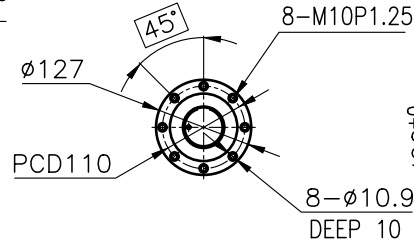
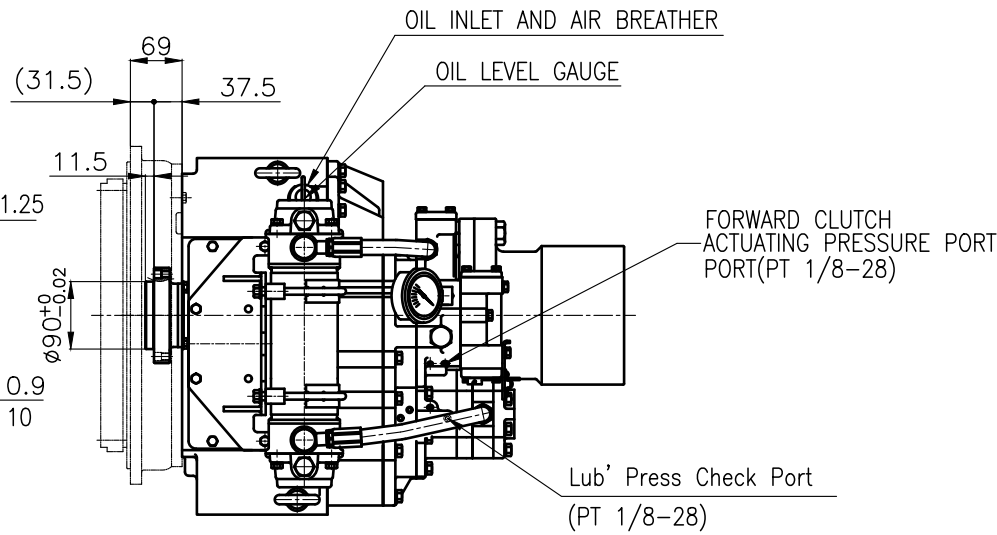


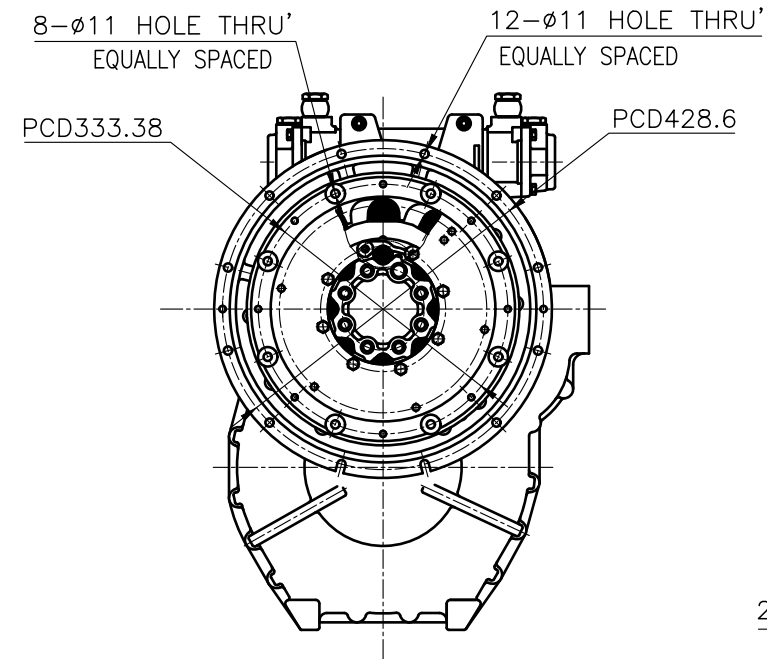
OUTPUT SHAFT COUPLING & PROPELLER COUPLING DIMENSION



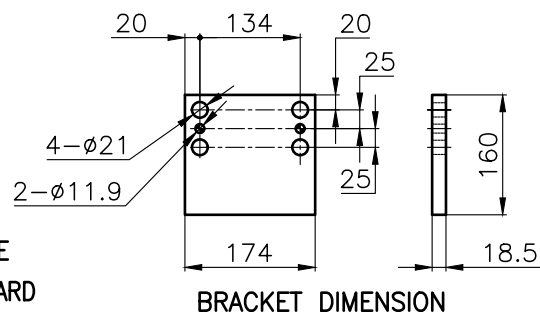
INPUT COUPLING DIMENSION



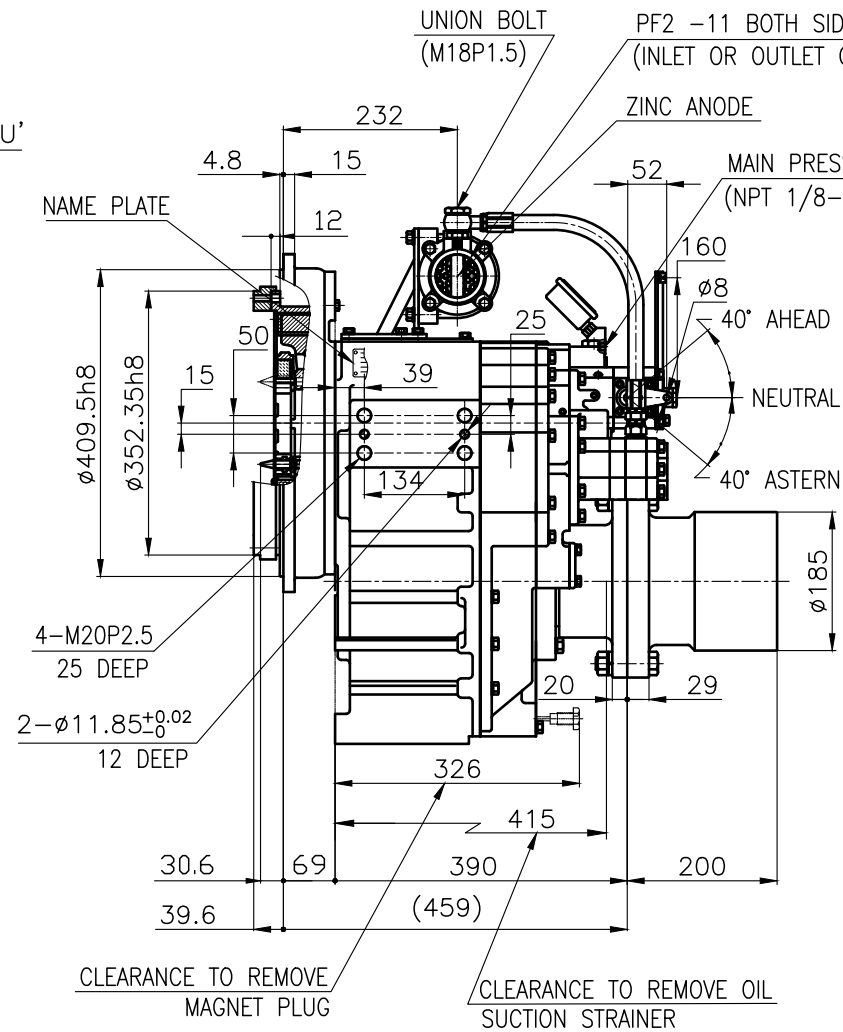
DMT 190H MARINE TRANSMISSION SPECIFICATION		
GEAR RATIO	1.83, 2.09, 2.52, 3.08, 3.43	
TOTAL WEIGHT	APPROX. 300 kg(DRY)	
OIL CAPACITY	APPROX. 5.5 L	
OIL VISCOSITY	SAE # 30	
OIL PRESSURE	1.96 ~ 2.54 MPa	CLUTCH OIL
DIRECTION OF ROTATION	INPUT	C.C.W VIEWED FROM THE STERN
	OUTPUT	C.W VIEWED FROM THE STERN
OIL CHANGE INTERVAL	THE FIRST 100HOURS OF INITIAL OPERATION AND EVERY 1000HOURS THEREAFTER	
SHIFTING LIMIT	UNDER 50% OF THE RATED ENGINE SPEED	
OIL COOLER	WATER FLOW 40 ~ 60L/min	
	TEMPERATURE OF COOLING WATER MAX 32°C	
OPERATING TORQUE OF SHIFTING LEVER	UNDER 2.94Nm	



- REMARK
- 1.HOUSING: SAE#3
  - 2.DRIVING RING: SAE 11.5"
  - 3.COUPLING TYPE : DUAL STAGE
  - 4.APPLICATION ENGINE : STANDARD

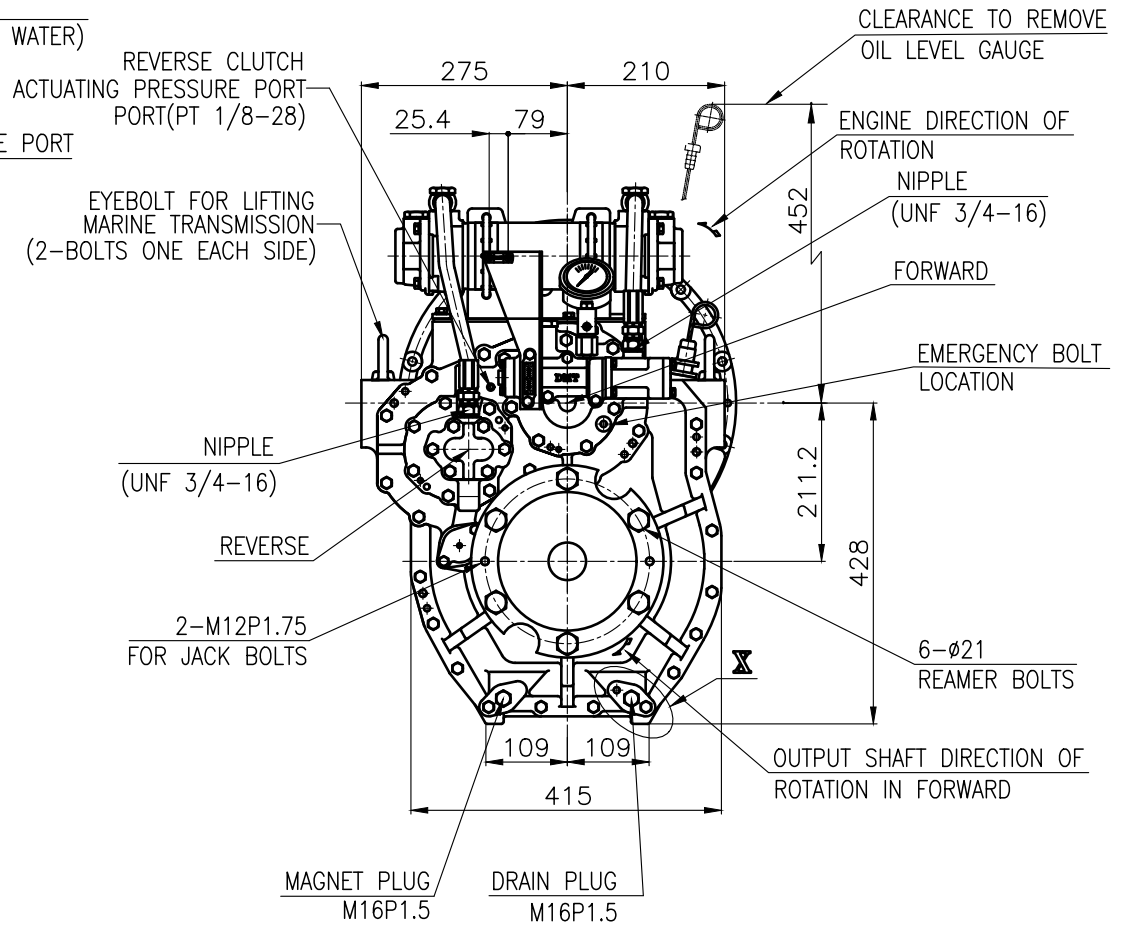
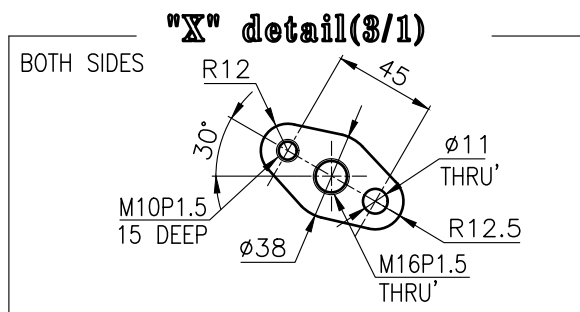


BRACKET DIMENSION



CLEARANCE TO REMOVE MAGNET PLUG

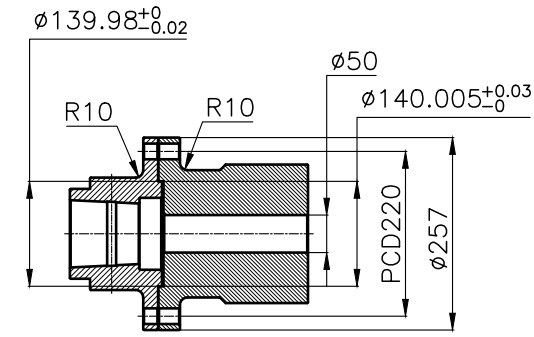
CLEARANCE TO REMOVE OIL SUCTION STRAINER



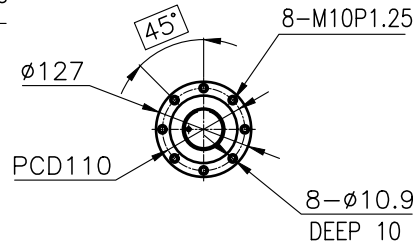
공통공차 TOLERANCE ON				번호 NO.	품 PART NO.	품 PART NAME	개수 QTY	재 MATERIAL	규 SIZE	비 REMARKS
분수 FRACTIONS	소수 DECIMALS	각도 ANGLES	±	제 MATERIAL	작성 DATE	척도 SCALE	형 식 TYPE	원도변 ORIGINAL DWG. NO.		
± 0.1	± 0.05	± 0.1	± 0.05	JK.Kim	2018.06.29	1/1	DMT190H			
± 0.3	± 0.2	± 0.1	± 0.05	TH.Cha			MARINE TRANSMISSION			
± 0.5	± 0.2	± 0.1	± 0.07	GH.Park						
± 0.7	± 0.3	± 0.1	± 0.1							
± 1.2	± 0.5	± 0.2	± 0.2							
± 2.0	± 0.8	± 0.3	± 0.3							

D-I INDUSTRIAL

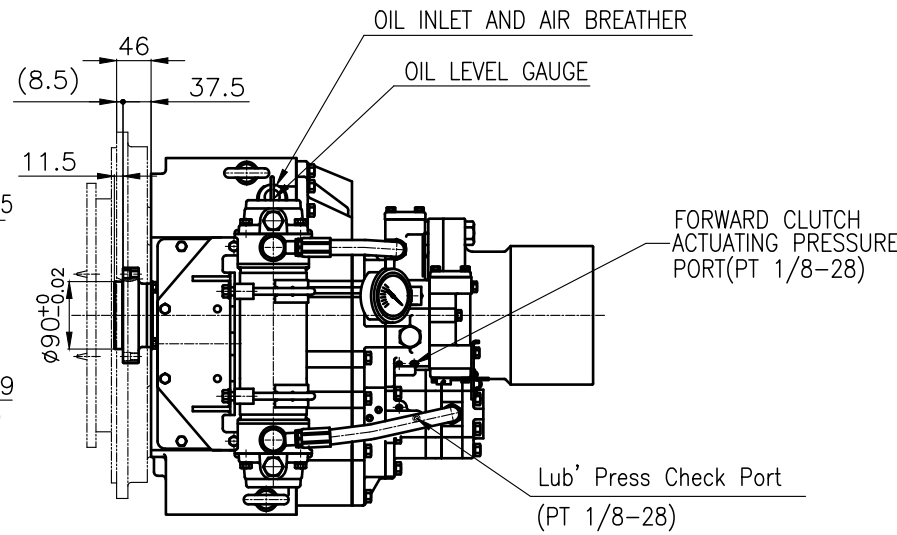
크기 SIZE A 8 코드 번호 CODE ID. NO.



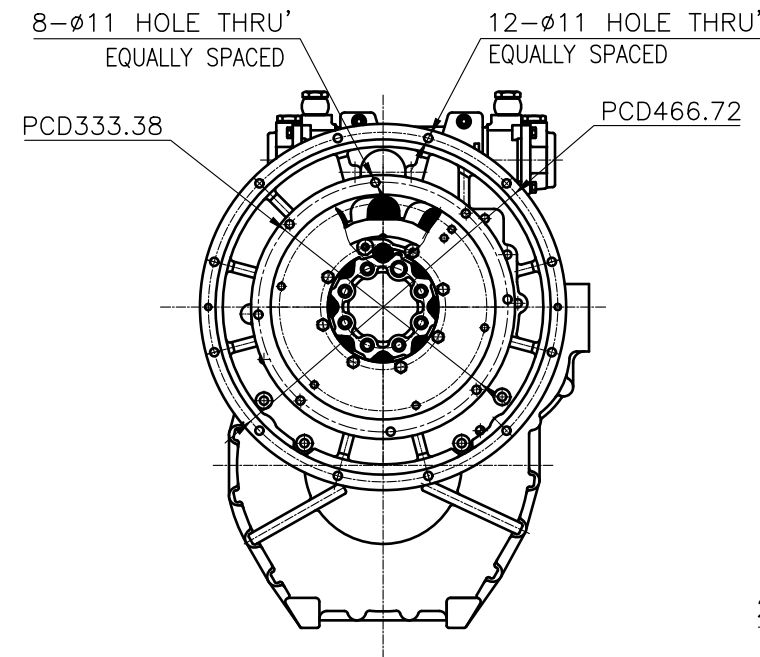
OUTPUT SHAFT COUPLING & PROPELLER COUPLING DIMENSION



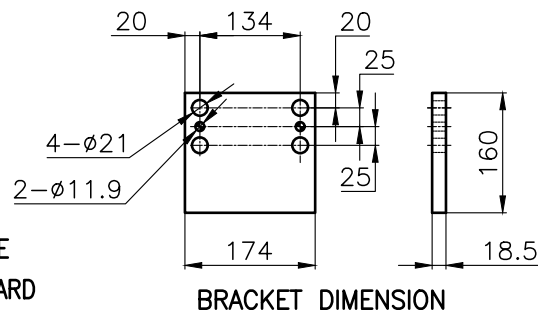
INPUT COUPLING DIMENSION



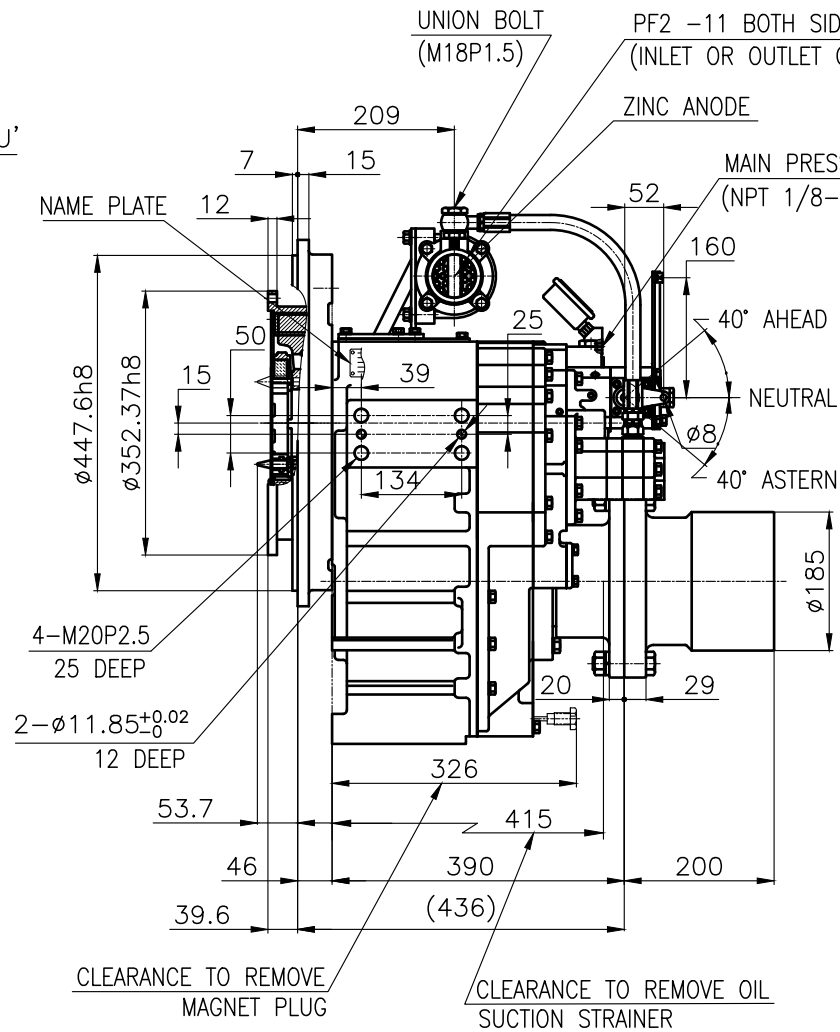
DMT 190H MARINE TRANSMISSION SPECIFICATION			
GEAR RATIO	1.83, 2.09, 2.52, 3.08, 3.43		
TOTAL WEIGHT	APPROX. 300 kg(DRY)		
OIL CAPACITY	APPROX. 5.5 L		
OIL VISCOSITY	SAE # 30		
OIL PRESSURE	1.96 ~ 2.54 MPa	CLUTCH OIL	
DIRECTION OF ROTATION	INPUT	C.C.W VIEWED FROM THE STERN	
	OUTPUT	C.W VIEWED FROM THE STERN	
OIL CHANGE INTERVAL	THE FIRST 100HOURS OF INITIAL OPERATION AND EVERY 1000HOURS THEREAFTER		
SHIFTING LIMIT	UNDER 50% OF THE RATED ENGINE SPEED		
OIL COOLER	WATER FLOW 40 ~ 60L/min		MAX 32°C
	TEMPERATURE OF COOLING WATER		
OPERATING TORQUE OF SHIFTING LEVER	UNDER 2.94Nm		



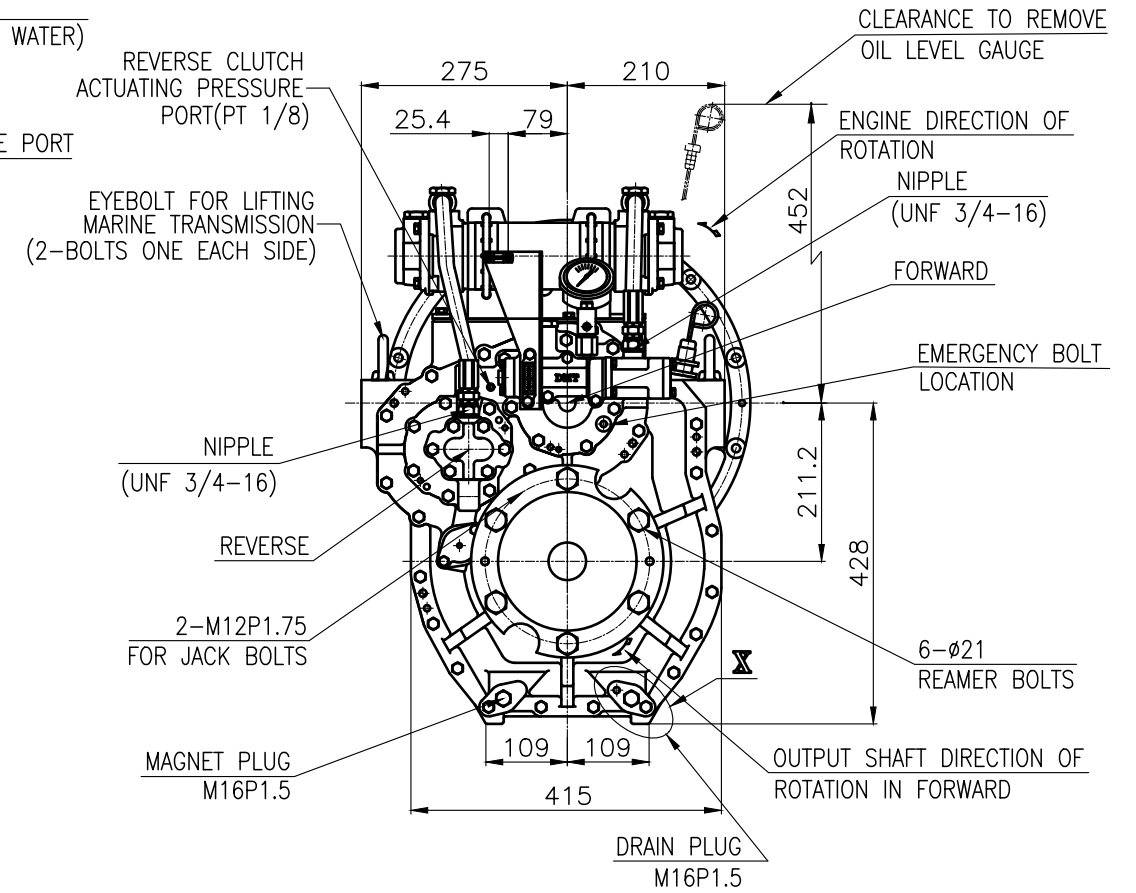
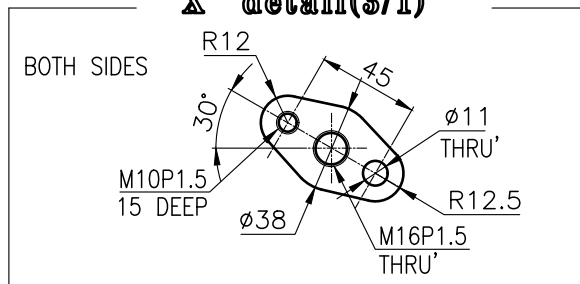
REMARK  
 1.HOUSING: SAE#2  
 2.DRIVING RING: SAE 11.5"  
 3.COUPLING TYPE : DUAL STAGE  
 4.APPLICATION ENGINE : STANDARD



BRACKET DIMENSION

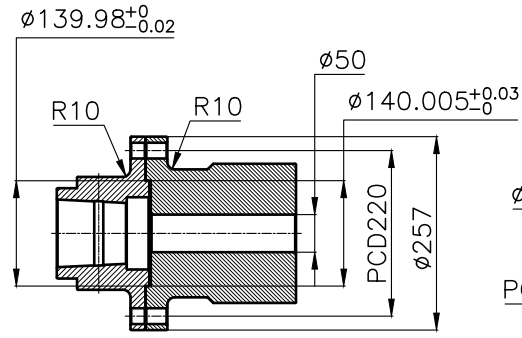


"X" detail(3/1)

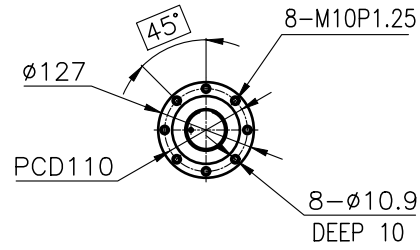


공통공차 TOLERANCE ON				PART NO.		PART NAME		계수	재질	규격	비고
분수	소수	각도	공차	번호	명칭	수량	소재	단위	비고	REMARKS	
±	±	±	±								
검사 가공				작성 DATE 2018.06.29		척도 SCALE 1/1		형식 TYPE DMT190H			
1 초과 4 이하 ±0.3 ±0.1 ±0.05				승인 APPROVED BY JK.Kim		검도 CHECKED BY TH.Cha		제도 DRAWN BJ.Moon		설계 DESIGNED	
4 16 ±0.5 ±0.2 ±0.07				16 63 ±0.7 ±0.3 ±0.1		63 250 ±1.2 ±0.5 ±0.2		250 1000 ±2.0 ±0.8 ±0.3		품명 NAME MARINE TRANSMISSION	
										도번 DWG. NO. 190000A~E-2115DC	
										개량(REV.) 000	
										크기 SIZE A 8	
										코드 번호 CODE ID. NO.	

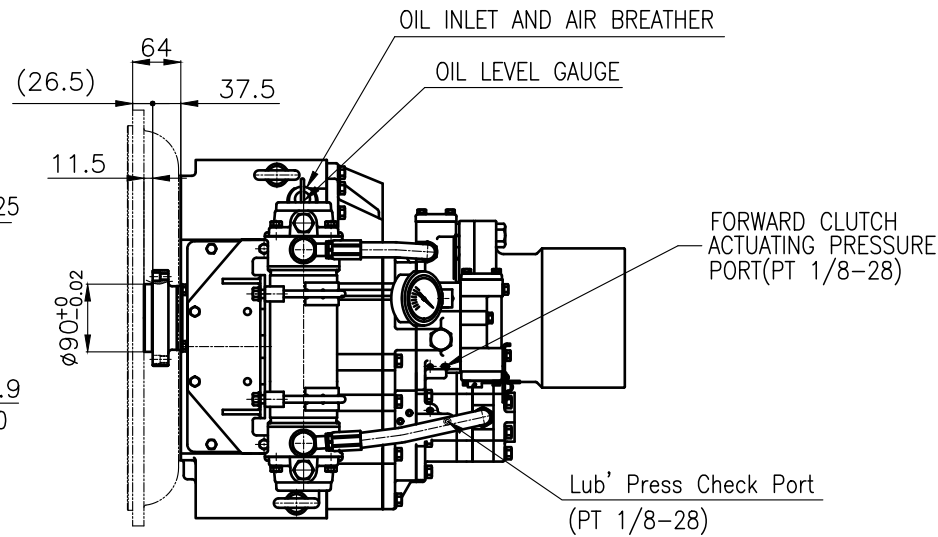
D-I INDUSTRIAL



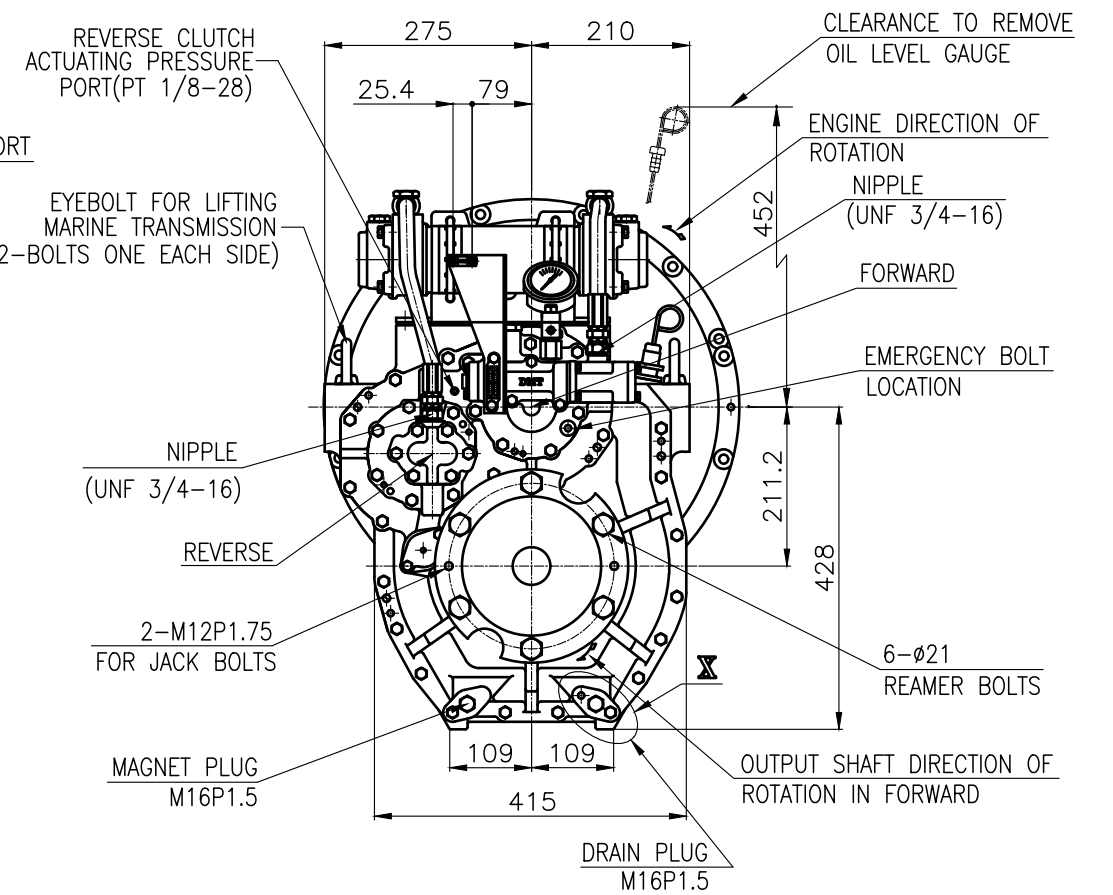
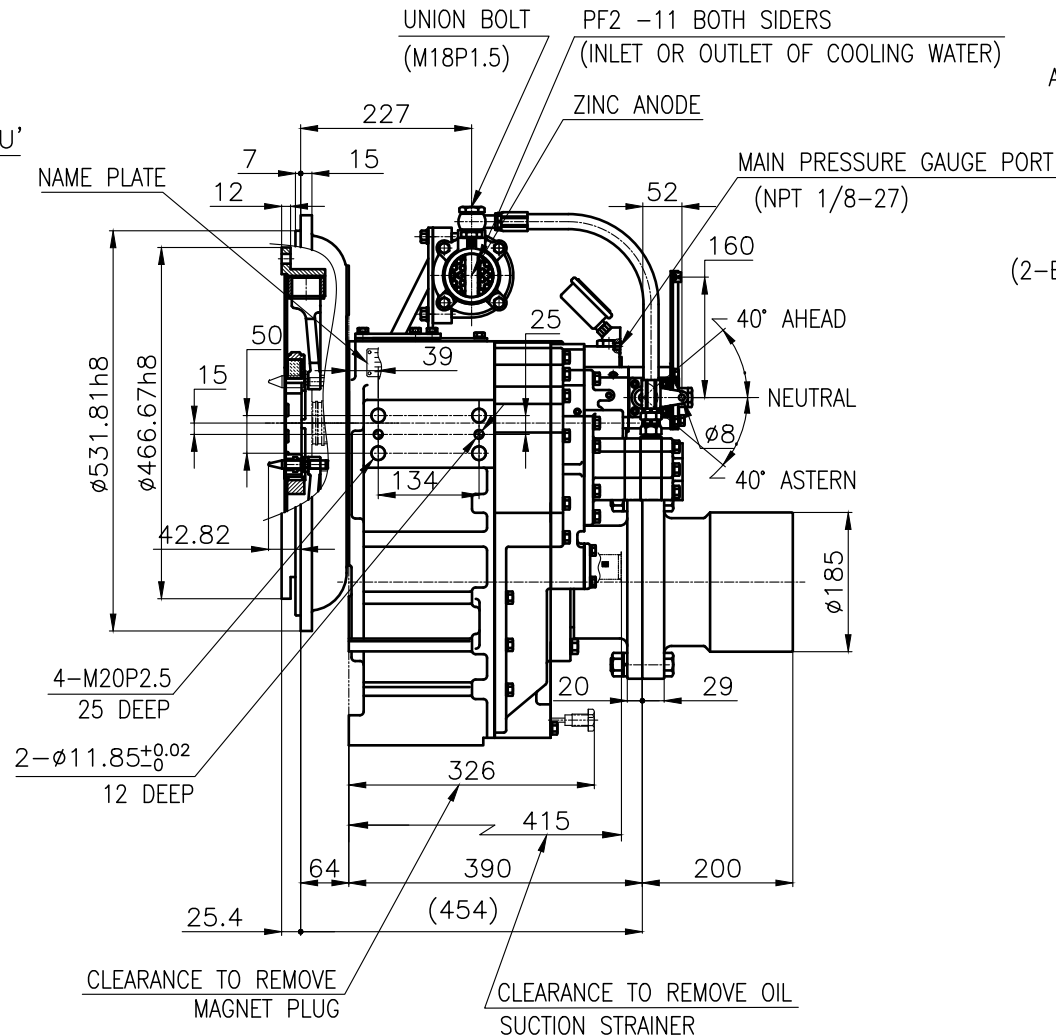
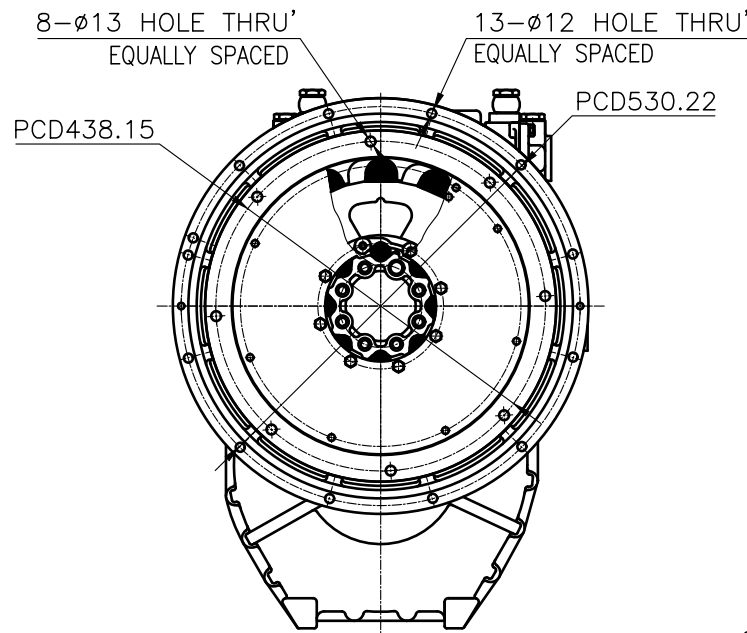
OUTPUT SHAFT COUPLING & PROPELLER COUPLING DIMENSION



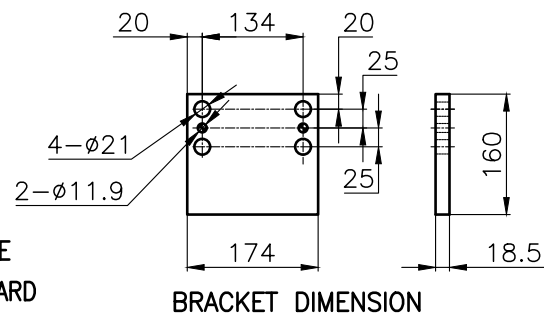
INPUT COUPLING DIMENSION



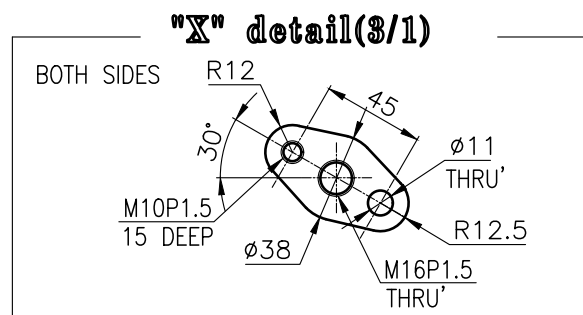
DMT 190H MARINE TRANSMISSION SPECIFICATION			
GEAR RATIO	1.83, 2.09, 2.52, 3.08, 3.43		
TOTAL WEIGHT	APPROX. 300 kg(DRY)		
OIL CAPACITY	APPROX. 5.5 L		
OIL VISCOSITY	SAE # 30		
OIL PRESSURE	1.96 ~ 2.54 MPa	CLUTCH OIL	
DIRECTION OF ROTATION	INPUT	C.C.W VIEWED FROM THE STERN	
	OUTPUT	C.W VIEWED FROM THE STERN	
OIL CHANGE INTERVAL	THE FIRST 100HOURS OF INITIAL OPERATION AND EVERY 1000HOURS THEREAFTER		
SHIFTING LIMIT	UNDER 50% OF THE RATED ENGINE SPEED		
OIL COOLER	WATER FLOW 40 ~ 60L/min		TEMPERATURE OF COOLING WATER MAX 32°C
	OPERATING TORQUE OF SHIFTING LEVER UNDER 2.94Nm		



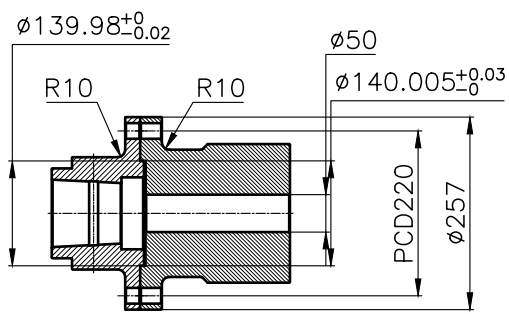
REMARK  
 1. HOUSING: SAE#1  
 2. DRIVING RING: SAE 14"  
 3. COUPLING TYPE : DUAL STAGE  
 4. APPLICATION ENGINE : STANDARD



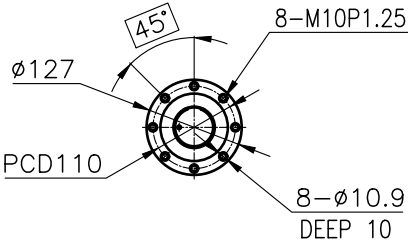
BRACKET DIMENSION



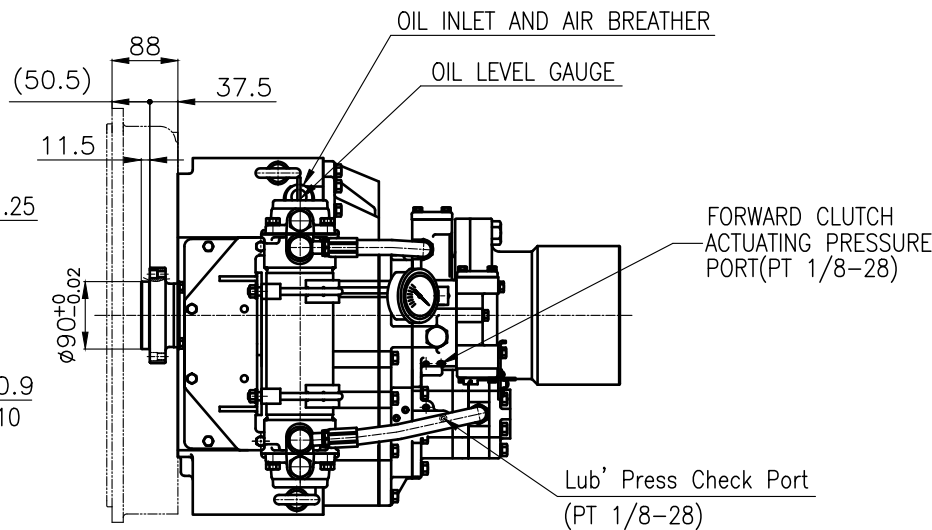
公差公差 TOLERANCE ON		번호 NO.	품 PART NO.	품 PART NAME	개수 QTY	재 MATERIAL	규 SIZE	비 REMARKS
분수 FRACTIONS	소수 DECIMALS	각도 ANGLES	재 MATERIAL			형 TYPE	도 ORIGINAL DWG. NO.	원도 ORIGINAL DWG. NO.
±	±	±	작 DATE 2018.06.29	척 SCALE 1/1	승 APPROVED BY	검 CHECKED BY	제 DRAWN	설 DESIGNED
1 초과 4 이하	± 0.3	± 0.1	JK.Kim	TH.Cha	BJ.Moon	DMT190H	190000A-E-114DC	000
4 16	± 0.5	± 0.2	D-I INDUSTRIAL			MARINE TRANSMISSION	000	000
16 63	± 0.7	± 0.3	D-I INDUSTRIAL			MARINE TRANSMISSION	000	000
63 250	± 1.2	± 0.5	D-I INDUSTRIAL			MARINE TRANSMISSION	000	000
250 1000	± 2.0	± 0.8	D-I INDUSTRIAL			MARINE TRANSMISSION	000	000



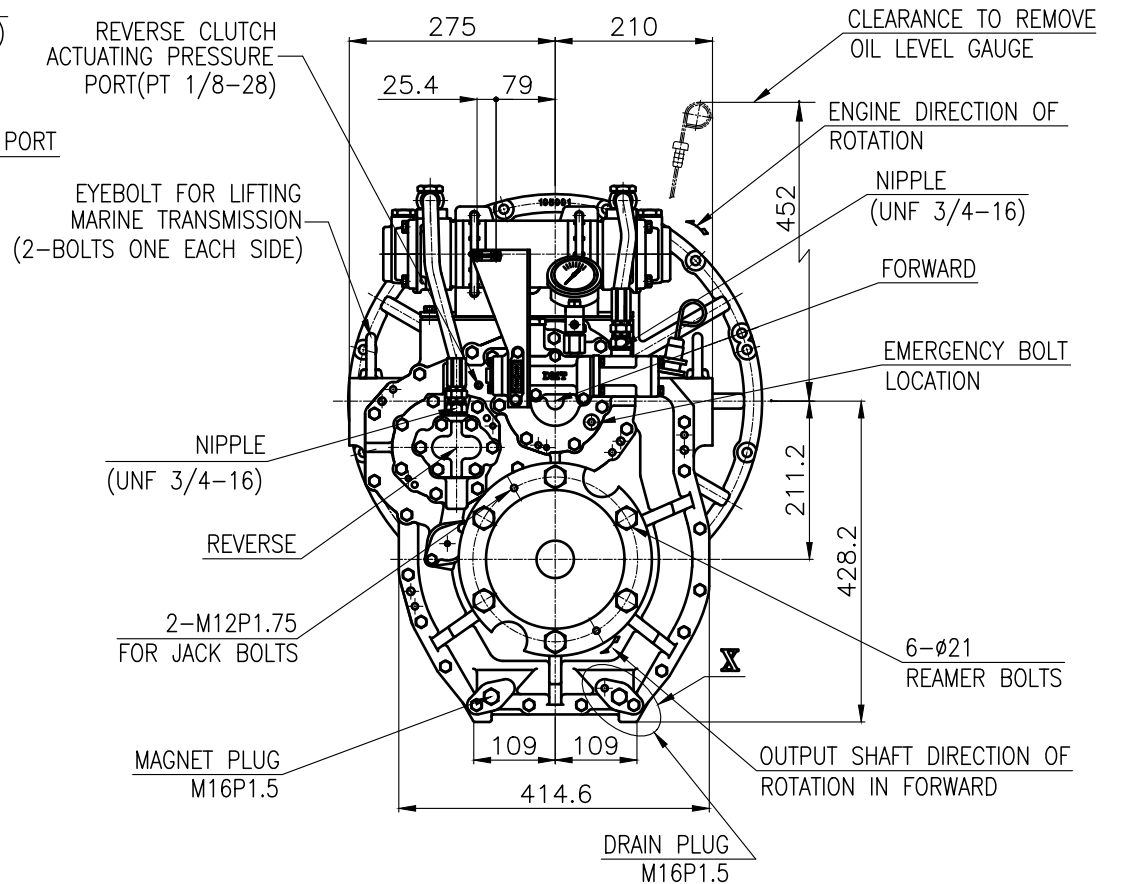
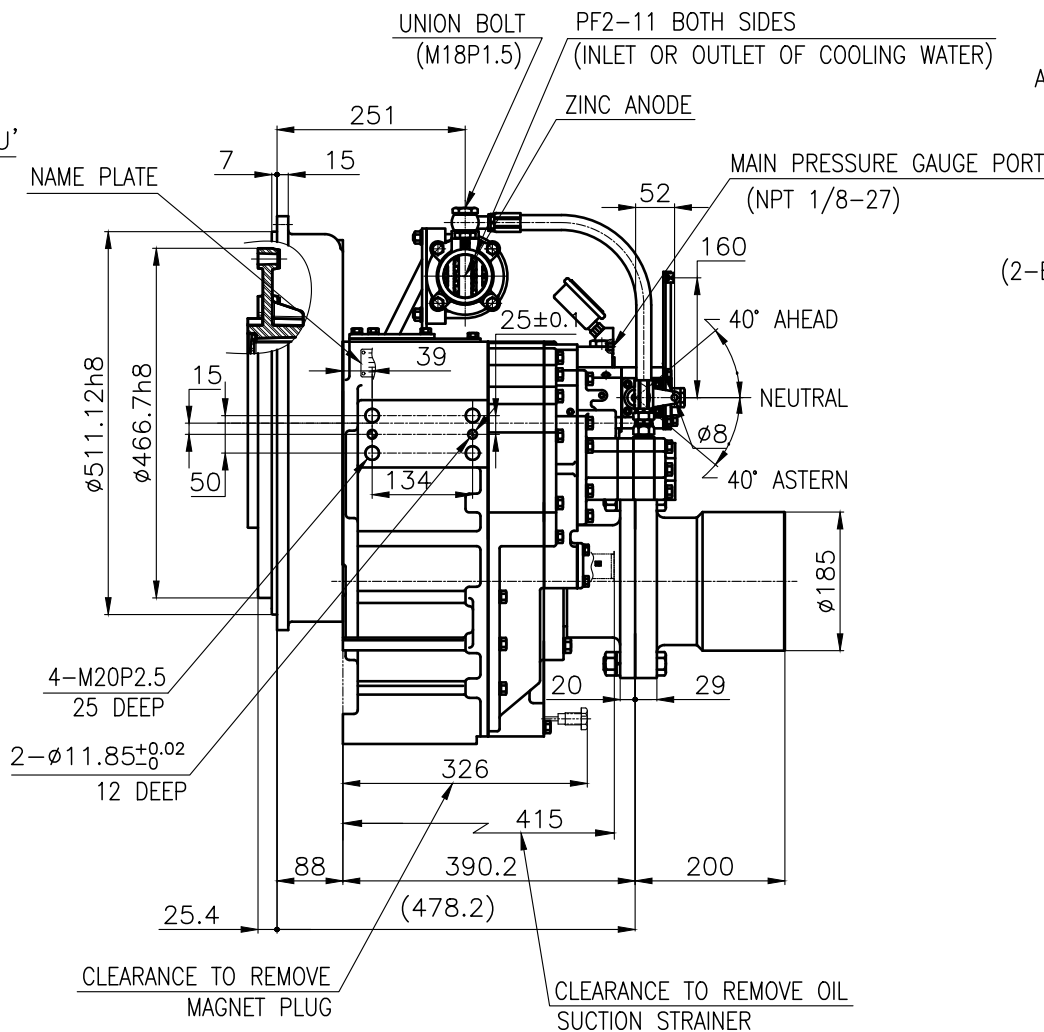
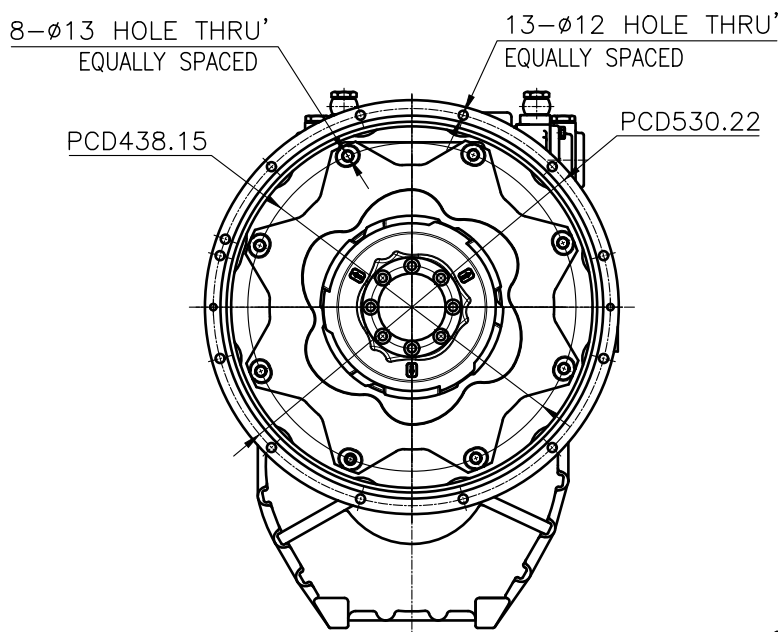
OUTPUT SHAFT COUPLING & PROPELLER COUPLING DIMENSION



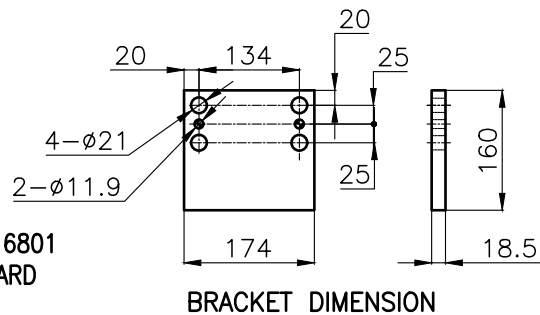
INPUT COUPLING DIMENSION



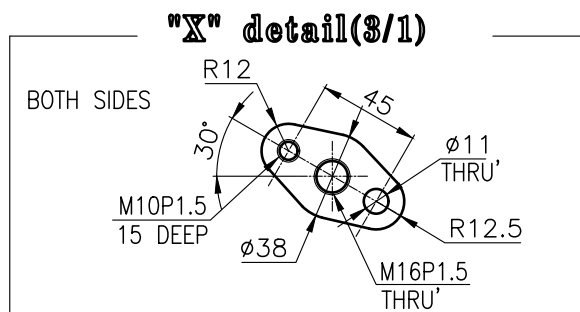
DMT 190H MARINE TRANSMISSION SPECIFICATION			
GEAR RATIO	1.83, 2.09, 2.52, 3.08, 3.43		
TOTAL WEIGHT	APPROX. 300 kg(DRY)		
OIL CAPACITY	APPROX. 5.5 L		
OIL VISCOSITY	SAE # 30		
OIL PRESSURE	1.96 ~ 2.54 MPa	CLUTCH OIL	
DIRECTION OF ROTATION IN FORWARD	INPUT	C.C.W VIEWED FROM THE STERN	
	OUTPUT	C.W VIEWED FROM THE STERN	
OIL CHANGE INTERVAL	THE FIRST 100HOURS OF INITIAL OPERATION AND EVERY 1000HOURS THEREAFTER		
SHIFTING LIMIT	UNDER 50% OF THE RATED ENGINE SPEED		
OIL COOLER	WATER FLOW 40 ~ 60L/min		TEMPERATURE OF COOLING WATER MAX 32°C
OPERATING TORQUE OF SHIFTING LEVER	UNDER 2.94Nm		



- REMARK
- HOUSING: SAE#1
  - DRIVING RING: SAE 14"
  - COUPLING TYPE  
-CENTA Flex Coupling : 77216801
  - APPLICATION ENGINE : STANDARD



BRACKET DIMENSION



공통공차 TOLERANCE ON				PART NO.		PART NAME		개수 QTY	재질 MATERIAL	규격 SIZE	비고 REMARKS
분수 FRACTIONS	소수 DECIMALS	각도 ANGLES	±	NO.	변	명					
±	±	±									
검사 가공				작성 DATE 2018.06.29		척도 SCALE 1/1		형식 TYPE		DMT190H	
1 초과 4 이하 ±0.3 ±0.1 ±0.05				승인 APPROVED BY JK.Kim		검토 CHECKED BY TH.Cha		품명 NAME		MARINE TRANSMISSION	
4 16 ±0.5 ±0.2 ±0.07				도면 DWG. NO.		190000A~E-114CFR		도번		000	
16 63 ±0.7 ±0.3 ±0.1				크기 SIZE		A 3		코드 번호 CODE ID. NO.			
63 250 ±1.2 ±0.5 ±0.2				D-I INDUSTRIAL							
250 1000 ±2.0 ±0.8 ±0.3											