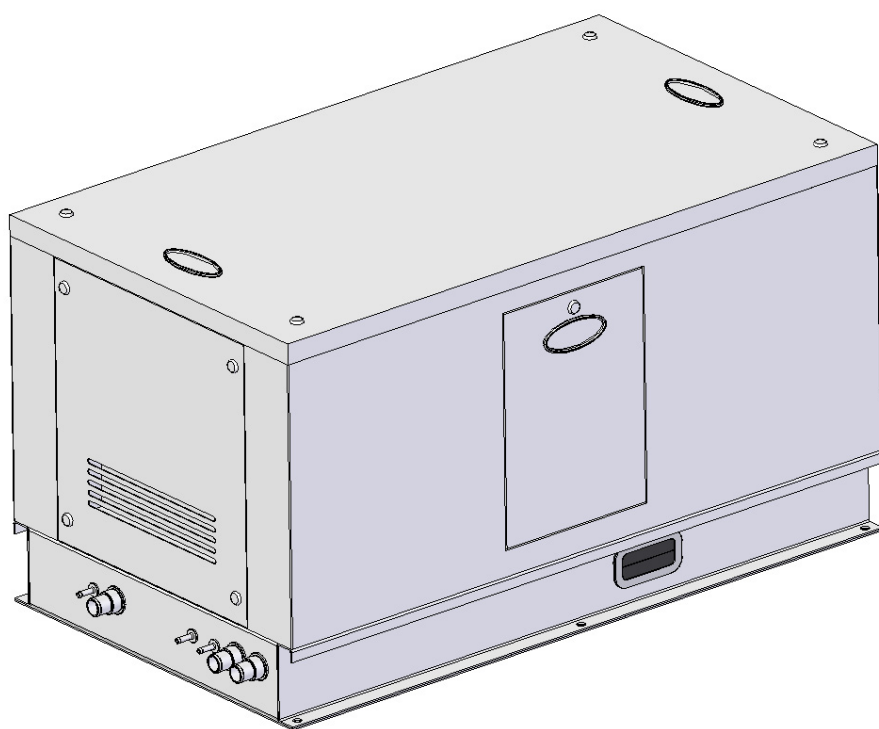


INSTRUCTIONS MANUAL, GENSET

G-20T-15 / G-20M-15
(OPTIONAL: CANOPY VERSION)



Sole Diesel
MARINE GENSETS



This engine instructions manual is also available in
the following languages

ENG

This operator's manual is available in English.
Part no. **03917101G.ENG**

Download from our web page **www.solediesel.com**
or order to **oftec@solediesel.com**

SP

Este manual de instrucciones puede solicitarse en español.
Ref. 03917101G.SP

Descargar desde nuestra web **www.solediesel.com**
o pedir a través mail **oftec@solediesel.com**

"Solé S.A. seeks for the constant improvement of its final products, for that reason the design, description, dimension, configuration and other technical specifications herein, appear just as an informative note that can not be understood as a binding offer referred to the final product. The technical specifications and presentations are subject to variations and modifications without being obliged to proceed with any previous notice".

CONTENTS

0. INTRODUCTION	ENG-1
0.0 FOREWORD	
0.1 USING THE INSTRUCTION MANUAL	
0.1.1 IMPORTANCE OF THE MANUAL	
0.1.2 CONSERVING THE MANUAL	
0.1.3 CONSULTING THE MANUAL	
0.1.4 SYMBOLS IN THE MANUAL	ENG-2
1. GENERAL INFORMATION	ENG-3
1.1 ENGINE MANUFACTURER'S IDENTIFICATION DATA	
1.2 INFORMATION REGARDING TECHNICAL ASSISTANCE / MAINTENANCE OF THE ENGINE	
1.3 GENERAL SAFETY NOTICES	
1.3.1 INFORMATION REGARDING RESIDUAL RISKS	ENG-4
1.3.2 SAFETY REGULATIONS	
2. PRELIMINARY INFORMATION ON THE ENGINE	ENG-5
2.1 GENERAL DESCRIPTION	
2.2 COOLING CIRCUIT	
2.2.1 COOLING CIRCUIT	
2.2.2 "SEAWATER" COOLING CIRCUIT	ENG-6
2.3 LUBRICATION CIRCUIT	
2.3.1 ENGINE	
2.4 FUEL CIRCUIT	ENG-7
2.4.1 INJECTION PUMP	
2.5 ELECTRICAL PLANT	
2.5.1 ELECTRICAL PLANT AND INSTRUMENT PANEL	
2.6 TECHNICAL SPECIFICATIONS	ENG-9
2.6.1 ENGINE DIMENSIONS	ENG-10
2.7 GENERAL INFORMATION	ENG-12
3. TRANSPORT, HANDLING AND STORAGE	ENG-13
3.0 GENERAL WARNINGS	
3.1 PACKING AND UNPACKING	
3.1.1 PACKING AND UNPACKING WITH PALLET AND WOODEN CRATE	
3.1.2 PACKING AND UNPACKING WITH PALLET AND SKELETON CRAT	
3.1.3 PAKING AND UNPACKING WITH ENGINE MOUNTING FIXTURE AND PLASTIC PACKAGIN	
3.2 RECEIPT	
3.2.1 PACKING LIST	ENG-14
3.3 TRANSPORT AND HANLING THE PACKED ENGINE	
3.4 TRANSPORT AND HANDLING OF THE UNPACKED ENGINE	
3.5 STORAGE OF PACKED AND UNPACKED ENGINE	
4. INSTALATION	ENG-15
4.0 GENERAL WARNINGS	
4.1 ASSEMBLY DATA	
4.2 ENGINE SUPPLIES	ENG-16
4.2.1 CHANGING OIL	
4.2.1.1 CHANGING ENGINE SUMP OIL	
4.2.2 FILLING THE COOLING CIRCUIT	ENG-17
4.2.3 REFUELING	ENG-18
4.3 INSTALLATION	
4.4 INDICATIONS FOR REMOVAL / DISPOSAL OF WASTE MATERIAL	

CONTENTS

5. PREPARING THE ENGINE FOR USE	ENG-19
5.0 GENERAL WARINGS	
5.1 INSTRUCTIONS FOR FIRST STARTING	
5.1.1 BLEEDING AIR FROM THE FUEL SUPPLY SYSTEM	ENG-20
5.2 PRELIMINARY RUNNING TEST	
5.2.1 NO-LOAD RUNNING TEST	
5.2.2 RUNNING – IN	
6. USING THE ENGINE	ENG-21
6.0 GENERAL WARINGS	
6.1. STARTING THE ENGINE	
6.2. STOPPING THE ENGINE	ENG-22
6.3 USING THE ENGINE INFREQUENTLY	
6.4 OPERATING THE ENGINE AT LOW TEMPERATURES	
6.5 CONSERVATION	ENG-23
6.6 LONG INACTIVITY INSTRUCTIONS	
6.7 RESTORATION OF THE RUNNING CONDITIONS	
7. REPAIR AND MAINTENANCE	ENG-24
7.0 GENERAL WARNINGS	
7.1 TYPE AND FREQUENCY OF INSPECTIONS AND MAINTENANCE INTERVENTIONS	
7.2 OPERATION DESCRIPTION	ENG-26
7.3 TROUBLE SHOOTINGS	ENG-30
8. ADDITIONAL INSTRUCTIONS	ENG-31
8.0 ADDITIONAL INSTRUCTIONS	
8.1 ISNTRUCTIONS FOR DECOMMISSIONING, SCRAPPING AND DISPOSAL	
8.2 DERATING OF ENGINE DUE TO FUEL AND COMBUSTIO PROPERTIES	
9. TECHNICAL ANNEXES	ENG-33
9.0 OIL SPECIFICATIONS	
9.0.1 ENGINE OIL TO BE USED	
9.1 ESPECIFICATIONS FOR ENGINE INSTALLATION	
9.3 FUEL INJECTION TIMIMG	

0. INTRODUCTION

0.0 FOREWORD

Dear client:

The SOLÉ S.A. engine you have purchased is a product of the highest technological quality. Our Service SOLÉ DIESEL department has recently been strengthened to ensure even better service for all our clients. Reliable duty and long life of the engine you have purchased can only be guaranteed if exclusively original spare parts are used, and ensure that the unit is serviced by our specialized personnel.

We therefore recommend that you insist on having your SOLÉ S.A. engine serviced EXCLUSIVELY by our Service SOLÉ DIESEL Department. If engines manufactured by SOLÉ S.A. are serviced by unauthorised technicians, or if non-original spare parts are utilized, ALL GUARANTEE AND TECHNICAL ASSISTANCE OBLIGATIONS OF SOLÉ S.A. WILL BE INVALIDATED.

We are confident that you will understand the importance of these recommendations, which are made for purely technical reasons and serve to defend our clients and ensure their full satisfaction with our products.

Please get in touch with us for any requirements you may have. Best regards.

0.1 USING THE INSTRUCTION MANUAL

0.1.1 IMPORTANCE OF THE MANUAL

This INSTRUCTION MANUAL is your guide to the USE and MAINTENANCE of the engine you have just purchased. We strongly recommend that you follow all the advice in the manual meticulously, because the correct operation and lasting reliability of the engine depend on its correct use and the methodical application of the programmed maintenance operations illustrated in these pages.

If you run into difficulties or setbacks, Service SOLÉ DIESEL department will be proud to provide you with the necessary advice and assistance.

This INSTRUCTION MANUAL is an integral part of the product you have acquired. Please conserve it in a safe place for the full working life of the engine.

SOLÉ S.A. reserves the right to make changes aimed at improving its products without any form of prior notification. Please ensure that you enclose with the original publication of the present manual any amendments or updates that you may receive.

Pass on this manual to all users of the engine or future owners.

0.1.2 CONSERVING THE MANUAL

When using the manual make sure that it is not damaged or defaced. Do not remove or rewrite any parts of the manual for any reason. Conserve the manual in a dry and heat protected place.

0.1.3 CONSULTING THE MANUAL

This instruction manual comprises:

- COVER PAGE WITH INDICATION OF THE FAMILY TO WHICH YOUR ENGINE BELONGS. The cover page shows the model of the engine described in the manual.
- TABLE OF CONTENTS. Use the contents page to find the page containing information relative to a given argument.
- INSTRUCTIONS AND/OR NOTES ABOUT THE PRODUCT. All the INSTRUCTIONS AND/OR NOTES ON THE PRODUCT are designed to define safety practices, proper procedures and the skills required for correct operation of the engine.

The annexes at the end of this manual are an integral part of the same. Please note that the illustrations in the manual, which have been included to help you identify the parts described in the text, show standard or prototype engines and may therefore differ, in some respects, from the engine in your possession.

0.1.4 SYMBOLS IN THE MANUAL

The Safety symbols and notices shown below are used throughout this publication to draw the user's attention to situations or hazardous procedures that could damage the engine or cause personal injury, and to indicate suitable practices to assure the correct operation of the engine.



GENERAL OPERATIONAL NOTE



PROTECT YOUR HANDS (GLOVES)

Prescription-Indication notices (rectangular); it is obligatory to adopt the protective measures shown in the notices to perform the operation in question in total safety³



PROTECT YOUR EYES (SAFETY GLASSES)



PROTECT RESPIRATORY PASSAGES (MASK)



DANGER!, (GENERAL DANGERSITUATION FOR THE SAFETY OF ANYONE AND PROTECTION OF THE ENGINE)

Danger Warning-Attention Notices (triangular); General Attention regarding personal safety and protection of the engine.



DANGER!, (DANGER OFELECTRICAL DISCHARGES FOR THE SAFETY OF PERSONS AND ENGINE)



DANGER!, (DANGER FROM SOURCES OF HEAT FOR THE SAFETY OF ANYONE AND THE ENGINE)



THE OPERATION INDICATED IN THE TEXT IS STRICTLYPROHIBITED

Prohibition notices (circular) indicating potentially hazardous situations for personal safety.



IT IS ABSOLUTELY PROHIBITED TO PERFORMMAINTENANCE WORK IN THE PRESENCE OF MOVING PARTS



REMOVING OR TAMPERING WITH SAFETY DEVICES ISSTRICTLY PROHIBITED



PAY ATTENTION TO SYMBOLS AND OBSERVE THE INSTRUCTIONS IN THE ADJACENT TEXT

1. GENERAL INFORMATION

1.1 ENGINE MANUFACTURER'S IDENTIFICATION DATA

MANUFACTURER:

SOLÉ, S.A.
Ctra. de Martorell a Gelida, km 2
08760 MARTORELL
(BARCELONA) SPAIN

MODEL:

TRADE DESIGNATION:

G20T15 (MINI-62 @ 1500 rpm)
G20M15 (MINI-62 @ 1500 rpm)

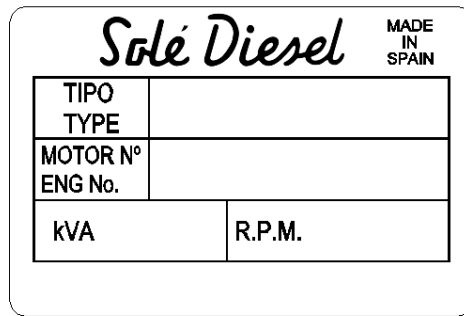
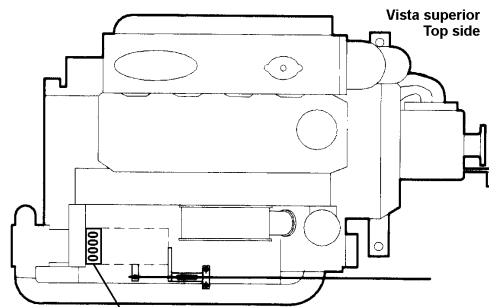


Fig. 1.1



The above data can be quickly identified in the fol

- Engine nameplate showing identification data (see Fig. 1.1)
- Markings stamped on the engine showing serial number (see Fig. 1.2)

1.2 INFORMATION REGARDING TECHNICAL ASSISTANCE / MAINTENANCE OF THE ENGINE

Our after sale service is at your complete disposal to solve any problems that may arise or to supply any information you may need. For ANY explanations refer to the "SERVICE SOLÉDIESEL" address booklet.

Optimal operation and efficiency of your new SOLÉDIESEL engine can only be guaranteed if original spare parts are used.

For "GUARANTEE" terms refer to the "GUARANTEE CARD".

1.3 GENERAL SAFETY NOTICES

The engine is designed and built as a power unit for generating mechanical energy: ALL USES OTHER THAN THE PRESCRIBED APPLICATION AUTOMATICALLY RELEASE SOLÉ S.A. FROM LIABILITY FOR DAMAGES THAT MAY ENSUE, in any event, the use of products other than those agreed upon at the time of purchase, RELEASES SOLÉ S.A. FROM ALL LIABILITY FOR DAMAGE TO THE ENGINE OR PROPERTY OR INJURY TO PERSONS.

Although the engine is built in compliance with the most recent safety standards it is advisable to bear in mind that moving parts are always potentially dangerous. Therefore, never attempt to work on parts of the engine while they are in motion and make sure that there are no persons in the vicinity of the engine before starting it.

The standard engine can run at ambient temperatures between -18 °C a +45 °C.

The operator in charge of installing and maintaining the engine must wear suitable CLOTHING for the workplace and the situation; in particular, avoid loose clothes, chains, bracelets, rings and all other accessories that could become entangled with moving parts..

The area in which the operator is working must be kept tidy and free of oil and other liquid spillages and solid waste (metal chips, etc.).

Solé Diesel
ENG - 3

03917101G.ENG rev. 0

Before starting work the operator must be aware of the position and operation of all commands and the characteristics of the engine; make a daily check of the safety devices on the engine. Disabling or tampering with the safety devices on the engine is strictly prohibited. Do not attempt to perform maintenance work adjustments or reset tings on moving parts on the engine; before performing any of the above operations disconnect the electrical supply to ensure that no other persons can start the engine up in the meantime.

Do not alter any parts of the engine (for example connections, holes, finishes, etc.) to adapt it to the installation of extra equipment or for any other reason; THE RESPONSIBILITY FOR ANY TYPE OF INTERVENTION NOT EXPRESSLY AUTHORISED IN WRITING BY SOLÉ S.A. BELONGS TO THE ONE WHO DEVELOPES SUCH WORK.

SOLÉ S.A. DECLARES THAT THE ENGINE CHARACTERISTICS ARE COMMENSURATE WITH THE PARAMETERS PERMITTED BY ESTABLISHED LAW REGULATIONS REGARDING THE EMISSION OF:

- AIRBONE NOISE
- POLLUTING EXHAUST GAS

WHEN USING THE MOTOR IN A CLOSED ENVIRONMENT THE EXHAUST FUMES MUST BE CONVEYED OUTSIDE.

1.3.1 INFORMATION REGARDING RESIDUAL RISKS

The engine must be used in compliance with the manufacturer's prescriptions (technical specifications, safety regulations, etc.). Any modifications you make be previously authorized by the Manufacturer. If you use the engine beyond its application limits and alter in any way the characteristics that are the responsibility of SOLÉ S.A., such use shall be considered improper and SOLÉ S.A. declines all liability for the consequences (see notes regarding intended use in General Safety Notices 1.3).



DO NOT TAMPER WITH OR MODIFY ANY MECHANICAL OR ELECTRICAL COMPONENTS OF THE ENGINE WITHOUT PRIOR WRITTEN AUTHORISATION FROM THE MANUFACTURER

1.3.2 SAFETY REGULATIONS



IT'S STRICTLY PROHIBITED TO PERFORM MAINTENANCE WORK WHILE THERE ARE ENGINE PARTS MOVING.



IT'S STRICTLY PROHIBITED TO REMOVE OR TAMPER WITH THE SAFETY DEVICES



WHEN THE ENGINE IS RUNNING IT IS STRICTLY PROHIBITED TO TOUCH ANY PART OF IT



ALWAYS PROTECT THE HANDS WITH SAFETY GLOVES AND HEAT RESISTANT CLOTHING WHEN WORKING ON A HOT ENGINE



PROTECT THE RESPIRATORY PASSAGES WHEN WORKING IN THE VICINITY OF ENGINE EXHAUST GAS

2. PRELIMINARY INFORMATION ON THE ENGINE

2.1 GENERAL DESCRIPTION

Direction of rotation: clockwise observing engine from side opposite flywheel.

Timing: pushrod and rocker arm with gear driven camshaft in crankcase.

Air supply: air cleaning by means of a dry-type air filter.

Fuel system: by diaphragm pump.

Combustion system: Swirl chamber (IDI)

Cycle: diesel 4 stroke.

Cooling: forced water circulation controlled by centrifugal pump with thermostatic control and heat exchanger. Cooled exhaust collector.

Injection pump: Type VE (for engine part no. 171.20.000.2, serial number > 58182).

Lubrication: forced-feed lubrication by gear-pump.

Electrical system: 12V.

Alternator (50A)

Starter motor (2.2 kW)

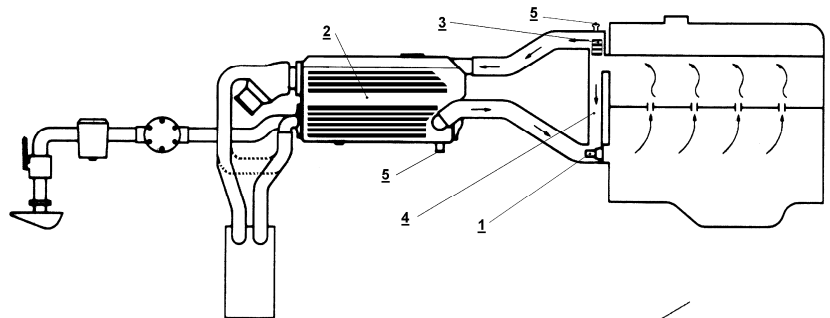
2.2 COOLING CIRCUIT

2.2.1 COOLING CIRCUIT (Fig. 2.1)



use anti-freeze coolant liquid as indicated in section 4.2.2 of this manual

- 1) Water pump
- 2) Water cooler
- 3) Thermostat
- 4) Bypass pipe
- 5) Boiler connections (Optional)



Thermostat valve operating values:

MINI-62 / 62L / 62G	
Start opening	+76.5 °C
End opening	+90 °C

CIRCUIT CAPACITY (LIT.)	
MINI-62	9.50

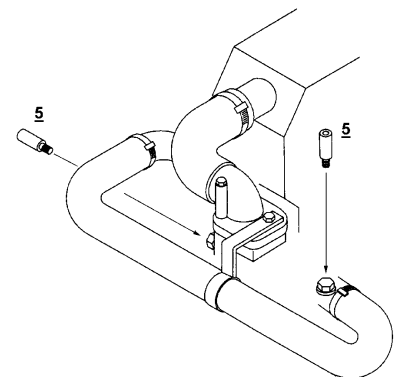


Fig. 2.1

Sole Diesel

ENG - 5

03917101G.ENG rev. 0

2.2.2 "SEAWATER" COOLING CIRCUIT (Fig. 2.2)

- 0) Bottom cock
 - 1) Intake connection with water filter
 - 2) Water pump
 - 3) Water / Water cooler
 - 4) Wet exhaust elbow
 - 5) Gear box cooler
- (only for propulsion engine, not genset version)

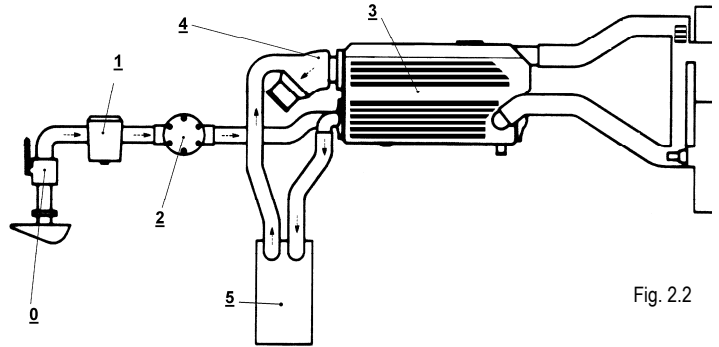


Fig. 2.2

2.3 LUBRICATION CIRCUIT

2.3.1 ENGINE

Lubrication is forced with a lobe pump and total filtration of the oil pumped to the various lube points on the engine. The oil is forced by the pump through a control valve to the filter, the engine main bearings and, by way of external pipelines, to the rocker arms. Also, read the heading 9.2.

Oil circuit pressure (with hot engine):

min / 800 rpm = 1.0 bar
 máx / 2600-3000 rpm = 2 - 4 bar

ENGINE TYPE	CAPACITY (1)	CAPACITY (2)
MINI - 62	5.5 liters	6.5 liters

- (1) without change oil filter (only change oil)
- (2) Total capacity. When the oil and the oil filter are changed.

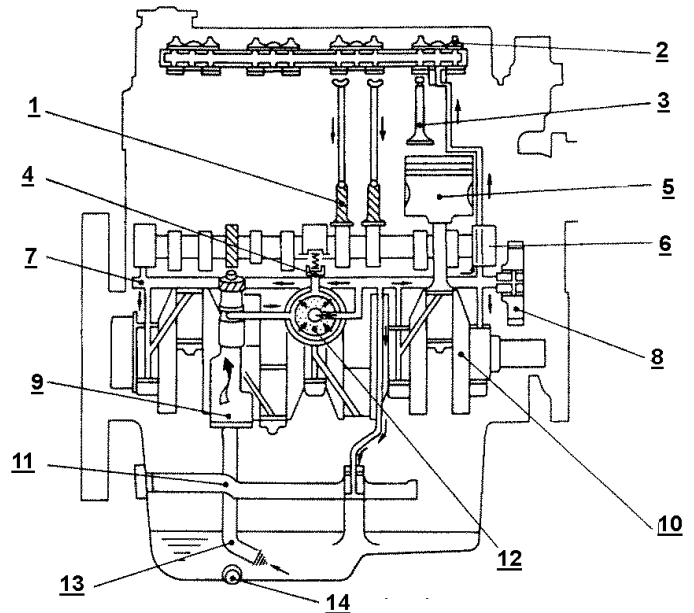


Fig. 2.3.1

(1) Valve push rod	(8) Timing gear
(2) Valve mechanism	(9) Oil pump
(3) Valve	(10) Crankshaft
(4) Pressure relief valve	(11) Balancer shaft
(5) Piston	(12) Oil filter
(6) Camshaft	(13) Oil strainer
(7) Main gallery	(14) Drain plug

2.3.2 GENERATOR, LUBRICATION



Read its Service Manual attached.

2.4 FUEL CIRCUIT

(1) Fuel injection

Model	Quantity
MINI-62	4

- (2) Fuel injection pipe
 (3) Fuel leak - off pipe
 (4) Injection pump
 (5) Priming pump.
 (6) Fuel filter
 (7) Tank

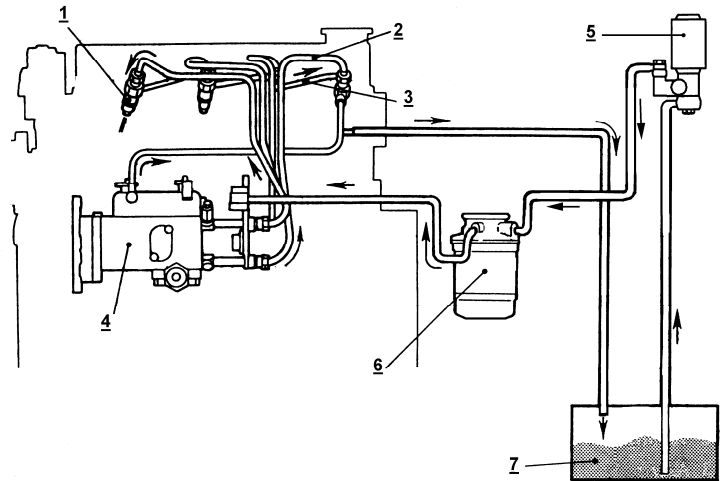


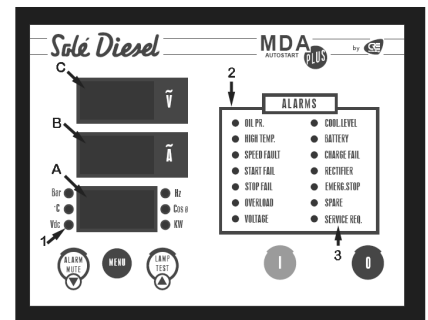
Fig. 2.4

2.4.1 INJECTION PUMP

Circuit pressure: 0.3 / 0.4 bar
 Injection pressure: = 120 ± 10 bar

2.5 ELECTRICAL PLANT

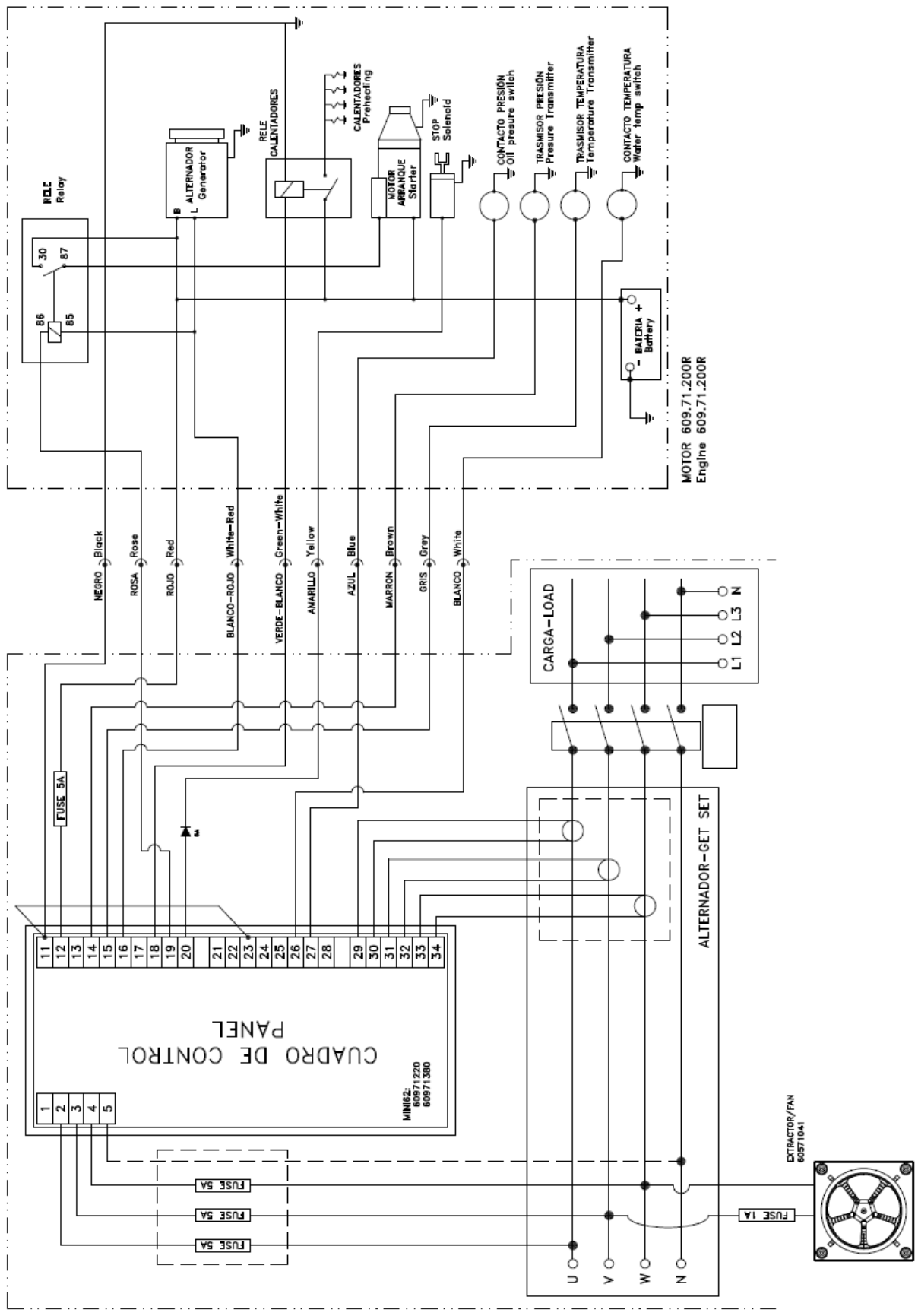
2.5.1 ELECTRICAL PLANT AND INSTRUMENT PANEL



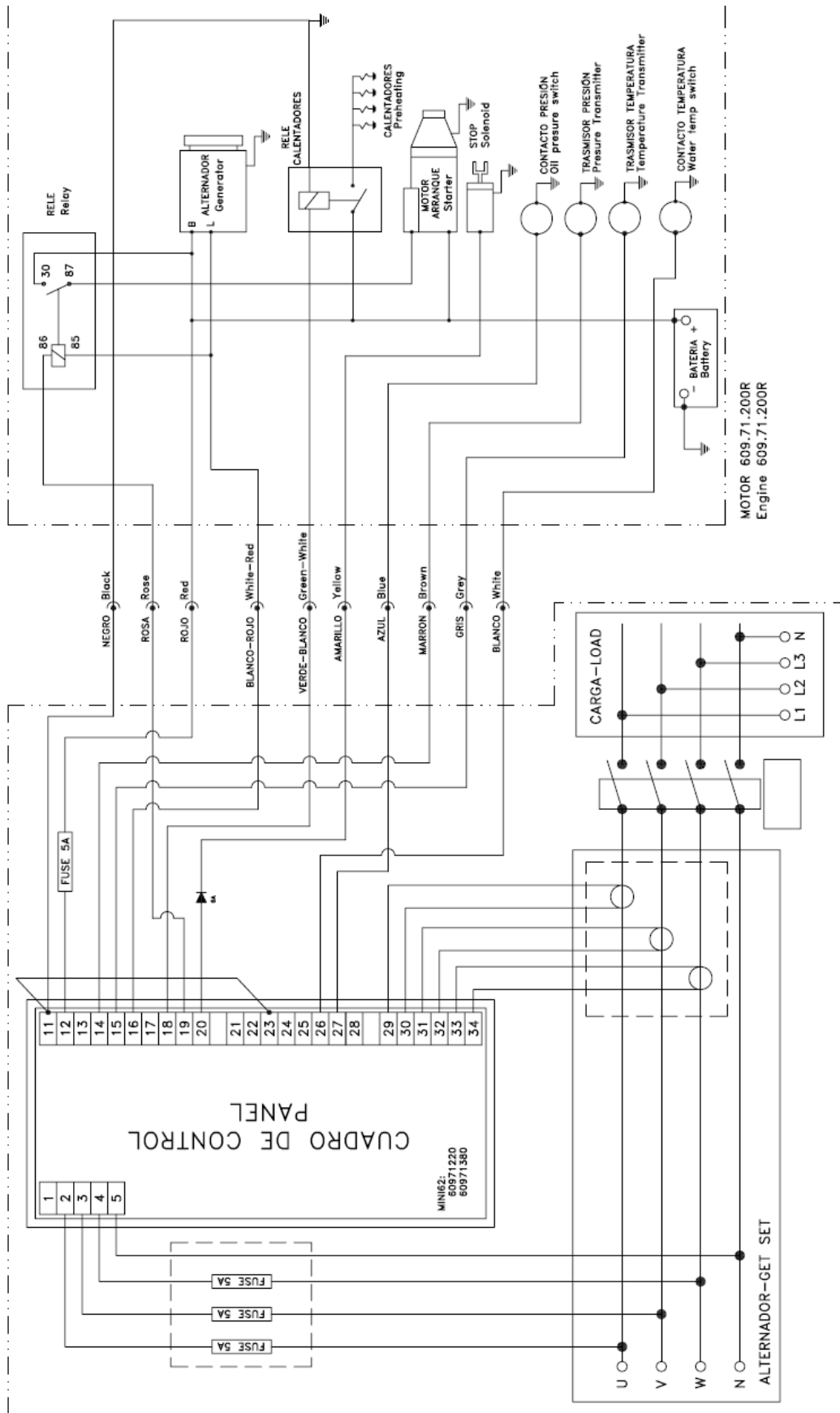
Detail 1st Panel

ENGINE	TYPE GET SET	GET SET - 1500 rpm (Part No. - 1st Panel)				GET SET - 1800 rpm (Part No. - 1st Panel)	
		50Hz				60Hz	
		3-Phases 400V/230V	3-Phases 230V	1-Phase 110V	1-Phase 230V	3-Phases 480V/240V	3-Phases 240V
MINI-62	G-20M-15			60971110	60971220M		
	G-20T-15	60971380	60971220			60971380.18	60971220.18

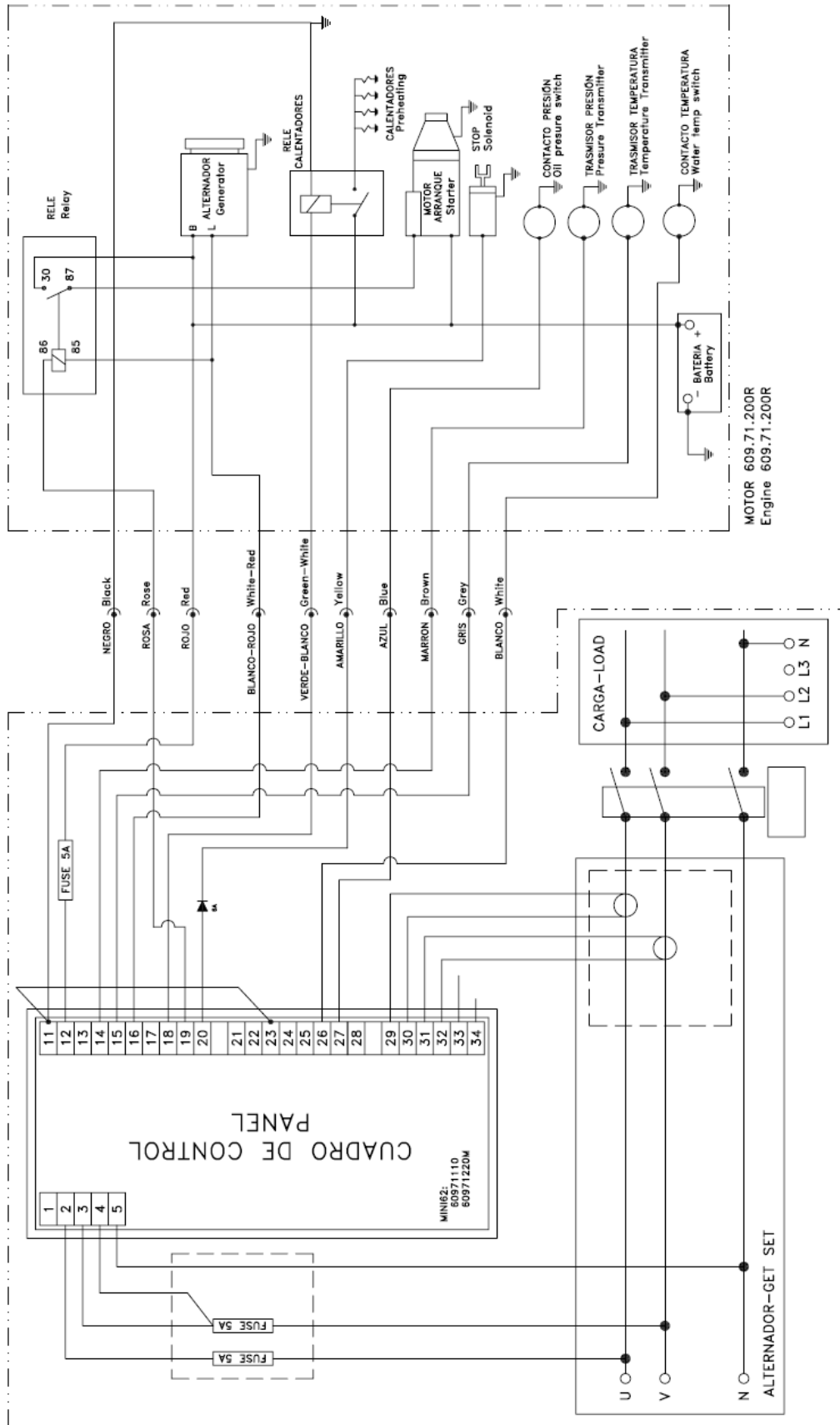
Check the Panel Service Manual attached.



CANOPY VERSION, WITH FAN. DELTA CONNECTION.



STANDARD VERSION, 3-PHASES 400V/230V



STANDARD VERSION, 1-PHASE 230V

2.6 TECHNICAL SPECIFICATIONS.

(a) ENGINE

	UNITS	MINI-62				
Cylinders number		4				
Bore	mm	88				
Stroke	mm	95				
Total displacement	c.c.	2311				
Compression ratio		22:1				
Min. lding speed	r.p.m.	1500				
Max engine speed	r.p.m.	1500				
Max assembly angle (Cont.)	°	---				
MAX assembly angle	°	---				
Crankshaft power ISO-8665	kW / CV	23 / 31.3				

Oil capacity (oilpan)	Liters	5.5				
Min oil pressure (hot engine)	kg/cm ²	1.0				
Cooling water capacity	litros	6.5				
Injection pump		BOSCH				
Injection pressure	bar	120				
Ignition sequence		1-3-4-2				
Valve timing (intake open)	BTDC	8°				
Valve clearance (cold engine)	mm	0.25				
Ø Int. Hose, Sea Water	mm	30				
Ø Int. Hose, inlet fuel oil	mm	8				
Ø Int. Hose, return fuel oil	mm	8				
Ø Int. Hose, exhasutl	mm	60				
Flow, seawater pump	Liters / h	2000				

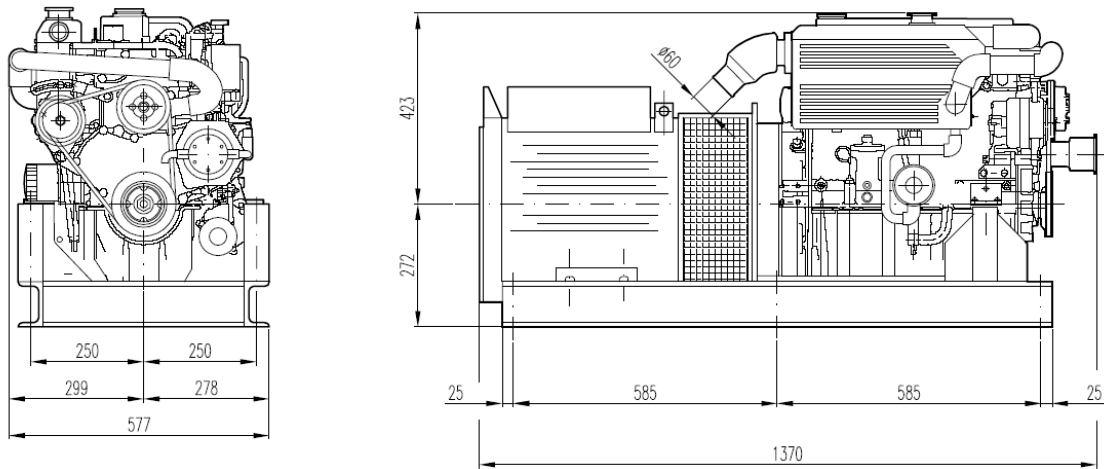
(1) Para modelo motor base ref. 17120000.2. Leer apartado 9.3. para otros motores MINI62. Consultar nº de serie.

(b) GENERATOR

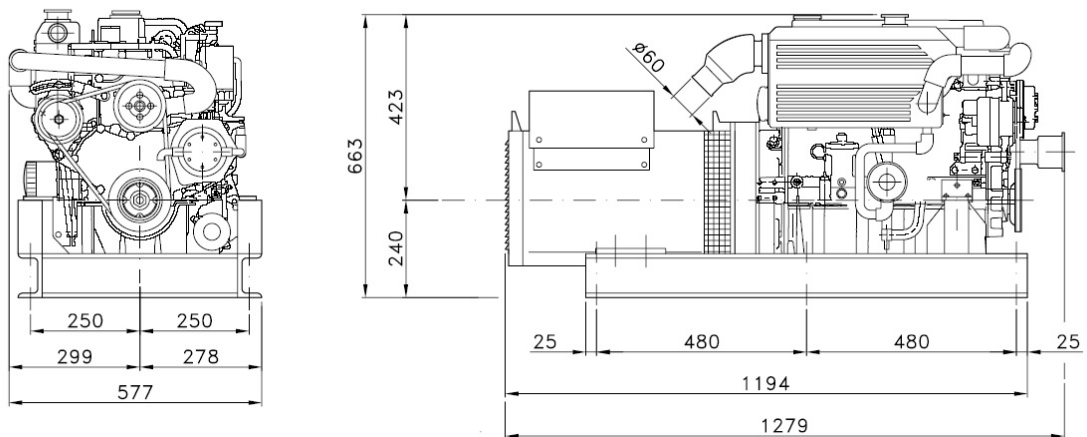
Type	UNITS	Revolving field, 4-poles. Rigidly coupled to Enghien and permanently aligned. Skewed stator and 2/3 pitch windings minimize field heating and voltage harmonics. Resin-coated for corrosion protection. Rotor dynamically balanced. Direct-coupled to the engine by drive discs.	
System cooler		Air fresh	
Voltage	V	400/230 (3-phases) or 400 (3-phases) 230 (1-phase)	
Frequency	Hz	50 (1500 rpm) 60 (1800 rpm)	
Ampers	A	23 (3Phases.) - G20T15 (50 Hz/400V) 41 (3Phases) - G20T15 (50 Hz/230V)	50 (1Phase) - G20M15 (50 Hz/230V)
MAX. Power	(kW)	20 (1-Phase) – G20M15 (50 Hz)	16(3-Phase)–G20T15 (50 Hz/400V/230V)
Continuous Power	(kW)	18 (Monof.) – G20M15 (50 Hz) 15 (Trif.) – G20T15 (50 Hz)	
Power Correction	(cos φ)	1 (monofásico) 0.8 (trifásico)	
Insulation system		H	
Voltage Variation	V	± 2	
Frequency Variation	Hz	± 3	

2.6.1 ENGINE DIMENSIONS

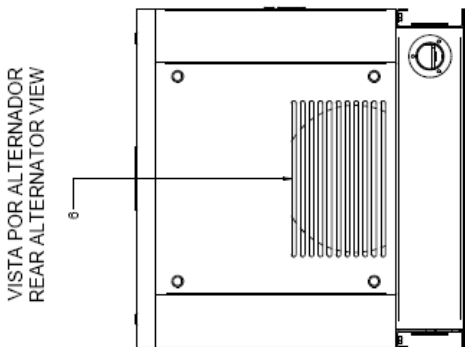
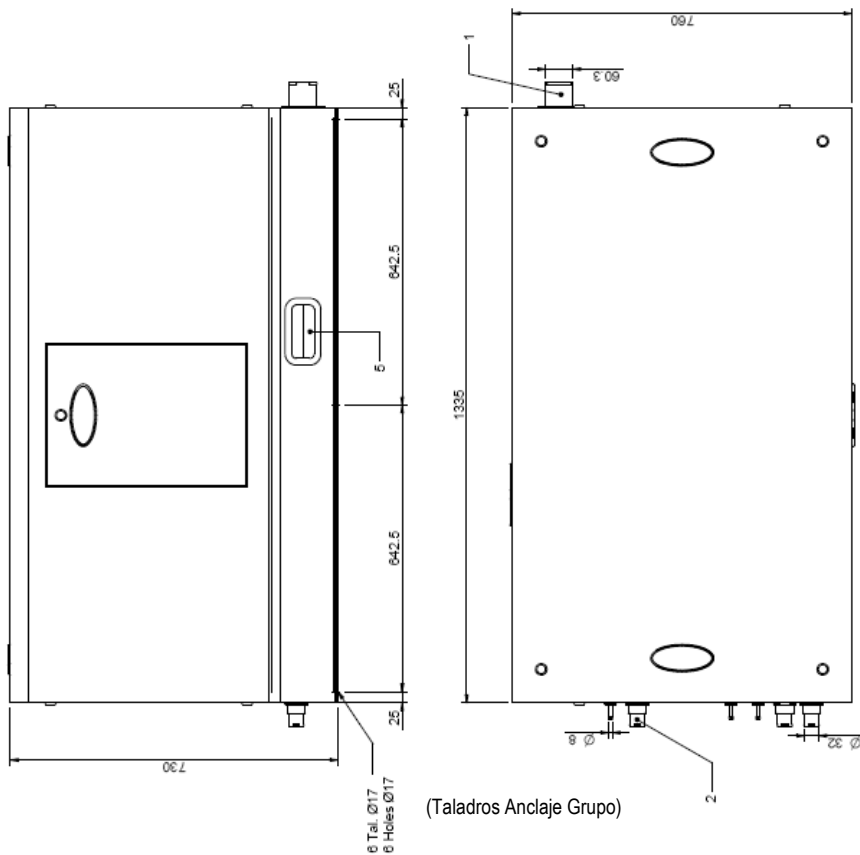
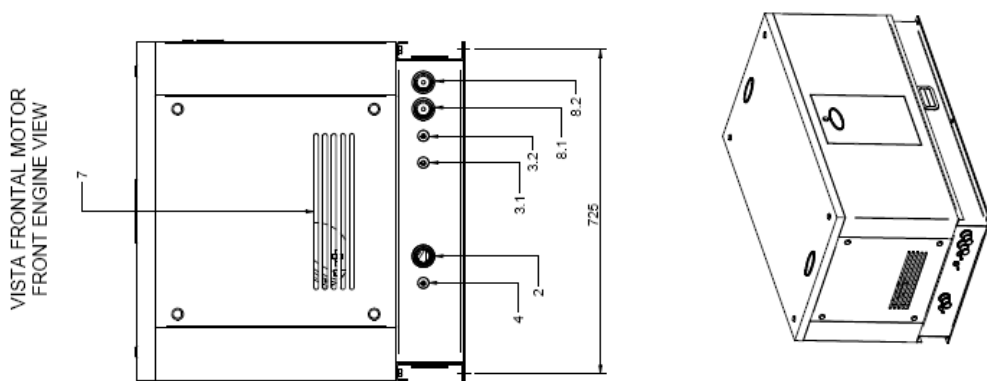
(a) GENSET 1-PHASE, G-20M-15



(b) GENSET 3-PHASES, G-20T-15



(c) GENSET G20T15 / G20M15. CONEXIONES:



CONEXIONES / CONNECTIONS:

- (1) Manguera Escape (Ø60mm). Exhaust Hose (Ø60mm).
- (2) Manguera agua refrigeracion (Ø32mm). Raw water (Ø32mm)
- (3.1) Entrada Gasoil (Ø8mm). Inlet Fuel Hose (Ø8mm).
- (3.2) Sobradero Gasoil, retorno a tanque (Ø8mm). Fuel Outlet, return to the tank (Ø8mm)
- (4) Sobradero refrigerante (Ø8mm). Leaks coolant outlet (Hose Ø8mm).
- (5) Registro conexiones electricas. Windows for electrical connections.
- (6) Entrada aire fresco alternador (NO TAPAR). Inlet air fresh Alternator (NOT COVER).
- (7) Ventana salida aire caliente (NO TAPAR). Zone to extract hot air (NOT COVER).
- (8.1) Conexion entrada purgador de Aire. Inlet Air vent connection.
- (8.2) Conexion salida purgador de Aire. Outlet Air vent connection.

Las tomas 8.1 / 8.2 dependeran del montaje segun seguridades linea de escape. The pipes 8.1 / 8.2 depending the engine assy.

The connections 8.1 / 8.2 are closed. It's only available when is necessary to install an airvent. If is necessary to install an airvent, procedure:

- (1) Dismantle the covers
- (2) mount the new pipes (to connect the airvent). Apply thread seallant on the records.
- (3) mount the hoses between outlet seawater pump and pipe 8.1. Connect a hose between the pipe 8.1 and inlet airvent. Is necessary to turn the elbow seawater pump.
- (4) connect the outlet airvent with pipe 8.2. After connect a hose between the pipe 8.2 and exhaust elbow.

3. TRANSPORT, HANDLING, STORAGE

3.0 GENERAL WARNINGS

Refer to heading 1.3 for safety information.

3.1 PACKING AND UNPACKING

The engine is shipped in various types of packing systems:

	STORAGE	STACKING OF PACKS:
Pallet with wooden crate (See heading 3.1.1)	covered area only	Máx. 1+1
Pallet with skeleton crate (See heading 3.1.2)	covered area only	NO
Engine mounting base + plastic packaging(See heading 3.1.3)	covered area only	NO

3.1.1 PACKING AND UNPACKING WITH PALLET AND WOODEN CRATE

Remove the lower nails. Lift the engine using chains with safety hooks and of suitable load capacity. Attach the chain hooks to the engine eyebolts and lift using a forklift or other suitable lifting equipment as described in heading 3.3.

Transfer the engine to the intended position of installation and remove the plastic wrap film. Unscrew screws that secure the engine to the wooden base withdraw the base and proceed with installation operations.

3.1.2 PACKING AND UNPACKING WITH PALLET AND SKELETON CRAT

Remove the lower nails. Lift the engine using chains with safety hooks and of suitable load capacity. Attach the chain hooks to the engine eyebolts and lift using a forklift or other suitable lifting equipment as described in heading 3.3.

Transfer the engine to the intended position of installation and remove the plastic wrap film. Unscrew screws that secure the engine to the wooden base with draw the base and proceed with installation operations.

3.1.3 PACKING AND UNPACKING WITH ENGINE MOUNTING FIXTURE AND PLASTIC PACKAGIN

Lift the engine using chains with safety hooks and of suitable load capacity. Attach the chain hooks to the engine eyebolts and lift using a fork lift or other suitable lifting equipment as described in heading 3.3.

Transfer the engine to the intended position of installation and remove the plastic wrap film. Unscrew screws that secure the engine to the wooden base with draw the base and proceed with installation operations.

3.2 RECEIPT

When the engine is delivered make sure that the packing has not been damaged during transport and that it has not been tampered with or that components inside the packing have been removed (see information marked on covers, bases and cartons).

Place the packed engine as close as possible to the place of installation and remove the packing material, checking that the goods supplied correspond to the order specifications.



if you notice damage or missing parts, inform Solé Diesel assistance departments and the carrier immediately and forward photographic evidence of the damage



important:
After inspecting the goods if you notice damage etc. write a reservation on the delivery note. Have the carrier countersing the note and advise SOLE S.A., preferably by telefax.

3.2.1 PACKING LIST

- (1) ASSEMBLED ENGINE
- (2) TECHNICAL DOCUMENTATION



The technical documentation contains: instruction and user manual.

Packing material must be disposed of in compliance with established law in the user's country. Packing materials:
Wood Steel nails Steel screws Plastic film Cardboard Metal or plastic straps

3.3 TRANSPORT AND HANDLING THE PACKED ENGINE

When lifting and transporting the engine use EXCLUSIVELY a fork lift or bridge crane of appropriate load capacity, with chains equipped with safety hooks suitable for lifting the load.

The use of any other system automatically invalidates the insurance guarantee against possible damage to the engine.

3.4 TRANSPORT AND HANDLING OF THE UNPACKED ENGINE

When the engine is unpacked ready for transport, use EXCLUSIVELY the appropriate lifting eyebolts (A), see the picture 3.4.

Choose the lifting equipment with reference to heading 3.3. Para transportar el motor desembalado, servirse EXCLUSIVAMENTE de los cáncamos (A) Ver la fig. 3.4.

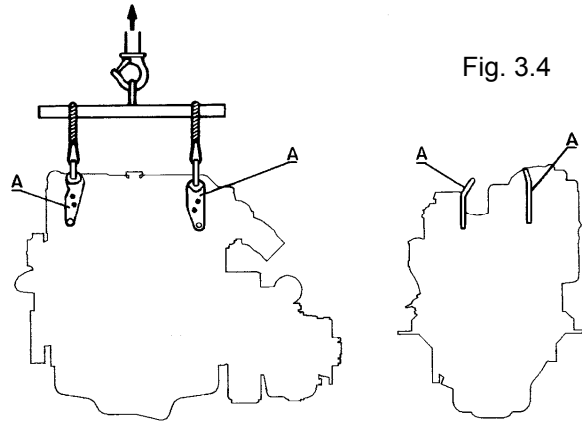


Fig. 3.4

3.5 STORAGE OF PACKED AND UNPACKED ENGINE

If the engine is left idle for prolonged periods, the client must check the possible conditions of conservation in relation to the place of storage and the type of packing system (base, pallet, etc.).

If the engine is unused for prolonged periods and stored, observe all the relative technical specifications.

The treatment of the engine for storage is guaranteed for 6 months after the time of delivery..



if the user decides to start the engine after a longer time period, this must be done in the presence of an authorised technician

4. INSTALLATION

4.0 GENERAL WARNINGS

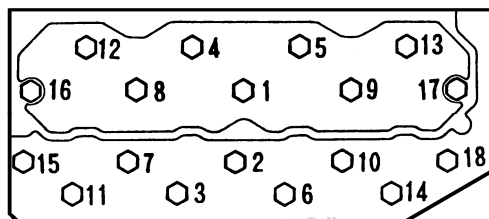
Refer to heading 1.3 for safety information

4.1. ASSEMBLY DATA

PARES DE APRIETE	TYPE THREAD	MINI – 62	
		(kgf · m)	(lbt · ft)
Cylinder head bolts	M12	12.0	87.0
Crankshaft pulley to crankshaft	M24	40.0	289
Main bearing bolts	M12	8.5	61.0
Tuercas ciegas biela	M10	5.5	40.0
Tornillos volante	M12	8.5	61.0
Rácord cárter vaciado aceite	M14	4.0	29.0
Oil filter	---	3.0	22.0
Pressure relief valve	M22	5.0	36.0
Holder body retaining nuts	----	6.0	43.0
Nozzle holder mounting bolts	----	3.75	27.0
Glow plug	M10	1.8	13.0
Nut for B terminal of starter	M8	1.1	8.0
Reversing gear flange setscrew	M12	12.0	87.0
Water cooler element locknut	M8	2.3	17.0
Reversing gear body setscrew	M10	5.0	36.0
Oil gearbox drain plug	M12	3.5	25.0
General tightening torque	M6	0.5 / 0.7	4 / 5
	M8	1.2 / 1.7	9 / 12
	M10	2.2 / 3.4	16 / 25
	M12	3.6 / 6.1	26 / 44

CYLINDER HEAD BOLTS TIGHTENING SEQUENCE:

When bolting the cylinder head, clean thoroughly the contact faces and fit the head gasket. Entighten one screw at a time when engine is cold as indicated in the suitable drawing. Loosen must be done using the reverse sequence.



4.2 ENGINE SUPPLIES

4.2.1 CHANGING OIL

4.2.1.1 CHANGING ENGINE SUMP OIL

Use oil that corresponds to the technical specifications in chapter 9.

Oil shall be changed with a hot engine so as to be sure the oil is fully drained. This is done by removing the stopper and mounting the drain pump. (Fig. 4.1).

When drained, fill with fresh oil through the filler hole.(Fig. 4.2).

Oil sump capacity: see heading 2.6 (technical specifications).

Immediately operate engine at idling for some minutes until the dashboard control light is switched off.

Stop engine. Check filter and engine sealing. Check then oil level, by removing the rod (Fig. 4.3), cleaning it with a rag and repositioning it by retightening.

Remove it again immediately to check oil level and if it does not reach the top sign add carefully more oil through the filler hole (Fig. 4.2) up to the top rod sign.

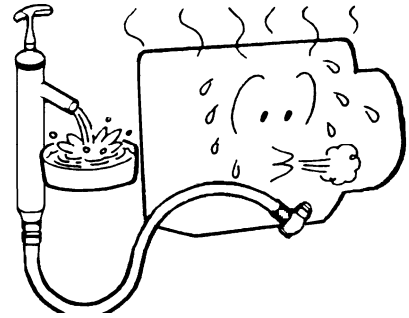


Fig. 4.1

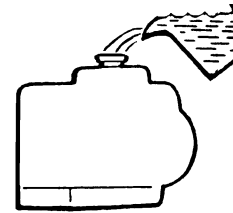


Fig. 4.2

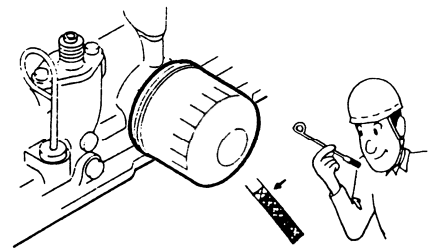


Fig. 4.3



Be careful that any rod marks refer to the engine at a horizontal position. Therefore, check the engine inclination when the level is verified. Read chapter 9.2

4.2.2 FILLING THE COOLING CIRCUIT

As a refrigerating liquid, an anti-freeze of the brand **KRAFFT ACU 2300 CC 50% Ref. 1325** or another one with similar specifications must be used.

The incorrect use of water in the refrigeration circuit is extremely harmful, causing corrosion and scaling, while the use of anti-freeze protects the circuit from corrosion, scaling and from freezing in conditions of very low temperature, thus optimizing engine maintenance and reliability.

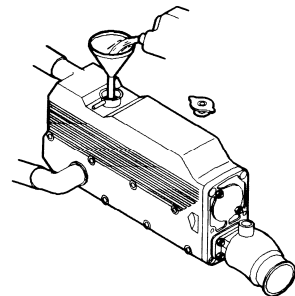


Fig. 4.7



Warning!

Do not allow AC88 liquid to come into contact with the eyes or the skin



Warning!

Do not ingest any of the liquids utilised to fill the various circuits on the engine

When distilled water is used in the refrigeration circuit, an anti-freeze product must be added, otherwise the expansion of water when it freezes may produce cracks and damage to the refrigerator unit and to the block, and in proportion to the temperatures expected.

The anti-freezing agent manufacturer, in the package labels is giving the instructions to be followed at each case. However, in the following box, suitable rates are set out in accordance with temperatures:

Ant freezing liquid concentration (%)	30	40	50	60
Freezing temperature (°C)	-10	-20	-30	-45

It is advisable the anti-freezing agent strength is selected based on a temperature which is approx. 5°C under the actual atmospheric temperature.

The anti-freeze solution recommended can be used for a normal operation of 2 years. At the end of this period of time the refrigeration circuit must be emptied and cleaned, then refilled with the predetermined anti-freeze (see 4.2.2).

Run the engine for a few minutes until the cooling circuit is properly filled and free of air pockets. Check the coolant level and replenish if necessary.



Warning!

After the first 50 hours of engine duty and at six months or 1000 hours intervals thereafter, adjust inhibiting agent AC88 to the coolant in the same proportions as indicated earlier. The cooling liquid mixture must be topped up with identical mixture and totally drained and replaced every 2 years.



Warning!

The use of coolants that are not in conformity with the above prescriptions will cause damage to engine components and invalidate the terms of the guarantee.

4.2.3 REFUELING

Always use clean, filtered gas oil. Never use either kerosene or heavy oils. On topping up with fuel, use a funnel with a metallic mesh filter, to keep out impurities or foreign bodies which may cause problems in the fuel injection circuit.

Whenever possible, keep the fuel tank full, as temperature changes may cause condensation of the damp air present in the tank so that water accumulates at the bottom, giving rise to corrosion or making it impossible to start the engine if this is aspirated by the fuel pump.

Check all tank filling plugs located at the boat deck are sealed.



Warning!

Do not use diesel fuel mixed with water or any other foreign substances



Warning!

Always use top quality fuel of certified origin. The use of diesel fuel that does not comply with the technical specifications indicated above will cause serious damage to the injection system and hence to the engine and also invalidate the terms of the guarantee

4.3. INSTALLATION



Warning!

When water-cooled engines must be located in an enclosed place or protected by guards or a cabinet, it is important to ensure that combustion air is freely supplied and freely expelled from the area

The above recommendation is of primary importance in relation to the perfect operation of the engine because the hot air that it generates must never be routed to the area of the combustion air intake cleaner.

If the users fails to take these precautions, a hot air recirculation system will be formed thus reducing engine power output and obstructing proper cooling.

In these cases it is advised to take steps to avoid taking in engine combustion air from the place in which the engine is installed. This is achieved by placing the suction filter, or a suction prefilter, outside the place in which the engine is installed.

4.4 INDICATIONS FOR REMOVAL / DISPOSAL OF WASTE MATERIAL



Warning!

Disposal of waste material must be carried out in conformity with established legislation in the country of installation.

5. PREPARING THE ENGINE FOR USE

5.0 GENERAL WARNINGS

Refer to heading 1.3 for safety information.

5.1 INSTRUCTIONS FOR FIRST STARTING

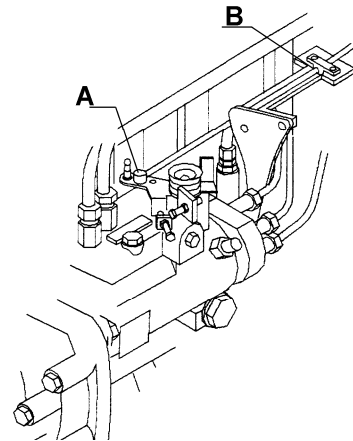
Do not alter the functioning conditions of the engine by changing the settings of factory sealed parts. Tampering with such parts automatically invalidates the guarantee. Proceed as follows when starting the engine for the first time:

- (a) **FILLING WITH OIL** See heading 4.2.1 and heading 2.6 for oil sump capacity.
- (b) **FILLING WITH COOLANT** (See heading 4.2.2)
- (c) **REFUELING** See heading 4.2.3. Check fuel delivery cock is fully opened.
- (d) **OPEN SEAWATER ENTRY COCK**
- (e) **CONNECT THE BATTERY CONNECTOR**
- (f) **REMOTE CONTROL CONNECTION**

(f.a) Engine:

Connect control cable to the ball-joint fitted to the lever (A) and position the cable with the clamp (B).

Adjust in a way that gas is not delivered until the inverter gear is engaged (Fig. 5.1)



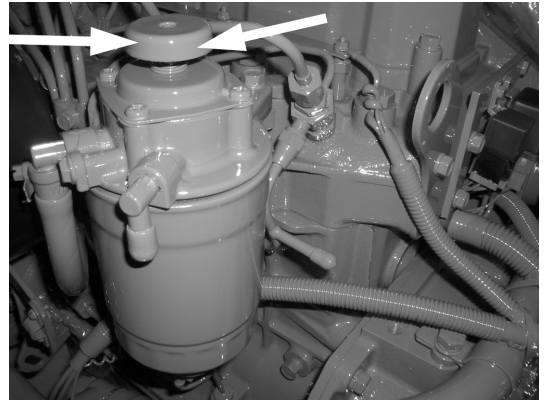
(g) OTHER CHECKINGS

- (g.a) Carefully check the engine positioning points.
- (g.b) Check all screws are correctly tightened.
- (g.c) Check all water, oil and gas-oil pipe nipples, verifying if all them are well connected and correctly tightened.
- (g.d) Check exhaust and transmission systems.

5.1.1 BLEEDING AIR FROM THE FUEL SUPPLY SYSTEM

On the first start-up of the engine, and if this has operated with the fuel tank empty, air may enter the feed system, and it is necessary to purge this. To carry out the priming/purge of the fuel system, proceed as follows:

- (1) Check fuel cock located at the tank delivery is open.
- (2) Turn the ignition key to the ON position, so that the valve activated by the electrical break allows the flow of fuel around the circuit.



- (3) Engine equipped with fuel puma type VE, bleeding the air pushing the button of the fuel filter (showed in the photo). The air bleeding from the injection puma and the injectors is automatic.

Once this operations have been terminated, proceed to start the engine (see the heading 6.1)



Warning!!
Protect hands. Fuel can harm the skin.

5.2 PRELIMINARY RUNNING TESTS

5.2.1 NO-LOAD RUNNING TEST

Run the engine at low speed for a few minutes. Keep a constant check on the oil pressure (see heading 2.3).

5.2.2 RUNNING-IN

During initial run-in, may last lasts for the first 50 hours of duty, take into account the following points:

- (1) Daily checking performances must be made without failure.
- (2) Engine must be operated at idle speed and heated up minimum 5 minutes after its starting.
- (3) Avoid a speeded-up acceleration.
- (4) Use the engine at 100% of maximum power for limited periods.
- (5) Carefully comply with the inspection and maintenance instructions shown in this manual.



Warning!
The longer the initial running-in period with reduced loads, the longer will be the working lifetime of the various parts of the engine with consequent savings in terms of maintenance and running costs.

6. USING THE ENGINE

6.0 GENERAL WARNINGS

Refer to heading 1.3 for safety information.

6.1 START THE GET SET.

To start get set from MDA panel (1st panel) is necessary to push the GREEN boton. The get set spend 4-5 seconds to start. Check the service manual attached. For installation double panel, is not possible start from MDA panel and stop for the auxiliary panel. The MDA panel can be switch on to check the values.

To start from AUXILIARY panel, turn the key to right hand (Pos. RUN) and pusch the boton named "CRANK". Use the pre-heating bottom only during 4-5 seconds

6.2 STOP THE GEN SET.

From MDA panel, push the red boton. Check the service manual attached.
To stop the get set from auxiliary panel, turn the key to left and (Pos. OFF).

6.3 USING THE ENGINE INFREQUENTLY

Take special precautions in installations where the engine must cut in rapidly and suddenly after long periods of inactivity (emergency power systems, fire prevention systems and harsh ambient conditions).

For specific application conditions consult SOLÉ DIESEL.

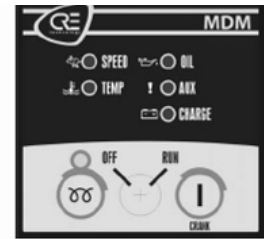
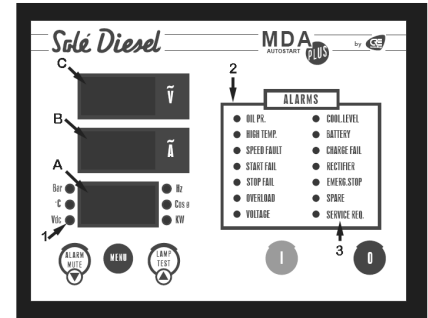
6.4 OPERATING THE ENGINE AT LOW TEMPERATURES

Whenever the atmospheric temperature drops below zero, the following series of circumstances occur:

- (1) The cooling liquids of the engine may freeze.
- (2) The lubricating oil becomes thicker.
- (3) There is a drop in the voltage at the battery terminals.
- (4) The air inlet temperature is low and the engine has difficulty in starting.
- (5) The fuel loses fluidity.

To prevent the damage caused by low temperature operation, the engine should be prepared as follows:

- (1) Use anti-freeze as indicated in section 4.2.2 of this manual.
- (2) When the engine is to be stopped, close the sea water cock, open the sea-water filter cover and start the engine adding a mixture of fresh water and 30% anti-freeze until the sea-water circuit is filled completely. Stop the engine and replace the sea-water filter cover. Before starting the engine again, open the sea-water cock. Repeat this operation whenever the engine is used at temperatures below °C.
- (3) Make sure that the lubricant oil is good quality and has a suitable viscosity. SAE 10W/30 synthetic oil is recommended.
- (4) Protect the battery against the cold, covering it with an adequate material. Check that the battery is fully charged. It is also advisable to use a dielectric spray on the electrical connections.
- (5) When starting the engine, make sure that the heating plugs become hot enough. Follow the instructions detailed in section 6.1 of this manual.
- (6) If necessary, to replace the fuel with a type more suited to low temperature operation. The accumulation of impurities in the fuel tank could cause faulty firing.



6.5 CONSERVATION



warning!

All engines not in use are subject to rusting and corrosion of machined surfaces that are not protected with a paint coating. The degree of corrosion depends on meteorological changes and climatic conditions. The following recommendations are therefore of a general nature but they will help prevent or reduce the risk of damage due to rusting.

6.6 LONG INACTIVITY INSTRUCTIONS

When the engine is not to be used for a long period of time or during the winter time, certain operations must be carried out to keep it in perfect operating condition. Follow these lay-up instructions carefully.

- (1) Carefully clean the external surface of the engine.
- (2) If very low temperatures are expected, always use liquid anti-freeze in the refrigeration circuit as indicated in section 4.2.2 of this manual.
- (3) In the case of low-capacity fuel tanks, drain completely and clean; refill with a mixture of diesel oil and rust inhibitor oil. For diesel oil in large-capacity fuel tanks, it is enough to add 2% rust inhibitor oil.
- (4) Close the sea-water cock. Connect a hose from the sea water pump to a open bucket. Put 30% anti-freeze mixture to the bucket. Start the engine for a moment. So the sea water system will be filled with anti-freeze mixture. Stop the engine.
- (5) Use a dielectric spray on the electrical connections, disconnect the battery, and charge it several times during the period of inactivity.



6.7 RESTORATION OF THE RUNNING CONDITIONS

When starting up the engine again after winter lay-up, certain operations must be performed. Follow these steps:

- (1) Fill the fuel tank with clean diesel oil. Carry out the process for checking the fuel filter. If the filter is clogged, replace the filter cartridge. The diesel oil-rust inhibitor oil mixture placed in the tank for winter lay-up can be used to operate the engine.
- (2) Drain the rust inhibitor oil contained in the crankcase and refill the engine sump with oil according to the instructions on heading 4.2.1.1.
- (3) Check the condition of the fresh-water cooling system rubber hoses.
- (4) Reconnect the battery and apply a layer of neutral Vaseline to the battery terminals.
- (5) Remove the nozzle supports and clean them. If possible, verify the setting of the nozzles at a workshop. Turn the engine without nozzles, using the starter motor, to eliminate the rust inhibitor oil used in the winter. Then install the clean nozzles.
- (6) Connect the cooling and exhaust system. Open the sea-water cock.
- (7) Verify whether there are any leaks in the fuel and water systems.
- (8) Start up the engine and try out at different speeds, making sure that the water flows correctly. Check again to see if the connectors leak.



7. REPAIR AND MAINTENANCE

7.0 GENERAL WARNINGS

Refer to heading 1.3 for safety information.

7.1 TYPE AND FREQUENCY OF INSPECTIONS AND MAINTENANCE INTERVENTIONS



INCREASE THE FREQUENCY OF MAINTENANCE IN HARSH DUTY CONDITIONS. (FREQUENT STOPS AND STARTS, DUSTY SURROUNDINGS, PROLONGED WINTER SEASON, NO-LOAD RUNNING)



IF POSSIBLE CHECK LEVELS AND REPLENISH SUPPLIES WITH THE ENGINE STOPPED AND AT AMBIENT TEMPERATURE



WARNING!

RISK OF BURNS DURING MAINTENANCE OPERATIONS CARRIED OUT WHEN THE ENGINE IS HOT. WEAR SUITABLE SAFETY CLOTHING



IT IS STRICTLY FORBIDDEN TO CLEAN THE ENGINE WITH COMPRESSED AIR



IT IS STRICTLY FORBIDDEN TO PERFORM MAINTENANCE/CLEANING OPERATIONS IN THE PRESENCE OF MOVING PARTS



USE GLOVES, OVERALLS ETC. TO PROTECT THE BODY FROM BURNS

		Service interval					
		Daily	1 st 50 hour	200 hour	400 hour	800 hour	Every 2 years
Engine	Screw tightening, fixing		✓		✓		
	Valve play				✓		
	Exhaust gases, noise and vibrations	✓					
	Compression pressure					✓	
Lubrication system	Engine oil	✓	◆	◆			
	Gearbox oil	✓	◆		◆		
	Oil filter		◆	◆			
Fuel system	Fuel	✓					
	Fuel tank						□
	Fuel filter (engine)				◆		
	Decanting filter (if any)		◇		◆		
	Injection pump					✓	
	Injector					✓	
	Bleed fuel system						✓
Intake system	Air filter		✓		◆		
Cooling system	Cooling water	✓					◆
	Water filter	✓	□	□			
	Bottom cock	✓					
	Water pump impeller				✓	◆	

□ Cleaning

◆ Change

✓ Inspection, adjustment or filling

◇ Drainage

Sole Diesel

ENG - 25

03917101G.ENG rev. 0

	Inspection concept	Service interval					
		Daily	1 ^a 50 hour	200 hour	400 hour	800 hour	Every 2 years
Electrical system	Every instrument	✓					
	Incandescent spark plug				✓		
	Alternator and starting motor				✓		
	Alternator belt and tension		✓		✓		
	Battery level		✓	✓		◆	

☐ Cleaning

✓ Inspection, adjustment or filling

◆ Change

◇ Drainage

DAILY CHECKING BEFORE USE OF THE ENGINE
Check oil level in the engine and gearbox. Filling. Filling is not required if level is near to the rod upper line.
Check fuel level and open fuel delivery cock.
Open the water access cock.
Check indicators. After commissioning check oil pressure, water temperature and battery charge. The three lamps must be switched off and the alarm must not be sounded.
Check cooling water is flowing and if some failure is detected in the exhaust gases, noise and vibrations.
Check cooling water level.

AFTER THE FIRST 50 OPERATING HOURS
Change oil engine, gearbox and cover fuel supply pump.
Change oil filter.
Fuel decanting filter drainage (if equipped)
Control and eventual adjustment of the alternator belt.
Overhaul of the propeller shaft and positioning screw tightening torque.
Clean water filter for impurities.

EVERY 200 OPERATING HOURS
Change oil engine a.
Change oil filter.
Water filter cleaning.
Check battery level.

EVERY 400 OPERATING HOURS
Check the tightening torque of the engine positioning, propeller shaft screw and gas-oil piping nipples.
Adjust valve clearance.
Check incandescent spark plugs in case they might fused or it there is two connections.
Change air filter
Inspect injection pump.
Check condition of sea water pump impeller and its eventual replacement.
Check the alternator and starter.
Control and eventual adjustment of the alternator belt.
Change fuel filter.
Decanting filter component change (if equipped)
Gearbox oil change.

EVERY 800 OPERATING HOURS
Check the starting motor pinion and the flywheel toothed crown.
Change alternator belt.
Check the compression pressure of each cylinder.
Injector checking.

EVERY 2 OPERATING YEARS
Change the refrigeration anti-freeze liquid.
Clean the fuel tank.

7.2 OPERATING DESCRIPTION

(1) Change engine and gearbox oil:

See heading 4.2.1.

(2) Change oil filter (Fig. 7.1):

The oil filter is located under the air filter. Change the oil filter after the first 50 operating hours and afterwards every 200 hours. The oil filter being a cartridge type of easy handling shall not be cleaned. Change the oil filter cartridge by unscrewing it with a commercially available oil filter wrench. When fitting a fresh oil filter, smear a small quantity of oil into the annular seal and firmly tighten it with the hand. When this operation is finished, start the engine and check oil is not leaking.

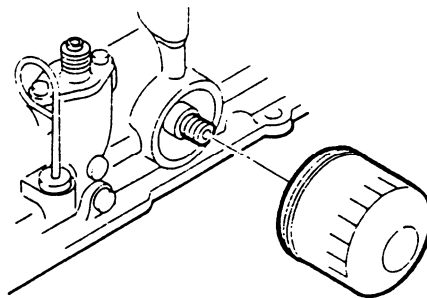


Fig. 7.1

(3) Checking valve clearance:

Perform this operation when the engine is cold in the following way;

With the rocking cover removed, loosen the rocker nut (1) and while the adjustment screw (2) is rotated, adjust the valve play with a gauge (3) (Fig. 7.2).

Intake valve play: 0.25 mm

Exhaust valve play: 0.25 mm

With piston n° 1 in the top dead centre of the compression cycle, adjust the play of the intake and exhaust valves of cylinder n° 1. Proceed similarly as with the other cylinders. The position of the BTDC can be confirmed with the lining signs of the distribution or timing cover and the crankshaft pulley.

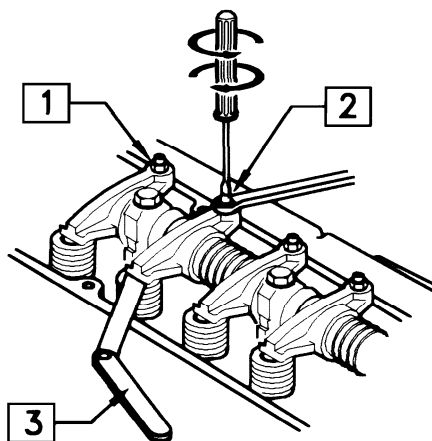


Fig. 7.2

After the adjustment, the rocking nut should be well tightened while the adjusting screw is locked so that it does not rotate.

NOTE: The adjustment of the valve play must be made after the cylinder head screws are again tightened. (Strictly comply with the operation sequence indicated in the heading 4.1)

(4) Control and eventual adjustment of the alternator belt tension:

Never adjust the belt tension with engine running.

An excessive tension may cause a quick wear of the belt and alternator bearings. Otherwise, if the belt is excessively loose or has oil, and insufficient load due to the belt skidding can be caused.

Check belt tension by pressing on one side with your thumb. Belt deflection should be about **13mm** (Fig.7.3).

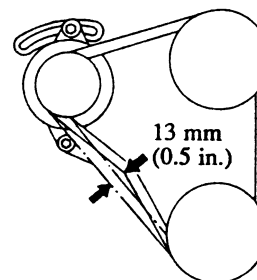


Fig. 7.3

(5) **Water filter cleaning:**

It is important to fit between the engine and the bottom cock a filter to avoid that any impurities existing in these a water might clog the cooling conducts.

Filter shall be cleaned every 200 hours by loosening the wing nut and removing the filtering component. Clean the filter and fit it again taking care the cover is well seated on the O-ring (Fig. 7.4). Then the engine is started to check if water is leaking from the cover.

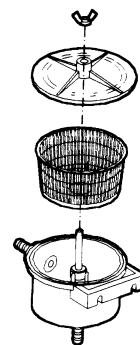


Fig. 7.4

(6) **Change cooling circuit water:**

Drain off all the circuit water by opening the two drain cocks, one in the exchanger and other in the cylinder block (Fig. 7.5).

When in cold climates, if the engine is not to be used for a long period, it is advisable to drain the water circuit.

Once this operation has been completed, close the drain cocks and fill to the hole in the tank cap (see heading 4.2.2 of this manual).

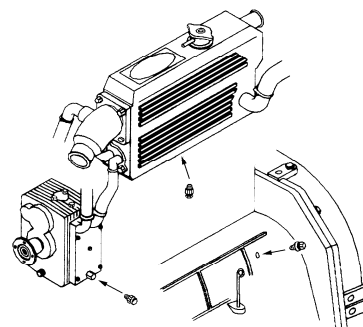


Fig. 7.5

(7) **Checking battery electrolyte level and charge:**

Batteries require a very careful handling and frequent checkings. Proceed as shown below:

- (1) Always keep batteries dry and cleaned.
- (2) Regularly check terminal cleanliness. If dust is settled, terminals should be loosened, cleaned and smeared with a neutral grease layer.
- (3) Metal objects must not be placed over the battery.
- (4) Batteries or containers containing acids should carefully be handled.
- (5) Monthly or every 200 hours check the acid level and supplement it with DISTILLED WATER required. Level should not exceed the battery inside mark.
- (6) Never use open flames to light battery components: there is explosion danger.
- (7) In winter, batteries should be detached and placed following the manufacturer's instructions.

Before battery is charged with an external charger, disconnect both terminals.

(8) **Fuel decanting filter drainage (optional):**

Loosen the wing nut (3) (Fig. 7.6) located at the lower side of the glass vessel and let go all the accrued water. Shut again off the wing nut and check it does not drip.

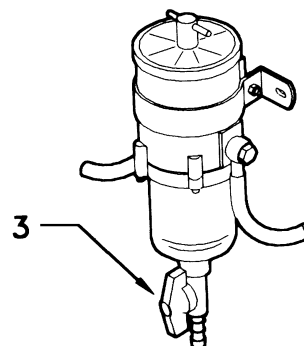


Fig. 7.6

(9) **Replace the fuel filter element (engine):**

The fuel filter is cladded and cannot be cleaned. It must be replaced at least once every 12 months.

To perform the filter change: Shut off the cock located at the tank delivery. Unscrew cover filter with a chain spanner. Screw the new filter to the cover with the hand and at the same time replace the rubber seals. Carry out the operations at heading 5.1.1 bleeding air from the fuel system.

(10) **Injector checking:**

This operation shall be made by a SOLÉ DIESEL service. If a hand-pump is available, monitor the calibration of injectors, by verifying that the pressures are those listed in paragraph 2.6 of this manual.

(11) **Checking incandescent spark plugs:**

Supply power to the glow plugs and make sure that they become incandescent, if not renew them.

(12) **Change air filter**

Engine is provided with an intake air filtering component. To perform such a change, loosen filter center nut, remove the cover and filtering component, by replacing with a new one. The component CANNOT be cleaned, it must be changed (Fig. 7.7).

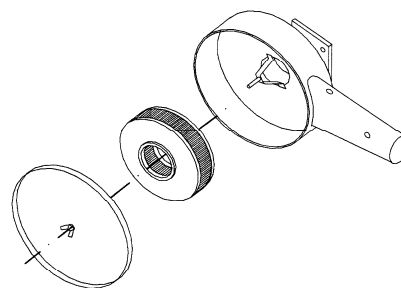


Fig. 7.7A

Change air filter

See the picture. Engine is provided with an intake air filtering component. To perform such a change, slacken off the central filter clamp, remove the old filter, by placing with a new one. The filter and element are an integral unit. The filter CANNOT be cleaned, it must be changed

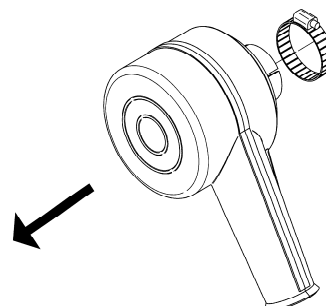


Fig. 7.7B

(13) **Check condition of sea water pump impeller and its eventual replacement:**

Driving impeller is neoprene and cannot rotate dried. If operated without water, the impeller can be broken. It is important therefore that a spare impeller is always available.

To change the impeller, close water inlet cock, remove pump cover and with two screwdrivers prize it by removing the impeller from the shaft. Clean housing and replace with a new one. Fit cover by placing a new seal (Fig. 7.9). Open bottom cock. If the impeller is broken, when it is changed, be sure all the rubber residues scattered are removed from the water pipes.

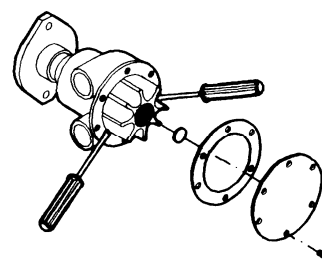


Fig. 7.8

(14) **Check alternator and starting motor:**

The engine has a standard alternator of 12V 50 Amps, with an electric regulator incorporated and an output for the revolutions counter.

Regularly check the electrical connections, its relevant positioning and the good terminal contact. For the starting motor, check brush wear and switch sour face roughness. Replace if the service limitation has been reached.

(15) **Cleaning the fuel tank:**

Drain out the contains of the fuel tank to remove condensate and any foreign materials. Wash the tank with fuel (dispose of fuel as described in heading 4.4.

(16) **Replace alternator belt:**

Fully detension old belt so that its removal can be made easily (Fig. 7.9).

When the belt is unfitted, check the condition of the pulley recesses, they shall be dry and clean. Its cleanliness is performed with soap water (never use petrol, gas oil or similar products).

Fit the belt taking care the belt insertion is made with the hand but without damaging it and if required pace it with a tool at least without any cutting edges since otherwise the belt could be damaged and its life shortened. The belt shall be tensioned such as is previously explained.

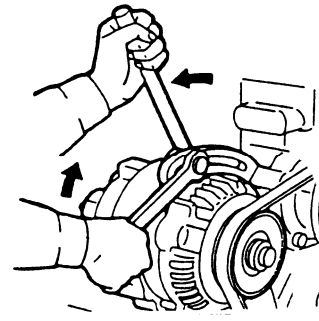


Fig. 7.9

(17) **Check the compression pressure of each cylinder:**

Check each cylinder with the glow plug removed using a compression pressure gauge. If measurement of any cylinder is below 28 Kg/cm² at 200 rpm, the cylinder must be repaired.

Difference in pressure between cylinders must be within 2 Kg/cm².

(18) **Inspect injection pump:**

The fuel injection pump is one of the most relevant components of a diesel engine and therefore its handling requires the best care. In addition, the injection pump has carefully been adjusted at factory and should never be adjusted carelessly. Such adjustment, whenever is required, shall be made by a SOLÉ DIESEL licensed service shop, since a precision pump monitor and skill knowledge are required.

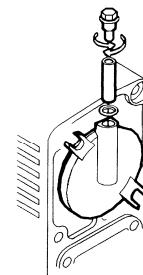
The requirements for the handling of a fuel injection pump are the following: Always use fuel which is without impurities and fuel filter shall be changed at the scheduled time.

(19) **Fuse:**

The switchboard carries as protection a 2 fuses: one with a size 10A to protect the panel's instruments and other to protect the circuit. In case the switchboard does not received power supply check if the switchboard is fused or not and replaced it.

(20) **Checking for anti-corrosion protection.**

In order to avoid the corrosion produced by galvanic currents, the engine is fitted with a zinc anode located on the front lid of the water-water heat exchanger. Check this every 250 hours and replace the zinc if it is samaged. To replace it, unscrew the plus holding the anode to the front lid of the exchanger, unscrew the damaged anode and replace it by a new one. Then press the anode-holding plug into the lid and check for water leaks.



7.3 TROUBLE SHOOTINGS

ENGINE FAILURE	PROBABLES CAUSES
FAILURE TO START	C1 - C2 - C3 - C4 - C5 - C6 - C9 - E1 - E2 - E3 - E4 - E5 M3 - R1 - R3 - L4
STARTS THEN STOPS	C1 - C3 - C5 - C7 - C9 - M5 - R4 - R6
POOR ACCELERATION	C1 - C2 - C3 - C4 - M1 - M2 - M4 - R7
UNEVEN RUNNING SPEED	C4 - L2 - R4 - M1
BLACK SMOKE	C3 - C6 - C7 - M1 - M4 - R1 - R2
BLUE SMOKE	L2 - M5 - R1 - R5 - R6 - R7
ENGINE OVER-HEATING	L1 - L4 - L6 - CR2 - CR3 - CR4 - CR5 - CR6 - M2 - M3 - M4
LOW OIL PRESSURE	L1 - L3 - L5 - L6 - L7 - L8 - R5
NOISY ENGINE	M3 - R5 - R7
OIL PRESSURE TOO HIGH	L3 - L7
LOW POWER	C3 - C6 - C8 - M1 - M7 - R2 - R7
BATTERY CHARGE DEFECTIVE	E1 - E2 - E7 - M6
GEAR DO NOT MESH CORRECTLY	M8 - M9

FUEL SYSTEM	
FAULTY OR CLOGGED FUEL PUMP	C1
OBSTRUCTED FUEL LINES	C2
FUEL FILTER CLOGGED	C3
FAULTY INJECTION PUMP	C4
AIR IN FUEL SYSTEM	C5
INJECTORS NOT SET CORRECTLY OR SEIZED	C6
INJECTION PUMP INCORRECTLY SET	C7
WATER IN FUEL SYSTEM	C8
FUEL OUTLET COCK CLOSED	C9

LUBRICATION	
FAULTY OIL PUMP	L1
OIL LEVEL TOO HIGH	L2
OIL PRESSURE RELIEF VALVE STICKING	L3
OIL VISCOSITY TOO HIGH	L4
OIL VISCOSITY TOO LOW	L5
OIL LEVEL TOO LOW	L6
FAULTY OIL PRESSURE VALVE	L7
FAULTY OIL PRESSURE GAUGE OR SWITCH	L8
OIL SUCTION LINES CLOGGED OR UNIONS LOOSE	L9

ELECTRICAL SYSTEM	
BATTERY DISCHARGED	E1
LOOSEN CABLE CONNECTION	E2
FAULTY STARTING SWITCH	E3
FAULTY STARTER MOTOR	E4
FUSE BURNED OUT	E5
FAULTY SPARK PLUGS	E6
FAULTY ALTERNATOR REGULATOR	E7

COOLING CIRCUIT	
SHORTAGE OF WATER IN FRESH WATER CIRCUIT	CR1
FAULTY FRESH WATER PUMP	CR2
BOTTOM COCK TO WATER FILTER CLOGGED	CR3
FAULTY SALT WATER PUMP	CR4
WATER COOLER CLOGGED	CR5
FAULTY THERMOSTAT	CR6

MAINTENANCE	
CLOGGED AIR FILTER	M1
ENGINE OVERLOADED	M2
TIMING TOO ADVANCED	M3
TIMING TOO RETARDED	M4
LOW IDLE SPEED	M5
ALTERNATOR BELT TENSION	M6
EXHAUST BACKFIRES	M7
REMOTE SHIFT AND REVERSING GEAR CONTROL OUT OF ADJUSTMENT	M8
CLUTCH CONE WORN	M9

REPAIRS	
WORN OR STUCK RINGS	R1
POOR VALVE SEALING	R2
STUCK VALVE	R3
GOVERNOR SPRING BROKEN OR WRONG SPRING	R4
WORN CON. RODS/OR MAIN BEARINGS	R5
WORN CYLINDERS	R6
WRONG VALVE CLEARANCE	R7

8. ADDITIONAL INSTRUCTIONS

8.0 ADDITIONAL INSTRUCTIONS

Refer to heading 1.3 for safety information

8.1 INSTRUCTIONS FOR DECOMMISSIONING, SCRAPPING AND DISPOSAL

When you decide to decommission the engine, please contact SOLÉ S.A., we will provide you with the relevant instructions in relation to the laws in force at the time. When scrapping the entire engine or components of the engine, observe the LAWS IN FORCE IN THE COUNTRY OF INSTALLATION.

For information on the materials of which individual components of the engine are made, contact SOLÉ S.A.

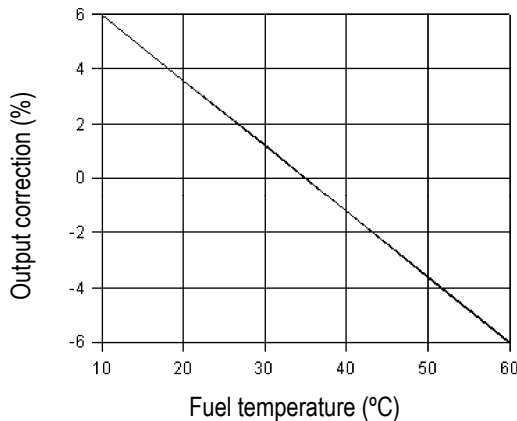
8.2 DERATING OF ENGINE DUE TO FUEL AND COMBUSTION PROPERTIES

FUEL PROPERTIES - Output correction due to fuel properties.

Specified outputs presuppose the following fuel properties (as per ISO 3046):

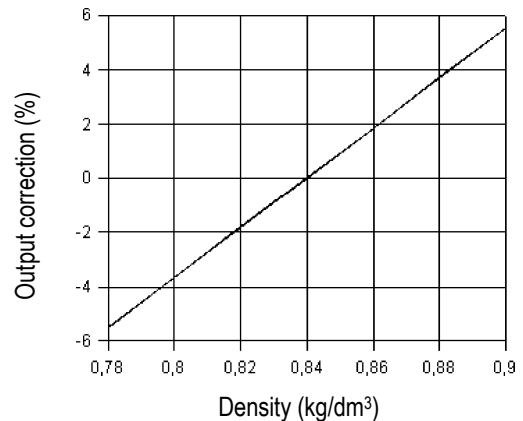
Energy value:	42700 kJ/kg
Temperature, before feed pump:	35°C
Density: (15°C)	0.84 kg/dm ³

If the fuel deviates from these values, correction factors (in %) are found in the graphs below. Use the correction factors in "calculation of engine output"



Graph 1

Effect of fuel temperature on engine output. +35°C is reference temperature (0%)



Graph 2

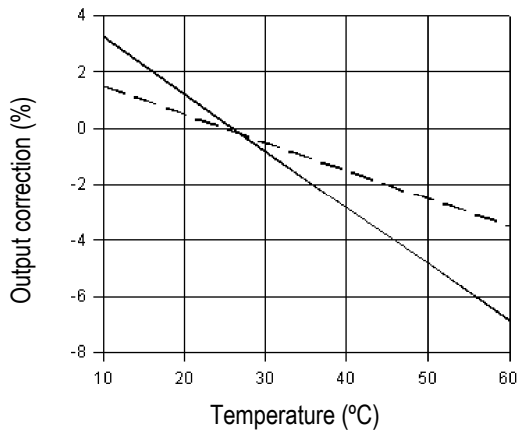
Effect of fuel density on engine output. Normal value is 0.84 Kg/dm³ at +15°C (0%)

AIR PROPERTIES - Output correction due to air properties.

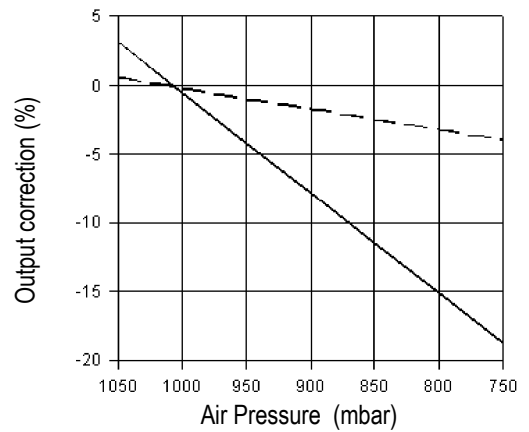
Specified outputs presuppose the following air properties (as per ISO 3046):

Air pressure: 1000 mbar (750 mmHg)
 Air temperature: 25°C
 Humidity: 30%

If the air deviates from these values, correction factors (in %) are found in the graphs below. Use the correction factors in "calculation of engine output"



Graph 3
 Effect of intake air temperature on engine output.
 +25°C is reference temperature (0%).



Graph 4
 Effect of air pressure on engine output. Normal value
 is 1000 mbar (750 mm Hg) (0%).

——— NORMALLY ASPIRATED
 - - - - - TURBOCHARGED

9. TECHNICAL ANNEXES

9.0 OIL SPECIFICATIONS

9.0.1 ENGINE OIL TO BE USED

Use Sole Diesel SAE 15W/40 oil. Its service classification is as follows: as follows:

OIL VISCOSITY:

Select oil viscosity most suitable for the atmospheric temperatures on which the engine should be operated. It's recommended to use Sole Diesel SAE 15W/40 oil in all the seasons due to the minimum change in its viscosity with the temperature changes. This is an all-season oil for temperatures ranging between -15°C and +35°C

API CE/CF-4/SG
MIL-L-2104 E
CCMC D4/G4/P



9.1 ESPECIFICACIONES FOR ENGINE INSTALLATION

ENGINE	AIR ADMISSION DISPLACEMENT (1)	ØINT EXHAUST HOSE (2)	BATTERY (12V)	CABLE TO BATTERY LENGTH (m)	MINIMAL SECTION CABLE TO BATTERY	Ø INT. FUEL HOSE FROM TANK TO PRIMING PUMP (mm)	Ø INT. FUEL HOSE FROM INJECTION PUMP TO THE TANK (mm)
MINI-62	180 – 230 m ³ /h	60	90 A	≤ 1.5	50 mm ²	8	8

(1) Max. r.p.m.

(2) for each curve of 90° of the installation, must increase 10 mm (for lengths superiors to 3m)

9.2 FUEL INJECTION TIMING (BTDC)

The BTDC are diferent depending the serial number engine. Please, contact to SOLE.

BTDC	ENGINE, PART no.					
	MINI-62	MINI-62 L	MINI-62 G			
20°	171.20.000 (serial no. < 26906)	171.20.000 (serial no. < 26906)	171.20.000 (serial no. < 26906)			
6°	171.20.000.1 (serial no. > 26906)	171.20.000.1 (serial no. > 26906)	171.20.000.1 (serial no. > 26906)			
8°	171.20.000.2 (serial no. > 58182)	171.20.000.2 (serial no. > 58182)	171.20.000.2 (serial no. > 58182)			



MARINE DIESEL ENGINES MARINE GENSETS

SOLÉ S.A.

Dpto. Publicaciones Técnicas
Ctra. Martorell a Gelida km. 2 (C-243b)
08760 Martorell
Barcelona - Spain

Tel. (+34) 93 775 14 00
Fax. (+34) 93 775 30 13

e-mail: sole@solediesel.com
www.solediesel.com



Ref. 03917101G.ENG
Ed. 1 rev. 0