

Made to Last



Waterproof IP67



Multi-collision protection



A safe and reliable 96V electrical platform complying with IEC standards.



Minimum 5,000 hours of service life*
* Under experimental conditions.

Ultra-Low Noise, Vibration, and Harshness (NVH)

At their maximum noise level of 73 dBA, X Series outboards are quieter than most offices! Achieved through advanced damping technology and frequency resonance isolation, this means you can enjoy the water more, without shouting at each other or scaring away the wildlife.



Vibration damping technology

Environmentally Friendly

X Series outboards are zero-emission. Compared to a 60 hp petrol outboard, operating at full power for 100 hours, an X40 would save 1900 litres of petrol and 4.3 tonnes of CO₂ pollution.



10240 Wh / 96 V

G102-100 Battery Lithium Iron Phosphate Battery (LiFePO₄)



Capacity	10240 Wh	Serial Connection	N/A
Rated Voltage	102.4 V	Parallel Connection	Up to 8 in 1 cluster. Multiple clusters are possible in the system
Battery Life	3,000 cycles at 80% DOD	Cell Configuration	32S1P
Weight	100 kg	Charging Temperature	0°C to 55°C
Dimensions	680 x 500 x 300 mm (26.8 x 19.7 x 11.8")	Discharging Temperature	-10°C to 60°C
Cut-off Voltage	83.2 V	Shipping Classification	UN3480, Class 9, UN38.3 Certified
Final Charging Voltage	115.2 V	Certifications	CE, UKCA, FCC
Max Continuous Discharging Current	100 A	Communication	One CAN for ePropulsion motors One CAN (Two ports) for parallel batteries One CAN for charger

Specs

Motor Weight (excluding control)

Shaft Length

Dimensions (L x W x H)

Input Power

Nominal Voltage

Cooling System

Rated RPM

Trim and Tilt

Trim / Tilt Angle

Steering

Steering Angle

Propeller

* The specifications are for reference only.

	X40 40 kW	
	L Shaft	XL Shaft
Motor Weight (excluding control)	104 kg (229.3 lbs)	106 kg (233.7 lbs)
Shaft Length	508 mm (20")	635 mm (25")
Dimensions (L x W x H)	757 x 360 x 1233 mm (29.8 x 14.2 x 48.5")	757 x 360 x 1360 mm (29.8 x 14.2 x 53.5")
Input Power	40 kW	
Nominal Voltage	96 VDC	
Cooling System	Closed loop liquid cooling	
Rated RPM	1500 to 2100	
Trim and Tilt	Power trim/tilt	
Trim / Tilt Angle	-4° to 61°	
Steering	Integrated electric steering	
Steering Angle	±45°	
Propeller	15" x 10 3/4" propeller (available in L&R rotation) 13 3/8" x 16 3/4" propeller (available in L&R rotation)	

	X20 20 kW	
	L Shaft	XL Shaft
Motor Weight (excluding control)	79 kg (174.2 lbs)	81 kg (178.6 lbs)
Shaft Length	508 mm (20")	635 mm (25")
Dimensions (L x W x H)	674 x 360 x 1229 mm (26.5 x 14.2 x 48.4")	674 x 360 x 1356 mm (26.5 x 14.2 x 53.4")
Input Power	20 kW	
Nominal Voltage	96 VDC	
Cooling System	Natural cooling	
Rated RPM	1200 to 1800	
Trim and Tilt	Power trim/tilt	
Trim / Tilt Angle	-4° to 61°	
Steering	Integrated electric steering	
Steering Angle	±45°	
Propeller	15" x 10 3/4" propeller (available in L&R rotation) 13 3/8" x 16 3/4" propeller (available in L&R rotation)	

	X12 12 kW	
	S Shaft	L Shaft
Motor Weight (excluding control)	48 kg (105.8 lbs)	50 kg (110.2 lbs)
Shaft Length	381 mm (15")	508 mm (20")
Dimensions (L x W x H)	560 x 266 x 978 mm (22 x 10.5 x 38.5")	560 x 266 x 1105 mm (22 x 10.5 x 43.5")
Input Power	12 kW	
Nominal Voltage	96 VDC	
Cooling System	Natural cooling	
Rated RPM	1100 to 2000	
Trim and Tilt	Power trim/tilt	
Trim / Tilt Angle	-4° to 61°	
Steering	Integrated electric steering	
Steering Angle	±45°	
Propeller	11 13/16" x 10 5/8" propeller (available in L&R rotation) 11 7/16" x 14 3/16" propeller (available in R rotation)	

EPROPULSION



X40 X20 X12 NEW

EPROPULSION X SERIES ELECTRIC OUTBOARD MOTORS

Clean · Quiet · Powerful · Easy-to-Use

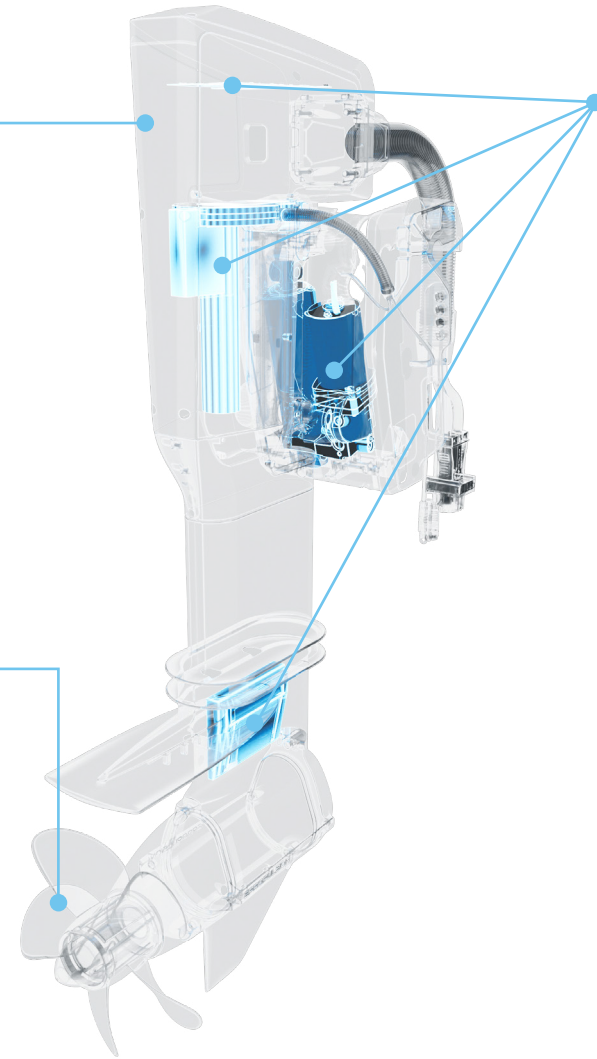
Compact & Fully Integrated Space-Saving Design

Narrow footprint, with no external steering gear, maximises valuable stern space... more room for boarding, swimming and socialising.



Advanced propeller design

Unparalleled hydrodynamic performance and higher efficiency.



The electric steering, power trim/tilt, ECU (electric control unit), and motor controller are all integrated into one unit.

40/20/12 kW
of continuous power.

88.2%
total powertrain efficiency (excluding propeller).

Max. 36%
less weight than its conventional equivalent*.

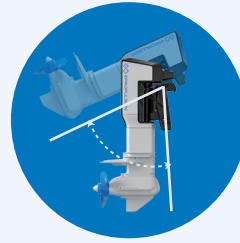
* The weight includes the engine and the steering.

Performance and Range*

	X40			X20			X12		
Input (kW)	10	20	40	5	10	20	3	6	12
Speed (kph / mph)	12.6 / 7.8	15.4 / 9.6	35.9 / 22.3	11 / 6.8	14 / 8.7	26 / 16.2	14.5 / 9	20.4 / 12.7	30.1 / 18.7
Runtime (hh:mm)	4:00	2:00	1:00	4:00	2:00	1:00	3:20	1:40	0:50
Range (km / mile)	50.4 / 31.3	30.8 / 19.1	35.9 / 22.3	44 / 27.3	28 / 17.4	26 / 16.2	48.3 / 30	34 / 21.1	25.1 / 15.6

* The X40's performance data is based on a 20-foot V hull aluminum boat with two persons (130kg), powered by one X40 with four G102-100 batteries (total boat weight 1030kg), in calm lake water. The X20's performance data is based on a 14-foot V hull aluminum boat with two persons, powered by one X20 with two G102-100 batteries (total boat weight 660kg), in calm lake water. The X12's performance data is based on a 11-foot aluminum hull inflatable boat with one person, powered by one X12 with one G102-100 battery (total boat weight 320kg), in calm lake water.

Enhanced User Experience

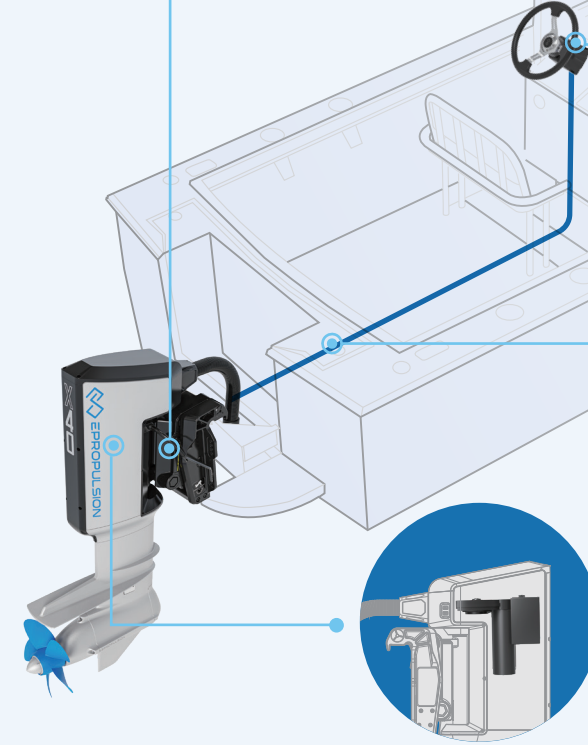


Power trim / tilt



Comfortable and intuitive control

X Series' digital helm and smart throttles, with instant digital feedback, are responsive and easy to operate, even for boating novices.



- Streamlines installation.
- Minimises complex wiring.

Integrated electric steering

The X Series' electric steering eliminates the need for hydraulics, so it's easier to install and maintain. It also serves as a gateway to our Advanced Driving Assistance Systems, with enhanced safety and control features that revolutionise the boating experience.

Cutting-edge driving assistance features

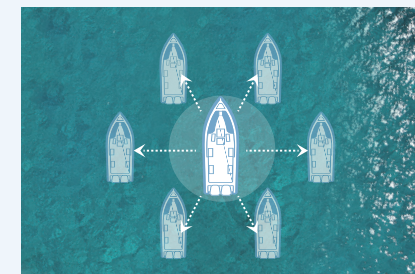
Integrated electric steering enables automated features such as "Position Hold", "Heading Hold", and "360 Motions" for additional safety and easy control. More features to come in the future.



Position Hold



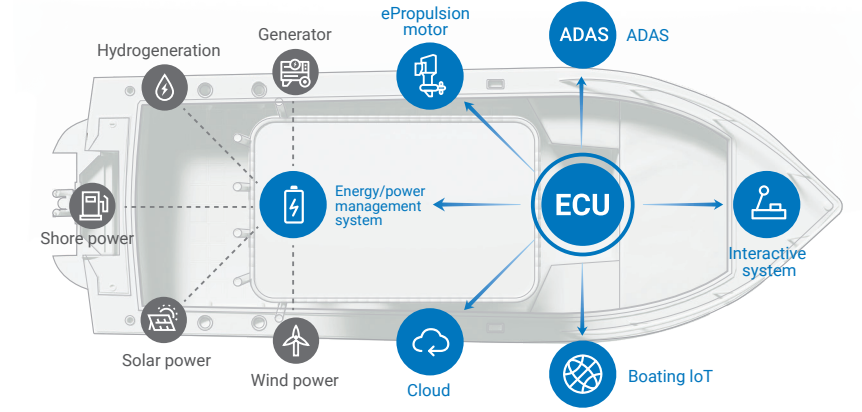
Heading Hold



360 Motions

ePropulsion Smart System Architecture (eSSA)

eSSA makes setting up an X Series system seamless and worry-free. The modular architecture supports simple and safe connection of multiple components and enables integration with renewable energy sources, enhancing the sustainability of your boating experience.



A comprehensive range of accessories:

- Smart Throttle
- Digital Helm
- Smart Display 5"
- Smart Display 10"
- Propellers for different speeds or conditions
- G102-100 Battery
- MPPT Solar Charge Controller
- DC-DC Converter
- Battery Chargers with different power capacities
- More coming soon...

ePropulsion Link

Connectivity

X Series motors have ePropulsion's Connectivity Service built in. This keeps you in touch with your boat's status in real time, including monitoring, reporting, and trip tracking functions.

