



eLite ELECTRIC OUTBOARD MOTOR



Clean



Quiet



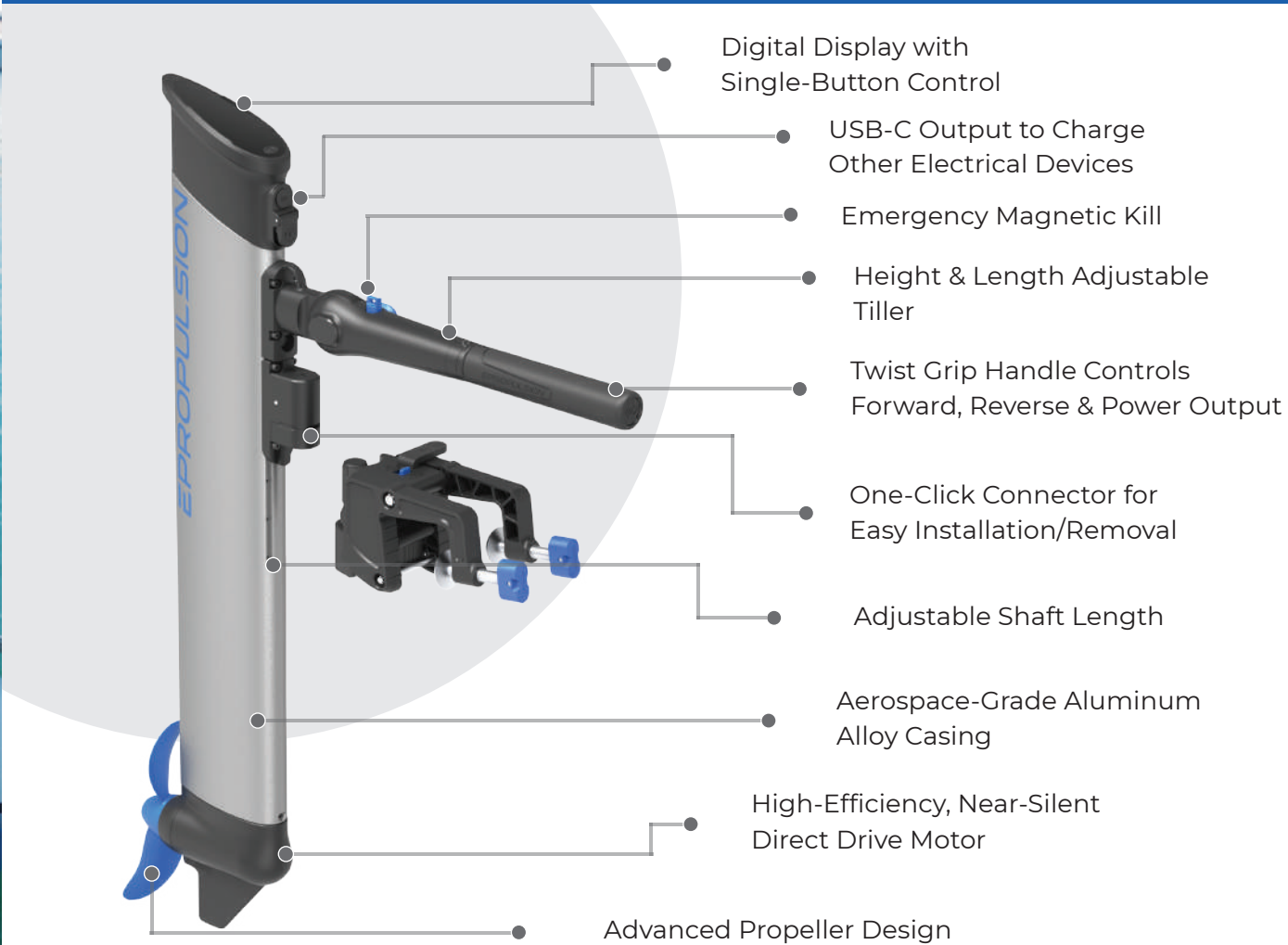
Eco-friendly



Waterproof
IP67



Minimal
Maintenance



eLite

ELECTRIC OUTBOARD MOTOR



- **Lightweight:**
Motor Weight (excluding bracket)
6.7 kg / 14.7 lbs
- **Compact size:**
297 x 75 x 890 mm (11.7 x 3 x 35")
- **Easy to carry and lift.** Weight balances on folded tiller
- **Carrying Bag** included for easy storage and transport

SPECIFICATIONS

Nominal Power 500 W

Maximum Power (in Sport Mode) 750 W

Battery Integrated 378 Wh 25.2V Lithium-ion

Charger 220V AC charger included, 12V charger optional

Cooling System Natural cooling

Rated RPM 1500 to 1700

Operating Temperature -5 to 55 °C

Storage Temperature -20 to 45 °C

Trim and Tilt 8° / 17° / 26°

Tilt Angle 75°

Shallow Water Mode Tilt Angle 36°

Steering Range ±70°

Dimensions (L x W x H) 297 x 75 x 890 mm (11.7 x 3 x 35")

Motor Weight (excluding bracket) 6.7 kg / 14.7 lbs

Motor Weight (including bracket) 7.9 kg / 17.4 lbs

Adjustable Shaft Length 401 / 362.5 / 322 / 282.5 mm (15.8 / 14.27 / 12.7 / 11.1")

*The specifications are for reference only.



Find your nearest dealer



epropulsion.com

ONE-CLICK QUICK RELEASE REMOVAL/INSTALLATION

- No electrical connections to make, no tools needed
- Motor can be lifted on/off (for charging etc), whilst leaving the clamp bracket on transom, at the touch of a button



ADVANCED TILLER

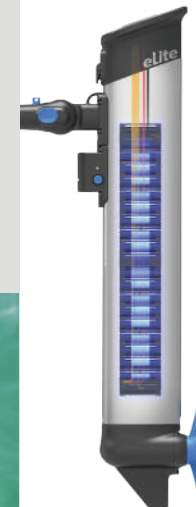


- Extendable
- Foldable for easy transport
- Fixed or adjustable angle
- Anti-slip surface material
- Ergonomic, easy-grip handle

CLAMP BRACKET FUNCTIONALITY

- 3 leg down trim angles for different transoms
- Partial tilt/shallow water drive at 36°
- Full tilt at 75° for beach landings & storage
- Anti-grounding mode: if the motor hits a rock or other underwater obstacle, it will tilt up automatically to reduce the likelihood of damage

INTEGRATED LITHIUM-ION BATTERY



- Safe and Reliable
- Smart Battery Management System for more energy efficient operation and longer battery life
- USB-C output to charge/power other electrical devices
- Supports multiple charging options (220V AC as standard, 12V DC and Solar with optional ePropulsion accessories)

PERFORMANCE & RANGE*

	Half Power 250W	Full Power 500W	Sport Mode 750W
Speed (mph/kph)	3.7 / 6.0	4.7 / 7.5	5.2 / 8.3
Max Run Time (hh:mm)	01 : 30	00 : 45	**
Range (miles/km)	5.6 / 5	3.5 / 5.6	-

*The data above is for a single person driving an 8ft aluminium dinghy (total weight 117kg), in calm conditions. Range and run time may vary with different boat or load, wind and waves, etc
** Sport Mode can last up to 1 minute subject to battery SOC and temperature.

