

MARINE TRANSMISSION

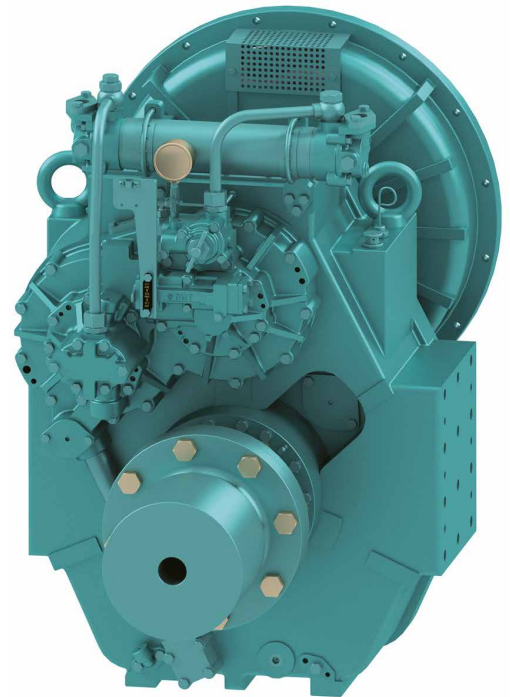
DMT600DL

■ Standard Scope Of Supply

- Bell Housing (SAE 0)
- Centa Flexible Coupling (18")
- Propeller Coupling, Reamer Bolt
- Manual Control Valve
- Oil Cooler
- Cable Bracket

■ Options

- Manual Trolling Valve
- Electronic Control Valve(12V, 24V)
- Manual Trolling Valve +
Electronic Control Valve(12V, 24V)
- Mounting Bracket (Flat type, L type)



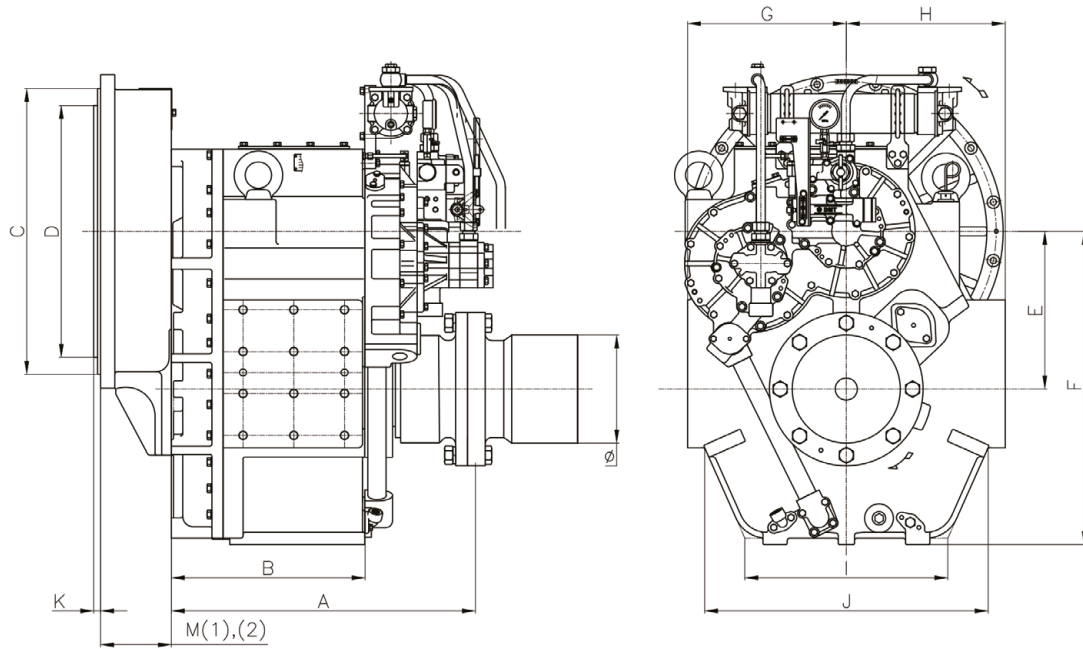
Model	Ratio	Max Input Torque		Capacity/RPM		Capacity/1800RPM		Max Input (RPM)	Bell Housing (SAE)	DRY WEIGHT (kg)
		(kgf.m)	(N.m)	kW	HP	kW	HP			
DMT600DL	3.02*, 3.28*, 3.56, 4.07	625	6131	0.641	0.860	1154	1549	2200	0	1138
	4.48	614	6023	0.630	0.845	1135	1522	2200		
	4.95	558	5473	0.572	0.768	1031	1383	2200		

*Special Order Ratio

※ The dry weight is the weight that excludes bell housing, coupling (rubber block, dual stage, Centa flexible) and propeller coupling from the standard scope of supply.

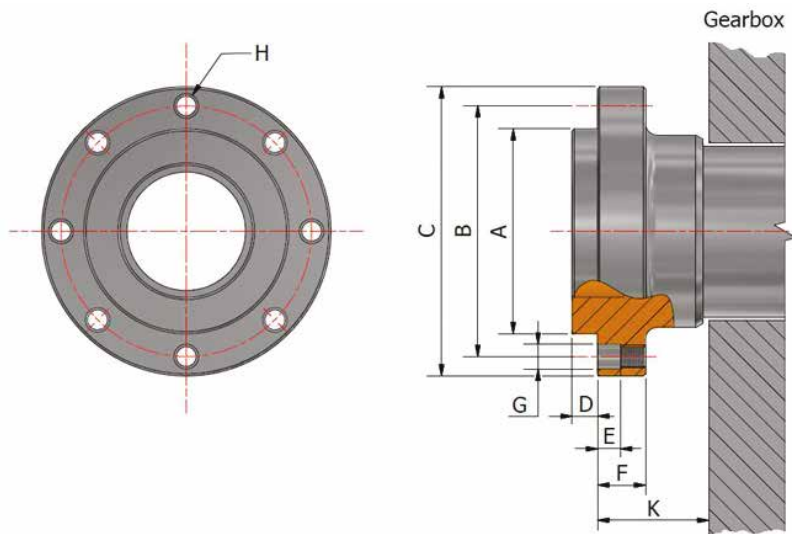
※ The capacity for classification may differ from the capacity on the table, please contact our sales team.

DMT600DL Dimensions



A	B	E	F	G	H	I	J	Ø
921	671	357	710	360	360	460	642	245

Bell Housing Standard	Driving Ring	C	D	M(1)	M(2)	K
SAE #0	18"	647	571	-	160	15



A	B	C	D	E	F	G	H	K
Ø129	$\begin{matrix} 0 \\ -0.02 \end{matrix}$	Ø155	Ø177	9	11	25	8-M14 P1.5	37.5