

MARINE TRANSMISSION

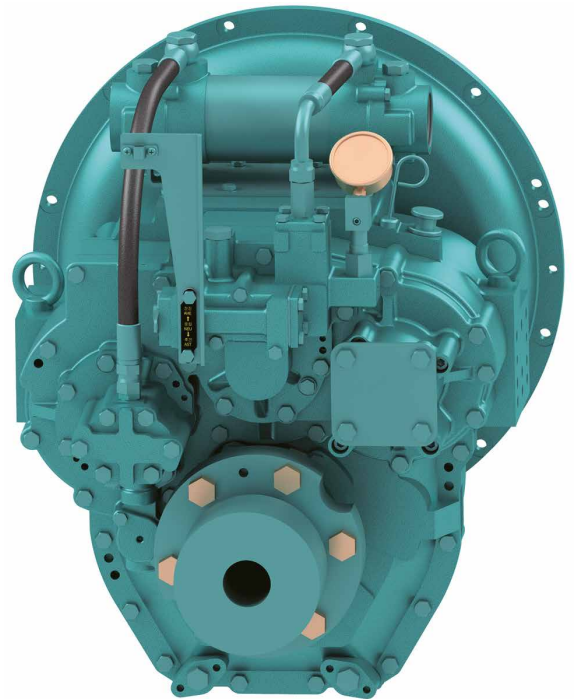
DMTP5100

■ Standard Scope Of Supply

- Bell Housing (SAE 1, 2, 3)
- Dual Stage Coupling(14" 11.5")
- Propeller Coupling, Reamer Bolt
- Manual Control Valve
- Oil Cooler
- Cable Bracket
- Live PTO

■ Options

- Manual Trolling Valve
- Electronic Control Valve(12V,24V)
- Manual Trolling Valve + Electronic Control Valve(12V,24V)
- Mounting Bracket (Flat type, L type)
- Parts for Live PTO(Pump Pad, Coupling)



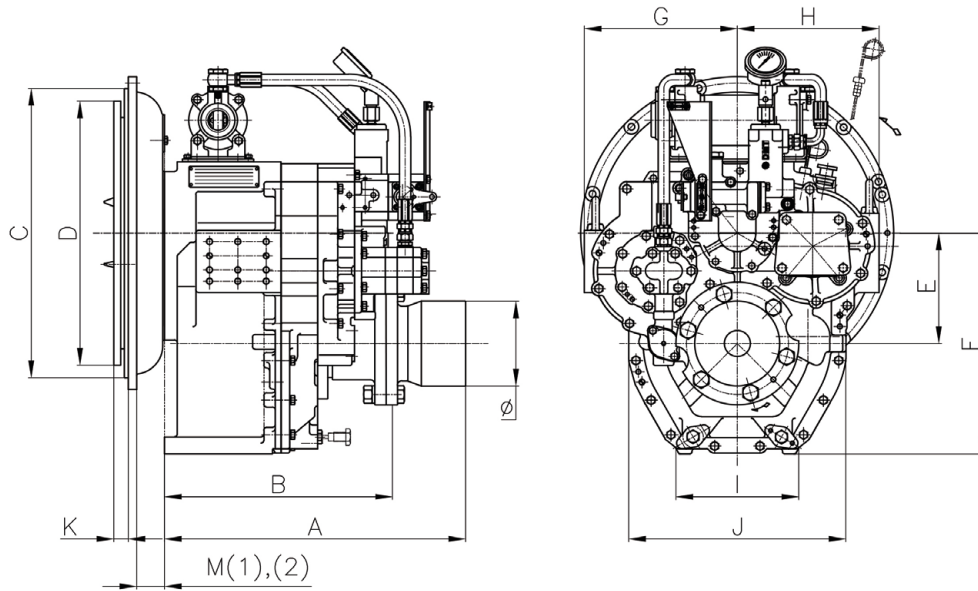
Model	Ratio	Max Input Torque		Capacity/RPM		Capacity/1800RPM		Max Input (RPM)	Bell Housing (SAE)	DRY WEIGHT (kg)
		(kgf.m)	(N.m)	kW	HP	kW	HP			
DMT5100	1.47*, 1.76*, 1.93*	168	1648	0.172	0.231	310	416	2500	1, 2, 3	215
	2.48, 3.08	150	1471	0.153	0.206	276	370	2500		
	3.46	130	1275	0.133	0.178	240	322	2500		

*Special Order Ratio

※ The dry weight is the weight that excludes bell housing, coupling (rubber block, dual stage, Centa flexible) and propeller coupling from the standard scope of supply.

※ The capacity for classification may differ from the capacity on the table, please contact our sales team.

DMT5100 Dimensions

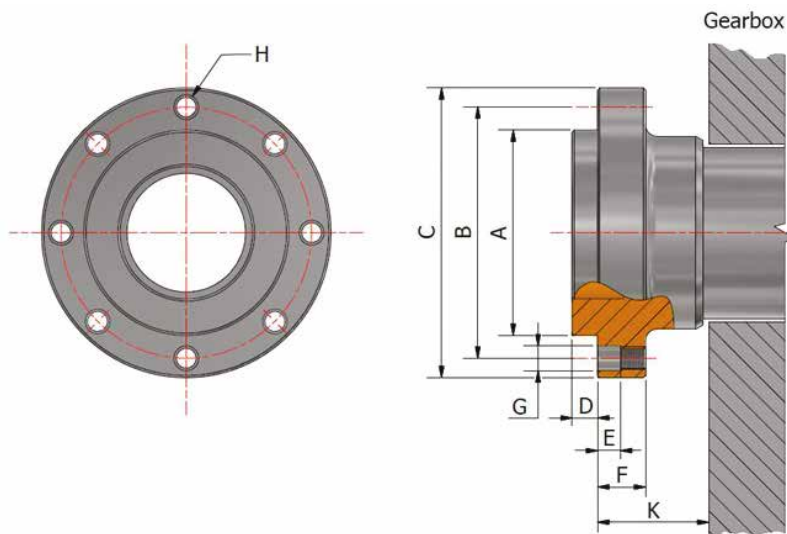


mm

A	B	E	F	G	H	I	J	Ø
531	391	195	390	270	250	206	383	150

mm

Bell Housing Standard	Driving Ring	C	D	M(1)	M(2)	K
SAE#1	14"	511	466	64	-	25
SAE#2	11.5"	447	325	46	-	39
SAE#3	11.5"	409	325	69	-	39



mm

A	B	C	D	E	F	G	H	K
Ø90	$\begin{matrix} 0 \\ -0.02 \end{matrix}$	Ø110	Ø127	11.5	10	21	8-M10 P1.25	37.5