



MARINE GENERATORS

60 GS/GSC 230V EMR2

Single-Phase

General data

| | | | |
|-----------------------|----------------|-----------------|---------|
| Maximum power* | 59 kW (60 kVA) | Voltage | 230 V |
| Prime Power** | 53.6 kW | Amperage | 256.5 A |
| Frequency | 50 Hz | Phases | 1 |

Dimensions and weights

| | | | |
|------------------------------------|---------|---------------------------------|---------|
| Total length without canopy | 1760 mm | Total length with canopy | 2150 mm |
| Total width without canopy | 899 mm | Total width with canopy | 865 mm |
| Total height without canopy | 969 mm | Total height with canopy | 1048 mm |
| Dry weight without canopy | 996 Kg | Dry weight with canopy | 1108 Kg |

Engine

| | | | |
|---------------------------------|----------------------------|-----------------------------|----------------------------|
| Base engine manufacturer | Deutz | Diameter | 108 mm (4.25 in) |
| Model | SDZ-109E | Stroke | 130 mm (5.12 in) |
| Type | Diesel, 4 stroke | Compression ratio | 19:1 |
| Engine RPM | 1500 | Injection system | Mechanical and direct |
| Number of cylinders | 4 | Intake system | Turbocharged |
| Total displacement | 4764 cc | SAE Flywheel housing | SAE 2 |
| Oil | SAE 15W40 | Coolant capacity | 17.5 L (4.62 gal) |
| Oil capacity | 11 L (2.91 gal) | Flywheel | SAE 11 1/2 |
| Power | 81 kW (110.16 CV) | Coolant flow rate | 141.45 l/min (37.37 gal/m) |
| Salt water flow rate | 107.43 l/min (28.38 gal/m) | Intake air flow rate | 5.5 m3/m |
| Exhaust type | Wet exhaust elbow | V-Belt Protection | Optional |

Rating conditions according to ISO 3046 (100 kPa barometric pressure, 30 % relative humidity abd 25 °C (77 ° F))

* Maximum output power: maximum power supplied by the genset at full load

** Prime Power: rated power according to ISO 3046 and ISO 8528-1. 10 % overload capacity one hour in twelve hours.

Fuel system details

1 kW 1,36 CV 1 kW 1,36 HP (metric) 1 kW 1,36 CH

45580 - 10/24

Fuel system details

| | | | |
|-------------------------|---------------------|----------------------------|---------------------|
| Consumption 25% | 4.8 l/h (1.27 gal) | Fuel type | Diesel |
| Consumption 50% | 8.9 l/h (2.35 gal) | Fuel standards | Fueloil diesel ASTM |
| Consumption 75% | 13 l/h (3.43 gal) | Injection pump type | Individual |
| Consumption 100% | 17.3 l/h (4.57 gal) | Governor type | Electronical |

Electrical system

| | | | |
|----------------------------|----------|-----------------------------|----------|
| Battery voltage | 24 V | Stop solenoid type | ETS |
| Starter motor | 4 kW | Alternator | 35 A |
| Earth isolated | Included | IP 65 box kit | Optional |
| SCO 11 double panel | Optional | Current transformers | Included |

Installation details

| | | | |
|---|-----------------|--------------------------------------|-----------------|
| Exhaust hose inner diameter | 90 mm (3.54 in) | Maximum fuel lift height | 1.3 m (4.27 ft) |
| Sea water hose inner diameter | 42 mm (1.65 in) | Maximum raw water lift height | 4 m (157.48 in) |
| Fuel feeding hose inner diameter | 12 mm (0.47 in) | Maximum sea water temperature | 32 ° (89.6 °F) |
| Fuel return hose inner diameter | 12 mm (0.47 in) | Maximum installation angle*** | 10 ° |
| Minimum battery capacity | 24 V 90 Ah | | |

Alternator details

| | | | |
|------------------------|--------------|--------------------------------------|------------------------|
| Brand | Meccalte | Cos Phi | 1 |
| Model | ECP34 1S 4 C | Tropicalized | Yes |
| Regulator type | DSR | Excitation system | Brushless |
| Number of poles | 4 | Voltage regulation accuracy** | 0,01 |
| Isolation type* | H | Alternator type | Synchronous |
| IP protection | 23 | Standards | EN60034-1, IEC 60034-1 |

Standard equipment

| | |
|---------------------------------|-------------------------------|
| Earth isolated | Anti Vibration Mounts |
| Amperometric transmitter kit | SCO 10 control panel |
| 4 m electrical wiring extension | Owner´s and alternator manual |
| Oil extraction pump | Packaging |
| Rigid bed | |

Optional accessories

| | |
|--|--------------------|
| Siphon break kit mandatory if generator is below waterline | Water Filters |
| Service/Cruise Kits: fuel and oil filters, raw water pump, impeller, alternator belt,... | Sea water cock |
| Dry Exhaust system | Welcome Kit |
| Wet Exhaust System | Kit Power Take-off |

* Other protections available

** With load from 0 to 100%, speed variation from -2% up to +5%, power factor 0,8 linear and balanced load.

*** In all directions

For other requirements please contact the Sales Dept.

SCO 11 Panel



General Description

| |
|---|
| Graphic LCD with light, 128 x 64 pixels display |
| Genset measures (see Display Information) |
| Configuration protected by user and password |
| Running hour indication |
| Multilenguaje |
| Event history log |
| Genset protections (see Alarm Management) |
| Preheating function |
| D+ pre-excitation Terminal |
| Built-in PLC function |
| CAN bus information with SAE J1939 protocol |
| Maintenance hours control |
| Dimensions 195 x 135 x 47 mm |
| Board Cutting 172 x 112 mm |
| Weight 450 g |

Alarm Management

| |
|--------------------------------|
| Shut Downs (SD) |
| High coolant temperature |
| Low oil pressure |
| Overspeed |
| Overload* |
| Short circuit* |
| Overcurrent* |
| Over/Under voltage |
| Over/Under frequency |
| Emergency stop |
| Warnings (WRN) |
| High coolant temperature |
| Low oil pressure |
| Over/Under Battery voltage |
| Maintenance request |
| Sensor failure detection (FLS) |

Operating modes

| | |
|-------------------------------------|-----------------------------------|
| OFF Mode | AUT Mode (auto start/stop engine) |
| MAN Mode (manual start/stop engine) | |

Power Supply

| |
|--|
| Voltage supply 12/24 DC with fuse protection |
| Consumption 80mA (12V) or 51 (24V) |

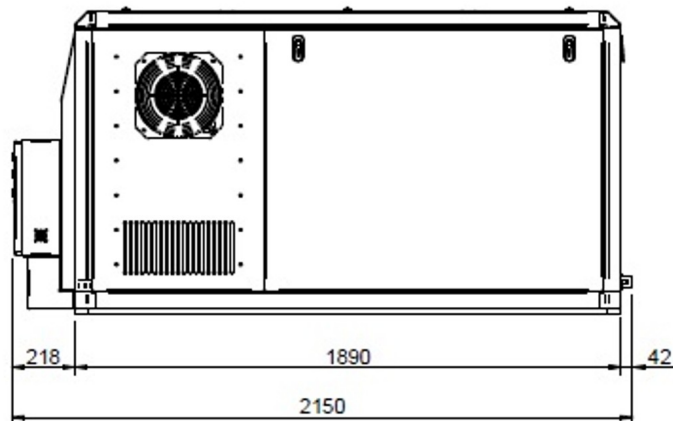
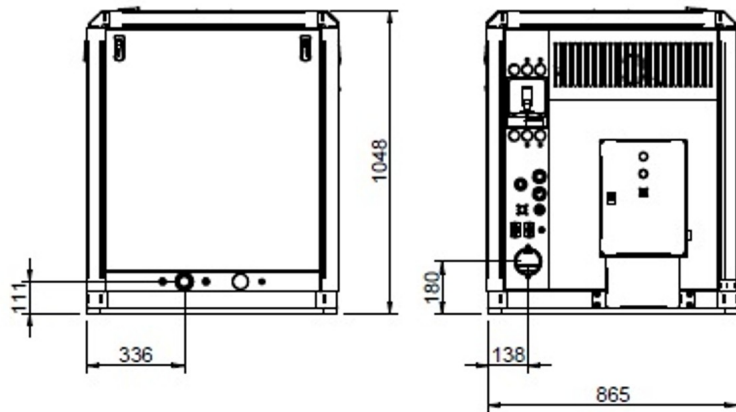
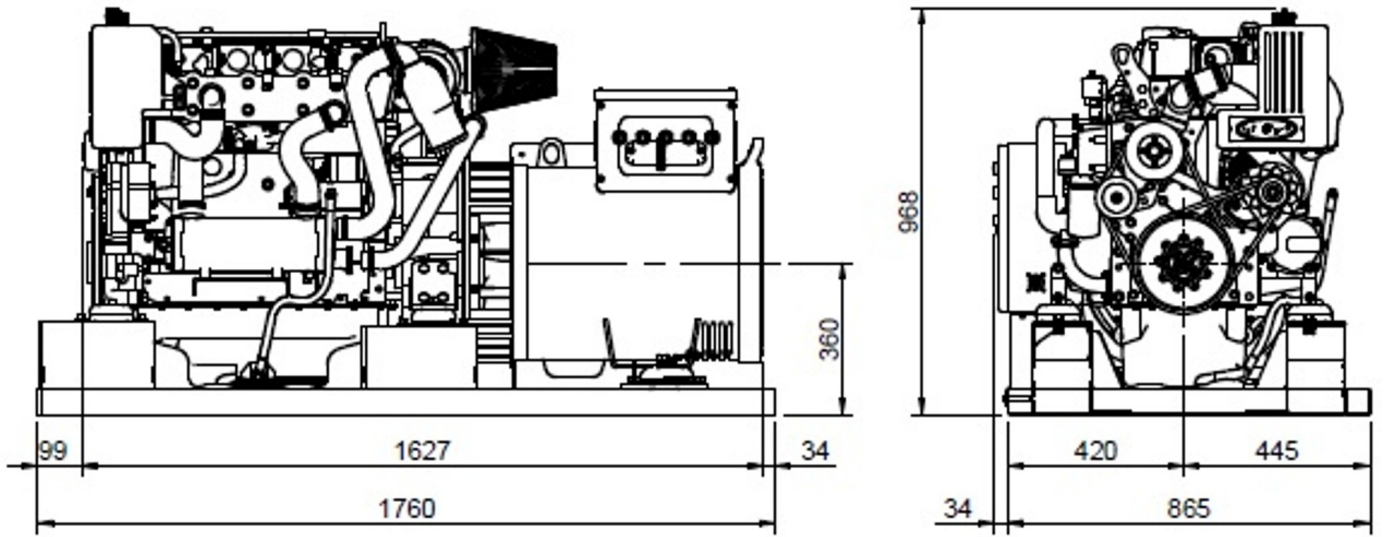
Operating Conditions

| |
|---|
| Operating temperature -20+70 °C |
| Humidity 95 % without condensation |
| Front Panel Protection IP65 |
| Standard Conformity |
| EN 61000-6-2, EN 61000-6-4, EN 61010-1 |
| EN 60068-2-6 (2÷25 Hz / ±1,6 mm; 25÷100 Hz / 4.0 g) |
| EN 60068-2-30:2005 25/55°C, RH 95%, 48hours |
| EN 60529 (front panel IP65, back side IP20) |

Display Information

| |
|--|
| Measurement |
| L1-L3 Voltage (V), Frequency (Hz), Oil Pressure (bar) |
| Coolant Temperature (°C), Battery voltage (V), RPM |
| Active Power* (kW), Apparent Power* (kVA), Current* (A), PF* |
| History log |

Dimensions



Authorized dealer



Detailed drawings, brochures and manuals are available on the web soleadvantage.com. All rights reserved. Technical specifications, data and presentation are subjected to variations, changes and updates without prior notice. Non-contractual information.

