



## MARINE GENERATORS

# 25 GT/GTC 230V TAC ELECTRONIC GOVERNOR

Three-Phase

### General data

<b>Maximum power*</b>	19.36 kW (24.2 kVA)	<b>Voltage</b>	230 V
<b>Prime Power**</b>	17.6 kW	<b>Amperage</b>	60.75 A
<b>Frequency</b>	50 Hz	<b>Phases</b>	3

### Dimensions and weights

<b>Total length without canopy</b>	1140 mm	<b>Total length with canopy</b>	1310 mm
<b>Total width without canopy</b>	610 mm	<b>Total width with canopy</b>	610 mm
<b>Total height without canopy</b>	662 mm	<b>Total height with canopy</b>	698 mm
<b>Dry weight without canopy</b>	351 Kg	<b>Dry weight with canopy</b>	412 Kg

### Engine

<b>Base engine manufacturer</b>	Mitsubishi	<b>Diameter</b>	88 mm (3.46 in)
<b>Model</b>	MINI-63	<b>Stroke</b>	103 mm (4.06 in)
<b>Type</b>	Diesel, 4 stroke	<b>Compression ratio</b>	22:1
<b>Engine RPM</b>	1500	<b>Injection system</b>	Mechanical and indirect
<b>Number of cylinders</b>	4	<b>Intake system</b>	Naturally aspirated
<b>Total displacement</b>	2505 cc	<b>SAE Flywheel housing</b>	SAE 4
<b>Oil</b>	SAE 15W40	<b>Coolant capacity</b>	9.5 L (2.51 gal)
<b>Oil capacity</b>	6.5 L (1.72 gal)	<b>Flywheel</b>	SAE 7 1/2
<b>Power</b>	20.8 kW (28.29 CV)	<b>Coolant flow rate</b>	52 l/min (13.74 gal/m)
<b>Salt water flow rate</b>	38 l/min (10.04 gal/m)	<b>Intake air flow rate</b>	1.65 m <sup>3</sup> /m
<b>Exhaust type</b>	Wet exhaust elbow	<b>V-Belt Protection</b>	Included

Rating conditions according to ISO 3046 (100 kPa barometric pressure, 30 % relative humidity abd 25 °C (77 ° F))

\* Maximum output power: maximum power supplied by the genset at full load

\*\* Prime Power: rated power according to ISO 3046 and ISO 8528-1. 10 % overload capacity one hour in twelve hours.

Fuel system details

1 kW □ 1,36 CV 1 kW □ 1,36 HP (metric) 1 kW □ 1,36 CH

45611 - 11/24

## Fuel system details

<b>Consumption 25%</b>	2.3 l/h (0.61 gal)	<b>Fuel type</b>	Diesel
<b>Consumption 50%</b>	3.4 l/h (0.9 gal)	<b>Fuel standards</b>	Fueloil diesel ASTM
<b>Consumption 75%</b>	4.6 l/h (1.22 gal)	<b>Injection pump type</b>	In line
<b>Consumption 100%</b>	6.1 l/h (1.61 gal)	<b>Governor type</b>	Mechanical

## Electrical system

<b>Battery voltage</b>	12 V	<b>Stop solenoid type</b>	ETR
<b>Starter motor</b>	2 kW	<b>Alternator</b>	50 A
<b>Earth isolated</b>	Included	<b>IP 65 box kit</b>	Optional
<b>SCO 11 double panel</b>	Optional	<b>Current transformers</b>	Optional

## Installation details

<b>Exhaust hose inner diameter</b>	60 mm (2.36 in)	<b>Maximum fuel lift height</b>	0.6 m (1.97 ft)
<b>Sea water hose inner diameter</b>	32 mm (1.26 in)	<b>Maximum raw water lift height</b>	3 m (118.11 in)
<b>Fuel feeding hose inner diameter</b>	G1/8	<b>Maximum sea water temperature</b>	32 ° (89.6 °F)
<b>Fuel return hose inner diameter</b>	-	<b>Maximum installation angle***</b>	15 °
<b>Minimum battery capacity</b>	12 V 95 Ah		

## Alternator details

<b>Brand</b>	Sincro	<b>Cos Phi</b>	0,8
<b>Model</b>	SK 160 LB	<b>Tropicalized</b>	No
<b>Regulator type</b>	BL4	<b>Excitation system</b>	Brushless
<b>Number of poles</b>	4	<b>Voltage regulation accuracy**</b>	1%
<b>Isolation type*</b>	H	<b>Alternator type</b>	Synchronous
<b>IP protection</b>	23	<b>Standards</b>	EN 60034-1, IEC 60034-1, ISO 8528-3

## Standard equipment

Earth isolated	V-Belt Protection
Double wall injection pipes and fuel leak alarm	Spray stop kit
Dual fuel filter	Sensors certified by the rating company
CO-40 panel for engine/primer mover	Reinforced bed and silentblocks
Electronic regulator	6 m wiring extension
Electronic actuator	Packaging
Documentation: manual, test, declaration of conformity	Oil extraction pump

## Optional accessories

Siphon break kit mandatory if generator is below waterline	Exhaust System
Engine electrical system at 24 V	Keel Cooling conversion for dry and wet exhaust
Service/Cruise Kits: fuel and oil filters, raw water pump, impeller, alternator belt,...	Exhaust Hose
Dry Exhaust system	Water Filters

\* Other protections available

\*\* With load from 0 to 100%, speed variation from -2% up to +5%, power factor 0,8 linear and balanced load.

\*\*\* In all directions

For other requirements please contact the Sales Dept.

# COMAP PANEL CO 40



## General Description

Control, monitoring and protection for marine engines (signal alternator not included)
For Emergency, Auxiliary, Harbor and Propulsion engines
Redundant module ID-RPU with hardwired safety functions activated in backup mode
Switching between primary and secondary battery (with ID-RPU module)
Connection to engine via primary J1939 and backup J1587 buses
Event driven History record
14 binary inputs, 14 binary outputs, 8 analog inputs
Slave panels for remote control
Type approval from major certification societies
Configuration protected by password
Running hour indication
Multilanguage
D+ pre-excitation Terminal

## Alarm Management

1 Emergency stop input
5 Shutdown inputs
1 RPM input
Common warning and common shutdown output terminals
Stop solenoid, fuel solenoid outputs
Redundant power supply
I/O broken wire detection

## Optional Equipment

Power supply: Nominal power supply 24 VDC	Flash memory data retention time 10 years
Power supply range 6 - 36 VDC	Standard Conformity
Current consumption (depends on supply voltage)	Low Voltage Directive
0,34 A at 8 VDC 0,12 A at 24 VDC 0,09 A at 36 VDC	EN 61010-1:95 +A1:97
Battery voltage measurement tolerance 2% at 24 V	Electromagnetic Compatibility
RTC battery life-cycle 10 year	EN 61000-6-2, October 2001
Operating temperature -10 to +70 °C	EN 61000-6-4, October 2001
Storage temperature -30 to +80 °C	IEC 60533, Ed. 2; 1999-11
Humidity 95% Without condensation	

## Alternator Measurements

180 x 120 mm front panel mounted case
Weight 800g
Graphic black-lit LCD display 128x64 pixel resolution with icons and bar graphs
LED status indicators / Lamp test
Protection front panel IP65

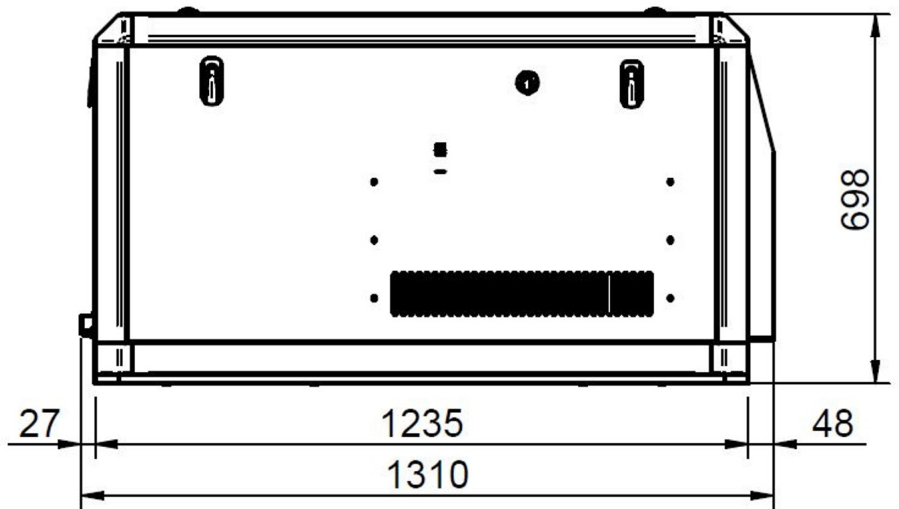
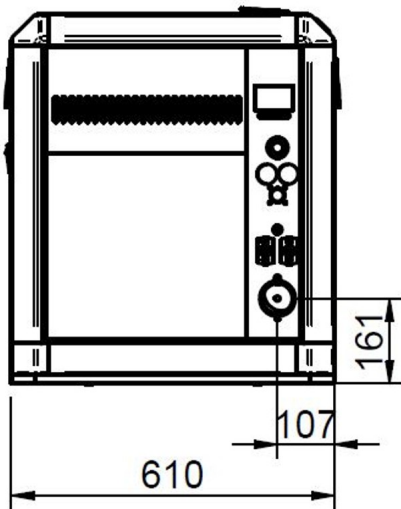
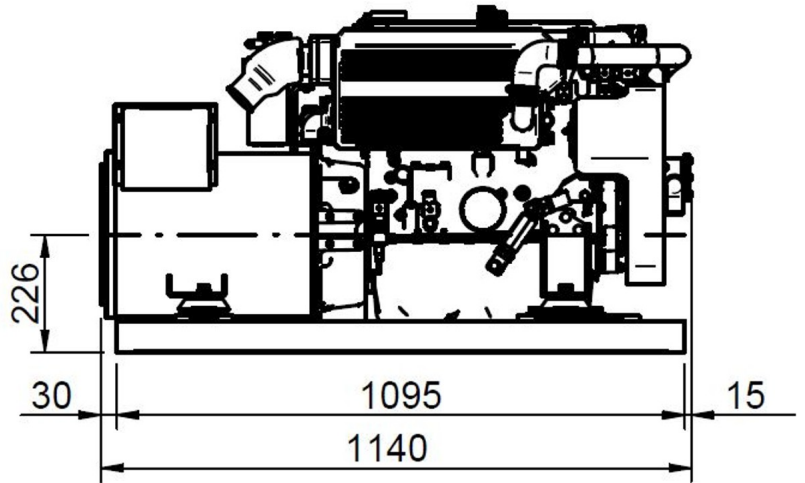
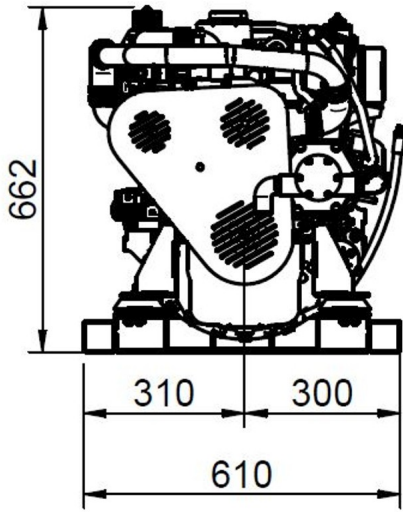
## Extension

Oil Pressure (bar)
Oil Temperature (°C)
Coolant Temperature (°C)
Coolant Pressure (bar)
Battery Voltage (V)
RPM
History log

## Intelligen200 Panel Features

High coolant temperature
High oil temperature
Fuel leakages
Low oil pressure
Low coolant pressure
Overspeed
Emergency stop
Low battery voltage
Maintenance request
Sensor Fails (FLS)

## Dimensions



Detailed drawings, brochures and manuals are available on the web [soleadvance.com](http://soleadvance.com). All rights reserved.  
 Technical specifications, data and presentation are subjected to variations, changes and updates without prior notice.  
 Non-contractual information.



Authorized dealer