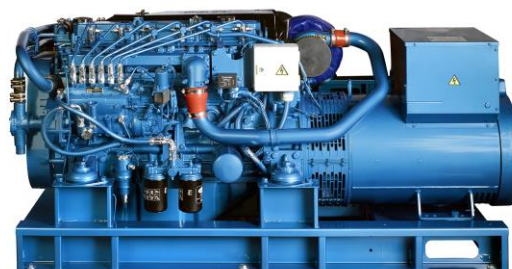


84 GTA/GTAC TAC

Three-Phase

**General data**

| | | | |
|------------------------|------------------|------------------|---------|
| Maximum power*: | 66 kW (82,5 kVA) | Voltage: | 480 V |
| Prime Power**: | 60 kW | Amperage: | 99,23 A |
| Frequency: | 60 Hz | Phases: | 3 |

Dimensions and weights

| | | | |
|-------------------------------------|---------|----------------------------------|---------|
| Total length without canopy: | 1722 mm | Total length with canopy: | 1903 mm |
| Total width without canopy: | 700 mm | Total width with canopy: | 840 mm |
| Total height without canopy: | 822 mm | Total height with canopy: | 848 mm |
| Dry weight without canopy: | 759 Kg | Dry weight with canopy: | 869 Kg |

Engine

| | | | |
|----------------------------------|------------------------|------------------------------|-------------------------|
| Base engine manufacturer: | Mitsubishi | Diameter: | 94 mm (3,7 in) |
| Model Solé Diesel: | SM-81 | Stroke: | 120 mm (4,72 in) |
| Type: | 4 No. of Strokes | Compression ratio: | 17:1 |
| Engine RPM: | 1800 | Injection system: | Mechanical and indirect |
| Number of cylinders: | 6 | Intake system: | Turbocharged |
| Total displacement: | 4996 cc | SAE Flywheel housing: | SAE 3 |
| Oil: | SAE 15W40 | Coolant capacity: | 21 L (5,55 gal) |
| Oil capacity: | 12 L (3,17 gal) | Flywheel: | SAE 11 1/2 |
| Power: | 70 kW (95,2 CV) | Coolant flow rate: | 70 l/min (18,49 gal/m) |
| Salt water flow rate: | 38 l/min (10,04 gal/m) | Intake air flow rate: | 4,2 m3/m |

Rating conditions according to ISO 3046 (100 kPa barometric pressure, 30 % relative humidity and 25 °C (77 ° F))

* Maximum output power: maximum power supplied by the genset at full load

** Prime Power: rated power according to ISO 3046 and ISO 8528-1. 10 % overload capacity one hour in twelve hours.

1 kW \cong 1,36 CV 1 kW \cong 1,36 HP (metric) 1 kW \cong 1,36 CH

Fuel system details

| | | | |
|--------------------------|-----------------------|-----------------------------|---------------------|
| Consumption 25%: | 6,2 L/H (1,64 Gal/H) | Fuel type: | Diesel |
| Consumption 50%: | 9,7 L/H (2,56 Gal/H) | Fuel standards: | Fueloil diesel ASTM |
| Consumption 75%: | 13,2 L/H (3,49 Gal/H) | Injection pump type: | In line |
| Consumption 100%: | 17,4 L/H (4,6 Gal/H) | Governor type: | Mechanical |

Electrical system

| | | | |
|-------------------------|----------|----------------------------|------|
| Battery voltage: | 12 V | Stop solenoid type: | ETR |
| Starter motor: | 3 kW | Alternator: | 50 A |
| Earth isolated: | Included | | |

Installation details

| | | | |
|------------------------------------------|-----------------|---------------------------------------|------------------|
| Exhaust hose inner diameter: | 90 mm (3,54 in) | Maximum fuel lift height: | 0,6 m (1,97 ft) |
| Sea water hose inner diameter: | 32 mm (1,26 in) | Maximum raw water lift height: | 2,5 m (98,43 in) |
| Fuel feeding hose inner diameter: | G3/8 | Maximum sea water temperature: | 32 °C (89,6 °F) |
| Fuel return hose inner diameter: | G1/8 | Maximum installation angle***: | 15 ° |
| Minimum battery capacity: | 12 V 120 Ah | | |

Alternator details

| | | | |
|-------------------------|------------|---------------------------------------|------------------------|
| Brand: | Meccalte | Cos φ: | 0,8 |
| Model: | ECP32-3L/4 | Tropicalized: | Yes |
| Regulator type: | DSR | Excitation system: | BRUSHLESS |
| Number of poles: | 4 | Voltage regulation accuracy**: | 1% |
| Isolation type*: | H | Standards: | EN60034-1, IEC 60034-1 |
| IP protection*: | 23 | Alternator type: | Synchronous |

Standard equipment

| | |
|--------------------------------------------------------|-----------------------------------------|
| Earth isolated | Spray stop kit |
| Double wall injection pipes and fuel leak alarm | Sensors certified by the rating company |
| Dual fuel filter kit | Reinforced bed and silentblocks |
| Control panel for CO-40 engine | 6 m wiring extension |
| Documentation: manual, test, declaration of conformity | Packaging |
| Belt protection | Oil extraction pump |

Optional accessories

| | |
|------------------------------------------------------------------------------------------|----------------------------------------------------|
| Siphon break kit mandatory if generator is below waterline | Water Filters |
| Engine electrical system at 24 V | Sea water cock |
| Service/Cruise Kits: fuel and oil filters, raw water pump, impeller, alternator belt,... | Welcome Kit |
| Dry Exhaust system | Fuel filter/water separator |
| Exhaust System | Gas/Water Separator |
| Keel Cooling conversion for dry and wet exhaust | Raw water hose |
| Electronic regulator | Paralel system |
| Electronic actuator | TAC certificate by serial number for generator set |
| Exhaust Hose | |

* Other protections available

** With load from 0 to 100%, speed variation from -2% up to +5%, power factor 0,8 linear and balanced load.

*** In all directions

For other requirements please contact the Sales Dept.



COMAP PANEL CO 40



General Description

- Control, monitoring and protection for marine engines (signal alternator not included)
- For Emergency, Auxiliary, Harbor and Propulsion engines
- Redundant module ID-RPU with hardwired safety functions activated in backup mode
- Switching between primary and secondary battery (with ID-RPU module)
- Connection to engine via primary J1939 and backup J1587 buses
- Event driven History record
- 14 binary inputs, 14 binary outputs, 8 analog inputs
- Slave panels for remote control
- Type approval from major certification societies
- Configuration protected by password
- Running hour indication
- Multilanguage

ID – RPU Redundant Protection Unit

- 1 Emergency stop input
- 5 Shutdown inputs
- 1 RPM input
- Common warning and common shutdown output terminals
- Stop solenoid, fuel solenoid outputs
- Redundant power supply
- I/O broken wire detection

Technical data

- Power supply: Nominal power supply 24 VDC
- Power supply range 6 - 36 VDC
- Current consumption (depends on supply voltage)
0,34 A at 8 VDC 0,12 A at 24 VDC 0,09 A at 36 VDC
- Battery voltage measurement tolerance 2% at 24 V
- RTC battery life-cycle 10 year
- Operating temperature -10 to +70 °C
- Storage temperature -30 to +80 °C
- Humidity 95% Without condensation
- Flash memory data retention time 10 years

Standard Conformity

- Low Voltage Directive
EN 61010-1:95 +A1:97
- Electromagnetic Compatibility
EN 61000-6-2, October 2001
EN 61000-6-4, October 2001
IEC 60533, Ed. 2; 1999-11

Physical

- 180 x 120 mm front panel mounted case
- Weight 800g
- Graphic black-lit LCD display 128x64 pixel resolution with icons and bar graphs
- LED status indicators / Lamp test
- Protection front panel IP65

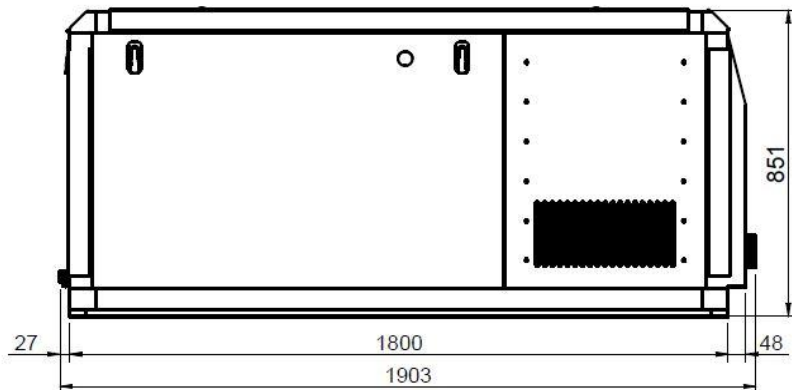
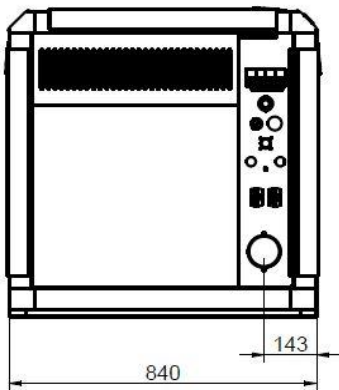
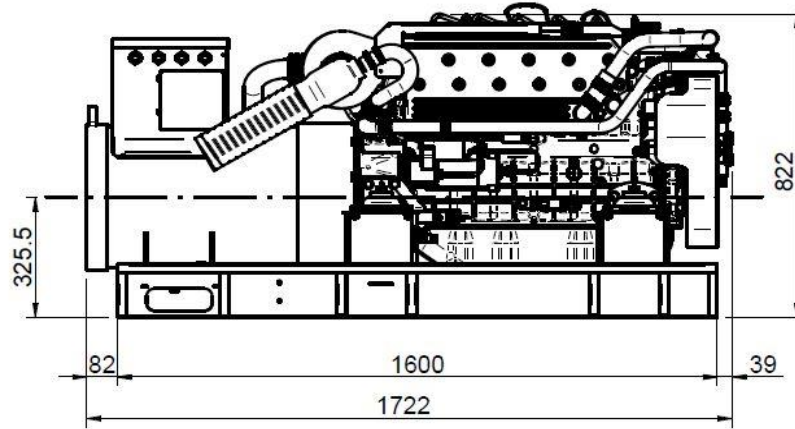
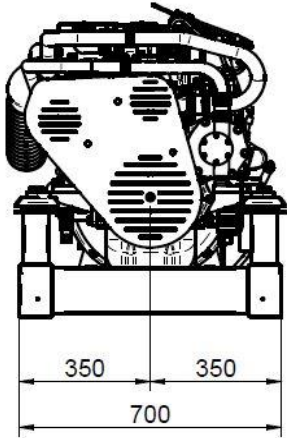
Display information

- Oil Pressure (bar)
- Oil Temperature (°C)
- Coolant Temperature (°C)
- Coolant Pressure (bar)
- Battery Voltage (V)
- RPM
- History log

Alarm Management

- High coolant temperature
- High oil temperature
- Fuel leakages
- Low oil pressure
- Low coolant pressure
- Overspeed
- Emergency stop
- Low battery voltage
- Maintenance request
- Sensor Fails (FLS)

Dimensions



Authorized dealer

www.solediesel.com

info@solediesel.com

Detailed drawings, brochures and manuals are available on the web [solediesel.com](http://www.solediesel.com). All rights reserved. Technical specifications, data and presentation are subjected to variations, changes and updates without prior notice. Non-contractual information.