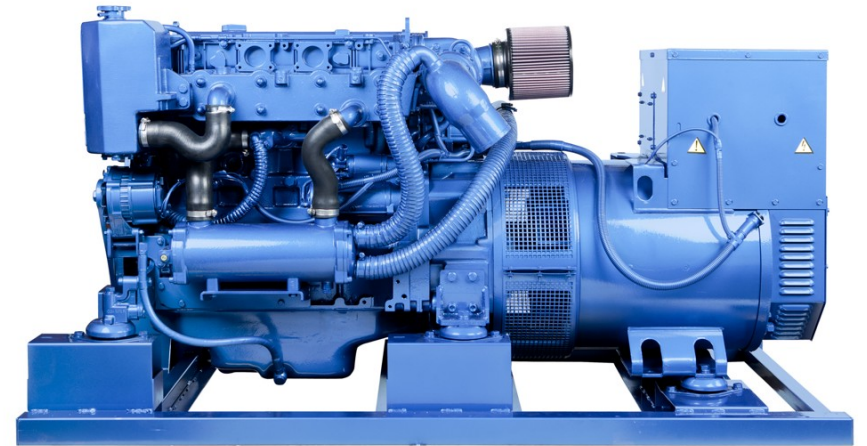




Genset 60 GSC EMR2

VERSION 2024-5

PART LIST



PARTS LIST CATALOGUE

NORMS TO PLACE AN ORDER

For fast and more efficient service, please specify the following information on spare parts orders that must be preferably done by e-mail as specified below:

- 1- Engine model: As shown in identification plate
- 2- Engine serial number: As shown in identification plate and stamped on crankcase
- 3- Item description + part number + quantity required

Spare parts requests must be addressed to :

orders@solediesel.com

Telf.: +34 93 775 44 05

The components shown in the catalog have:

- Figure: Number by which they are represented in scheme
- Description: Trade name of the component
- Quantity: Total number of parts used in the assembly of the part represented (may differ from the total minimum quantities)

Hoses, indicates the total length in meters

The diagrams shown in this catalog of spare parts, have only the purpose to identify the piece in question, its representation is not meaningful and may differ from the actual piece.

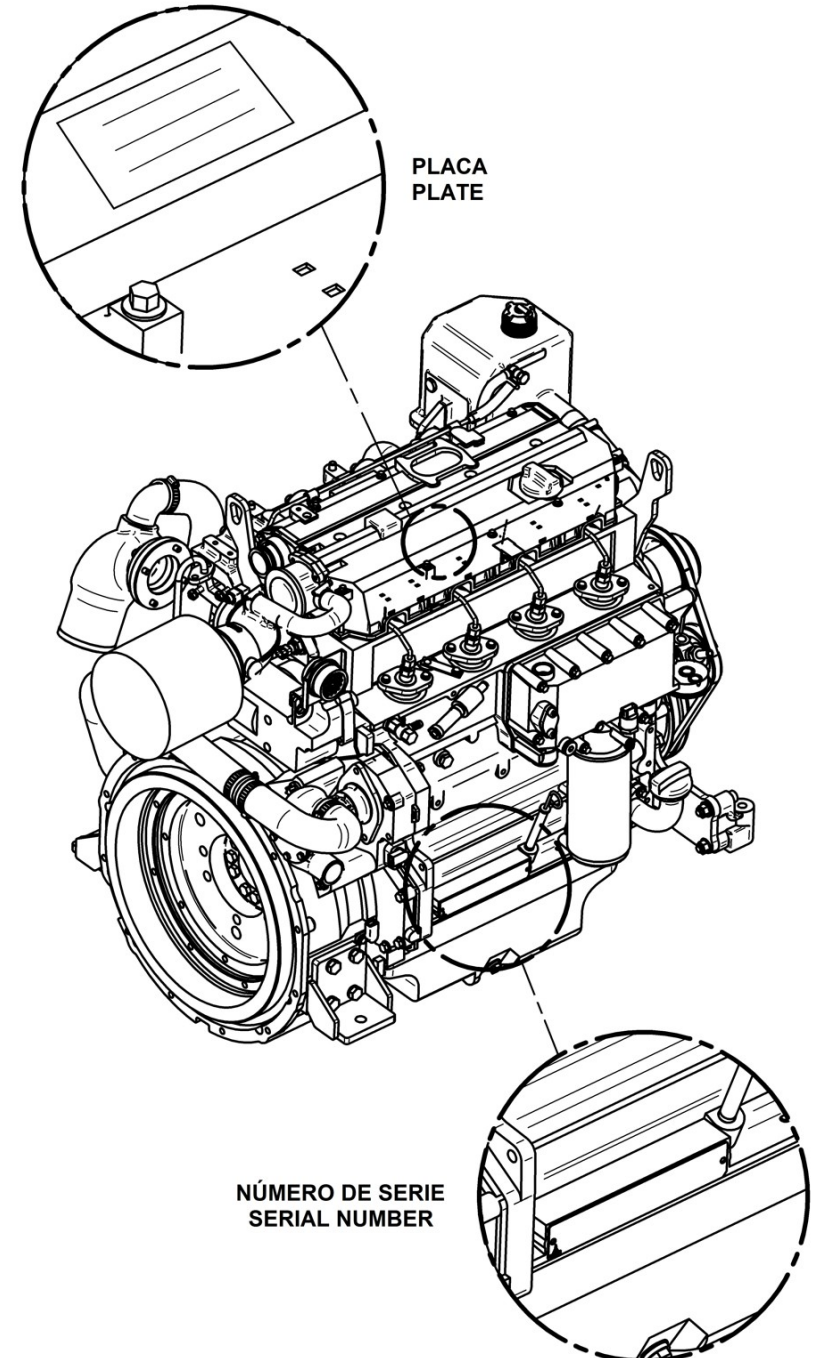
In case of doubt, contact Solé Diesel, or your authorized dealer.

The parts i / or references in this catalog are subject to change without notice.

SOLE, S.A.

C-243b, km, 2

08760 Martorell (Barcelona) Spain



Index

Engine Body

- Cylinder Head
- Rocker Cover & Breather
- Valve Drive
- Timing Parts
- Case,Gear
- Crankcase
- Flywheel Housing
- Piston & Connectiong Rod
- Crankshaft & Flywheel
- Oil Sysem
- Oil Pan
- Engine Brackets
- Cooler Assy,oil

Inlet & Exhaust

- Inlet
- Turbocharger
- Spare Parts, Turbocharger
- Exhaust Manifold
- Breather Line

Cooling System

- Water Pump
- Cooler Pipes
- Water Cooler Assy SDZ-165/205/280
- Wet Exhaust
- Expansion Tank
- Key Pump SDZ-165/205/280 Gr-109/165

Fuel System

- Fuel Pipe
- Injection Nozzle
- Fuel Injection Pump
- Regulator
- Fuel Filter
- Feed Pump

Electrical System

- 24V Electrical System
- Control Cabinets
- Panels for Genset
- Spare Parts List for Generator Panel
- Deutz Parallel Group Lengths

Genset Alternator Spare Parts

- Alternator 60 GSC EMR2
- Spare Part List Alternator Type C

Alternador Kit with Canopy

Chassis Spare Parts

- Genset Chassis
- Chassis

Canopy Spare Parts

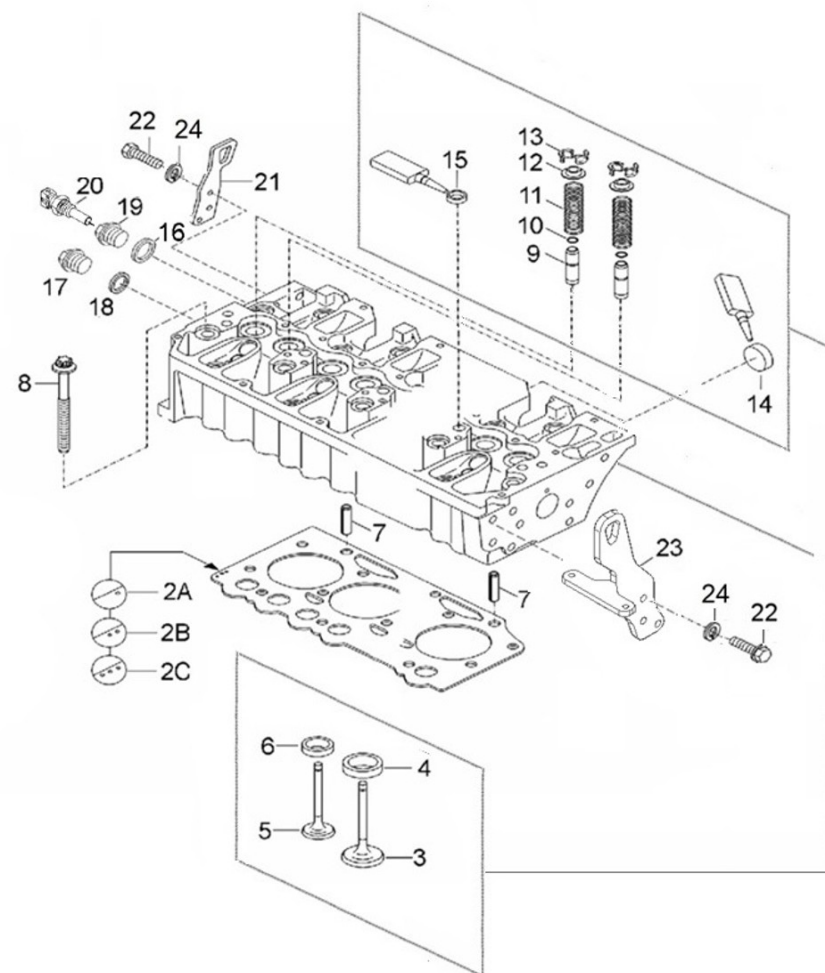
- Cabin
- Kit Cabin

Maintenance Kit

- Gasket Kit
- Fuel Filter
- Hand Pump
- Pipe Rubber Set SDZ-109 Genset V.S
- Repair Kit Water Pump
- Special Tools 1/4
- Special Tools 2/4
- Special Tools 3/4
- Special Tools 4/4

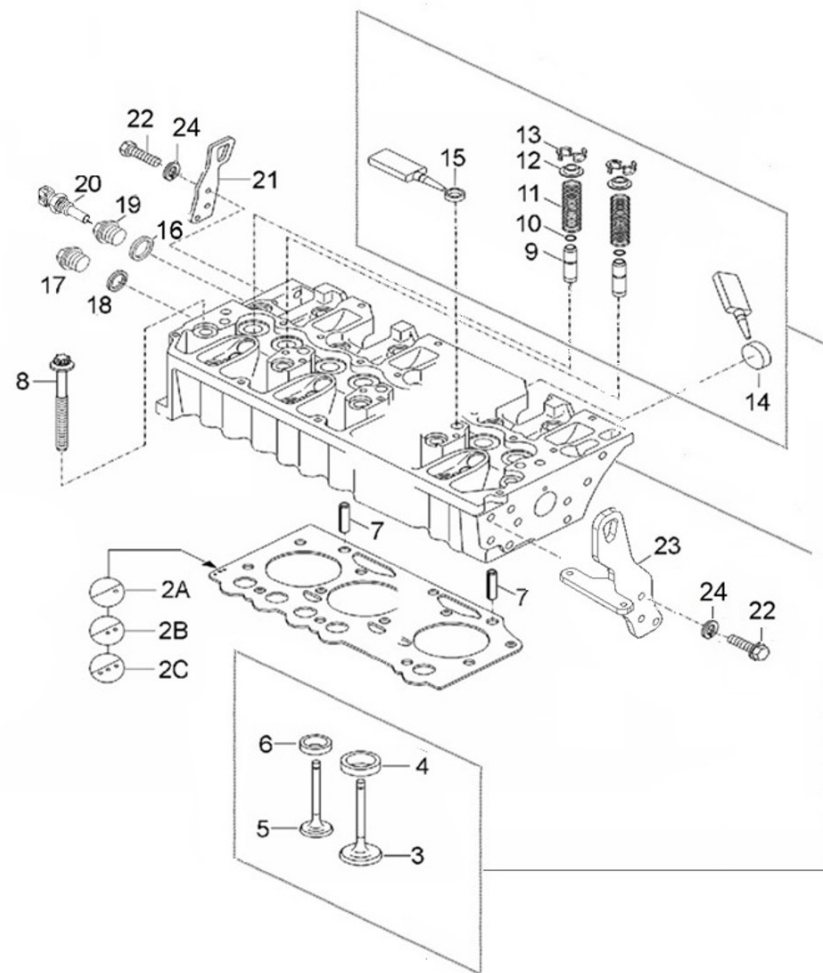
D_SDZ109EGTDN_01_1 Cylinder Head

Fig.	Ref.	Qty.	Descr.	Obs	From	UpTo
1	19421001G	1	Cylinder Head			
2A	19421004.4	1	Cylind.head gasket			
2B	19421004.3	1	Cylind.Head Gasket 1,64 mm			
2C	19421004.5	1	Cylind.head gasket			
3	19522055	4	Intake Valve			
4A	19421061	4	Valve Seat INSERT			
4B	19421061.1	4	OverSIZE Valve Seat INSERT - 1ST			
4C	19421061.2	4	OverSIZE Valve Seat INSERT - 2nd			
5	19522056	4	Exhaust Valve			
6A	19421062	4	Valve Seat INSERT			
6B	19421062.3	4	Oversize Valve seat insert - 1A			
6C	19421062.4	4	Oversize Valve seat insert - 2			
7	19421007	2	ClampING Bush			
8	19421005	18	Bolt,cylinder head			
9A	19421002A	8	Valve Guide			
9B	19421002.1	8	OverSIZE Valve Guide - 1ST			
9C	19421002.2	8	OverSIZE Valve Guide - 2nd			
10	19422054	8	O-Ring			
11	19422057	8	COMPRESSION Spring			
12	19422058	8	VALV.Spring RETAIN			
13	19422059	16	Valve COLLET			
14	19420011	2	Plug			
15	19421008	3	CORE Hole Plug			
16	19421019	1	SeallNG Ring			
17	19420071.1	1	Screw Plug			
18	19421016	1	SeallNG Ring			
19	19417003	1	Adapter Plug			
20	19427189.1	1	Temperature transmitter			
21	19410020	1	Bracket			
22	52102308	5	Bolt DIN 933 M10-25 8.8			
23	19414007	1	Bracket 2nd Filter			



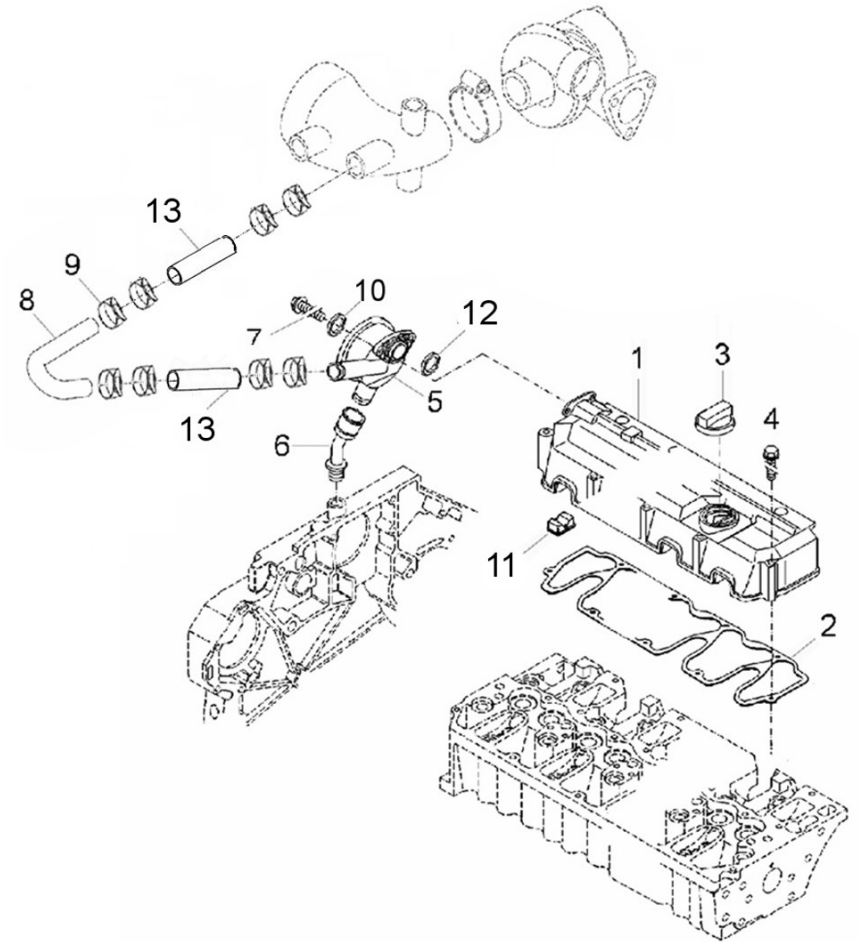
D_SDZ109EGTDN_01_1 Cylinder Head

Fig.	Ref.	Qty.	Descr.	Obs	From	UpTo
24	53033010	5	Washer GROWER DIN 127-10			
NS	19421017	1	SAFETY/LOCK.AGENT			



D_SDZ109EGTDN_01_2 Rocker Cover & Breather

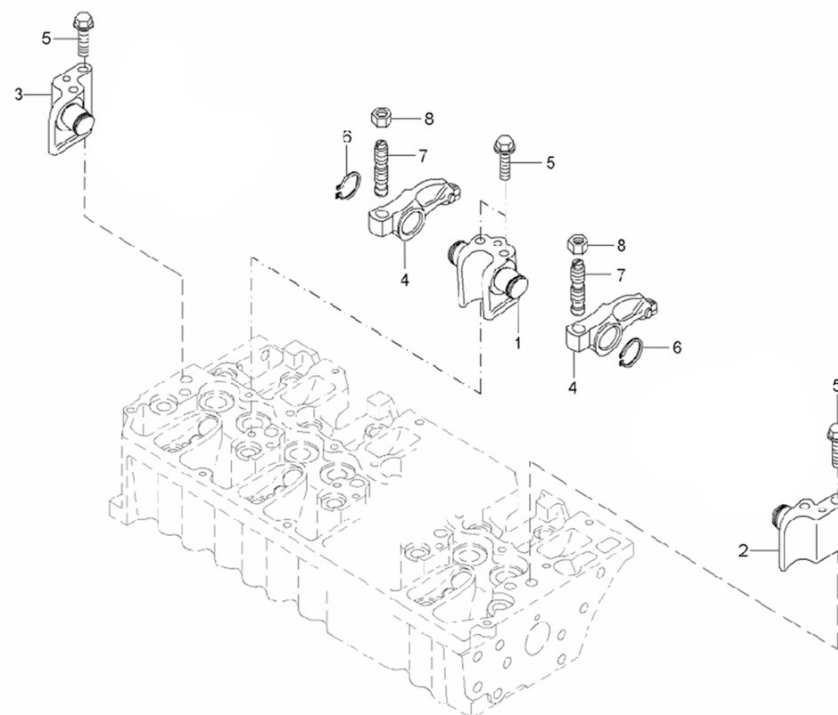
Fig.	Ref.	Qty.	Descr.	Obs	From	UpTo
1	19421009	1	Valve MECHAN.Cover			
2	19421010	1	Rocker Cover Gasket			
3	19421003	1	FILLER Cap			
4	19421012	4	HEXAGON Bolt			
5	19421051	1	Pressure REGULATO			
6	19421054	1	Rubber SLEEVE			
7	19621053	2	BOLT			
8	19411077	1	Brass Pipe D.22			
9	54081020	8	Clamp DIN 3017 20-32/9 W4			
10	19621056	2	WASHER			
11	19421011	1	Cap			
12	19421052	1	Gasket			
13	19411063	2	Rubber Hose D.22-32-70			



D_GJ01_1_3

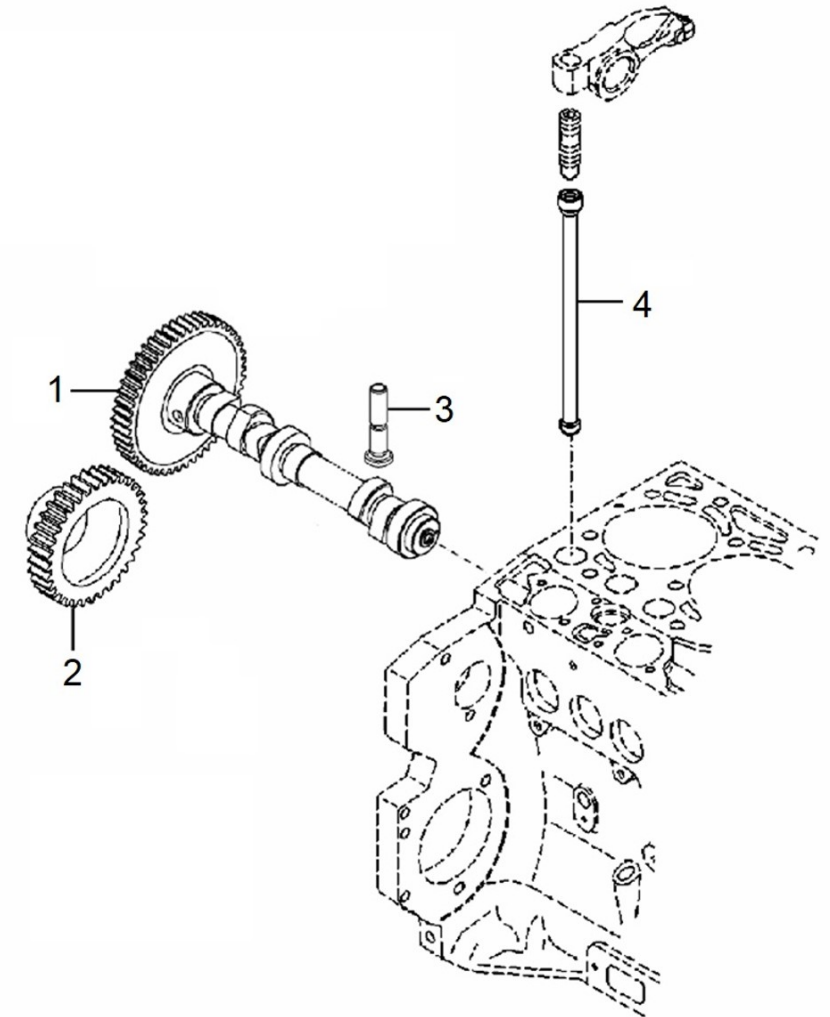
Valve Drive

Fig.	Ref.	Qty.	Descr.	Obs	From	UpTo
1	19422045	3	Rocker ARM Bracket			
2	19422045.1	1	Rocker ARM Bracket			
3	19422045.5	1	Rocker arm bracket			
4	19422042	8	Rocker ARM			
5	19422053	10	HEXAGON Bolt			
6	19422047	8	CIRClip			
7	19622044	8	Screw Adjusting			
8	19422052	8	Nut			



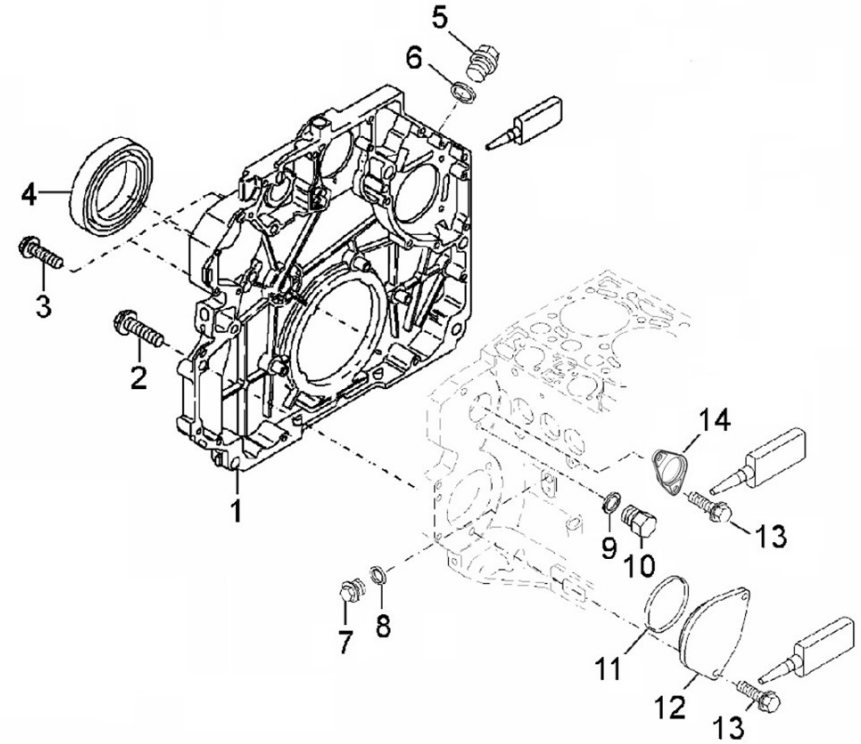
D_SDZ109EGTDN_01_4 Timing Parts

Fig.	Ref.	Qty.	Descr.	Obs	From	UpTo
1	19422039	1	Camshaft			
2	19421124	1	Toothed Gear			
3	19422061	2	Tappet			
4	19422041	2	PUSHROD			



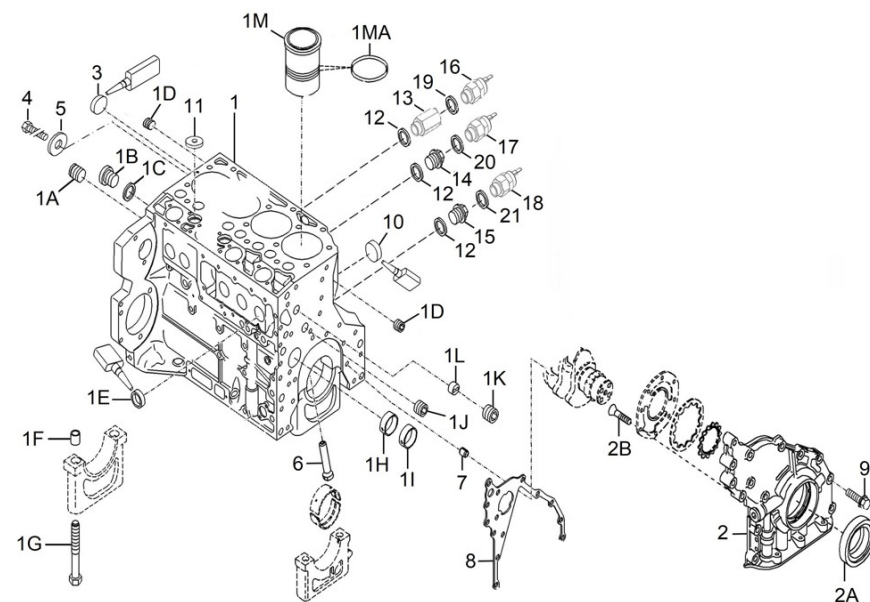
D_SDZ109EGTDN_01_5 Case,Gear

Fig.	Ref.	Qty.	Descr.	Obs	From	UpTo
1	19420055.2	1	Gearcase			
2	19420027	12	Screw			
3	19421144	6	Hexagon Bolt			
4	19420039.1	1	ROT.Shaft LIP Seal			
5	19421020	1	Screw Plug			
6	19421116	1	Sealing Ring			
7	19420071.1	1	Screw Plug			
8	19420059G	1	Sealing Ring			
9	19424087	1	Sealing Ring			
10	19421023	1	Screw Plug			
11	19420226	1	O-Ring D. 100X4			
12	19420225.1	1	Cover			
13	19620010	4	Hexagon Bolt			
14	19620009	1	Cover			



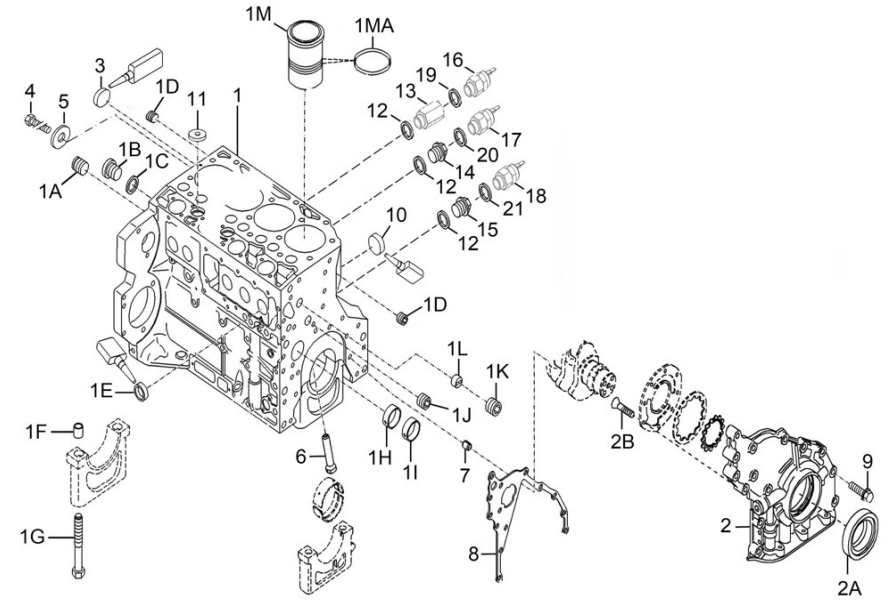
D_SDZ109EGTDN_01_6 Crankcase

Fig.	Ref.	Qty.	Descr.	Obs	From	UpTo
1	19420001	1	CRANKCase			
1A	19420073	1	Screw Plug			
1B	19420063.1	2	Screw plug			
1C	19420064	4	Sealing Ring			
1D	19420067.3	2	Screw plug			
1E	19420070	6	CORE Hole Plug			
1F	19420062	10	Bush			
1G	19420061	10	Screw			
1H	19420069	1	Bearing Bush			
1I	19420068	4	Bearing Bush			
1J	19420082	1	Screw Plug			
1K	19420075	1	Screw Plug			
1L	19420072	1	Guide SLEEVE			
1M	19420050	4	Cylinder LINER			
1MA	19420074	8	O-Ring D. 115X3			
2	19420025.2	1	Front cover			
2A	19420008	1	ROT.Shaft LIP Seal			
2B	19420009.2	8	C.sunk head screw			
3	19427163	1	Cover			
4	19427165.1	1	Hexagon bolt			
5	19427164	1	Plain Washer			
6	19420034.2	4	Piston cool.nozzle			
7	19420028	1	Clamping Bush			
8	19420026.2	1	Gasket			
9	19420027	14	Screw			
10	19420180	1	CORE Hole Plug			
11	19420215	1	Plug			
12	56000020	3	Washer 14,3-22-1			
13	19417030	1	Conversion Adapter G1/2 A M14X1.5			
14	19417028	1	Conversion Adapter			
15	19417029	1	Conversion Adapter			



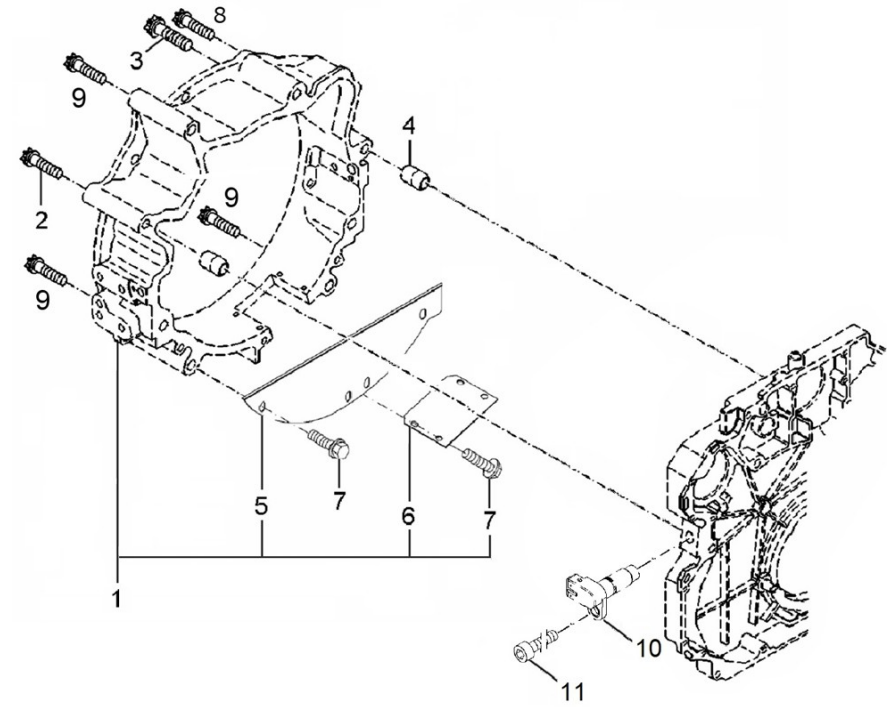
D_SDZ109EGTDN_01_6 Crankcase

Fig.	Ref.	Qty.	Descr.	Obs	From	UpTo
16	60994075	1	Temperature Sensor			
17	60994076	1	Marine Approved Pressure Transmitters			
18	60994073	1	Compact Pressure Switch			
19	56000083	1	Washer 21-26-1,5			
20	56000068	1	Washer 13,5-20-1,5			
21	56000069	1	Washer 14-20-1,5			



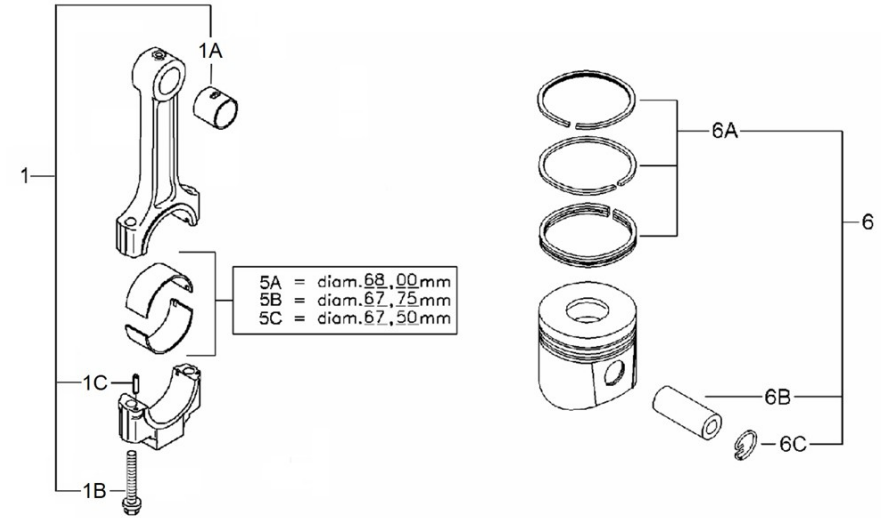
D_SDZ109EGTST_01_7 Flywheel Housing

Fig.	Ref.	Qty.	Descr.	Obs	From	UpTo
1	19420211G.1	1	Connection Housing			
2	19420204G	1	Bolt			
3	19420203	1	Bolt			
4	19420083	2	Bush			
5	19420213	1	Cover			
6	19420205	1	Cover			
7	19428054	7	Screw			
8	19420204	1	Bolt			
9	19420203G	3	Bolt			
10	19427188	1	Impulsetransmitter			
11	19427038	1	HEXAGON Bolt			



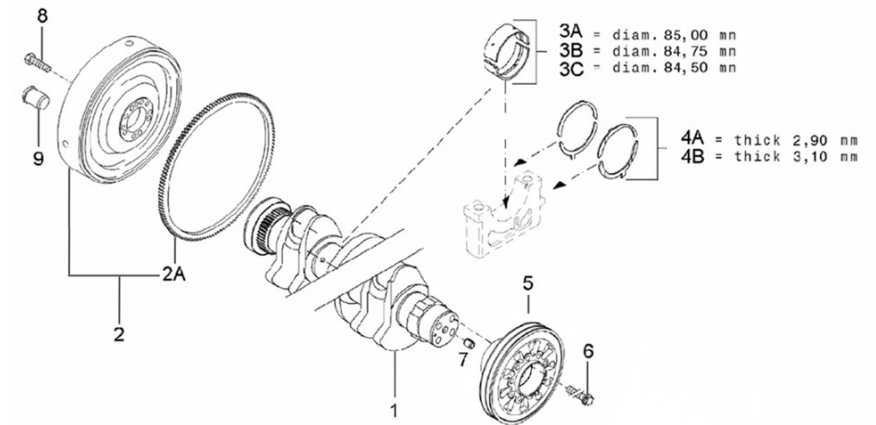
D_SDZ109EGTDN_01_8 Piston & Connection Rod

Fig.	Ref.	Qty.	Descr.	Obs	From	UpTo
1	19422012	4	Connecting Rod			
1A	19422033	4	BIG END Bush			
1B	19422013	8	Bolt,connecting rod			
1C	19422009	8	ClampING Bush			
5A	19422014	4	BIG END Bearing Std.			
5B	19422015	0	BIG END Bearing -0,25	#		
5C	19422016	0	BIG END Bearing -0,50	#		
6	19422001	4	Piston			
6A	19422006	4	Set OF PIST. RingS			
6B	19422011.1	4	Piston Pin			
6C	19422010	8	CIRClip			

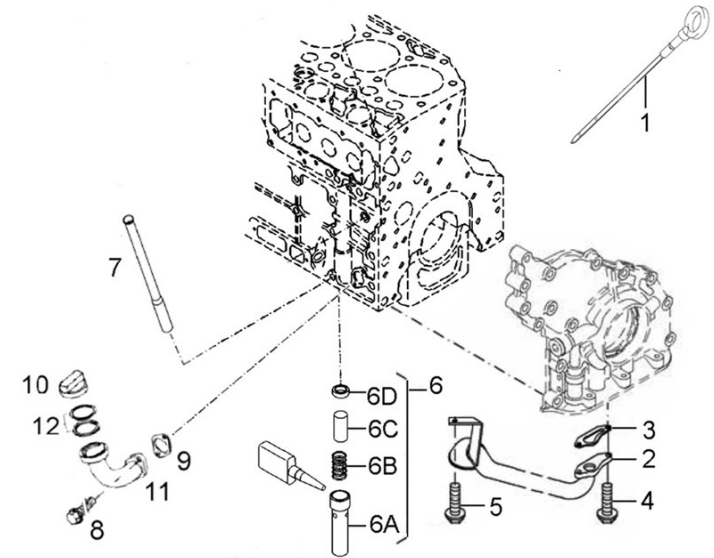


D_GJ01_1_9 Crankshaft & Flywheel

Fig.	Ref.	Qty.	Descr.	Obs	From	UpTo
1A	19422018.1	1	CrankShaft			
1B	19422018	1	CrankShaft			
2	19422027G.1	1	Flywheel			
2A	19422029	1	Gear RIM			
3A	19420003	5	Bearing Set STD.			
3B	19420004	0	Bearing Set -0,25	#		
3C	19420005	0	Bearing Set -0,50	#		
4A	19420109	10	THRUST Washer Std.			
4B	19420105	10	THRUST Washer			
5	19422024G	1	Pulley CrankShaft			
6	19422026.1	4	HEXAGON Bolt			
7	19422036	1	ClampING Bush			
8	19422031G	9	HEXAGON Bolt			
9	19422037	4	Plug			

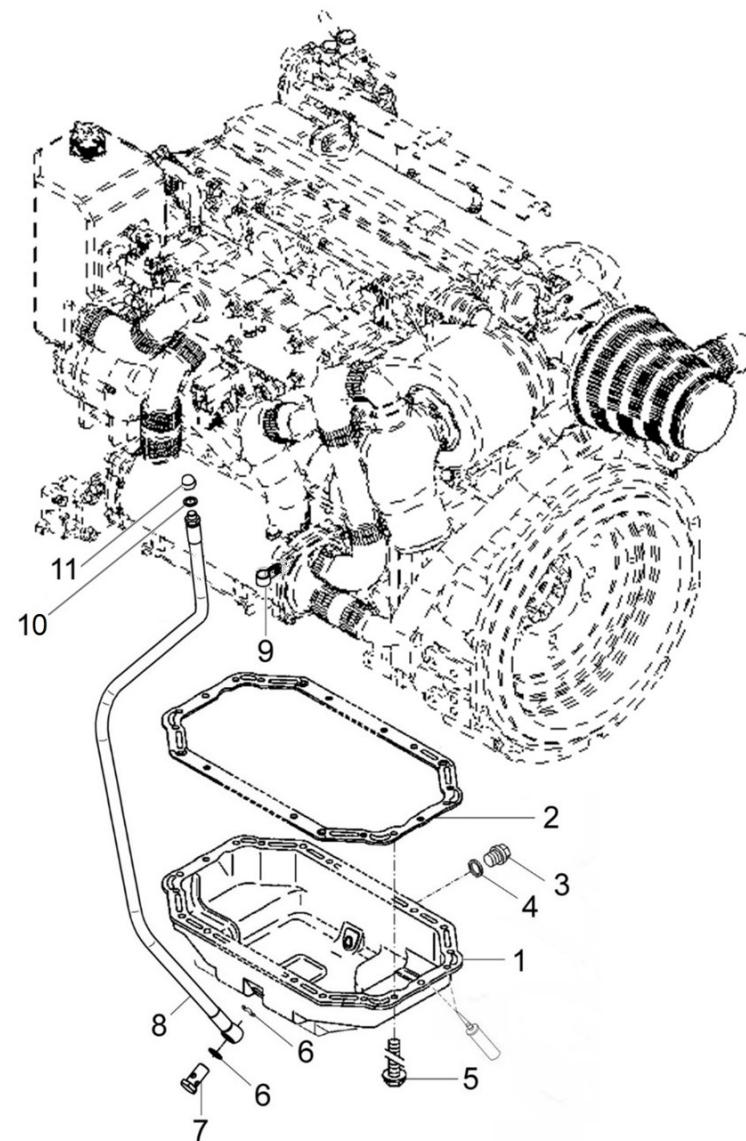


D_GJ01_1_10		Oil Sysem				
Fig.	Ref.	Qty.	Descr.	Obs	From	UpTo
1	19420029G	1	Gauge Oil LEVEL			
2	19424052.1	1	Oil SUCTION Pipe			04/12/2019
3	19424056.1	1	Gasket			
4	19424006	2	HEXAGON Bolt			
5	19420036	1	Screw			
6	19420040	1	Valve Assy			
6A	19420043	1	SLEEVE			
6B	19420041	1	COMPRESSION Spring			
6C	19420042	1	Valve Plunger			
6D	19420044	1	Ring			
7	19620027	1	Guide Tube			
8	19420163	2	Screw			
9	19421076	1	Gasket			
10	19421003	1	FILLER Cap			
11	19424016	1	Oil Filler Neck			
12	19424017	1	Repair Kit			



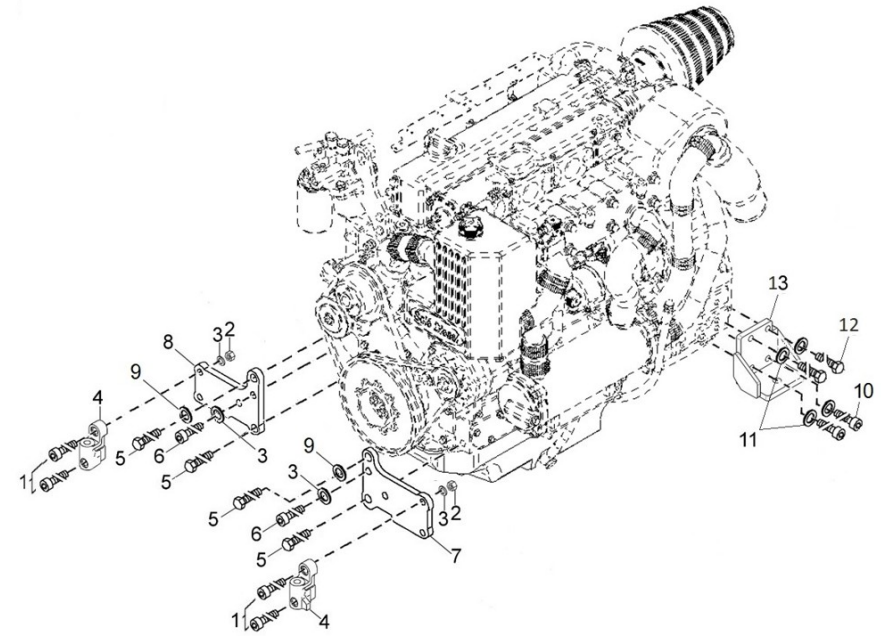
D_GJ01_1_11 Oil Pan

Fig.	Ref.	Qty.	Descr.	Obs	From	UpTo
1	19420030	1	Oil PAN			
2	19420033	1	Gasket			
3	19420031	1	Plug			
4	19420032.1	1	Gasket			
5	19420036	26	Screw			
6	56000077	2	Washer 18-23-1,5			
7	16514022	1	Coupling,screw 18x150			
8	19414021	1	Oil ExtraCTION Tube			
9	18014022	1	Bracket,pipe			
10	56000217	1	Washer 13-20-3			
11	16514020	1	Plug			



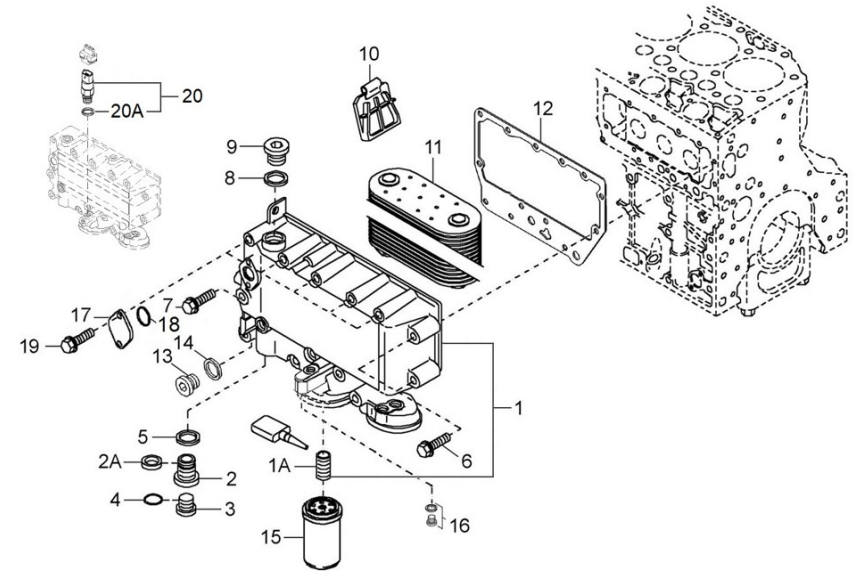
D_GJ01_1_12 Engine Brackets

Fig.	Ref.	Qty.	Descr.	Obs	From	UpTo
1	52101365	4	Bolt DIN 931 M12-60 8.8 CINCADO			
2	52120012	4	Nut DIN 934 M12 8.8			
3	51030012	4	Washer DIN 125-12			
4	19427023	2	MOUNTING FOOT			
5	19427024	4	Bolt			
6	52103361	2	Bolt DIN 912 M12-40 8.8			
7	19427019	1	Bracket			
8	19427022	1	Bracket			
9	19427041	4	Plain Whasher			
10	52103359	4	Bolt DIN 912 M12-30 8.8			
11	53033012	8	Washer Grower DIN 127-12			
12	52102359	6	Bolt DIN 933 M12-30 8.8			
13	60594020	2	REAR Bracket, Genset V.			



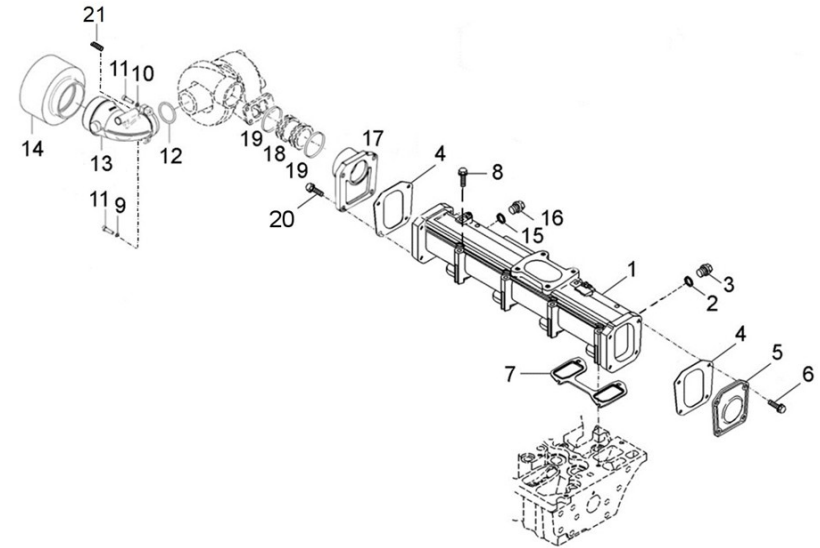
D_SDZ109EGTDN_01_13 Cooler Assy,oil

Fig.	Ref.	Qty.	Descr.	Obs	From	UpTo
1	19422110	1	Oil Cooler Box			
1A	19422114	1	Bush			
2	19422111	1	COLLAR Screw			
2A	19422115	1	Sealing Ring			
3	19422112.1	1	Screw plug			
4	19422113	1	O-Ring			
5	19422118	1	Sealing Ring			
6	19422120	3	HEXAGON Bolt			
7	19422124	10	HEXAGON Bolt			
8	19421019	1	Sealing Ring			
9	19422125.1	1	Screw plug			
10	19422116	1	CORE Hole Plug			
11	19422117	1	Oil Cooler			
12	19424084	1	Gasket			
13	19424081.1	1	Screw plug			
14	19424082	1	Sealing Ring			
15	19424051	1	Oil Filter Element SDZ 165/205/280			
16	19424088.1	1	Screw plug			
17	19422123G	1	BLANK Flange			
18	19422121	1	O-Ring			
19	19420036	2	Screw			
20	19427193	1	Pressure Sensor			
20A	19421016	1	Sealing Ring			



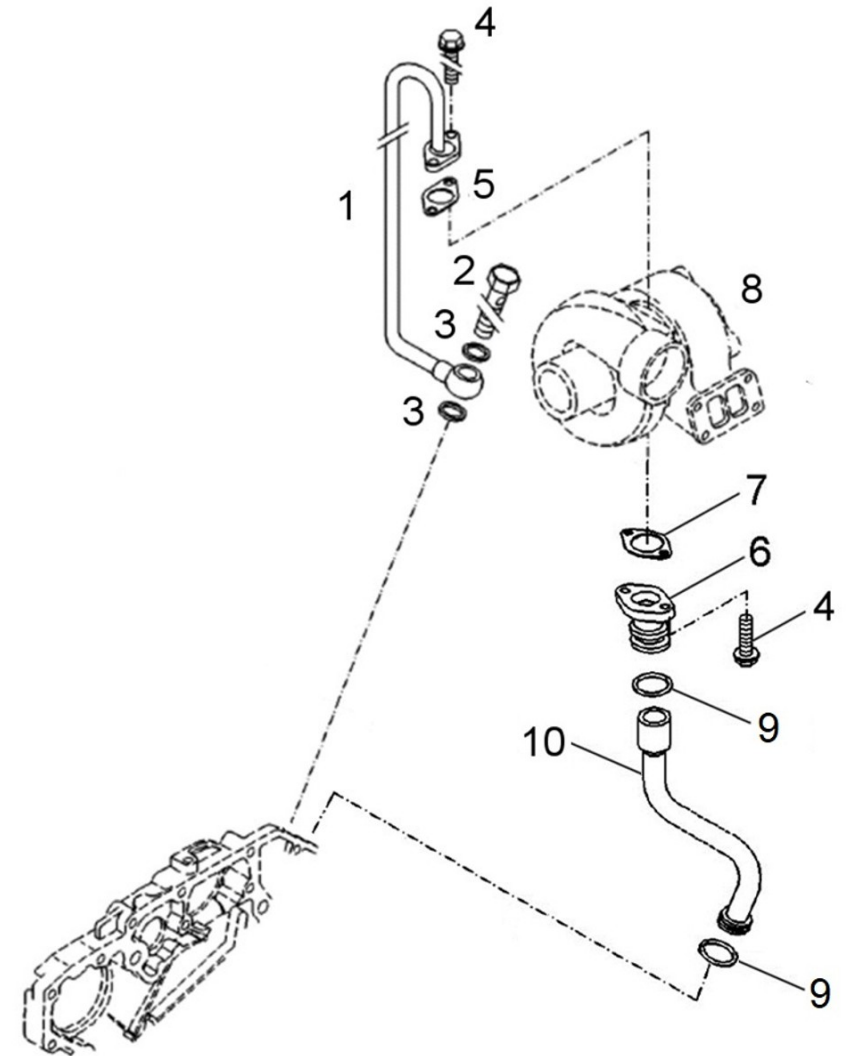
D_GJ01_2_1 Inlet

Fig.	Ref.	Qty.	Descr.	Obs	From	UpTo
1	19521080	1	CHARGE Air Pipe			
2	19420059G	1	Sealing Ring			
3	19420063	1	Screw Plug			
4	19421047	1	Gasket			
5	19421045	1	Cover			
6	19420036	4	Screw			
7	19421063	2	Gasket			
8	19421012	8	HEXAGON Bolt			
9	51030008	1	Washer DIN 125-8			
10	53038008	6	Washer DIN 6798-A 8			
11	52103259	2	Bolt DIN 912 M8-30 8.8			
12	19610019	1	O-Ring D. 62X5 VITON			
13	19410015	1	Bracket, Air Filter			
14	19410032	1	Air Filter			
15	19424087	1	Sealing Ring			
16	19421020G	1	Screw Plug			
17	19421050	1	Interm.Flange			
18	19421038	1	Plug			
19	19421039	2	O-Ring D. 40X6 VITON			
20	19424006	4	HEXAGON Bolt			
21	52114155	1	Bolt DIN 916 M6-12 8.8			



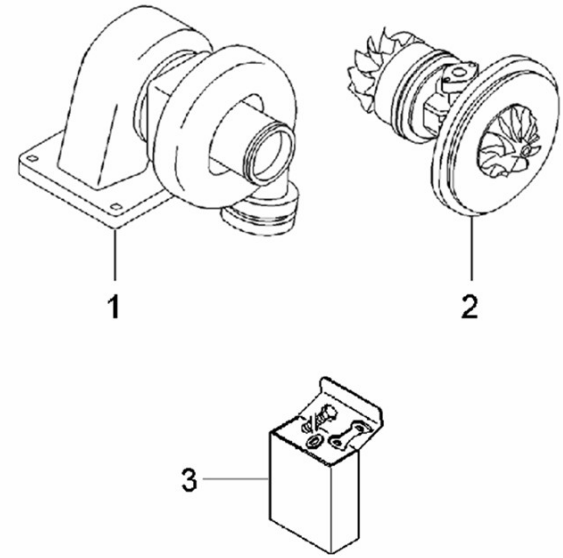
D_GJ01_2_2 Turbocharger

Fig.	Ref.	Qty.	Descr.	Obs	From	UpTo
1	19424090G	1	LUBRICAT.Oil LINE			
2	19424067	1	Hollow screw			
3	19421016	2	SeallNG Ring			
4	19420163	4	Screw			
5	19428041	1	Gasket			
6	19428011	1	Plug-in Flange			
7	19428062	1	Gasket			
8	19428012G.2	1	Turbocharger, Assy		20/11/2019	
9	19428063	2	SeallNG Ring			
10	19428010	1	Retur Line			



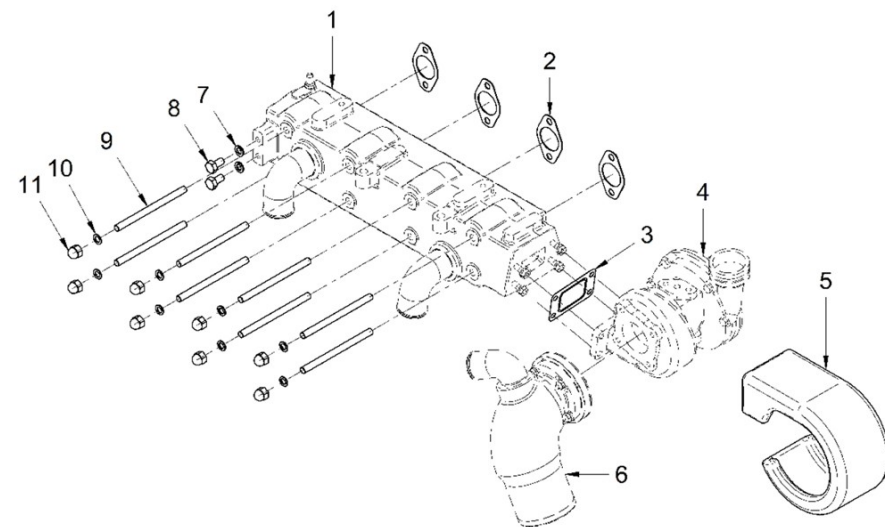
D_GJ01_2_3 Spare Parts, Turbocharger

Fig.	Ref.	Qty.	Descr.	Obs	From	UpTo
1	19428012G.2	1	Turbocharger, Assy			
2	19428012.1G	1	CORE Assembly			
3	19428012K	1	REPAir Kit, TURBO			
NS	19428012.1.5	1	Clamp			



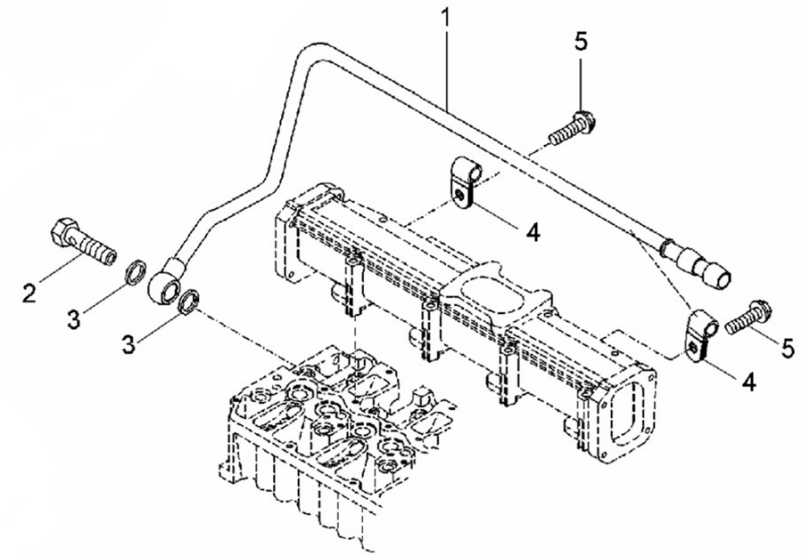
D_GI01_2_4 Exhaust Manifold

Fig.	Ref.	Qty.	Descr.	Obs	From	UpTo
1	19413000	1	MANIFOld,Assy			
2	19421181.2	4	Gasket			
3	19421183.2	1	Gasket			
4	19428012G.1	1	Turbocharger, Assy		20/11/2019	
5	19118010	1	Termic,bucklers			
6	19413016	1	Elbow, WET Exhaust		20/11/2019	
7	53033010	2	Washer GROWER DIN 127-10			
8	52102307	2	Bolt DIN 933 M10-20 8.8			
9	19413002	8	Stud			
10	56000061	12	Washer 10-16-1,5			
11	13511013	12	Nut DIN 1587 M10			



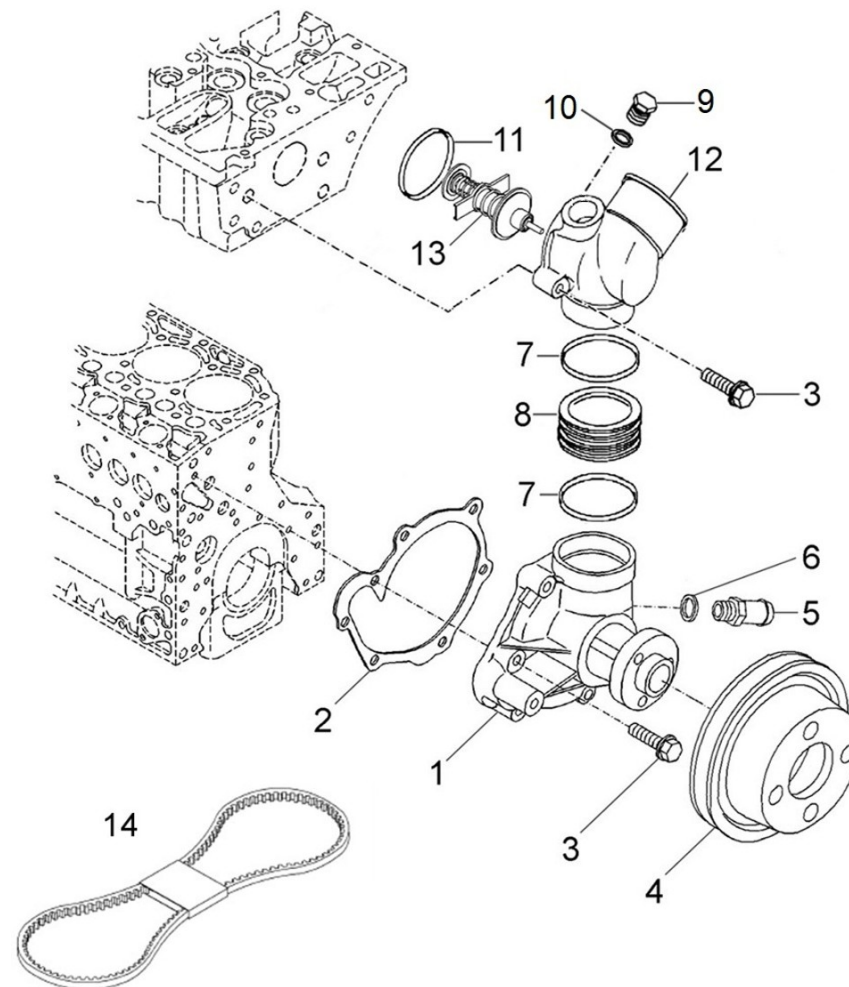
D_GJ01_2_5 Breather Line

Fig.	Ref.	Qty.	Descr.	Obs	From	UpTo
1	19421090.2	1	Breather Line			28/02/2020
2	19421091.1	2	Screw			
3	19424091	2	Retention Valve			
4	19428055	2	Pipe Clamp			
5	19428054	2	Screw			

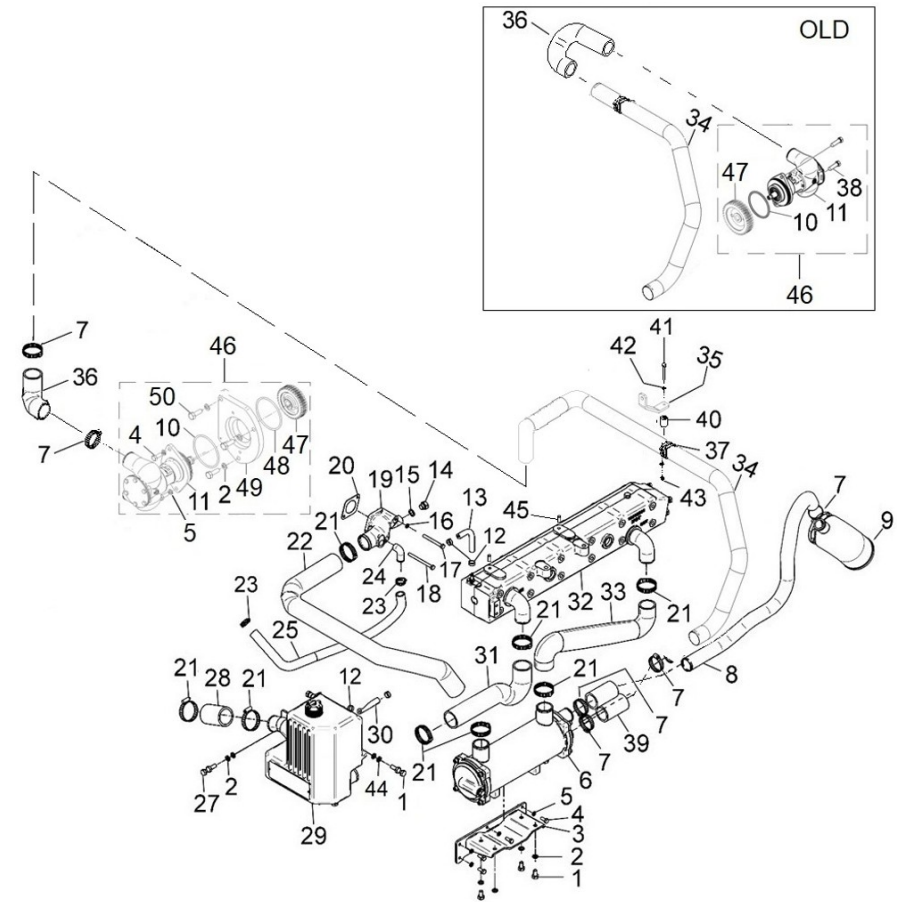


D_SDZ109EGTDN_03_1 Water Pump

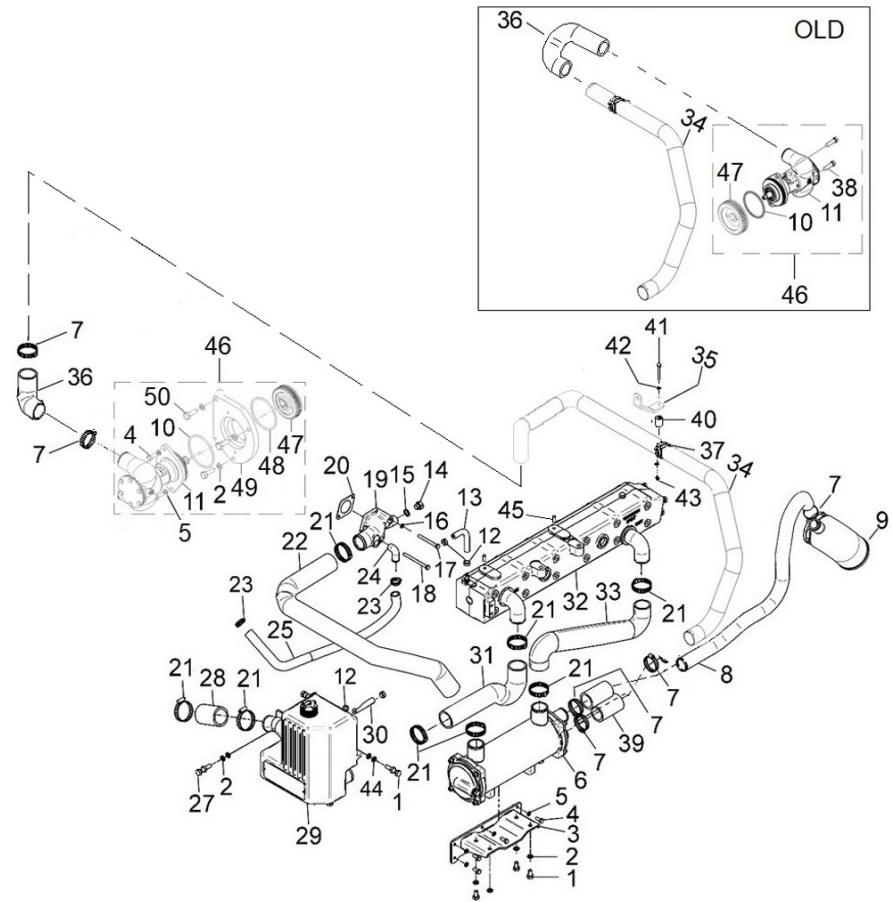
Fig.	Ref.	Qty.	Descr.	Obs	From	UpTo
1	19421006	1	Fresh Water Pump			
2	19421040	1	Flat Gasket			
3	19420027	9	Screw			
4	19421094	1	Pulley			
5	19421089	1	Hose Connector			
6	19424064	1	Sealing Ring			
7	19421044	2	O-Ring			
8	19421042	1	Plug			
9	19420165	1	VENT Plug			
10	57000361	1	Washer 10-14-1,5			
11	19421041	1	O-Ring			
12	19521093	1	Thermostat			
13	19521029	1	Thermostat			
14	17521028	1	Belt Type AX 45 1175			



D_GJ01_3_2 Cooler Pipes					
Fig.	Ref.	Qty.	Descr.	Obs	From UpTo
1	52102307	6	Bolt DIN 933 M10-20 8.8		
2	53033010	9	Washer GROWER DIN 127-10		
3	19411014G	1	Refrigerator Support		
4	52102257	8	Bolt DIN 933 M8-20 8.8		
5	53033008	8	Washer GROWER DIN 127-8		
6	19411000	1	Water Cooler Assy SDZ-165/205/280		
7	54082032	6	Clamp DIN 3017 32-50/12 W4		
8	M87504252	1	Water Intake Hose (HQ) D. 42-52		
9	19413016	1	Elbow, WET Exhaust	21/11/2019	
10	19420221	1	O-Ring D. 82X4 VITON		
11	39411000	1	Key Pump SDZ-165/205/280 Gr-109/165		
12	54081008	4	Clamp DIN 3017 8-16 W4		
13	19411041	1	Purge Hose		
14	12111076	1	Plug		
15	56000073	1	Copper Washer 16-23-1,5		
16	53038008	2	Washer DIN 6798-A 8		
17	52101269	1	Bolt DIN 931 M8-80 8.8		
18	52101273	1	Bolt DIN 931 M8-100 8.8		
19	19411011	1	Cooler Water Inlet BEND		
20	19411010	1	Gasket		
21	54082040	8	Clamp DIN 3017 40-60/12 W4		
22	19411020	1	Hose		
23	54081020	2	Clamp DIN 3017 20-32/9 W4		
24	13211027	1	Water Inlet Bend		
25	M81560022	1.0	Cooling Hose SDZ Group Earth Isolated D. 22		
25	M87501927	1	Water Intake Hose (HQ) D. 19-27		
27	52102308	2	Bolt DIN 933 M10-25 8.8		
28	19411043	1	Pipe 48-60-85		
29	19411009	1	Expansion Tank		
30	19411042	1	Hose		
31	19411019	1	Hose		

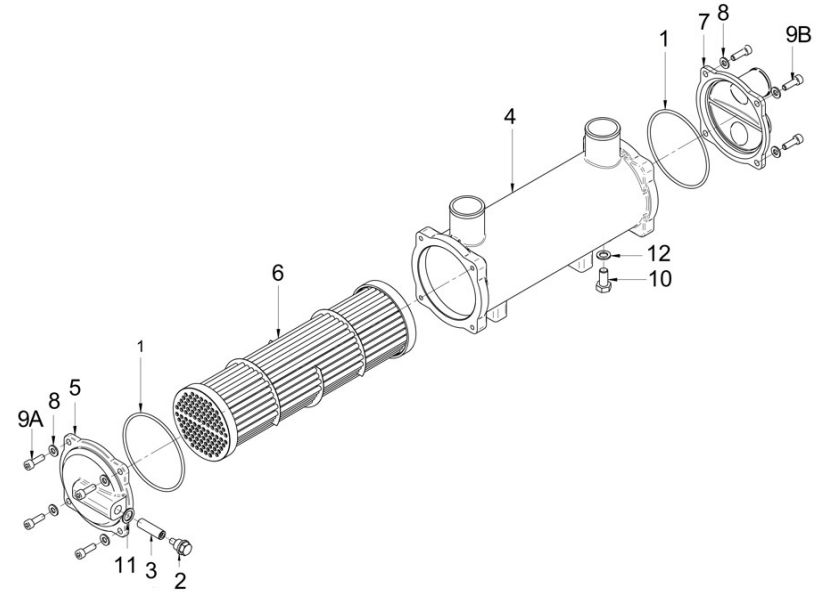


D_GJ01_3_2 Cooler Pipes					
Fig.	Ref.	Qty.	Descr.	Obs	UpTo
32	19413000	1	MANIFOld,Assy		
33	19611020G	1	Hose		
34	19411053	1	Pump Hose		23/05/2018
34	19411053.1	1	Pump Pipe D.42	24/05/2018	31/12/2022
34	19411095	1	Brass Pump Pipe D.42 SDZ109	01/01/2023	
35	19411052	1	Bracket, Pump Hose		23/05/2018
35	19411052.1	1	Pump Hose Bracket	24/05/2018	
36	19411015	1	Elbow	01/01/2023	
36	19411034	1	Pipe, Rubber		31/12/2022
37	59071452	2	Clamp 1 42/15 W1		
38A	52101266	2	Bolt DIN 931 M8-65 8.8		
38B	51030008	2	Washer DIN 125-8		
39	19411061	1	Rubber Hose D.42-52-90		
40	13817118	1	Spacer 8,5x20x28		17/06/2018
41	52101163	1	Bolt DIN 931 M6-50 8.8		
42	51030006	2	Washer DIN 125-6		
43	52120006	1	Nut DIN 934 M6 8.8		
44	53038010	2	Washer DIN 6798-A 10		
45	52114304	2	Bolt DIN 916 M10-10 UMBR		
46	39411000A19	1	Key Pump SDZ-165/205/280 GR-109/165, KIT		31/12/2022
46	39411000A22	1	KEY PUMP SDZ-165/205/280 GR-109/165 (2022), Kit	01/01/2023	
47	19421124	1	Toothed Gear		
48	19610021	1	O-Ring D. 90X4 VITON		
49	19610060	1	Pump Adaptor		
50	52102309	3	Bolt DIN 933 M10-30 8.8		



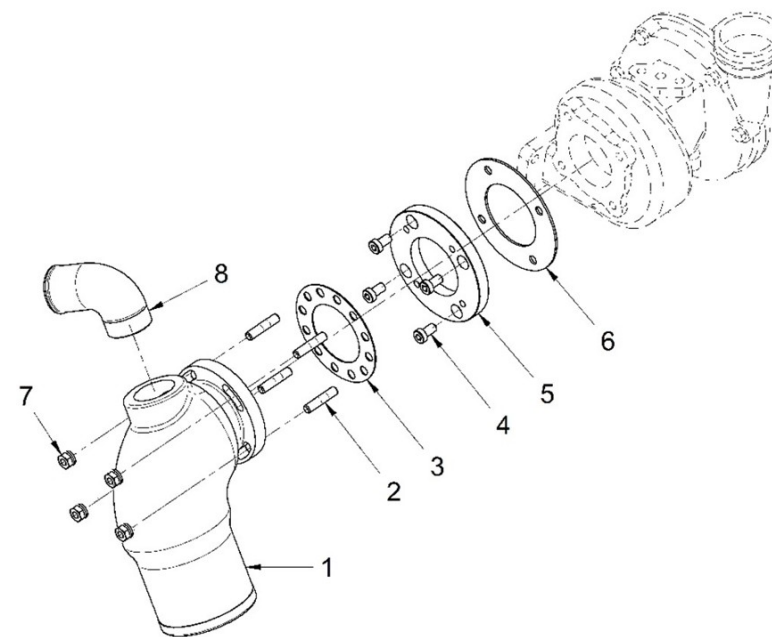
19411000 Water Cooler Assy SDZ-165/205/280

Fig.	Ref.	Qty.	Descr.	Obs	From	UpTo
1	16711007	2	O-Ring D. 116X4			
2	18011009	1	Anode Plug			
3	18011031	1	Engine Anode 45 mm M.8			
4	19411001	1	Body, Water Cooler			
5	19411003	1	Water Cooler Cover			
6	19411004	1	Tubular Bundle			
7	19411006	1	Water Cooler Cover			
8	51030008	8	Washer DIN 125-8			
9A	52103257	7	Bolt DIN 912 M8-20 8.8			
9B	52103258	1	Bolt DIN 912 M8-25 8.8			
10	54102356	1	Bolt DIN 933 M12-16 INOX.			
11	56000073	1	Copper Washer 16-23-1,5			
12	56000115	1	Washer 12-20-2			



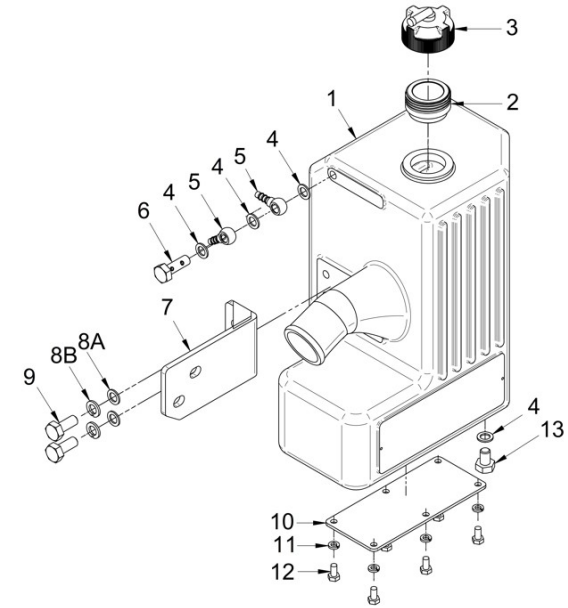
D_GJ01_3_3 Wet Exhaust

Fig.	Ref.	Qty.	Descr.	Obs	From	UpTo
1	19413016	1	Elbow, WET Exhaust			
2	19411028	4	Stud			
3	16513016	1	Exhaust Elbow Gasket			
4	52103256	4	Bolt DIN 912 M8-16 8.8			
5	19413014	1	Adaptor			
6	19413013	1	Gasket			
7	51125008	4	Nut Exhaust			
8	16511009	1	Elbow			



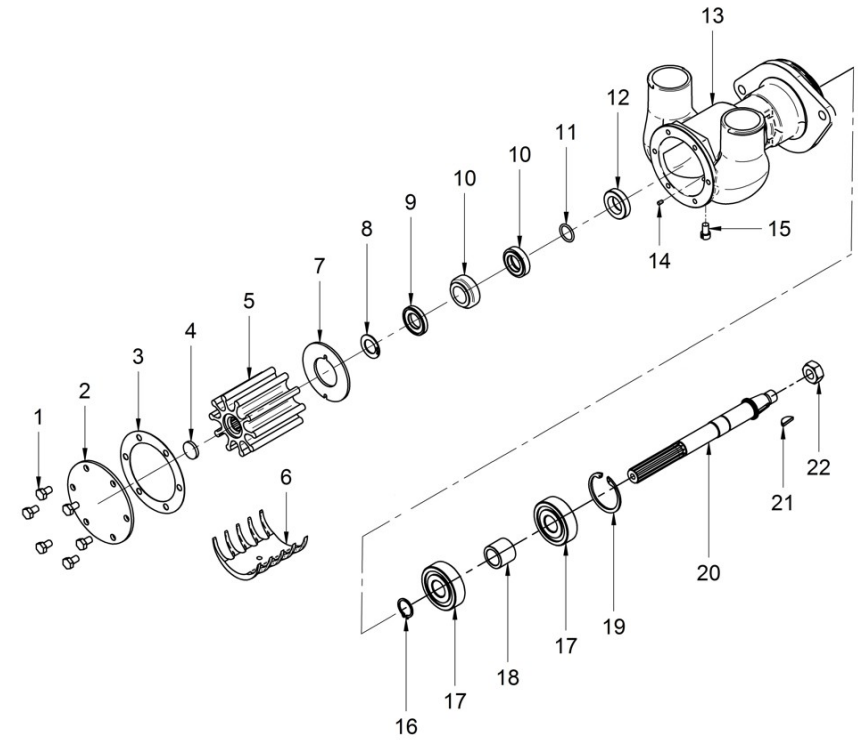
19411009 Expansion Tank

Fig.	Ref.	Qty.	Descr.	Obs	From	UpTo
1	19411009.1	1	Expansion Tank, Body			
2	17411004	1	Adapter, MTA Cap			
3	13811010	1	Cap			
4	56000061	4	Washer 10-16-1,5			
5	17614016	2	COLLAR,Union			
6	19411040	1	1/8" GAS HOLLOW Screw			
7	19411009.2	1	Bracket			
8A	51030010	2	Washer DIN 125-10			
8B	53033010	2	Washer GROWER DIN 127-10			
9	52102307	2	Bolt DIN 933 M10-20 8.8			
10	18211002	1	Cover			
11	53033006	6	Washer GROWER DIN 127-6			
12	52102155	6	Bolt DIN 933 M6-12 8.8			
13	52102306	1	Bolt DIN 933 M10-15 8.8			

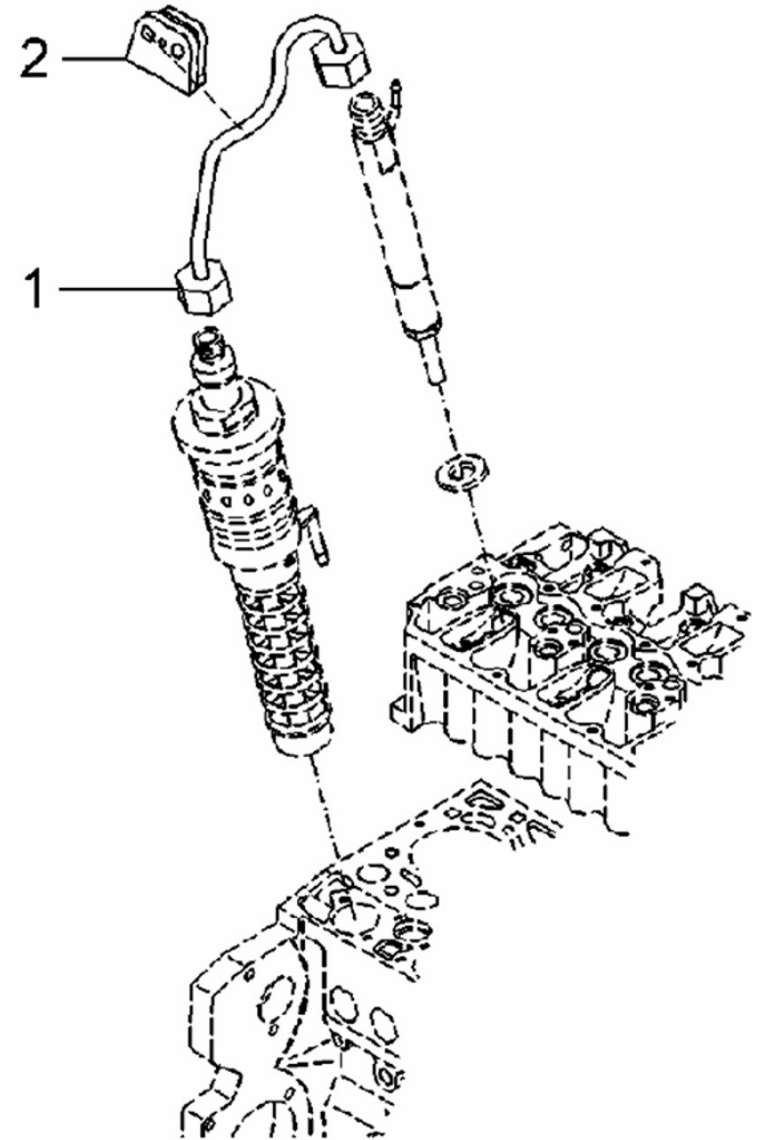


39411000 Key Pump SDZ-165/205/280 Gr-109/165

Fig.	Ref.	Qty.	Descr.	Obs	From	UpTo
1	54102154	6	Bolt DIN 933 M6-10 INOX			
2	34711002	1	Cover Pump			
3	34711003	1	Gasket Cover			
4	34711041	1	Impeller Plug			
5	39411008	1	1" L.68 Impeller			
5	39411008.1	1	1" L.68 Impeller Nitrile			
6	39411005	1	Cam			
7	34711026	1	Plate,Friction			
8	54040016	1	CIRClip E-16			
9	36511018	1	Washer,seal			
10	36511019	1	Seal			
11	33311013	1	O-Ring D. 15X2			
12	36511020	1	Seal 16-30-7			
13	39411001	1	Body,Water Pump			
14	36511017	1	Pin,Dowel			
15	54108154	1	Bolt DIN 84 M6-10			
16	53040017	1	Circlip DIN 471 E-17			
17	18017083	2	Ball Bearing 6303-RDD			
18	39411015	1	Separator Bearings			
19	53041047	1	CIRClip DIN 472 I-47			
20	39411010	1	Shaft			
21	35111035	1	KEY DIN 6888 3-6,5-16 INOX			
22	54121012	1	Nut DIN 439 M12			

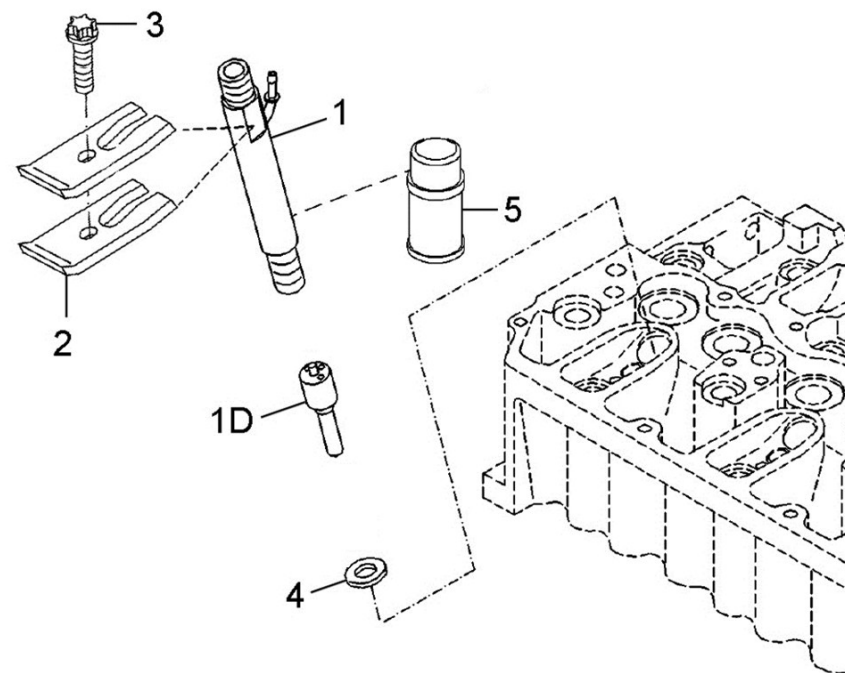


D_GJ01_4_1		Fuel Pipe				
Fig.	Ref.	Qty.	Descr.	Obs	From	UpTo
1	19424052	4	Pipe Injection			
2	19421018	4	Rubber Seal			



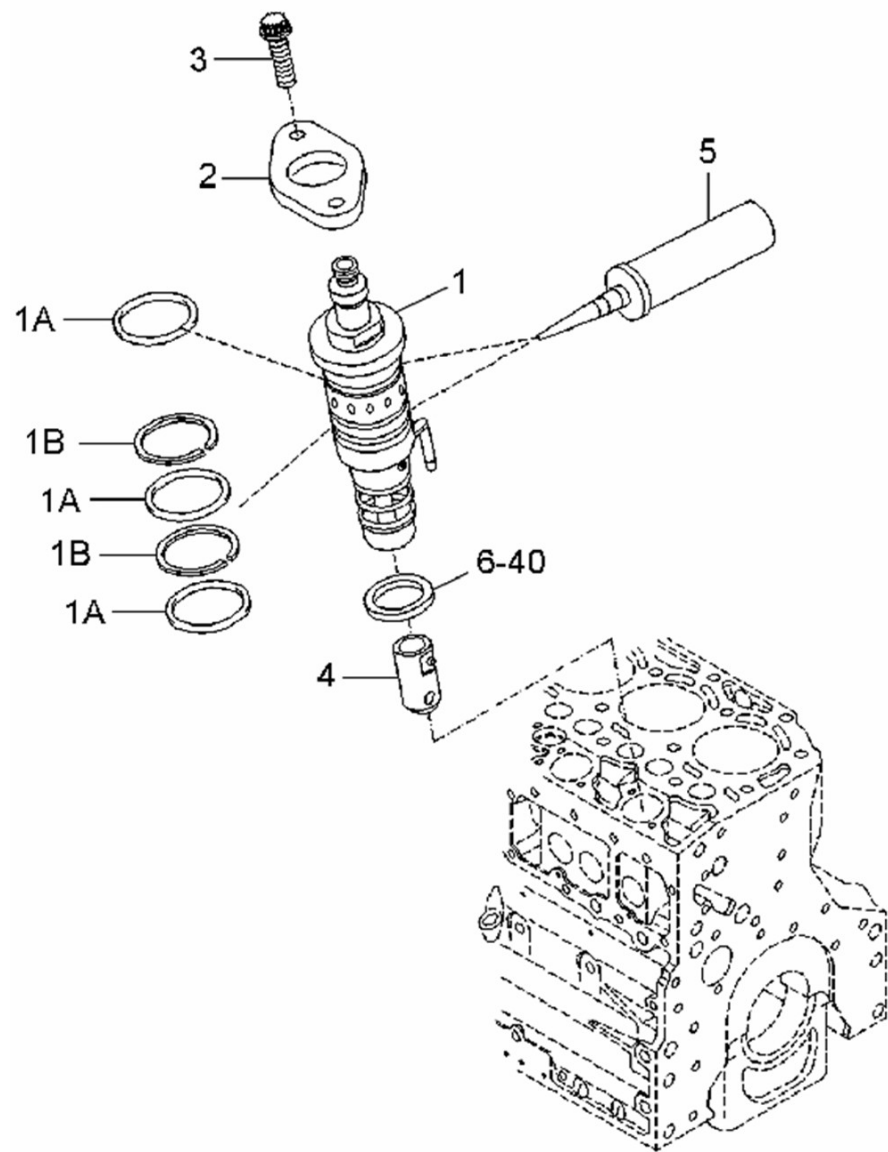
D_GJ01_4_2 Injection Nozzle

Fig.	Ref.	Qty.	Descr.	Obs	From	UpTo
1	19426001G	4	Fuel Injector			
1D	19426018G.1	4	Nozzle Element			
2	19426010	8	Flange			
3	19426011	4	Bolt			
4	19426012	4	Sealing Ring			
5	19426013	4	ANTI-RUST AGENT			



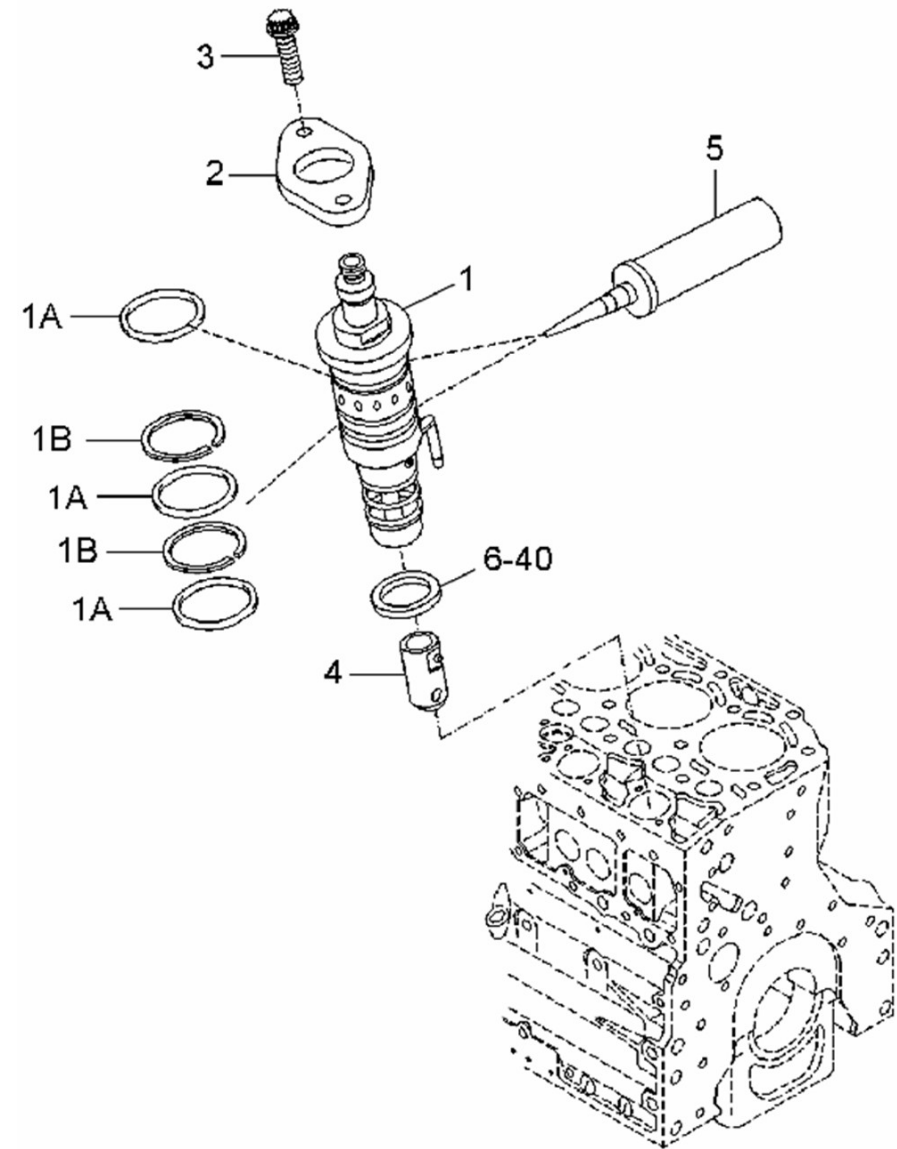
D_GJ01_4_3 Fuel Injection Pump

Fig.	Ref.	Qty.	Descr.	Obs	From	UpTo
1	19425001G	4	Pump Assy,Fuel Injection			
1A	19425002	12	O-Ring D. 40X3,5			
1B	19425003	8	Shim			
2	19420110	4	Flange			
3	19420111	8	COLLAR Screw			
4	19420090	4	Roller Tappet			
5	19420113	1	Lubricant			
6	19420112	0	Washer 1,0mm	#		
7	19420114	0	Washer 1,1mm	#		
8	19420115	0	Washer 1,2mm	#		
9	19420116	0	Washer 1,3mm	#		
10	19420117	0	Washer 1,4mm	#		
11	19420118	0	Washer 1,5mm	#		
12	19420119	0	Washer 1,6mm	#		
13	19420120	0	Washer 1,7mm	#		
14	19420121	0	Washer 1,8mm	#		
15	19420122	0	Washer 1,9mm	#		
16	19420123	0	Washer 2,0mm	#		
17	19420124	0	Washer 2,1mm	#		
18	19420125	0	Washer 2,2mm	#		
19	19420126	0	Washer 2,3mm	#		
20	19420127	0	Washer 2,4mm	#		
21	19420128	0	Washer 2,5mm	#		
22	19420129	0	Washer 2,6mm	#		
23	19420130	0	Washer 2,7mm	#		
24	19420131	0	Washer 2,8mm	#		
25	19420132	0	Washer 2,9mm	#		
26	19420133	0	Washer 3,0mm	#		
27	19420134	0	Washer 3,1mm	#		
28	19420135	0	Washer 3,2mm	#		
29	19420136	0	Washer 3,3mm	#		



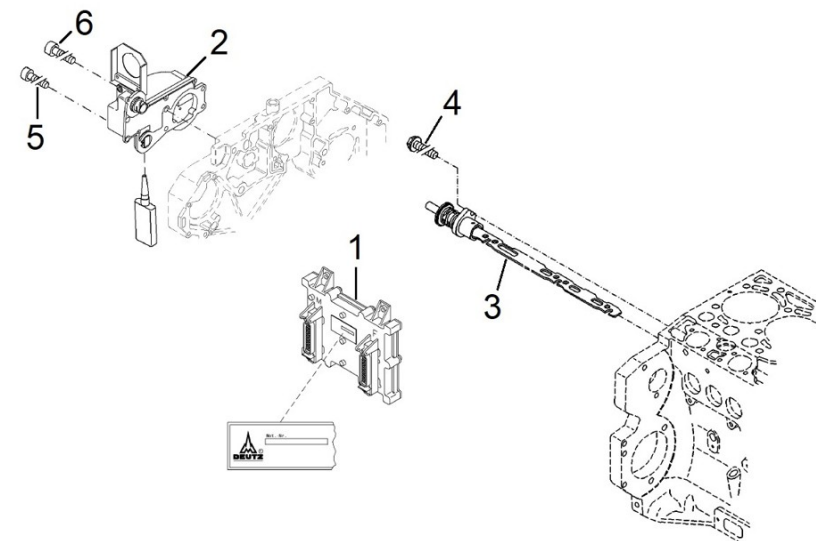
D_GJ01_4_3 Fuel Injection Pump

Fig.	Ref.	Qty.	Descr.	Obs	From	UpTo
30	19420137	0	Washer 3,4mm	#		
31	19420138	0	Washer 3,5mm	#		
32	19420139	0	Washer 3,6mm	#		
33	19420140	0	Washer 3,7mm	#		
34	19420141	0	Washer 3,8mm	#		
35	19420142	0	Washer 3,9mm	#		
36	19420143	0	Washer 4,0mm	#		
37	19420144	0	Washer 4,1mm	#		
38	19420145	0	Washer 4,2mm	#		
39	19420146	0	Washer 4,3mm	#		
40	19420147	0	Washer 4,4mm	#		



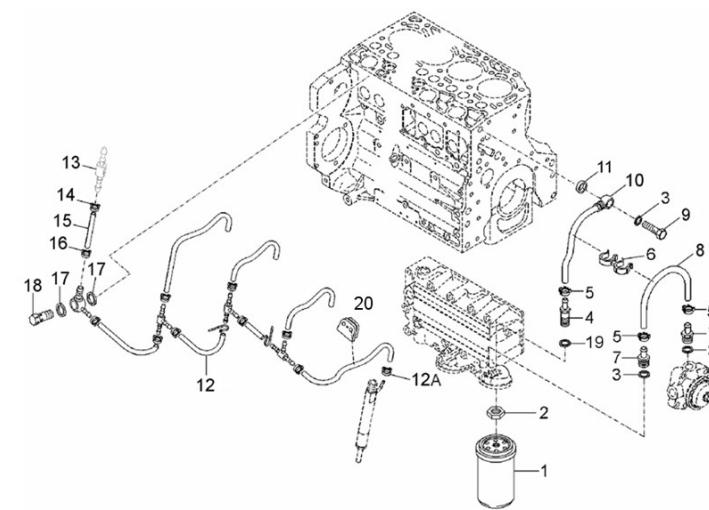
D_SDZ109EGTDN_04_4 Regulator

Fig.	Ref.	Qty.	Descr.	Obs	From	UpTo
1	19423019	1	ECU Group SDZ-109E EMR			
2	19427190	1	Actuator			
3	19423025	1	Control ROD			
4	19423026	1	HEXAGON Bolt			
5	19427154.1	3	Cheese head screw			
6	19427153.1	2	Cheese head screw			



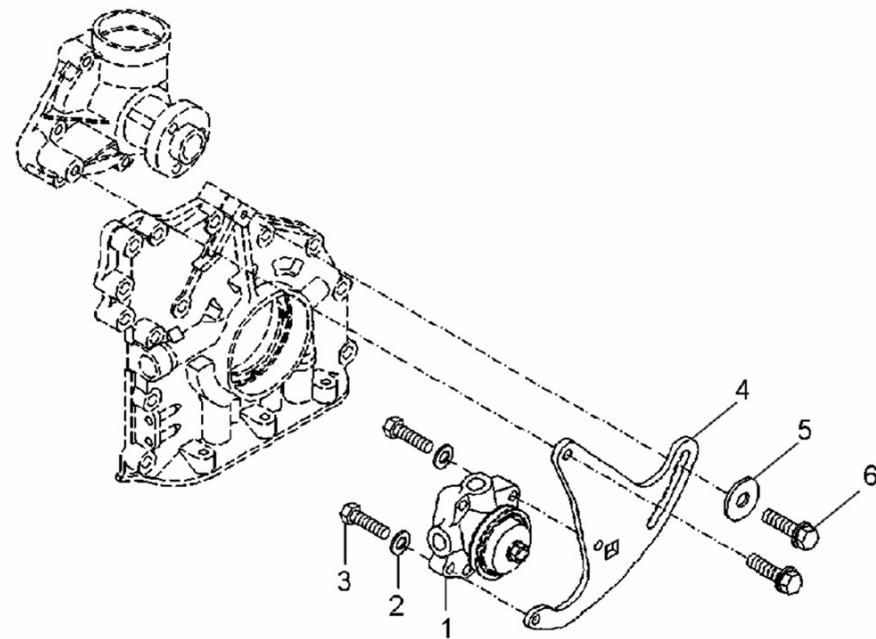
D_GJ01_4_5 Fuel Filter

Fig.	Ref.	Qty.	Descr.	Obs	From	UpTo
1	19424022.1	1	Fuel Filter Element Deutz			
2	19424065	1	HEXAGON Nut			
3	19420059G	3	SealING Ring			
4	19424057.1	2	Hose Sleeve			
5	19424058.1	3	Clamp			
6	19424059.1	1	Hose Retanier			
7	19424049.1	1	Nipple			
8	19424061.2	1	Fuel Pipe			
9	12814051	1	Screw,eye			
10	19424060.2	1	Fuel Line			04/12/2019
11	19424062	1	SealING Ring			
12	19424071.1	1	Overflow Line			
12A	19424074G	4	Hose Clip			
13	19424001	1	Valve Assy			
14	51086018	1	ONE EAR Clamp With INTERIOR Ring 16-18,3			
15	19414003.1	1	Rubber Pipe			
16	51086017	1	ONE EAR Clamp With INTERIOR Ring 15-17,3			
17	19420064	3	SealING Ring			
18	19424053	1	Valve Assy			
19	19420060G	1	Sealing Ring			
20	19421018	1	Rubber Seal			
NS	19424067.1	1	Corrugated Tube			



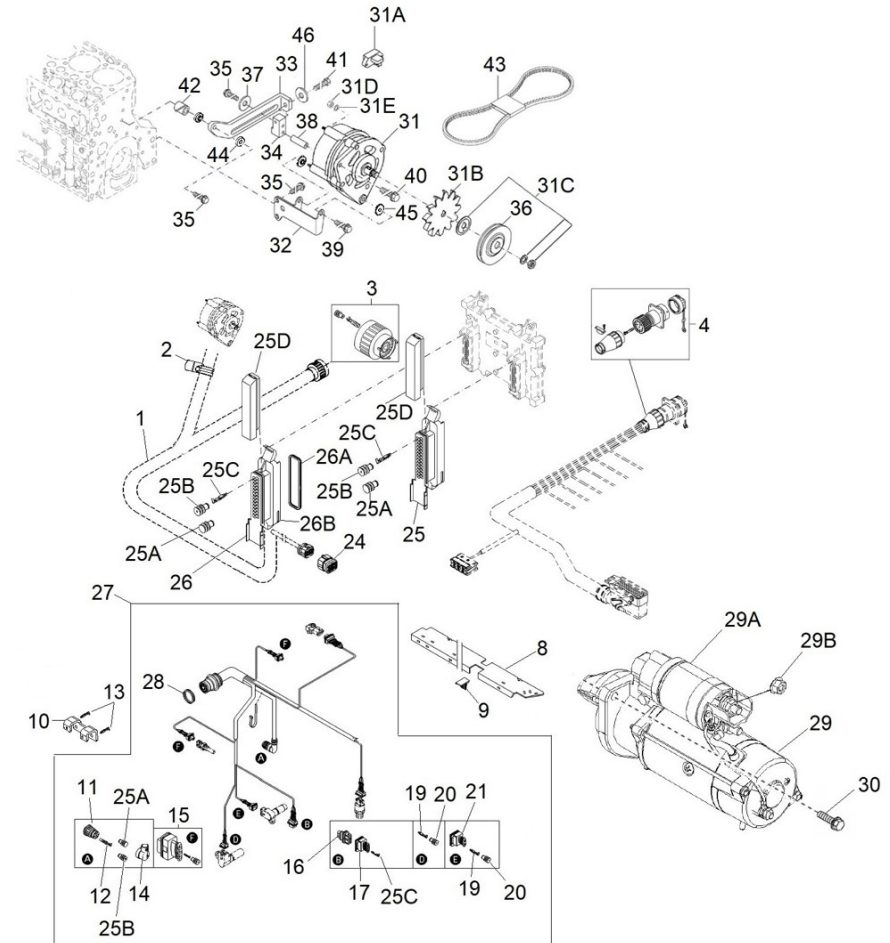
D_GJ01_4_6 Feed Pump

Fig.	Ref.	Qty.	Descr.	Obs	From	UpTo
1	19424040G	1	Fuel Pump			
2	19424043	2	Spring Washer			
3	52103258	2	Bolt DIN 912 M8-25 8.8			
4	19424041.1	1	Clamping Strap			
5	19424047.1	1	Plain Washer			
6	19424006	2	HEXAGON Bolt			



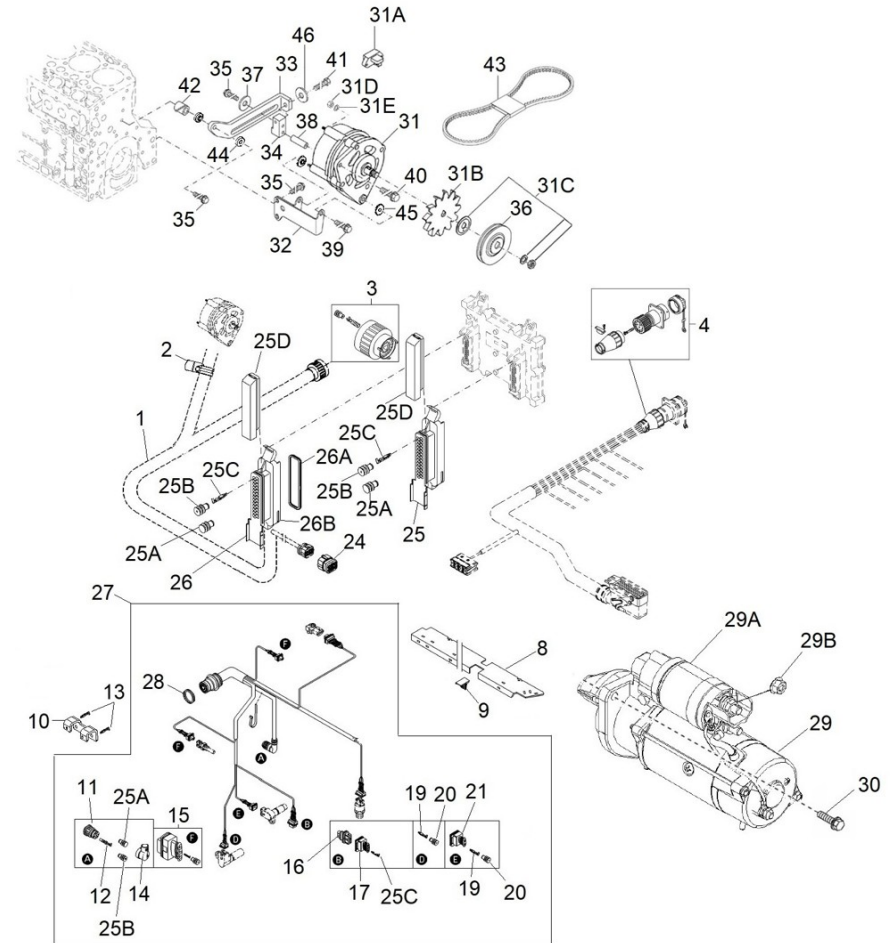
D_SDZ109EGSST_05_1 24V Electrical System

Fig.	Ref.	Qty.	Descr.	Obs	From	UpTo
1	60994221	1	Parallel DEUTZ auxiliary inst.			
2	13817011	1	Bracket			
3	19427195	1	Plug-in Connector			
4	19427152	1	Plug-in Connector			
8	19427185	1	Cover Plate			
9	19427186	1	Cable Clamp			
10	19417018	1	Electrical Wiring Bracket			
11	19427181	1	Receptacle Housing			
12	19427182	5	Jack			
13	52102156	2	Bolt DIN 933 M6-16 8.8			
14	19427183	1	Shood			
15	19427179	2	Plug-in Connector			
16	19427180	1	Plug Housing			
17	19427178	1	Housing			
19	19427175	4	Jack			
20	19427176	7	Gasket			
21	19427184	1	Housing			
24	19427194	1	Plug-in Connector			
25	19427151	1	Plug-in Connector			
25A	19427169	39	Plug			
25B	19427168	47	Gasket			
25C	19427170	45	Jack			
25D	19427167	2	Housing Cover			
26	19427197	1	Plug-in Connector			
26A	19427199	1	Rubber Gasket			
26B	19427198	1	Bearing Housing			
27	19427174	1	Cable Harness			
28	19427177	1	Circlip			
29	19427045	1	Starter			
29A	19427106G	1	SWITCH Assy			
29B	19620046	1	Hexagon Nut			



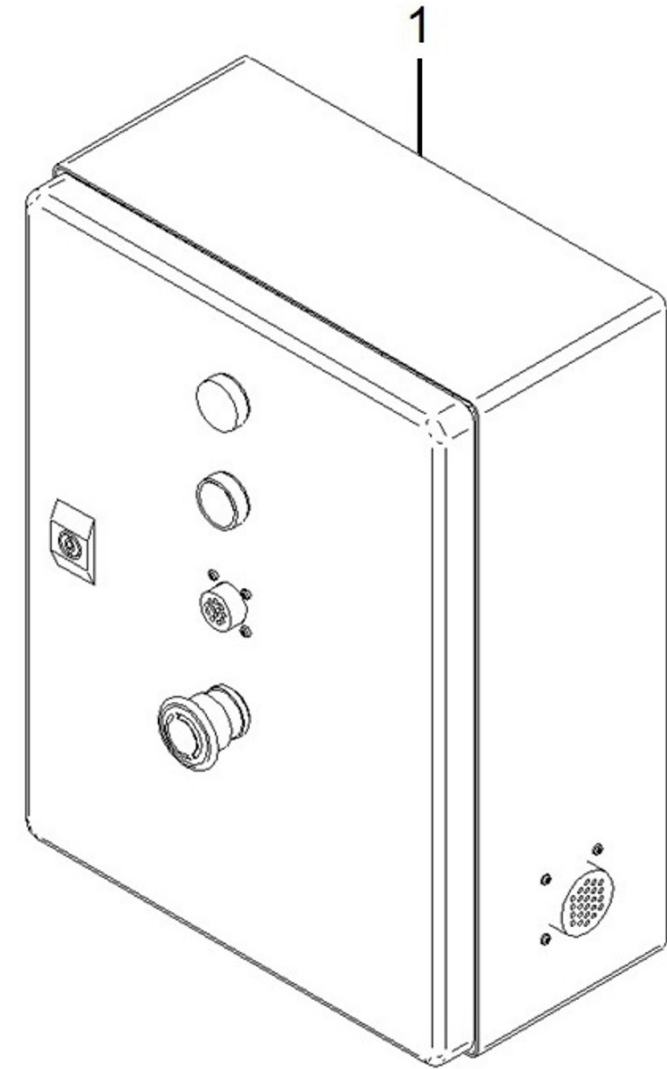
D_SDZ109EGSST_05_1 24V Electrical System

Fig.	Ref.	Qty.	Descr.	Obs	From	UpTo
30	19427020.1	3	Bolt			
31	19427010GB	1	Alternator 24V/35A			
31A	19427016G.2	1	Volatge Regulator			
31B	19427015.2	1	Fan			
31C	19427018.1	1	Fastenings			
31D	51123006	1	Nut DIN 985 M6 5.6			
31E	53033006	1	Washer GROWER DIN 127-6			
32	19427002G.1	1	Bracket, Alternator			
33	19427007G.1	1	Plate			
34	19427008G.1	1	Threaded Piece			
35	19424006	4	HEXAGON Bolt			
36	19427052G.2	1	Pulley			
37	19424047.1	1	Plain Washer			
38	19427026	1	Bush			
39	19422053	1	HEXAGON Bolt			
40	19428006	1	Screw			
41	19427013.1	1	Hexagon bolt			
42	17217005	1	Spacer 8,5X25X8,5			
43	17017025	1	Belt Type SPZX 1012			
44	17117012	2	Tensor Bakelite Bushing			
45	19417011	2	Bracket Bakelite Bushing			
46	19428007.1	1	Plain washer			
NS	58018160	1	Screw			
NS	60900152	1	Wire			
NS	60900155	1	Wire			
NS	60900289	1	Wire			
NS	60900956	2	10k ohm Resistor			
NS	60994205P	1	85/115 GT/GTC Wiring Prep.Parallel Oper.			



D_SDZ109EGSST_05_2 Control Cabinets

Fig.	Ref.	Qty.	Descr.	Obs	From	UpTo
1	60994505	1	Parallel prep. ECU SDZ-109/165 box ETR			1/03/2024
1	60994509	1	Parallel prep. ECU SDZ-109/165 box ETR		1/03/2024	



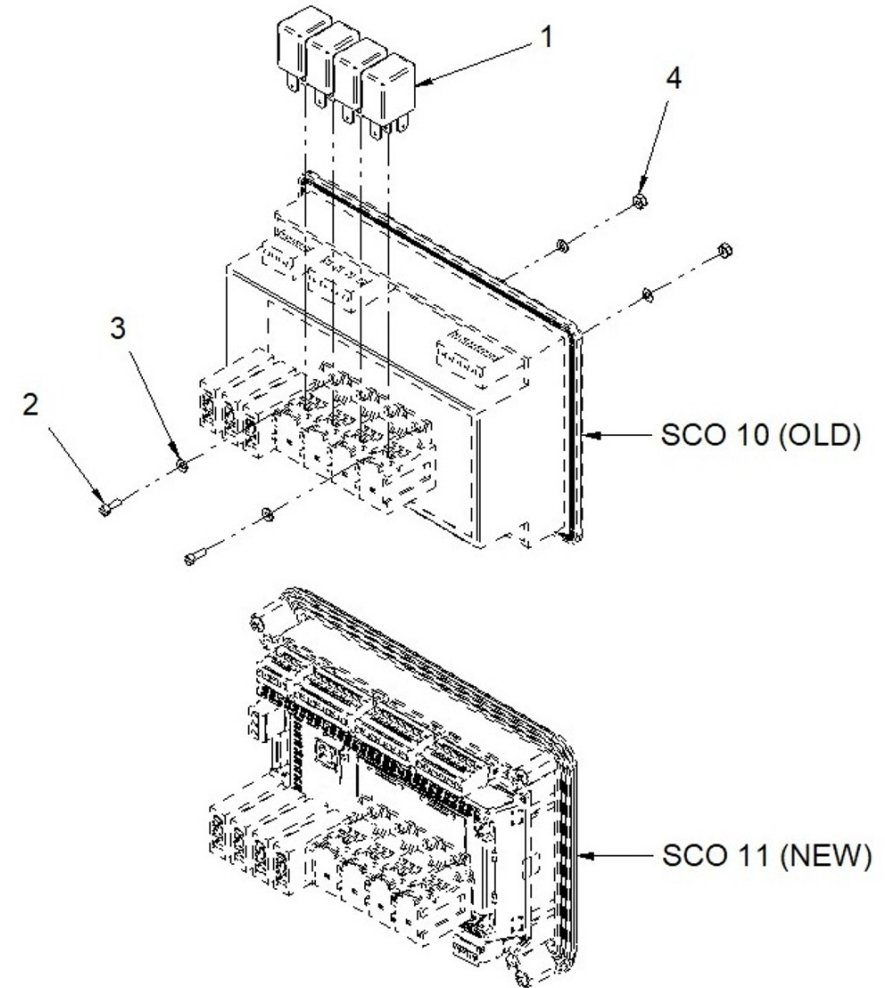
D_SDZ109GTST_05_5 Panels for Genset

Fig.	Ref.	Qty.	Descr.	Obs	From	UpTo
1A	62994240ST	1	Panel SCO 11 100 GTA ETS 24V 240V			
1B	62994400S.18	1	Panel SCO 11 100 GTAC 24V 480/277V			
1C	62994230ST	1	Panel SCO 11 85 GTC ETS 24V 230V			
1D	62994400S	1	Panel SCO 11 85 GTC ETS 24V 400/230V			
1E	62994230S.EMR2	1	Panel SCO 11 60 GSC ETS 24V 230V EMR2 Start/Stop But			



D_PANELGRUPO1_01 Spare Parts List for Generator Panel

Fig.	Ref.	Qty.	Descr.	Obs	From	UpTo
1A	60900091	4	MICRO Relay 12V 12-20			
Figure A for 12V System						
1B	60900092	4	MICRO Relay 24V 24-10			
Figure b for 24V System						
2	54108003	2	Bolt DIN 84 M3-8 INOX.			
3	51030003	4	Washer DIN 125-3			
4	52120003	2	Nut DIN 934 M3 8.8			
NS	60972106	1	System Back Panel			
NS	60972124	1	SCO 10 Panel Screw Bracket			
NS	62900001	1	Rail Guide For Modular Micro Relay Holder - Fusible		31/03/2023	
NS	62972123	1	Electrical System Back Panel SCO 11			
NS	62972124	1	SCO 11 Pamel Screw Bracket			



D_W1C1_1_3		Deutz Parallel Group Lengths				
Fig.	Ref.	Qty.	Descr.	Obs	From	UpTo
1A	60994254	1	Wiring extensions Electronic Actuator Genset with SC			
1B	60994255	1	Wiring extensions Electronic Actuator Genset SCO Pan			
1C	60994210P.2	1	Wiring Extension Parallel Genset Power and monitorin			
1D	60994212P.2	1	Wiring Extension Parallel Genset Power and monitorin			
1E	60974552	1	3-way Wiring Wxtension for Auxiliary Kits 4 m			
1F	60900165	1	3-way Wiring Extension for Auxiliary Kits 6 m			
1G	60900166	1	3-way Wiring Extension for Auxiliary Kits 12 m			
1H	60900167	1	3-way Wiring Extension for Auxiliary Kits 24 m			
1I	60972104	1	Double Panel SCO 12 M. Harness			
1J	60972105	1	Double Panel SCO 24 M. Harness			
1K	60972110	1	Double Panel SCO 36 M. Harness			
1L	60972145	1	Double Panel SCO 45 M. Harness			



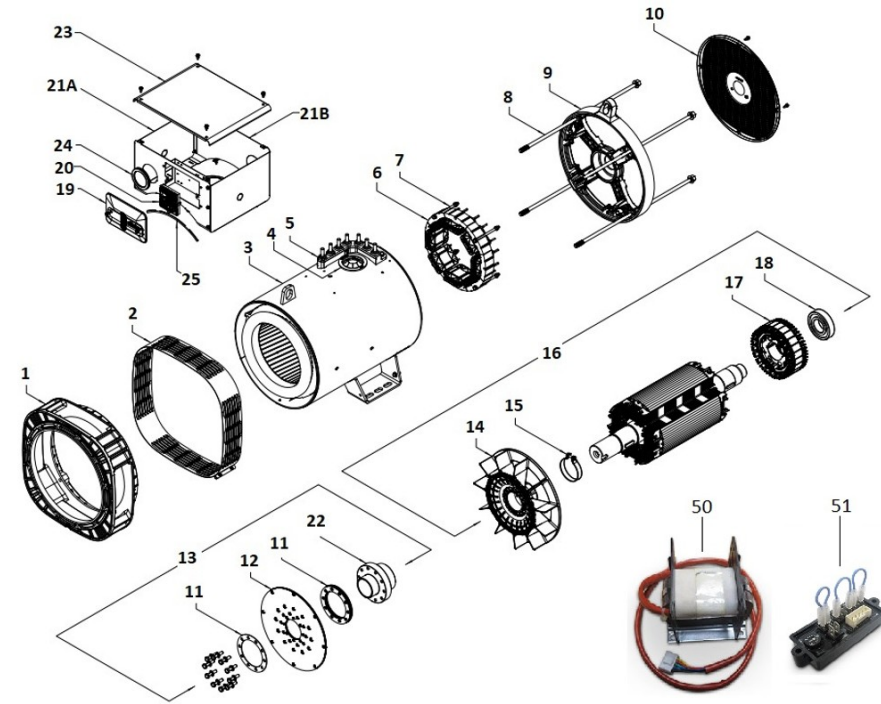
D_SDZ109EGSST_06_1 Alternator 60 GSC EMR2

Fig.	Ref.	Qty.	Descr.	Obs	From	UpTo
1	605111060ZI0RC	1	Alt. MECCALTE I 60 KVA 230V C-Type (RC)			



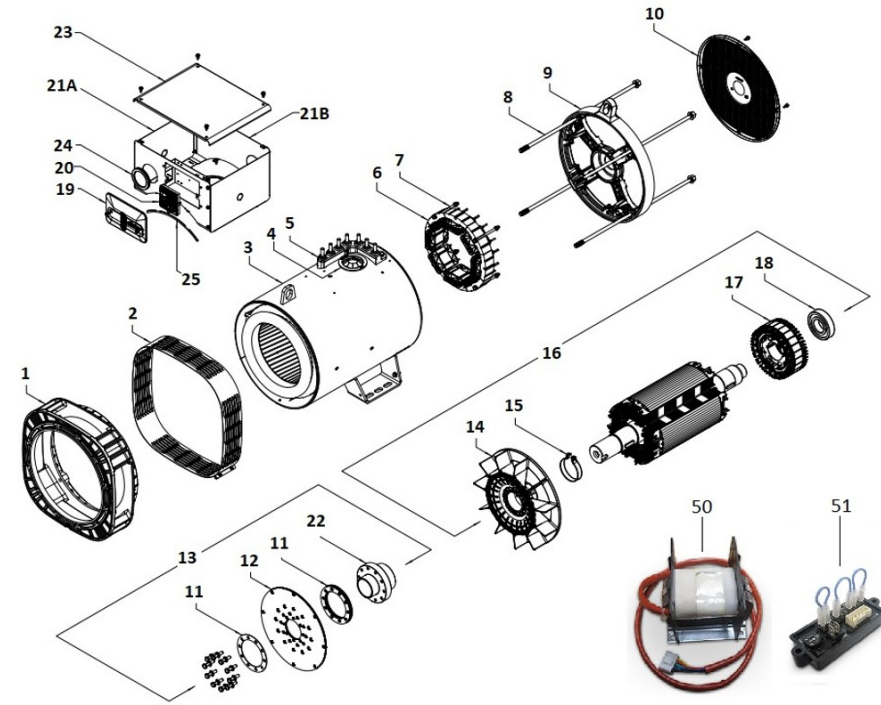
D_SDZ109EGSST_06_2 Spare Part List Alternator Type C

Fig.	Ref.	Qty.	Descr.	Obs	From	UpTo
1	605113125ZI.1	1	Drive end Bracket			
2	605113125ZI.2	1	Protection Screen			
3	605113087ZI.1	1	Frame and Stator			
4	605113130Z3.19	1	Cable Grommet, 90mm Hole			
5	605113125ZI.4	1	Terminal Board 7 pin M12			
6	605113085Z5.5	1	Exciter Stator H-55 8P - S/L			02/2020
6	605113125ZI.5	1	Exciter Stator H-45 8P		02/2020	
7	605113125ZI.6	1	Exciter Stay Bolt			02/2020
7	605113130Z3.24	1	Exciter Stay Bolt		02/2020	
8	605113087ZI.2	1	Cover Stay Bolt			
9	605113125ZI.8	1	Aluminum non Drive end Bracket			
10	605113125ZI.9	1	Rear Seal			
11	605113085Z5.16	1	Disc Locking Ring			
12	605113085Z5.13	1	Disc Plates SAE 11,5			
13	605113125ZI.10	1	Kit Coupling Disc Plates SAE 11,5		05/2020	
13	605113125ZI.11	1	Kit Coupling Disc Plates SAE 11,5		05/2020	
14	605113125ZI.12	1	Plastic Fan			
15	605113125ZI.13	1	Clamp 95x22			
16	605113087ZI.3	1	Rotor Assy			
17	605113125ZI.15	1	Exciter Armature, H-55 (+ Diodes), 78.5mm Hole			02/2020
17	605113125ZI.16	1	Exciter Armature, H-45 (+ diodes), 78.5mm Hole		02/2020	
18	605113085Z5.9	1	Rear Bearing 6311-2RS C3			
19	M9909505310	1	Regulator Cap			
20	60500023.1	1	Electronic Regulator DSR			
21A	605113125ZI.17	1	Side Panel for AVR			
21A	605113125ZI.18	1	Closed Side Panel			
22	605113085Z5.12	1	Coupling Hub SAE 10 - 11,5 - 14			05/2020
22	605113125ZI.21	1	Coupling Hub		05/2020	
23	605113125ZI.19	1	Terminal Box Lid			
24	605113125ZI.20	1	Cable Grommet			
25	605113050Z4.8	1	PVC Rubber Profile			



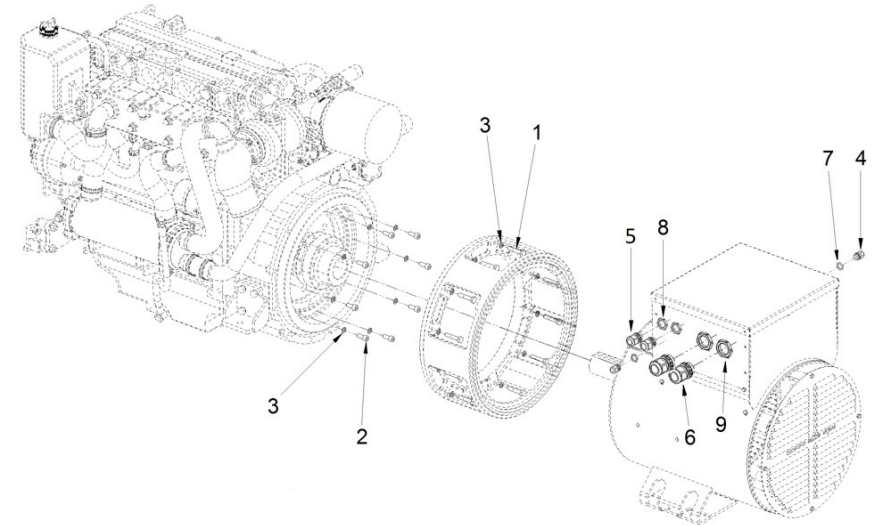
D_SDZ109EGSST_06_2 Spare Part List Alternator Type C

Fig.	Ref.	Qty.	Descr.	Obs	From	UpTo
50	60511386P	1	PD500 Parallel Device			
51	60511387P	1	PD-I Parallel Device			
NS	605113050Z4.25	1	Kit USB2DxR			
NS	605113125ZI0.22	1	Kit terminal box (19+21+22+23+24+25)			
NS	605113125ZI0.23	1	Cable assembly + varistor + capacitor for rotating b			
NS	605113125ZI0.24	1	Cable Assembly + Varistor + Capacitor for Rotating B			

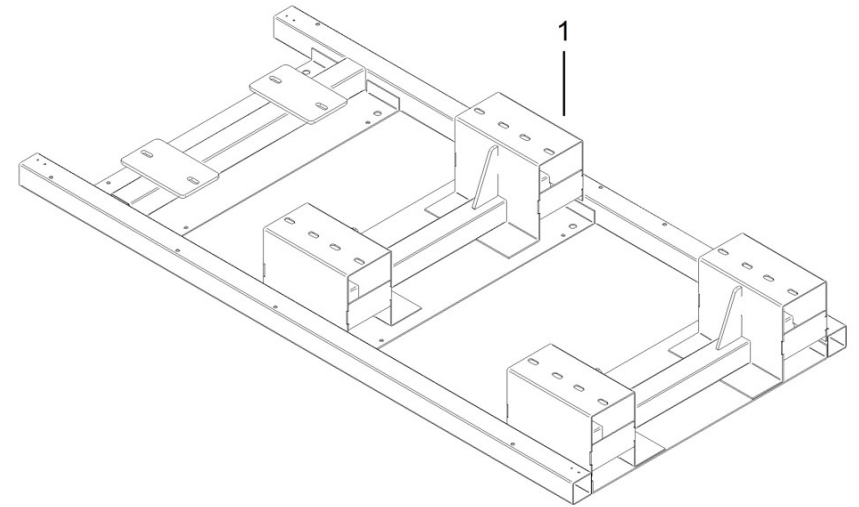


D_60594068 Alternador Kit with Canopy

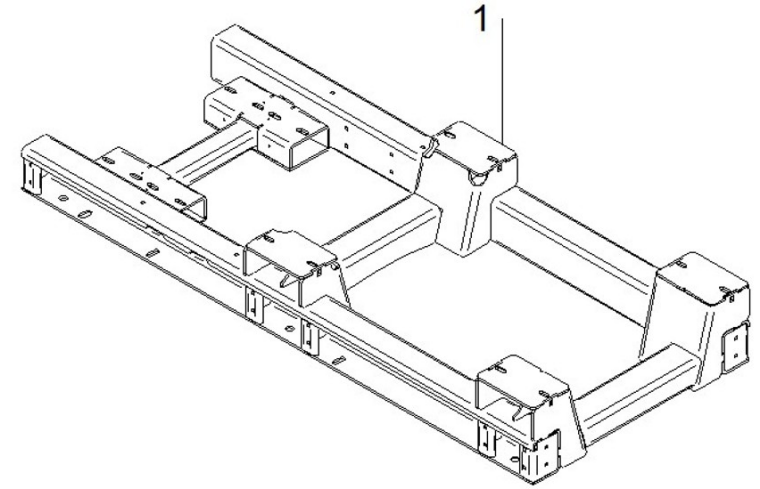
Fig.	Ref.	Qty.	Descr.	Obs	From	UpTo
1	52101311	12	Bolt DIN 931 M10-40 8.8			
2	52103308	8	Bolt DIN 912 M10-25 8.8			
3	53033010	20	Washer GROWER DIN 127-10			
4	60900304	2	Connector Press PA Grey IP68 M16			
5	60900306	2	Connector Press CAPTOR-2000 M25 RAL7001			
6	60900313	2	Cable Gland Captor-2000 PG29			
7	60900307	2	Screw Connector Press PA Grey IP68 M16			
8	60900309	2	Screw Connector Press Captor-2000 M25			
9	60900314	2	Hexagonal Locknut Captor-2000 PG29			
NS	51058054	2	Aluminium Rivet 4.0 X 10			
NS	60900517	1	Cover,wiring			
NS	60972162M.4	1	Current Transformer Sing.Ph. Cable 4 M.			
NS	60974077	1	Kit Fan Installation			
NS	6097A166	1	Amperometric transformer Bracket			
NS	60994073M	1	"V" Brown Breaker to Alt. System			
NS	60994073N	1	"U" Black Breaker to Alt. System			
NS	60996162	1	Amperometric Transformer 300/5			



D_60594042.1		Genset Chassis				
Fig.	Ref.	Qty.	Descr.	Obs	From	UpTo
1	60594042.1	1	Genset CHASSIS		05/04/2017	06/09/2023

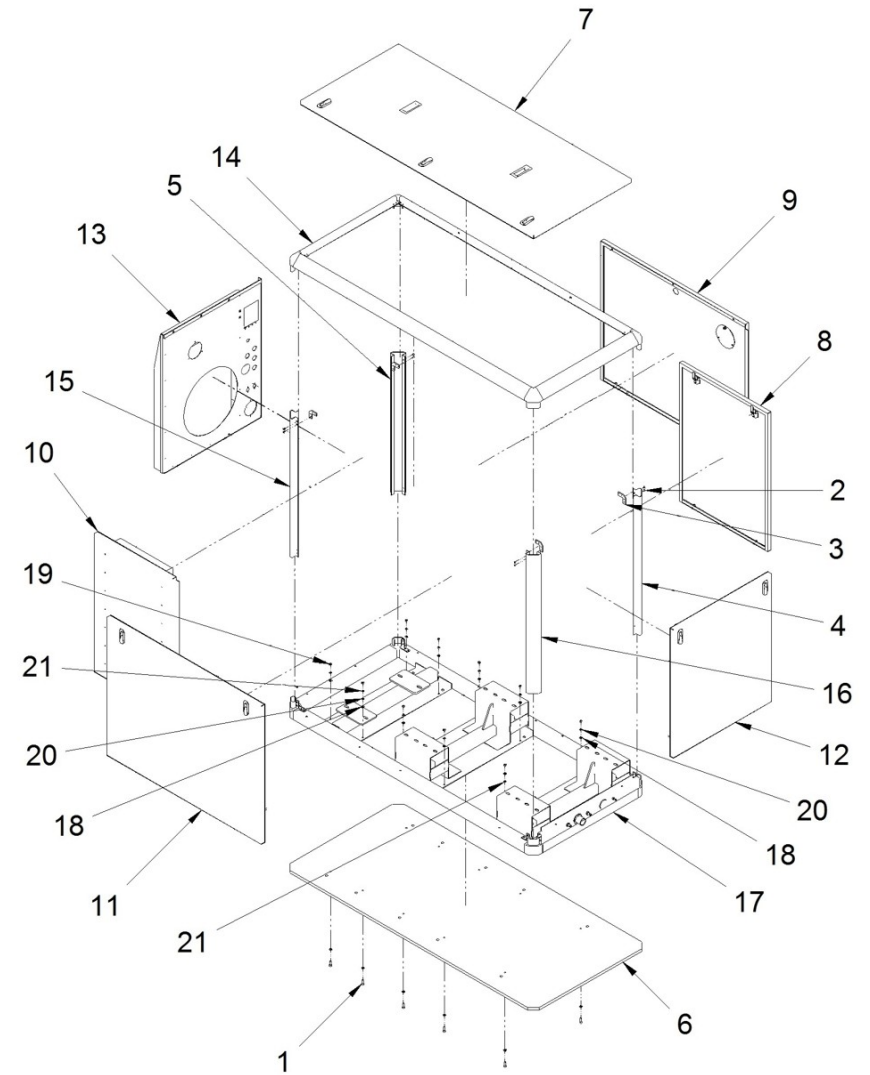


D_60594035		Chassis				
Fig.	Ref.	Qty.	Descr.	Obs	From	UpTo
1	60594035	1	Engine Bed		06/09/2023	



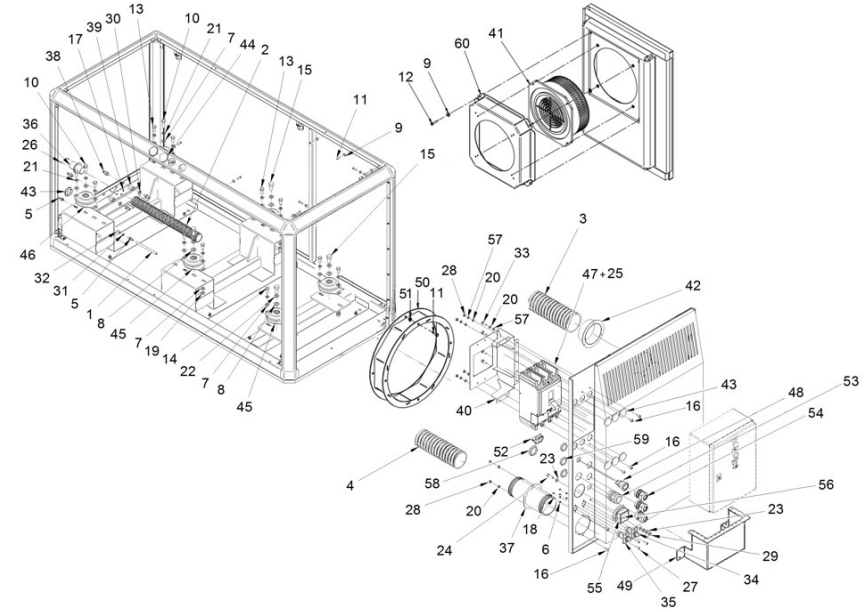
D_SDZ109EGSST_09_1 Cabin

Fig.	Ref.	Qty.	Descr.	Obs	From	UpTo
1	52103258	10	Bolt DIN 912 M8-25 8.8			
2	53105104	8	Bolt DIN 7991 M5-10 12.9			
3	60573041.43	4	L Fastening Bracket			
4	60594042.03	1	VERTICAL BAR			
5	60594042.04	1	VERTICAL BAR			
6	60594042.10	1	BASEBOARD			
7	60594042.20	1	Upper Panel			
8	60594042.21B	1	Side Panel			
9	60594042.21C	1	Side Panel			
10	60594042.22A	1	Output Panel			
11	60594042.22B	1	Output Panel			
12	60594042.24	1	FrontAL Panel			
13	60594043.25	1	Back Panel			
14	60594042.30	1	Upper FRAME			
15	60594042.31	1	VERTICAL BAR			
16	60594042.32	1	VERTICAL BAR			
17	60594042.61	1	Bottom Frame			
18	51030008	20	Washer DIN 125-8			
19	52120008	10	Nut DIN 934 M8 8.8			
20	53033008	9	Washer GROWER DIN 127-8			
21	53038008	2	Washer DIN 6798-A 8			



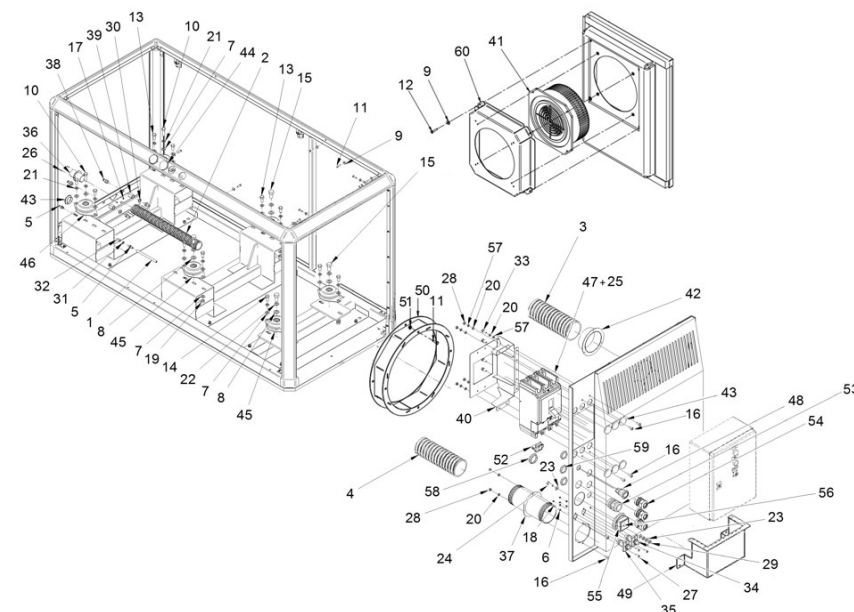
D_SDZ109EGSST_09_2 Kit Cabin

Fig.	Ref.	Qty.	Descr.	Obs	From	UpTo
1	M80501006	1.0	Hose D.10-6			
2	M87504252	2.0	Water Intake Hose (HQ) D. 42-52			
3	M8850102114	1.0	Exhaust Hose D. 102			04/03/2024
3	M885710200	1.0	Air Aspiration Hose D. 102		04/03/2024	
4	M885090102	1.0	Exhaust Hose D. 90			
5	13814072	2	Straight Hose Connector 1/8" NPTF			
6	51030005	4	Washer DIN 125-5			
7	51030012	24	Washer DIN 125-12			
8	51030016	4	Washer DIN 125-16			
9	51031006	11	Washer DIN 9021 6			
10	52101373	2	Bolt DIN 931 M12-100 8.8			
11	52102157	15	Bolt DIN 933 M6-20 8.8			
12	52102159	4	Bolt DIN 933 M6-30 8.8			
13	52102358	8	Bolt DIN 933 M12-25 8.8			
14	52102359	4	Bolt DIN 933 M12-30 8.8			
15	52102461	4	Bolt DIN 933 M16-40 8.8			
16	54118156	6	Bolt DIN 7985 M6-16 INOX			
17	52120004	2	Nut DIN 934 M4 8.8			
18	52120005	4	Nut DIN 934 M5 8.8			
19	52120012	8	Nut DIN 934 M12 8.8			
20	53033006	11	Washer GROWER DIN 127-6			
21	53033012	14	Washer Grower DIN 127-12			
22	53033016C	4	Washer			
23	54030008	3	Washer DIN 125-8 INOX.			
24	54103258	1	Bolt DIN 912 M8-25 INOX.			
25	60994024	1	NSX400 Protection Unit 3P 400A			
26	54118054	2	Bolt DIN 7985 M4-10 INOX			
27	54118106	4	Bolt DIN 7985 M5-16 INOX			
28	54120006	6	Nut DIN 934 M6 INOX			
29	54120008	2	Nut DIN 934 M8			
30	56000073	2	Copper Washer 16-23-1,5			



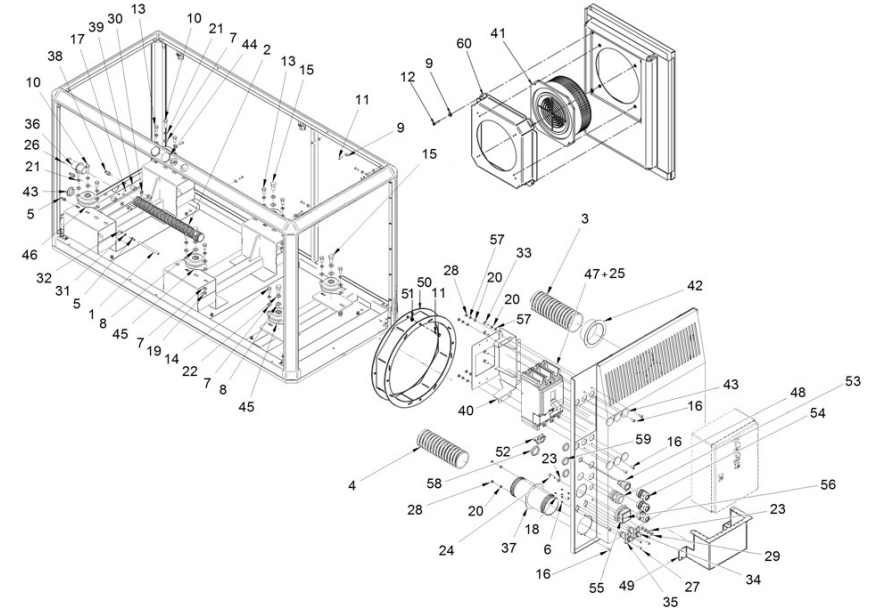
D_SDZ109EGSST_09_2 Kit Cabin

Fig.	Ref.	Qty.	Descr.	Obs	From	UpTo
31	57000361	1	Washer 10-14-1,5			
32	60573041.39	1	ROD Coupling 1/8 BSP			
33	52103157	5	Bolt DIN 912 M6-20 8.8			
34	60573047	1	Battery Plug IN			
35	60573048	1	Battery Plug IN			
36	60594026	1	Water Wall Bushing D.42			
37	60594028	1	Exhaust Wall PASS D90			
38	60594041.39	4	Gasoil Wall Bushing D12 MALE			
39	60594041.40	2	ROD Coupling 3/8 BSP			
40	60594042.85	1	Circuit Breaker Bracket			
41	6057A050	1	Centrifugal Fan PSB 230V			
42	60594042.64	2	Air TUBING D100			
43	60900508	7	Shutter 31			
44	60900514	2	Shutter 44			
45	61674007	4	Engine Mount Type F BRB 110 A40 SHA M16 H 41			
46	61674006	2	Engine Mount Type F BRB 110 A40 SHA M12 H 41			
47	60994025	1	Adjustment Block Protection NSX400			
48	60900510	1	Emergency Stop PUSH BOTTOM			
49	19417007	1	Parallel box support (C)			
50	60594042.25G	1	Spacer Ring			
51	51123006	4	Nut DIN 985 M6 5.6			
52	60900511	1	Stop PUSH BOTTOM Body			
53	60900313	1	Cable Gland Captor-2000 PG29			
54	60900310	3	Connector Press CAPTOR-2000 M32 RAL7001			
55	60900344	1	Split Cable Gland M63			
56	60900402	1	Black Ø 25 Large Insert			
57	51030006	9	Washer DIN 125-6			
58	60900314	1	Hexagonal Locknut Captor-2000 PG29			
59	60900311	3	Screw Connector Press Captor-2000 M32			
60	6057A041.23B	1	Air Outlet Aluminium Sheet Box			
NS	54081012	4	Clamp DIN 3017 12-22/9 W4			

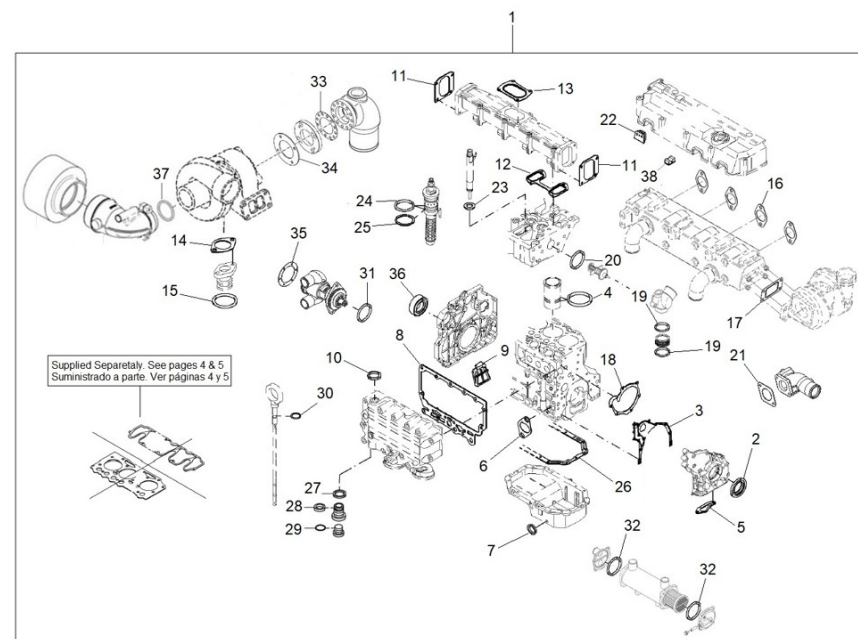


D_SDZ109EGSST_09_2 Kit Cabin

Fig.	Ref.	Qty.	Descr.	Obs	From	UpTo
NS	54082090	4	Clamp DIN 3017 90-110/12 W4	[NS]		
NS	54086097	2	GP Clamp 97-104 W4 STC	[NS]		
NS	60594042.62	1	Dry Exhaust Cover	[NS]		
NS	60900047	1	White Strip VDe 104 4	[NS]		
NS	60972074	1	0,44 M. Back Panel To Alt. Wiring Ground	[NS]		
NS	60972090	2	TER. PROTECTIVE 20 RED	[NS]		
NS	60972091	3	TER. PROTECTIVE 20 BLACK	[NS]		
NS	60974048	1	0,73 M. BLACK Battery NEGATIVE Wiring	[NS]		
NS	60974049	1	RED Battery POSITIVE Wiring	[NS]		
NS	60975074	1	Panel Back 0,66 M. Wiring GROUND ALT.	[NS]		
NS	M81511019	2.0	Fuel Hose D. 10-19	[NS]		
NS	M81511222	2.0	Fuel Hose D. 12-21	[NS]		

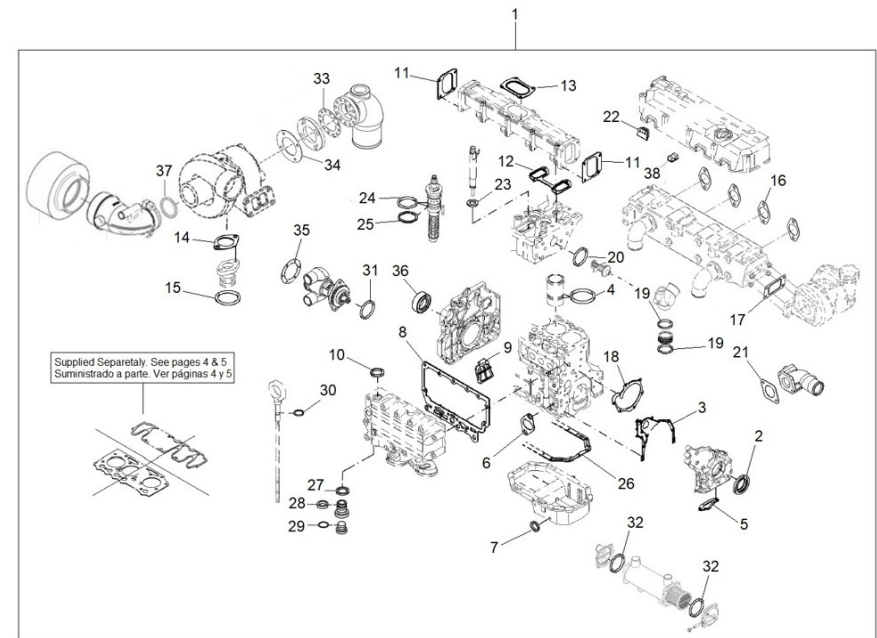


D_GJ01_6_1 Gasket Kit					
Fig.	Ref.	Qty.	Descr.	Obs	From UpTo
1	19420103	1	Gasket Set		
2	19420008	1	ROT.Shaft LIP Seal		
3	19420026.2	1	Gasket		
4	19420074	8	O-Ring D. 115X3		
5	19424056.1	1	Gasket		
6	19421076	1	Gasket		
7	19420032.1	1	Gasket		
8	19424084	1	Gasket		
9	19422116	1	CORE Hole Plug		
10	19421019	1	Sealing Ring		
11	19421047	2	Gasket		
12	19421063	2	Gasket		
13	19421034	1	Gasket		
14	19428062	1	Gasket		
15	19428063	2	Sealing Ring		
16	19421181.2	4	Gasket		
17	19421183.3	1	Gasket		
18	19421040	1	Flat Gasket		
19	19421044	2	O-Ring		
20	19421041	1	O-Ring		
21	19411010	1	Gasket		
22	19421018	4	Rubber Seal		
23	19426012	4	Sealing Ring		
24	19425002	12	O-Ring D. 40X3,5		
25	19425003	8	Shim		
26	19420033	1	Gasket		
27	19422118	1	Sealing Ring		
28	19422115	1	Sealing Ring		
29	19422113	1	O-Ring		
30	19620029.2	1	O-Ring		
31	19420221	1	O-Ring D. 82X4 VITON		



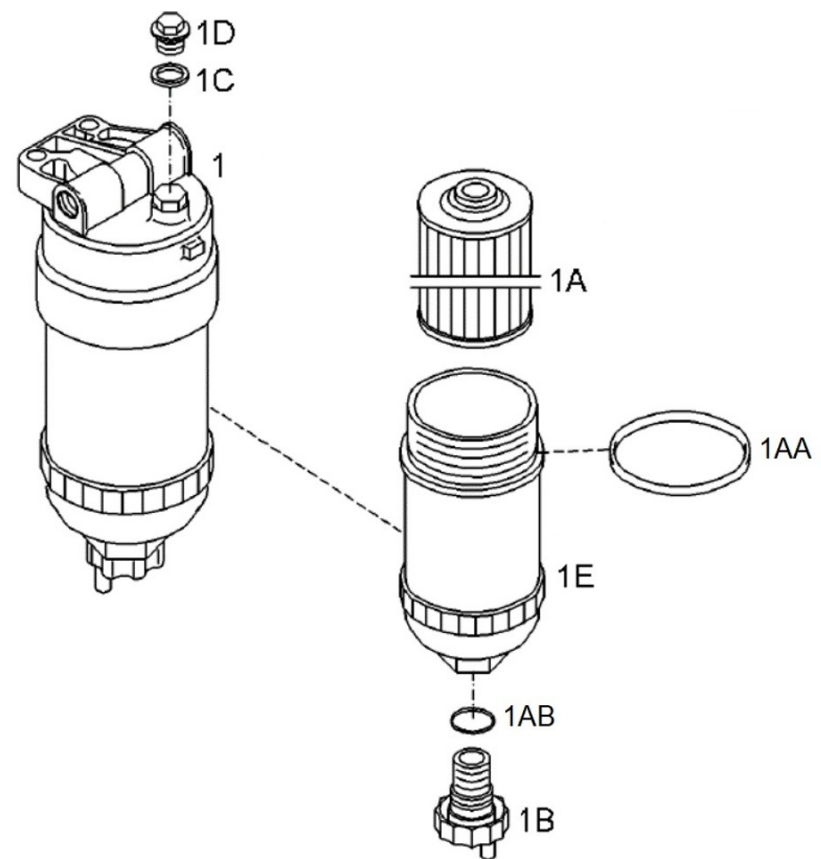
D_GJ01_6_1 Gasket Kit

Fig.	Ref.	Qty.	Descr.	Obs	From	UpTo
32	16711007	2	O-Ring D. 116X4			
33	16513016	1	Exhaust Elbow Gasket			
34	19413013	1	Gasket			
35	34711003	1	Gasket Cover			
36	19420039.1	1	ROT.Shaft LIP Seal			
37	19610019	1	O-Ring D. 62X5 VITON			
38	19421011	1	Cap			



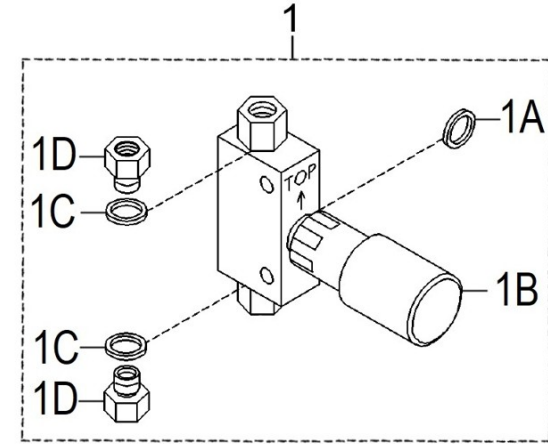
D_19424020 Fuel Filter

Fig.	Ref.	Qty.	Descr.	Obs	From	UpTo
1	19424020	1	SPin-ON Fuel FILT.			
1A	19424020.3	1	Pre Fuel Filter Element SDZ-165/205/280			
1AA	19424020.2	1	O-Ring D. 95X4			
1AB	19424020.4	1	O-Ring D. 12X2,5			
1B	19424020.5	1	DRAIN Valve			
1C	19421016	1	Sealing Ring			
1D	19420071	1	Screw Plug			
1E	19424020.8	1	Filter Housing			



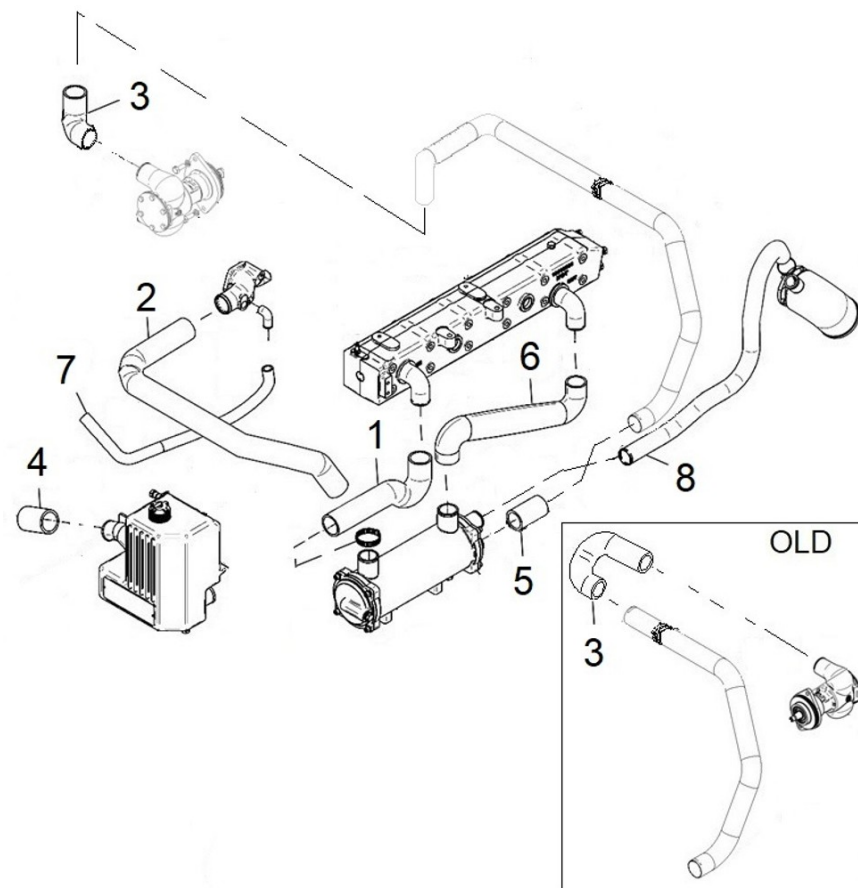
D_19424050 Hand Pump

Fig.	Ref.	Qty.	Descr.	Obs	From	UpTo
1	19424075	1	Kit Fuel Pump			
1A	19424050.1	1	Sealing Ring			14/11/2019
1B	19424050.2	1	Hand Pump			14/11/2019
1C	19424078	2	Gasket			14/11/2019
1C	56000077	2	Washer 18-23-1,5		14/11/2019	
1D	19424050.3	2	Adapter NIPPLE			14/11/2019
1D	19424079	2	Manual Pump gasoil Fitting		14/11/2019	



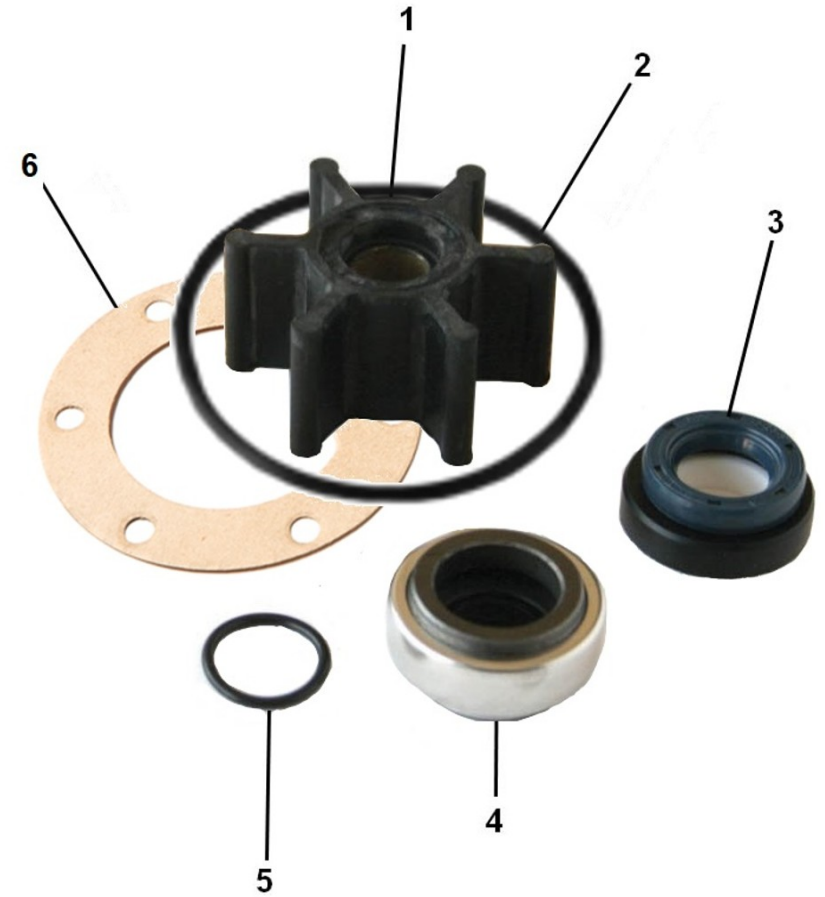
19411100G Pipe Rubber Set SDZ-109 Genset V.S

Fig.	Ref.	Qty.	Descr.	Obs	From	UpTo
1	19411019	1	Hose			
2	19411020	1	Hose			
3	19411015	1	Elbow		01/01/2023	
3	19411034	1	Pipe, Rubber			31/12/2022
4	19411043	1	Pipe 48-60-85			
5	19411061	1	Rubber Hose D.42-52-90			
6	19611020G	1	Hose			
7	M81560022	1.0	Cooling Hose SDZ Group Earth Isolated D. 22			



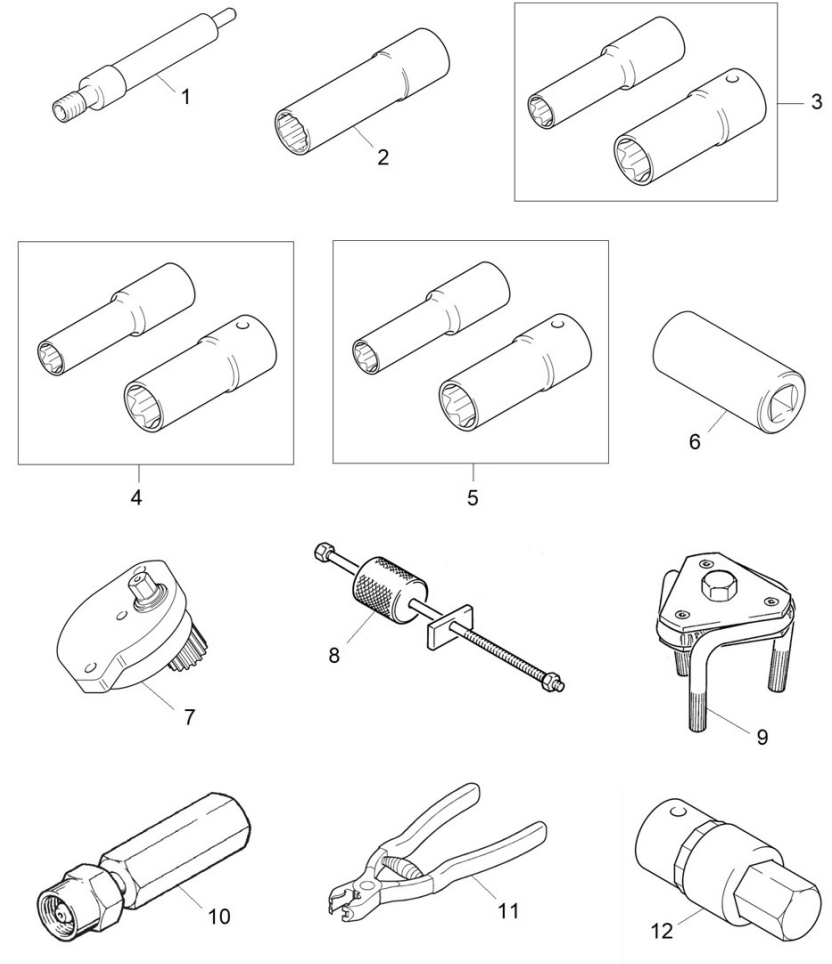
D_SDZ109EGTDN_10_3 Repair Kit Water Pump

Fig.	Ref.	Qty.	Descr.	Obs	From	UpTo
1	39411008	1	1" L.68 Impeller			
2	19420221	1	O-Ring D. 82X4 VITON			
3	36511020	1	Seal 16-30-7			
4	36511019	1	Seal			
5	33311013	1	O-Ring D. 15X2			
6	34711003	1	Gasket Cover			



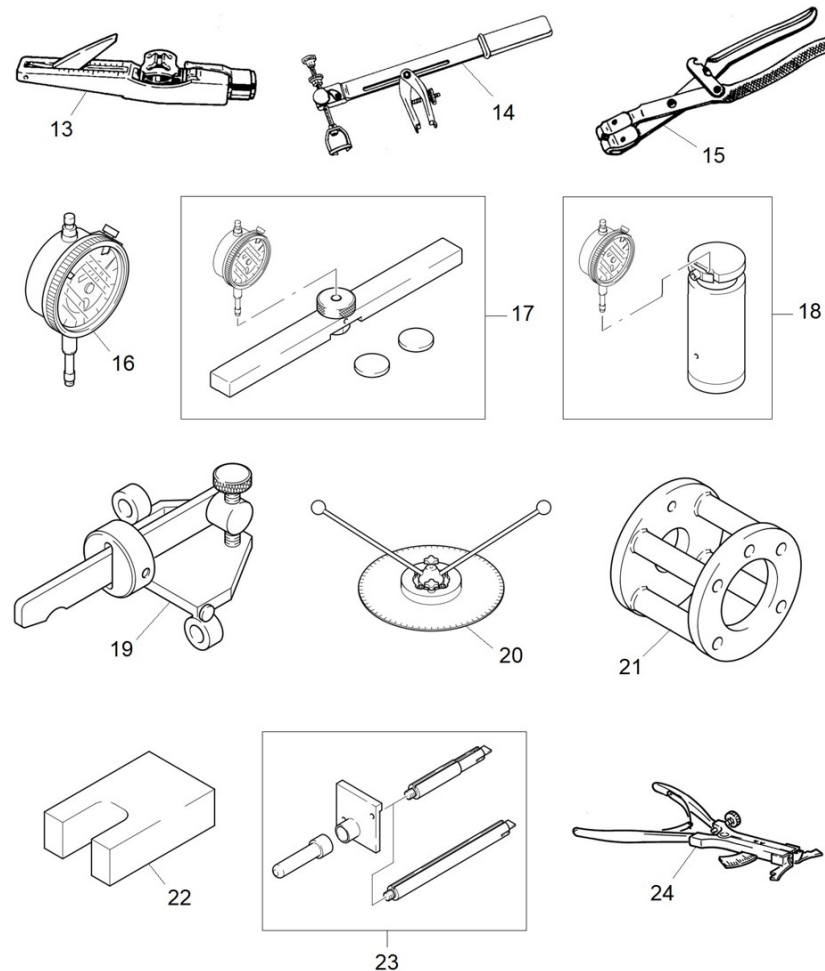
D_UTILSDZPRO_1 Special Tools 1/4

Fig.	Ref.	Qty.	Descr.	Obs	From	UpTo
1	UBP00006	1	Connector For Compression Tester			
2	UMSDZ001	1	Socket A/Flats 15 Long For Injector			
3	UMSDZ002	1	Torx Sockets Long Version			
4	UMSDZ003	1	Torx Sockets Long Version			
5	UMSDZ004	1	Torx Sockets Long Version			
6	UMSDZ005	1	Serrated Wrench Turning Injection Pump			
7	UMSDZ008	1	Assembly Tool For Front Crankshaft Seal			
8	UMSDZ010	1	Extractor			
9	UMSDZ011	1	Special Device Off Filter Cartridge			
10	UMSDZ012	1	Extractor Injector			
11	UMSDZ016	1	Cobra Clamp Pliers			
12	UMSDZ017	1	Screw Driver Socket			



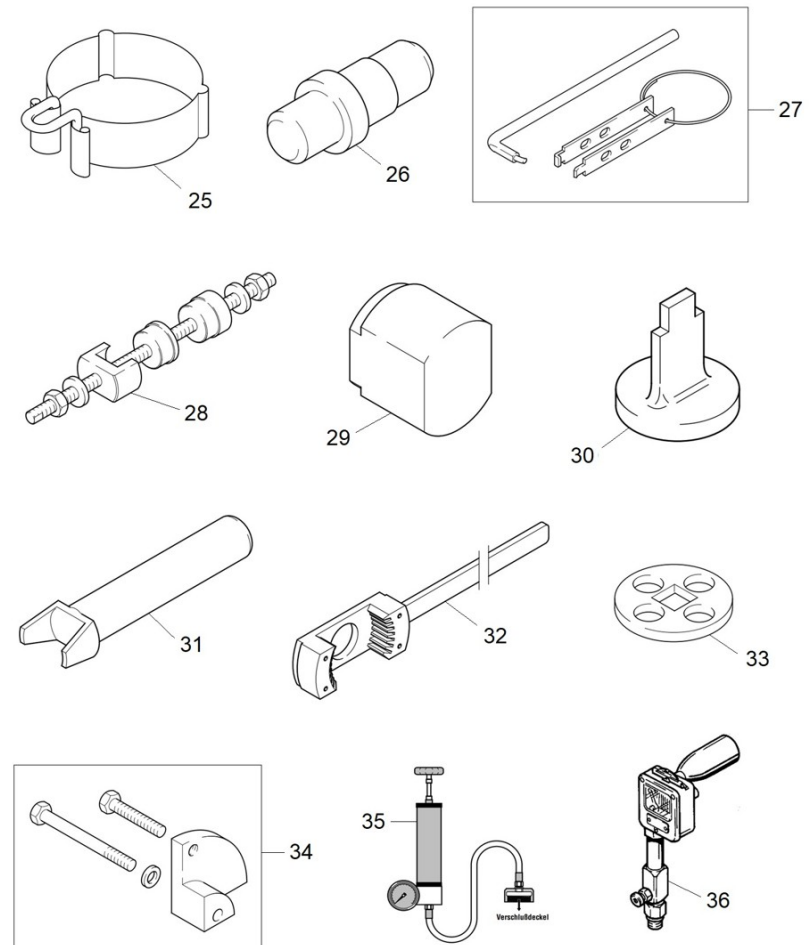
D_UTILSDZPRO_2 Special Tools 2/4

Fig.	Ref.	Qty.	Descr.	Obs	From	UpTo
13	UMSDZ018	1	V-Belt Tension Gauge			
14	UMSDZ019	1	Valve Spring Assembly Lever			
15	UMSDZ020	1	Spring Clamp Pliers			
16	UMSDZ024	1	Dial Gauge M2T With Locking Ring			
17	UMSDZ025	1	Measuring Bar With Spacers For Gauging			
18	UMSDZ026	1	Measuring Device Base Circle Injection			
19	UMSDZ027	1	Press-on Device For Control Rod			
20	UMSDZ028	1	GRADUATED DISC 360° For TDC and COD			
21	UMSDZ029	1	Adapter For Graduated Disc			
22	UMSDZ030	1	Dolly For Injector a/flats 11			
23	UMSDZ031	1	Assembly Tool For Control Rod Sleeves			
24	UMSDZ034	1	Piston Ring Pliers			



D_UTILSDZPRO_3 Special Tools 3/4

Fig.	Ref.	Qty.	Descr.	Obs	From	UpTo
25	UMSDZ035	1	Piston Ring Compressor			
26	UMSDZ036	1	Assembly Tool For Small End Bush			
27	UMSDZ037	1	Puller For Front And Rear Crakshaft Seal			
28	UMSDZ040	1	Assembly Tool For Camshaft Sleeves			
29	UMSDZ041	1	Assembly Tool For Cylinder Liner			
30	UMSDZ042	1	Assembly Tool For Pressure Control Valve			
31	UMSDZ043	1	Assembly Tool For Thermostat			
32	UMSDZ044	1	Dolly For Air Compressor Gear			
33	UMSDZ069	1	Turning Device			
34	UMSDZ070	1	Measuring Device For Control Rod			
35	UMSDZ058	1	Pressure Pump for Tightness Testing Coolant System			
36	UMSDZ059	1	Compression Tester			



D_UTILSDZPRO_4 Special Tools 4/4

Fig.	Ref.	Qty.	Descr.	Obs	From	UpTo
37	UMSDZ060	1	Injector Tester			
38	UMSDZ061	1	Torx Torx-Werkzeugsatz Tool Kit			
39	UMSDZ062	1	Spring Clamp Pliers			
40	UMSDZ063	1	Auxiliary Tool Glow Plug Cable Coupler			
41	UMSDZ064	1	Adjusting Bolts for Mass Compensating Shafts "MAG"			
42	UMSDZ066	1	Assembly Tool For Rear Crankshaft Seal			
43	UMSDZ067	1	Turning Gear			
NS	61800001	1	Injector Tester			
NS	UBP00002	1	Test Bench Engine Test Bench SDZ-280 Pressure			
NS	UMSDZ021	1	Spring Clamp Pliers			
NS	UV19410016B	1	Turbo pressure test tool SDZ-280			
NS	UV19424040.1	1	Fuel pressure test tool SDZ-280			

