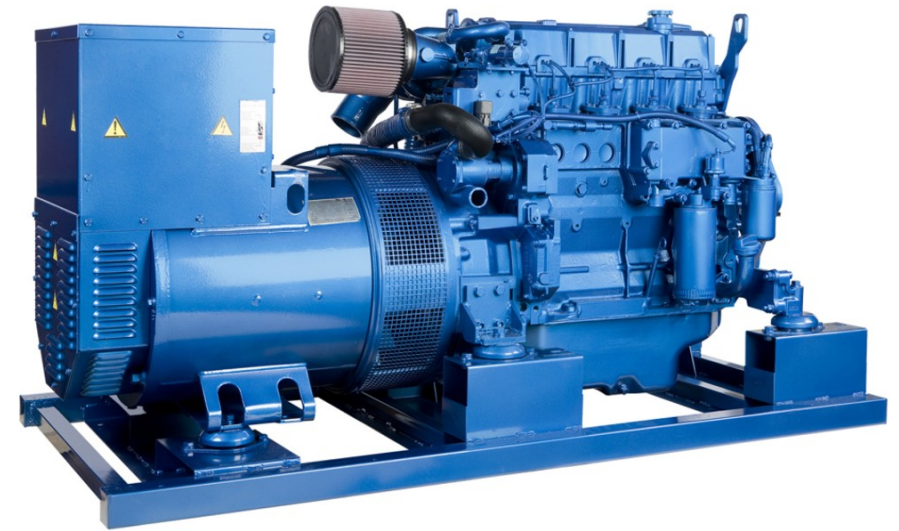




# Genset 85 GT/GTC & 100 GTA/GTAC Type Approval Certificate

VERSION 2024-3

PART LIST



# PARTS LIST CATALOGUE

## NORMS TO PLACE AN ORDER

For fast and more efficient service, please specify the following information on spare parts orders that must be preferably done by e-mail as specified below:

- 1- Engine model: As shown in identification plate
- 2- Engine serial number: As shown in identification plate and stamped on crankcase
- 3- Item description + part number + quantity required

---

Spare parts requests must be addressed to :

[orders@solediesel.com](mailto:orders@solediesel.com)

Telf.: +34 93 775 44 05

---

The components shown in the catalog have:

- Figure: Number by which they are represented in scheme
- Description: Trade name of the component
- Quantity: Total number of parts used in the assembly of the part represented (may differ from the total minimum quantities)

Hoses, indicates the total length in meters

---

The diagrams shown in this catalog of spare parts, have only the purpose to identify the piece in question, its representation is not meaningful and may differ from the actual piece.

In case of doubt, contact Solé Diesel, or your authorized dealer.

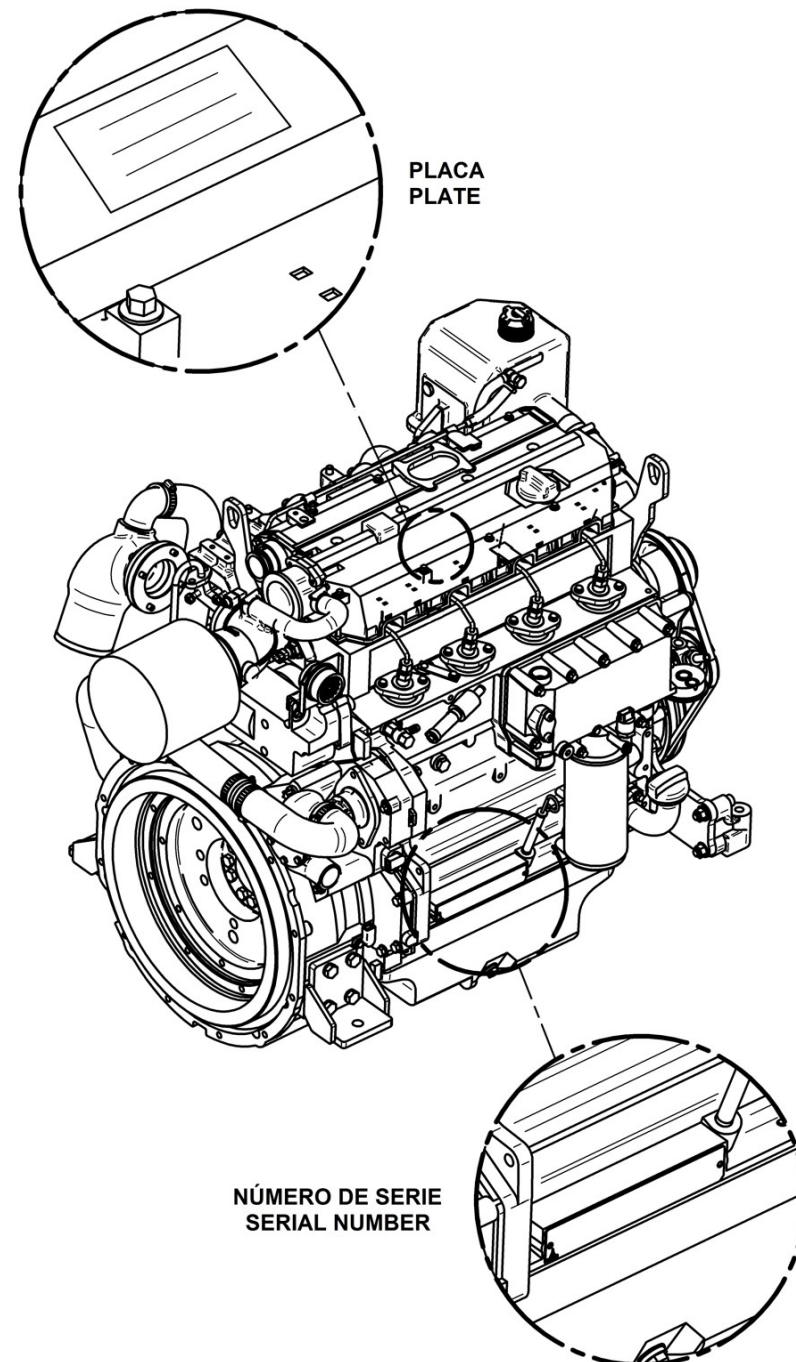
The parts i / or references in this catalog are subject to change without notice.

---

**SOLE, S.A.**

C-243b, km, 2 - P.O. BOX 25  
08760 Martorell (Barcelona) Spain

---



# Index

## Engine Body

- Cylinder Head
- Rocker Cover & Breather
- Valve Drive
- Timing Parts
- Case,Gear
- Crankcase
- Flywheel Housing
- Piston & Connectiong Rod
- Crankshaft & Flywheel
- Oil Sysem
- Oil Pan
- Engine Brackets
- Cooler Assy,oil
- Drive Belt Guard for Genset without Canopy

## Inlet & Exhaust

- Inlet
- Turbocharger
- Spare Parts, Turbocharger
- Manifold Assy,exhaust
- Breather Line

## Cooling System

- Water Pump
- Cooler Pipes
- Water Cooler Assy SDZ-165/205/280
- Wet Exhaust
- Expansion Tank
- Key Pump SDZ-165/205/280 Gr-109/165

## Fuel System

- Fuel Pipe And Fuel Leak Alarm
- Injection Nozzle
- Fuel Injection Pump
- Regulator
- Fuel Supply Parts
- Feed Pump

## Electrical System

- 24V Electrical System
- Control Cabinets
- Genset Extension TAC

## Genset Alternator Spare Parts

- Alternator 85 GT/GTC & 100 GTA/GTAC Parallel
- Spare Part List Alternator Type C 85GT Y 100 GTA
- Spare Part List Alternator Type B 85GT Y 100 GTA UP TO 29/12/2021

- Alternator Kit Without Canopy
- Alternator Kit with Canopy

## Chassis Spare Parts

- Genset Chassis
- Chassis

## Canopy Spare Parts

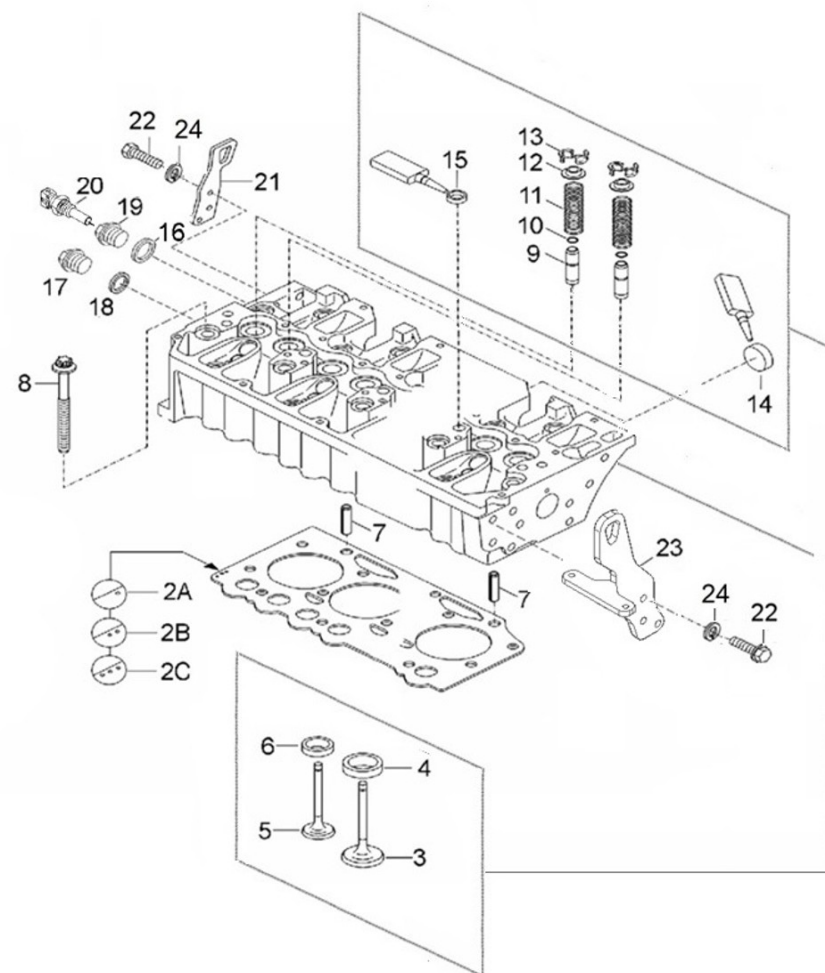
- Cabin
- Kit Cabin

## Maintenance Kit

- Gasket Kit
- Fuel Filter
- Hand Pump
- Pipe Rubber Set, Water Line
- Repair Kit Water Pump
- Special Tools 1/4
- Special Tools 2/4
- Special Tools 3/4
- Special Tools 4/4

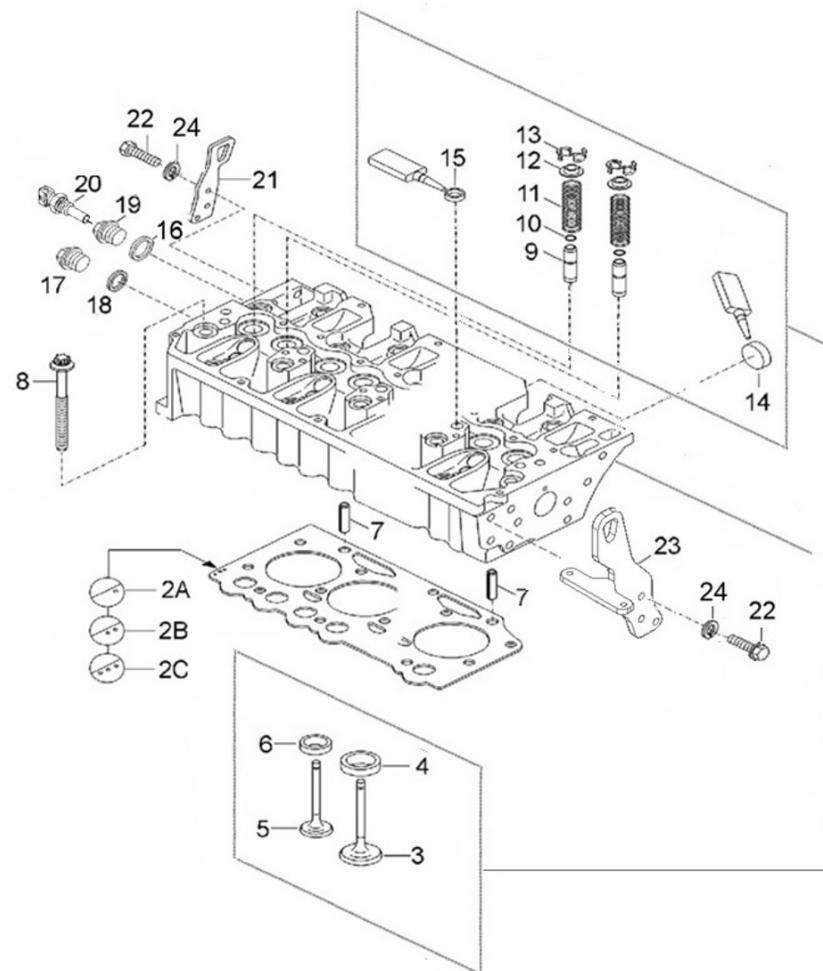
D\_SDZ109EGTDN\_01\_1 Cylinder Head

Fig.	Ref.	Qty.	Descr.	Obs	From	UpTo
1	19421001G	1	Cylinder Head			
2A	19421004.4	1	Cylind.head gasket			
2B	19421004.3	1	Cylind.Head Gasket 1,64 mm			
2C	19421004.5	1	Cylind.head gasket			
3	19522055	4	Intake Valve			
4A	19421061	4	Valve Seat INSERT			
4B	19421061.1	4	OverSIZE Valve Seat INSERT - 1ST			
4C	19421061.2	4	OverSIZE Valve Seat INSERT - 2nd			
5	19522056	4	Exhaust Valve			
6A	19421062	4	Valve Seat INSERT			
6B	19421062.3	4	Oversize Valve seat insert - 1A			
6C	19421062.4	4	Oversize Valve seat insert - 2			
7	19421007	2	ClampING Bush			
8	19421005	18	Bolt,cylinder head			
9A	19421002A	8	Valve Guide			
9B	19421002.1	8	OverSIZE Valve Guide - 1ST			
9C	19421002.2	8	OverSIZE Valve Guide - 2nd			
10	19422054	8	O-Ring			
11	19422057	8	COMPRESSION Spring			
12	19422058	8	VALV.Spring RETAIN			
13	19422059	16	Valve COLLET			
14	19420011	2	Plug			
15	19421008	3	CORE Hole Plug			
16	19421019	1	SeallNG Ring			
17	19420071.1	1	Screw Plug			
18	19421016	1	SeallNG Ring			
19	19417003	1	Adapter Plug			
20	19427189.1	1	Temperature transmitter			
21	19410020	1	Bracket			
22	52102308	5	Bolt DIN 933 M10-25 8.8			
23	19414007	1	Bracket 2nd Filter			



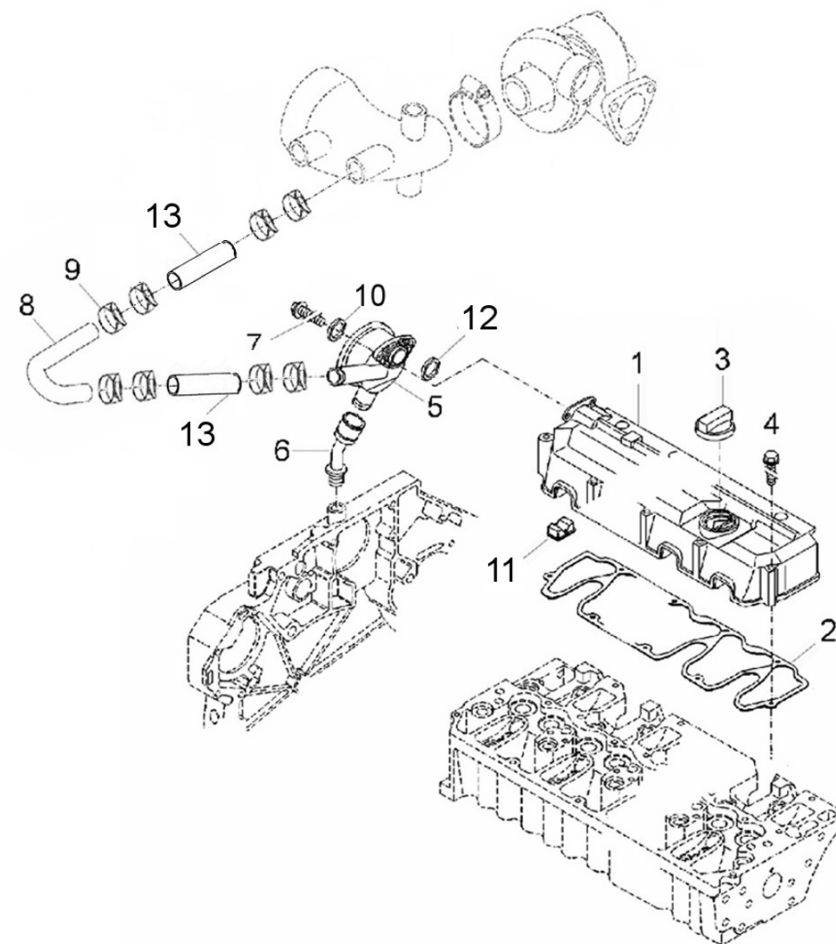
D\_SDZ109EGTDN\_01\_1 Cylinder Head

Fig.	Ref.	Qty.	Descr.	Obs	From	UpTo
24	53033010	5	Washer GROWER DIN 127-10			
NS	19421017	1	SAFETY/LOCK.AGENT			



D\_SDZ109EGTDN\_01\_2 Rocker Cover & Breather

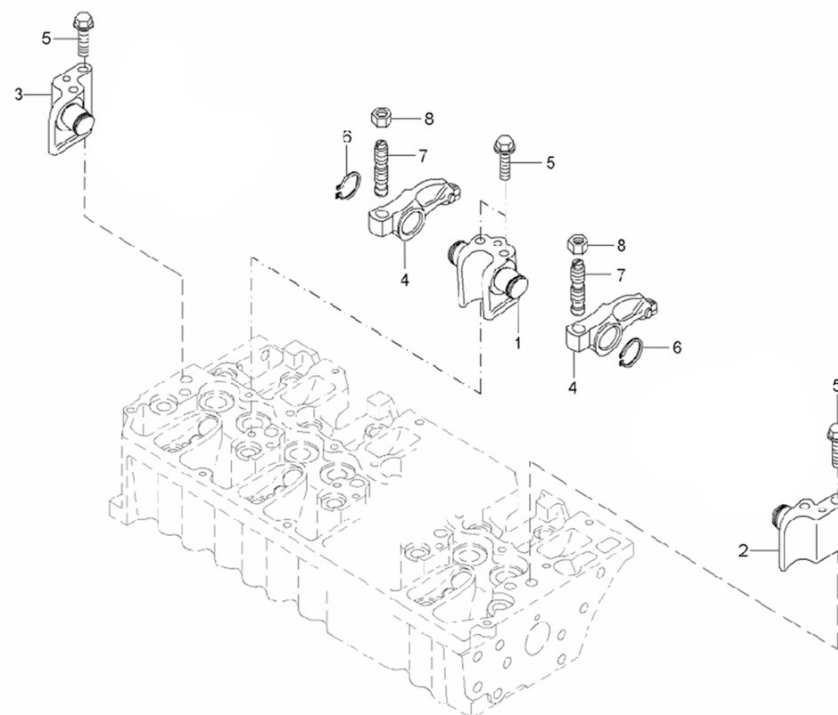
Fig.	Ref.	Qty.	Descr.	Obs	From	UpTo
1	19421009	1	Valve MECHAN.Cover			
2	19421010	1	Rocker Cover Gasket			
3	19421003	1	FILLER Cap			
4	19421012	4	HEXAGON Bolt			
5	19421051	1	Pressure REGULATO			
6	19421054	1	Rubber SLEEVE			
7	19621053	2	BOLT			
8	19411077	1	Brass Pipe D.22			
9	54081020	8	Clamp DIN 3017 20-32/9 W4			
10	19621056	2	WASHER			
11	19421011	1	Cap			
12	19421052	1	Gasket			
13	19411063	2	Rubber Hose D.22-32-70			



D\_GJ01\_1\_3

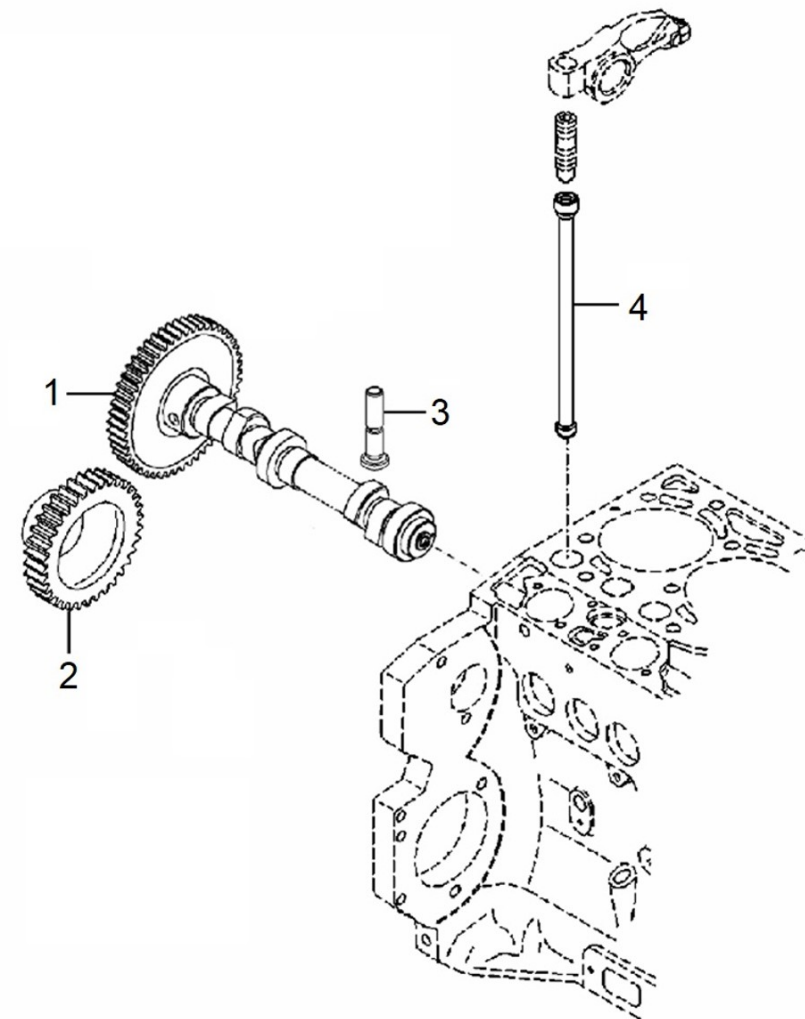
Valve Drive

Fig.	Ref.	Qty.	Descr.	Obs	From	UpTo
1	19422045	3	Rocker ARM Bracket			
2	19422045.1	1	Rocker ARM Bracket			
3	19422045.5	1	Rocker arm bracket			
4	19422042	8	Rocker ARM			
5	19422053	10	HEXAGON Bolt			
6	19422047	8	CIRClip			
7	19622044	8	Screw Adjusting			
8	19422052	8	Nut			



D\_SDZ109EGTDN\_01\_4 Timing Parts

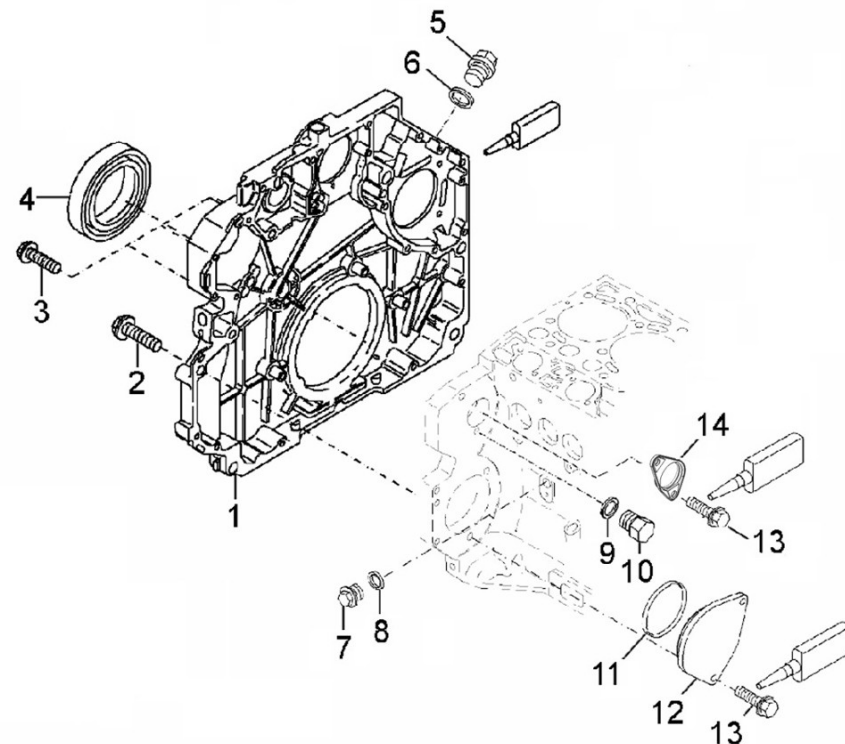
Fig.	Ref.	Qty.	Descr.	Obs	From	UpTo
1	19422039	1	Camshaft			
2	19421124	1	Toothed Gear			
3	19422061	2	Tappet			
4	19422041	2	PUSHROD			





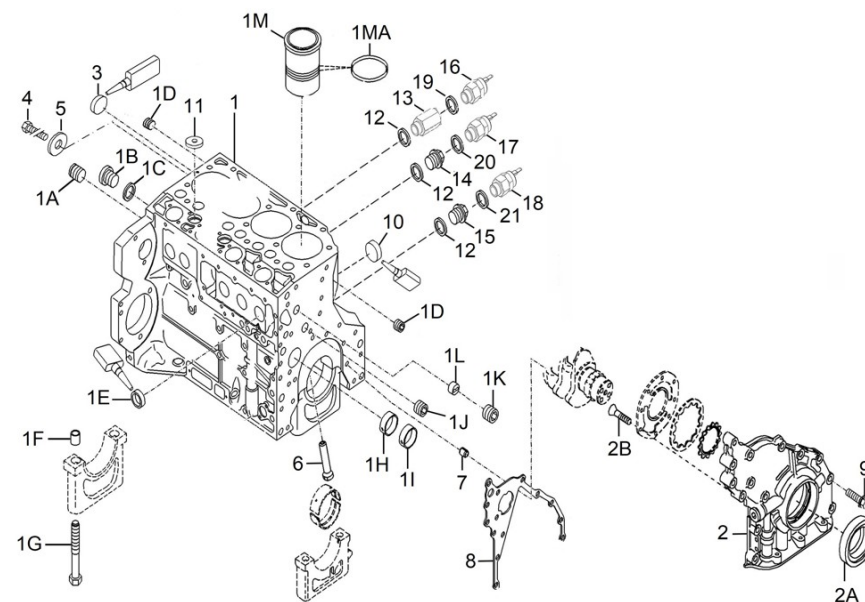
D\_SDZ109EGTDN\_01\_5 Case,Gear

Fig.	Ref.	Qty.	Descr.	Obs	From	UpTo
1	19420055.2	1	Gearcase			
2	19420027	12	Screw			
3	19421144	6	Hexagon Bolt			
4	19420039.1	1	ROT.Shaft LIP Seal			
5	19421020	1	Screw Plug			
6	19421116	1	Sealing Ring			
7	19420071.1	1	Screw Plug			
8	19420059G	1	Sealing Ring			
9	19424087	1	Sealing Ring			
10	19421023	1	Screw Plug			
11	19420226	1	O-Ring D. 100X4			
12	19420225.1	1	Cover			
13	19620010	4	Hexagon Bolt			
14	19620009	1	Cover			



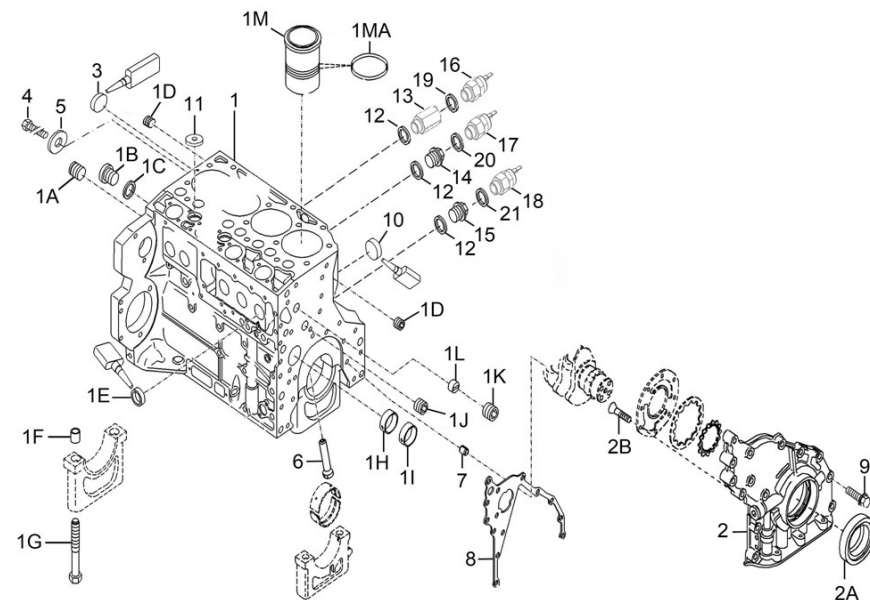
D\_SDZ109EGTDN\_01\_6 Crankcase

Fig.	Ref.	Qty.	Descr.	Obs	From	UpTo
1	19420001	1	CRANKCase			
1A	19420073	1	Screw Plug			
1B	19420063.1	2	Screw plug			
1C	19420064	4	Sealing Ring			
1D	19420067.3	2	Screw plug			
1E	19420070	6	CORE Hole Plug			
1F	19420062	10	Bush			
1G	19420061	10	Screw			
1H	19420069	1	Bearing Bush			
1I	19420068	4	Bearing Bush			
1J	19420082	1	Screw Plug			
1K	19420075	1	Screw Plug			
1L	19420072	1	Guide SLEEVE			
1M	19420050	4	Cylinder LINER			
1MA	19420074	8	O-Ring D. 115X3			
2	19420025.2	1	Front cover			
2A	19420008	1	ROT.Shaft LIP Seal			
2B	19420009.2	8	C.sunk head screw			
3	19427163	1	Cover			
4	19427165.1	1	Hexagon bolt			
5	19427164	1	Plain Washer			
6	19420034.2	4	Piston cool.nozzle			
7	19420028	1	Clamping Bush			
8	19420026.2	1	Gasket			
9	19420027	14	Screw			
10	19420180	1	CORE Hole Plug			
11	19420215	1	Plug			
12	56000020	3	Washer 14,3-22-1			
13	19417030	1	Conversion Adapter G1/2 A M14X1.5			
14	19417028	1	Conversion Adapter			
15	19417029	1	Conversion Adapter			



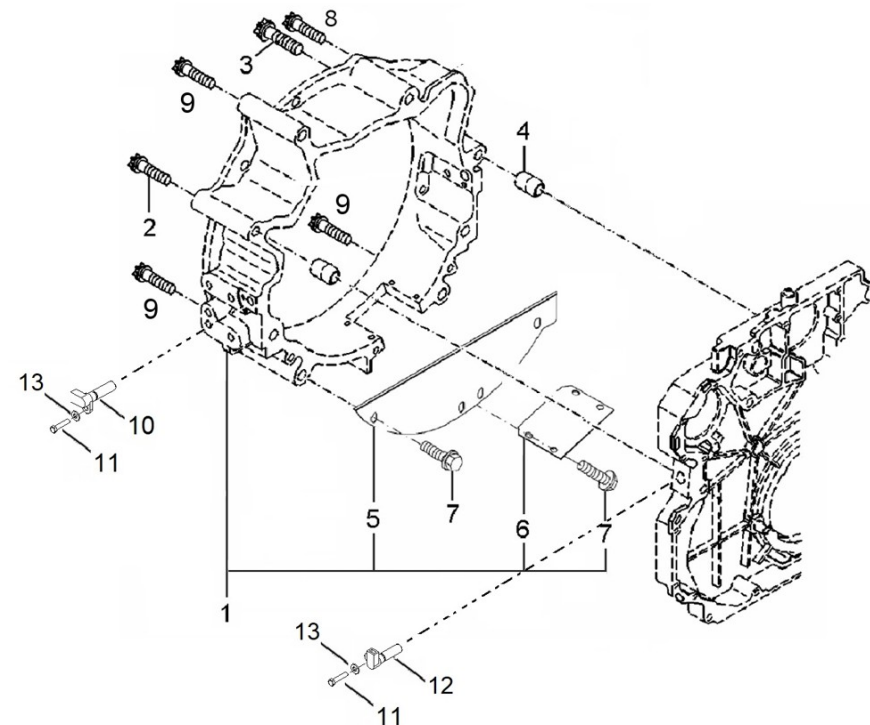
D\_SDZ109EGTDN\_01\_6 Crankcase

Fig.	Ref.	Qty.	Descr.	Obs	From	UpTo
16	60994075	1	Temperature Sensor			
17	60994076	1	Marine Approved Pressure Transmitters			
18	60994073	1	Compact Pressure Switch			
19	56000083	1	Washer 21-26-1,5			
20	56000068	1	Washer 13,5-20-1,5			
21	56000069	1	Washer 14-20-1,5			



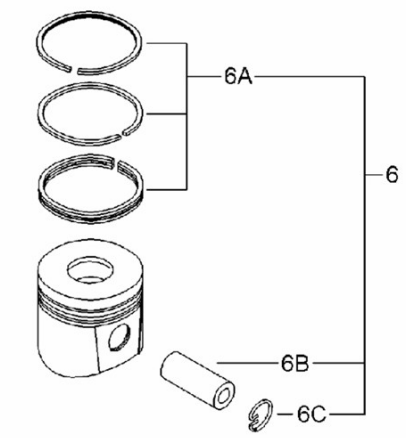
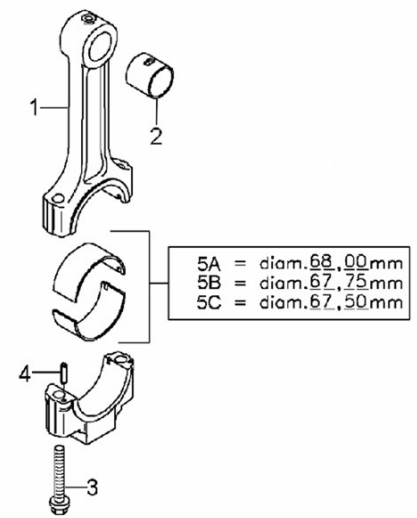
D\_SDZ109EGTDN\_01\_7 Flywheel Housing

Fig.	Ref.	Qty.	Descr.	Obs	From	UpTo
1	19420211G.1	1	Connection Housing			
2	19420204G	1	Bolt			
3	19420203	1	Bolt			
4	19420083	2	Bush			
5	19420213	1	Cover			
6	19420205	1	Cover			
7	19428054	7	Screw			
8	19420204	1	Bolt			
9	19420203G	3	Bolt			
10	60994078	1	Magnetic Speed Sensor			
11	52102155	2	Bolt DIN 933 M6-12 8.8			
12	19427188	1	Impulsetransmitter			
13	51030006	2	Washer DIN 125-6			



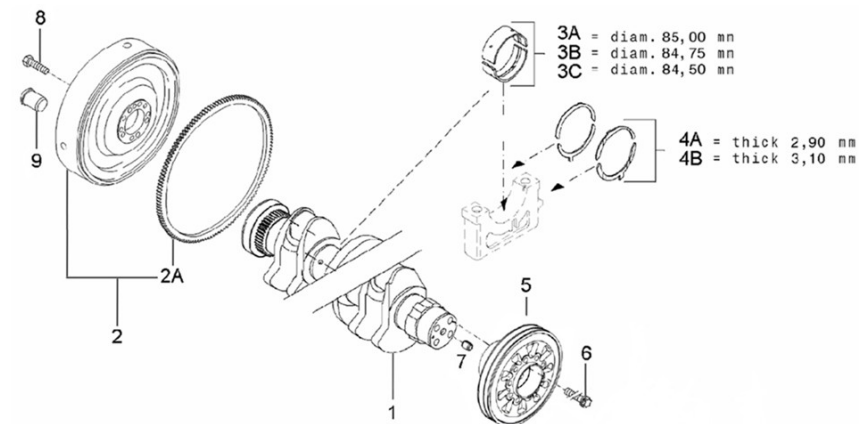
D\_GJ01\_1\_8 Piston & Connecting Rod

Fig.	Ref.	Qty.	Descr.	Obs	From	UpTo
1	19422012	4	Connecting Rod			
2	19422033	4	BIG END Bush			
3	19422013	8	Bolt,connecting rod			
4	19422009	8	ClampING Bush			
5A	19422014	4	BIG END Bearing Std.			
5B	19422015	0	BIG END Bearing -0,25	#		
5C	19422016	0	BIG END Bearing -0,50	#		
6	19422001	4	Piston			
6A	19422006	4	Set OF PIST. RingS			
6B	19422011.1	4	Piston Pin			
6C	19422010	8	CIRClip			

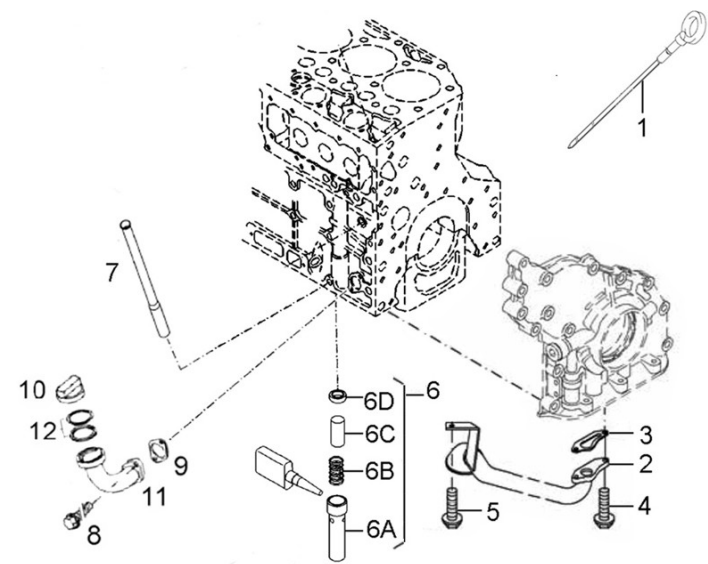


D\_GJ01\_1\_9 Crankshaft & Flywheel

Fig.	Ref.	Qty.	Descr.	Obs	From	UpTo
1A	19422018.1	1	CrankShaft			
1B	19422018	1	CrankShaft			
2	19422027G.1	1	Flywheel			
2A	19422029	1	Gear RIM			
3A	19420003	5	Bearing Set STD.			
3B	19420004	0	Bearing Set -0,25	#		
3C	19420005	0	Bearing Set -0,50	#		
4A	19420109	10	THRUST Washer Std.			
4B	19420105	10	THRUST Washer			
5	19422024G	1	Pulley CrankShaft			
6	19422026.1	4	HEXAGON Bolt			
7	19422036	1	ClampING Bush			
8	19422031G	9	HEXAGON Bolt			
9	19422037	4	Plug			



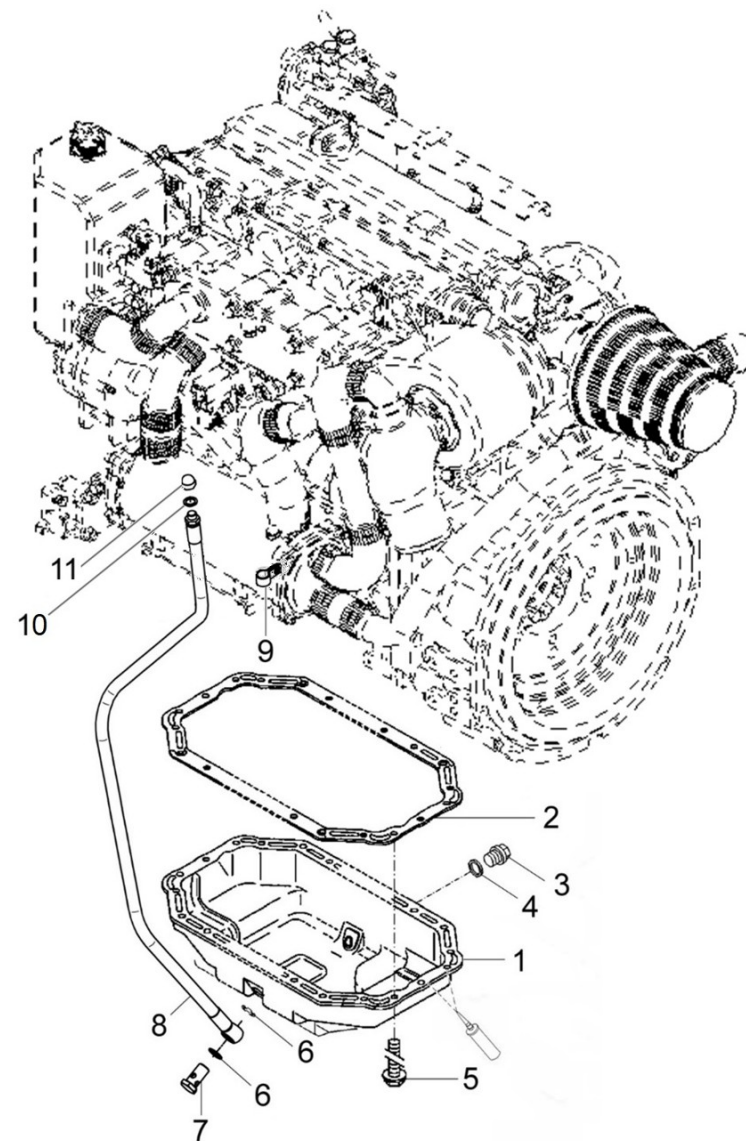
D_GJ01_1_10		Oil Sysem				
Fig.	Ref.	Qty.	Descr.	Obs	From	UpTo
1	19420029G	1	Gauge Oil LEVEL			
2	19424052.1	1	Oil SUCTION Pipe			04/12/2019
3	19424056.1	1	Gasket			
4	19424006	2	HEXAGON Bolt			
5	19420036	1	Screw			
6	19420040	1	Valve Assy			
6A	19420043	1	SLEEVE			
6B	19420041	1	COMPRESSION Spring			
6C	19420042	1	Valve Plunger			
6D	19420044	1	Ring			
7	19620027	1	Guide Tube			
8	19420163	2	Screw			
9	19421076	1	Gasket			
10	19421003	1	FILLER Cap			
11	19424016	1	Oil Filler Neck			
12	19424017	1	Repair Kit			



D\_GJ01\_1\_11

Oil Pan

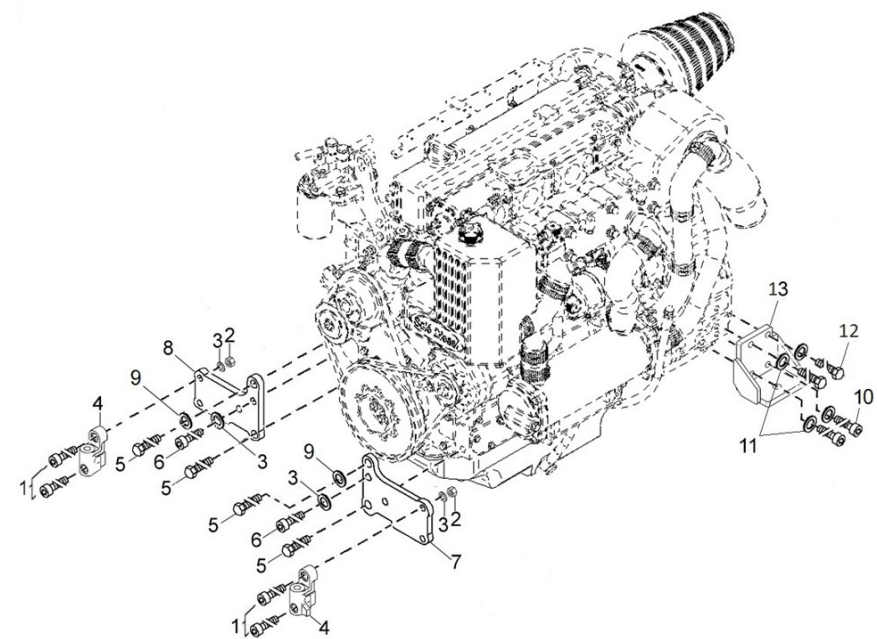
Fig.	Ref.	Qty.	Descr.	Obs	From	UpTo
1	19420030	1	Oil PAN			
2	19420033	1	Gasket			
3	19420031	1	Plug			
4	19420032.1	1	Gasket			
5	19420036	26	Screw			
6	56000077	2	Washer 18-23-1,5			
7	16514022	1	Coupling,screw 18x150			
8	19414021	1	Oil ExtraCTION Tube			
9	18014022	1	Bracket,pipe			
10	56000217	1	Washer 13-20-3			
11	16514020	1	Plug			





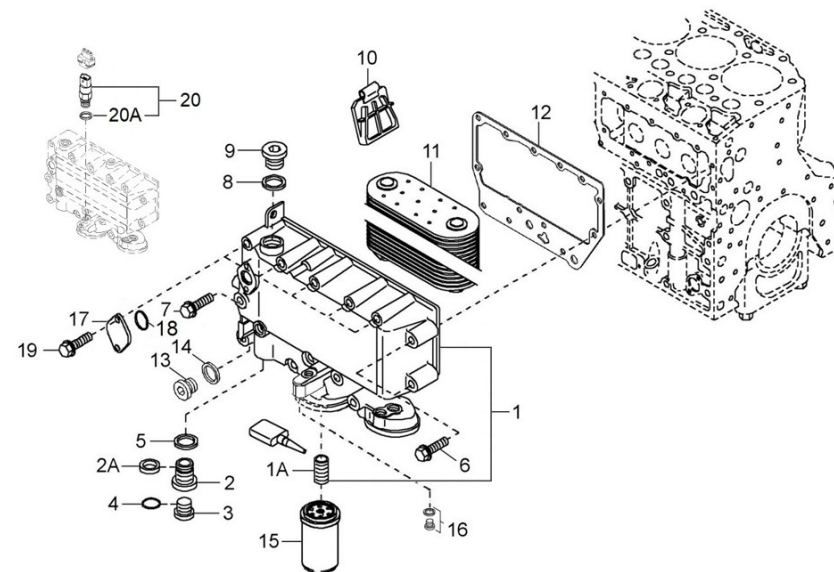
D\_GJ01\_1\_12 Engine Brackets

Fig.	Ref.	Qty.	Descr.	Obs	From	UpTo
1	52101365	4	Bolt DIN 931 M12-60 8.8 CINCADO			
2	52120012	4	Nut DIN 934 M12 8.8			
3	51030012	4	Washer DIN 125-12			
4	19427023	2	MOUNTING FOOT			
5	19427024	4	Bolt			
6	52103361	2	Bolt DIN 912 M12-40 8.8			
7	19427019	1	Bracket			
8	19427022	1	Bracket			
9	19427041	4	Plain Whasher			
10	52103359	4	Bolt DIN 912 M12-30 8.8			
11	53033012	8	Washer Grower DIN 127-12			
12	52102359	6	Bolt DIN 933 M12-30 8.8			
13	60594020	2	REAR Bracket, Genset V.			



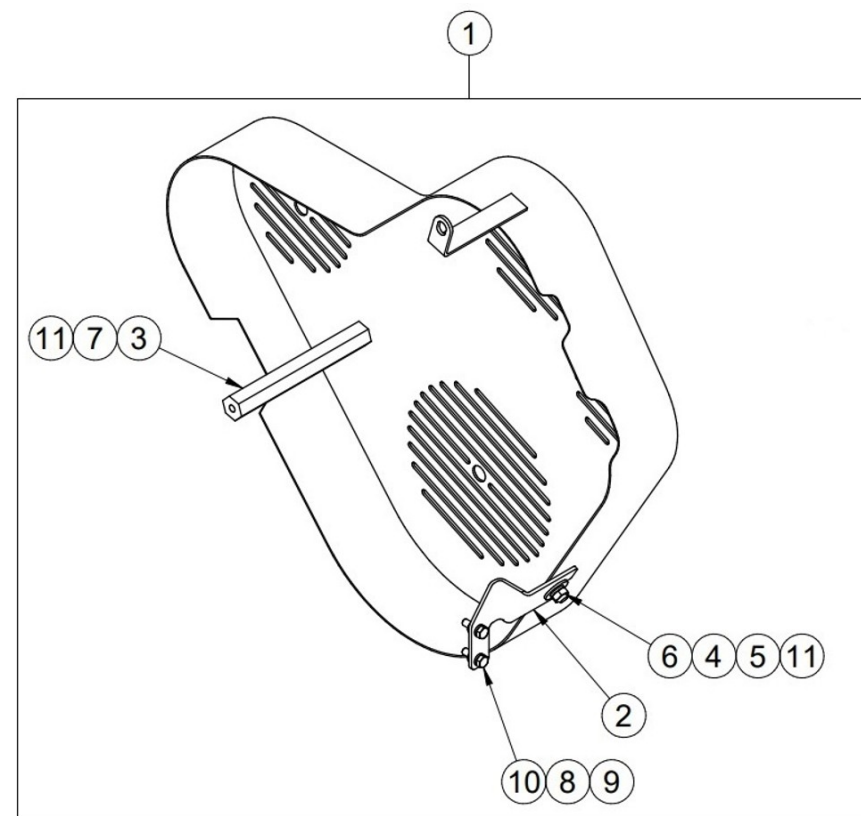
D\_SDZ109EGTDN\_01\_13 Cooler Assy,oil

Fig.	Ref.	Qty.	Descr.	Obs	From	UpTo
1	19422110	1	Oil Cooler Box			
1A	19422114	1	Bush			
2	19422111	1	COLLAR Screw			
2A	19422115	1	Sealing Ring			
3	19422112.1	1	Screw plug			
4	19422113	1	O-Ring			
5	19422118	1	Sealing Ring			
6	19422120	3	HEXAGON Bolt			
7	19422124	10	HEXAGON Bolt			
8	19421019	1	Sealing Ring			
9	19422125.1	1	Screw plug			
10	19422116	1	CORE Hole Plug			
11	19422117	1	Oil Cooler			
12	19424084	1	Gasket			
13	19424081.1	1	Screw plug			
14	19424082	1	Sealing Ring			
15	19424051	1	Oil Filter Element SDZ 165/205/280			
16	19424088.1	1	Screw plug			
17	19422123G	1	BLANK Flange			
18	19422121	1	O-Ring			
19	19420036	2	Screw			
20	19427193	1	Pressure Sensor			
20A	19421016	1	Sealing Ring			



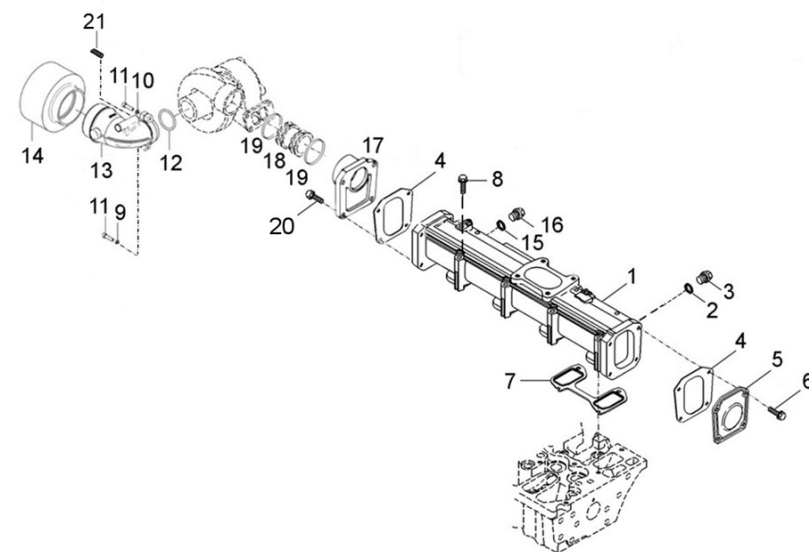
D\_SDZ109EGTDN\_01\_14 Drive Belt Guard for Genset without Canopy

Fig.	Ref.	Qty.	Descr.	Obs	From	UpTo
1	19410029R	1	Belt Guard			
2	19410029.2P	1	Fixation Proteccion Painted			
3	19410029.3P	1	Spacer M8x155			
4	51031008	1	Washer DIN 9021 8			
5	51030008	2	Washer DIN 125-8			
6	52120008	1	Nut DIN 934 M8 8.8			
7	52102256	1	Bolt DIN 933 M8-16 8.8			
8	17617006	2	Spacer 6,5X12X5			
9	53033006	2	Washer GROWER DIN 127-6			
10	52102157	2	Bolt DIN 933 M6-20 8.8			
11	53033008	2	Washer GROWER DIN 127-8			



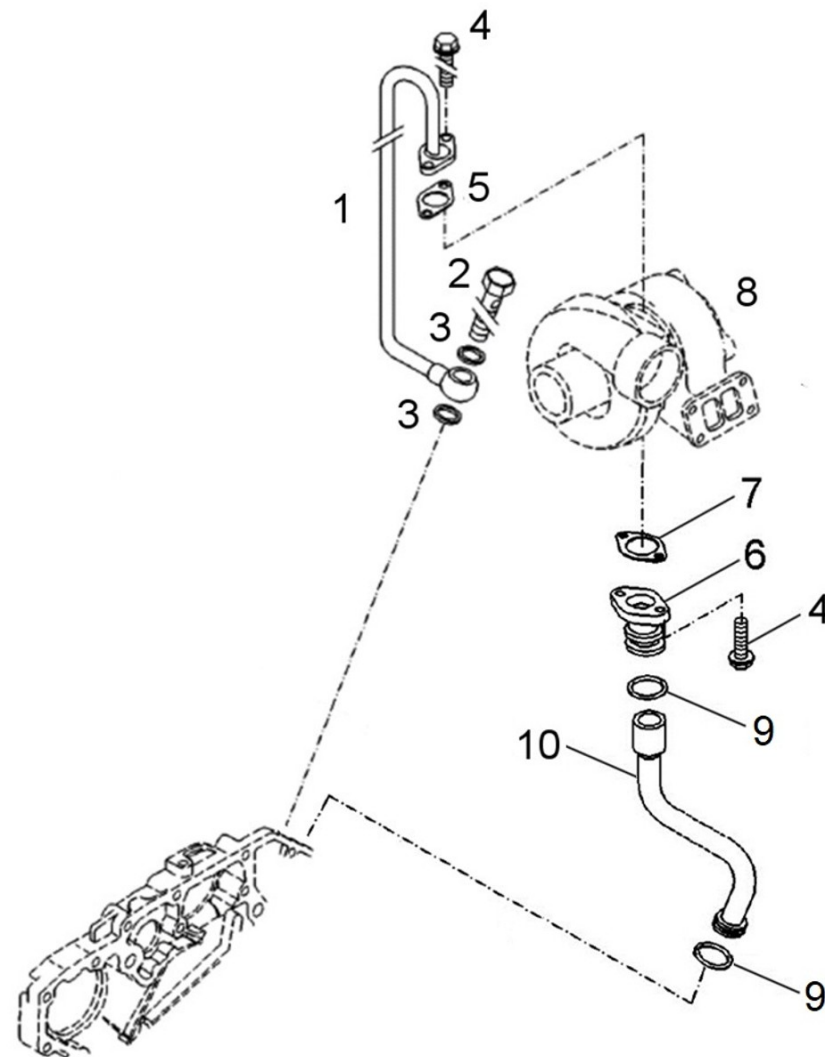
**D\_GJ01\_2\_1** **Inlet**

Fig.	Ref.	Qty.	Descr.	Obs	From	UpTo
1	19521080	1	CHARGE Air Pipe			
2	19420059G	1	Sealing Ring			
3	19420063	1	Screw Plug			
4	19421047	1	Gasket			
5	19421045	1	Cover			
6	19420036	4	Screw			
7	19421063	2	Gasket			
8	19421012	8	HEXAGON Bolt			
9	51030008	1	Washer DIN 125-8			
10	53038008	6	Washer DIN 6798-A 8			
11	52103259	2	Bolt DIN 912 M8-30 8.8			
12	19610019	1	O-Ring D. 62X5 VITON			
13	19410015	1	Bracket, Air Filter			
14	19410032	1	Air Filter			
15	19424087	1	Sealing Ring			
16	19421020G	1	Screw Plug			
17	19421050	1	Interm.Flange			
18	19421038	1	Plug			
19	19421039	2	O-Ring D. 40X6 VITON			
20	19424006	4	HEXAGON Bolt			
21	52114155	1	Bolt DIN 916 M6-12 8.8			



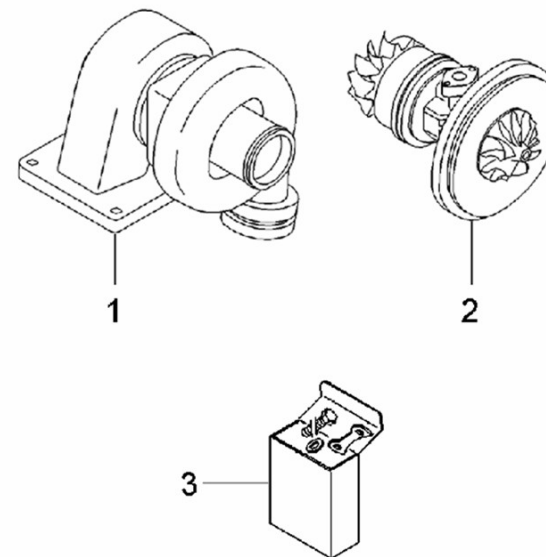
D\_GJ01\_2\_2 Turbocharger

Fig.	Ref.	Qty.	Descr.	Obs	From	UpTo
1	19424090G	1	LUBRICAT.Oil LINE			
2	19424067	1	Hollow screw			
3	19421016	2	Sealing Ring			
4	19420163	4	Screw			
5	19428041	1	Gasket			
6	19428011	1	Plug-in Flange			
7	19428062	1	Gasket			
9	19428063	2	Sealing Ring			
10	19428010	1	Retur Line			



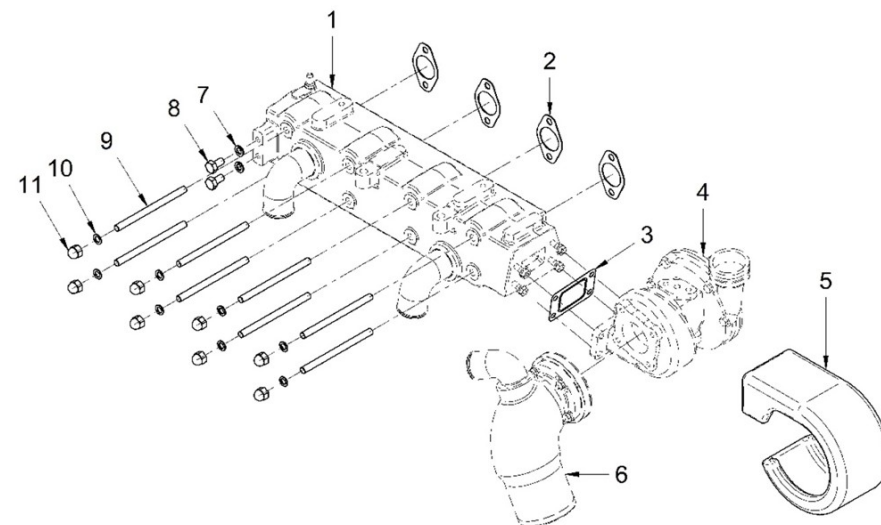
D\_GJ01\_2\_3 Spare Parts, Turbocharger

Fig.	Ref.	Qty.	Descr.	Obs	From	UpTo
1	19428012G.2	1	Turbocharger, Assy			
2	19428012.1G	1	CORE Assembly			
3	19428012K	1	REPAir Kit, TURBO			
NS	19428012.1.5	1	Clamp			



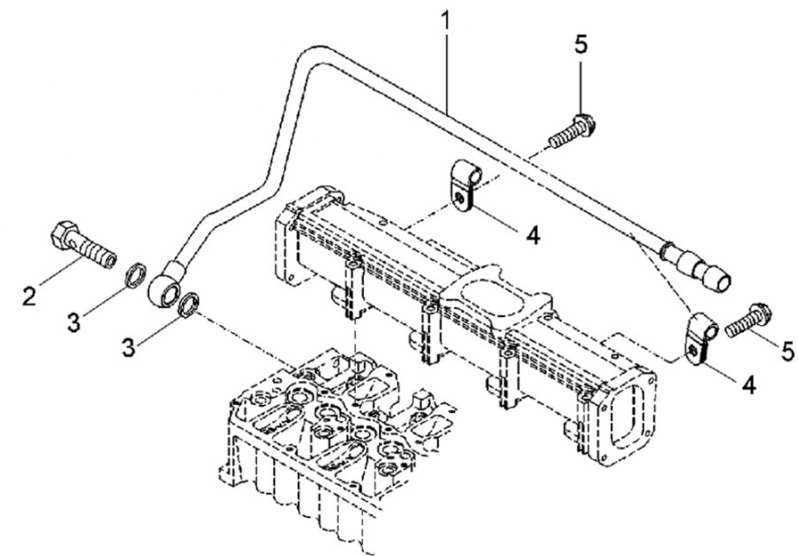
D\_SDZ109EGTDN\_02\_4 Manifold Assy,exhaust

Fig.	Ref.	Qty.	Descr.	Obs	From	UpTo
1	19413000	1	MANIFOld,Assy			
2	19421181.2	4	Gasket			
3	19421183.3	1	Gasket			
4	19428012G.2	1	Turbocharger, Assy			
5	19418011	1	HEAT SHIELD TURBO DNV			
6	19413016	1	Elbow, WET Exhaust			
7	53033010	2	Washer GROWER DIN 127-10			
8	52102307	2	Bolt DIN 933 M10-20 8.8			
9	19413002	8	Stud			
10	56000061	8	Washer 10-16-1,5			
11	13511013	8	Nut DIN 1587 M10			



**D\_GJ01\_2\_5 Breather Line**

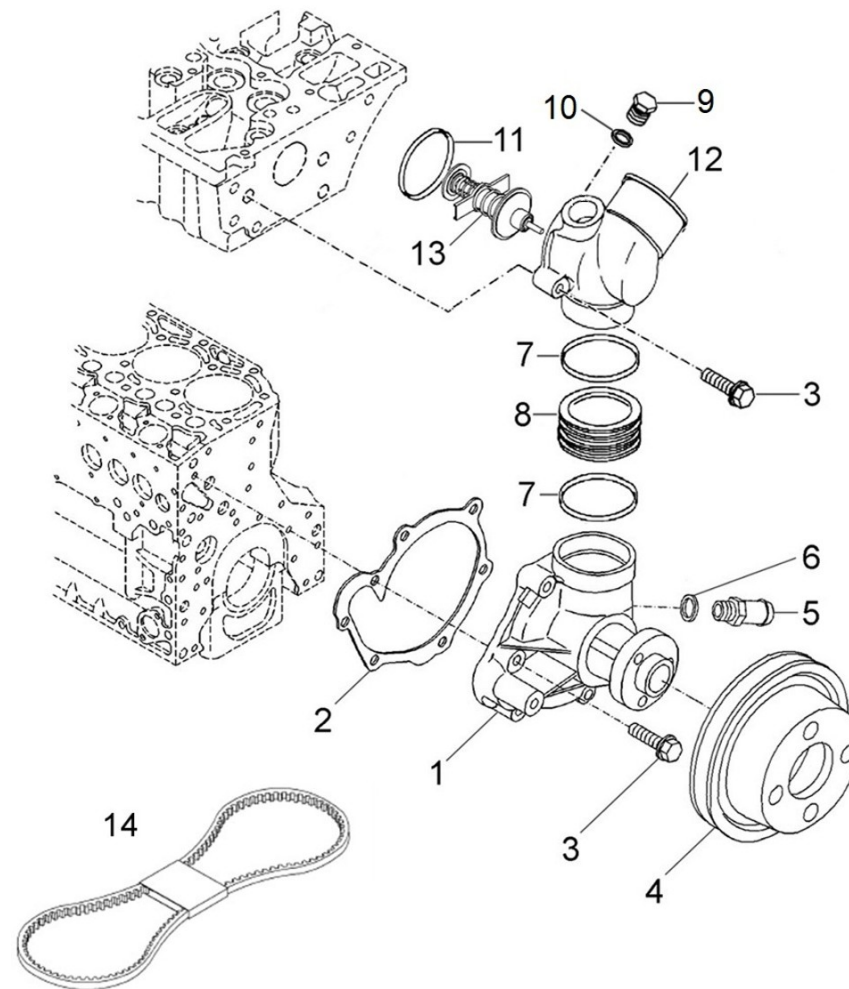
Fig.	Ref.	Qty.	Descr.	Obs	From	UpTo
1	19421090.2	1	Breather Line			28/02/2020
2	19421091.1	2	Screw			
3	19424091	2	Retention Valve			
4	19428055	2	Pipe Clamp			
5	19428054	2	Screw			





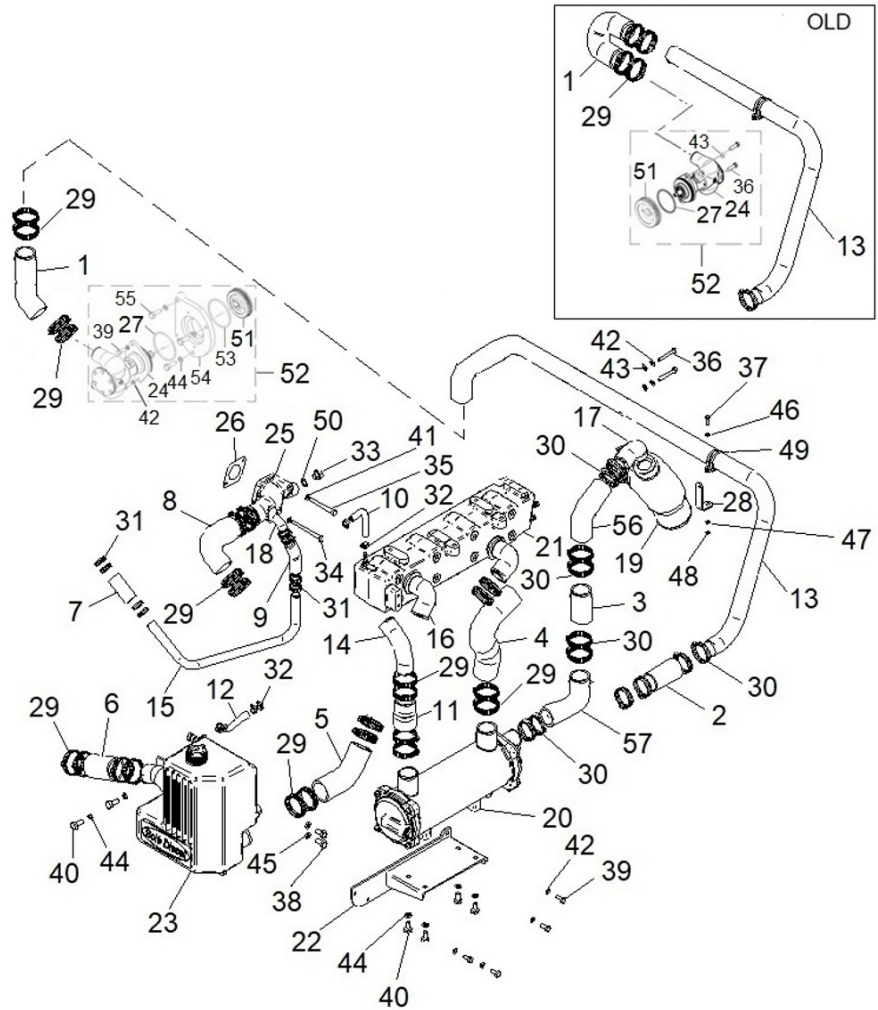
D\_SDZ109EGTDN\_03\_1 Water Pump

Fig.	Ref.	Qty.	Descr.	Obs	From	UpTo
1	19421006	1	Fresh Water Pump			
2	19421040	1	Flat Gasket			
3	19420027	9	Screw			
4	19421094	1	Pulley			
5	19421089	1	Hose Connector			
6	19424064	1	Sealing Ring			
7	19421044	2	O-Ring			
8	19421042	1	Plug			
9	19420165	1	VENT Plug			
10	57000361	1	Washer 10-14-1,5			
11	19421041	1	O-Ring			
12	19521093	1	Thermostat			
13	19521029	1	Thermostat			
14	17521028	1	Belt Type AX 45 1175			



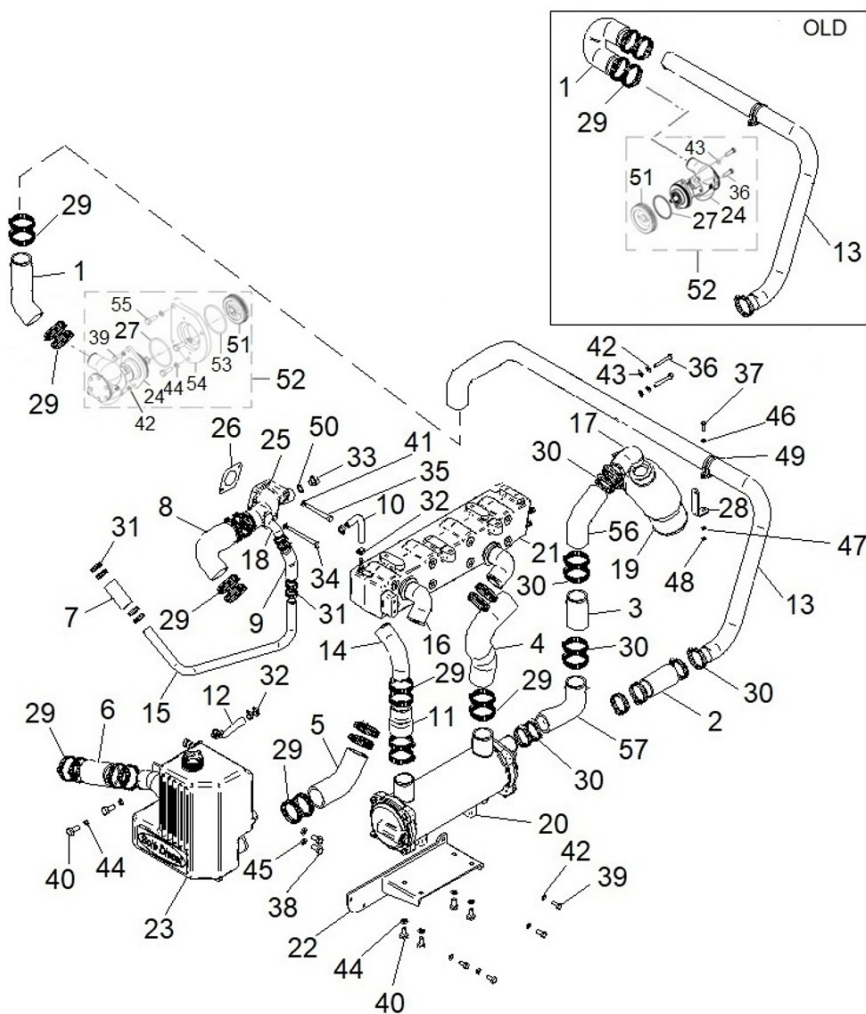
D\_SDZ109EGTDN\_03\_2 Cooler Pipes

Fig.	Ref.	Qty.	Descr.	Obs	From	UpTo
1	19411015	1	Elbow		16/02/2023	
1	19411065	1	Double Elbow Rubber D.42			16/02/2023
2	19411061	1	Rubber Hose D.42-52-90			
3	19411069	1	Oulet/Exh. Branch			
4	19411058	1	Rubber Hose D.45-50			
5	19411055	1	RUBBER ELBOW D.45-48			
6	19411064	1	Rubber Hose D.48-55-90			
7	19411063	1	Rubber Hose D.22-32-70			
8	19411057	1	Rubber Elbow D.42-50			
9	19411056	1	RUBBER ELBOW D.20			
10	19411041	1	Purge Hose			
11	19411059	1	Rubber Hose D.42-50			
12	19411042	1	Hose			
13	19411053.1	1	Pump Pipe D.42			16/02/2023
13	19411095	1	Brass Pump Pipe D.42 SDZ109		16/02/2023	
14	19411068	1	Tube			
15	19411072	1	PIPE D.22			
16	19111015	2	Elbow 90° 1 1/2"			
17	16511009	1	Elbow			
18	13211027	1	Water Inlet Bend			
19	19413016	1	Elbow, WET Exhaust			
20	19411000R	1	Water Cooler Assy SDZ-165/205/280			
21	19413000	1	MANIFOld,Assy			
22	19411014G	1	Refrigerator Support			
23	19411074	1	EXPANSIONTANK			
24	39411000	1	Key Pump SDZ-165/205/280 Gr-109/165			
25	19411011	1	Cooler Water Inlet BEND			
26	19411010	1	Gasket			
27	19420221	1	O-Ring D. 82X4 VITON			
28	19411052.1	1	Pump Hose Bracket			
29	54082040	26	Clamp DIN 3017 40-60/12 W4			



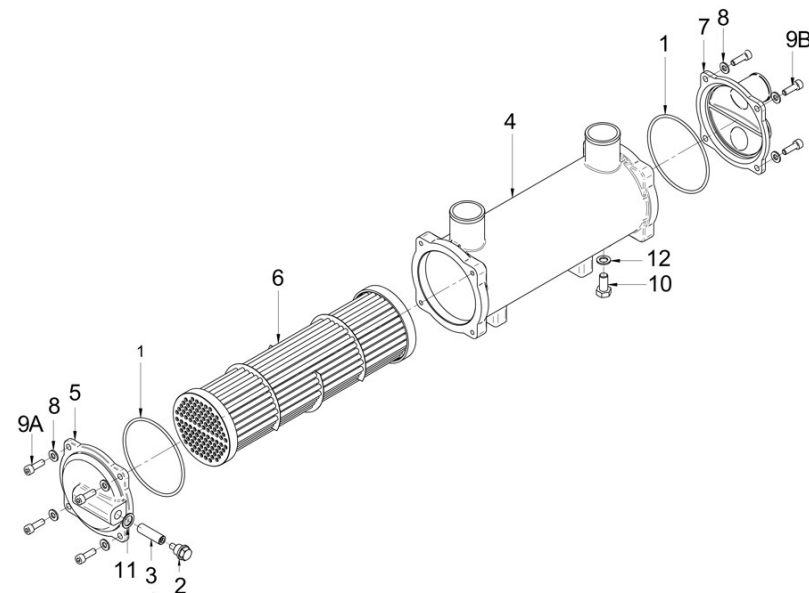
D\_SDZ109EGTDN\_03\_2 Cooler Pipes

Fig.	Ref.	Qty.	Descr.	Obs	From	UpTo
30	54082032	8	Clamp DIN 3017 32-50/12 W4			
31	54081020	8	Clamp DIN 3017 20-32/9 W4			
32	54081008	5	Clamp DIN 3017 8-16 W4			
33	12111076	1	Plug			
34	52101273	1	Bolt DIN 931 M8-100 8.8			
35	52101269	1	Bolt DIN 931 M8-80 8.8			
36	52101266	4	Bolt DIN 931 M8-65 8.8			
37	52102157	1	Bolt DIN 933 M6-20 8.8			
38	52102308	2	Bolt DIN 933 M10-25 8.8			
39	52102257	6	Bolt DIN 933 M8-20 8.8			
40	52102307	6	Bolt DIN 933 M10-20 8.8			
41	53038008	2	Washer DIN 6798-A 8			
42	53033008	8	Washer GROWER DIN 127-8			
43	51030008	4	Washer DIN 125-8			
44	53033010	9	Washer GROWER DIN 127-10			
45	53038010	2	Washer DIN 6798-A 10			
46	51030006	1	Washer DIN 125-6			
47	53033006	1	Washer GROWER DIN 127-6			
48	52120006	1	Nut DIN 934 M6 8.8			
49	59071452	1	Clamp 1 42/15 W1			
50	56000073	1	Copper Washer 16-23-1,5			
51	19421124	1	Toothed Gear			
52	39411000A19	1	Key Pump SDZ-165/205/280 GR-109/165, KIT			15/02/2023
52	39411000A22	1	KEY PUMP SDZ-165/205/280 GR-109/165 (2022), Kit		16/02/2023	
53	19610021	1	O-Ring D. 90X4 VITON			
54	19610060	1	Pump Adaptor			
55	52102309	3	Bolt DIN 933 M10-30 8.8			
56	19411062	1	RUBBER ELBOW D.42			
57	17411013	1	Thermostat Water Outlet Elbow			



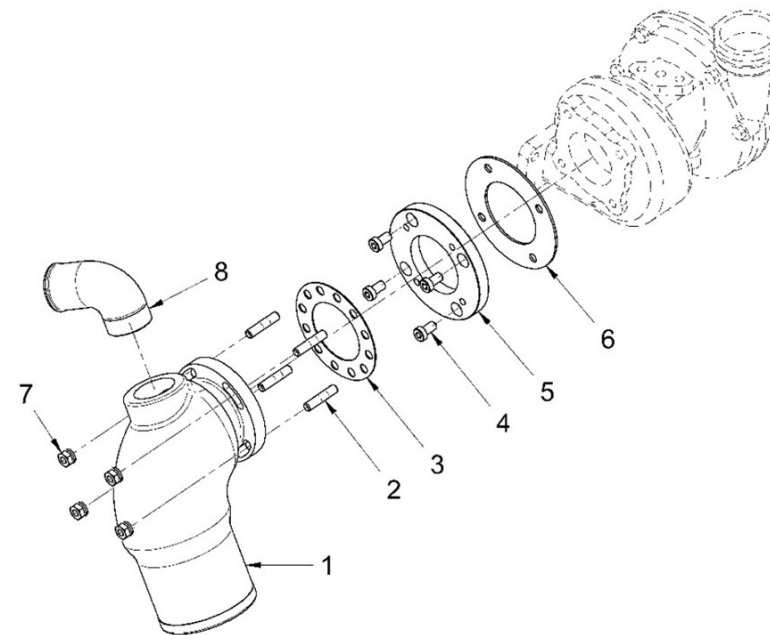
19411000 Water Cooler Assy SDZ-165/205/280

Fig.	Ref.	Qty.	Descr.	Obs	From	UpTo
1	16711007	2	O-Ring D. 116X4			
2	18011009	1	Anode Plug			
3	18011031	1	Engine Anode 45 mm M.8			
4	19411001	1	Body, Water Cooler			
5	19411003	1	Water Cooler Cover			
6	19411004	1	Tubular Bundle			
7	19411006	1	Water Cooler Cover			
8	51030008	8	Washer DIN 125-8			
9A	52103257	7	Bolt DIN 912 M8-20 8.8			
9B	52103258	1	Bolt DIN 912 M8-25 8.8			
10	54102356	1	Bolt DIN 933 M12-16 INOX.			
11	56000073	1	Copper Washer 16-23-1,5			
12	56000115	1	Washer 12-20-2			



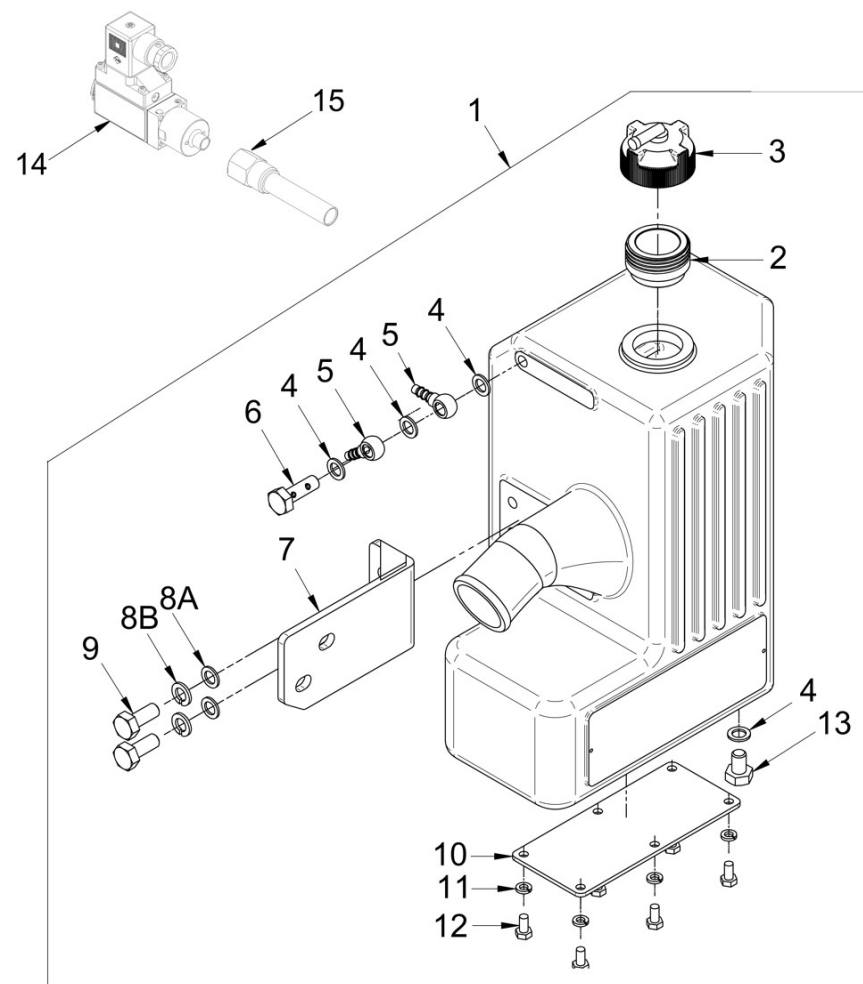
D\_GJ01\_3\_3 Wet Exhaust

Fig.	Ref.	Qty.	Descr.	Obs	From	UpTo
1	19413016	1	Elbow, WET Exhaust			
2	19411028	4	Stud			
3	16513016	1	Exhaust Elbow Gasket			
4	52103256	4	Bolt DIN 912 M8-16 8.8			
5	19413014	1	Adaptor			
6	19413013	1	Gasket			
7	51125008	4	Nut Exhaust			
8	16511009	1	Elbow			



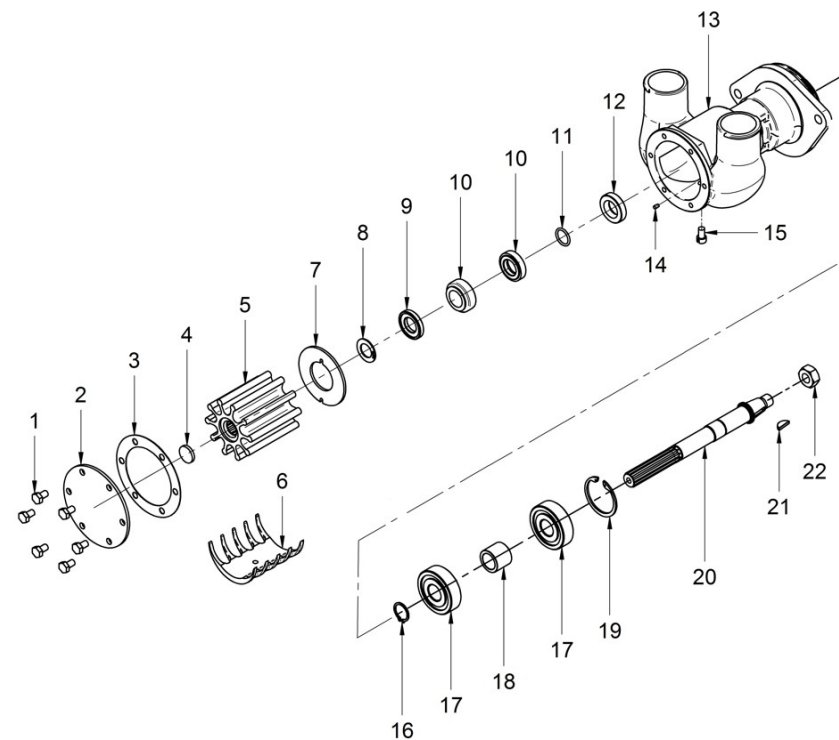
D\_SDZ109EGTDN\_03\_5 Expansion Tank

Fig.	Ref.	Qty.	Descr.	Obs	From	UpTo
1	19411074	1	EXPANSIONTANK			
2	17411004	1	Adapter, MTA Cap			
3	13811010	1	Cap			
4	56000061	4	Washer 10-16-1,5			
5	17614016	2	COLLAR,Union			
6	19411040	1	1/8" GAS HOLLOW Screw			
7	19411009.2	1	Bracket			
8A	51030010	2	Washer DIN 125-10			
8B	53033010	2	Washer GROWER DIN 127-10			
9	52102307	2	Bolt DIN 933 M10-20 8.8			
10	18211002	1	Cover			
11	53033006	6	Washer GROWER DIN 127-6			
12	52102155	6	Bolt DIN 933 M6-12 8.8			
13	52102306	1	Bolt DIN 933 M10-15 8.8			
14	60994074	1	Thermostat			
15	60994077	1	Sensor Pocket for Temperature Switch			



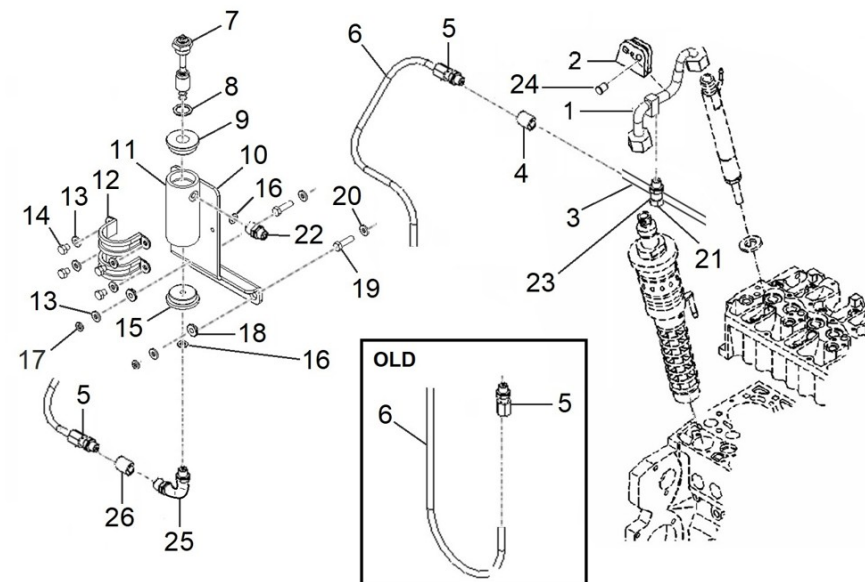
39411000 Key Pump SDZ-165/205/280 Gr-109/165

Fig.	Ref.	Qty.	Descr.	Obs	From	UpTo
1	54102154	6	Bolt DIN 933 M6-10 INOX			
2	34711002	1	Cover Pump			
3	34711003	1	Gasket Cover			
4	34711041	1	Impeller Plug			
5	39411008	1	1" L.68 Impeller			
6	39411005	1	Cam			
7	34711026	1	Plate,Friction			
8	54040016	1	CIRClip E-16			
9	36511018	1	Washer,seal			
10	36511019	1	Seal			
11	33311013	1	O-Ring D. 15X2			
12	36511020	1	Seal 16-30-7			
13	39411001	1	Body,Water Pump			
14	36511017	1	Pin,Dowel			
15	54108154	1	Bolt DIN 84 M6-10			
16	53040017	1	Circlip DIN 471 E-17			
17	18017083	2	Ball Bearing 6303-RDD			
18	39411015	1	Separator Bearings			
19	53041047	1	CIRClip DIN 472 I-47			
20	39411010	1	Shaft			
21	35111035	1	KEY DIN 6888 3-6,5-16 INOX			
22	54121012	1	Nut DIN 439 M12			



D\_SDZ109EGTDN\_04\_1 Fuel Pipe And Fuel Leak Alarm

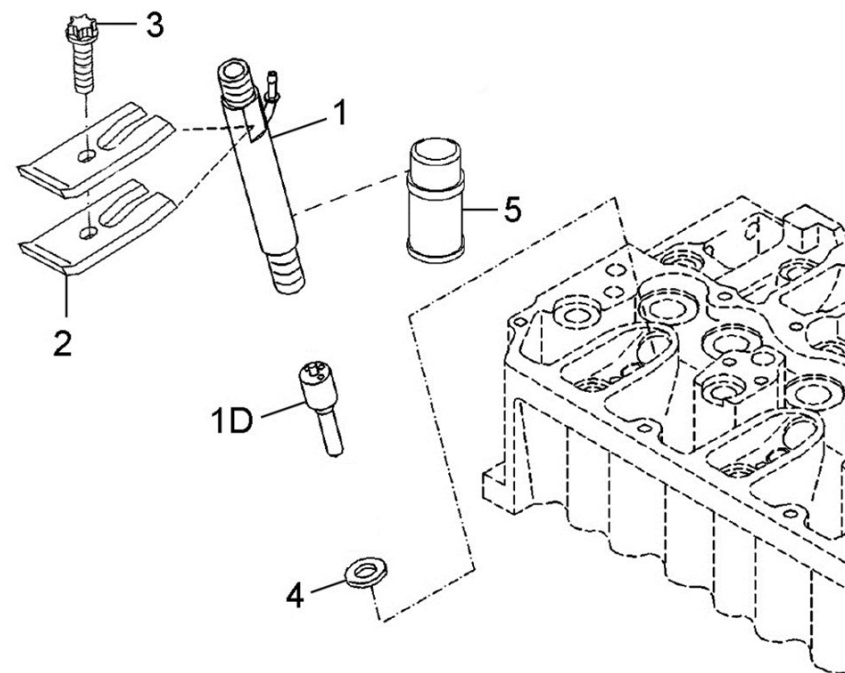
Fig.	Ref.	Qty.	Descr.	Obs	From	UpTo
1	19524015RC	4	Double-sheathed Injection Tube			
2	19421018	4	Rubber Seal			
3	19424015R	1	Pipe			
4	19414029.1	1	Pipe 1/8-28 a 1/8NPT			
5	19414028	2	P-GEV 6LR 1/8			
6	19414038	1	Fuel Leak Pipe			
7	17517017.1	1	Fuel Leak Switch 24V			
8	56000086	1	Washer 22,3-29-1,5			
9	17517009.3	1	Cover, Upper			
10	19417009.5B	1	FUEL-LEAK BRACKET			
11	17517009.2	1	Tube			
12	59072482	2	Clamp 2 48/20 W1			
13	51030008	6	Washer DIN 125-8			
14	52102254	4	Bolt DIN 933 M8-10 8.8			
15	17517009.4	1	Lower cover			
16	56000061	2	Washer 10-16-1,5			
17	53033008	2	Washer GROWER DIN 127-8			
18	19417015	2	Bush			
19	52102257	2	Bolt DIN 933 M8-20 8.8			
20	19417039	2	Bakelite Bushing			
21	13114007	4	Banjo Short Bolt			
22	19414032	1	FITTING 1/8 - 3/8			
23	56000057	8	Washer 8-13-1,5			
24	19424068	4	Plug			
25	17712007	1	Elbow 1/8" GAS		02/08/2023	
26	17A14029	1	1/8-28 To M10 Threat Adaptator		02/08/2023	
NS	19424101	1	Spray stop kit			





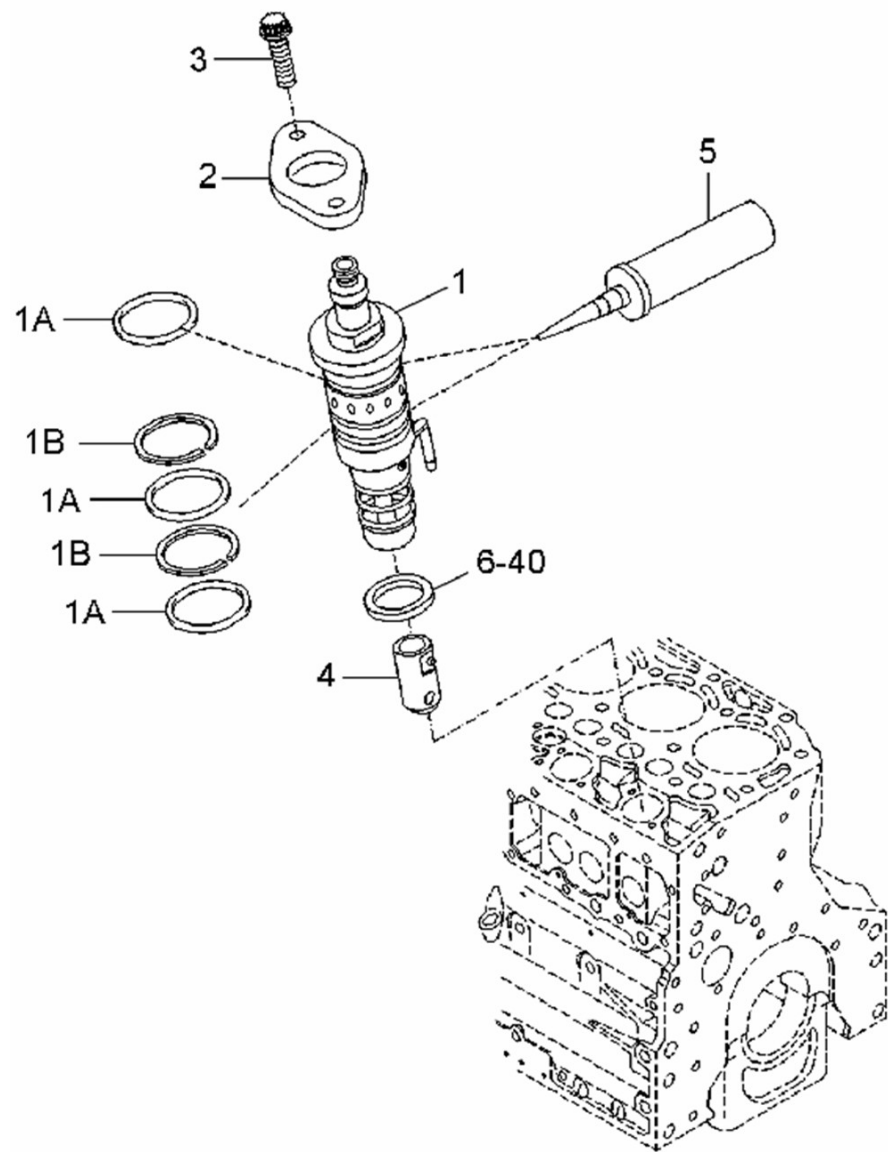
D\_GJ01\_4\_2 Injection Nozzle

Fig.	Ref.	Qty.	Descr.	Obs	From	UpTo
1	19426001G	4	Fuel Injector			
1D	19426018G.1	4	Nozzle Element			
2	19426010	8	Flange			
3	19426011	4	Bolt			
4	19426012	4	Sealing Ring			
5	19426013	4	ANTI-RUST AGENT			



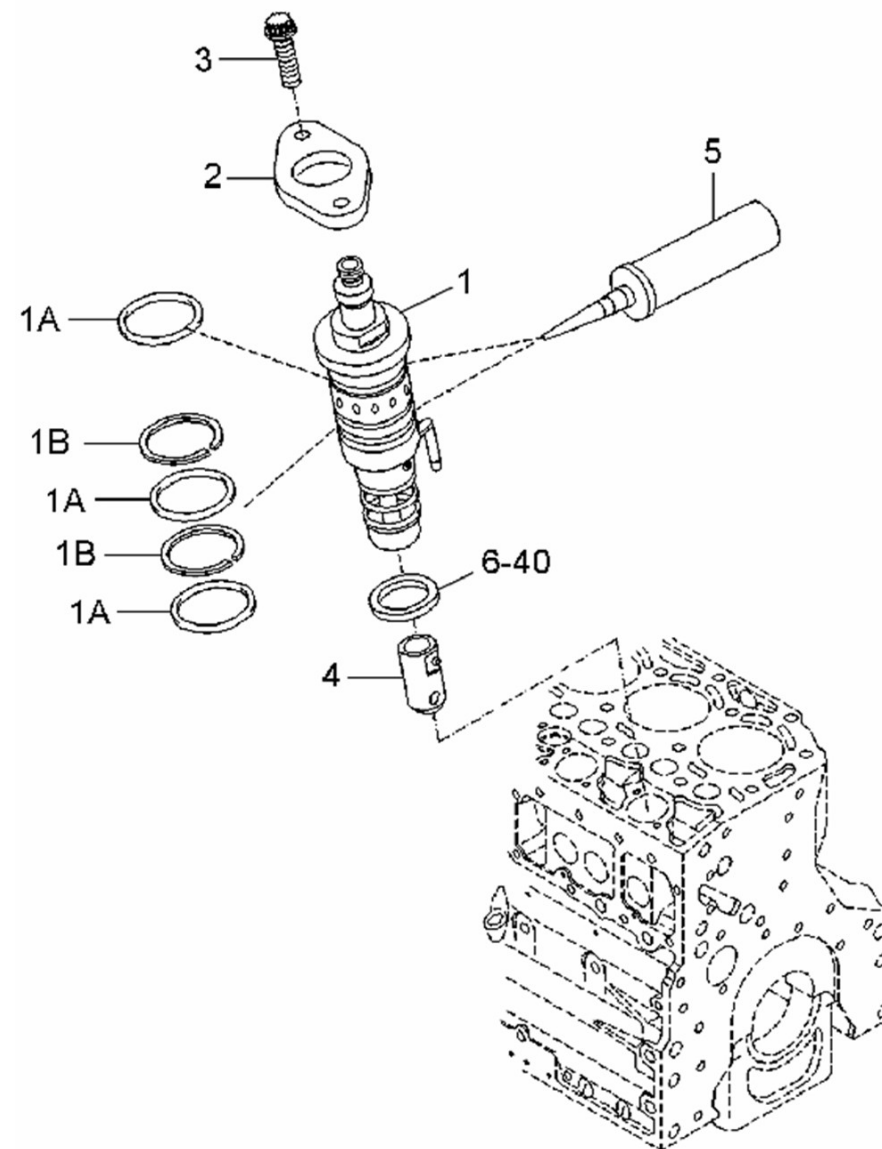
**D\_GJ01\_4\_3 Fuel Injection Pump**

Fig.	Ref.	Qty.	Descr.	Obs	From	UpTo
1	19425001G	4	Pump Assy,Fuel Injection			
1A	19425002	12	O-Ring D. 40X3,5			
1B	19425003	8	Shim			
2	19420110	4	Flange			
3	19420111	8	COLLAR Screw			
4	19420090	4	Roller Tappet			
5	19420113	1	Lubricant			
6	19420112	0	Washer 1,0mm	#		
7	19420114	0	Washer 1,1mm	#		
8	19420115	0	Washer 1,2mm	#		
9	19420116	0	Washer 1,3mm	#		
10	19420117	0	Washer 1,4mm	#		
11	19420118	0	Washer 1,5mm	#		
12	19420119	0	Washer 1,6mm	#		
13	19420120	0	Washer 1,7mm	#		
14	19420121	0	Washer 1,8mm	#		
15	19420122	0	Washer 1,9mm	#		
16	19420123	0	Washer 2,0mm	#		
17	19420124	0	Washer 2,1mm	#		
18	19420125	0	Washer 2,2mm	#		
19	19420126	0	Washer 2,3mm	#		
20	19420127	0	Washer 2,4mm	#		
21	19420128	0	Washer 2,5mm	#		
22	19420129	0	Washer 2,6mm	#		
23	19420130	0	Washer 2,7mm	#		
24	19420131	0	Washer 2,8mm	#		
25	19420132	0	Washer 2,9mm	#		
26	19420133	0	Washer 3,0mm	#		
27	19420134	0	Washer 3,1mm	#		
28	19420135	0	Washer 3,2mm	#		
29	19420136	0	Washer 3,3mm	#		



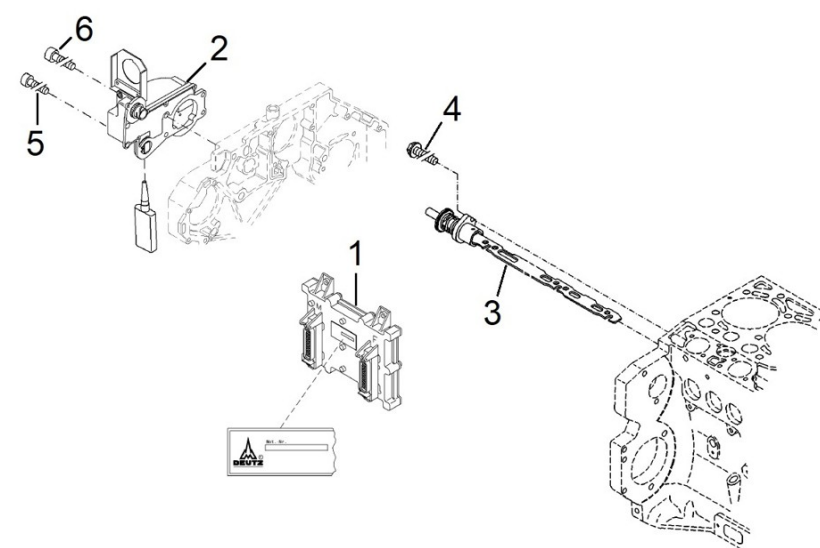
D\_GJ01\_4\_3 Fuel Injection Pump

Fig.	Ref.	Qty.	Descr.	Obs	From	UpTo
30	19420137	0	Washer 3,4mm	#		
31	19420138	0	Washer 3,5mm	#		
32	19420139	0	Washer 3,6mm	#		
33	19420140	0	Washer 3,7mm	#		
34	19420141	0	Washer 3,8mm	#		
35	19420142	0	Washer 3,9mm	#		
36	19420143	0	Washer 4,0mm	#		
37	19420144	0	Washer 4,1mm	#		
38	19420145	0	Washer 4,2mm	#		
39	19420146	0	Washer 4,3mm	#		
40	19420147	0	Washer 4,4mm	#		



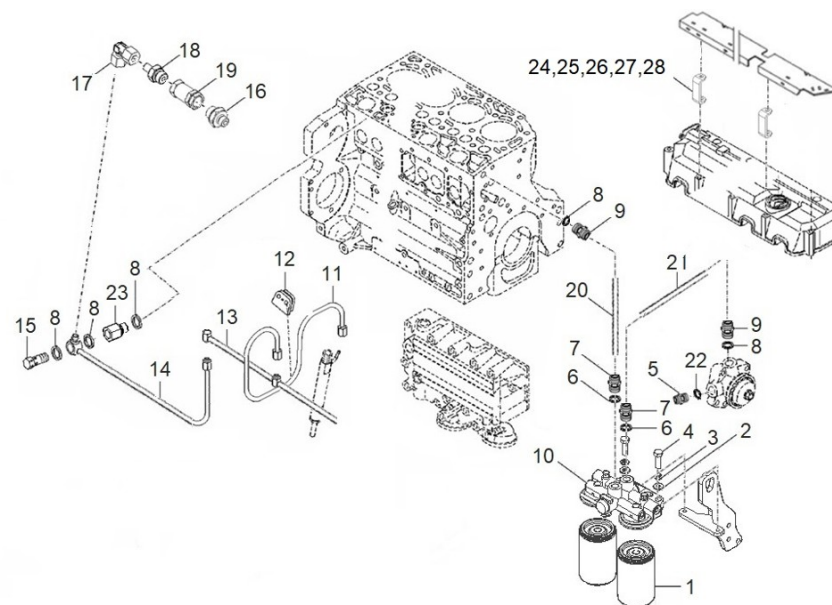
D\_SDZ109EGTDN\_04\_4 Regulator

Fig.	Ref.	Qty.	Descr.	Obs	From	UpTo
1	19423019	1	ECU Group SDZ-109E EMR			
2	19427190	1	Actuator			
3	19423025	1	Control ROD			
4	19423026	1	HEXAGON Bolt			
5	19427154.1	3	Cheese head screw			
6	19427153.1	2	Cheese head screw			



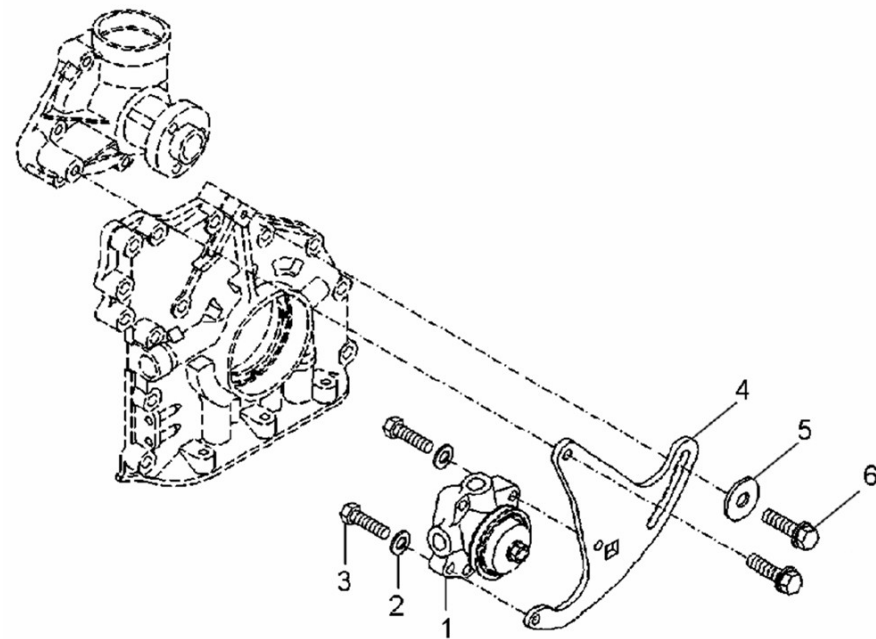
D\_SDZ109EGTDN\_04\_5 Fuel Supply Parts

Fig.	Ref.	Qty.	Descr.	Obs	From	UpTo
1	19424022	2	Fuel Filter Element SDZ-165/205/280			
2	51030010	2	Washer DIN 125-10			
3	53033010	2	Washer GROWER DIN 127-10			
4	52102310	2	Bolt DIN 933 M10-35 8.8			
5	19414023	1	Racord Fitting M-M 3/8"-M16x150			
6	57000378	2	Washer 18-24-1,5			
7	19414039	2	Racor Fitting Male M18x150-M20x150			
8	56000069	5	Washer 14-20-1,5			
9	19414024	2	Fitting Adapter Male 3/8" to M14x1.5			
10	17414002	1	Bracket			
11	19424070	4	Pipe Fuel			
12	19421018	4	Rubber Seal			
13	19424071	1	Pipe Fuel			
14	19424073	1	Pipe Fuel			
15	19424053	1	Valve Assy			
16	19414035	1	Conversion Adapter 3/8 - 1/2			
17	19414027	1	P-EWV-12L			
18	19414033	1	ELM 12/8 L 2500			
19	19414034	1	VALVE WITH ONE-WAY FITTING 1/2 H-H			
20	19414008	1	Fuel hose			
21	19414009	1	Fuel hose			
22	56000073	1	Copper Washer 16-23-1,5			
23	19424054	1	DISTANCE PIECE			
24	19417033	2	SPACER			
25	52102156	2	Bolt DIN 933 M6-16 8.8			
26	52120006	2	Nut DIN 934 M6 8.8			
27	53033006	2	Washer GROWER DIN 127-6			
28	51030006	2	Washer DIN 125-6			
NS	19424101	1	Spray stop kit			



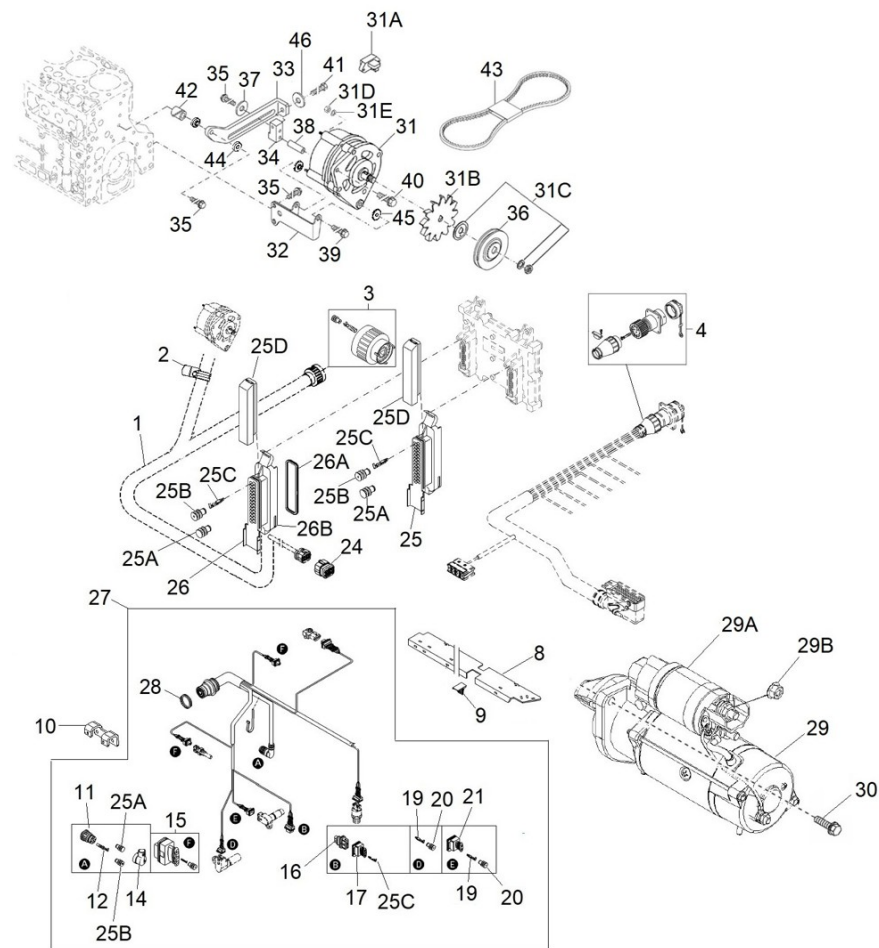
D\_GJ01\_4\_6 Feed Pump

Fig.	Ref.	Qty.	Descr.	Obs	From	UpTo
1	19424040G	1	Fuel Pump			
2	19424043	2	Spring Washer			
3	52103258	2	Bolt DIN 912 M8-25 8.8			
4	19424041.1	1	Clamping Strap			
5	19424047.1	1	Plain Washer			
6	19424006	2	HEXAGON Bolt			



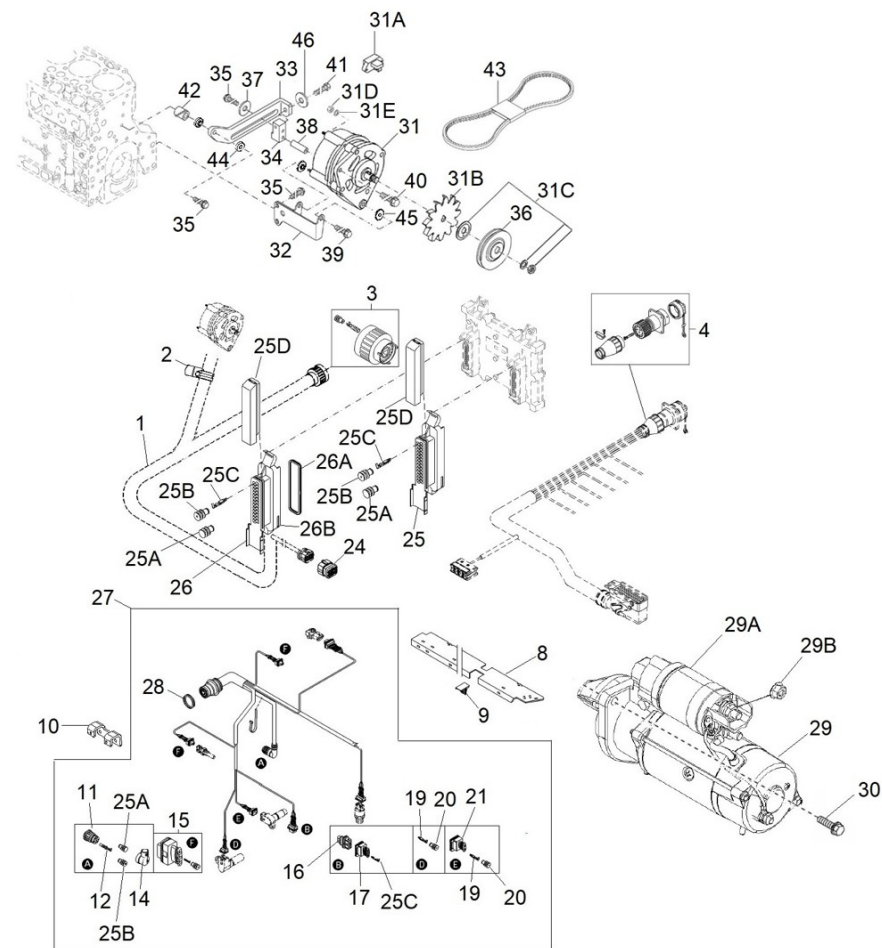
D\_SDZ109EGTDN\_05\_1 24V Electrical System

Fig.	Ref.	Qty.	Descr.	Obs	From	UpTo
1	60994214	1	SDZ-109/165 DNV marine genset aux. elect. inst.			
2	13817011	1	Bracket			
3	19427195	1	Plug-in Connector			
4	19427152	1	Plug-in Connector			
8	19427185	1	Cover Plate			
9	19427186	1	Cable Clamp			
10	19417018	1	Electrical Wiring Bracket			
11	19427181	1	Receptacle Housing			
12	19427182	5	Jack			
14	19427183	1	Snood			
15	19427179	2	Plug-in Connector			
16	19427180	1	Plug Housing			
17	19427178	1	Housing			
19	19427175	4	Jack			
20	19427176	7	Gasket			
21	19427184	1	Housing			
24	19427194	1	Plug-in Connector			
25	19427151	1	Plug-in Connector			
25A	19427169	39	Plug			
25B	19427168	47	Gasket			
25C	19427170	45	Jack			
25D	19427167	2	Housing Cover			
26	19427197	1	Plug-in Connector			
26A	19427199	1	Rubber Gasket			
26B	19427198	1	Bearing Housing			
27	19427174	1	Cable Harness			
28	19427177	1	Circlip			
29	19427045	1	Starter			
29A	19427106G	1	SWITCH Assy			
29B	19620046	1	Hexagon Nut			
30	19427020.1	3	Bolt			



D\_SDZ109EGTDN\_05\_1 24V Electrical System

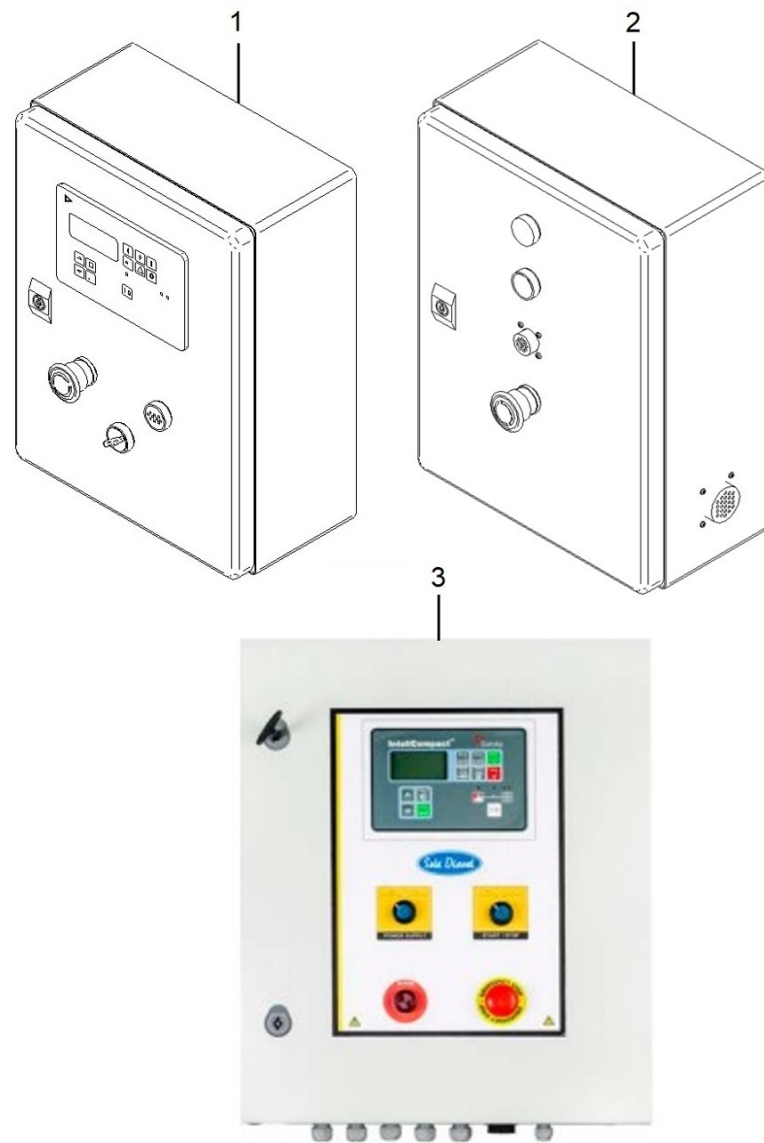
Fig.	Ref.	Qty.	Descr.	Obs	From	UpTo
31	19427010GB	1	Alternator 24V/35A			
31A	19427016G.2	1	Volatge Regulator			
31B	19427015.2	1	Fan			
31C	19427018.1	1	Fastenings			
31D	51123006	1	Nut DIN 985 M6 5.6			
31E	53033006	1	Washer GROWER DIN 127-6			
32	19427002G.1	1	Bracket, Alternator			
33	19427007G.1	1	Plate			
34	19427008G.1	1	Threaded Piece			
35	19424006	4	HEXAGON Bolt			
36	19427052G.2	1	Pulley			
37	19424047.1	1	Plain Washer			
38	19427026	1	Bush			
39	19422053	1	HEXAGON Bolt			
40	19428006	1	Screw			
41	19427013.1	1	Hexagon bolt			
42	17217005	1	Spacer 8,5X25X8,5			
43	17017025	1	Belt Type SPZX 1012			
44	17117012	2	Tensor Bakelite Bushing			
45	19417011	2	Bracket Bakelite Bushing			
46	19428007.1	1	Plain washer			
NS	58018160	1	Screw			
NS	60900152	1	Wire			
NS	60900155	1	Wire			
NS	60900289	1	Wire			
NS	60900956	2	10k ohm Resistor			





D\_SDZ109EGTDN\_05\_2 Control Cabinets

Fig.	Ref.	Qty.	Descr.	Obs	From	UpTo
1	60994215	1	CO 40 SDZ-109/165 DNV box			
2	60994223	1	Parallel prep. ECU SDZ-109/165 DNV box			
3	60994759	1	Parallel Kit 85 GT 400/230V TAC Control and Power 24			



D\_SDZ109EGTDN\_05\_3 Genset Extension TAC

Fig.	Ref.	Qty.	Descr.	Obs	From	UpTo
1A	60994217	1	Genset Wiring Ext. SDZ-109/165 TA 6 M.			
1B	60994218	1	Genset Wiring Ext. SDZ-109/165 TA 12 M.			
1C	60994219	1	Genset Wiring Ext. SDZ-109/165 TA 24 M.			
1D	60974552	1	3-way Wiring Wxtension for Auxiliary Kits 4 m			
1E	60900165	1	3-way Wiring Extension for Auxiliary Kits 6 m			
1F	60900166	1	3-way Wiring Extension for Auxiliary Kits 12 m			
1G	60900167	1	3-way Wiring Extension for Auxiliary Kits 24 m			
1H	60972104	1	Double Panel SCO 12 M. Harness			
1I	60972105	1	Double Panel SCO 24 M. Harness			
1J	60972110	1	Double Panel SCO 36 M. Harness			
1K	60972145	1	Double Panel SCO 45 M. Harness			
1L	60994503	1	Communication Cable			
1M	60994522	1	6 m boxes communication cable			
1N	60994521	1	12 M. Wire, Comm. Between Cabinets			



# Genset 85 GT/GTC & 100 GTA/GTAC Type Approval Certificate **Genset Alternator Spare Parts**

## D\_SDZ109EGTST\_06\_1 Alternator 85 GT/GTC & 100 GTA/GTAC Parallel

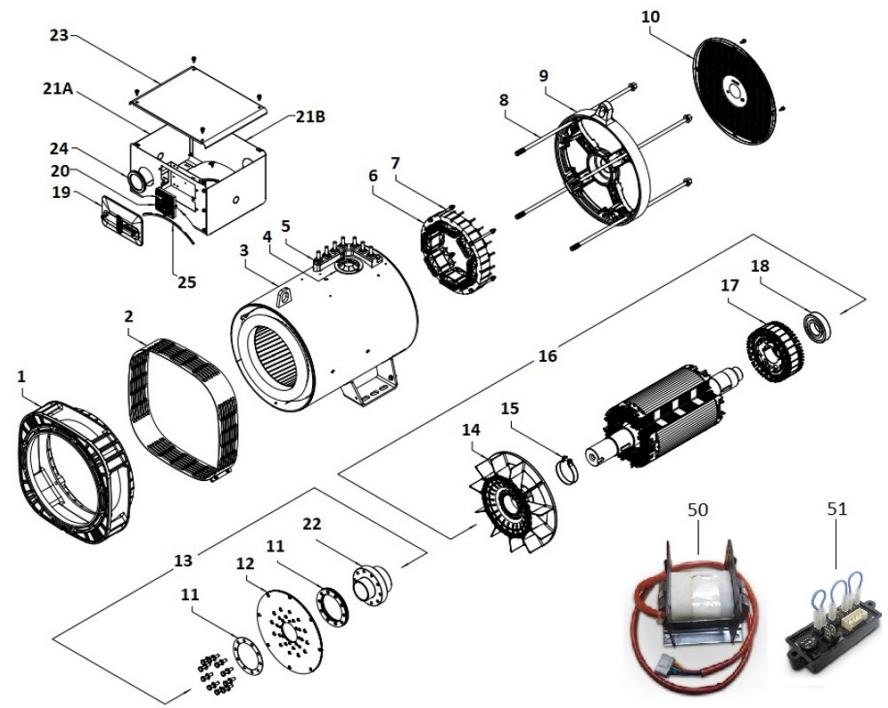
Fig.	Ref.	Qty.	Descr.	Obs	From	UpTo
1A	605113085ZPI3RCTC	1	Subst. Alt. MECC. Type B For Type C III 85 1500 400/			
1B	605113085ZPI3RSTC	1	Subst. Alt. MECC. Type B For Type C III 85 1500 400/			
1C	605113087PI0R	1	Alt.MECC.ALTE III 87,5KVA 400/230V C-TYPE P (R)			
1D	605113085ZPI4RCTC	1	Subst. Alt. MECC. Type B For C III 85KVA 1500RPM 230			
1E	605113085ZPI4RSTC	1	Subst. Alt. MECC. Type B For Type C III 85KVA 1500 2			
1F	605113087PI2R	1	Alt.MECC.ALTE III 87,5 KVA 230V C-TYPE P (R)			
1G	605123102PI4RCTC	1	Subst. Alt. MECC. Type B For C III 102 KVA 480/277V			
1H	605123102PI4RSTC	1	Subst. Alt. MECC. Type B For C III 102 KVA 1800 480/			
1I	605123105PI2R	1	Alt. MECC. III 105 KVA 480/277 C-TYPE P (R)			
1J	605123105PI1R	1	Alt. MECC. III 105 KVA 240V C-TYPE P (R)			



# Genset 85 GT/GTC & 100 GTA/GTAC Type Approval Certificate **Genset Alternator Spare Parts**

## D\_605113087Z10 Spare Part List Alternator Type C 85GT Y 100 GTA

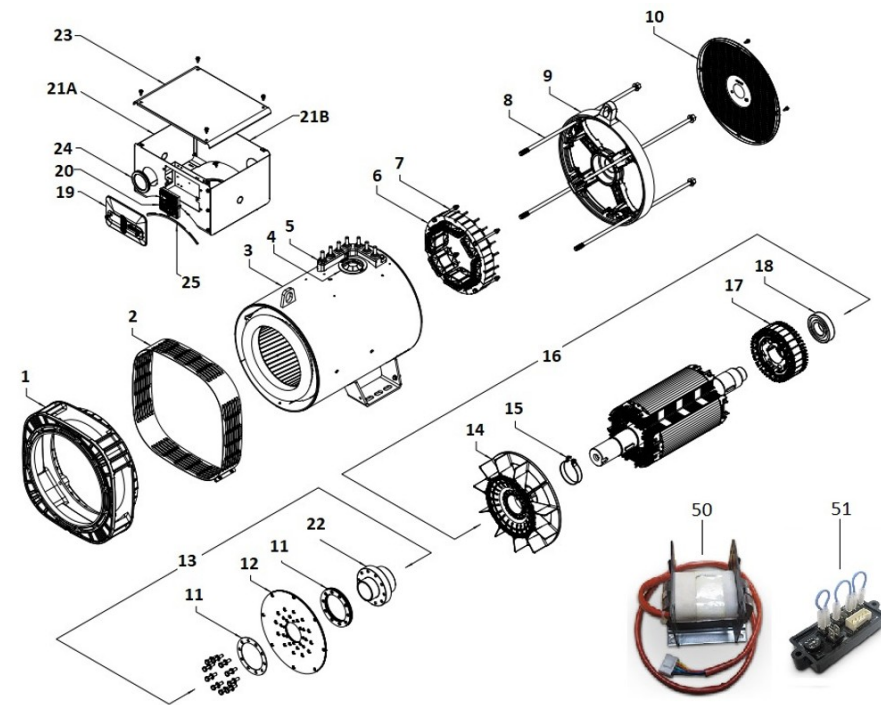
Fig.	Ref.	Qty.	Descr.	Obs	From	UpTo
1	605113125ZI.1	1	Drive end Bracket			
2	605113125ZI.2	1	Protection Screen			
3	605113087ZI.1	1	Frame and Stator			
4	605113130Z3.19	1	Cable Grommet, 90mm Hole			
5	605113125ZI.4	1	Terminal Board 7 pin M12			
6	605113085Z5.5	1	Exciter Stator H-55 8P - S/L			02/2020
6	605113125ZI.5	1	Exciter Stator H-45 8P		02/2020	
7	605113125ZI.6	1	Exciter Stay Bolt			02/2020
7	605113130Z3.24	1	Exciter Stay Bolt		02/2020	
8	605113087ZI.2	1	Cover Stay Bolt			
9	605113125ZI.8	1	Aluminum non Drive end Bracket			
10	605113125ZI.9	1	Rear Seal			
11	605113085Z5.16	1	Disc Locking Ring			
12	605113085Z5.13	1	Disc Plates SAE 11,5			
13	605113125ZI.10	1	Kit Coupling Disc Plates SAE 11,5		05/2020	
13	605113125ZI.11	1	Kit Coupling Disc Plates SAE 11,5		05/2020	
14	605113125ZI.12	1	Plastic Fan			
15	605113125ZI.13	1	Clamp 95x22			
16	605113087ZI.3	1	Rotor Assy			
17	605113125ZI.15	1	Exciter Armature, H-55 (+ Diodes), 78.5mm Hole			02/2020
17	605113125ZI.16	1	Exciter Armature, H-45 (+ diodes), 78.5mm Hole		02/2020	
18	605113085Z5.9	1	Rear Bearing 6311-2RS C3			
19	M9909505310	1	Regulator Cap			
20	60500023.1	1	Electronic Regulator DSR			
21A	605113125ZI.17	1	Side Panel for AVR			
21B	605113125ZI.18	1	Closed Side Panel			
22	605113085Z5.12	1	Coupling Hub SAE 10 - 11,5 - 14			05/2020
22	605113125ZI.21	1	Coupling Hub		05/2020	
23	605113125ZI.19	1	Terminal Box Lid			
24	605113125ZI.20	1	Cable Grommet			
25	605113050Z4.8	1	PVC Rubber Profile			



# Genset 85 GT/GTC & 100 GTA/GTAC Type Approval Certificate **Genset Alternator Spare Parts**

## D\_605113087Z10 Spare Part List Alternator Type C 85GT Y 100 GTA

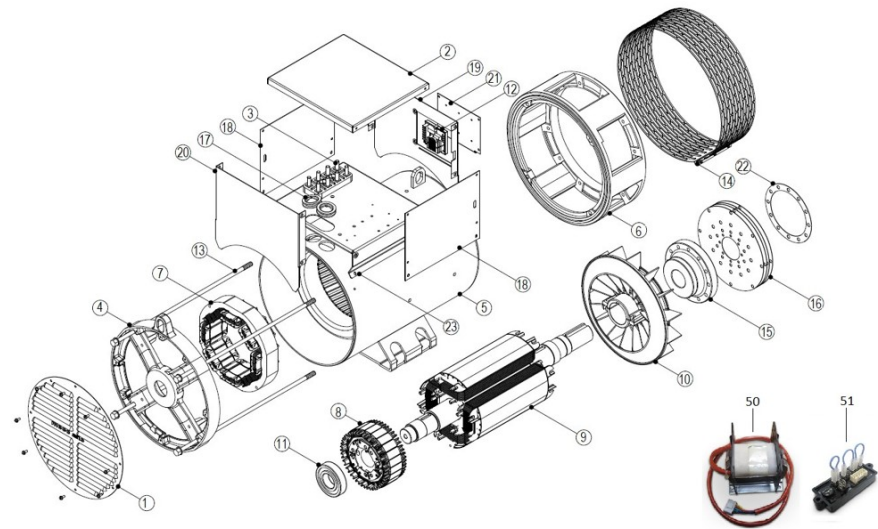
Fig.	Ref.	Qty.	Descr.	Obs	From	UpTo
50	60511386P	1	PD500 Parallel Device			
51	60511387P	1	PD-I Parallel Device			
NS	605113050Z4.25	1	Kit USB2DxR			
NS	605113125Z10.22	1	Kit terminal box (19+21+22+23+24+25)			
NS	605113125Z10.23	1	Cable assembly + varistor + capacitor for rotating b			
NS	605113125Z10.24	1	Cable Assembly + Varistor + Capacitor for Rotating B			



# Genset 85 GT/GTC & 100 GTA/GTAC Type Approval Certificate Genset Alternator Spare Parts

## D\_605113085Z3 Spare Part List Alternator Type B 85GT Y 100 GTA UP TO 29/12/2021

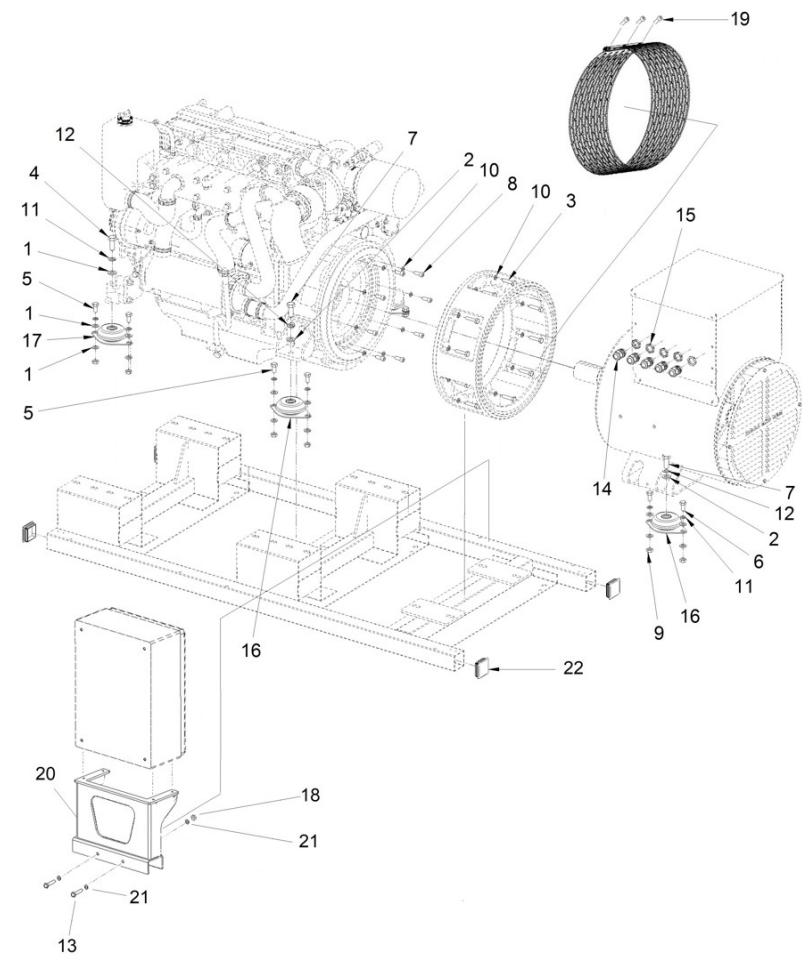
Fig.	Ref.	Qty.	Descr.	Obs	From	UpTo
1	60511385.1	1	Rear Seal			
2	605113085Z3.2	1	Terminal Box Lid			
3	605113085Z3.8	1	Terminal Board 8 pin			
4	605113085Z3.9	1	Non Crive end Bracket			
5	605113085Z3.10	1	Frame and Stator 1S			
6	605113085Z3.11	1	Drive end Bracket MD 35/2			
7	605113085Z3.12	1	Exciter Stator H-55 8P - S/L			
8	605113085Z3.13	1	Exciter Armature H-55 8P + Diodes T30			
9	605113085Z3.14	1	Rotor Assy 1S MD35-B14			
10	605113085Z3.15	1	Fan			
11	605113085Z3.16	1	Rear Bearing 6311-2RS C3			
12	60500023.1	1	Electronic Regulator DSR			
13	605113085Z3.17	4	Cover Stay Bolt 34-S			
14	605113085Z3.18	1	Protection Screen MD35			
15	605113085Z3.19	1	Coupling Hub SAE 10 - 11,5 - 14			
16	605113085Z3.20	1	Disc Plates SAE 11,5			
17	605113085Z3.21	2	Cable Grommet			
18	605113085Z3.5	2	Termin. Brd. Side Panels			
19	605113085Z3.3	1	Termin. Brd. Front Panel + Loophole			
20	605113085Z3.4	1	Termin. Brd. Rear Panel			
21	605113085Z3.22	1	Regulator Carrying Panel x Loophole			
22	605113085Z3.23	1	Disc Locking Ring			
23	605113085Z3.24	1	Component Holding Panel			
50	60511386P	1	PD500 Parallel Device			
51	60511387P	1	PD-I Parallel Device			
NS	605113085Z3.6	1	Sector for Rotating Bridge T 30			
NS	605113085Z3.7	1	DI1 for DSR/DER1 + Cable DI1/Reg.			



# Genset 85 GT/GTC & 100 GTA/GTAC Type Approval Certificate **Genset Alternator Kit**

## D\_60594063.3 Alternator Kit Without Canopy

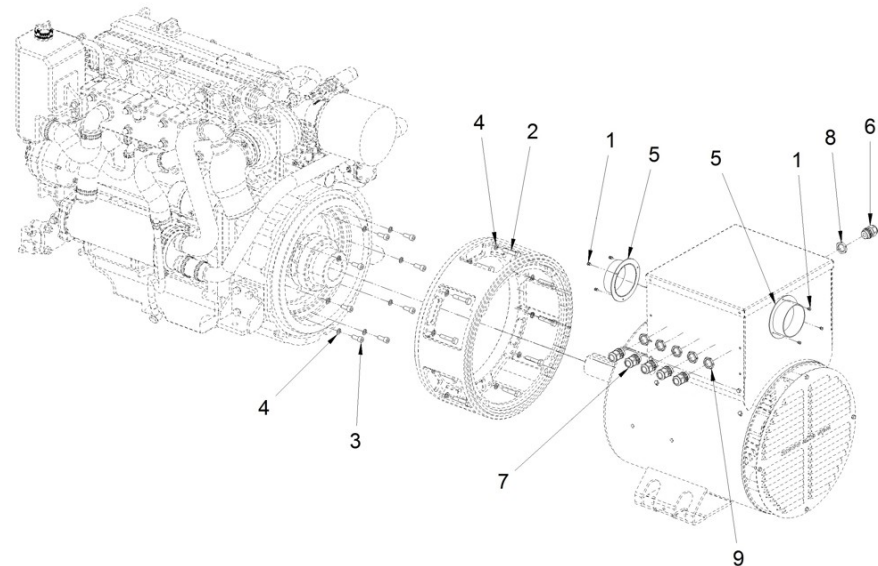
Fig.	Ref.	Qty.	Descr.	Obs	From	UpTo
1	51030012	26	Washer DIN 125-12			
2	51030016	4	Washer DIN 125-16			
3	52101312	12	Bolt DIN 931 M10-45 8.8			
4	52101373	2	Bolt DIN 931 M12-100 8.8			
5	52102358	8	Bolt DIN 933 M12-25 8.8			
6	52102359	4	Bolt DIN 933 M12-30 8.8			
7	52102461	4	Bolt DIN 933 M16-40 8.8			
8	52103308	8	Bolt DIN 912 M10-25 8.8			
9	52120012	12	Nut DIN 934 M12 8.8			
10	53033010	20	Washer GROWER DIN 127-10			
11	53033012	14	Washer Grower DIN 127-12			
12	53033016C	4	Washer			
13	52101269	2	Bolt DIN 931 M8-80 8.8			
14	60900306	5	Connector Press CAPTOR-2000 M25 RAL7001			
15	60900309	5	Screw Connector Press Captor-2000 M25			
16	61674001	4	Engine Mount Type F 40 SHA M16 H 41			
16	61674004	4	Engine Mount Type F BRB 110 B50 SHA M16 H 41		14/04/2023	
17	61674002	2	Engine Mount Type F 35 SHA M12 H 41			
17	61674005	2	Engine Mount Type F BRB 110 B50 SHA M12 H 41		14/04/2023	
18	52120008	2	Nut DIN 934 M8 8.8			
19	52102110	3	Bolt DIN 933 M5-30 8.8 CINCADO			
20	19417008	1	Parallel box support (S)			06/09/2023
20	19417053	1	Parallel box Bracket (S)		06/09/2023	
21	53033008	8	Washer GROWER DIN 127-8			
22	60539019	4	LID (60 Tube)			
NS	51030008	4	Washer DIN 125-8			
NS	51031012	2	Washer DIN 9021 12			
NS	52103256	4	Bolt DIN 912 M8-16 8.8			
NS	TP.4.L.18.2	2	Sec.4 Doble Long. 18 double cord end terminal			



# Genset 85 GT/GTC & 100 GTA/GTAC Type Approval Certificate **Genset Alternator Kit**

**D\_60594063.1 Alternator Kit with Canopy**

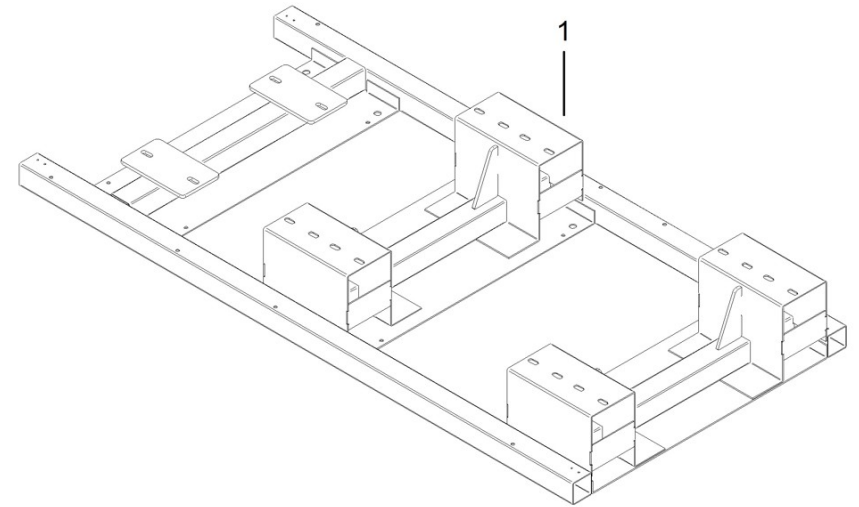
Fig.	Ref.	Qty.	Descr.	Obs	From	UpTo
1	51058054	6	Aluminium Rivet 4.0 X 10			
2	52101313	12	Bolt DIN 931 M10-50 8.8			
3	52103308	8	Bolt DIN 912 M10-25 8.8			
4	53033010	20	Washer GROWER DIN 127-10			
5	60594042.64	2	Air TUBING D100			
6	60900304	1	Coneector Press PA Grey IP68 M16			
7	60900306	5	Connector Press CAPTOR-2000 M25 RAL7001			
8	60900307	1	Screw Connector Press PA Grey IP68 M16			
9	60900309	5	Screw Connector Press Captor-2000 M25			
NS	60900517	1	Cover,wiring			
NS	60974075.1	1	Fan Installation			
NS	60974077	1	Kit Fan Installation			
NS	60994072A	1	N Breaker BLUE TO SYStem ALT. 760mm			
NS	60994072G	1	W Breaker GRAY TO SYStem ALT. 760mm			
NS	60994072M	1	V Breaker BROWN TO SYStem ALT. 760mm			
NS	60994072N	1	U Breaker BLACK TO SYStem ALT. 760mm			





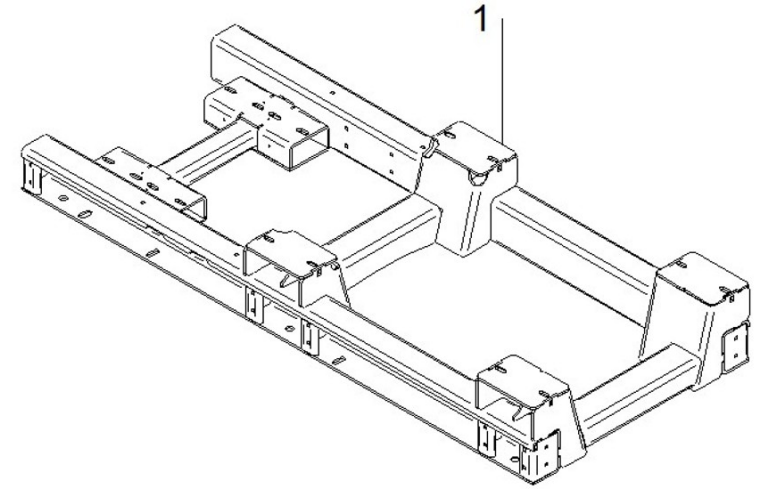
**D\_60594042.1 Genset Chassis**

Fig.	Ref.	Qty.	Descr.	Obs	From	UpTo
1	60594042.1	1	Genset CHASSIS		05/04/2017	06/09/2023



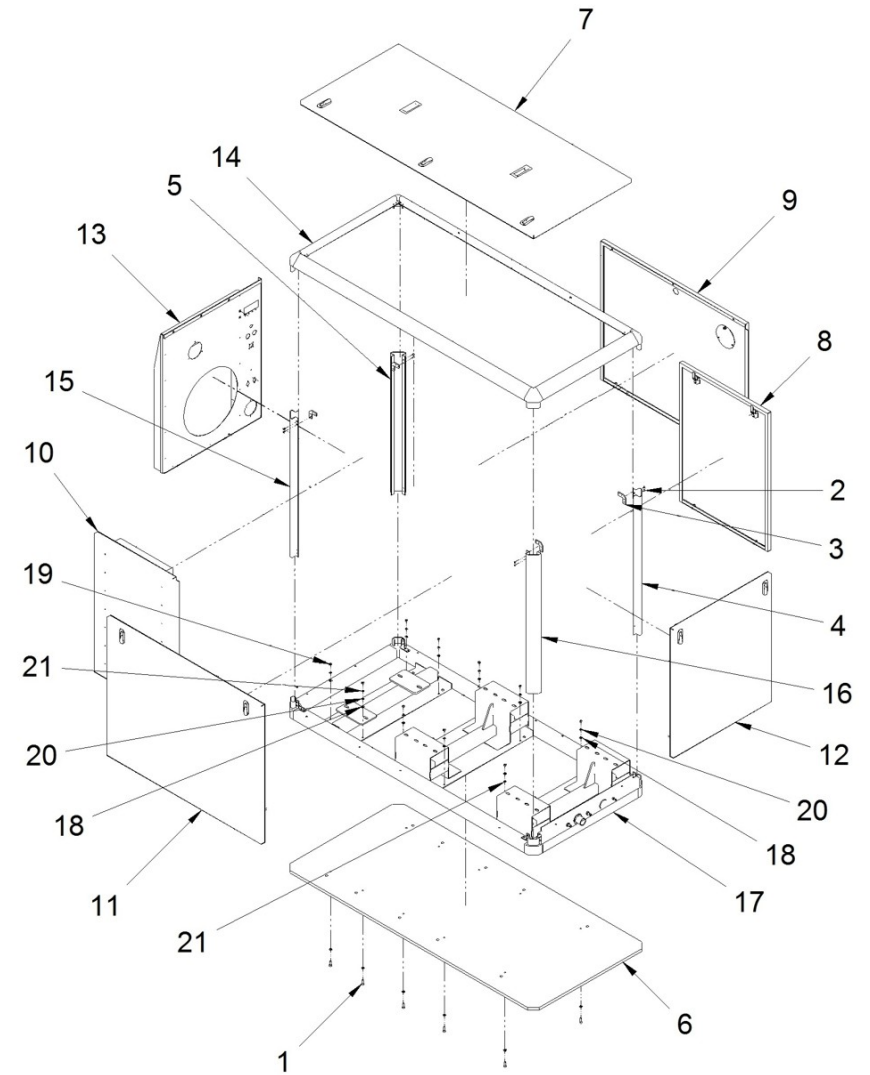
D\_60594035 Chassis

Fig.	Ref.	Qty.	Descr.	Obs	From	UpTo
1	60594035	1	Engine Bed		06/09/2023	



D\_SDZ109EGTDN\_09\_1 Cabin

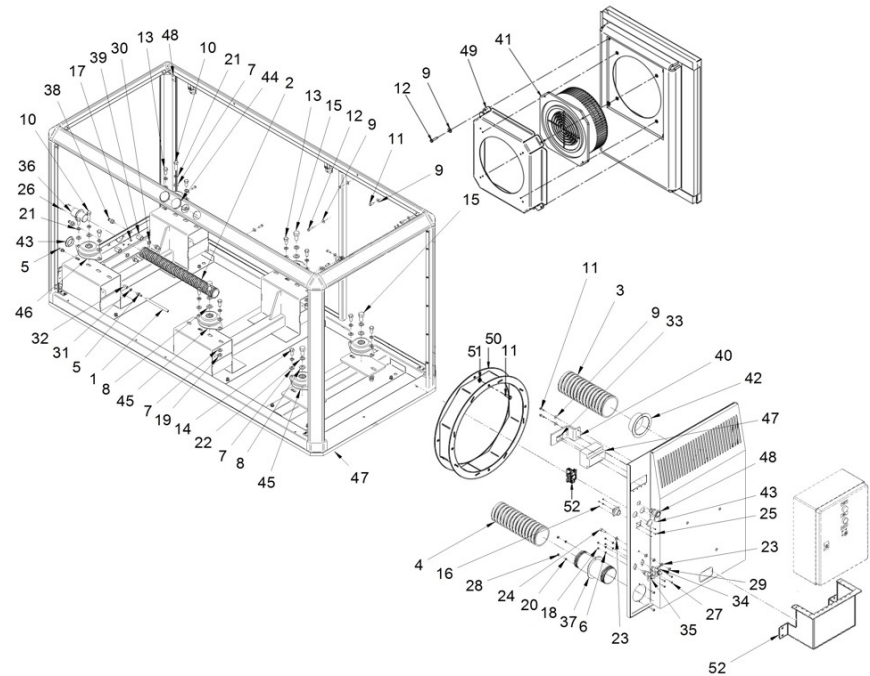
Fig.	Ref.	Qty.	Descr.	Obs	From	UpTo
1	52103258	10	Bolt DIN 912 M8-25 8.8			
2	53105104	8	Bolt DIN 7991 M5-10 12.9			
3	60573041.43	4	L Fastening Bracket			
4	60594042.03	1	VERTICAL BAR			
5	60594042.04	1	VERTICAL BAR			
6	60594042.10	1	BASEBOARD			
7	60594042.20	1	Upper Panel			
8	60594042.21B	1	Side Panel			
9	60594042.21C	1	Side Panel			
10	60594042.22A	1	Output Panel			
11	60594042.22B	1	Output Panel			
12	60594042.24	1	FrontAL Panel			
13	60594042.26	1	Back Panel			
14	60594042.30	1	Upper FRAME			
15	60594042.31	1	VERTICAL BAR			
16	60594042.32	1	VERTICAL BAR			
17	60594042.61	1	Bottom Frame			
18	51030008	20	Washer DIN 125-8			
19	52120008	10	Nut DIN 934 M8 8.8			
20	53033008	9	Washer GROWER DIN 127-8			
21	53038008	2	Washer DIN 6798-A 8			



# Genset 85 GT/GTC & 100 GTA/GTAC Type Approval Certificate **Canopy Spare Parts**

**D\_SDZ109EGTDN\_09\_2 Kit Cabin**

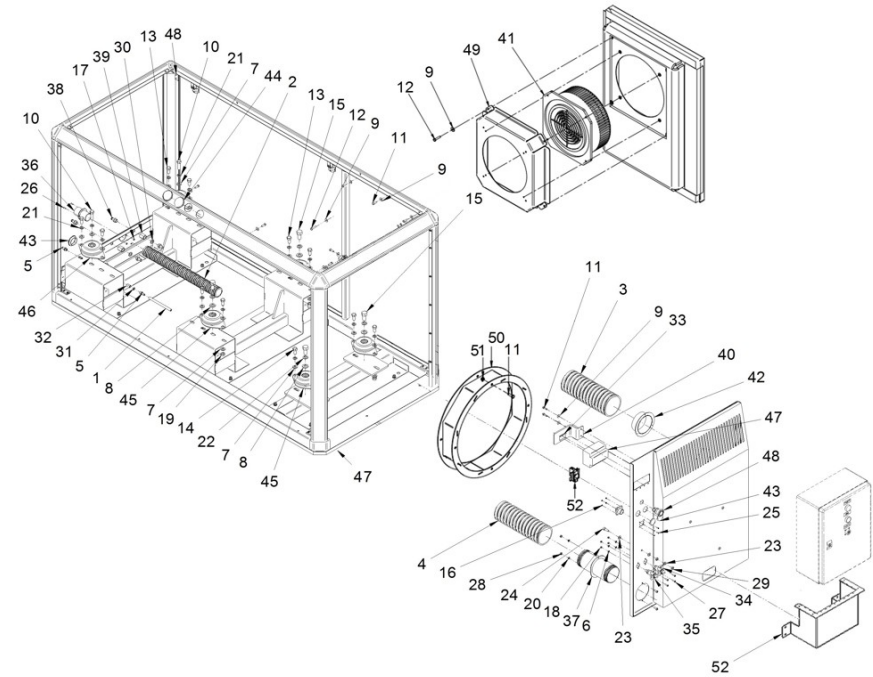
Fig.	Ref.	Qty.	Descr.	Obs	From	UpTo
1	M80501006	1.0	Hose D.10-6			
2	19411076	2.0	HOSE DNV D.40-51 2.6 M			
3	M8850102114	1.0	Exhaust Hose D. 102			04/03/2024
3	M885710200	1.0	Air Aspiration Hose D. 102		04/03/2024	
4	M885090102	1.0	Exhaust Hose D. 90			
5	13814072	2	Straight Hose Connector 1/8" NPTF			
6	51030005	4	Washer DIN 125-5			
7	51030012	24	Washer DIN 125-12			
8	51030016	4	Washer DIN 125-16			
9	51031006	11	Washer DIN 9021 6			
10	52101373	2	Bolt DIN 931 M12-100 8.8			
11	52102157	15	Bolt DIN 933 M6-20 8.8			
12	52102159	4	Bolt DIN 933 M6-30 8.8			
13	52102358	8	Bolt DIN 933 M12-25 8.8			
14	52102359	4	Bolt DIN 933 M12-30 8.8			
15	52102461	4	Bolt DIN 933 M16-40 8.8			
16	19417007	1	Parallel box support (C)			
17	52120004	2	Nut DIN 934 M4 8.8			
18	52120005	4	Nut DIN 934 M5 8.8			
19	52120012	8	Nut DIN 934 M12 8.8			
20	53033006	2	Washer GROWER DIN 127-6			
21	53033012	14	Washer Grower DIN 127-12			
22	53033016C	4	Washer			
23	54030008	3	Washer DIN 125-8 INOX.			
24	54103258	1	Bolt DIN 912 M8-25 INOX.			
25	19417110	1	Terminal block 85 GTC-95 GTAC			
26	54118054	2	Bolt DIN 7985 M4-10 INOX			
27	54118106	4	Bolt DIN 7985 M5-16 INOX			
28	54120006	2	Nut DIN 934 M6 INOX			
29	54120008	2	Nut DIN 934 M8			
30	56000073	2	Copper Washer 16-23-1,5			



# Genset 85 GT/GTC & 100 GTA/GTAC Type Approval Certificate **Canopy Spare Parts**

## D\_SDZ109EGTDN\_09\_2 Kit Cabin

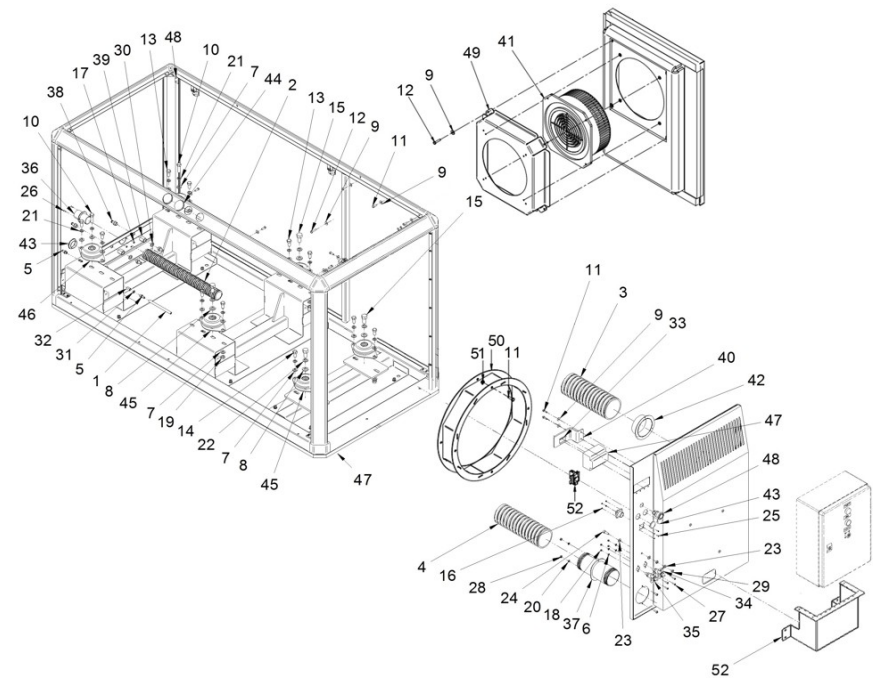
Fig.	Ref.	Qty.	Descr.	Obs	From	UpTo
31	57000361	1	Washer 10-14-1,5			
32	60573041.39	1	ROD Coupling 1/8 BSP			
33	60573041.64	1	Switch Disconnecter Omega Bracket			
34	60573047	1	Battery Plug IN			
35	60573048	1	Battery Plug IN			
36	60594032	1	Water Wall Bushing D.40			
37	60594028	1	Exhaust Wall PASS D90			
38	60594041.39	4	Gasoil Wall Bushing D12 MALE			
39	60594041.40	2	ROD Coupling 3/8 BSP			
40	60594042.42	1	Switch Disconnecter Bracket			
41	6057A050	1	Centrifugal Fan PSB 230V		06/06/2023	
41	60594042.44	1	Fan HJEM 25 M4 (CASALS)			05/06/2023
42	60594042.64	2	Air TUBING D100			
43	60900508	2	Shutter 31			
44	60900514	2	Shutter 44			
45	61674001	4	Engine Mount Type F 40 SHA M16 H 41			
45	61674007	4	Engine Mount Type F BRB 110 A40 SHA M16 H 41		14/04/2023	
46	61674002	2	Engine Mount Type F 35 SHA M12 H 41			
46	61674006	2	Engine Mount Type F BRB 110 A40 SHA M12 H 41		14/04/2023	
47	60994085	1	FOUR PoleS 125 DISConnector			
49	6057A041.23B	1	Air Outlet Aluminium Sheet Box			
50	60594042.25G	1	Spacer Ring			
51	51123006	4	Nut DIN 985 M6 5.6			
NS	19414010	1	Fuel Hose			
NS	19414011	1	Fuel Hose			
NS	19414012	1	Fuel Hose			
NS	19414030	1	STRAIGHT COUPLING 3/8			
NS	19414031	1	BOLT 3/8			
NS	54081012	4	Clamp DIN 3017 12-22/9 W4			
NS	54082090	4	Clamp DIN 3017 90-110/12 W4			
NS	54083112	2	GP Clamp 104-112 W4 STC			



# Genset 85 GT/GTC & 100 GTA/GTAC Type Approval Certificate **Canopy Spare Parts**

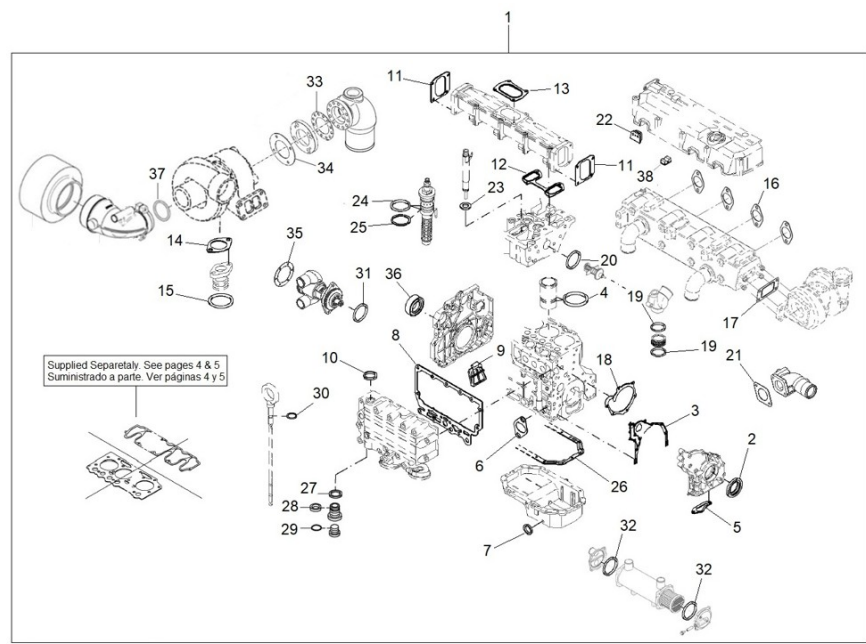
## D\_SDZ109EGTDN\_09\_2 Kit Cabin

Fig.	Ref.	Qty.	Descr.	Obs	From	UpTo
NS	54086097	2	GP Clamp 97-104 W4 STC			
NS	60594042.62	1	Dry Exhaust Cover			
NS	60900047	1	White Strip VDe 104 4			
NS	60972074	1	0,44 M. Back Panel To Alt. Wiring Ground			
NS	60972090	2	TER. PROTECTIVE 20 RED			
NS	60972091	3	TER. PROTECTIVE 20 BLACK			
NS	60974002	1	2 M. BLACK Battery NEGATIVE Wiring			
NS	60974048	1	0,73 M. BLACK Battery NEGATIVE Wiring			
NS	60974049	1	RED Battery POSITIVE Wiring			



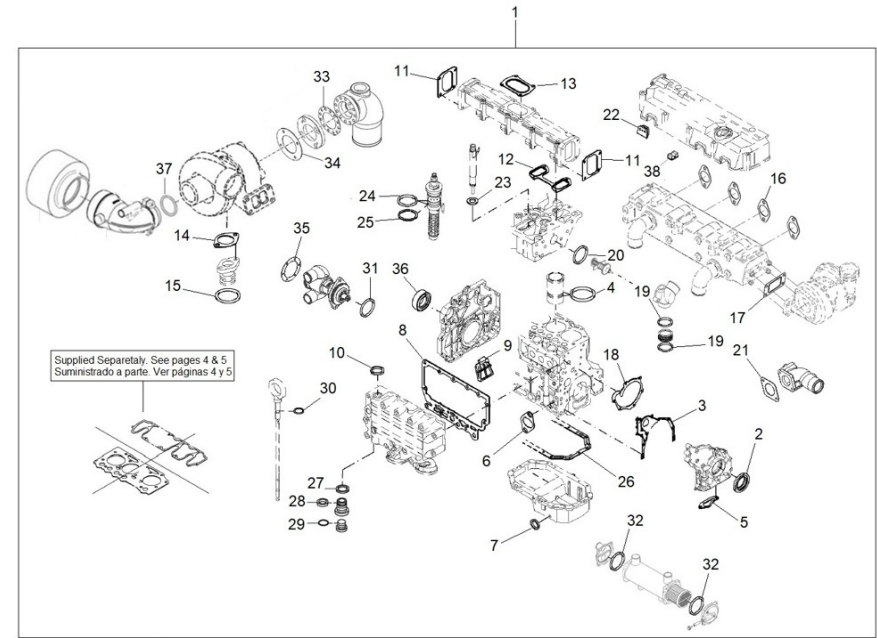
**D\_GJ01\_6\_1 Gasket Kit**

Fig.	Ref.	Qty.	Descr.	Obs	From	UpTo
1	19420103	1	Gasket Set			
2	19420008	1	ROT.Shaft LIP Seal			
3	19420026.2	1	Gasket			
4	19420074	8	O-Ring D. 115X3			
5	19424056.1	1	Gasket			
6	19421076	1	Gasket			
7	19420032.1	1	Gasket			
8	19424084	1	Gasket			
9	19422116	1	CORE Hole Plug			
10	19421019	1	Sealing Ring			
11	19421047	2	Gasket			
12	19421063	2	Gasket			
13	19421034	1	Gasket			
14	19428062	1	Gasket			
15	19428063	2	Sealing Ring			
16	19421181.2	4	Gasket			
17	19421183.3	1	Gasket			
18	19421040	1	Flat Gasket			
19	19421044	2	O-Ring			
20	19421041	1	O-Ring			
21	19411010	1	Gasket			
22	19421018	4	Rubber Seal			
23	19426012	4	Sealing Ring			
24	19425002	12	O-Ring D. 40X3,5			
25	19425003	8	Shim			
26	19420033	1	Gasket			
27	19422118	1	Sealing Ring			
28	19422115	1	Sealing Ring			
29	19422113	1	O-Ring			
30	19620029.2	1	O-Ring			
31	19420221	1	O-Ring D. 82X4 VITON			



D\_GJ01\_6\_1 Gasket Kit

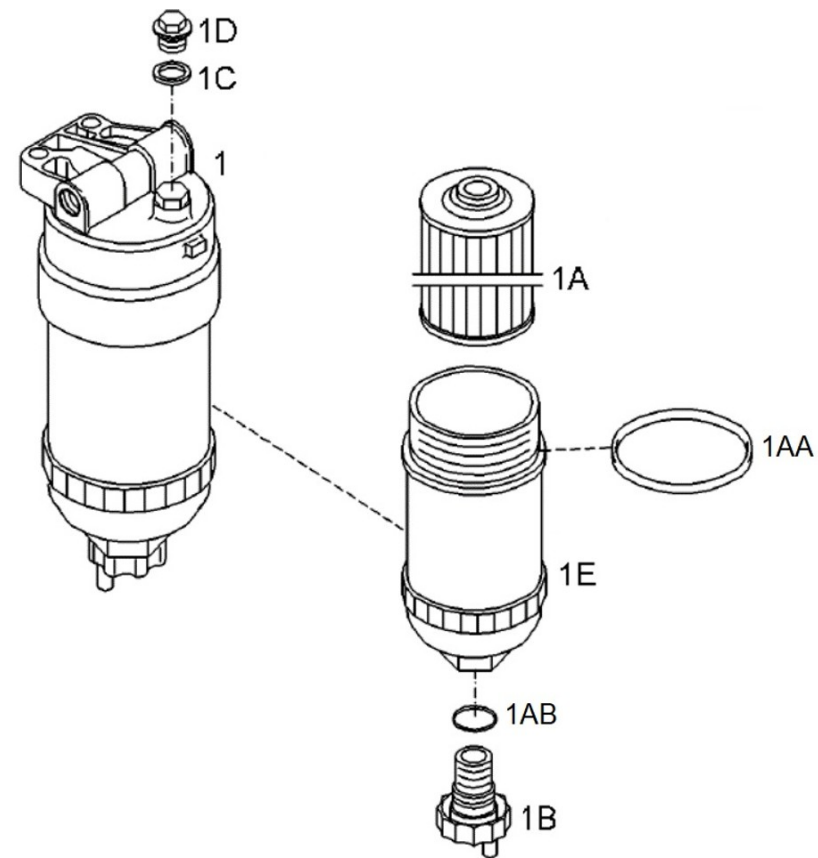
Fig.	Ref.	Qty.	Descr.	Obs	From	UpTo
32	16711007	2	O-Ring D. 116X4			
33	16513016	1	Exhaust Elbow Gasket			
34	19413013	1	Gasket			
35	34711003	1	Gasket Cover			
36	19420039.1	1	ROT.Shaft LIP Seal			
37	19610019	1	O-Ring D. 62X5 VITON			
38	19421011	1	Cap			





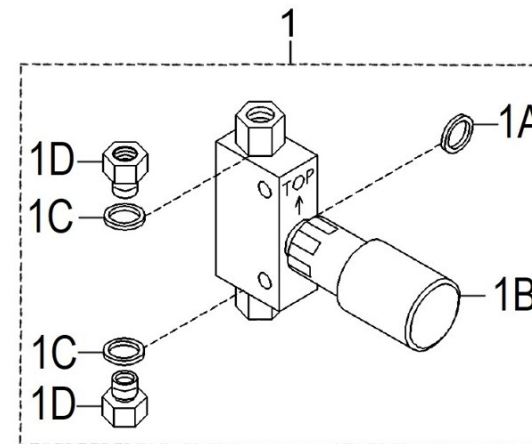
D\_19424020 Fuel Filter

Fig.	Ref.	Qty.	Descr.	Obs	From	UpTo
1	19424020	1	SPin-ON Fuel FILT.			
1A	19424020.3	1	Pre Fuel Filter Element SDZ-165/205/280			
1AA	19424020.2	1	O-Ring D. 95X4			
1AB	19424020.4	1	O-Ring D. 12X2,5			
1B	19424020.5	1	DRAIN Valve			
1C	19421016	1	Sealing Ring			
1D	19420071	1	Screw Plug			
1E	19424020.8	1	Filter Housing			



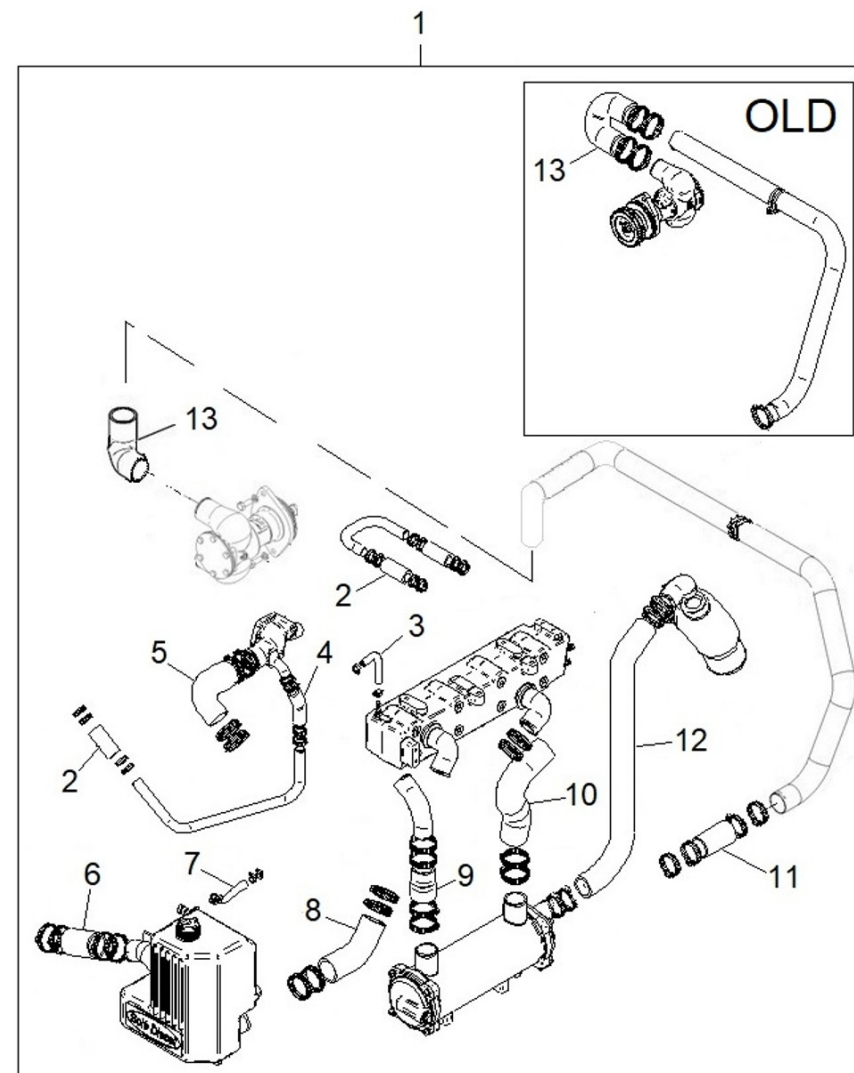
D\_19424050 Hand Pump

Fig.	Ref.	Qty.	Descr.	Obs	From	UpTo
1	19424075	1	Kit Fuel Pump			
1A	19424050.1	1	Sealing Ring			14/11/2019
1B	19424050.2	1	Hand Pump			14/11/2019
1C	19424078	2	Gasket			14/11/2019
1C	56000077	2	Washer 18-23-1,5		14/11/2019	
1D	19424050.3	2	Adapter NIPPLE			14/11/2019
1D	19424079	2	Manual Pump gasoil Fitting		14/11/2019	



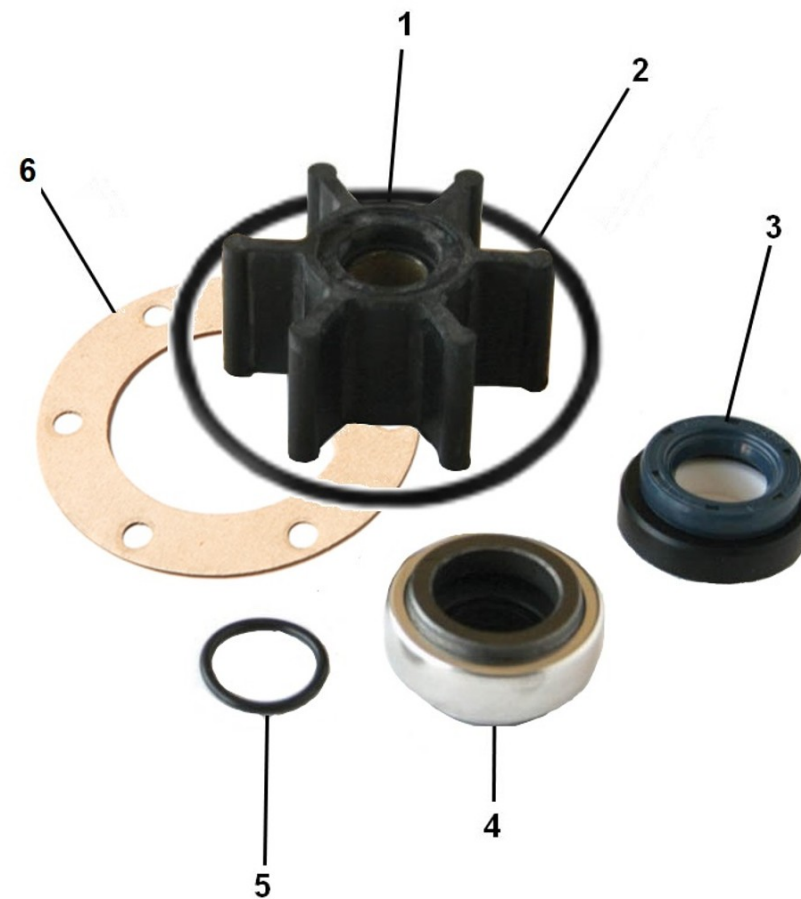
D\_19411102G Pipe Rubber Set, Water Line

Fig.	Ref.	Qty.	Descr.	Obs	From	UpTo
1	19411102G	1	Pipe Rubber Set SDZ-109 Genset DNV			
2	19411063	3	Rubber Hose D.22-32-70			
3	19411041	1	Purge Hose			
4	19411056	1	RUBBER ELBOW D.20			
5	19411057	1	Rubber Elbow D.42-50			
6	19411064	1	Rubber Hose D.48-55-90			
7	19411042	1	Hose			
8	19411055	1	RUBBER ELBOW D.45-48			
9	19411059	1	Rubber Hose D.42-50			
10	19411058	1	Rubber Hose D.45-50			
11	19411061	1	Rubber Hose D.42-52-90			
12	19411075	1	HOSE DNV D.40-51 0.9 M			
13	19411015	1	Elbow		16/02/2023	
13	19411034	1	Pipe, Rubber			16/02/2023



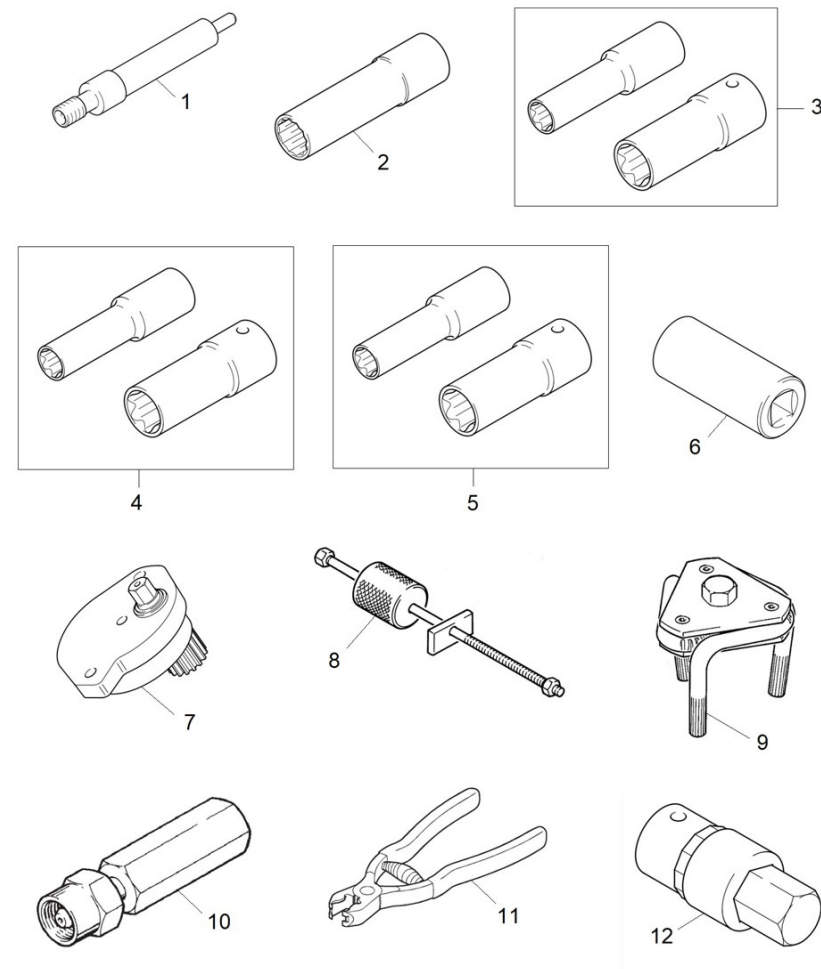
D\_SDZ109EGTDN\_10\_3 Repair Kit Water Pump

Fig.	Ref.	Qty.	Descr.	Obs	From	UpTo
1	39411008	1	1" L.68 Impeller			
2	19420221	1	O-Ring D. 82X4 VITON			
3	36511020	1	Seal 16-30-7			
4	36511019	1	Seal			
5	33311013	1	O-Ring D. 15X2			
6	34711003	1	Gasket Cover			



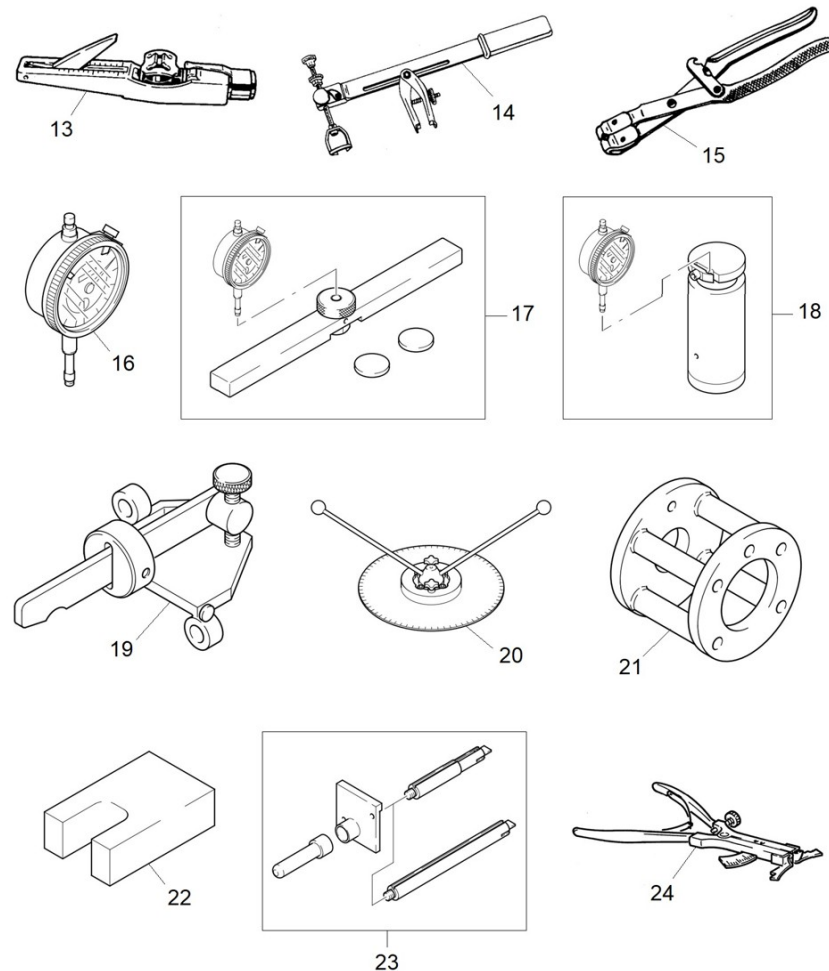
D\_UTILSDZPRO\_1 Special Tools 1/4

Fig.	Ref.	Qty.	Descr.	Obs	From	UpTo
1	UBP00006	1	Connector For Compression Tester			
2	UMSDZ001	1	Socket A/Flats 15 Long For Injector			
3	UMSDZ002	1	Torx Sockets Long Version			
4	UMSDZ003	1	Torx Sockets Long Version			
5	UMSDZ004	1	Torx Sockets Long Version			
6	UMSDZ005	1	Serrated Wrench Turning Injection Pump			
7	UMSDZ008	1	Assembly Tool For Front Crankshaft Seal			
8	UMSDZ010	1	Extractor			
9	UMSDZ011	1	Special Device Off Filter Cartridge			
10	UMSDZ012	1	Extractor Injector			
11	UMSDZ016	1	Cobra Clamp Pliers			
12	UMSDZ017	1	Screw Driver Socket			



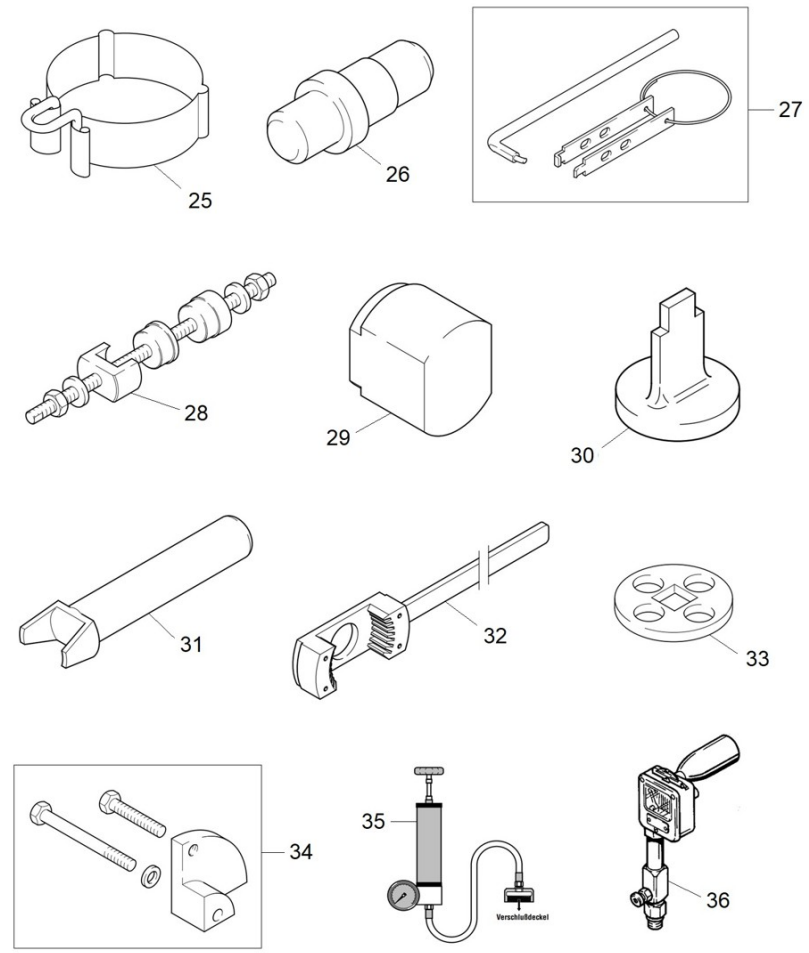
D\_UTILSDZPRO\_2 Special Tools 2/4

Fig.	Ref.	Qty.	Descr.	Obs	From	UpTo
13	UMSDZ018	1	V-Belt Tension Gauge			
14	UMSDZ019	1	Valve Spring Assembly Lever			
15	UMSDZ020	1	Spring Clamp Pliers			
16	UMSDZ024	1	Dial Gauge M2T With Locking Ring			
17	UMSDZ025	1	Measuring Bar With Spacers For Gauging			
18	UMSDZ026	1	Measuring Device Base Circle Injection			
19	UMSDZ027	1	Press-on Device For Control Rod			
20	UMSDZ028	1	GRADUATED DISC 360° For TDC and COD			
21	UMSDZ029	1	Adapter For Graduated Disc			
22	UMSDZ030	1	Dolly For Injector a/flats 11			
23	UMSDZ031	1	Assembly Tool For Control Rod Sleeves			
24	UMSDZ034	1	Piston Ring Pliers			



D\_UTILSDZPRO\_3 Special Tools 3/4

Fig.	Ref.	Qty.	Descr.	Obs	From	UpTo
25	UMSDZ035	1	Piston Ring Compressor			
26	UMSDZ036	1	Assembly Tool For Small End Bush			
27	UMSDZ037	1	Puller For Front And Rear Crakshaft Seal			
28	UMSDZ040	1	Assembly Tool For Camshaft Sleeves			
29	UMSDZ041	1	Assembly Tool For Cylinder Liner			
30	UMSDZ042	1	Assembly Tool For Pressure Control Valve			
31	UMSDZ043	1	Assembly Tool For Thermostat			
32	UMSDZ044	1	Dolly For Air Compressor Gear			
33	UMSDZ069	1	Turning Device			
34	UMSDZ070	1	Measuring Device For Control Rod			
35	UMSDZ058	1	Pressure Pump for Tightness Testing Coolant System			
36	UMSDZ059	1	Compression Tester			



D\_UTILSDZPRO\_4 Special Tools 4/4

Fig.	Ref.	Qty.	Descr.	Obs	From	UpTo
37	UMSDZ060	1	Injector Tester			
38	UMSDZ061	1	Torx Torx-Werkzeugsatz Tool Kit			
39	UMSDZ062	1	Spring Clamp Pliers			
40	UMSDZ063	1	Auxiliary Tool Glow Plug Cable Coupler			
41	UMSDZ064	1	Adjusting Bolts for Mass Compensating Shafts "MAG"			
42	UMSDZ066	1	Assembly Tool For Rear Crankshaft Seal			
43	UMSDZ067	1	Turning Gear			
NS	61800001	1	Injector Tester			
NS	UBP00002	1	Test Bench Engine Test Bench SDZ-280 Pressure			
NS	UMSDZ021	1	Spring Clamp Pliers			
NS	UV19410016B	1	Turbo pressure test tool SDZ-280			
NS	UV19424040.1	1	Fuel pressure test tool SDZ-280			

