



Part list

Genset 68 GT/GTC & 84 GTA/GTAC TAC



PARTS LIST CATALOGUE

NORMS TO PLACE AN ORDER

For fast and more efficient service, please specify the following information on spare parts orders that must be preferably done by e-mail as specified below:

- 1- Engine model: As shown in identification plate
- 2- Engine serial number: As shown in identification plate and stamped on crankcase
- 3- Item description + part number + quantity required

Spare parts requests must be addressed to :

orders@soleadvance.com

Tel.: +34 93 775 44 05

The components shown in the catalog have:

- Figure: Number by which they are represented in scheme
- Description: Trade name of the component
- Quantity: Total number of parts used in the assembly of the part represented (may differ from the total minimum quantities)

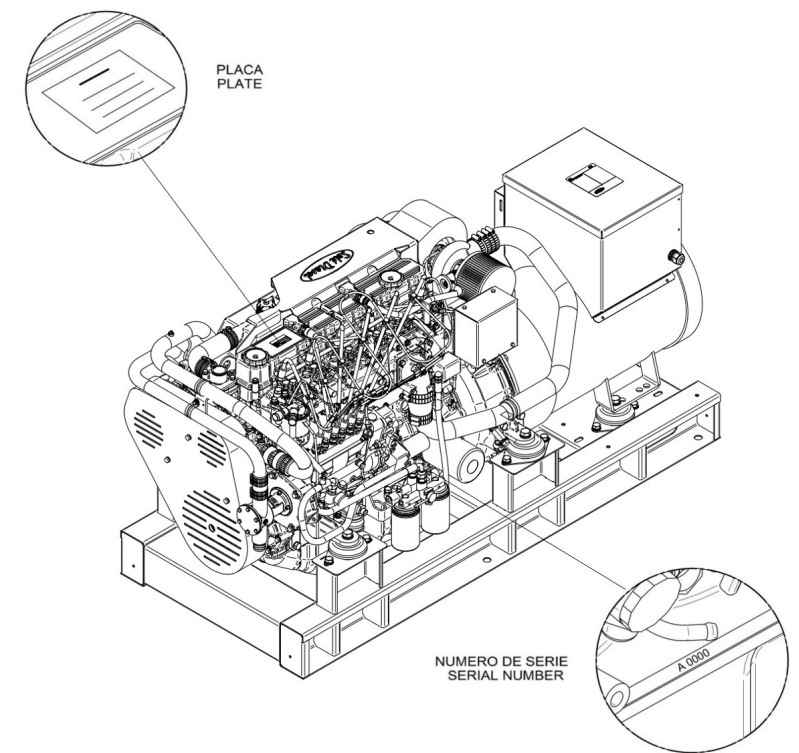
Hoses, indicates the total length in meters

The diagrams shown in this catalog of spare parts, have only the purpose to identify the piece in question, its representation is not meaningful and may differ from the actual piece.

In case of doubt, contact Solé Advance, or your authorized dealer.

The parts i / or references in this catalog are subject to change without notice.

SOLÉ, S.A.
C-243b, km, 2
08760 Martorell (Barcelona) Spain



Index**Engine Body**

Cylinder Head
Rocker Cover & Breather
Valve Drive
Timing Parts
Gear Case
Crankcase
Rear Plate
Piston & Connecting Rod
Crankshaft & Flywheel
Oil System
Oil Pan
Engine Brackets
Drive Belt Guard For Genset Without Cabin

Inlet & Exhaust

Inlet
Turbocharger

Cooling System

Water Pump
Cooler Pipes
Water Cooler Assy SM-81 TAC (R)
Cross Brace Pump 1" SM-82/94 Gen.SM-81
Wet Exhaust

Fuel System

Fuel Pipe And Fuel Leak Alarm
Injection Nozzle
Governor Parts
Kit 2nd Fuel Filter TAC

Electrical System

Electrical System 12V
Electrical System 24V
Parallel Control System 12V
Parallel Control System 24V
Control and Power Cabinets
Genset Extension TAC

Genset Alternator Spare Parts

Alternators 68 GT/GTC AND 84 GTA/GTAC
Spare Part List Alternator Type C
Spare Part List Alternator Type B Upto 29/12/2021

Genset Alternator Kit

Alternator Kit Without Cabin
Alternator Kit With Cabin (400/230V & 480/277V)
Alternator Kit With Cabin (230V & 240V)

SM-81 Engine Bed**Canopy Spare Parts**

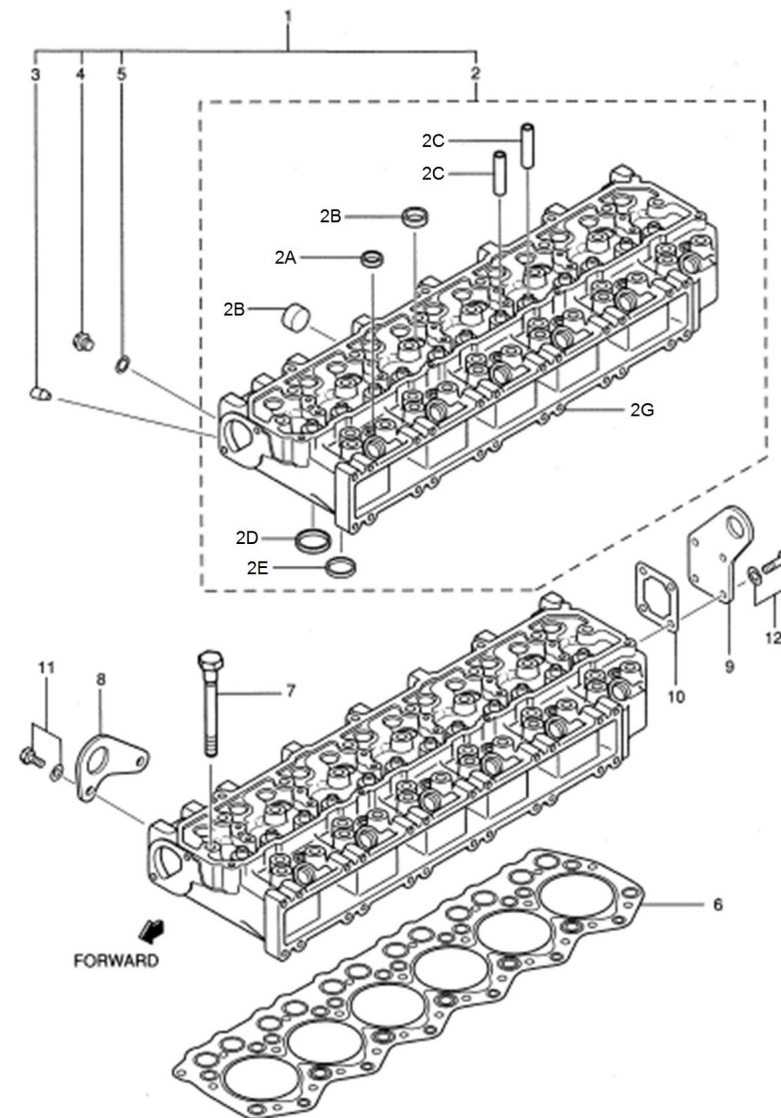
Canopy
Cabin Kit

Maintenance Kit

Pipe Rubber Set, Water Line SM-81 (TAC)
Gasket Kit
Repair Kit Water Pump 1"
Special Tools
Special Tools

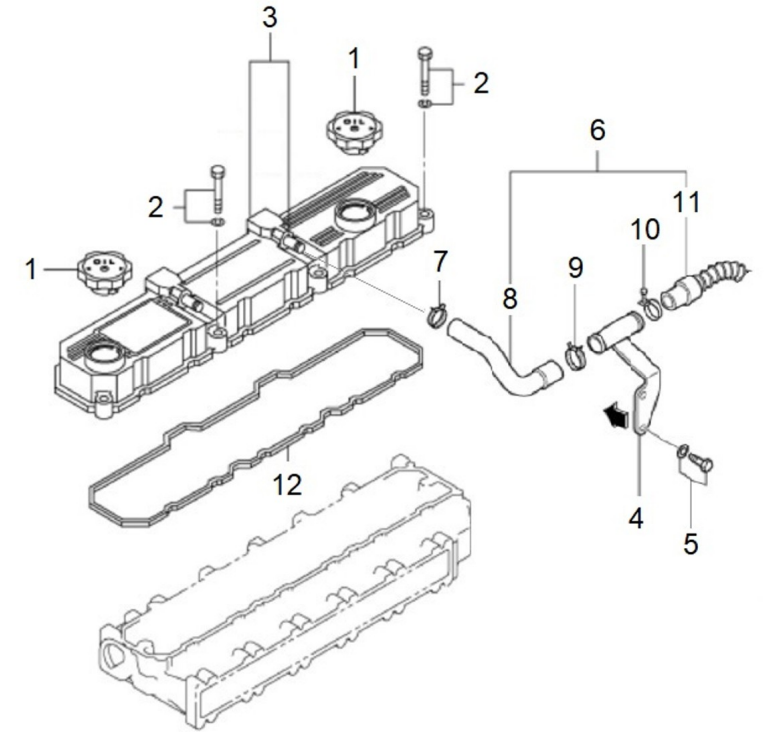
D SM81GTDN 01 1 **Cylinder Head**

Fig.	Ref.	Qty.	Descr.	Obs	From	UpTo
1	17A21001	1	Cylinder Head			
2A	17220006	18	Cap, Sealing			
2B	13220012	11	Cap Sealing			
2C	17421002	12	Guide,Valve			
2D	17421061	6	Seat,Valve,IN			
2E	17421062	6	Seat,Valve,Exhaust			
4	17121016	1	Plug, drain			
5	17121013	1	Gasket			
6	17521004	1	Cylinder Head Gasket			
7	17421005	25	Bolt,cylinder head			
8	17420014	1	Eye,Lifting,Front			
9	17421018	1	Eye,Lifting;Head Rea			
10	17421011	1	Gasket			
11	17821012	2	Bolt,W/Washer			
12	17421012G.1	4	Bolt W/Washer (Generator)			



D SM81GTDN 01 2 **Rocker Cover & Breather**

Fig.	Ref.	Qty.	Descr.	Obs	From	UpTo
1	17221003G	2	Cap Oil Filler			
2	17421014G.1	7	Bolt W/Washer (Generator)			
3	17A21009	1	Cover,rocker			
4	17A10013	1	Exhuast Pipe Braket			
5	17821012	8	Bolt,W/Washer			
6	17A21007	1	Set Hose, Breather			
7	17521007	1	Clip,Hose			
8	17A21008	1	Hose, Breather			
9	17A21011	1	Clamp			
10	17A21012	1	Clamp			
11	17A21010	1	Hose, Breather			
12	17521010	1	Gasket,Rocker Cover			

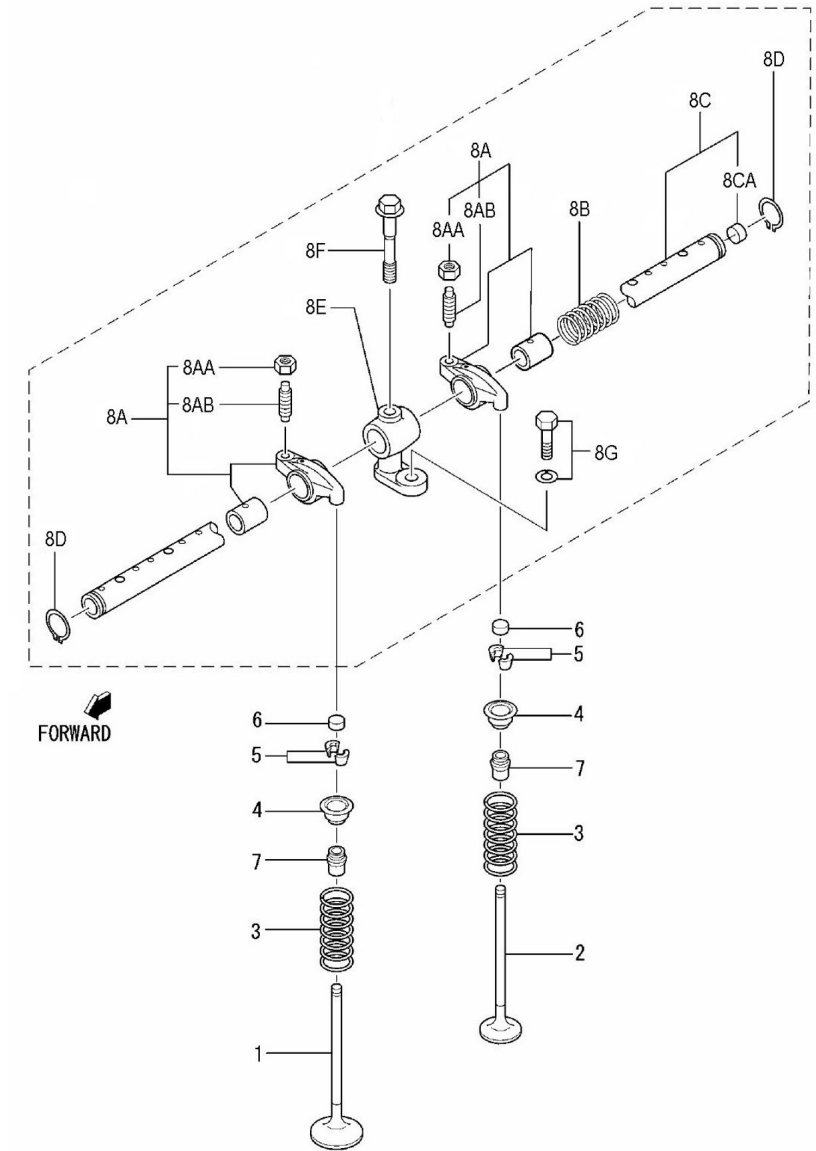


Genset 68 GT/GTC & 84 GTA/GTAC TAC

Engine Body

D GP01 1 3 Valve Drive

Fig.	Ref.	Qty.	Descr.	Obs	From	UpTo
1	17422055.1	6	Valve,Inlet			
2	17422056	6	Exhaust Valve			
3	13322028	12	Spring, valve outler			
4	17422058	12	Retainer,Upper			
5	17122059.1	24	Cotter,Valve			
6	13322024	12	Cap			
7	17422054	12	Seal,Valve Stem			
8A	17422142.1	12	Rocker Assy			
8AA	17122060	12	Nut			
8AB	17122044	12	Screw Adjusting			
8B	17422047G.1	5	Spring,Rocker			
8C	17522146	1	Shaft,Assy,Rocker			
8CA	13322023	2	Cap, Sealing			
8D	17222050	2	Ring, SNAP			
8E	17422048	6	Bracket,Rocker Shaft			
8F	17422053	6	Bolt,Rocker Bracket			
8GA	52102258	6	Bolt DIN 933 M8-25 8.8			
8GB	53033008	6	Washer GROWER DIN 127-8			

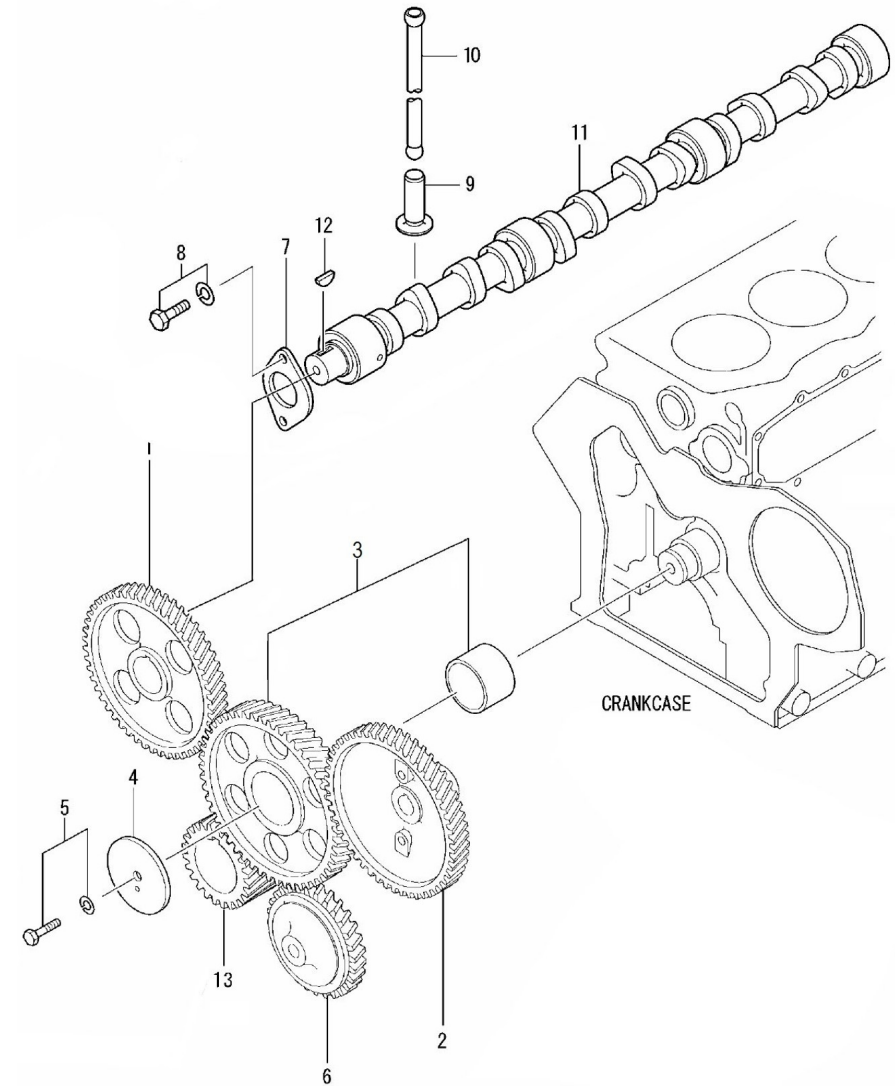


Genset 68 GT/GTC & 84 GTA/GTAC TAC

Engine Body

D GP01 1 4 Timing Parts

Fig.	Ref.	Qty.	Descr.	Obs	From	UpTo
1	17422037	1	Gear,CamShaft Z=46			
2	17A22040	1	Gear, inj.pump			
3	17A22038	1	Gear, Assy idler			
4	17122032	1	Plate, thrust			
5	17720010	1	Bolt,W/Washer			
6	17422066	1	Gear,Oil Pump Z=31			
7	17522075	1	Plate,Thrust			
8	17422037G.1	2	Bolt W/Washer (Generator)			
9	17122061	12	Tappet			
10	17122041	12	Rod, push			
11	17A22035	1	Camshaft			
12	13322034	1	Key Woodruff			
13	17822019	1	Gear, CrankShaft			

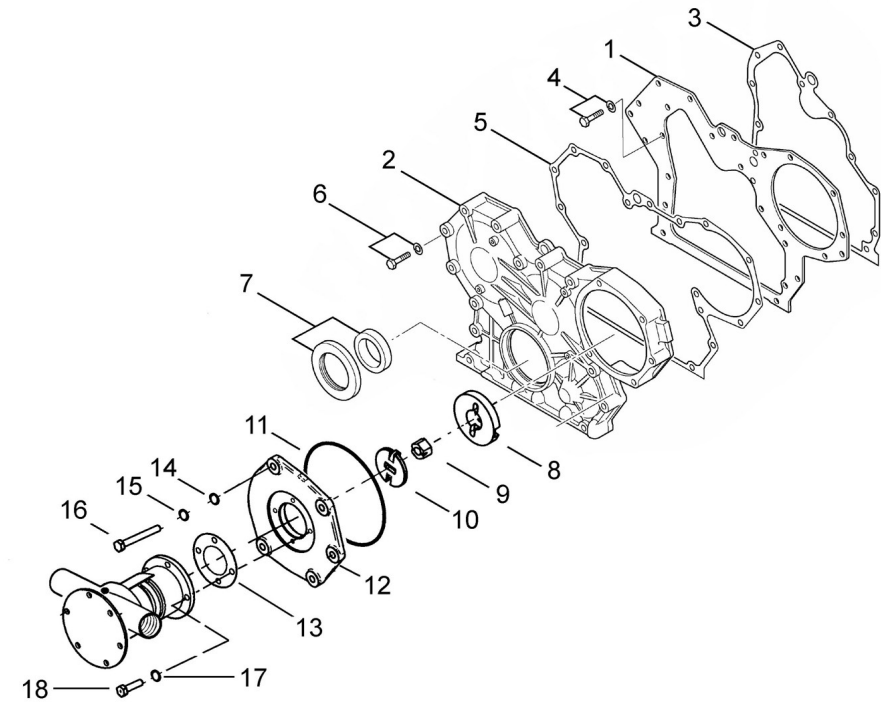


Genset 68 GT/GTC & 84 GTA/GTAC TAC

Engine Body

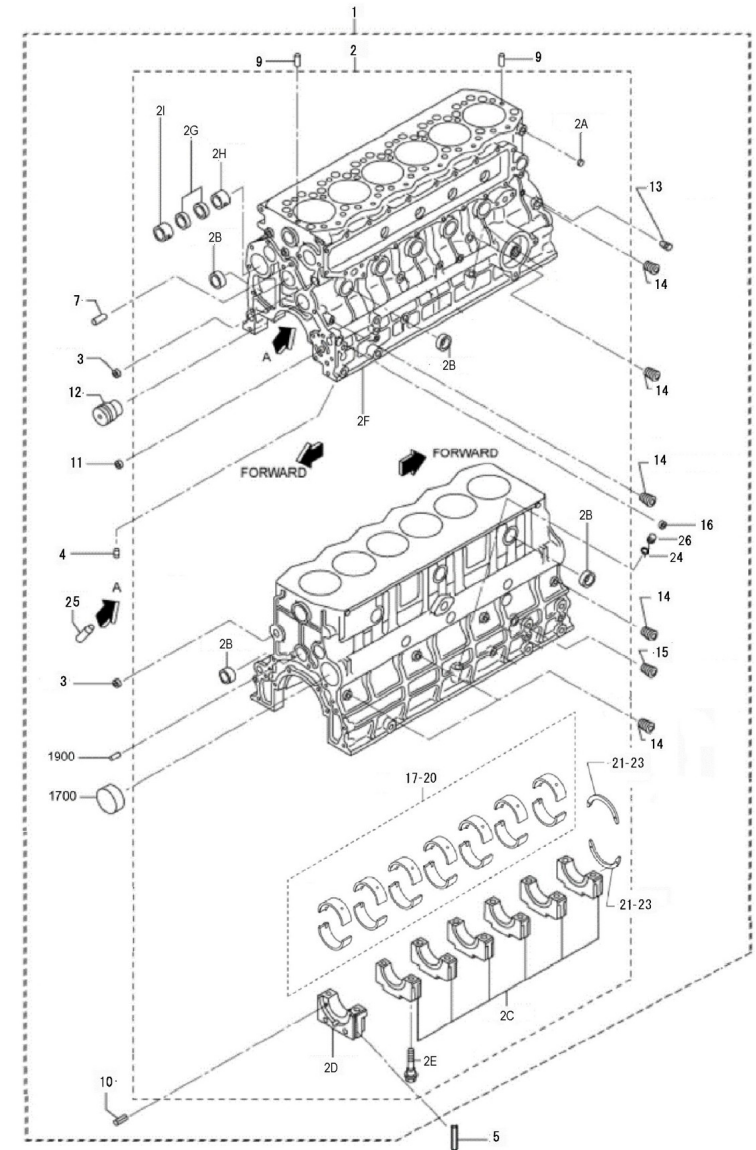
D GP01 1 5 Gear Case

Fig.	Ref.	Qty.	Descr.	Obs	From	UpTo
1	17A20024	1	Plate, Front			
2	17420035G	1	Case,TIMING Gear			
3	17420018	1	Gasket,Front Plate			
4	17422037G.1	5	Bolt W/Washer (Generator)			
5	17420040	1	Gasket,Gear			
6	17520047	13	Bolt,W/Washer			
7	17420039.1	1	Seal Assy,Oil			
8	17A11026	1	Coupling Drive			
9	17422071	1	Nut,INJ.Pump			
10	15310072	1	CrossHead Jaw Coupling			
11	17420047	1	O-Ring D. 140X2			
12	17410010	1	Block Water Pump			
13	13310013	1	Gasket,water pump			
14	51030008	5	Washer DIN 125-8			
15	53033008	5	Washer GROWER DIN 127-8			
16	52101266	5	Bolt DIN 931 M8-65 8.8			
17	51030006	4	Washer DIN 125-6			
18	52103156	4	Bolt DIN 912 M6-16 8.8			



D GP01 1 6 **Crankcase**

Fig.	Ref.	Qty.	Descr.	Obs	From	UpTo
1	17A20001	1	Block Assy,CYL			
2	17A20002	1	Block SUB Assy CY			
2B	13320006	14	Cap, Sealing			
2E	17420009	14	Bolt Bearing Cap			
2G	13320002	2	Bushing,camShaft n°2			
2H	17120015	1	BUSING,camShaft r			
2I	17520015	1	Bushing,CamShaft,F			
3	13320007	7	Cap, Sealing			
4	(*)	12	Not available			
5	17420112	2	Seal,Valve			
6	17420013	1	Plug,Cam			
7	17420036	2	Pin,Dowel			
8	13320025	2	Pin			
9	17120019	2	Pin, dowel			
10	17420012	6	Pin,Spring			
11	17420011G.3	1	Bushing			
12	17420034	1	Shaft,IDLER			
13	17120022	1	Plug, tapered			
14	17820011	5	Plug, Tapered			
15	17620024.4	1	Plug TAPER			
16	17420027G.1	2	Plug,TAPPERED (Generator)			
17	17520003	1	Bearing Set,MAIN STD			
18	17520004	1	Bearing Set,MAIN -0,25			
19	17520005	1	Bearing Set,MAIN -0,50			
20	17520006	1	Bearing Set,MAIN -0,75			
21	17420109	3	Plate,THRUST.C/S STD			
22	17420110	3	Plate,THRUST.C/S +0,15			
23	17420111	3	Plate,THRUST.C/S +0,30			
24	17120058	1	O-Ring D. 13X2,5			
25	17A20003	6	Valve, Check STD			
26	17120059	1	Plug			

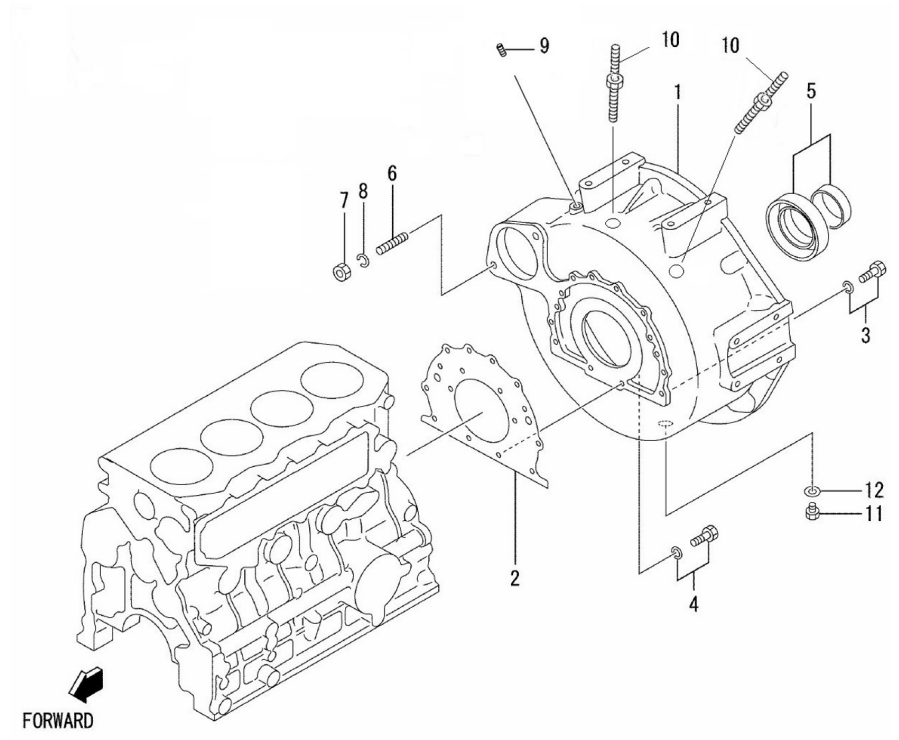


Genset 68 GT/GTC & 84 GTA/GTAC TAC

Engine Body

D SM81GTDN 01 7 Rear Plate

Fig.	Ref.	Qty.	Descr.	Obs	From	UpTo
1	17A20007G.3	1	Flyweel Housing Pickup			
2	17420025	1	Gasket,Rear			
3	17327129.2	10	Bolt			
4	17420028G.1	2	Bolt,W/Washer (Generator)			
5	13320063	1	Seal Oil			
6	13320067	2	Stud			
7	17827003	2	Nut			
8	MHF251510000	2	WASHER, SPRING			
9	52211454	1	Stud ALLEN DIN913 M16x1,5-16			
10	60972519	2	Magnetic Speed Sensor			
11	13224045	1	Plug			
12	56000077	1	Washer 18-23-1,5			

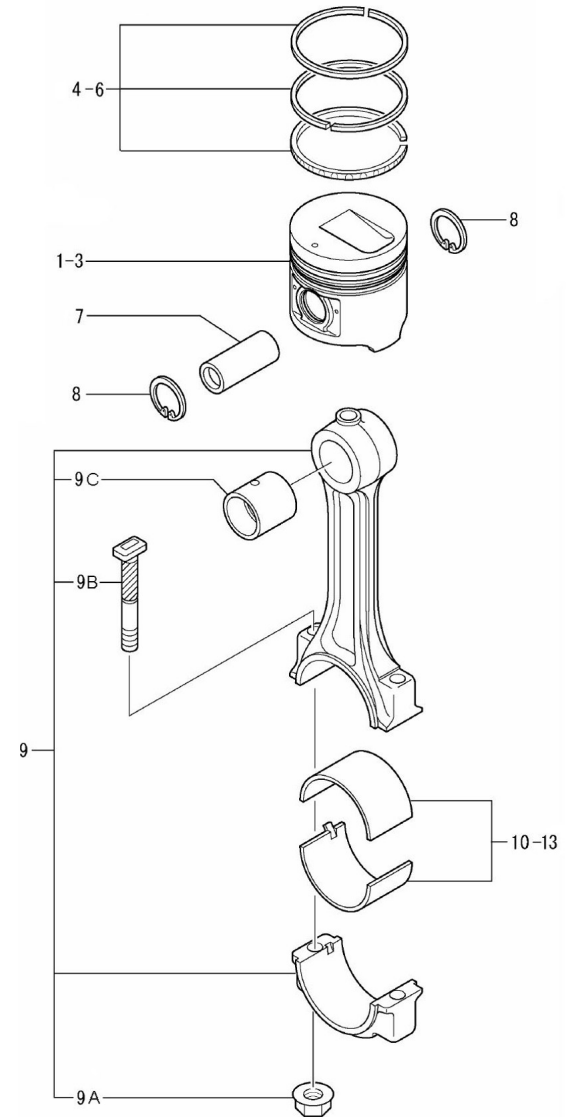


Genset 68 GT/GTC & 84 GTA/GTAC TAC

Engine Body

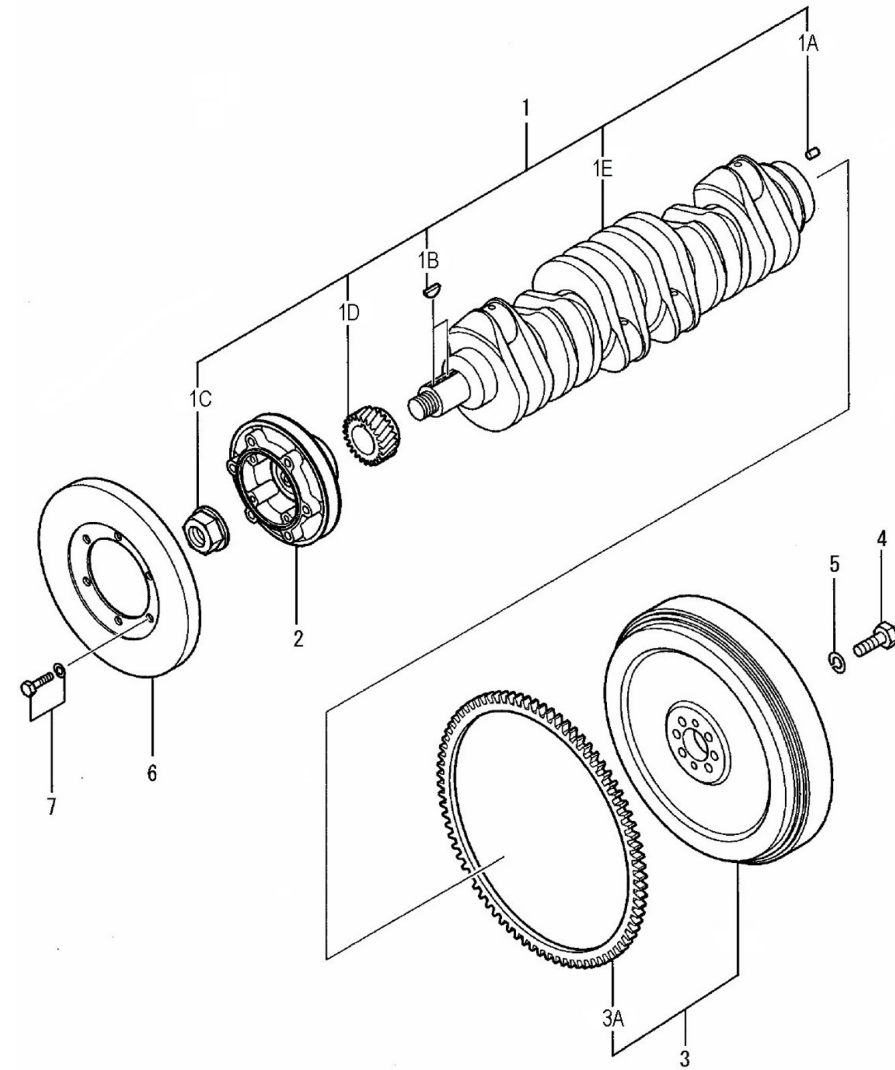
D GP01 1 8 Piston & Connecting Rod

Fig.	Ref.	Qty.	Descr.	Obs	From	UpTo
1	17A22001	6	Piston STD			
2	17A22002	6	Piston +0,25			
3	17A22003	6	Piston +0,50			
4	17422006	6	Ring Set,Piston STD.			
5	17422007	6	Ring,Piston O.S 0,25			
6	17422008	6	Ring,Piston O.S 0,50			
7	17422009	6	Pin,Piston			
8	17422010	12	Ring,Snap			
9	17822012	6	Rod Assy. Connecting			
9A	17822011	12	Nut			
9B	17122013	12	Bolt,connecting rod			
9C	17422033	6	Bushing,Con-Rod			
10	17522014	1	METAL Set,CONROD STD			
11	17522015	1	METAL Set,CONROD -0,25			
12	17522016	1	METAL Set,CONROD -0,50			
13	17522017	1	METAL Set,CONROD -0,75			



D GP01 1 9 Crankshaft & Flywheel

Fig.	Ref.	Qty.	Descr.	Obs	From	UpTo
1	17A22012	1	CrankShaft Assy			
1A	13322059	2	Pin			
1B	13322034	2	Key Woodruff			
1C	17A22026	1	Nut Crankshaft			
1D	17822019	1	Gear, CrankShaft			
1E	17A22013	1	CrankShaft			
2	17422024G	1	Pulley,CrankShaft (Generator)			
3	17522027	1	Flywheel Assy			
3A	17422029	1	Gear, Ring Z=122			
4	13322065	6	Bolt			
5	MHF251512000	6	WASHER,SPRING			
6	17522076	1	Damper,TORSIONAL			
7	17522077	6	Bolt,W/Washer			

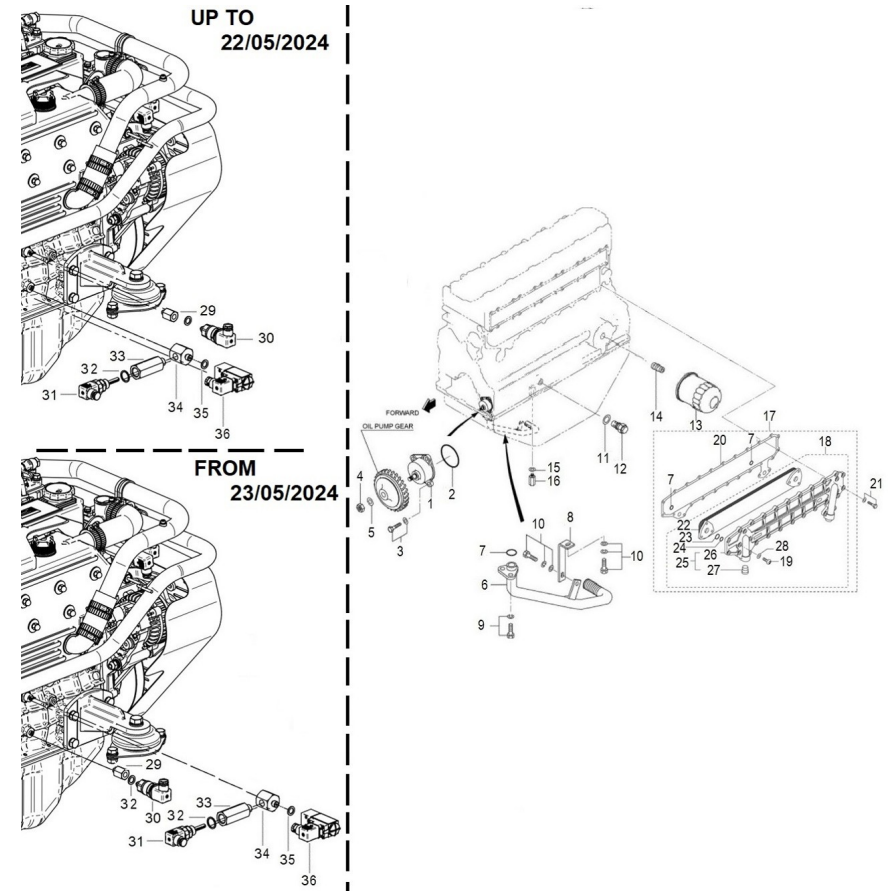


Genset 68 GT/GTC & 84 GTA/GTAC TAC

Engine Body

D SM81GTDN 01 10 Oil System

Fig.	Ref.	Qty.	Descr.	Obs	From	UpTo
1	17524040	1	Pump Assy,Oil			
2	17424055	1	O-Ring D. 60X2			
3	17421012G.1	4	Bolt W/Washer (Generator)			
4	13122045	1	Nut			
5	MHF251510000	1	WASHER, SPRING			
6	17524052	1	STrainer,Oil			
7	17424060	3	O-Ring D. 22X2,4			
8	17524053	1	STAY,Oil STrainer			
9	17422037G.1	2	Bolt W/Washer (Generator)			
10	52102256	2	Bolt DIN 933 M8-16 8.8			
11	17124072	1	Valve, Assy			
12	17424063	1	Gasket			
13	17524051	1	Oil Filter Element SM-75/90/105			
14	17424054	1	Union,Oil Filter			
15	17420017	1	Gasket			
16	17824071	1	Valve, Assy			
17	17A22109	1	Ensemble refroid. Huile			
18	17A22110	1	Ensemble refroid. Huile			
19	17A22118	6	Bolt			
20	17524035	1	Gasket,Oil Cooler			
21	17A22116	25	Bolt			
22	17A22114	1	Élément Refroid. Huile			
23	17520072	2	O-Ring D. 42X3,4			
24	17520017	2	O-Ring D. 30X3,4			
25	17A22111	1	Corp Refroidisseur Huile			
26	(*)	1	Not available			
27	17A22117	2	Plug			
28	17524007	6	Gasket			
29	17A17035	1	Conversion Adapter G1/4 a G1/8 BSPT			22/05/2024
29	17A17041	1	Transmitter Adapter G1/4 to G1/8 BSPT		23/05/2024	
30	60994076	1	Marine Approved Pressure Transmitters			

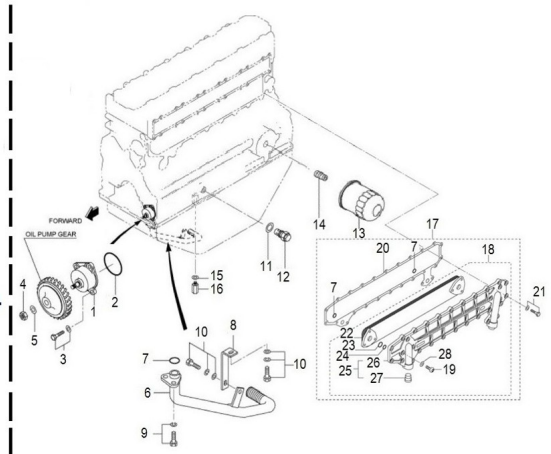
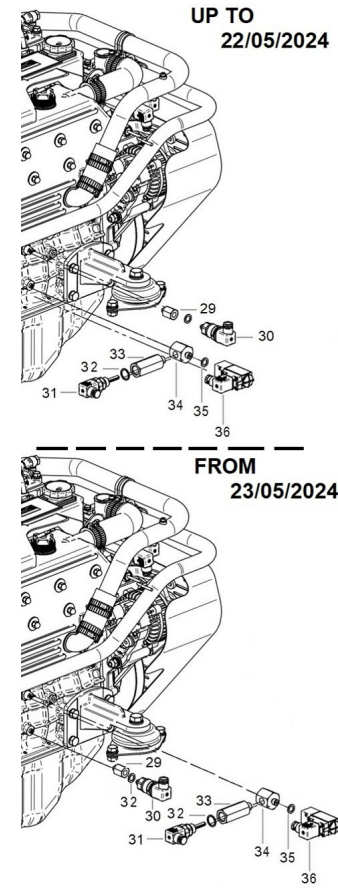


Genset 68 GT/GTC & 84 GTA/GTAC TAC

Engine Body

D SM81GTDN 01 10 Oil System

Fig.	Ref.	Qty.	Descr.	Obs	From	UpTo
31	60994075	1	Temperature Sensor			
32	56000083	1	Washer 21-26-1,5			
33	17A17028	1	Conversion Adapter G1/2 a 3/8			
34	17A17037	1	Conversion Adapter R 1/8 A G1/4 G1/8			22/05/2024
34	17A17040	1	Adapter Transmitter G1/8 to G1/4		23/05/2024	
35	56000067	1	Washer 13-20-1,5			
36	6097A072	1	Compact Pressure Switch			

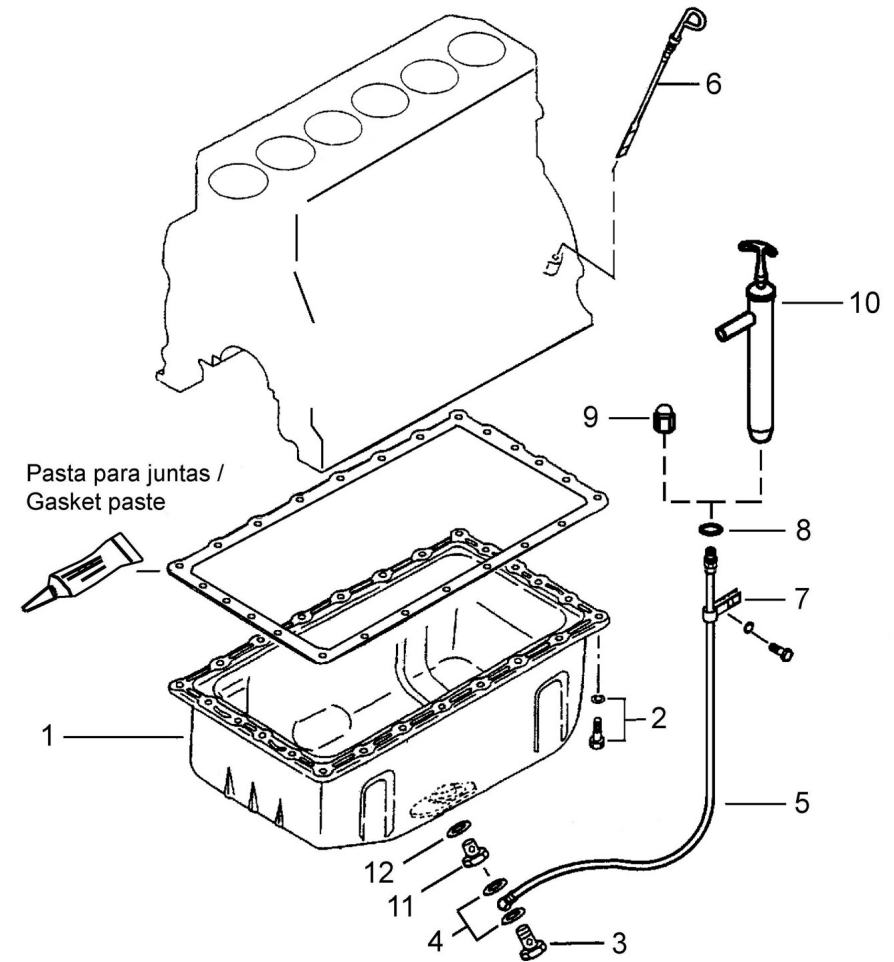


Genset 68 GT/GTC & 84 GTA/GTAC TAC

Engine Body

D GP01 1 11 Oil Pan

Fig.	Ref.	Qty.	Descr.	Obs	From	UpTo
1	17520030	1	Pan Assy,Oil			
2	17821012	30	Bolt,W/Washer			
3	12814051	1	Screw,eye			
4	56000069	2	Washer 14-20-1,5			
5	18014021	1	Extraction Hose			
6	17520029	1	Gauge Oil Level			
7	17214022	1	Bracket, Pipe			
8	56000217	1	Washer 13-20-3			
9	16514020	1	Plug			
10	14714001	1	Oil Extraction Pump			
11	17514001	1	Plug			
12	56000083	1	Washer 21-26-1,5			

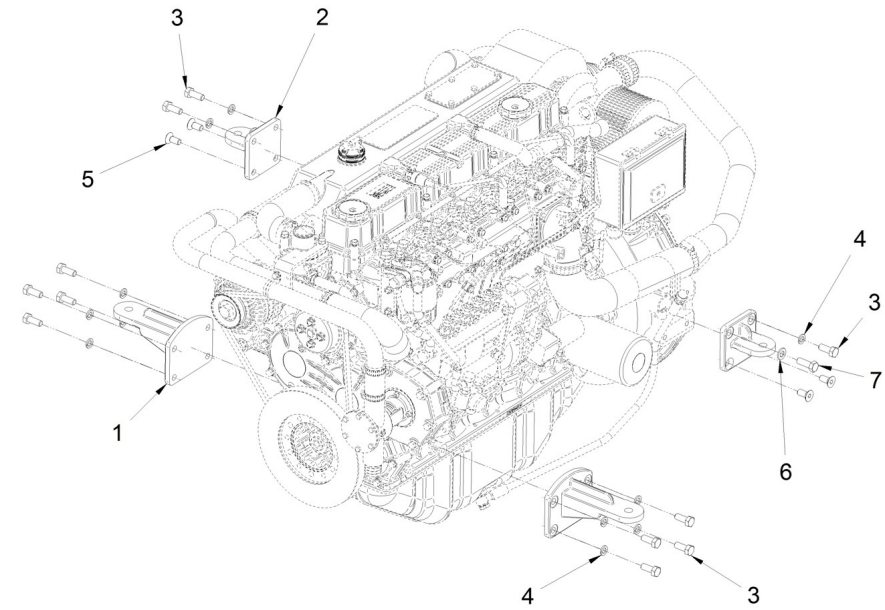


Genset 68 GT/GTC & 84 GTA/GTAC TAC

Engine Body

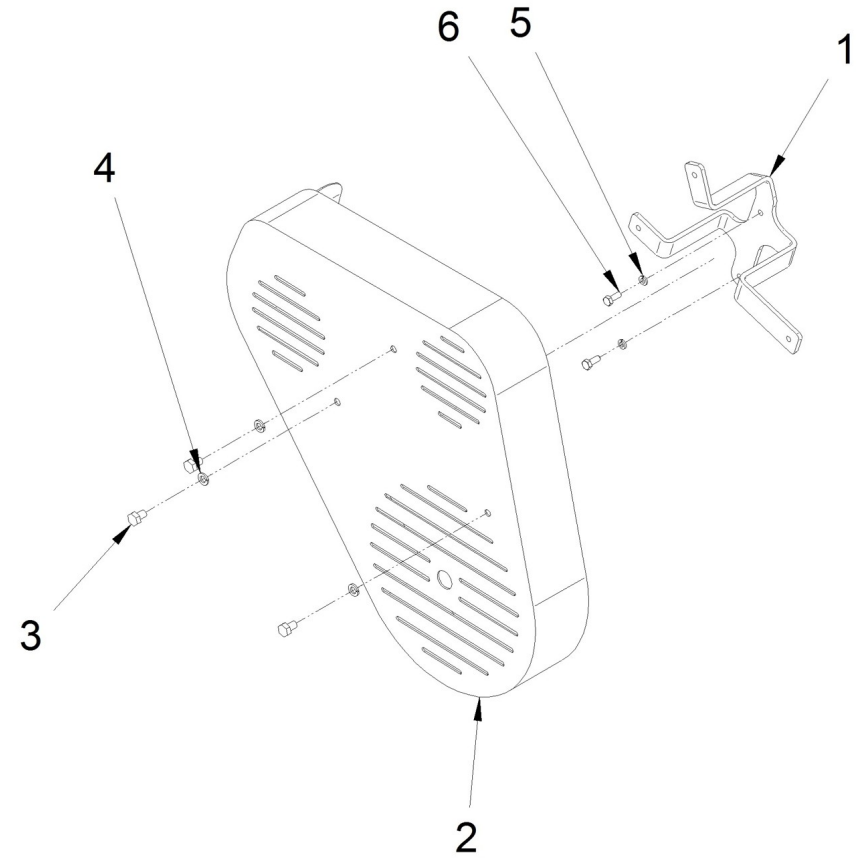
D GP01 1 12 Engine Brackets

Fig.	Ref.	Qty.	Descr.	Obs	From	UpTo
1	17410001.2	2	Front Bracket			
2	17510003	2	REAR Bracket			22/05/2024
2	17510006	2	Rear Bracket		23/05/2024	
3	52102359	11	Bolt DIN 933 M12-30 8.8			
4	53033012	11	Washer Grower DIN 127-12			
5	53105359	4	Bolt DIN 7991 M12-30 12.9			
6	51030012	1	Washer DIN 125-12			
7	52102360	1	Bolt DIN 933 M12-35 8.8			



D 17510022.5R Drive Belt Guard For Genset Without Cabin

<i>Fig.</i>	<i>Ref.</i>	<i>Qty.</i>	<i>Descr.</i>	<i>Obs</i>	<i>From</i>	<i>UpTo</i>
1	17510023	1	Drive Belt Guard Bracket			
2	17510020.5	1	Drive Belt Guard			
3	52102255	3	Bolt DIN 933 M8-12 8.8			
4	53033008	3	Washer GROWER DIN 127-8			
5	53033006	2	Washer GROWER DIN 127-6			
6	52102156	2	Bolt DIN 933 M6-16 8.8			

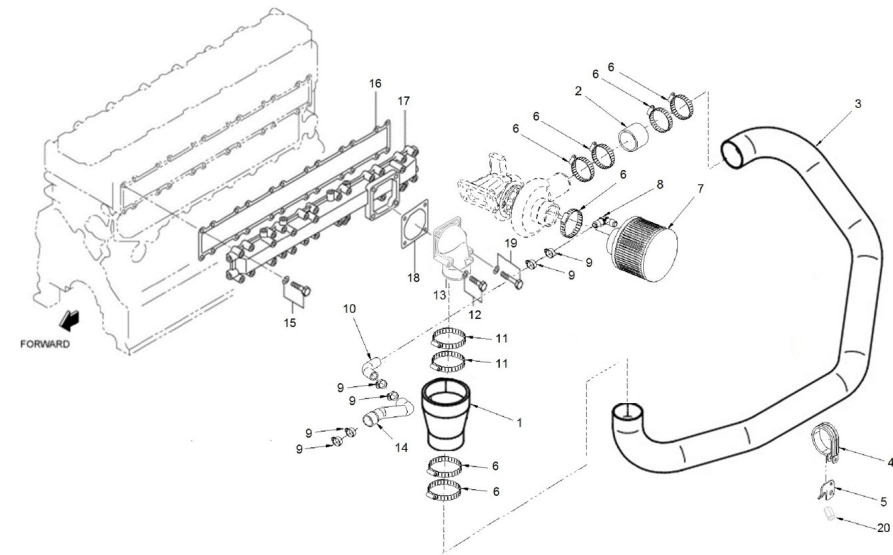


Genset 68 GT/GTC & 84 GTA/GTAC TAC

Inlet & Exhaust

D SM81GTDN 02 1 Inlet


Fig.	Ref.	Qty.	Descr.	Obs	From	UpTo
1	17A10030	1	Silicone Hose Straight Reducers			
2	17A10034	1	Silicone Hose Straight D50 L65			
3	17A10017	1	Air Pipe D60.3			
4	59071604	1	Clamp RSGU 1 60/20 W1			
5	17A10033	1	Flat Bracket 3 holes			
6	54082050	7	Clamp DIN 3017 50-70/12 W4			
7	17810012	1	Air Filter			
8	17810013	1	Elbow,Frared Tube			
9	54081016	6	Clamp DIN 3017 16-27/9 W4			
10	17A11018	1	Elbow			
11	54082060	2	Clamp DIN 3017 60-80/12 W4			
12	17421012G.1	2	Bolt W/Washer (Generator)			
13	17521029	1	Elbow,Air Inlet			
14	17A21010	1	Hose, Breather			
15	17421014G.1	24	Bolt W/Washer (Generator)			
16	17521032	1	Gasket,IN.MANIFOld			
17	17A24065	1	COUV.Collecteur			
18	17421042	1	Gasket			
19	17420062G.1	2	Bolt,W/Washer (Generator)			
20	17A10029	1	Shim			

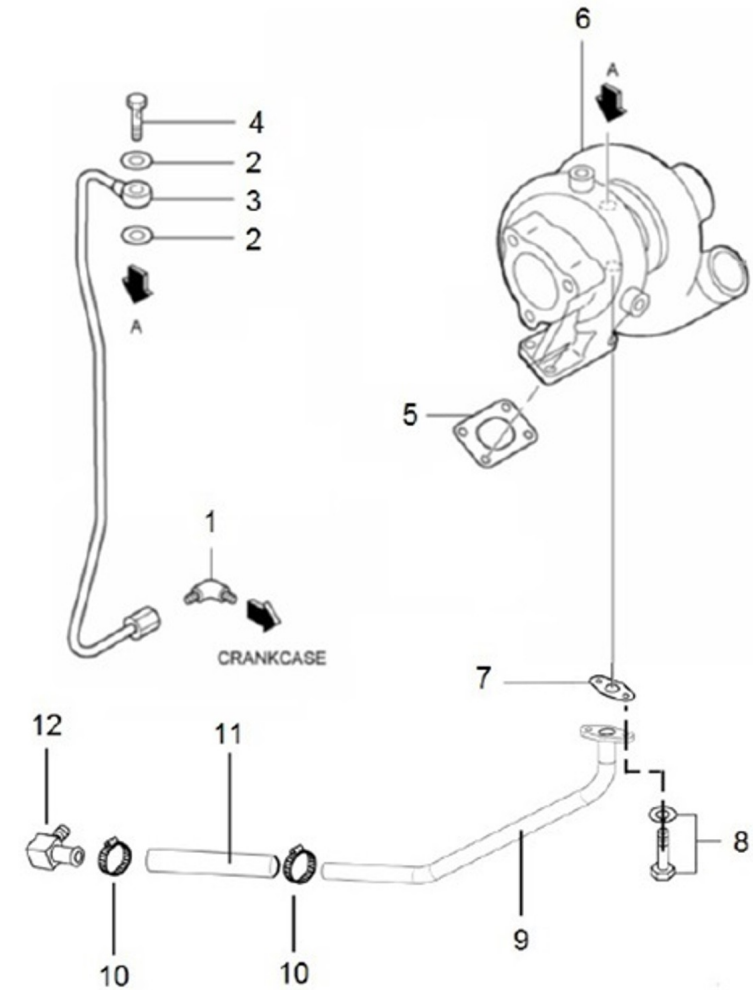


Genset 68 GT/GTC & 84 GTA/GTAC TAC

Inlet & Exhaust

D SM81GTDN 02 2 Turbocharger

Fig.	Ref.	Qty.	Descr.	Obs	From	UpTo
1	17121016	1	Plug, drain			
1	17712007	1	Elbow 1/8" GAS			
2	17124056	2	Gasket			
3	17A12006	1	Oil Turbocharged Pipe			
4	17828006	1	Bolt, Eye			
5	17A13002	1	Exhaust Gasket			
6	17A28002	1	Turbocharger, Assy			
7	17712004	1	Gasket			
8	52102156	2	Bolt DIN 933 M6-16 8.8			
9	17A12007	1	Oil Turbo Pipe			
10	54081020	2	Clamp DIN 3017 20-32/9 W4			
11	17728007	1	Hose,Oil			
NS	17A18011	1	Turbo Blanket Cover Heat Shield			

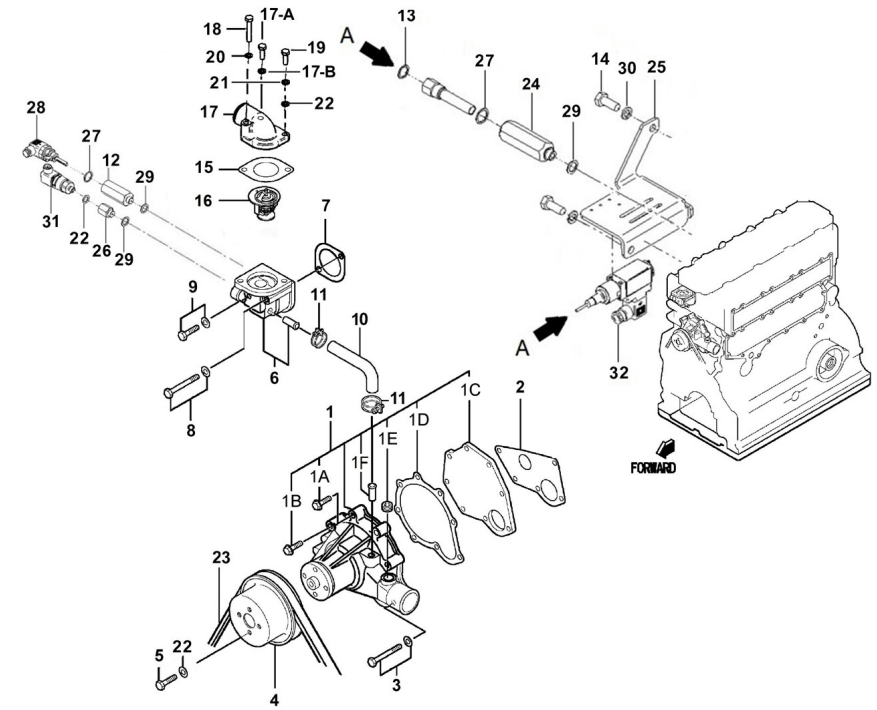


Genset 68 GT/GTC & 84 GTA/GTAC TAC

Cooling System

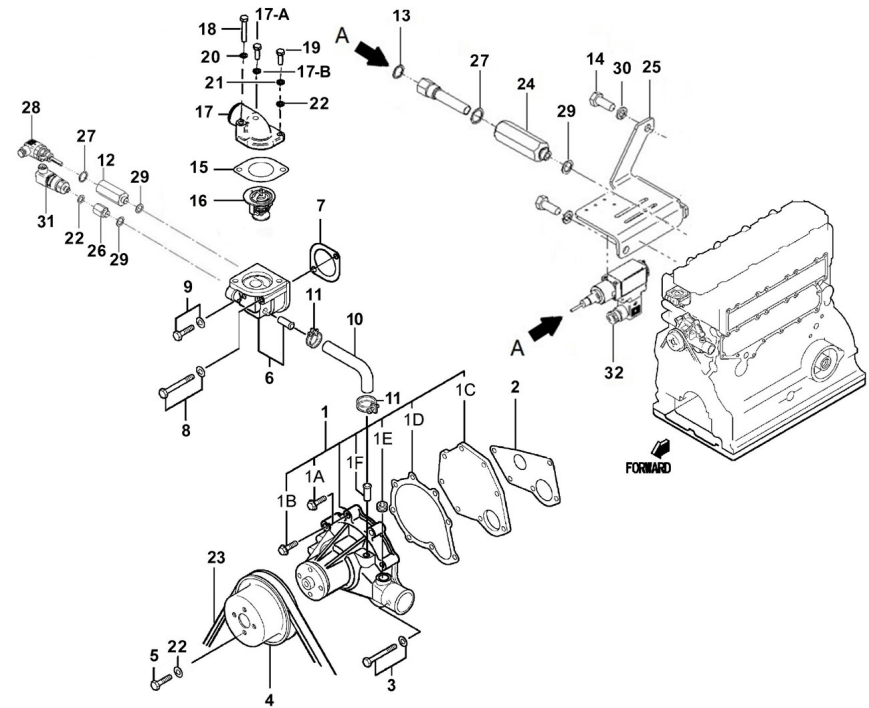
D SM81GTDN 03 1 Water Pump

Fig.	Ref.	Qty.	Descr.	Obs	From	UpTo
1	17421020G	1	Fresh Water Assy (tube 10)			
1A	17122051	1	Bolt, w/washer			
1B	MHF180508035	2	BOLT, WASHER ASSY			
1C	17421043	1	Cover,Water Pump			
1D	17421022	1	Gasket,Pump Cover			
1E	(*)	2	Not available			
1F	(*1)	1	Not available			
2	17421041	1	Gasket,Side Cover			
3	17421039G.1	5	Bolt,W/Washer (Generator)			
4	17421021G	1	Pulley,Water Pump			
5	52102257	4	Bolt DIN 933 M8-20 8.8			
6	17421037	1	Case Assy,Thermostat			
7	17421016G.2	1	Gasket (Generator)			
8	17821038	1	Bolt, Flange			
9	17821039	1	Bolt, Flange			
10	17421025	1	Hose,BY-PASS			
11	17121036	2	Clamp, hose			
12	17A17031	1	Conversion Adapter G1/2 A 5/8 UNF			
13	56000077	1	Washer 18-23-1,5			
14	52102360	1	Bolt DIN 933 M12-35 8.8			
15	17821031	1	Gasket			
16	17121027	1	Thermostat			
17	17111020	1	Fitting,water outlet			
17A	13811035	1	Bolt,bleed			
17B	56000053	1	Washer 6-10-1,5			
18	52101263	1	Bolt DIN 931 M8-50 8.8			
19	52102259	1	Bolt DIN 933 M8-30 8.8			
20	53038008	1	Washer DIN 6798-A 8			
21	51030005	1	Washer DIN 125-5			
22	53033008	4	Washer GROWER DIN 127-8			
23	17421028G	1	Belt Type BX 44 1160			



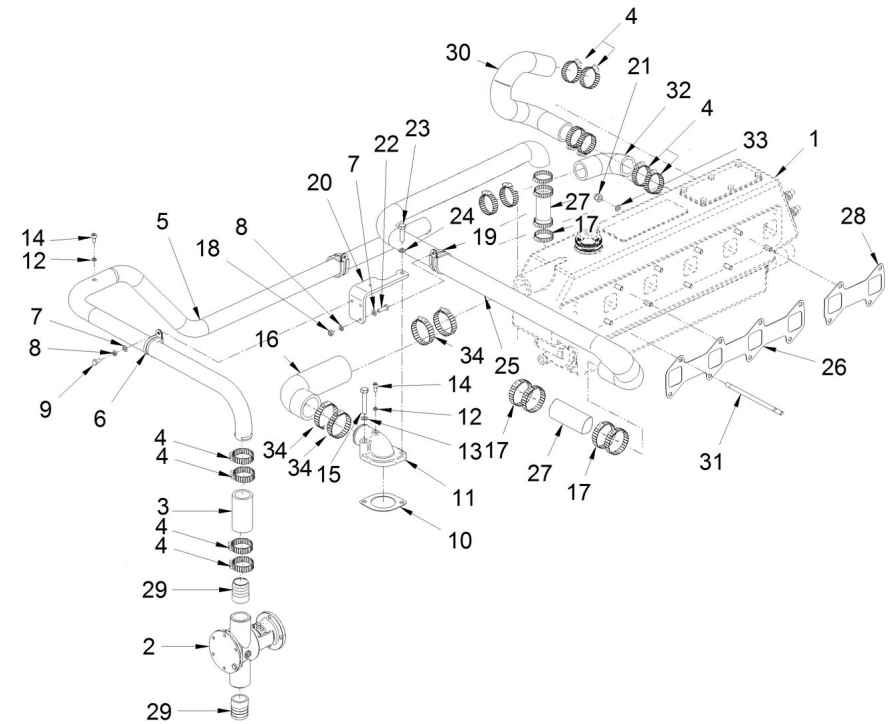
D SM81GTDN 03 1 Water Pump

Fig.	Ref.	Qty.	Descr.	Obs	From	UpTo
24	17A17033	1	Conversion Adapter 5/8 UNF			
25	17A17034	1	Sensor Bracket			22/05/2024
25	17A17043	1	Sensor Bracket		23/05/2024	
26	17A17030	1	Conversion Adapter G1/4 a 5/8"SAE			
27	56000083	2	Washer 21-26-1,5			
28	60994075	1	Temperature Sensor			
29	56000073	3	Copper Washer 16-23-1,5			
30	53033012	1	Washer Grower DIN 127-12			
31	60994076	1	Marine Approved Pressure Transmitters			
32	6097A075	1	Thermostat DNV 95° Trafag			



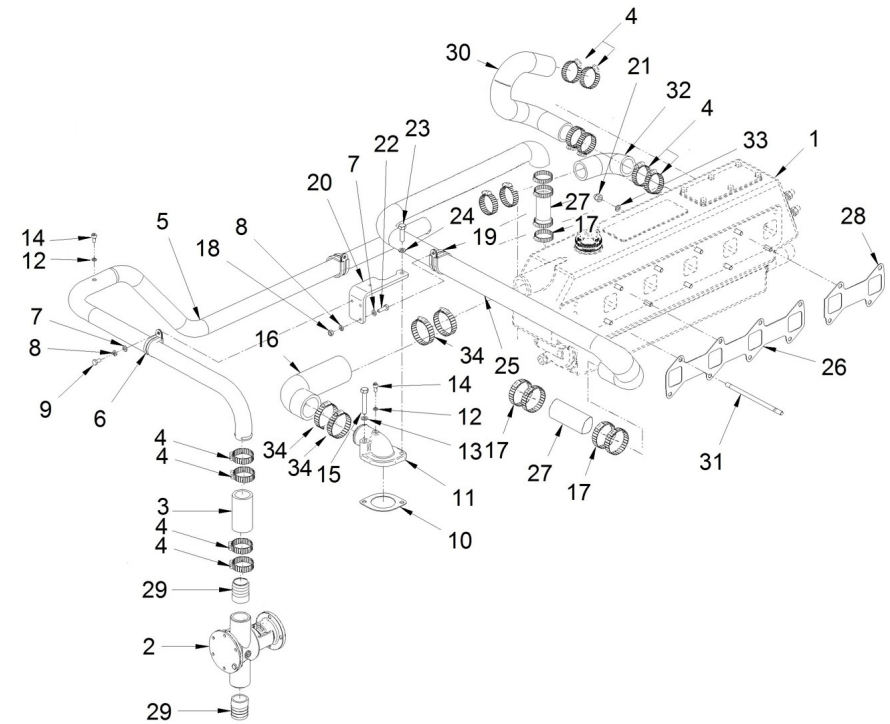
D SM81GTDN 03 2 Cooler Pipes

Fig.	Ref.	Qty.	Descr.	Obs	From	UpTo
1	17A11000DNVR	1	Water Cooler Assy (R)			
2	37811000	1	Cross Brace Pump 1" SM-82/94 Gen.SM-81			
3	13611038	1	Pipe 30-40-75			
4	54082025	12	Clamp DIN 3017 25-40/12 W4			
5	17A11011	1	Brass Pipe D32			
6	59071324	1	Clamp RSGU 1 32/15 W1			
7	51030006	2	Washer DIN 125-6			
8	53033006	2	Washer GROWER DIN 127-6			
9	52102155	2	Bolt DIN 933 M6-12 8.8			
10	17111021	1	Gasket			
11	17111020	1	Fitting,water outlet			
12	56000053	2	Washer 6-10-1,5			
13	53038008	1	Washer DIN 6798-A 8			
14	13811035	2	Bolt,bleed			
15	52101263	1	Bolt DIN 931 M8-50 8.8			
16	17411013	1	Thermostat Water Outlet Elbow			
17	54082032	8	Clamp DIN 3017 32-50/12 W4			
18	52120006	1	Nut DIN 934 M6 8.8			
19	59071383	1	Clamp TYP.1 38/15 W1			
20	17A11014	1	Bracket			
21	55122008	12	Nut DIN 1587 M8			
22	52102157	1	Bolt DIN 933 M6-20 8.8			
23	52102259	1	Bolt DIN 933 M8-30 8.8			
24	53033008	1	Washer GROWER DIN 127-8			
25	17A11022	1	Pipe,from cooler to engine D38 e2			
26	17421035	1	Gasket,Exhaust Manifold			
27	15211053	2	Pipe 38-50-100			
28	17521035	1	Gasket			
29	60180007	2	Outlet Coupling			
30	17A11034	1	Elbow Hose			
31	17411015	12	Stud			



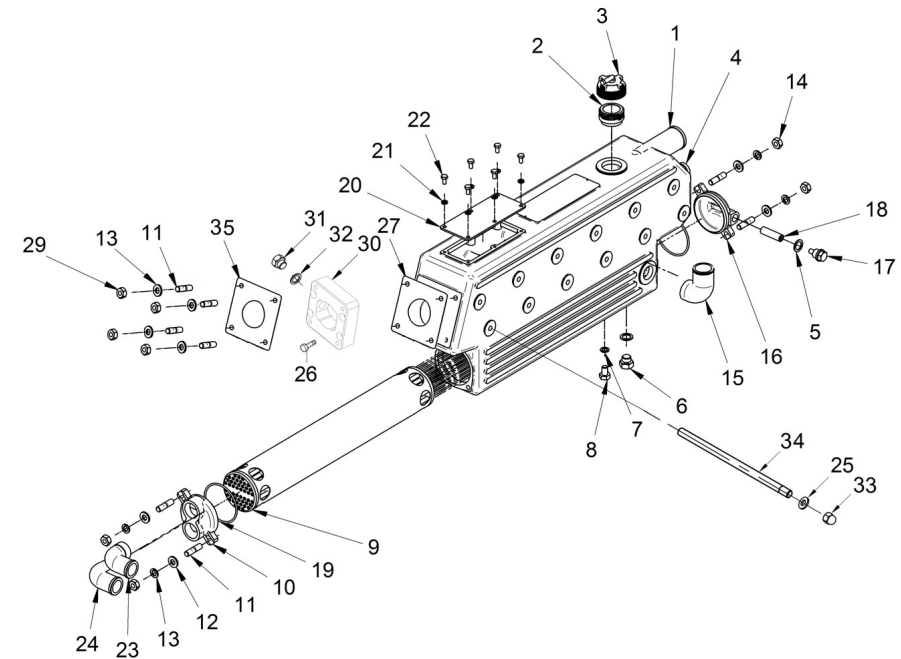
D SM81GTDN 03 2 Cooler Pipes

Fig.	Ref.	Qty.	Descr.	Obs	From	UpTo
32	17411035	1	Elbow Rubber			
33	56000057	12	Washer 8-13-1,5			
34	54082040	4	Clamp DIN 3017 40-60/12 W4			
NS	17A10037	1	Water Cooler Shield			



D 17A1100DNVR Water Cooler Assy SM-81 TAC (R)

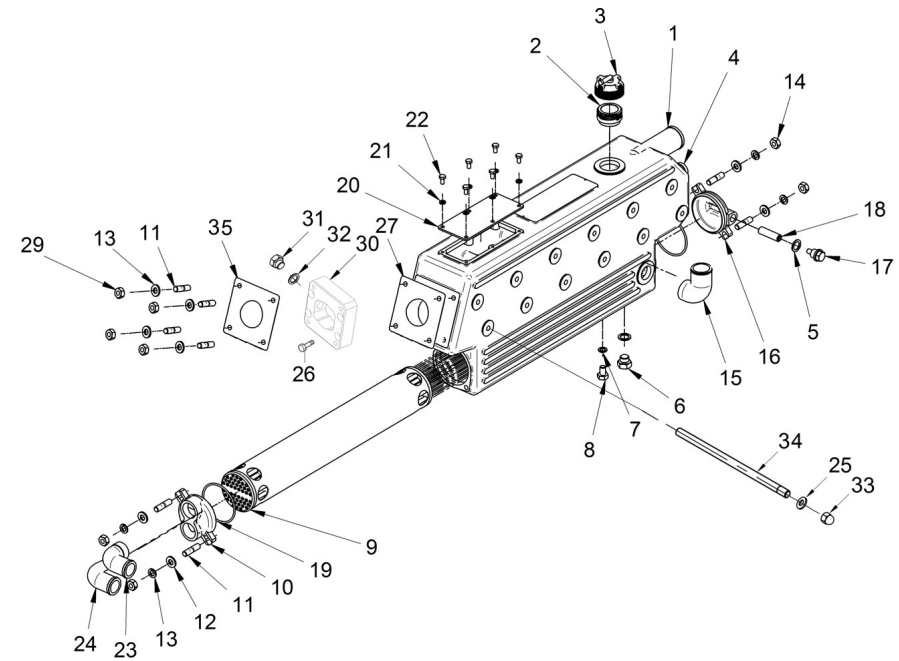
Fig.	Ref.	Qty.	Descr.	Obs	From	UpTo
1	17A11001	1	Body, Water Cooler			
2	17411004	1	Adapter, MTA Cap			
3	13811010	1	Cap			
4	12113092	1	Plug			
5	56000073	2	Copper Washer 16-23-1,5			
6	12111076	1	Plug			
7	56000061	1	Washer 10-16-1,5			
8	54102306	1	Bolt DIN 933 M10-16 INOX.			
9	19011004	1	Tubular Bundle			
10	17411003	1	Water Cooler Cover			
11	16511007	8	Stud			
12	51030010	4	Washer DIN 125-10			
13	53033010	8	Washer GROWER DIN 127-10			
14	54120010	4	Nut DIN 934 M10			
15	17111011	1	Elbow 1 1/8"			
16	18011002	1	Water Cooler Cover			
17	18011009	1	Anode Plug			
18	18011031	1	Engine Anode 45 mm M.8			
19	18011008	2	O-Ring D. 72X3			
20	18211002	1	Cover			
21	53033006	6	Washer GROWER DIN 127-6			
22	52102155	6	Bolt DIN 933 M6-12 8.8			
23	14711021	1	Elbow N°1			
24	14711030	1	Brass Elbow Connector			
25	56000057	12	Washer 8-13-1,5			
26	52103309	4	Bolt DIN 912 M10-30 8.8			
27	16513002	1	Exhaust Elbow Gasket			
29	55120110	4	Nut DIN 934 M10			
30	17A17027	1	Sensor Spacer			
31	19411027	1	Plug			
32	56000077	1	Washer 18-23-1,5			



D 17A1100DNVR

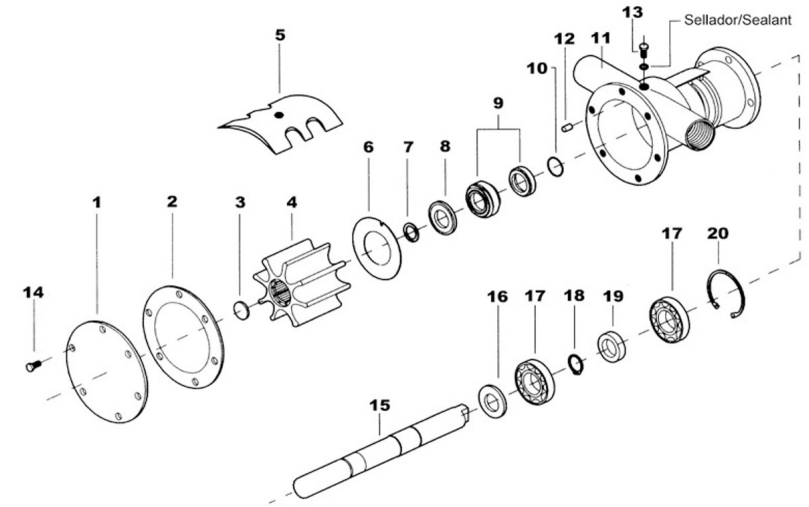
Water Cooler Assy SM-81 TAC (R)

<i>Fig.</i>	<i>Ref.</i>	<i>Qty.</i>	<i>Descr.</i>	<i>Obs</i>	<i>From</i>	<i>UpTo</i>
33	55122008	12	Nut DIN 1587 M8			
34	17411015	12	Stud			
35	17A13002	1	Exhaust Gasket			



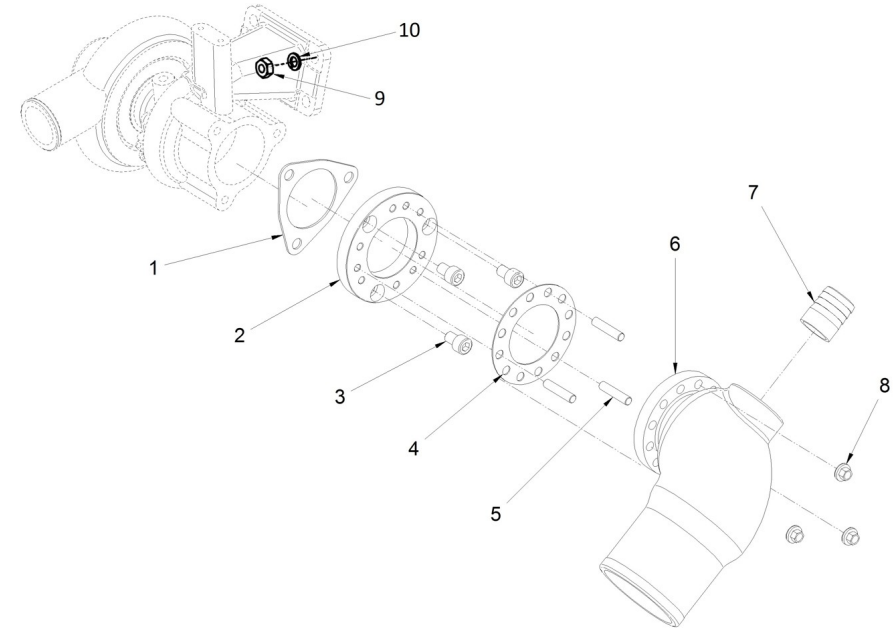
37811000 **Cross Brace Pump 1" SM-82/94 Gen.SM-81**

Fig.	Ref.	Qty.	Descr.	Obs	From	UpTo
1	34711002	1	Cover Pump			
2	34711003	1	Gasket Cover			
3	34711041	1	Impeller Plug			
4	34711008	1	1" Impeller			
5	37811005	1	Cam 6,5 mm			
6	34711026	1	Plate,Friction			
7	54040016	1	CIRclip E-16			
8	36511018	1	Washer,seal			
9	36511019	1	Seal			
10	33311013	1	O-Ring D. 15X2			
11	36511001	1	Body,water pump			
12	36511017	1	Pin,Dowel			
13	54108154	1	Bolt DIN 84 M6-10			
14	54102154	6	Bolt DIN 933 M6-10 INOX			
15	36511010	1	Shaft,pump			
16	36511015	1	Spacer 17X24X7			
17	33311014	2	Ball Bearing 6203			
18	53040017	1	Circlip DIN 471 E-17			
19	36511020	1	Seal 16-30-7			
20	53041040	1	Circlip DIN 472 I-40			



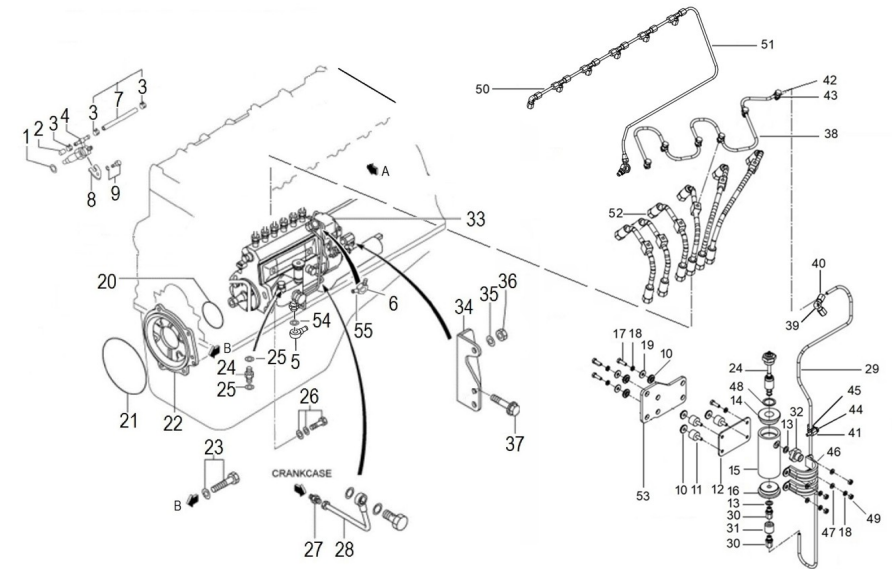
D GP01 3 5 Wet Exhaust

<i>Fig.</i>	<i>Ref.</i>	<i>Qty.</i>	<i>Descr.</i>	<i>Obs</i>	<i>From</i>	<i>UpTo</i>
1	17A21014	1	Turbo Gasket			
2	17A13014	1	Coupling			
3	52103306	3	Bolt DIN 912 M10-15 8.8			
4	16513016	1	Exhaust Elbow Gasket			
5	13311006	3	Stud,cover			
6	16513015	1	Elbow, wet exhaust			
7	60180007	1	Outlet Coupling			
8	51125008	3	Nut Exhaust			
9	55120110	4	Nut DIN 934 M10			
10	53033010	4	Washer GROWER DIN 127-10			



D SM81GTDN 04 1 Fuel Pipe And Fuel Leak Alarm

Fig.	Ref.	Qty.	Descr.	Obs	From	UpTo
1	17024013	6	Gasket Nozzle			
2	17824008	1	Cap			
3	17824006	13	Clip,Hose			
4	17A24004	6	Nozzle Assy			
5	17A24027	1	Nipple, Swiveling			
5	19414024	1	Fitting Adapter Male 3/8" to M14x1.5			
6	17A14010	1	Return Fuel Joint			
7	17824005	6	Hose			
8	17824013	6	Support, Nozzle			
9	17822118	6	Bolt, Flange			
10	17A17011	8	Bakelite Bushing			
11	17414009	4	Anti Vibration Mount			
12	17517009.6	1	Alarm Bracket			
14	17517009.3	1	Cover, Upper			
15	17517009.2	1	Tube			
16	17517009.4	1	Lower cover			
17	52102157	3	Bolt DIN 933 M6-20 8.8			
18	53033006	7	Washer GROWER DIN 127-6			
19	51031006	3	Washer DIN 9021 6			
20	17520075	1	O-Ring D. 75X25			
21	17420047	1	O-Ring D. 140X2			
22	17A25005	1	Flange, inj.pump			
23	17721012	1	Bolt,W/Washer			
24A	17517009.1	1	Fuel Leak Switch 12V			
Figure A for 12V System						
24B	17517017.1	1	Fuel Leak Switch 24V			
Figure b for 24V System						
25	57000369	2	Washer 14,2-20-1,5			
26	17425029	4	Bolt,W/Washer			
27	17424032	1	Connector			
28	17524033	1	Pipe,Oil			

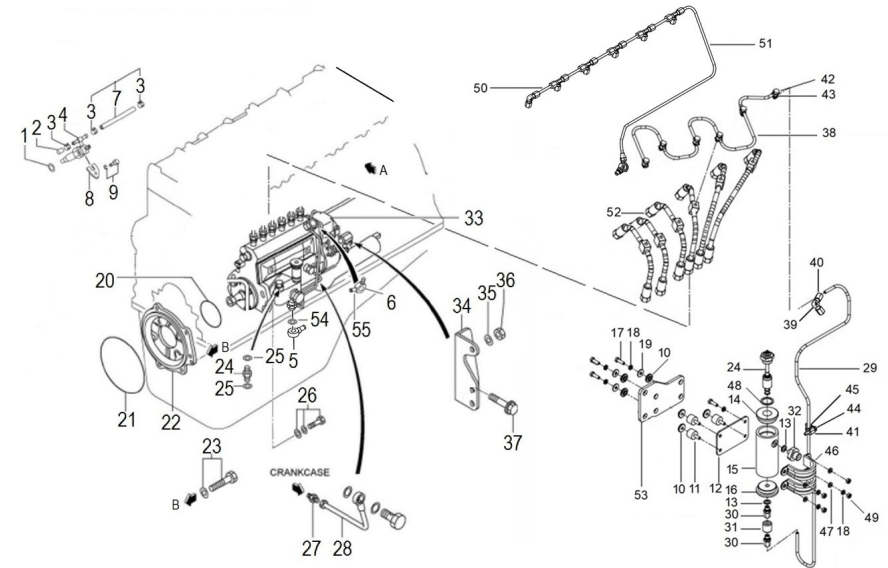


Genset 68 GT/GTC & 84 GTA/GTAC TAC

Fuel System

D SM81GTDN 04 1 Fuel Pipe And Fuel Leak Alarm

Fig.	Ref.	Qty.	Descr.	Obs	From	UpTo
29	17A17022	1	Fuel Leak Pipe			
30	19414028	2	P-GEV 6LR 1/8			
31	17A14029	1	1/8-28 To M10 Thread Adaptator			
32	17B14032	1	Fitting 1/8 - 3/8 Nylon			
33	17A25001	1	Fuel Injection Pump			
34	17524034	1	Bracket,INJ Pump			
35	13321016	1	Washer Spring			
36	17120049	1	Nut M8			
37	17425036	1	Bolt,Flange			
38	17A14018	1	Fuel Return Pipe TAC			
39	17A14026	2	P-WV 6L Male Stud Equal Elbow Fitting			
40	17A14025	5	P-TV 6L Male Stud Equal Tee Fitting			
41	17A10035	1	M6 Bolt With M8 Treat			
42	1A012007	6	Banjo Bolt M8x1.25			
43	56000057	12	Washer 8-13-1,5			
44	52102156	1	Bolt DIN 933 M6-16 8.8			
45	59071064	1	Clamp RSGU 1 06/15 W1			
46	59072482	2	Clamp 2 48/20 W1			
47	51030006	4	Washer DIN 125-6			
48	56000086	1	Washer 22,3-29-1,5			
49	52120006	4	Nut DIN 934 M6 8.8			
50	17A14030	5	Steel Pipe 6mm L 80mm			
51	17A14031	1	Pipe D6mm			
52	17A24010R	1	Double Wall Pipe Kits			
53	17A14001	1	Double Filter Bracket			
54	56000069	1	Washer 14-20-1,5			
55	17121016	1	Plug, drain			
NS	19424101	1	Spray stop kit			

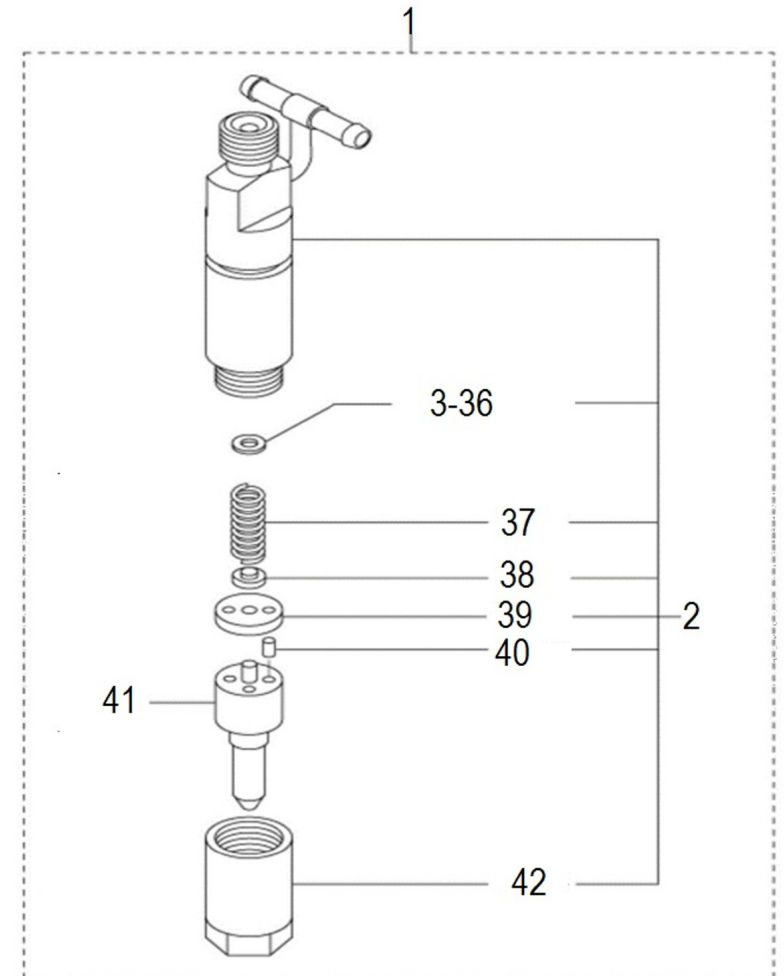


Genset 68 GT/GTC & 84 GTA/GTAC TAC

Fuel System

D SM81GTDN 4 2 Injection Nozzle

Fig.	Ref.	Qty.	Descr.	Obs	From	UpTo
1	17A24044	1	Nozzle Assy			
2A	17A26042	5	Injection Nozzle			
2B	17A26043	1	Injection Nozzle			
4	17026144	0	Washer 1,050	#		
5	17026145	0	Washer 1,100	#		
6	17026146	0	Washer 1,150	#		
7	17026010	0	Washer 1,20	#		
8	17026011	0	Washer 1,25	#		
9	17026012	0	Washer 1,30	#		
10	17026013	0	Washer 1,35	#		
11	17A26014	0	Washer 4,00	#		
12	17A26015	0	Washer 4,50	#		
13	17026016	0	Washer 1,50	#		
14	17026017	0	Washer 1,55	#		
15	17026019	0	Washer 1,60	#		
16	17026020	0	Washer 1,65	#		
17	17A26021	0	Washer 1,70	#		
18	17026022	0	Washer 1,75	#		
18	17A26022	0	Washer 0,950	#		
19	17026023	0	Washer 1,80	#		
19	17A26023	0	Washer 0,700	#		
20	17026131	0	Washer 1,275	#		
21	17026132	0	Washer 1,325	#		
22	17026133	0	Washer 1,375	#		
23	17026134	0	Washer 1,425	#		
24	17026135	0	Washer 1,475	#		
27	17A26024	0	Washer 0,750	#		
28	17A26025	0	Washer 0,800	#		
29	17A26026	0	Washer 0,850	#		
30	17A26027	0	Washer 0,900	#		
31	17A26028	0	Washer 0,975	#		

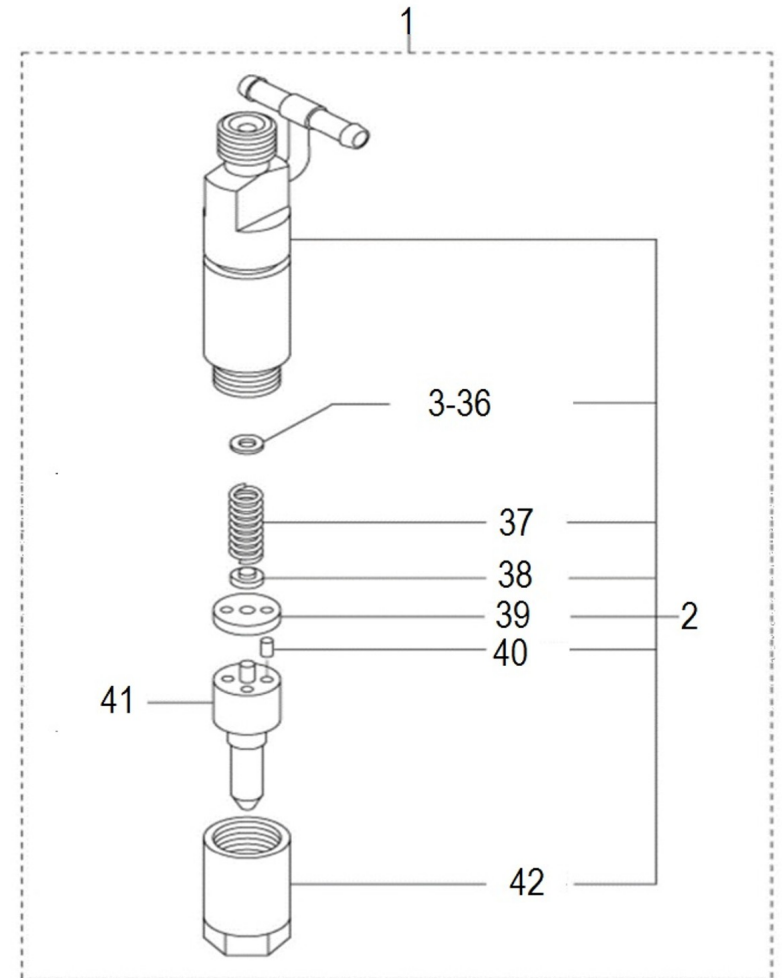


Genset 68 GT/GTC & 84 GTA/GTAC TAC

Fuel System

D SM81GTDN 4 2 Injection Nozzle

Fig.	Ref.	Qty.	Descr.	Obs	From	UpTo
32	17A26029	0	Washer 1,025	#		
33	17A26030	0	Washer 1,075	#		
34	17A26031	0	Washer 1,125	#		
35	17A26032	0	Washer 1,175	#		
36	17A26033	0	Washer 1,225	#		
37	17026104	6	Spring,pressure			
38	17026103	6	Pin,pressure			
39	17026107	6	Packing,tip			
40	17026008	12	Pin Straight			
41	17A26034	6	Nozzle Assy			
42	17A26006	6	Nut			

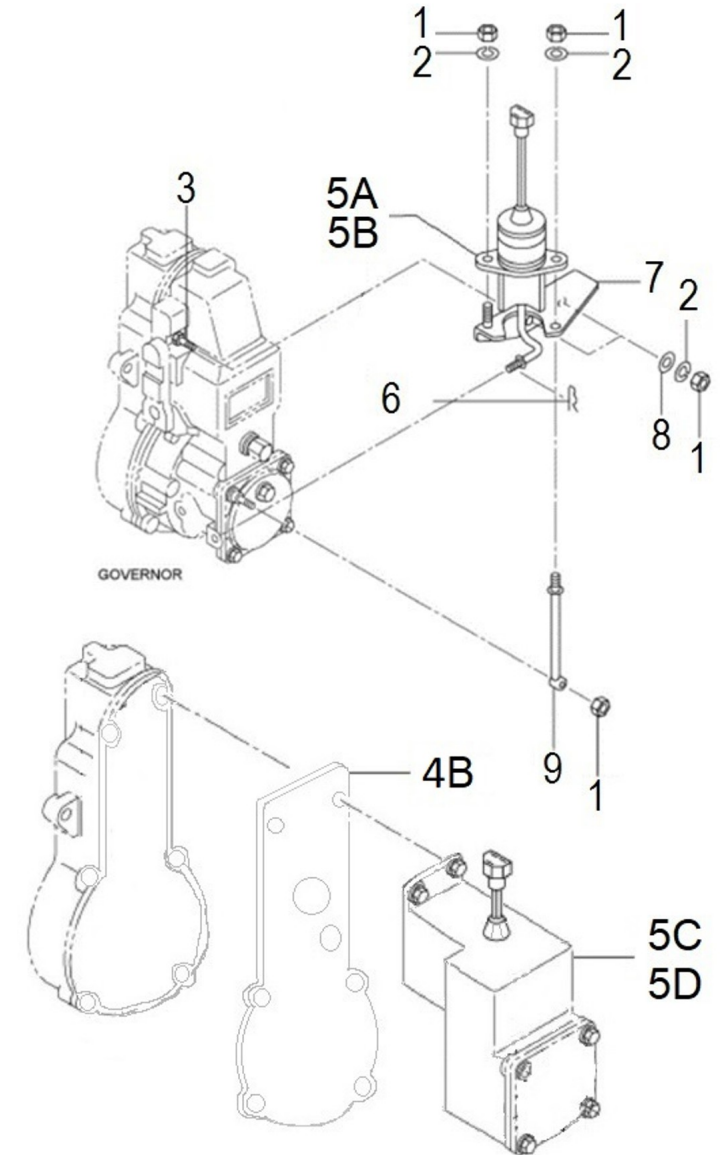


Genset 68 GT/GTC & 84 GTA/GTAC TAC

Fuel System

D GP01 4 4 Governor Parts

Fig.	Ref.	Qty.	Descr.	Obs	From	UpTo
1	17223032	5	Nut			
2	53033006	4	Washer GROWER DIN 127-6			
3	17427003G	2	Rod,Solenoid			
4B	60972518	1	Assembly kit for 175 series actuator			
Figure b for Parallel System						
5A	17424025G	1	Solenoid			
Figure A for 12V System						
5B	17425264.2	1	Solenoid 24V			
Figure b for 24V System						
5C	60972516	1	G.A.C 175 Series 12V Integrated Actuator			
Figure C for Parallel System 12V						
5D	60972520	1	G.A.C. 175 Series 24V Integrated Actuat.			
Figure D for Parallel System 24V						
6	17427009G	1	Clip			
7	17427005G	1	Bracket			
8	51030006	2	Washer DIN 125-6			
9	17427006G	1	ROD,Support			



D 17A14002 Kit 2nd Fuel Filter TAC

<i>Fig.</i>	<i>Ref.</i>	<i>Qty.</i>	<i>Descr.</i>	<i>Obs</i>	<i>From</i>	<i>UpTo</i>
1	19424022	2	Fuel Filter Element SDZ-165/205/280			
2	51030010	2	Washer DIN 125-10			
3	53033010	2	Washer GROWER DIN 127-10			
4	17A14001	1	Double Filter Bracket			
5	52120010	2	Nut DIN 934 M10 8.8			
6	52102360	2	Bolt DIN 933 M12-35 8.8			
8	52102258	1	Bolt DIN 933 M8-25 8.8			
9	53033008	1	Washer GROWER DIN 127-8			
10	19414024	1	Fitting Adapter Male 3/8" to M14x1.5			
11	17A14023	1	Fuel Hose DNV			
12	17A14024	1	Fuel Hose DNV			
13	19414039	2	Racor Fitting Male M18x150-M20x150			
14	57000369	2	Washer 14,2-20-1,5			
15	1A010023	1	Spacer			
16	56000069	1	Washer 14-20-1,5			
17	17414002	1	Bracket			22/05/2023
17	17414008	1	Fuel Filter Cover		23/05/2023	
18	52101311	2	Bolt DIN 931 M10-40 8.8			22/05/2023
18	52101318	2	Bolt DIN 931 M10-75 8.8		23/05/2023	
19	56000228	2	Copper Washer 18-24-3		23/05/2023	
19	57000378	2	Washer 18-24-1,5			22/05/2023

**IMAGEN
DISPONIBLE
PRÓXIMAMENTE**

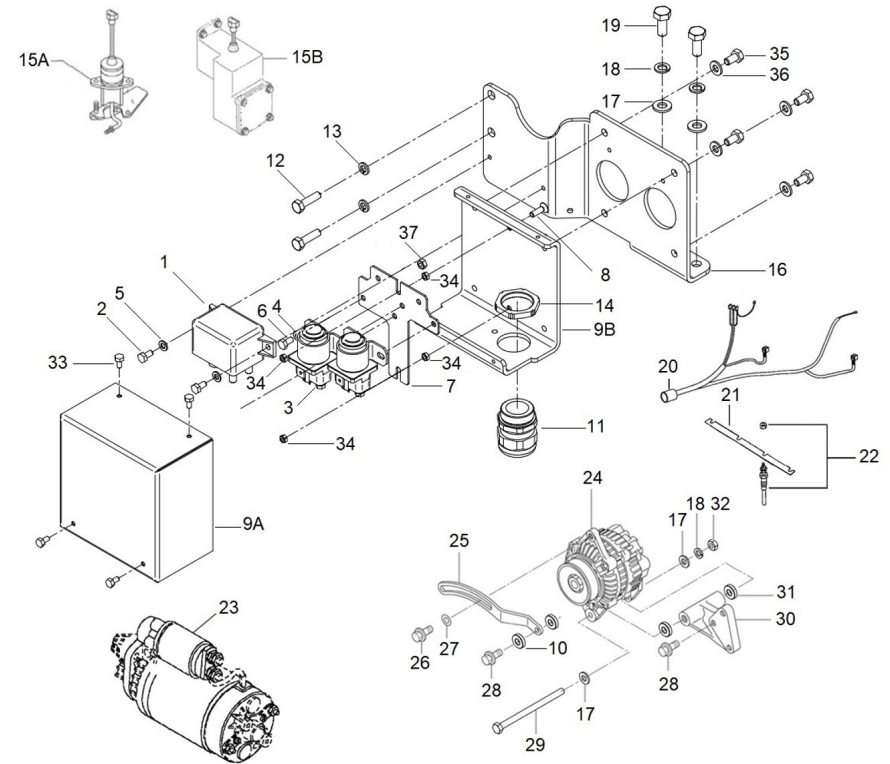
**IMAGE AVAILABLE
COMING SOON**

Genset 68 GT/GTC & 84 GTA/GTAC TAC

Electrical System

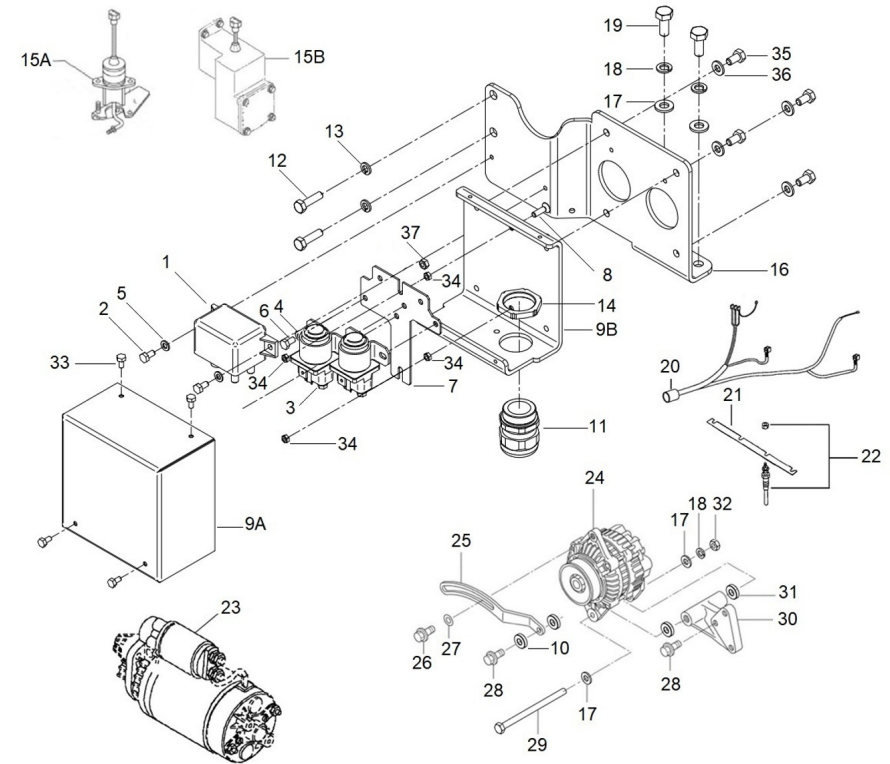
D SM81GTDN 05 1 Electrical System 12V

Fig.	Ref.	Qty.	Descr.	Obs	From	UpTo
1	19017113	1	Relay 12V Earth Isolated Nagares			
2	52102154	2	Bolt DIN 933 M6-10 8.8			
3	17527005	2	Relay 12V 200A			
4	58030603	4	Washer DIN 125-6 Nylon			
5	51030006	2	Washer DIN 125-6			
6	58101155	4	Bolt DIN 933 M6-12 Nylon			
7	6097A002.03	1	Relay Bracket			
8	54105157	2	Bolt DIN 7991 M6-20 INOX.			
9A	6097A004	1	Back Part Metal Box			
9B	6097A005	1	Metal Box Cover			
10	17117012	2	Tensor Bakelite Bushing			
11	60900313	1	Cable Gland Captor-2000 PG29			
12	52102259	2	Bolt DIN 933 M8-30 8.8			
13	53033008	2	Washer GROWER DIN 127-8			
14	60900314	1	Hexagonal Locknut Captor-2000 PG29			
15A	17424025G	1	Solenoid			
	Figure A for Standard System					
15B	60972516	1	G.A.C 175 Series 12V Integrated Actuator			
	Figure b for Parallel System					
16	17A17036	1	Relays Box Bracket			
17	51030010	4	Washer DIN 125-10			
18	53033010	3	Washer GROWER DIN 127-10			
19	52102308	2	Bolt DIN 933 M10-25 8.8			
20	6097A206	1	Elect. Inst. G. G. SM-81 SM-103 TAC			
21	17527018	1	Plate Glow Plug			
22	17827017	6	Plug, Glow			
23	17527001G	1	Starter Assy 12 V			
24	17427010G	1	Alternator 12V/50A			
25	17427007.1	1	Plate, Adjusting			
26	13827012	1	Bolt			
27	17331008	1	Washer			



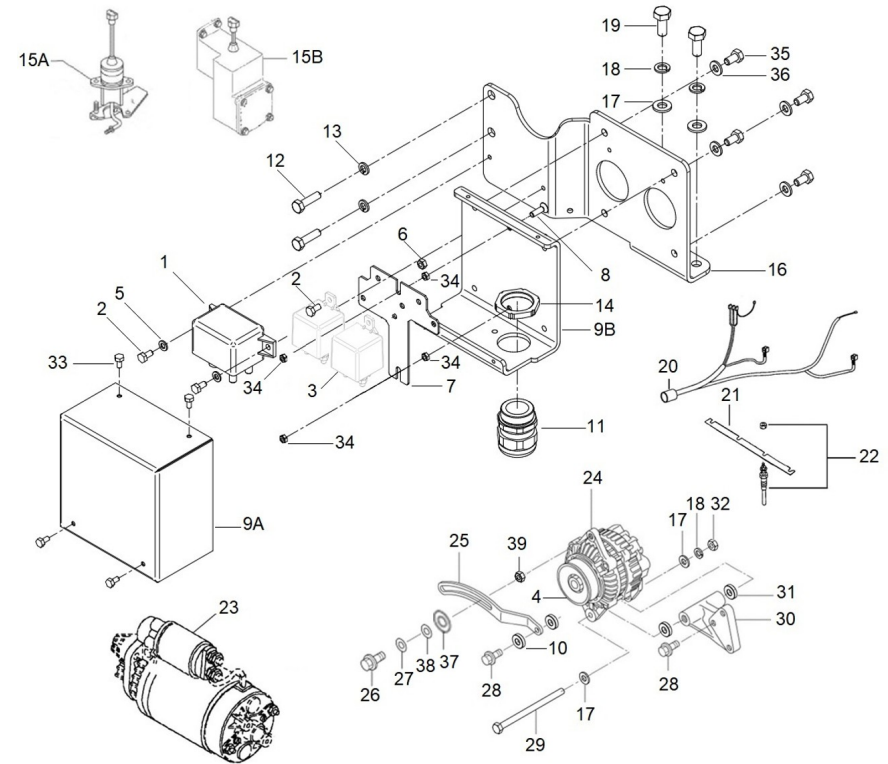
D SM81GTDN 05 1 Electrical System 12V

Fig.	Ref.	Qty.	Descr.	Obs	From	UpTo
28	17425036	2	Bolt,Flange			
29	52101326	1	Bolt DIN 931 M10-130 8.8			
30	17427002G.1	1	Alternator Bracket, Earth Isolated			
31	17117011	2	Bracket Bakelite Bushing			
32	52120010	1	Nut DIN 934 M10 8.8			
33	52102104	4	Bolt DIN 933 M5-10 8.8			
34	52120005	4	Nut DIN 934 M5 8.8			
35	52102256	4	Bolt DIN 933 M8-16 8.8			
36	51030008	4	Washer DIN 125-8			
37	52120006	4	Nut DIN 934 M6 8.8			
NS	60900956	1	10k ohm Resistor			



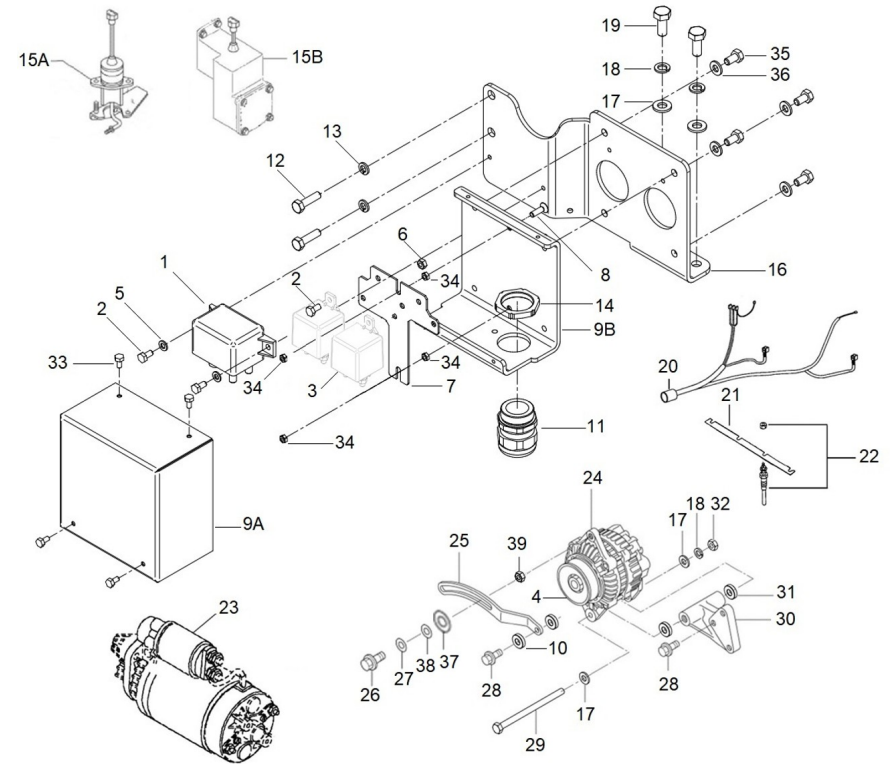
D SM81GTDN 05 2 Electrical System 24V

Fig.	Ref.	Qty.	Descr.	Obs	From	UpTo
1	19017114	1	Relay 24V Earth Isolated Nagares			
2	52102154	4	Bolt DIN 933 M6-10 8.8			
3	17417005	2	Relay 24V 24-100			
4	17517010	1	Pulley			
5	51030006	2	Washer DIN 125-6			
6	52120006	2	Nut DIN 934 M6 8.8			
7	6097A002.03	1	Relay Bracket			
8	54105157	2	Bolt DIN 7991 M6-20 INOX.			
9A	6097A004	1	Back Part Metal Box			
9B	6097A005	1	Metal Box Cover			
10	17117012	2	Tensor Bakelite Bushing			
11	60900313	1	Cable Gland Captor-2000 PG29			
12	52102259	2	Bolt DIN 933 M8-30 8.8			
13	53033008	2	Washer GROWER DIN 127-8			
14	60900314	1	Hexagonal Locknut Captor-2000 PG29			
15A	17425264.2	1	Solenoid 24V			
	Figure A for Standard System					
15B	60972520	1	G.A.C. 175 Series 24V Integrated Actuat.			
	Figure b for Parallel System					
16	17A17036	1	Relays Box Bracket			
17	51030010	4	Washer DIN 125-10			
18	53033010	3	Washer GROWER DIN 127-10			
19	52102308	2	Bolt DIN 933 M10-25 8.8			
20	6097A206	1	Elect. Inst. G. G. SM-81 SM-103 TAC			
21	17527018	1	Plate Glow Plug			
22	17A27017	6	Glow Plug 24V			
23	17527001.2	1	Starter Assy 24V			
24	17417024	1	Alternator 28V/55A			
25	17427007.1	1	Plate, Adjusting			
26	52101260	1	Bolt DIN 931 M8-35 8.8			
27	51031008	1	Washer DIN 9021 8			



D SM81GTDN 05 2 Electrical System 24V





Fig.	Ref.	Qty.	Descr.	Obs	From	UpTo
28	17425036	2	Bolt,Flange			
29	52101326	1	Bolt DIN 931 M10-130 8.8			
30	17427002.5	1	Alternator Bracket, Earth Isolated			
31	17117011	2	Bracket Bakelite Bushing			
32	52120010	1	Nut DIN 934 M10 8.8			
33	52102104	4	Bolt DIN 933 M5-10 8.8			
34	52120005	4	Nut DIN 934 M5 8.8			
35	52102256	4	Bolt DIN 933 M8-16 8.8			
36	51030008	4	Washer DIN 125-8			
37	51030018	1	Washer DIN 125-18			
38	53038008	1	Washer DIN 6798-A 8			
39	52120008	1	Nut DIN 934 M8 8.8			
NS	60900063	4	Insulator Cap Faston 6.3			
NS	60900956	1	10k ohm Resistor			
NS	TFH.1M.6.3.08	4	Straight Receptacle 1 Sec. Faston			

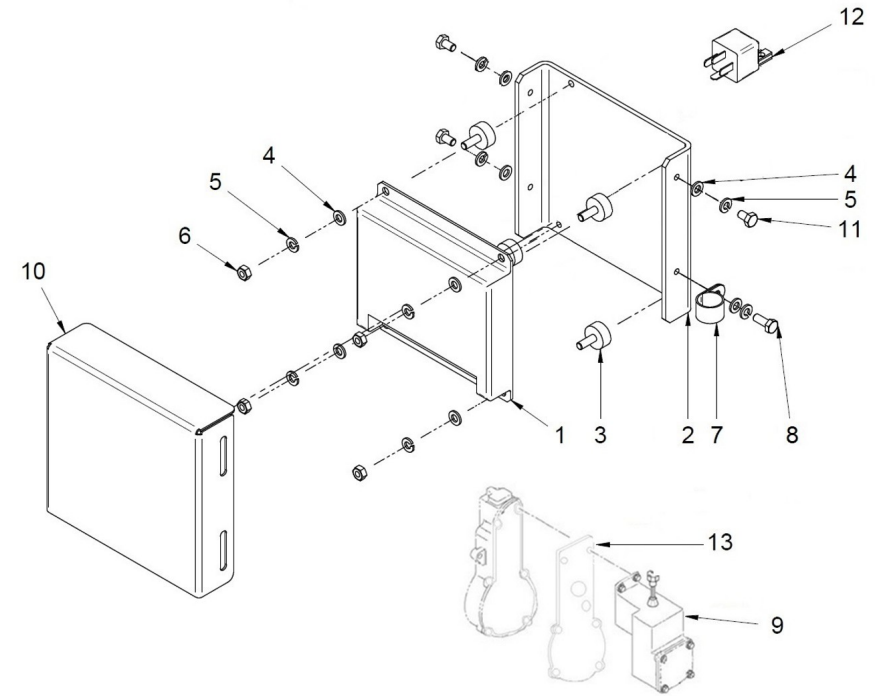


Genset 68 GT/GTC & 84 GTA/GTAC TAC





Electrical System

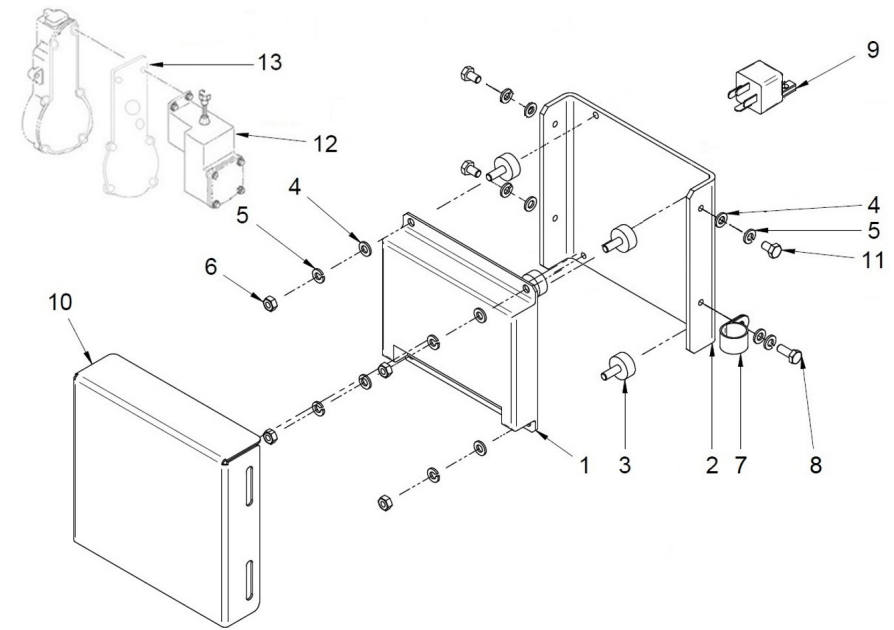
D 6097A505 Parallel Control System 12V

Fig.	Ref.	Qty.	Descr.	Obs	From	UpTo
1	60972521	1	Speed Control Unit G.A.C. ESD-5500 Ser.			
2	17317007	1	Electronic Unit Bracket			
3	17A14009	4	Anti Vibration Mount M6			
4	51030006	8	Washer DIN 125-6			
5	53033006	8	Washer GROWER DIN 127-6			
6	52120006	4	Nut DIN 934 M6 8.8			
7	59071224	1	Clamp RSGU 1 22/15 W1			15/11/2023
7	59071324	1	Clamp RSGU 1 32/15 W1		15/11/2023	
8	52102156	1	Bolt DIN 933 M6-16 8.8			
9	60972516	1	G.A.C 175 Series 12V Integrated Actuator			
10	17317008	1	Parallel electronic unit cover			
11	52102154	3	Bolt DIN 933 M6-10 8.8			
12	63900028	1	Relay 12V 40/15A NO+NC with Diode			
13	60972518	1	Assembly kit for 175 series actuator			
NS	17420025	1	Gasket,Rear			
NS	58088284	1	Pastic Cable Zip Tie			
NS	60972517	1	Connector for actuator Packard type			
NS	60974223DNV	1	Auxiliary Installation Parallel TAC Genset			



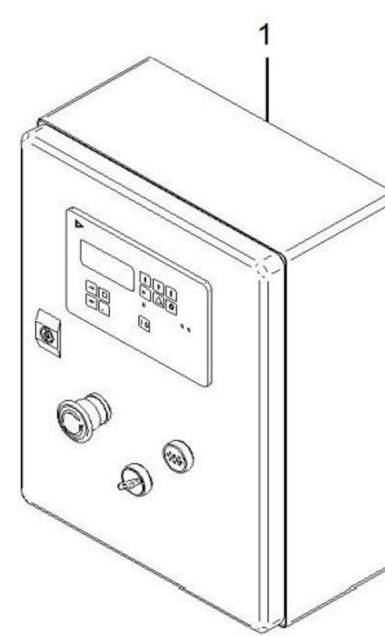
D 6097A506 Parallel Control System 24V

Fig.	Ref.	Qty.	Descr.	Obs	From	UpTo
1	60972521	1	Speed Control Unit G.A.C. ESD-5500 Ser.			
2	17317007	1	Electronic Unit Bracket			
3	17A14009	4	Anti Vibration Mount M6			
4	51030006	8	Washer DIN 125-6			
5	53033006	8	Washer GROWER DIN 127-6			
6	52120006	4	Nut DIN 934 M6 8.8			
7	59071224	1	Clamp RSGU 1 22/15 W1			15/11/2023
7	59071324	1	Clamp RSGU 1 32/15 W1		15/11/2023	
8	52102156	1	Bolt DIN 933 M6-16 8.8			
9	63900029	1	Relay 24V 22/10A NO+NC with Diode			
10	17317008	1	Parallel electronic unit cover			
11	52102154	3	Bolt DIN 933 M6-10 8.8			
12	60972520	1	G.A.C. 175 Series 24V Integrated Actuat.			
13	60972518	1	Assembly kit for 175 series actuator			
NS	17420025	1	Gasket,Rear			
NS	60900330	4	SUPERSEAL yello rubber protection			
NS	60972517	1	Connector for actuator Packard type			
NS	60974223DNV	1	Auxiliary Installation Parallel TAC Genset			



D SM81GTDN 05 4 Control and Power Cabinets

<i>Fig.</i>	<i>Ref.</i>	<i>Qty.</i>	<i>Descr.</i>	<i>Obs</i>	<i>From</i>	<i>UpTo</i>
1C	6097A215	2	Box CO 40 17/25/35/45/50/68 GT TAC 12V			
1C	6097A217	1	Box CO 40 17/25/35/45/50/68 GT TAC 12V Prep.Par.			
1D	6097A219	1	Box CO 40 17/25/35/45/50/68 GT TAC 24V Prep.Par.			
1D	6097A220	2	Box CO 40 17/25/35/45/50/68 GT TAC 24V			
2A	6097A750	1	Parallel Kit 68 GT 230V TAC Control and Power 12V			
2B	6097A751	1	Parallel Kit 68 GT 230V TAC Control and Power 24V			
2C	6097A752	1	Parallel Kit 68 GT 400/230V TAC Control and Power 12			
2D	6097A753	1	Parallel Kit 68 GT 400/230V TAC Control and Power 24			
2E	60971754	1	Parallel Kit 84 GTA 240V TAC Control and Power 24V			
2F	60971755	1	Parallel Kit 84 GTA 240V TAC Control and Power 12V			
2G	60994756	1	Parallel Kit 84 GTA 480/277V TAC Control and Power 1			
2H	60994757	1	Parallel Kit 84 GTA 480/277V TAC Control and Power 2			



D 1138T **Genset Extension TAC**

<i>Fig.</i>	<i>Ref.</i>	<i>Qty.</i>	<i>Descr.</i>	<i>Obs</i>	<i>From</i>	<i>UpTo</i>
1A	6097A216	1	Wiring Extension Genset TAC 6 M.			
1B	6097A218	1	Wiring Extension TAC Genset 12 M. CPC 37 V.			
1C	60974552	1	3-way Wiring Wxtension for Auxilliary Kits 4 m			
1D	60900165	1	3-way Wiring Extension for Auxilliary Kits 6 m			
1F	60900166	1	3-way Wiring Extension for Auxilliary Kits 12 m			
1G	60900167	1	3-way Wiring Extension for Auxilliary Kits 24 m			
1H	60972104	1	Double Panel SCO 12 M. Harness			
1I	60972105	1	Double Panel SCO 24 M. Harness			
1J	60972110	1	Double Panel SCO 36 M. Harness			
1K	60974227.12	1	AVR External Control Cable 12m.			
1L	60974228.12	1	ECU External Control Cable 12m.			
1M	60974227.24	1	AVR External Control Cable 24m.			
1N	60974228.24	1	ECU External Control Cable 24m.			



D SM81GTST 06 1

Alternators 68 GT/GTC AND 84 GTA/GTAC

<i>Fig.</i>	<i>Ref.</i>	<i>Qty.</i>	<i>Descr.</i>	<i>Obs</i>	<i>From</i>	<i>UpTo</i>
1A	605113075ZI2R	1	Alt.MECCALTE III 75KVA 400/230V C-Type (R)			
1B	605113075ZI3R	1	Alt. MECCALTE III 75 KVA 230V C-Type (R)			
1C	605113075PI2R	1	Alt.MECCALTE III 75KVA 400/230V C-Type Parallel (R)			
1D	605113075PI3R	1	Alt. MECC. III 75 KVA 230V C-Type Parallel (R)			
1E	605123090ZI4R	1	Alt. MECC.ALTE III 90KVA 1800 480/277 C-TYPE (R)			
1F	605123090ZI5R	1	Alt. MECCALTE III 90 KVA 240V C-Type (R)			
1G	605123090PI4R	1	Alt. MECC. III 90 KVA 480/277V C-Type Parallel (R)			
1H	605123090PI2R	1	Alt. MECC. III 90 KVA 240V C-Type Parallel (R)			
1I	605113075ZI1RCTC	1	Subst. Alt. MECC. Type B For Type C III 75KVA 150023			
1J	605113075ZI0RCTC	1	Subst. Alt. MECC. Type B For Type C III 75KVA 150040			
1K	605113075ZPI1RCTC	1	Subst. Alt. MECC. Type B For Type C III 75KVA 1500 2			
1L	605113075ZPI0RCTC	1	Subst. Alt. MECC. Type B For C III 75KVA 1500400/230			
1M	605123090ZI3RCTC	1	Subst. Alt. MECC. Type B For Type C III 90KVA 180023			
1N	605123090ZI2RCTC	1	Subst. Alt. MECC. Type B For Type C III 90KVA 1800 4			
1O	605123090PI3RCTC	1	Subst. Alt. MECC. Type B For C III 90KVA 1800RPM 240			
1P	605123090ZPI0RCTC	1	Subst. Alt. MECC. Type B For C III 90KVA 1800 480/27			

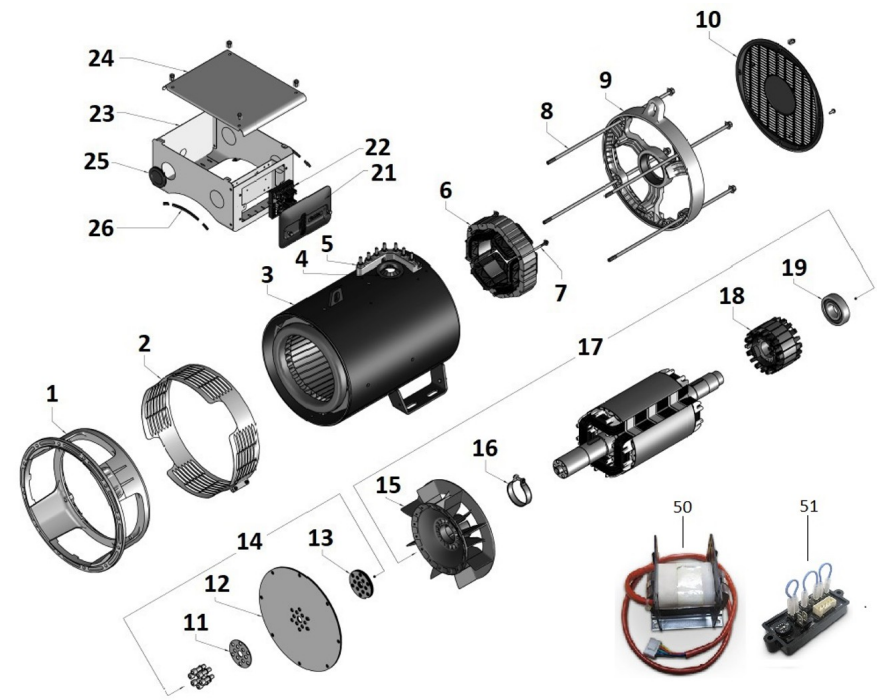


Genset 68 GT/GTC & 84 GTA/GTAC TAC

Genset Alternator Spare Parts

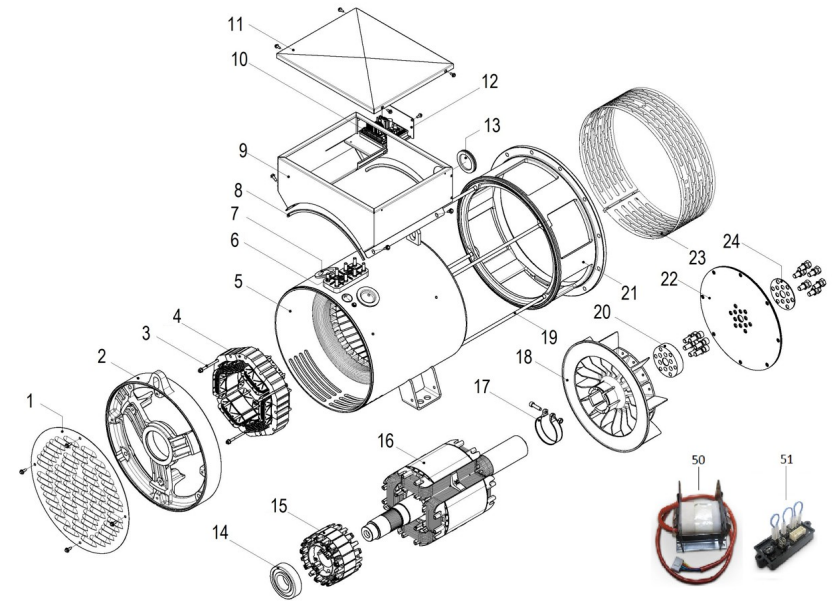
D SM81GTST 06 2 Spare Part List Alternator Type C

Fig.	Ref.	Qty.	Descr.	Obs	From	UpTo
1	605113050ZI6.1	1	Drive End Bracket			
2	605113050ZI6.2	1	Protection Screen			
3	605113050ZI6.3	1	Frame and Stator			
4	605113050ZI6.4	1	Cable Grommet diam. 70 mm			
5	605113050ZI6.5	1	Terminal Board 7 Pin M8			
6	605113050Z4.4	1	Exciter Stator H-45 6P			
7	605113050ZI6.6	1	Exciter Stay Bolt H-45			
8	605113050ZI6.7	1	Cover Stay Bolt			
9	605113050ZI6.8	1	Aluminium Non Drive End Bracket			
10	605113050ZI6.9	1	Rear Seal			
11	605113050Z4.23	1	Disc Bloking Ring-Spacer			
12	605113050ZI6.10	1	Disc SAE 11,5			
13	605113050Z4.19	1	Ring Spacer Vol. 8 - 10			
14	605113050Z4.21	1	Kit Coupling Disc Plates SAE 11,5			
15	605113050Z4.17	1	Plastic Fan			
16	605113050Z4.16	1	Clamp			
17	605113050ZI6.11	1	Rotor Assy			
18	605113050ZI6.12	1	Exciter Armature H-45 6P (+ Diodes T30)			
19	605113050Z4.13	1	Rear Bearing 6309-2RS C3			
21	M9909505310	1	Regulator Cap			
22	60500023.1	1	Electronic Regulator DSR			
23	M7510603373	1	Terminal Box			
24	M9903910114	1	Terminal Box Lid			
25	605113050Z4.12	1	Cable Grommet			
26	605113050Z4.8	1	PVC Rubber Profile			
50	60511386P	1	PD500 Parallel Device			
51	60511387P	1	PD-I Parallel Device			
NS	605113050Z4.25	1	Kit USB2DxR	☒		
NS	60511315.1.11	1	Diode Bridge T30	☒		



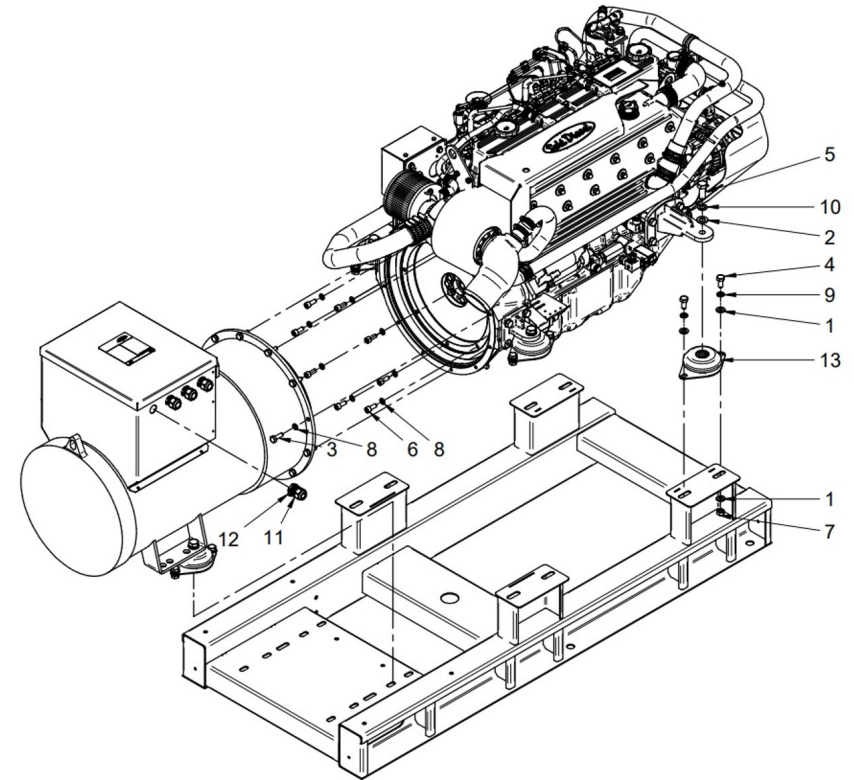
D SM81GTST 06 3 Spare Part List Alternator Type B Upto 29/12/2021

Fig.	Ref.	Qty.	Descr.	Obs	From	UpTo
1	605113075Z0.1	1	Rear seal			
2	605113075Z0.2	1	Non drive end bracket			
3	605113075Z0.3	1	Exciter stay bolt H-55 (L)			
4	605113075Z0.4	1	9910356051			
5	605113075Z0.5	1	Frame and stator 3L			
6	605113075Z0.6	1	Terminal board 8 pin			
7	605113075Z0.7	1	Cable grommet			
8	605113075Z0.8	1	PVC rubber profile			
9	605113075Z0.9	1	Terminal box			
10	60500023.1	1	Electronic Regulator DSR			
11	605113075Z0.10	1	Terminal box lid			
12	605113075Z0.11	1	Regulator holding panel			
13	605113075Z0.12	1	Cable grommet			
14	605113075Z0.13	1	Rear bearing 6309-2RS C3			
15	605113075Z0.14	1	Exciter armature H-55 6P			
16	605113075Z0.15	1	Rotor assy 3L, MD35			
17	605113075Z0.16	1	Clamp			
18	605113075Z0.17	1	Plastic fan			
19	605113075Z0.18	1	Cover stay bolt 32 L			
20	605113075Z0.19	1	Ring spacer vol. 8 - 10			
21	605113075Z0.20	1	Drive end bracket MD35/3			
22	605113075Z0.21	1	Kit coupling disc plates SAE 11,5			
23	605113075Z0.22	1	Protection screen MD35			
24	605113075Z0.23	1	Disc blocking ring-spacer			
50	60511386P	1	PD500 Parallel Device			
51	60511387P	1	PD-I Parallel Device			
NS	605113075Z0.24	1	Diode for exciter armature	☒		
NS	605113075Z0.25	1	Kit terminal box (2+20+75b+98+178)	☒		
NS	605113075Z0.26	1	Kit USB2DxR	☒		











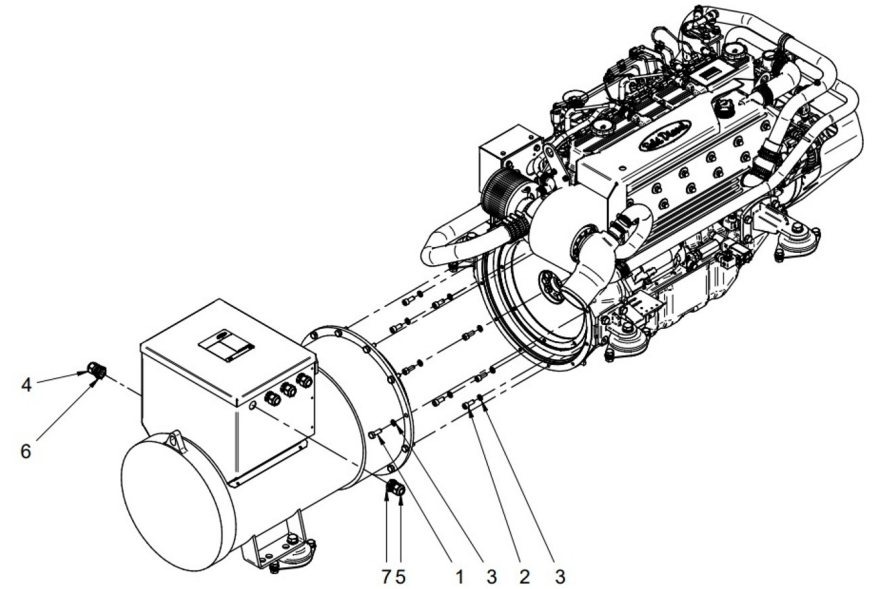
D 6057A106 Alternator Kit Without Cabin

<i>Fig.</i>	<i>Ref.</i>	<i>Qty.</i>	<i>Descr.</i>	<i>Obs</i>	<i>From</i>	<i>UpTo</i>
1	51030012	24	Washer DIN 125-12			
2	51030016	6	Washer DIN 125-16			
3	52102309	12	Bolt DIN 933 M10-30 8.8			
4	52102358	12	Bolt DIN 933 M12-25 8.8			
5	52102461	6	Bolt DIN 933 M16-40 8.8			
6	52103308	8	Bolt DIN 912 M10-25 8.8			
7	52120012	12	Nut DIN 934 M12 8.8			
8	53033010	20	Washer GROWER DIN 127-10			
9	53033012	12	Washer Grower DIN 127-12			
10	53033016C	6	Washer			
11	60900306	6	Connector Press CAPTOR-2000 M25 RAL7001			
12	60900309	6	Screw Connector Press Captor-2000 M25			
13	61674001	6	Engine Mount Type F 40 SHA M16 H 41			
13	61674007	6	Engine Mount Type F BRB 110 A40 SHA M16 H 41			



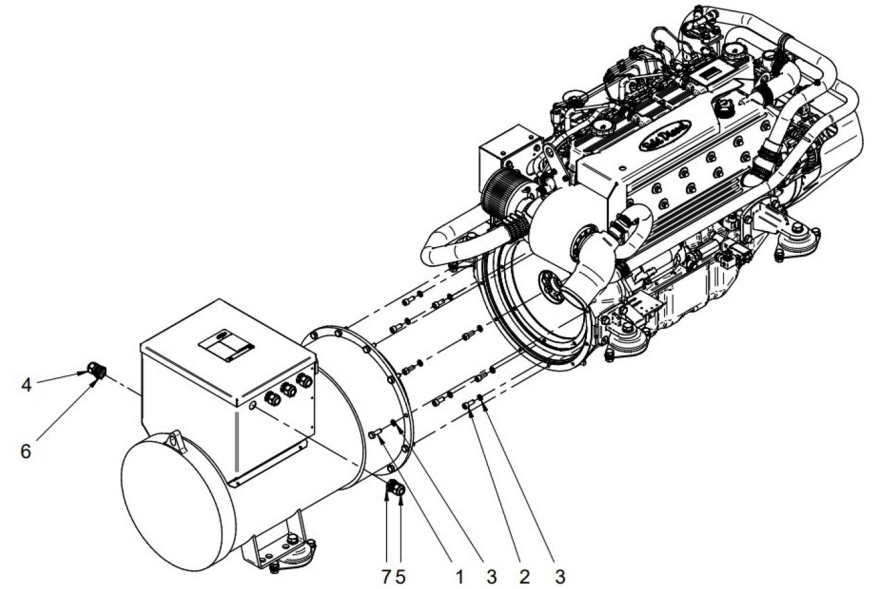
D 6057A062 Alternator Kit With Cabin (400/230V & 480/277V)

Fig.	Ref.	Qty.	Descr.	Obs	From	UpTo
1	52102309	12	Bolt DIN 933 M10-30 8.8			
2	52103308	8	Bolt DIN 912 M10-25 8.8			
3	53033010	20	Washer GROWER DIN 127-10			
4	60900304	1	Coneector Press PA Grey IP68 M16			
5	60900306	6	Connector Press CAPTOR-2000 M25 RAL7001			
6	60900307	1	Screw Connector Press PA Grey IP68 M16			
7	60900309	6	Screw Connector Press Captor-2000 M25			
NS	60900510	1	Emergency Stop PUSH BOTTOM			
NS	60900511	1	Stop PUSH BOTTOM Body			
NS	60974072A	1	Inst. Alt. To N Blue Breaker Sec. 16 - 800mm			
NS	60974072G	1	Inst. Alt. To "W" Gray Breaker Sec. 16 - 800mm			
NS	60974072M	1	Inst. Alt. To "V" Brown Breaker Sec. 16 - 800mm			
NS	60974072N	1	Inst. Alt. To "U" Black Breaker Sec. 16 - 800mm			
NS	60974076	1	Kit Fan Installation			
NS	60994087	1	FOUR PoleS 100A Disconnecter			



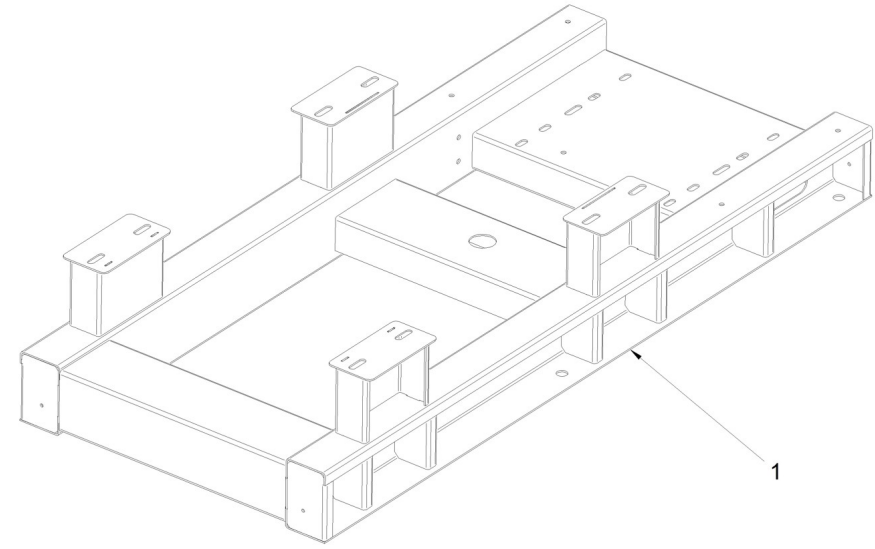
D 6057A064 Alternator Kit With Cabin (230V & 240V)

Fig.	Ref.	Qty.	Descr.	Obs	From	UpTo
1	52102309	12	Bolt DIN 933 M10-30 8.8			
2	52103308	8	Bolt DIN 912 M10-25 8.8			
3	53033010	20	Washer GROWER DIN 127-10			
4	60900304	1	Coneector Press PA Grey IP68 M16			
5	60900306	6	Connector Press CAPTOR-2000 M25 RAL7001			
6	60900307	1	Screw Connector Press PA Grey IP68 M16			
7	60900309	6	Screw Connector Press Captor-2000 M25			
NS	60900510	1	Emergency Stop PUSH BOTTOM	☒		
NS	60900511	1	Stop PUSH BOTTOM Body	☒		
NS	60974073A	1	N Breaker BLUE SEC. 35 900mm TO SYStem ALT.	☒		
NS	60974073G	1	W Breaker GRAY SEC. 35 TO SYStem ALT.	☒		
NS	60974073M	1	V Breaker BROWN SEC.35 TO SYStem ALT.	☒		
NS	60974073N	1	U Breaker BLACK SEC. 35 TO MAGNETO	☒		
NS	60974076	1	Kit Fan Installation	☒		
NS	60994086	1	FOUR PoleS 160 Disconnecter	☒		



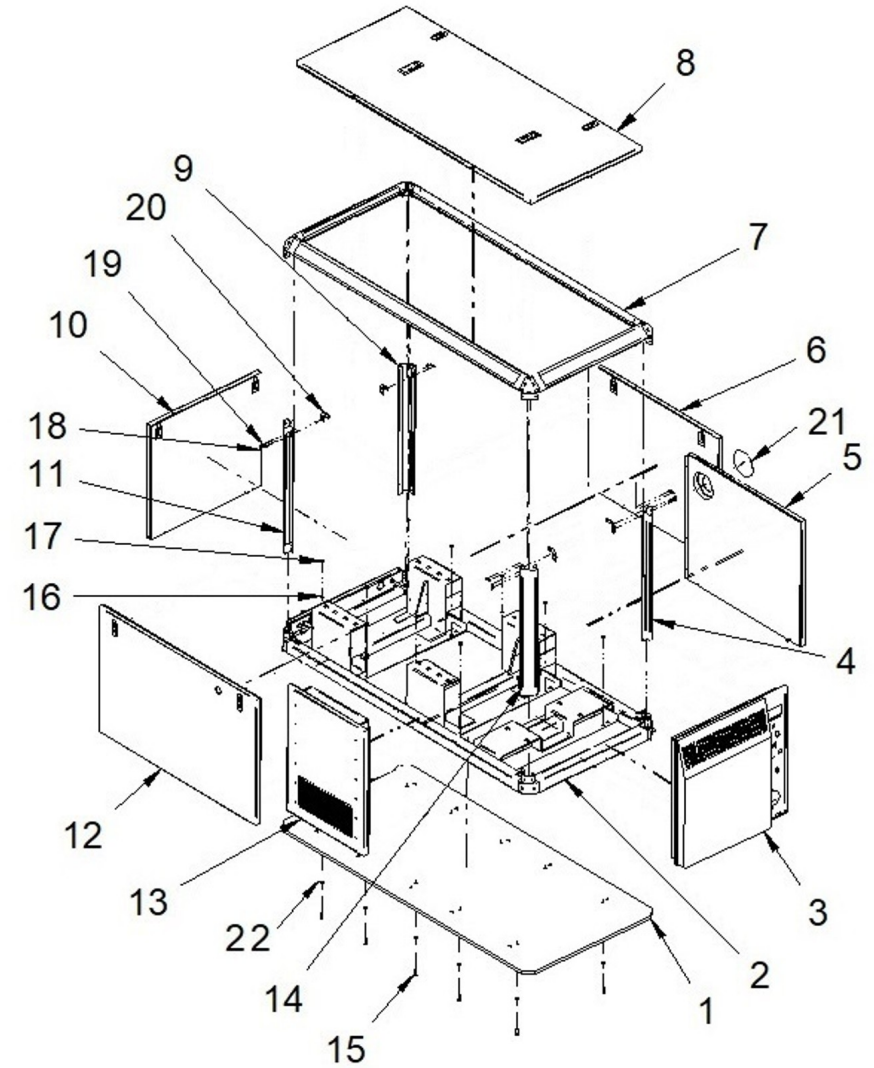
D 6057A020 **SM-81 Engine Bed**

<i>Fig.</i>	<i>Ref.</i>	<i>Qty.</i>	<i>Descr.</i>	<i>Obs</i>	<i>From</i>	<i>UpTo</i>
1	6057A020	1	SM-81 Engine Bed			



D SM81GTST 09 1 Canopy

Fig.	Ref.	Qty.	Descr.	Obs	From	UpTo
1	60575047.10	1	Baseboard			
2	60575047.61	1	Bottom Frame			
3	6057A041.25	1	Back Panel			
4	60575041.31	1	VERTICAL BAR			
5	6057A041.21A	1	Left Fixed Acoustic Wall Panel .			
6	6057A041.21B	1	Left Side Panel			
7	60575041.30	1	Upper FRAME			
8	60575041.20	1	Upper Panel			
9	60575041.32	1	VERTICAL BAR			
10	60575041.24	1	FrontAL Panel			
11	60575041.03	1	VERTICAL BAR			
12	60575041.22B	1	RIGHT Side Panel MOBILE			
13	6057A041.22A	1	Out Side Air Fixed Panel			
14	60575041.04	1	VERTICAL BAR			
15	52103258	10	Bolt DIN 912 M8-25 8.8			
16	53033008	9	Washer GROWER DIN 127-8			
17	52120008	10	Nut DIN 934 M8 8.8			
18	53105104	8	Bolt DIN 7991 M5-10 12.9			
19	51058054	22	Aluminium Rivet 4.0 X 10			
20	60573041.43	4	L Fastening Bracket			
21	60594042.62	1	Dry Exhaust Cover			
22	51030008	19	Washer DIN 125-8			

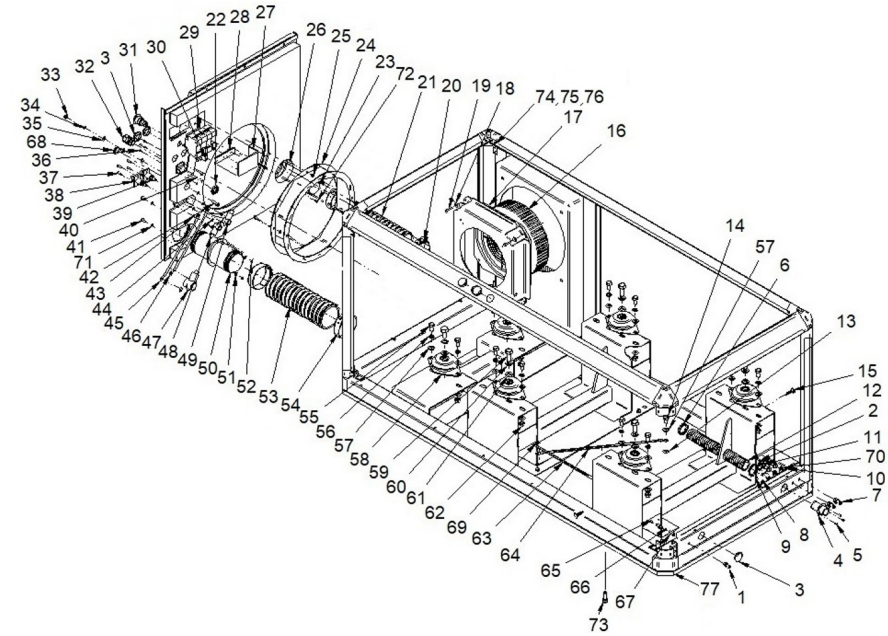


Genset 68 GT/GTC & 84 GTA/GTAC TAC

Canopy Spare Parts

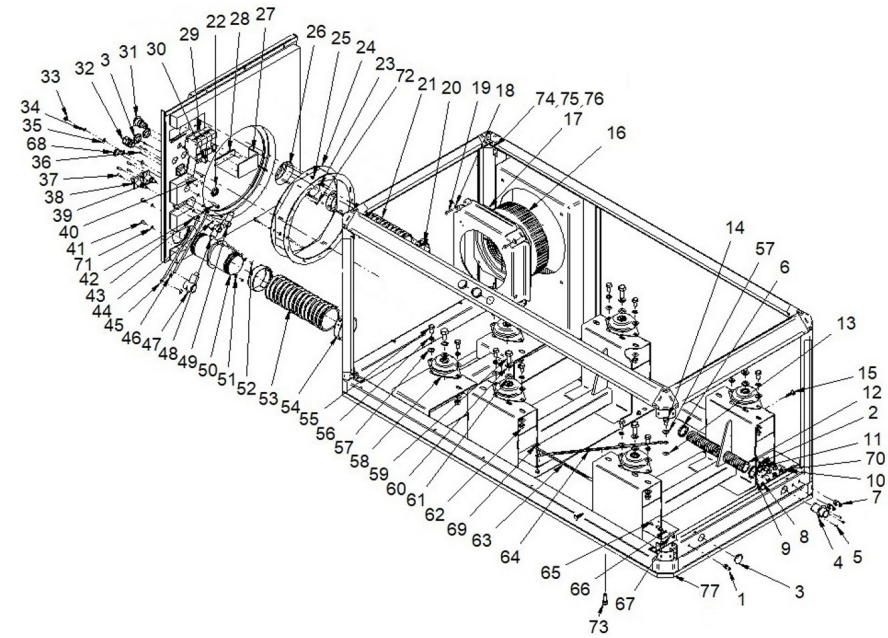
D SM81GTDN 09 2 Cabin Kit

Fig.	Ref.	Qty.	Descr.	Obs	From	UpTo
1	13814072	2	Straight Hose Connector 1/8" NPTF			
2	M81511019	2.0	Fuel Hose D. 10-18			
3	60900508	5	Shutter 31			
4	60571015	1	Sea Water Wall PASS			
5	54118054	3	Bolt DIN 7985 M4-10 INOX			
6	54082025	4	Clamp DIN 3017 25-40/12 W4			
7	60594041.39	4	Gasoil Wall Bushing D12 MALE			
8	51058054	22	Aluminium Rivet 4.0 X 10			
9	52120004	3	Nut DIN 934 M4 8.8			
10	60594041.40	2	ROD Coupling 3/8 BSP			
11	51086018	4	ONE EAR Clamp With INTERIOR Ring 16-18,3			
12	M88503242	0.0	DNV Water Intake Hose D. 32-42			
13	53038012	1	Washer DIN 6798-A 12			
14	52102357	1	Bolt DIN 933 M12-20 8.8			
15	58018160	4	Screw			
16	6057A050	1	Centrifugal Fan PSB 230V			
17	6057A041.23B	1	Air Outlet Aluminium Sheet Box			
18	51031006	17	Washer DIN 9021 6			
19	52102159	4	Bolt DIN 933 M6-30 8.8			
20	54083063	2	GP Clamp 63-68 W4 STC			
21	M88506072	1.0	Exhaust Hose D. 60			04/03/2024
21	M88576300	1.0	Air Aspiration Hose D. 63		04/03/2024	
22	60900309	1	Screw Connector Press Captor-2000 M25			
23	60574043.47	1	Air Connection D.60			
24	51123006	4	Nut DIN 985 M6 5.6			
25	60575041.25G	1	Spacer Ring			
26	52102157	12	Bolt DIN 933 M6-20 8.8			
27	60574043.42	1	Switch Disconnecter Bracket			
28	6097A166	1	Amperometric transformer Bracket			
29	60994087	1	FOUR PoleS 100A Disconnecter			
30	60900511	1	Stop PUSH BOTTOM Body			



D SM81GTDN 09 2 Cabin Kit

Fig.	Ref.	Qty.	Descr.	Obs	From	UpTo
31	60900510	1	Emergency Stop PUSH BOTTOM			
32	60900306	1	Connector Press CAPTOR-2000 M25 RAL7001			
33	54120008	2	Nut DIN 934 M8			
34	53038008	5	Washer DIN 6798-A 8			
35	54030008	3	Washer DIN 125-8 INOX.			
36	54118004	4	Bolt DIN 7985 M3-10 INOX			
37	54118106	4	Bolt DIN 7985 M5-16 INOX			
38	60573047	1	Battery Plug IN			
39	60573048	1	Battery Plug IN			
40	52120003	4	Nut DIN 934 M3 8.8			
41	54118156	2	Bolt DIN 7985 M6-16 INOX			
42	54103258	1	Bolt DIN 912 M8-25 INOX.			
43	51030005	4	Washer DIN 125-5			
44	52120005	4	Nut DIN 934 M5 8.8			
45	60975002	1	NEGATIVE BLACK Battery Wiring			
46	60971038	1	Positive Battery RED Wiring Sec. 25 mm - 1.52 m			
47	60994045	1	Ter. Protective 32 Red			
48	60972091	1	TER. PROTECTIVE 20 BLACK			
49	60972090	1	TER. PROTECTIVE 20 RED			
50	60594028	1	Exhaust Wall PASS D90			
51	53033006	2	Washer GROWER DIN 127-6			
52	54120006	2	Nut DIN 934 M6 INOX			
53	M885090102	1.0	Exhaust Hose D. 90			
54	54086097	4	GP Clamp 97-104 W4 STC			
55	52102358	12	Bolt DIN 933 M12-25 8.8			
56	53033012	12	Washer Grower DIN 127-12			
57	51030012	25	Washer DIN 125-12			
58	61674001	6	Engine Mount Type F 40 SHA M16 H 41			
58	61674007	6	Engine Mount Type F BRB 110 A40 SHA M16 H 41			
59	52102461	6	Bolt DIN 933 M16-40 8.8			
60	53033016C	6	Washer			

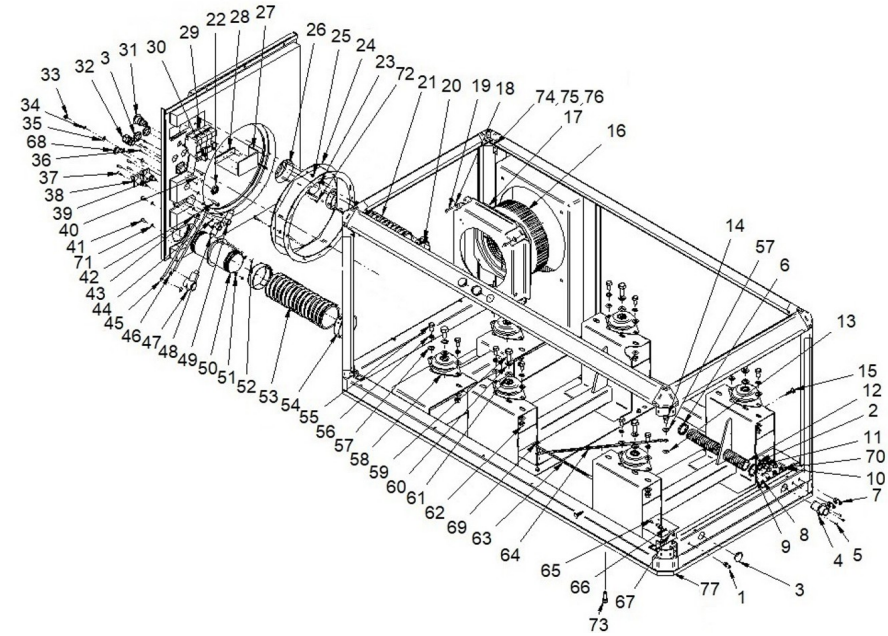


Genset 68 GT/GTC & 84 GTA/GTAC TAC

Canopy Spare Parts

D SM81GTDN 09 2 Cabin Kit








Fig.	Ref.	Qty.	Descr.	Obs	From	UpTo
61	51030016	6	Washer DIN 125-16			
62	52120012	12	Nut DIN 934 M12 8.8			
63	60975074	1	Panel Back 0,66 M. Wiring GROUND ALT.			
64	60975073	1	CHASSIS 0,5 M. TO MOTOR Wiring GROUND			
65	M80501006	1.0	Hose D.10-6			
66	57000361	1	Washer 10-14-1,5			
67	60573041.39	1	ROD Coupling 1/8 BSP			
68	60900502	1	Shutter 27			
69	51030008	21	Washer DIN 125-8			
70	57000375	2	Washer 17-22-1,5			
71	54030006	2	Washer DIN 125-6 INOX.			
72	53033005	7	Washer GROWER DIN 127-5			
73	52103258	10	Bolt DIN 912 M8-25 8.8			
74	60575047.10	1	Baseboard			
75	60573041.43	4	L Fastening Bracket			
76	53105104	8	Bolt DIN 7991 M5-10 12.9			
NS	17810011	1	PIPE JOIN			
NS	17A14007	1	Fuel Hose DNV			
NS	19411024.1	1	Rubber Plug(D. 22)			
NS	19414011	2	Fuel Hose			
NS	19414030	3	STRAIGHT COUPLING 3/8			
NS	19414031	3	BOLT 3/8			
NS	52102256	1	Bolt DIN 933 M8-16 8.8			
NS	53038010	1	Washer DIN 6798-A 10			
NS	54083079	2	GP Clamp 68-73 W4 STC			
NS	58088281	1	Pastic Cable Zip Tie			
NS	58088282	3	Pastic Cable Zip Tie			
NS	58088283	2	Pastic Cable Zip Tie			
NS	58088284	15	Pastic Cable Zip Tie			
NS	60573041.25G	1	Connector Adapter Parallel			
NS	CA.1.0.AM	0.0	CABLE SEC.1.0 YELLOW			

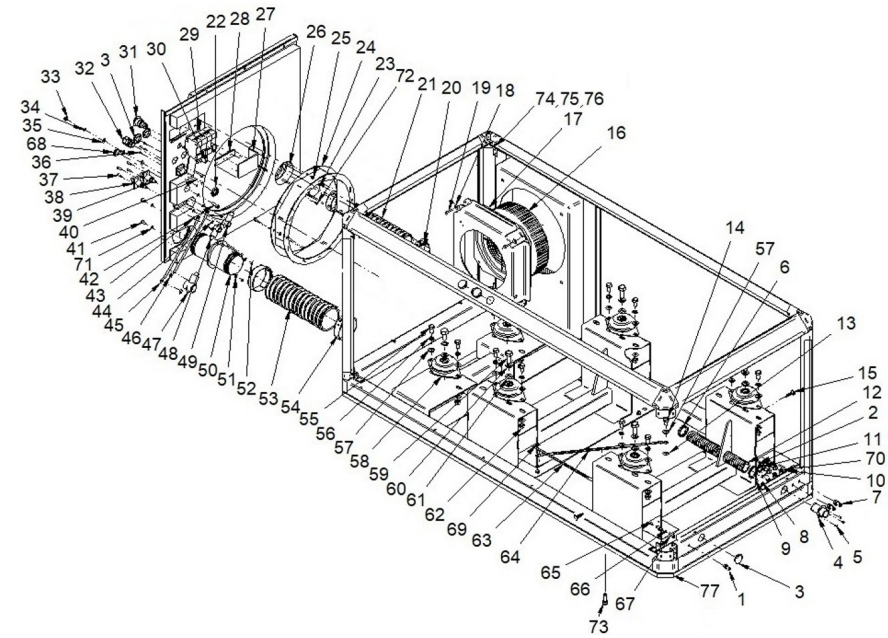


Genset 68 GT/GTC & 84 GTA/GTAC TAC

Canopy Spare Parts

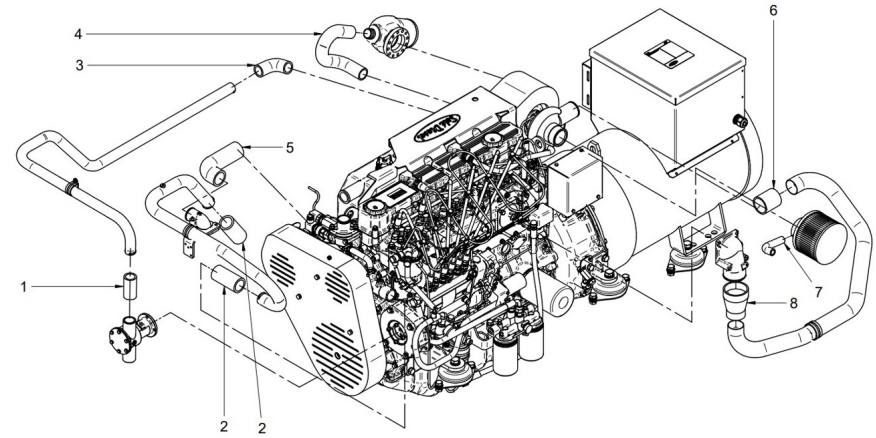
D SM81GTDN 09 2 Cabin Kit

Fig.	Ref.	Qty.	Descr.	Obs	From	UpTo
NS	CA.1.5.AZ	0.0	CABLE SEC.1.5 BLUE			
NS	CA.1.5.M	0.0	CABLE SEC.1.5 BROWN			
NS	CAP.FLEXI0048	1	Rubber Cap D. 4.8 X 13			
NS	CAP.FLEXI0077	1	Rubber Cap D. 7.7 X 13			
NS	CAP.FLEXI0111	2	Rubber Cap D. 11,1x19,1			
NS	M81101013	0.0	Tube D. 10			
NS	M8850102114	1.0	Exhaust Hose D. 102			



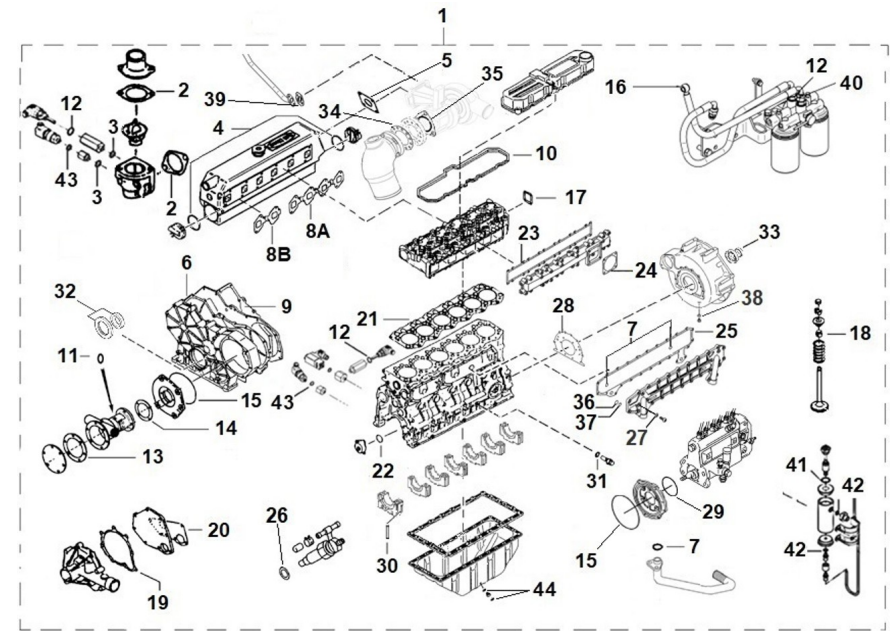
D 17A11100DNV Pipe Rubber Set,Water Line SM-81 (TAC)

<i>Fig.</i>	<i>Ref.</i>	<i>Qty.</i>	<i>Descr.</i>	<i>Obs</i>	<i>From</i>	<i>UpTo</i>
1	13611038	1	Pipe 30-40-75			
2	15211053	2	Pipe 38-50-100			
3	17411013	1	Thermostat Water Outlet Elbow			
4	17A10034	1	Silicone Hose Straight D50 L65			
5	17411035	1	Elbow Rubber			
6	17A11034	1	Elbow Hose			
7	17A11018	1	Elbow			
8	17A10030	1	Silicone Hose Straight Reducers			



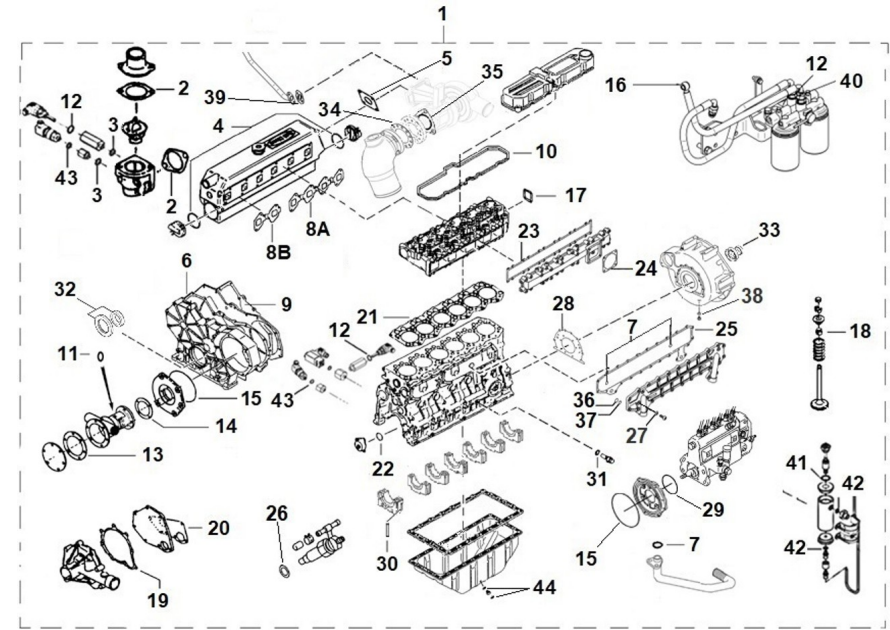
D 17A20101DNV Gasket Kit

Fig.	Ref.	Qty.	Descr.	Obs	From	UpTo
1	17A20101DNV	1	Gasket Kit			
2	17111021	2	Gasket			
3	56000073	3	Copper Washer 16-23-1,5			
4	18011008	2	O-Ring D. 72X3			
5	17A13002	1	Exhaust Gasket			
6	17420040	1	Gasket,Gear			
7	17424060	3	O-Ring D. 22X2,4			
8A	17421035	1	Gasket,Exhaust Manifold			
8B	17521035	1	Gasket			
9	17420018	1	Gasket,Front Plate			
10	17521010	1	Gasket,Rocker Cover			
11	33311013	1	O-Ring D. 15X2			
12	56000083	1	Washer 21-26-1,5			
13	34711003	1	Gasket Cover			
14	13310013	1	Gasket,water pump			
15	17420047	1	O-Ring D. 140X2			
16	57000369	4	Washer 14,2-20-1,5			
17	17421011	1	Gasket			
18	17422054	12	Seal,Valve Stem			
19	17421022	1	Gasket,Pump Cover			
20	17421041	1	Gasket,Side Cover			
21	17521004	1	Cylinder Head Gasket			
22	17424055	1	O-Ring D. 60X2			
23	17521032	1	Gasket,IN.MANIFold			
24	17421042	1	Gasket			
25	17524035	1	Gasket,Oil Cooler			
26	17024013	6	Gasket Nozzle			
27	17524007	6	Gasket			
28	17420025	1	Gasket,Rear			
29	17520075	1	O-Ring D. 75X25			
30	17420112	2	Seal,Valve			



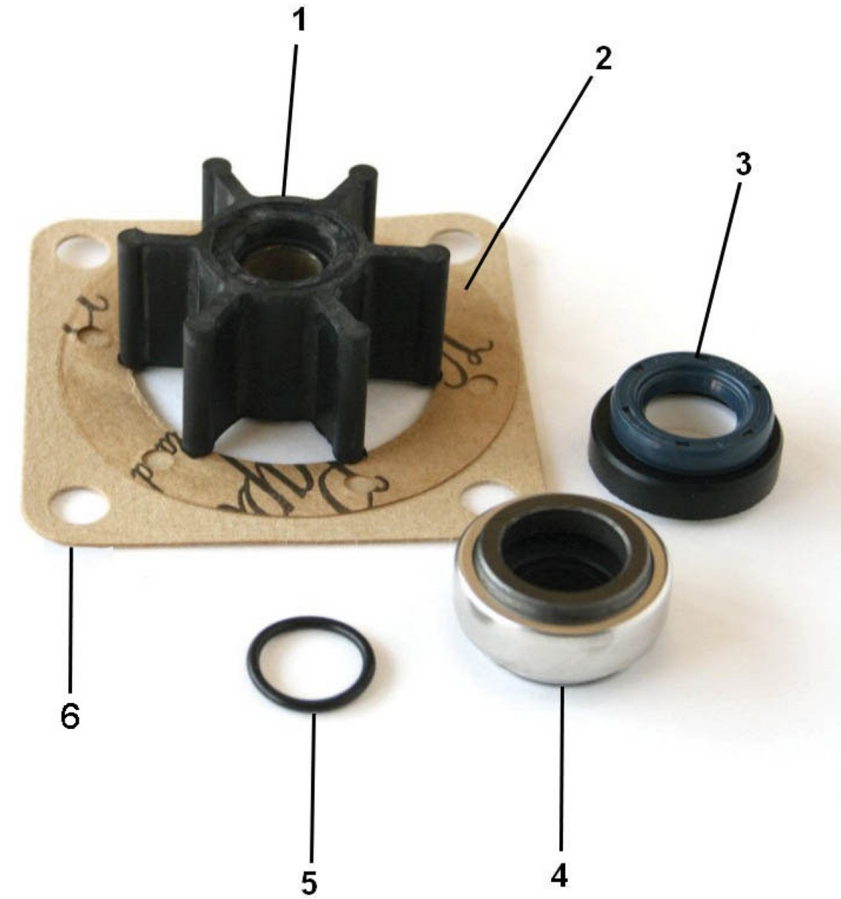
D 17A20101DNV Gasket Kit

Fig.	Ref.	Qty.	Descr.	Obs	From	UpTo
31	17424008	10	Washer,SealING			
	32A 17420039	1	Oil Seal			
	32B 17420039.1	1	Seal Assy,Oil			
33	13320063	1	Seal Oil			
34	16513016	1	Exhaust Elbow Gasket			
35	17A21014	1	Turbo Gasket			
36	17520017	2	O-Ring D. 30X3,4			
37	17520072	2	O-Ring D. 42X3,4			
38	56000077	1	Washer 18-23-1,5			
39	17524091	1	Gasket,Oil Pipe			
40	57000378	2	Washer 18-24-1,5			
41	56000086	1	Washer 22,3-29-1,5			
42	56000061	2	Washer 10-16-1,5			
43	56000067	2	Washer 13-20-1,5			
44	56000069	2	Washer 14-20-1,5			



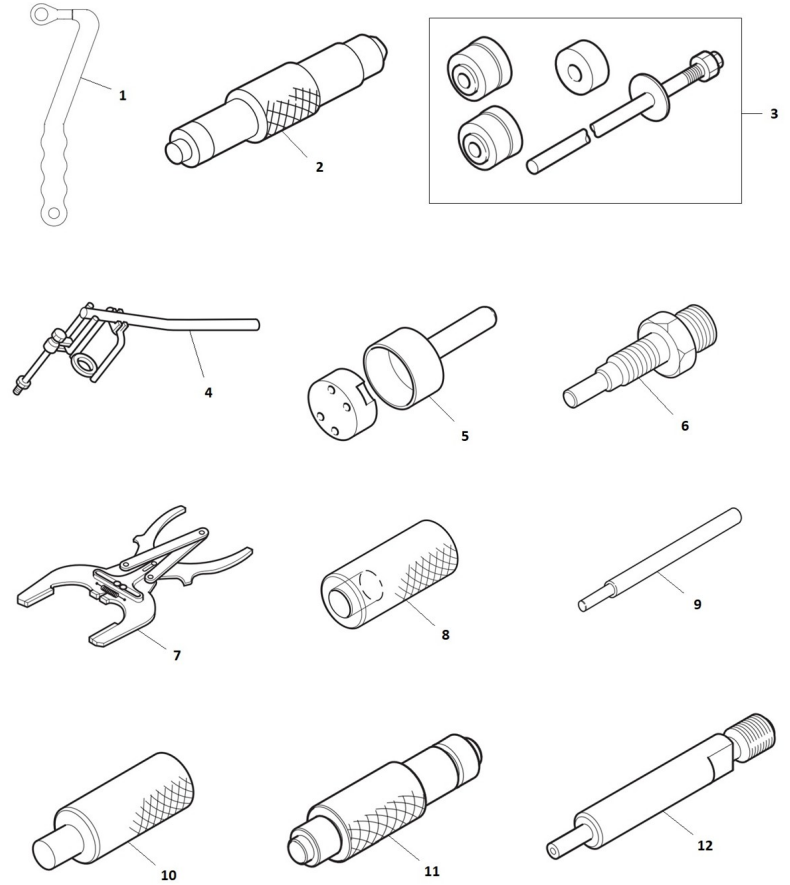
36511000K Repair Kit Water Pump 1"

<i>Fig.</i>	<i>Ref.</i>	<i>Qty.</i>	<i>Descr.</i>	<i>Obs</i>	<i>From</i>	<i>UpTo</i>
1	34711008	1	1" Impeller			
2	34711003	1	Gasket Cover			
3	36511020	1	Seal 16-30-7			
4	36511019	1	Seal			
5	33311013	1	O-Ring D. 15X2			
6	13310013	1	Gasket,water pump			



D UTILFA0971 1 Special Tools

Fig.	Ref.	Qty.	Descr.	Obs	From	UpTo
1	13811063	1	Refrigerator Mounting Key			
2	U3009107300	1	Idler Bushing Installer			
3	U3069100010	1	Camshaft Bushing Installer Set			
4	U3069104500	1	Valve Spring Pusher			
5	U3069113010	1	Oil seal sleeve installer set			
6	U3069121100	1	Gauge Adapter			
7	UMM74007	1	Piston Ring Pliers			
8	U32A9100100	1	Valve Guide Installer			
9	U32A9100300	1	Valve Guide Remover			
10	U32A9100400	1	Oil Pump Bushing Installer			
11	U32A9100500	1	Connecting rod bushing puller			
12	U32A9101100	1	Gauge adapter (direct injection)			



D UTILFA0971 2 Special Tools

<i>Fig.</i>	<i>Ref.</i>	<i>Qty.</i>	<i>Descr.</i>	<i>Obs</i>	<i>From</i>	<i>UpTo</i>
14	19440400.2	1	Compression Manometer 10-60 Bar			
15	U3449100200	1	Piston Installer			
16	U3449103020	1	Valve Sheet Insert Caulking Tool			
17	U3679100200	1	Valve Sheet Insert Caulking Tool			
18	UMH061077	1	Idler Shaft Puller			

