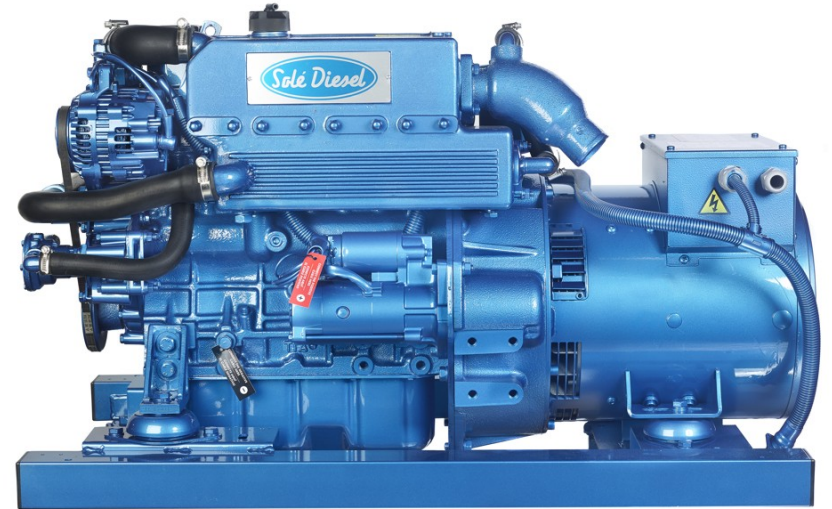




Genset 17 GT/GTC & 20 GTA/GTAC Type Approval Certificate

VERSION 2024-3

PART LIST



PARTS LIST CATALOGUE

NORMS TO PLACE AN ORDER

For fast and more efficient service, please specify the following information on spare parts orders that must be preferably done by e-mail as specified below:

- 1- Engine model: As shown in identification plate
- 2- Engine serial number: As shown in identification plate and stamped on crankcase
- 3- Item description + part number + quantity required

Spare parts requests must be addressed to :

orders@solediesel.com

Telf.: +34 93 775 44 05

The components shown in the catalog have:

- Figure: Number by which they are represented in scheme
- Description: Trade name of the component
- Quantity: Total number of parts used in the assembly of the part represented (may differ from the total minimum quantities)

Hoses, indicates the total length in meters

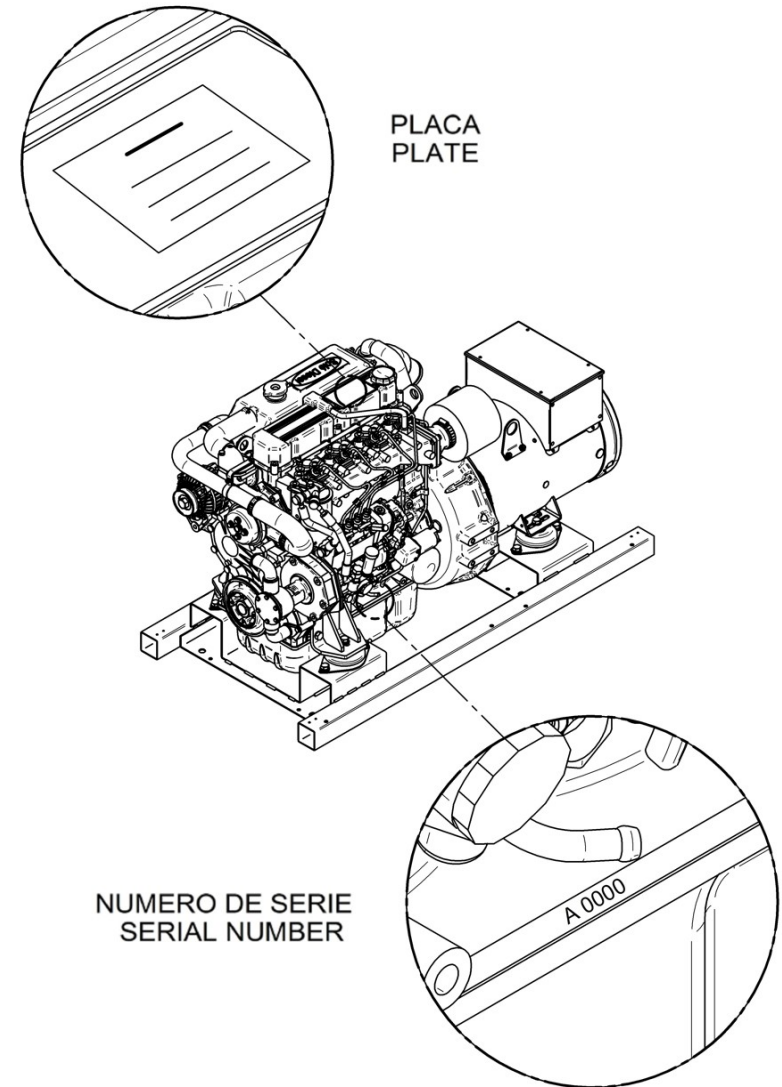
The diagrams shown in this catalog of spare parts, have only the purpose to identify the piece in question, its representation is not meaningful and may differ from the actual piece.

In case of doubt, contact Solé Diesel, or your authorized dealer.

The parts i / or references in this catalog are subject to change without notice.

SOLE, S.A.

C-243b, km, 2 - P.O. BOX 25
08760 Martorell (Barcelona) Spain



Index

Engine Body

- Cylinder Head
- Rocker Cover & Breather
- Valve Drive
- Timing Parts
- Gear Case
- Crankcase
- Rear Plate
- Piston & Connecting Rod
- Crankshaft & Flywheel
- Oil System
- Oil Pan
- Engine Brackets
- Drive Belt Guard For Genset Without Canopy

Inlet & Exhaust

- Inlet

Cooling System

- Water Pump
- Cooler Pipes
- Water Cooler Assy MINI-44 TAC
- Wet Exhaust
- Splined Pump 1/2" MINI-11/17/29/33/44

Fuel System

- Fuel Pipe And Fuel Leak Alarm
- Injection Nozzle
- Fuel Injection Pump
- Governor Parts
- Fuel Supply Parts

Electrical System

- Electrical System 12V
- Electrical System 24V
- Parallel control system 12V
- Control and Power Cabinets
- Genset Extension TAC

Genset Alternator Spare Parts

- Alternator 17 GT/GTC and 20 GTA/GTAC
- Alternator Spare Parts

Genset Alternator Kit

- Alternator Kit Without Canopy
- Alternator Kit With Canopy 400/230V And 480/277V
- Alternator Kit With Canopy 230V And 240V

Chassis

Canopy Spare Parts

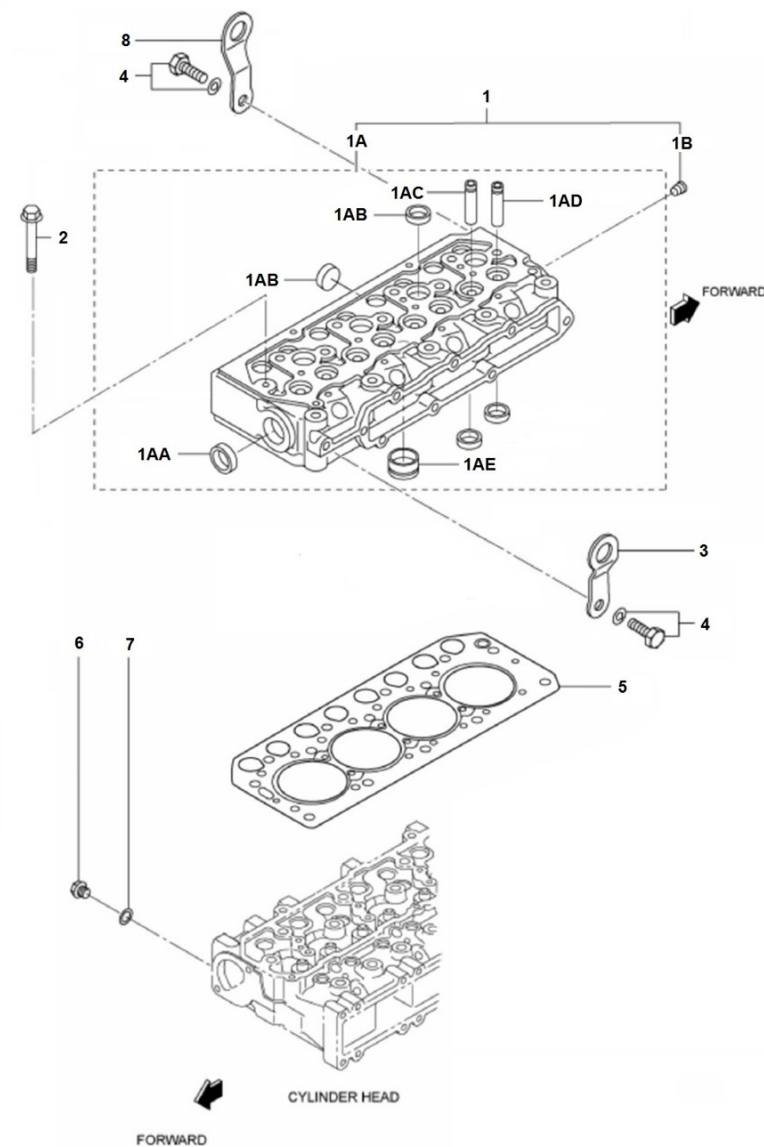
- Cabin
- Canopy Kit

Maintenance Kit

- Gasket Kit
- Pipe Rubber Set, Water Line TAC
- Repair Kit Water Pump 1/2"
- Special Tools

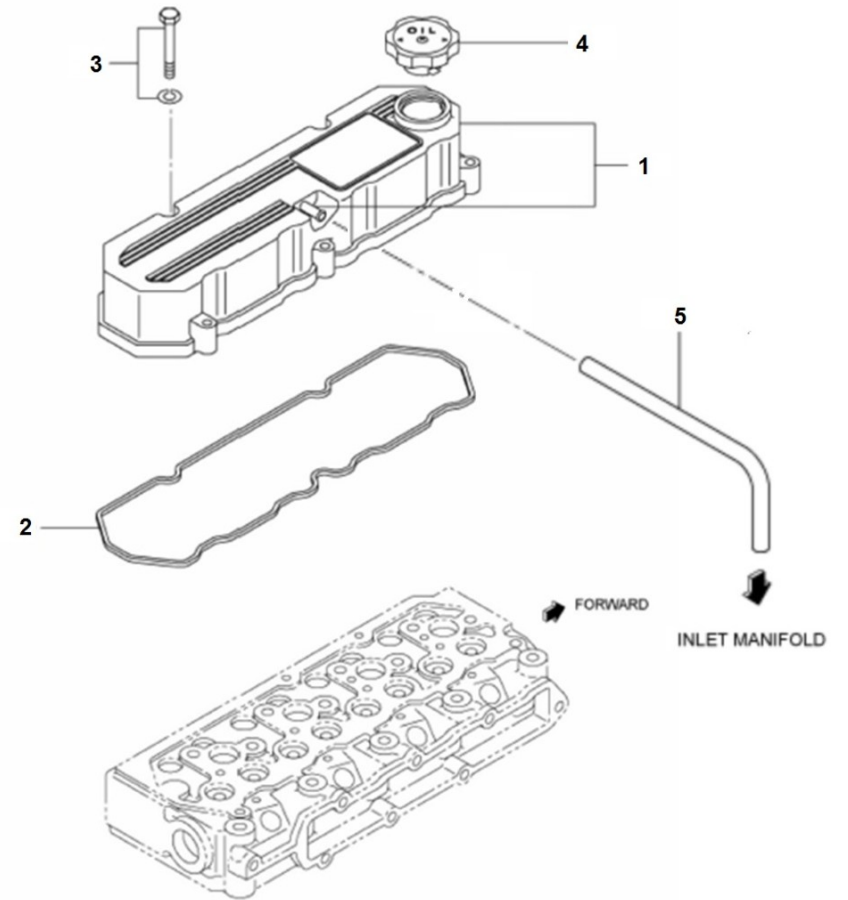
D_GD01_1_1 **Cylinder Head**

| Fig. | Ref. | Qty. | Descr. | Obs | From | UpTo |
|------|-------------|------|-----------------------------|-----|------|------|
| 1 | 17321001G.1 | 1 | Head Assy,cylinder | | | |
| 1A | 17321002 | 1 | Cylinder Head | | | |
| 1AA | 17020012 | 1 | Cap | | | |
| 1AB | 13220012 | 7 | Cap Sealing | | | |
| 1AC | 17221002 | 4 | Guide, Valve Exhaust | | | |
| 1AD | 17221003 | 4 | Guide, Valve, Inlet | | | |
| 1AE | 17221015G | 4 | Jet, Combustion (Generator) | | | |
| 1B | 17820011 | 1 | Plug, Tapered | | | |
| 2 | 17221005 | 14 | Bolt,cylinder head | | | |
| 3 | 13221011 | 1 | HANGER Engine | | | |
| 4 | 17720010 | 2 | Bolt,W/Washer | | | |
| 5 | 17321004 | 1 | Gasket, Cylinder Head | | | |
| 6 | 17121016 | 1 | Plug, drain | | | |
| 7 | 17121013 | 1 | Gasket | | | |
| 8 | 17210008 | 1 | HANGER, Engine | | | |



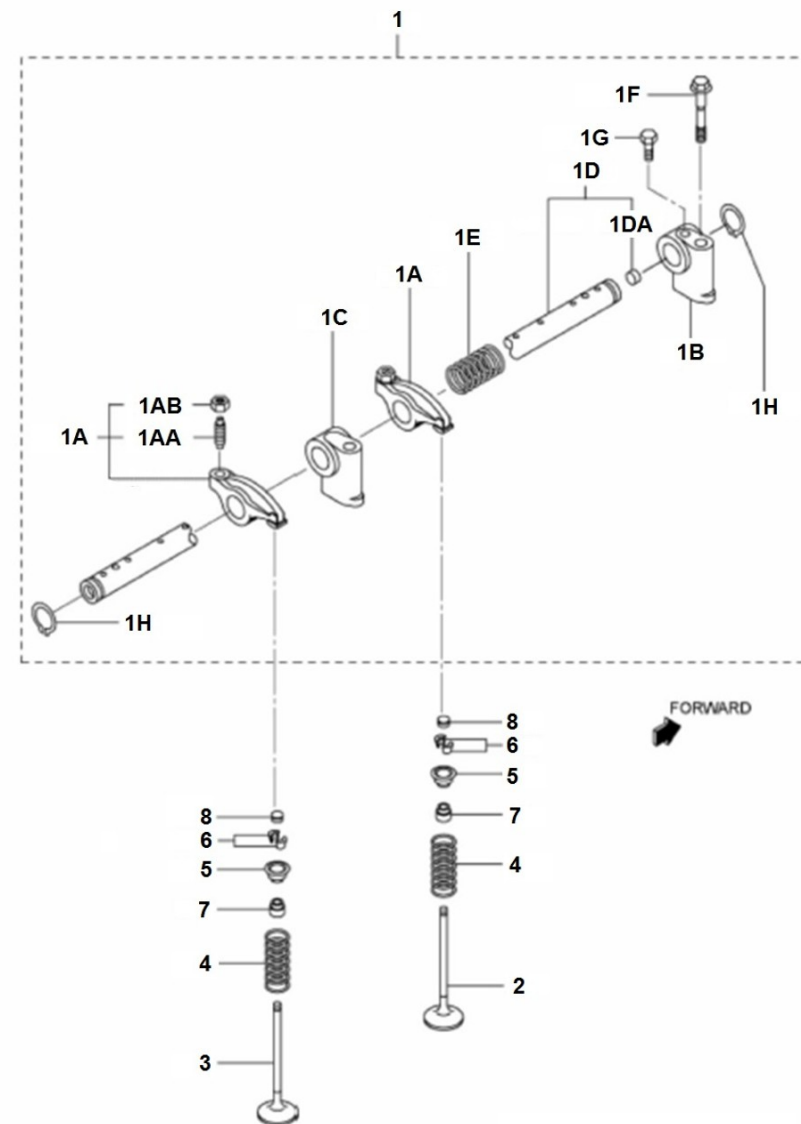
D_GD01_1_2 **Rocker Cover & Breather**

| Fig. | Ref. | Qty. | Descr. | Obs | From | UpTo |
|------|-------------|------|---------------------------|-----|------|------|
| 1 | 17321009 | 1 | Cover Assy, Rocker | | | |
| 2 | 17321010 | 1 | Rocker Cover Gasket | | | |
| 3 | 17421014G.1 | 5 | Bolt W/Washer (Generator) | | | |
| 4 | 17221003G | 1 | Cap Oil Filler | | | |
| 5 | 17321006.4 | 1 | Hose Breather | | | |



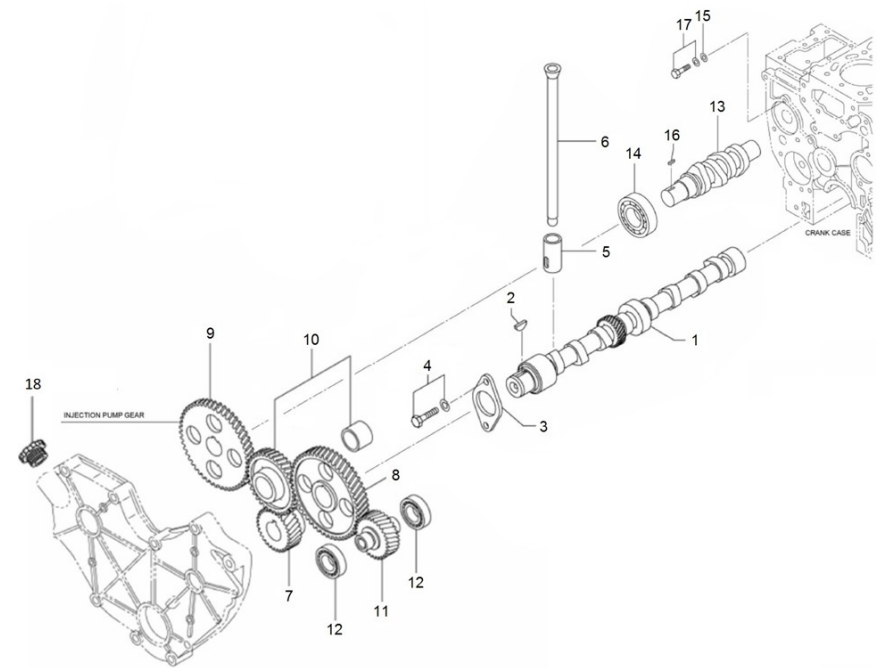
D_GD01_1_3 **Valve Drive**

| Fig. | Ref. | Qty. | Descr. | Obs | From | UpTo |
|------|-------------|------|------------------------|-----|------|------|
| 1 | 17322001 | 1 | Shaft, Rocker Arm-In | | | |
| 1A | 17222142G | 8 | Rocker Assy | | | |
| 1AA | 17122044 | 8 | Screw Adjusting | | | |
| 1AB | 17122060 | 8 | Nut | | | |
| 1B | 17222048 | 1 | Bracket, Rocker Shaft | | | |
| 1C | 17222049 | 3 | Bracket, Rocker Shaft | | | |
| 1D | 17322046.4 | 1 | Shaft Assy, Rocker | | | |
| 1DA | 17222025.4 | 2 | Cap, Sealing | | | |
| 1E | 17422047G.1 | 3 | Spring,Rocker | | | |
| 1F | 17222053.5G | 4 | Bolt | | | |
| 1G | 17222053 | 1 | Bolt | | | |
| 1H | 17222050 | 2 | Ring, SNAP | | | |
| 2 | 17222055G | 4 | Intake Valve (Genset) | | | |
| 3 | 17222056G | 4 | Exhaust Valve (Genset) | | | |
| 4 | 17222057 | 8 | Spring, Valve, INNER | | | |
| 5 | 13822058 | 8 | Retainer Valve SP | | | |
| 6 | 13222059 | 16 | Lock Valve | | | |
| 7 | 13222054 | 8 | Seal Valve Stem | | | |
| 8 | 13822069 | 8 | Cap Stem | | | |

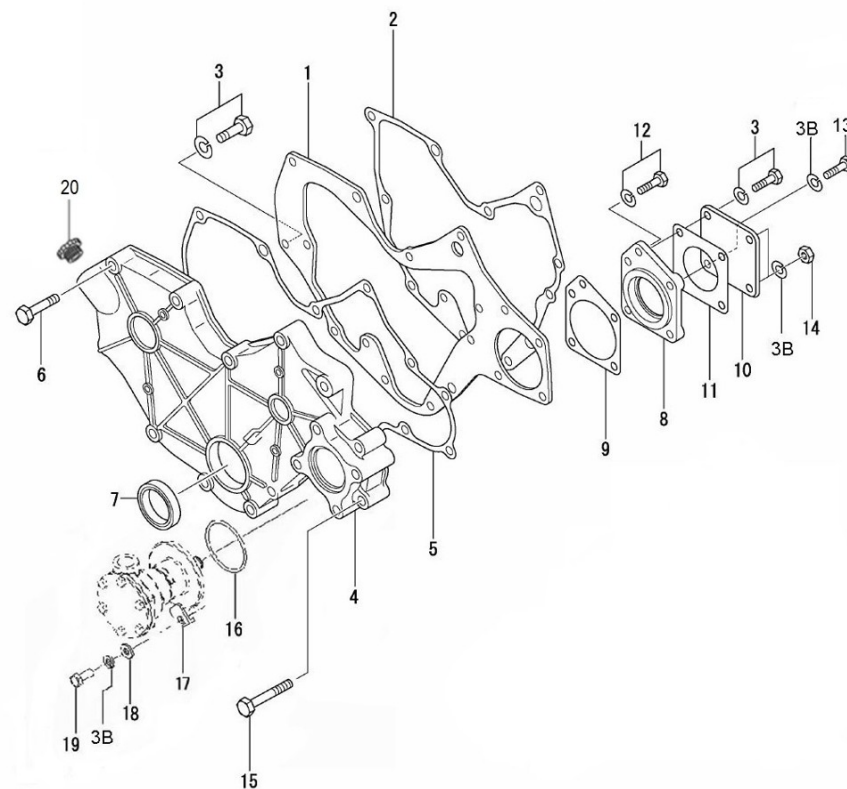


D_GD01_1_4 Timing Parts

| Fig. | Ref. | Qty. | Descr. | Obs | From | UpTo |
|------|-------------|------|----------------------------|-----|------|------|
| 1 | 17322035 | 1 | CamShaft | | | |
| 2 | 13222020 | 1 | KEY | | | |
| 3 | 17422075 | 1 | Plate,THRUST | | | |
| 4 | 17821012 | 2 | Bolt,W/Washer | | | |
| 5 | 13222061 | 8 | Tappet | | | |
| 6 | 17222041 | 8 | ROD, PUSH | | | |
| 7 | 17222021 | 1 | Gear, CrankShaft | | | |
| 8 | 17222037 | 1 | Gear, CamShaft | | | |
| 9 | 17222043 | 1 | Gear, Injection Pump | | | |
| 10 | 17222038 | 1 | Gear Assy, IDLER | | | |
| 11 | 17222066G.1 | 1 | Gear, Pressure Oil Pump | | | |
| 12 | 17022067 | 2 | Ball Bearing 6205-C3 | | | |
| 13 | 17322040 | 1 | Shaft, Fuel Injection Pump | | | |
| 14 | 13222062 | 1 | Ball Bearing 6228 | | | |
| 15 | 17222065 | 1 | Washer | | | |
| 16 | 17622060.4 | 1 | Key, Sunk | | | |
| 17 | 17422037G.1 | 1 | Bolt W/Washer (Generator) | | | |
| 18 | 17621003 | 1 | Cap Oil FILLER | | | |

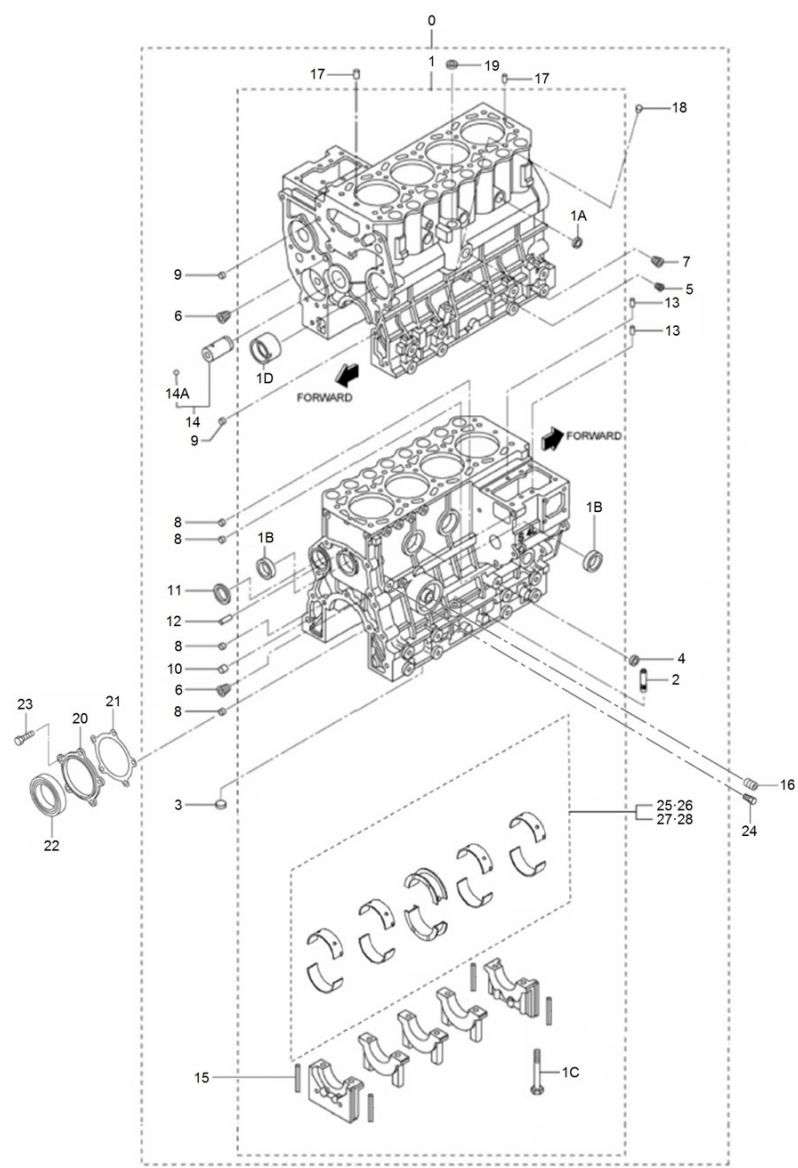


| D_MID1_1_5 | | Gear Case | | | | |
|------------|------------|-----------|-------------------------|-----|------|------|
| Fig. | Ref. | Qty. | Descr. | Obs | From | UpTo |
| 1 | 17220024 | 1 | Plate, Front | | | |
| 2 | 17220018 | 1 | Gasket, Front Plate | | | |
| 3A | 52102256 | 5 | Bolt DIN 933 M8-16 8.8 | | | |
| 3B | 53033008 | 12 | Washer GROWER DIN 127-8 | | | |
| 4 | 17220035 | 1 | Case Gear | | | |
| 5 | 17220040 | 1 | Gasket, Gear Case | | | |
| 6 | 17220034.4 | 8 | Bolt | | | |
| 7 | 13220039 | 1 | Seal Oil | | | |
| 8 | 17220037 | 1 | Housing, Gear Pump | | | |
| 9 | 17220038 | 1 | Gasket, Housing | | | |
| 10 | 13120046 | 1 | Cover Oil Pump SH | | | |
| 11 | 13120047 | 1 | Gasket Water Pump | | | |
| 12 | 13322078 | 1 | Bolt | | | |
| 13 | 52101260 | 1 | Bolt DIN 931 M8-35 8.8 | | | |
| 14 | 17120049 | 2 | Nut M8 | | | |
| 15 | 17024062 | 2 | Bolt | | | |
| 16 | 17011007 | 1 | O-Ring D. 57X3 | | | |
| 17 | 13811062 | 4 | Pump Bracket | | | |
| 18 | 51030008 | 4 | Washer DIN 125-8 | | | |
| 19 | 52102257 | 4 | Bolt DIN 933 M8-20 8.8 | | | |
| 20 | 17621003 | 1 | Cap Oil FILLER | | | |



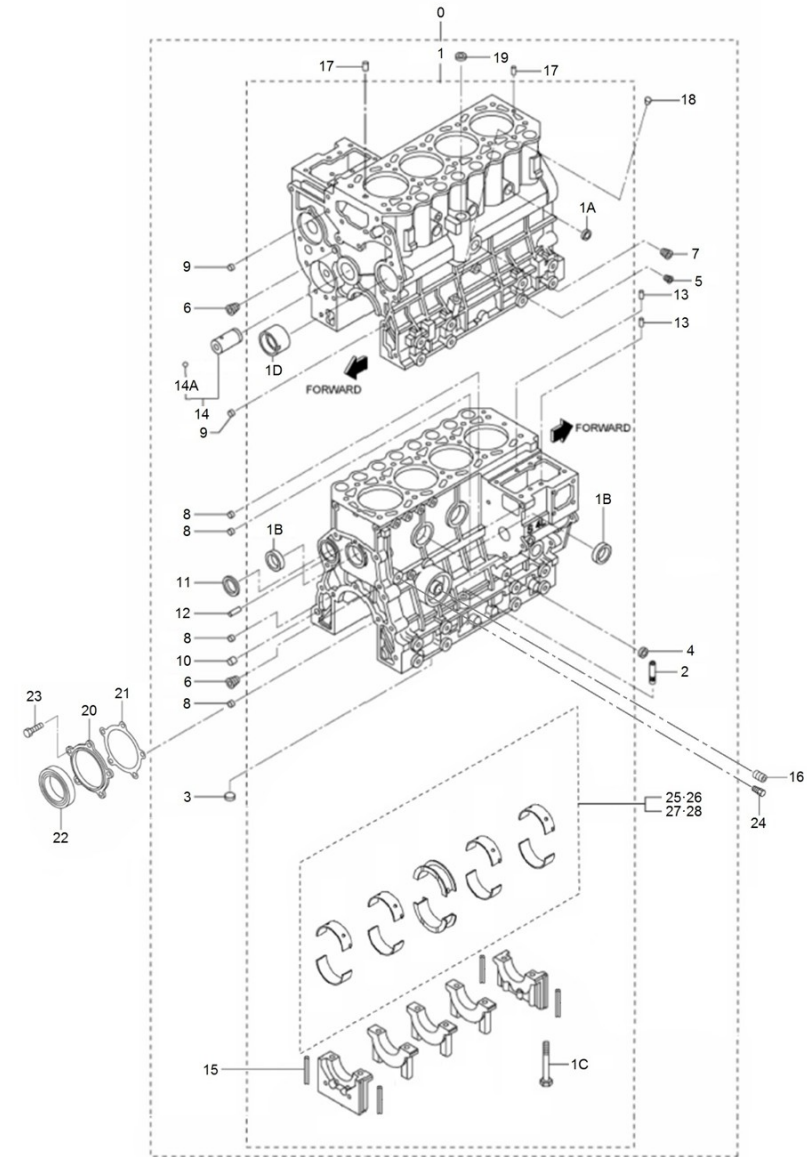
D_GD01_1_6 **Crankcase**

| Fig. | Ref. | Qty. | Descr. | Obs | From | UpTo |
|------|-------------|------|------------------------|-----|------|------|
| 0 | 17320001G.1 | 1 | Block Assy, Cylinder | | | |
| 1 | (*) | 1 | Not available | | | |
| 1A | 17220006 | 3 | Cap, Sealing | | | |
| 1B | 13320006 | 3 | Cap, Sealing | | | |
| 1C | 17220009 | 10 | Bolt Bearing Cap | | | |
| 1D | 17220011 | 1 | Bushing, CamShaft | | | |
| 2 | 17620007.4 | 1 | Guide | | | |
| 3 | 17220012.4 | 1 | Cap, Sealing | | | |
| 4 | 17220013 | 1 | Cap, Sealing | | | |
| 5 | 17820011 | 1 | Plug, Tapered | | | |
| 6 | 17720011 | 2 | Plug, TAPERED | | | |
| 7 | 17120021 | 1 | Plug, taper | | | |
| 8 | 13120009 | 4 | Bushing | | | |
| 9 | 13220021 | 2 | Bushing KNOCK | | | |
| 10 | 13220022 | 1 | BUSHING, KNOCK | | | |
| 11 | 17220019 | 1 | Plug, Expansion | | | |
| 12 | 17620020.4 | 1 | Pin | | | |
| 13 | 17620036.4 | 2 | Pin Dowel | | | |
| 14 | 17220014 | 1 | Shaft Assy, IDLER | | | |
| 14A | 17220028 | 1 | Ball | | | |
| 15 | 17220002 | 4 | Seal, Side | | | |
| 16 | 13124047 | 1 | Shaft Oil Filter | | | |
| 17 | 17120019 | 2 | Pin, dowel | | | |
| 18 | 17220023 | 1 | Plug, TAPER | | | |
| 19 | 17020014 | 1 | Cap | | | |
| 20 | 17220015 | 1 | Case, Oil Seal | | | |
| 21 | 17220016 | 1 | Gasket, Oil Seal Case | | | |
| 22 | 17220063 | 1 | Seal, Oil | | | |
| 23 | 52102257 | 5 | Bolt DIN 933 M8-20 8.8 | | | |
| 24 | 17824003 | 1 | Plug, Tapered | | | |
| 25 | 13220003 | 1 | Bearing Set CRANK | | | |



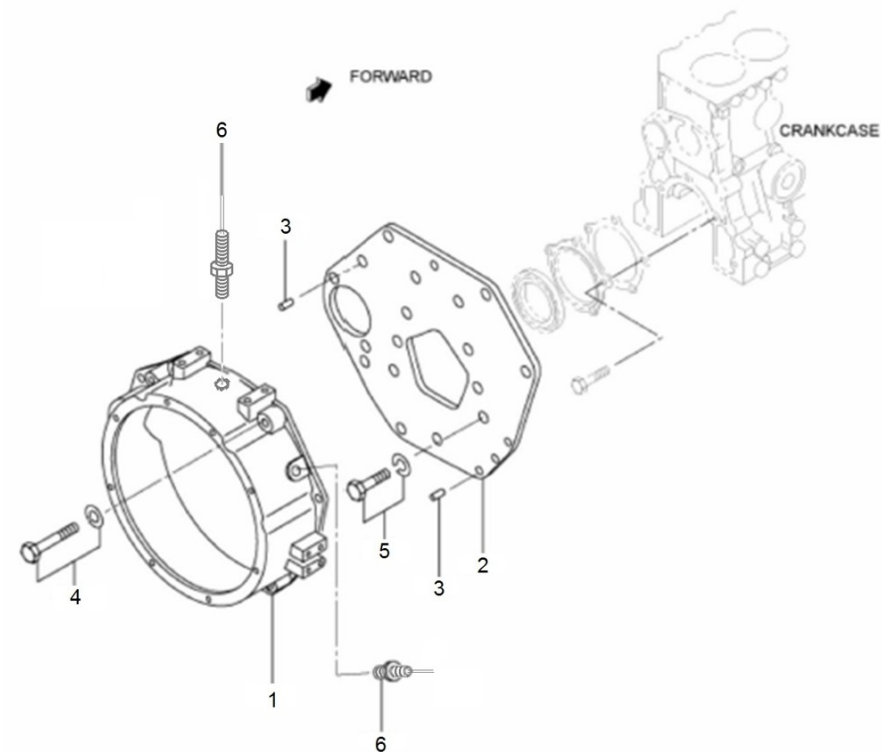
D_GD01_1_6 Cranckcase

| Fig. | Ref. | Qty. | Descr. | Obs | From | UpTo |
|------|----------|------|-------------------|-----|------|------|
| 26 | 13220004 | 1 | Bearing Set CRANK | | | |
| 27 | 17320005 | 1 | Bearing Set Crank | | | |
| 28 | 17320006 | 1 | Bearing Set Crank | | | |



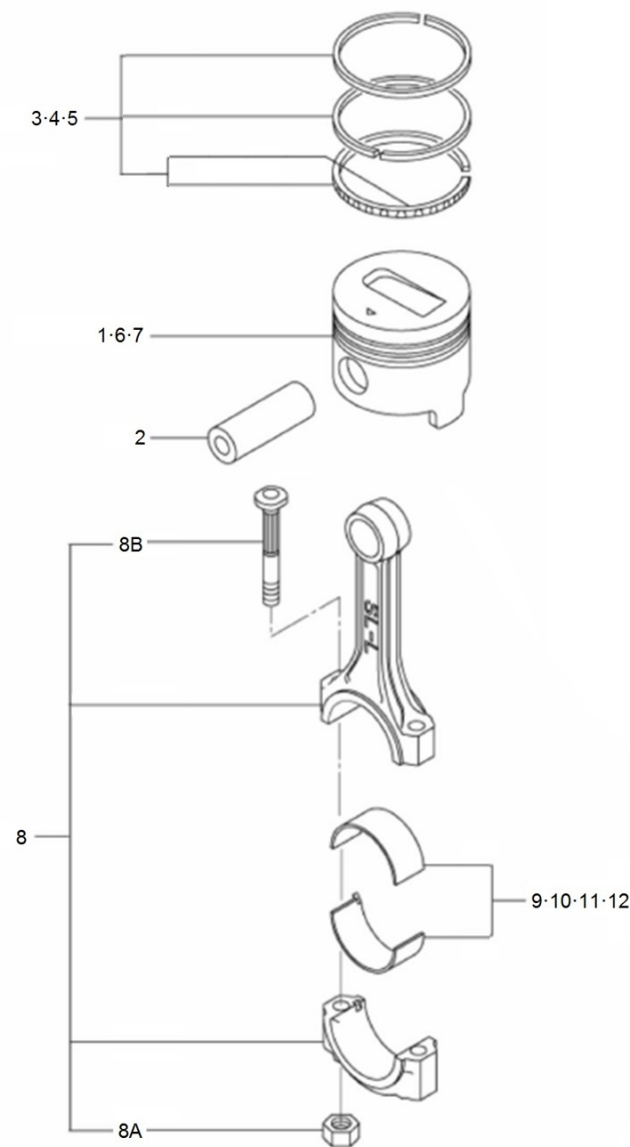
D_MI44GSTDN_01_7 Rear Plate

| Fig. | Ref. | Qty. | Descr. | Obs | From | UpTo |
|------|-----------|------|--|-----|------|------|
| 1 | 17220004G | 1 | Housing Flywheel Double Pick-Up(Generator) | | | |
| 2 | 17220017 | 1 | Plate, REAR | | | |
| 3 | 17320026 | 2 | Pin | | | |
| 4 | 17320018 | 2 | Bolt | | | |
| 5 | 17320019 | 13 | Bolt | | | |
| 6 | 60972519 | 2 | Magnetic Speed Sensor | | | |



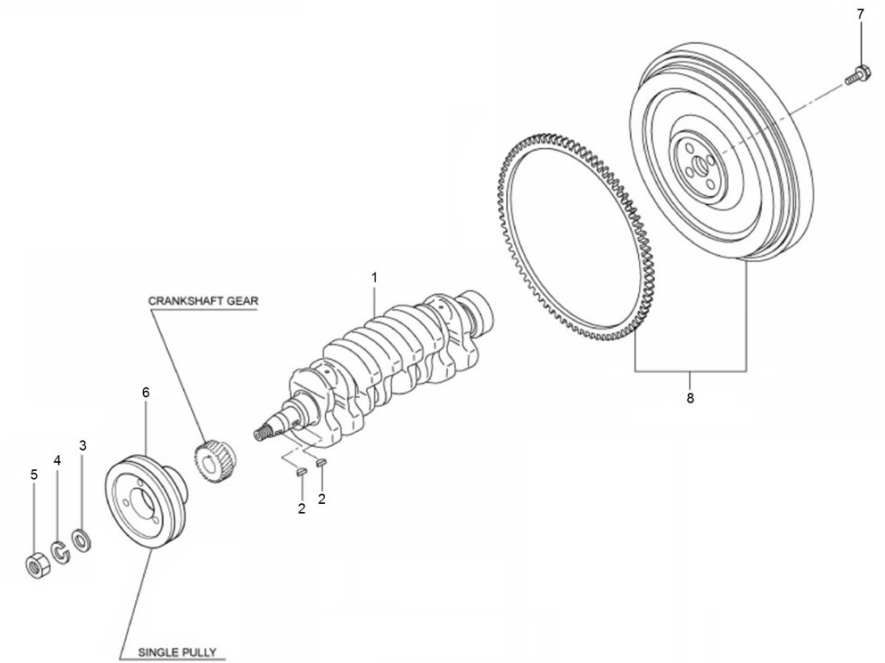
D_GD01_1_8 Piston & Connecting Rod

| Fig. | Ref. | Qty. | Descr. | Obs | From | UpTo |
|------|----------|------|---------------------------|-----|------|------|
| 1 | 17222005 | 4 | Piston | | | |
| 2 | 17222009 | 4 | Pin, Piston | | | |
| 3 | 17722006 | 4 | Ring Set,Piston STD. | | | |
| 4 | 17722007 | 4 | Ring Set,Piston O.S 0.25 | | | |
| 5 | 17722008 | 4 | Ring Set,Piston O.S 0.50 | | | |
| 6 | 17322012 | 4 | Piston + 0,25 | | | |
| 7 | 17322013 | 4 | Piston + 0,50 | | | |
| 8 | 17322010 | 4 | ROD Assy, CONNECTING | | | |
| 8A | 17022011 | 8 | Nut,connecting rod | | | |
| 8B | 17222013 | 8 | Bolt,connecting rod | | | |
| 9 | 17222014 | 4 | Metal Set, Con Rod STD. | | | |
| 10 | 17222015 | 4 | METAL Set, CON ROD - 0,25 | | | |
| 11 | 17222016 | 4 | METAL Set, CON ROD - 0,50 | | | |
| 12 | 17222017 | 4 | METAL Set, CON ROD - 0,75 | | | |



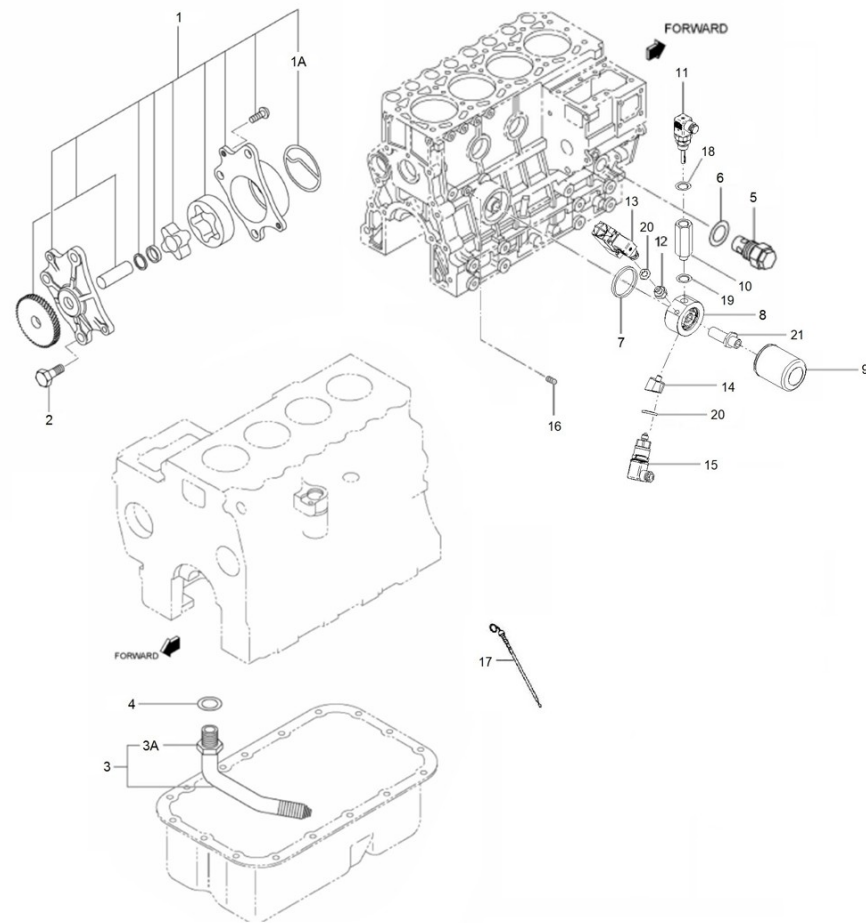
D_GD01_1_9 Crankshaft & Flywheel

| Fig. | Ref. | Qty. | Descr. | Obs | From | UpTo |
|------|-------------|------|--------------------------|-----|------|------|
| 1 | 17322018 | 1 | CrankShaft | | | |
| 2 | 13222020 | 2 | KEY | | | |
| 3 | 17222051 | 1 | Washer, Plain | | | |
| 4 | 53033018 | 1 | Washer GROWER DIN 127-18 | | | |
| 5 | 13222026 | 1 | Nut | | | |
| 6 | 17322024.4 | 1 | Pulley CrankShaft | | | |
| 7 | 17022031 | 4 | Bolt Drive | | | |
| 8 | 17322027G.1 | 1 | Flywheel Assy | | | |



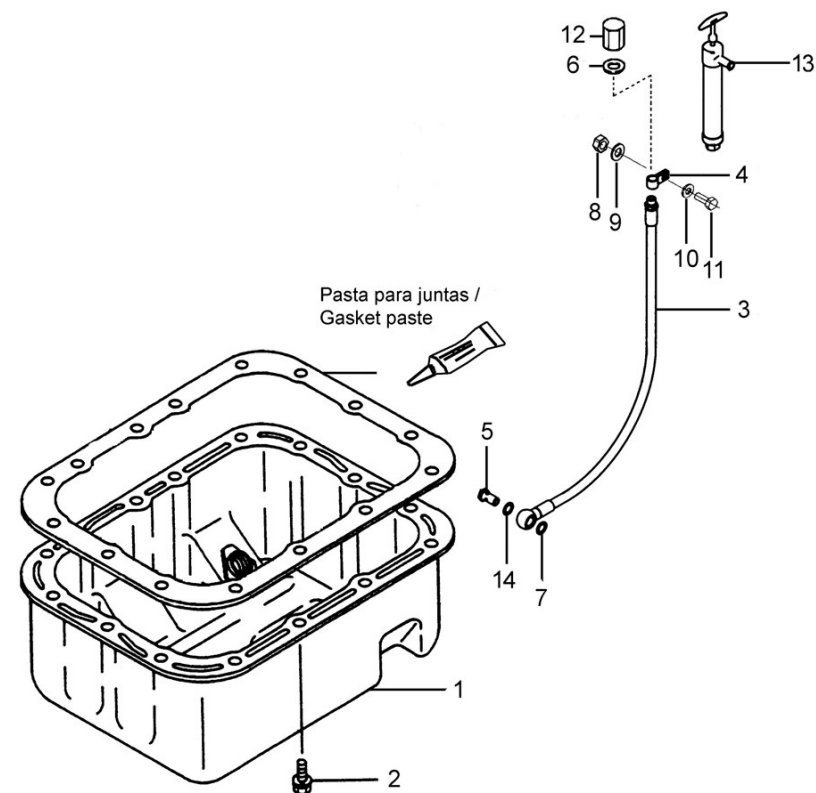
D_MI44GSTDN_01_10 Oil System

| Fig. | Ref. | Qty. | Descr. | Obs | From | UpTo |
|------|-------------|------|---------------------------------------|-----|------|------|
| 1 | 17224040 | 1 | Pump Assy, Oil | | | |
| 1A | 17224041 | 1 | Packing, Body | | | |
| 2 | 17302258 | 3 | Bolt | | | |
| 3 | 13224052 | 1 | SCREEN Assy Oil | | | |
| 3A | 13822026 | 1 | Nut | | | |
| 4 | 17024001 | 1 | Gasket | | | |
| 5 | 17124071 | 1 | Valve, Assy | | | |
| 6 | 17424063 | 1 | Gasket | | | |
| 7 | 13812015.05 | 1 | Remote Oil Filter Gasget | | | |
| 8 | 17314030 | 1 | Fuel filter Racor Flange | | | |
| 9 | 13124051 | 1 | Oil Filter Element from MINI 11 to 55 | | | |
| 10 | 17A17028 | 1 | Conversion Adapter G1/2 a 3/8 | | | |
| 11 | 60994075 | 1 | Temperature Sensor | | | |
| 12 | 17A17032 | 1 | Conversion Adapter R 1/8 A G1/4 | | | |
| 13 | 6097A072 | 1 | Compact Pressure Switch | | | |
| 13A | 60900956 | 1 | 10k ohm Resistor | | | |
| 14 | 17A17035.1 | 1 | Conversion Adapter G1/4 a G1/8 BSPT | | | |
| 15 | 60994076 | 1 | Marine Approved Pressure Transmitters | | | |
| 16 | 17820011 | 1 | Plug, Tapered | | | |
| 17 | 17220029 | 1 | Gauge Oil LEVEL | | | |
| 18 | 56000083 | 1 | Washer 21-26-1,5 | | | |
| 19 | 56000077 | 1 | Washer 18-23-1,5 | | | |
| 20 | 56000020 | 2 | Washer 14,3-22-1 | | | |
| 21 | 17314031 | 1 | Special Eye Bolt M10 | | | |



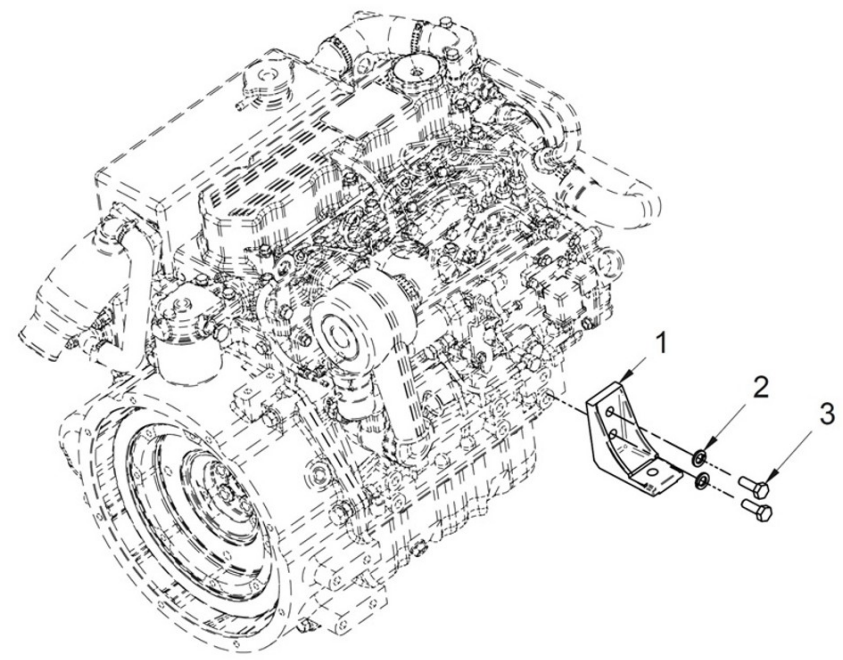
D_GD01_1_11 Oil Pan

| Fig. | Ref. | Qty. | Descr. | Obs | From | UpTo |
|------|-----------|------|------------------------------|-----|------|------|
| 1 | 17320030G | 1 | PAN Assy, Oil (Generator) | | | |
| 2 | 17821012 | 17 | Bolt,W/Washer | | | |
| 3 | 17214021 | 1 | ExtraCTION, Hose | | | |
| 4 | 17214022 | 1 | Bracket, Pipe | | | |
| 5 | 12814051 | 1 | Screw,eye | | | |
| 6 | 56000217 | 1 | Washer 13-20-3 | | | |
| 7 | 56000219 | 1 | Washer 14-20-3 | | | |
| 8 | 52220012 | 1 | Nut DIN 934 M12-1,25 8.8 | | | |
| 9 | 51030012 | 1 | Washer DIN 125-12 | | | |
| 10 | 53038012 | 1 | Washer DIN 6798-A 12 | | | |
| 11 | 52202363 | 1 | Bolt DIN 933 M12-1,25-50 8.8 | | | |
| 12 | 16514020 | 1 | Plug | | | |
| 13 | 14714001 | 1 | Oil Extraction Pump | | | |
| 14 | 56000069 | 1 | Washer 14-20-1,5 | | | |



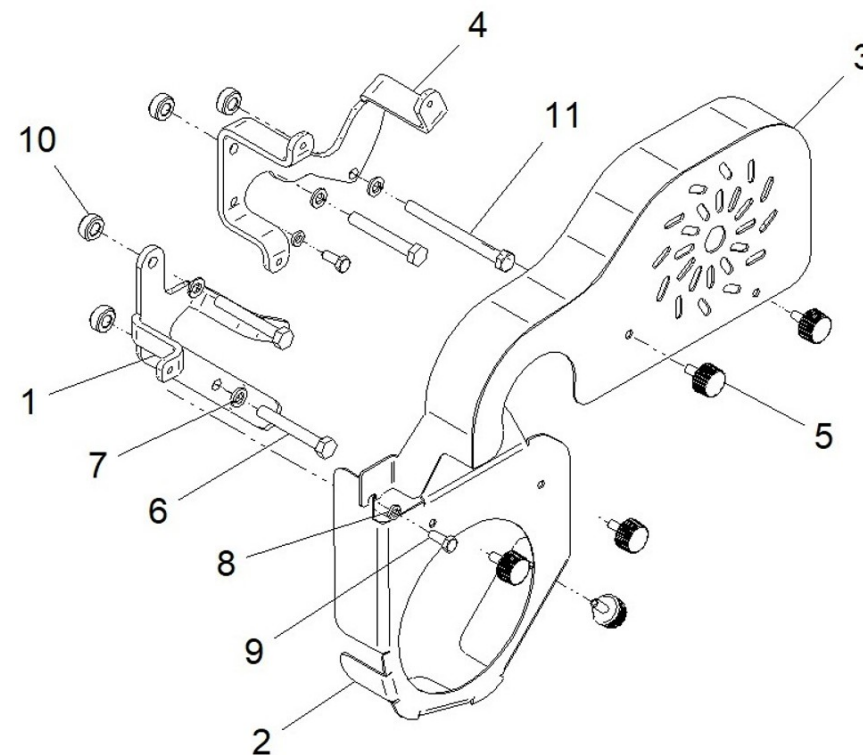
D_GC01_1_12 Engine Brackets

| Fig. | Ref. | Qty. | Descr. | Obs | From | UpTo |
|------|----------|------|------------------------------|-----|------|------|
| 1 | 17210034 | 2 | Front Bracket | | | |
| 2 | 53033012 | 2 | Washer Grower DIN 127-12 | | | |
| 3 | 52202359 | 2 | Bolt DIN 933 M12-1,25-30 8.8 | | | |



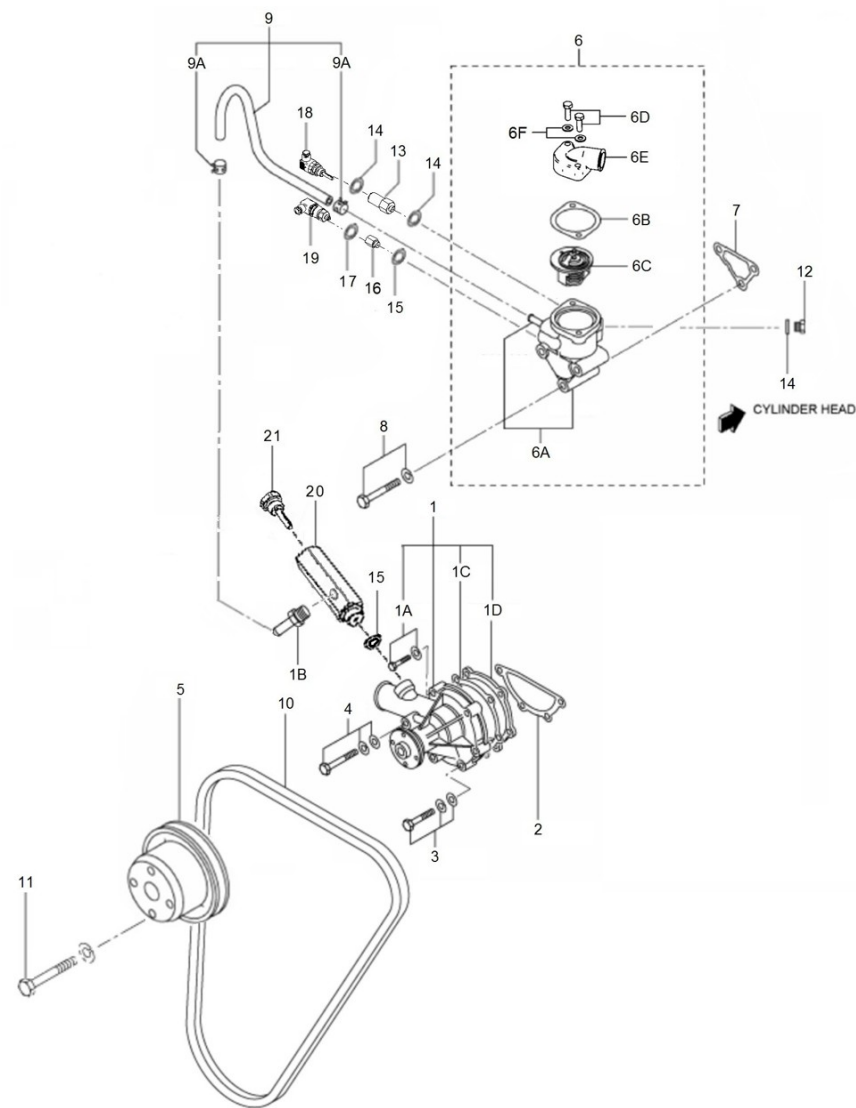
D_MI44GSTDN_01_13 Drive Belt Guard For Genset Without Canopy

| Fig. | Ref. | Qty. | Descr. | Obs | From | UpTo |
|------|----------|------|-------------------------|-----|------|------|
| 1 | 17310040 | 1 | Bracket | | | |
| 2 | 17310041 | 1 | Drive Belt Guard | | | |
| 3 | 17310043 | 1 | Drive Belt Guard | | | |
| 4 | 17310042 | 1 | Bracket | | | |
| 5 | 13810247 | 5 | Grip Knob M6 | | | |
| 6 | 52101265 | 3 | Bolt DIN 931 M8-60 8.8 | | | |
| 7 | 53033008 | 4 | Washer GROWER DIN 127-8 | | | |
| 8 | 51030006 | 2 | Washer DIN 125-6 | | | |
| 9 | 52102156 | 2 | Bolt DIN 933 M6-16 8.8 | | | |
| 10 | 12117044 | 4 | Spacer | | | |
| 11 | 52101271 | 1 | Bolt DIN 931 M8-90 8.8 | | | |
| NS | 18517013 | 1 | Spacer 10X20X7 | | | |



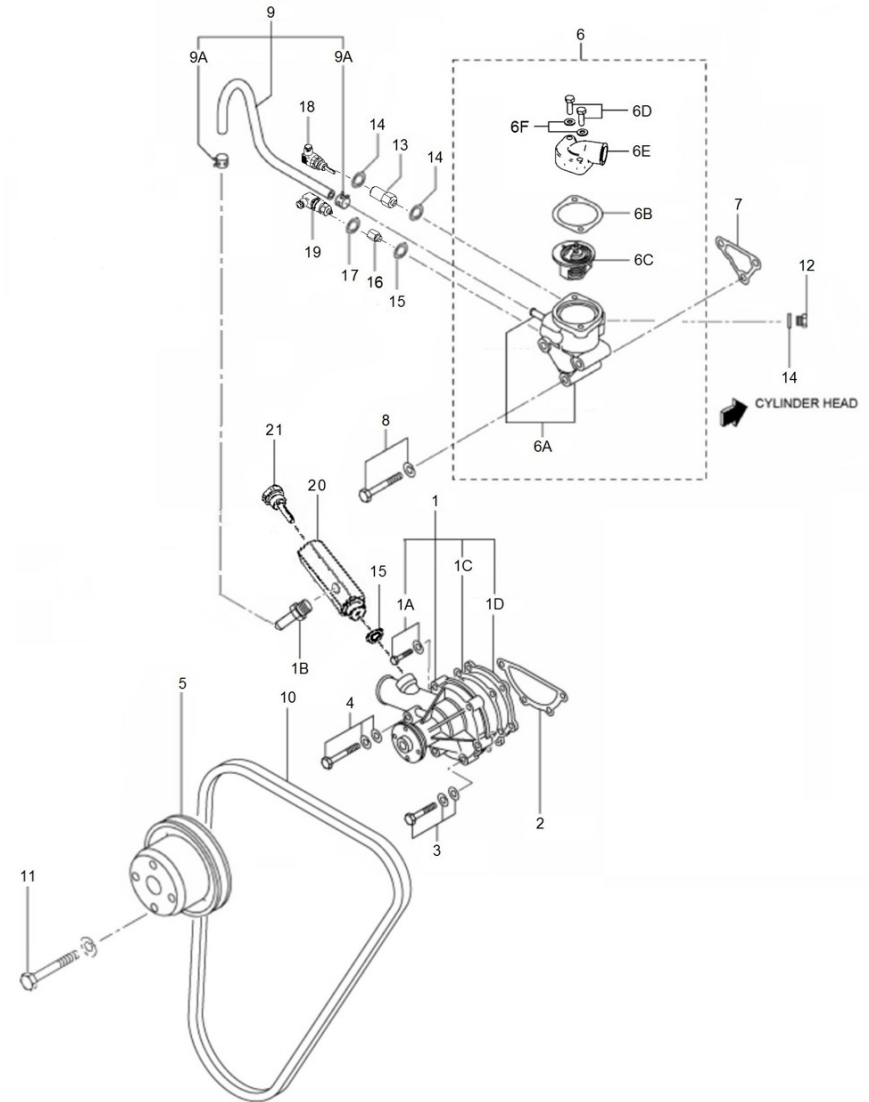
D_MI44GSTDN_03_1 Water Pump

| Fig. | Ref. | Qty. | Descr. | Obs | From | UpTo |
|-------------------------|-------------|------|-----------------------------------|-----|------|------|
| 1 | 17221020 | 1 | Fresh Water Pump | | | |
| 1A | 17321021 | 2 | Bolt | | | |
| 1B | 13221026 | 1 | NIPPLE Hose | | | |
| 1C | 13221041 | 1 | Gasket Water Pump | | | |
| 1D | 13221042 | 1 | Plate Water Pump | | | |
| 2 | 13221022 | 1 | Gasket Water Pump | | | |
| 3 | 52101262 | 3 | Bolt DIN 931 M8-45 8.8 | | | |
| 4 | 17201265 | 1 | Bolt | | | |
| 5 | 17221021 | 1 | Pulley,Water Pump | | | |
| 6 | (*) | 1 | Not available | | | |
| 6A | 17221037 | 1 | Assy Thermostat | | | |
| 6B | 17221031 | 1 | Gasket,Thermostat | | | |
| 6C | 17221040 | 1 | Thermostat | | | |
| 6D | 52101260 | 2 | Bolt DIN 931 M8-35 8.8 | | | |
| 6E | 17211020 | 2 | Fitting, Water Outlet | | | |
| 6F | 53038008 | 2 | Washer DIN 6798-A 8 | | | |
| 7 | 17221033 | 1 | Gasket, Thermostat Case | | | |
| 8 | 17420062G.1 | 3 | Bolt,W/Washer (Generator) | | | |
| 9 | 17221025 | 1 | Hose Assy | | | |
| 9A | 17824029 | 2 | Clip,Hose | | | |
| 10A | 17221060G | 1 | V-Belt | | | |
| Figure A for 12V System | | | | | | |
| 10B | 17021028 | 1 | Belt Type SPZX 987 | | | |
| Figure b for 24V System | | | | | | |
| 11 | 17302155 | 4 | Bolt | | | |
| 12 | 17121016 | 1 | Plug, drain | | | |
| 13 | 17317035 | 1 | Conversion Adapter G1/2 A 5/8 UNF | | | |
| 14 | 56000083 | 3 | Washer 21-26-1,5 | | | |
| 15 | 56000077 | 2 | Washer 18-23-1,5 | | | |
| 16 | 17A17030 | 1 | Conversion Adapter G1/4 a 5/8"SAE | | | |
| 17 | 56000020 | 1 | Washer 14,3-22-1 | | | |



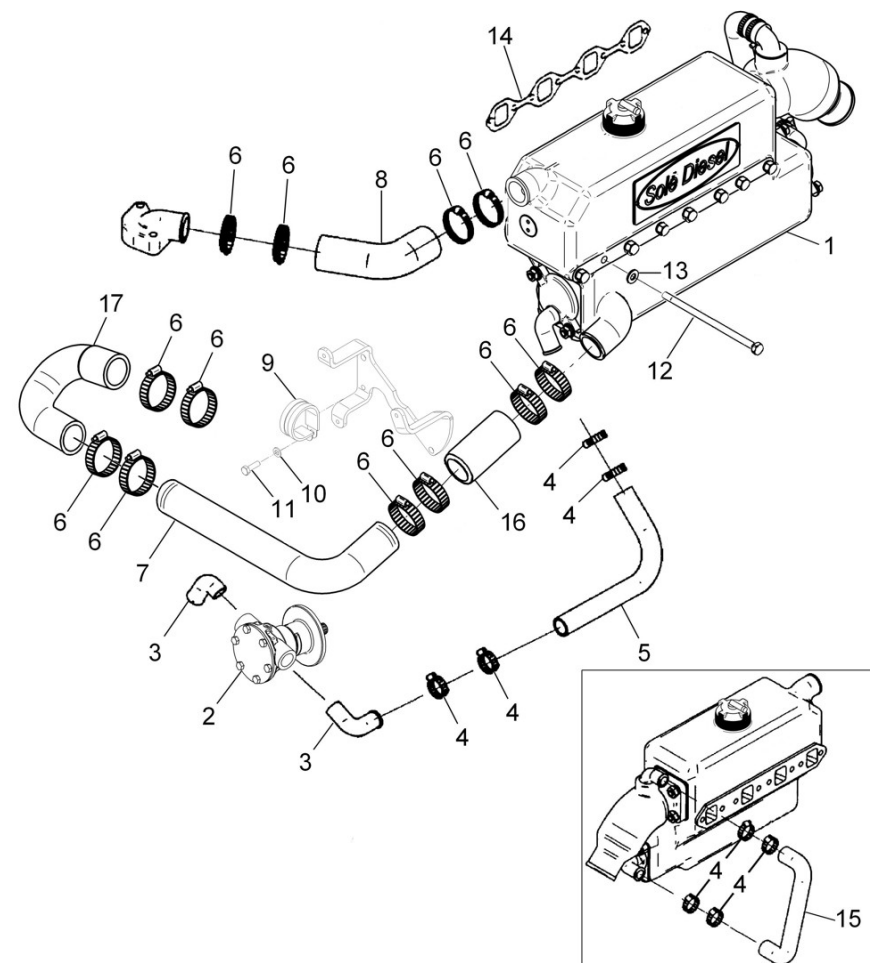
D_MI44GSTDN_03_1 Water Pump

| Fig. | Ref. | Qty. | Descr. | Obs | From | UpTo |
|------|----------|------|---------------------------------------|-----|------|------|
| 18 | 60994075 | 1 | Temperature Sensor | | | |
| 19 | 60994076 | 1 | Marine Approved Pressure Transmitters | | | |
| 20 | 17317032 | 1 | Conversion Adapter G3/8 BSP | | | |
| 21 | 6097A075 | 1 | Thermostat DNV 95° Trafag | | | |
| 21A | 60900956 | 1 | 10k ohm Resistor | | | |



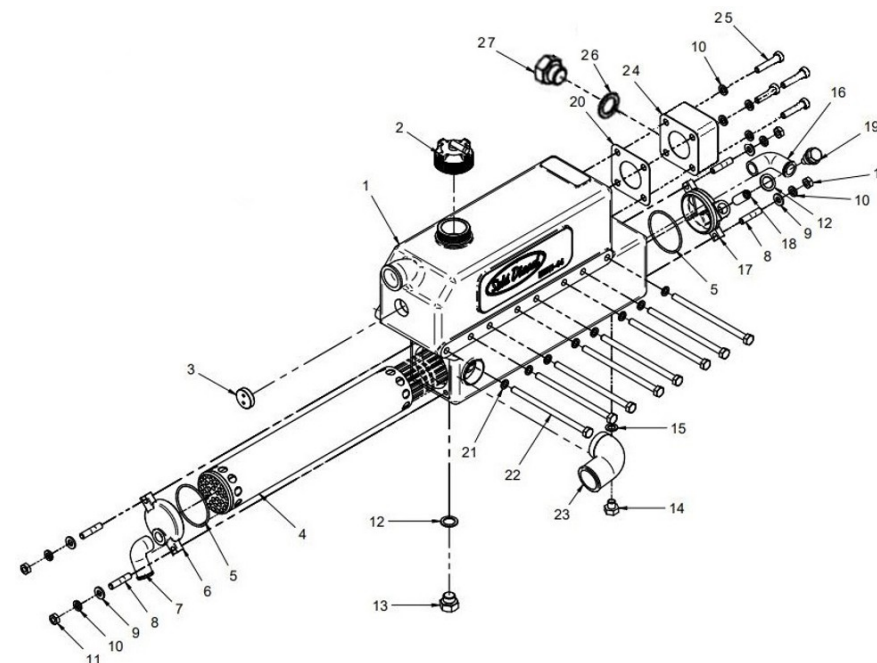
D_MI44GSTDN_03_2 Cooler Pipes

| Fig. | Ref. | Qty. | Descr. | Obs | From | UpTo |
|------|-----------|------|--|-----|------|------|
| 1 | 17311002R | 1 | Water Cooler Assy MINI-44 (Spare Part) | | | |
| 2 | 37611000 | 1 | Splined Pump 1/2" MINI-11/17/29/33/44 | | | |
| 3 | 13811027 | 2 | Elbow 1/2" | | | |
| 4 | 54081016 | 8 | Clamp DIN 3017 16-27/9 W4 | | | |
| 5 | 17011012 | 1 | Elbow | | | |
| 6 | 54082032 | 12 | Clamp DIN 3017 32-50/12 W4 | | | |
| 7 | 17011022 | 1 | Pipe,from cooler to engine | | | |
| 8 | 17211021 | 1 | Elbow | | | |
| 9 | 51071373 | 1 | Clamp 31-40/15 W1 | | | |
| 10 | 51030006 | 1 | Washer DIN 125-6 | | | |
| 11 | 52102157 | 1 | Bolt DIN 933 M6-20 8.8 | | | |
| 12 | 54101323 | 8 | Bolt DIN 931 M8-140 Inox. | | | |
| 13 | 56000057 | 8 | Washer 8-13-1,5 | | | |
| 14 | 17321035 | 1 | Gasket | | | |
| 15 | 17211034 | 1 | Rubber WET Exhaust Inlet BEND | | | |
| 16 | 15211053 | 1 | Pipe 38-50-100 | | | |
| 17 | 19411034 | 1 | Pipe, Rubber | | | |



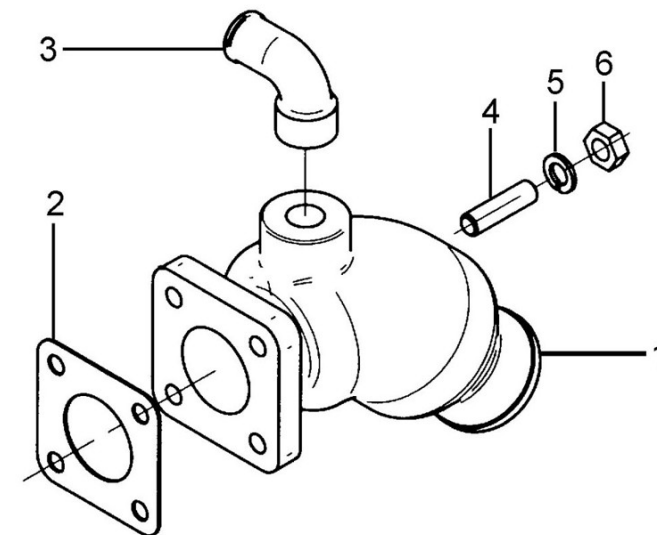
D_MI44GSTDN_03_3 Water Cooler Assy MINI-44 TAC

| Fig. | Ref. | Qty. | Descr. | Obs | From | UpTo |
|------|----------|------|------------------------------|-----|------|------|
| 1 | 17311003 | 1 | Body, Water Cooler | | | |
| 2 | 13811010 | 1 | Cap | | | |
| 3 | 12113092 | 1 | Plug | | | |
| 4 | 17011004 | 1 | Tubular Bundle | | | |
| 5 | 13811007 | 2 | O-Ring D. 57X2,5 | | | |
| 6 | 13811002 | 1 | Water Cooler Cover | | | |
| 7 | 13211027 | 1 | Water Inlet Bend | | | |
| 8 | 13311006 | 8 | Stud,cover | | | |
| 9 | 51030008 | 4 | Washer DIN 125-8 | | | |
| 10 | 53033008 | 8 | Washer GROWER DIN 127-8 | | | |
| 11 | 54120008 | 8 | Nut DIN 934 M8 | | | |
| 12 | 56000073 | 2 | Copper Washer 16-23-1,5 | | | |
| 13 | 12111076 | 1 | Plug | | | |
| 14 | 54102306 | 1 | Bolt DIN 933 M10-16 INOX. | | | |
| 15 | 56000061 | 1 | Washer 10-16-1,5 | | | |
| 16 | 13211035 | 1 | Exhaust Manifold Outlet Bend | | | |
| 17 | 17211042 | 1 | Water Cooler Cover | | | |
| 18 | 13811043 | 1 | Engine Anode 29.5 mm M.8 | | | |
| 19 | 18011009 | 1 | Anode Plug | | | |
| 20 | 15113043 | 1 | Exhaust Elbow Gasket | | | |
| 21 | 56000057 | 8 | Washer 8-13-1,5 | | | |
| 22 | 54101323 | 8 | Bolt DIN 931 M8-140 Inox. | | | |
| 23 | 17111011 | 1 | Elbow 1 1/8" | | | |
| 24 | 17317033 | 1 | Sensor Spacer | | | |
| 25 | 52103260 | 4 | Bolt DIN 912 M8-35 8.8 | | | |
| 26 | 56000077 | 1 | Washer 18-23-1,5 | | | |
| 27 | 19411027 | 1 | Plug | | | |
| NS | 17311040 | 1 | MINI-44 Cooling Adhesive | | | |



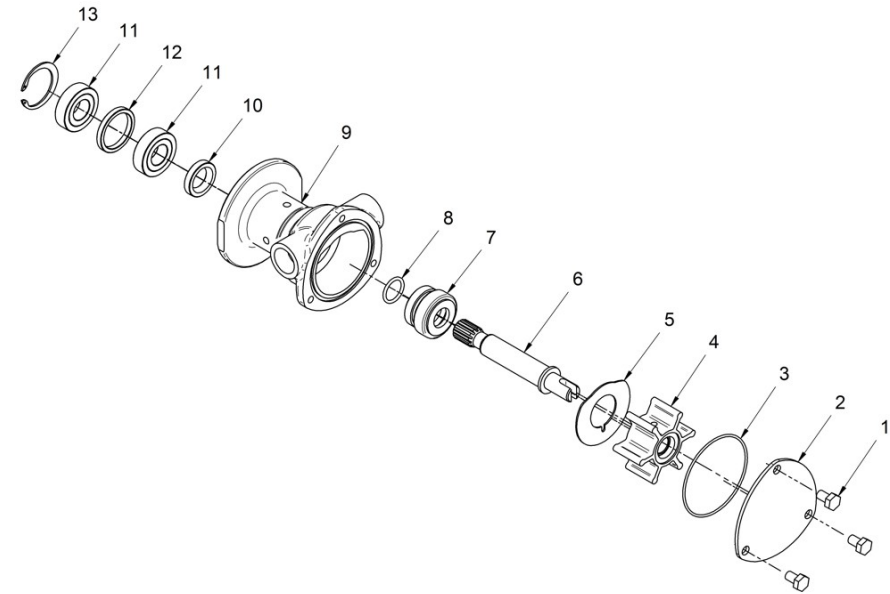
D_GC01_3_5 Wet Exhaust

| Fig. | Ref. | Qty. | Descr. | Obs | From | UpTo |
|------|-----------|------|-------------------------|-----|------|------|
| 1 | 17013015G | 1 | Elbow,WET Exhaust | | | |
| 2 | 15113043 | 1 | Exhaust Elbow Gasket | | | |
| 3 | 17211028 | 1 | Water Bend | | | |
| 4 | 13311006 | 4 | Stud,cover | | | |
| 5 | 53033008 | 4 | Washer GROWER DIN 127-8 | | | |
| 6 | 52120008 | 4 | Nut DIN 934 M8 8.8 | | | |



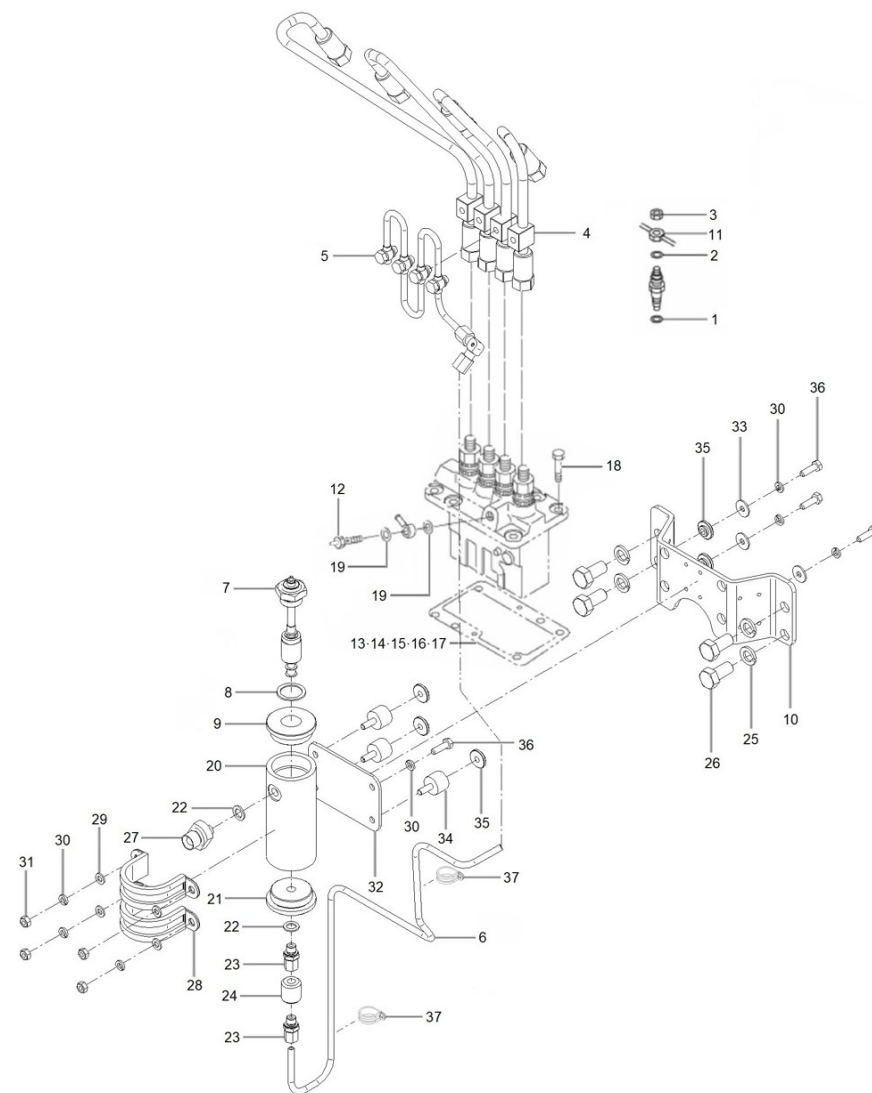
37611000 Splined Pump 1/2" MINI-11/17/29/33/44

| Fig. | Ref. | Qty. | Descr. | Obs | From | UpTo |
|------|----------|------|-------------------------|-----|------|------------|
| 1 | 54102154 | 3 | Bolt DIN 933 M6-10 INOX | | | |
| 2 | 37611002 | 1 | Cover Pump | | | |
| 3 | 37611003 | 1 | O-Ring D. 57x1,5 | | | 01/06/2022 |
| 4 | 31211008 | 1 | 1/2" Impeller | | | |
| 5 | 37611026 | 1 | Plate, Friction | | | |
| 6 | 33811010 | 1 | Shaft,Water Pump | | | |
| 7 | 33411019 | 1 | Seal | | | |
| 8 | 33311013 | 1 | O-Ring D. 15X2 | | | |
| 9 | 37611001 | 1 | Body, Water Pump 1/2" | | | |
| 10 | 33411020 | 1 | Seal | | | |
| 11 | 33411014 | 2 | Ball Bearing 6002-C3 | | | |
| 12 | 33811015 | 1 | Spacer | | | |
| 13 | 53041032 | 1 | CIRClip DIN 472 I-32 | | | |



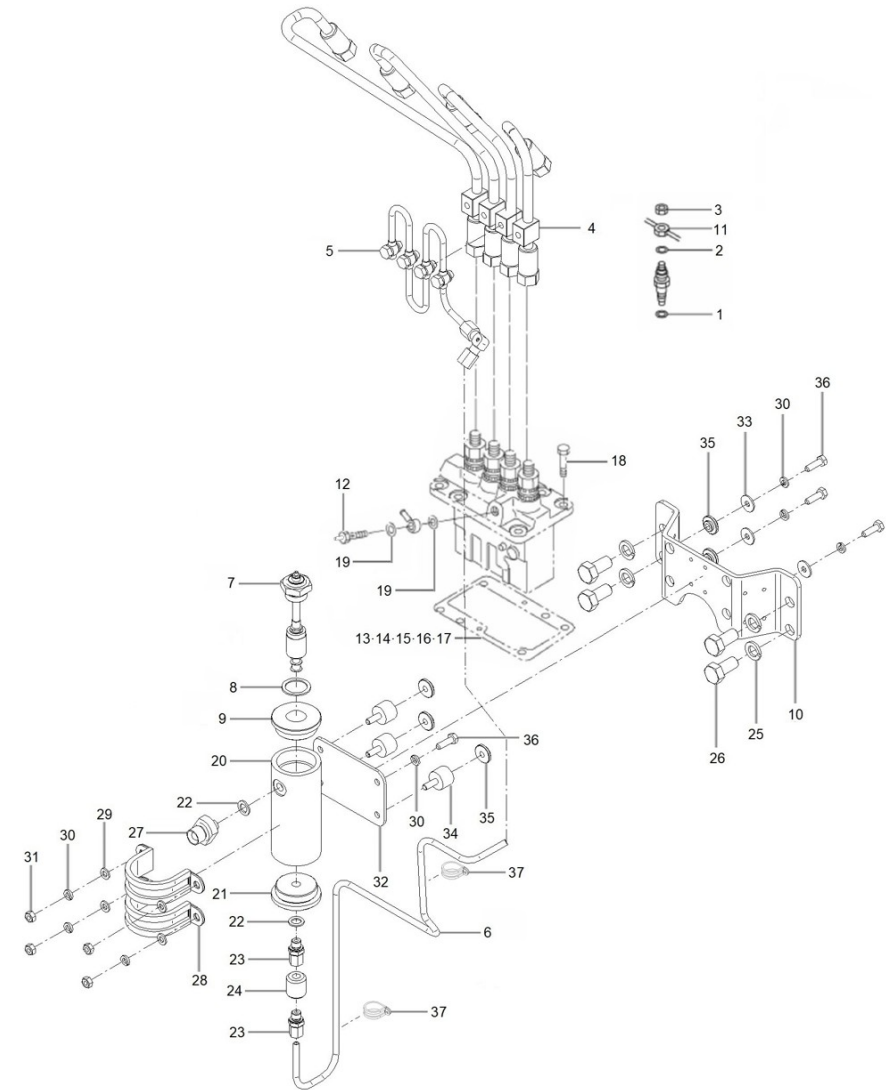
D_MI44GSTDN_04_1 Fuel Pipe And Fuel Leak Alarm

| Fig. | Ref. | Qty. | Descr. | Obs | From | UpTo |
|------|-------------|------|--|-----|------|------|
| 1 | 13824013 | 4 | Injector Washer | | | |
| 2 | 17424025G.1 | 4 | Gasket Fuel Return (Genset) | | | |
| 3 | 13824024 | 4 | Nut | | | |
| 4 | 17324010R | 1 | Double Wall Pipe Kits | | | |
| 5 | 17314019 | 1 | Assy,Fuel Return | | | |
| 6 | 17314034 | 1 | Assy,Fuel Return | | | |
| 7A | 17517009.1 | 1 | Fuel Leak Switch 12V | | | |
| | | | Figure A for 12V System | | | |
| 7B | 17517017.1 | 1 | Fuel Leak Switch 24V | | | |
| | | | Figure b for 24V System | | | |
| 8 | 56000086 | 1 | Washer 22,3-29-1,5 | | | |
| 9 | 17517009.3 | 1 | Cover, Upper | | | |
| 10 | 17317010 | 1 | Fuel Leak Alarm Bracket,Earth Isolated | | | |
| 11 | 17324002G | 1 | Pipe, Fuel Leak OFF (Generator) | | | |
| 12 | 17314036 | 1 | Coupling,cover filter | | | |
| 13 | 13224008 | 1 | Shim Adjusting T=0,7mm | | | |
| 14 | 13224009 | 1 | Shim Adjusting T=0,8mm | | | |
| 15 | 13224010 | 1 | Shim Adjusting T=0,9mm | | | |
| 16 | 13224011 | 1 | Shim Adjusting T=1,0mm | | | |
| 17 | 13224003 | 1 | Shim Adjusting T=0,2mm | | | |
| 18 | 52102257 | 6 | Bolt DIN 933 M8-20 8.8 | | | |
| 19 | 13224001 | 2 | Washer | | | |
| 20 | 17517009.2 | 1 | Tube | | | |
| 21 | 17517009.4 | 1 | Lower cover | | | |
| 22 | 56000061 | 2 | Washer 10-16-1,5 | | | |
| 23 | 19414028 | 2 | P-GEV 6LR 1/8 | | | |
| 24 | 17A14029 | 1 | 1/8-28 To M10 Threat Adaptator | | | |
| 25 | 53033012 | 4 | Washer Grower DIN 127-12 | | | |
| 26 | 52102358 | 4 | Bolt DIN 933 M12-25 8.8 | | | |
| 27 | 17B14032 | 1 | Fitting 1/8 - 3/8 Nylon | | | |
| 28 | 59072482 | 2 | Clamp 2 48/20 W1 | | | |



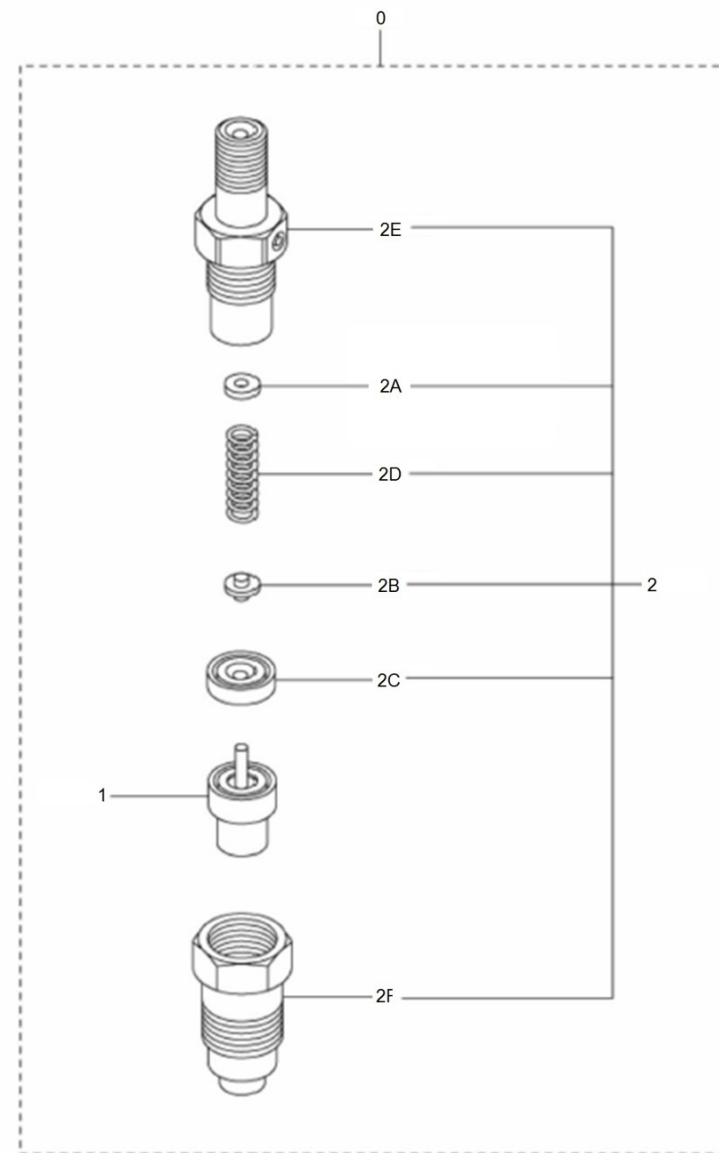
D_MI44GSTDN_04_1 Fuel Pipe And Fuel Leak Alarm

| Fig. | Ref. | Qty. | Descr. | Obs | From | UpTo |
|------|------------|------|-------------------------|-----|------|------|
| 29 | 51030006 | 4 | Washer DIN 125-6 | | | |
| 30 | 53033006 | 7 | Washer GROWER DIN 127-6 | | | |
| 31 | 52120006 | 4 | Nut DIN 934 M6 8.8 | | | |
| 32 | 17517009.6 | 1 | Alarm Bracket | | | |
| 33 | 51031006 | 3 | Washer DIN 9021 6 | | | |
| 34 | 17414009 | 3 | Anti Vibration Mount | | | |
| 35 | 17A17011 | 6 | Bakelite Bushing | | | |
| 36 | 52102157 | 4 | Bolt DIN 933 M6-20 8.8 | | | |
| 37 | 59071064 | 2 | Clamp RSGU 1 06/15 W1 | | | |
| NS | 19424101 | 1 | Spray stop kit | | | |



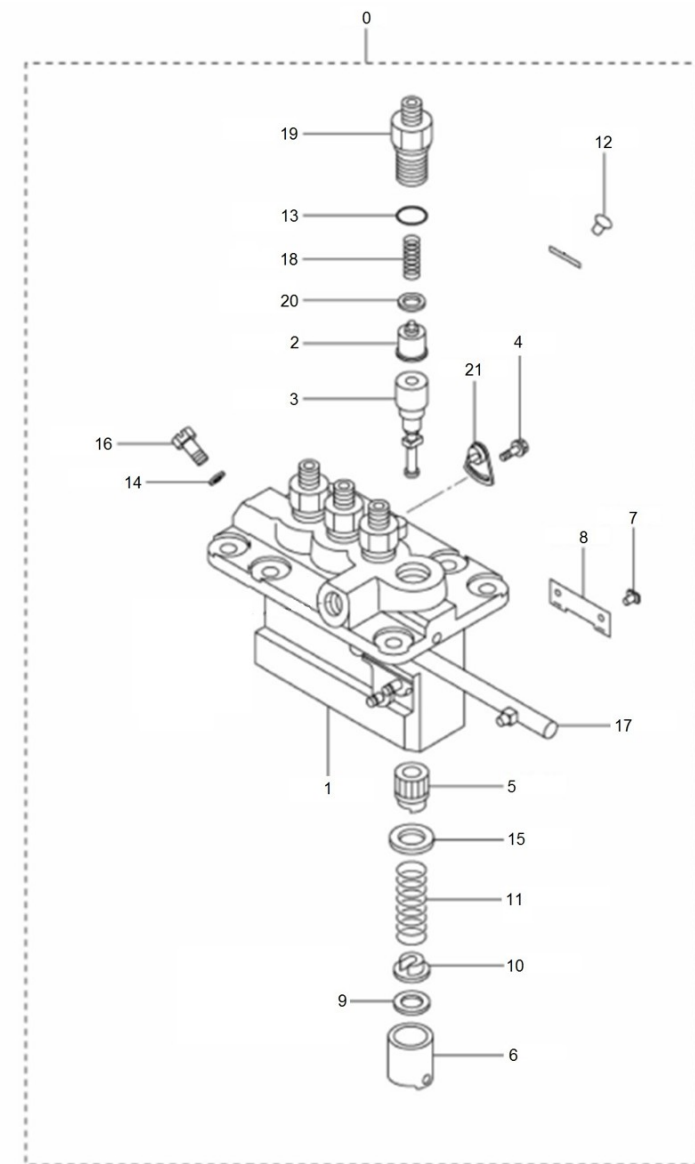
D_GD01_4_2 Injection Nozzle

| Fig. | Ref. | Qty. | Descr. | Obs | From | UpTo |
|------|----------|------|-------------------|-----|------|------|
| 0 | 13826001 | 4 | Nozzle & Holder A | | | |
| 1 | 13826018 | 4 | Nozzle Assy | | | |
| 2 | 17426003 | 4 | Fuel Injector | | | |
| 2AA | 13826010 | 4 | Washer 1,25 | | | |
| 2AB | 13826011 | 4 | Washer 1,30 | | | |
| 2AC | 13826012 | 4 | Washer 1,35 | | | |
| 2AD | 13826013 | 4 | Washer 1,40 | | | |
| 2AE | 13826014 | 4 | Washer 1,45 | | | |
| 2AF | 13826015 | 4 | Washer 1,50 | | | |
| 2AG | 13826016 | 4 | Washer 1,55 | | | |
| 2AH | 13826017 | 4 | Washer 1,60 | | | |
| 2AI | 13826019 | 4 | Washer 1,65 | | | |
| 2AJ | 13826020 | 4 | Washer 1,70 | | | |
| 2B | 13826003 | 4 | Pin Pressure | | | |
| 2C | 13826007 | 4 | PIECE DISTANCE | | | |
| 2D | 17226004 | 4 | Spring, Pressure | | | |
| 2E | 13826002 | 4 | Body Assy | | | |
| 2F | 17226009 | 4 | Nut | | | |



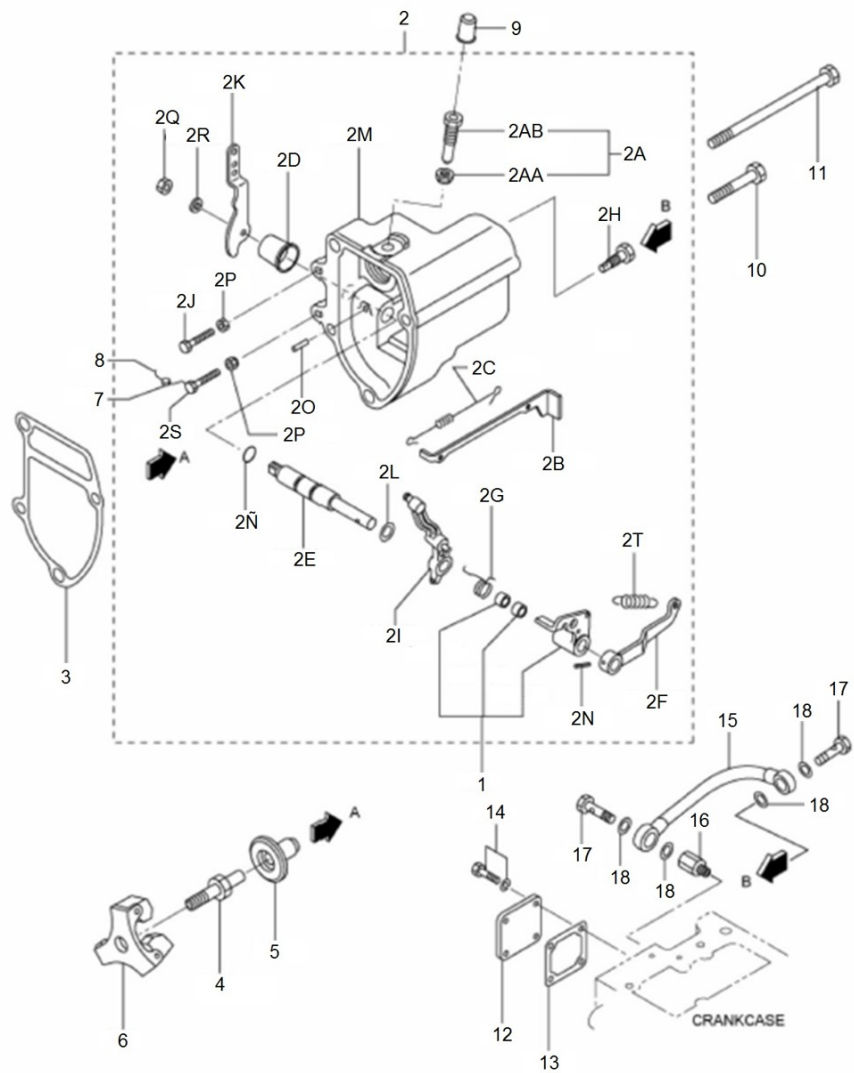
D_MI44GSTDN_04_3 Fuel Injection Pump

| Fig. | Ref. | Qty. | Descr. | Obs | From | UpTo |
|------|------------|------|-----------------------------------|-----|------|------|
| 0 | 17325001G | 1 | Pump Assy, Fuel INJEC.(Generator) | | | |
| 1 | 17325005G | 1 | Housing SUB Assy | | | |
| 2 | 17225009G | 4 | Element SUB Assy (Generator) | | | |
| 3 | 17325008G | 4 | Valve SUB Assy (Generator) | | | |
| 4 | 17225028 | 3 | Bolt, With Washer | | | |
| 5 | 13125010 | 4 | SLEEVE | | | |
| 6 | 13125021 | 4 | Tappet SUB Assy | | | |
| 7 | 13125022 | 4 | Pin Tappet Guide | | | |
| 8 | 13125023 | 2 | Plate | | | |
| 9A | 13125014 | 4 | Shim T=0,60 | | | |
| 9B | 13125015 | 4 | Shim T=0,2 | | | |
| 9C | 13125016 | 4 | Shim Adjusting T=0,3 | | | |
| 9D | 17325016 | 4 | Shim Adjusting T=0,40MM | | | |
| 9E | 17325017 | 4 | Shim Adjusting T=0,50MM | | | |
| 9F | 17325018 | 4 | Shim Adjusting T=0,25MM | | | |
| 9G | 17325019 | 4 | Shim Adjusting T=0,35MM | | | |
| 9H | 13725021 | 4 | Shim Adjusting T=0,45MM. | | | |
| 9I | 13725022 | 4 | Shim Adjusting T=0,55MM. | | | |
| 9J | 13725023 | 4 | Shim Adjusting T=0,65MM. | | | |
| 10 | 13125013 | 4 | Seat Spring LOWER | | | |
| 11 | 13125012 | 4 | Spring Plunger | | | |
| 12 | 13125003 | 2 | RIVET | | | |
| 13 | 13125033 | 4 | O-Ring D. 15X2,5 | | | |
| 14 | 17225025.3 | 1 | Washer DRAIN Screw | | | |
| 15 | 13125011 | 4 | Seat Spring Upper | | | |
| 16 | 17225026.3 | 1 | Screw Air BLEEDER | | | |
| 17 | 17025006 | 1 | RACK Control | | | |
| 18 | 17225002 | 4 | Spring DELIVERY Valve | | | |
| 19 | 13125004 | 4 | Holder DELIVERY V | | | |
| 20 | 13125007 | 4 | Gasket DELIVERY V | | | |
| 21 | 13125030 | 3 | Plate Assy Pressure | | | |



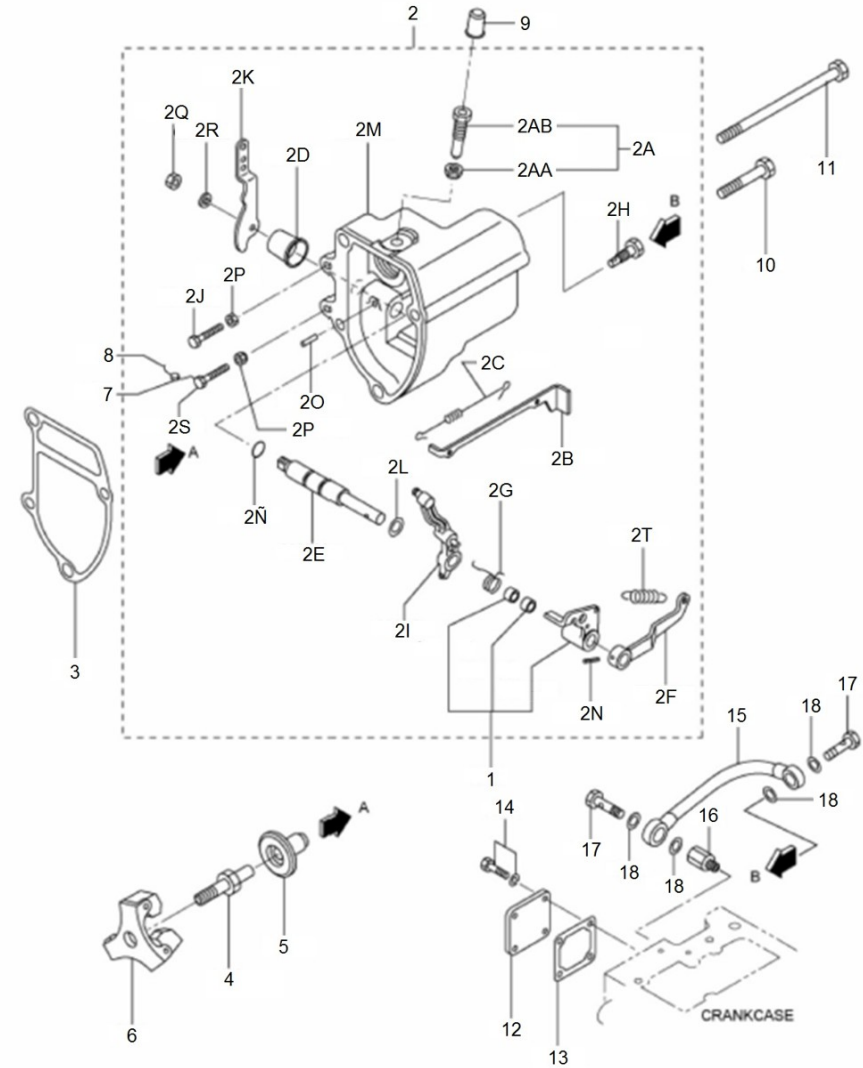
D_GD01_4_4 Governor Parts

| Fig. | Ref. | Qty. | Descr. | Obs | From | UpTo |
|------|------------|------|----------------------------------|-----|------|------|
| 1 | 17223029 | 1 | Lever Assy | | | |
| 2 | 17323000G | 1 | CASSE Assy, GOverNOR (Generator) | | | |
| 2A | (*) | 1 | Not available | | | |
| 2AA | 17223035 | 1 | Nut | | | |
| 2AB | 13823034 | 1 | RACK Set Screw (new) | | | |
| 2B | 17323048.4 | 1 | Lever TIE-ROD | | | |
| 2C | 17323049 | 1 | Spring TIE-ROD | | | |
| 2D | 17223036 | 1 | Cover, Governor | | | |
| 2E | 17223006 | 1 | Shaft, GOverNOR | | | |
| 2F | 17223003 | 1 | Lever, Governor | | | |
| 2G | 17223028 | 1 | Spring | | | |
| 2H | 17222020 | 1 | Bolt | | | |
| 2I | 17223007G | 1 | Lever, GOverNOR (Generator) | | | |
| 2J | 17223025 | 1 | Bolt Low Idle Set | | | |
| 2K | 17323008 | 1 | Lever, SPEED Control | | | |
| 2L | 17323047.4 | 1 | Shim, Governor Shaft | | | |
| 2M | 17323019 | 1 | Case, Governor | | | |
| 2N | 17223009 | 1 | Pin, Spring | | | |
| 2Ñ | 17223046 | 1 | O-Ring D. 10X2,5 | | | |
| 2O | 13123009 | 1 | Pin GROOVED | | | |
| 2P | 17223032 | 2 | Nut | | | |
| 2Q | 17223030 | 1 | Nut | | | |
| 2R | 53033008 | 1 | Washer GROWER DIN 127-8 | | | |
| 2S | 17223017 | 1 | Bolt | | | |
| 2T | 60530033 | 1 | Spring,governor | | | |
| 3 | 17223033 | 1 | Gasket, Governor Case | | | |
| 4 | 17223050 | 1 | Shaft, SLIDING SLEEVE | | | |
| 5 | 17223031G | 1 | SLEEVE, SLIDING (Generator) | | | |
| 6 | 17223001G | 1 | WEIGHT Assy,GOverNOR (Generator) | | | |
| 7 | 13123020 | 1 | Shutter | | | |
| 8 | 13123019 | 1 | Metal Sealing | | | |



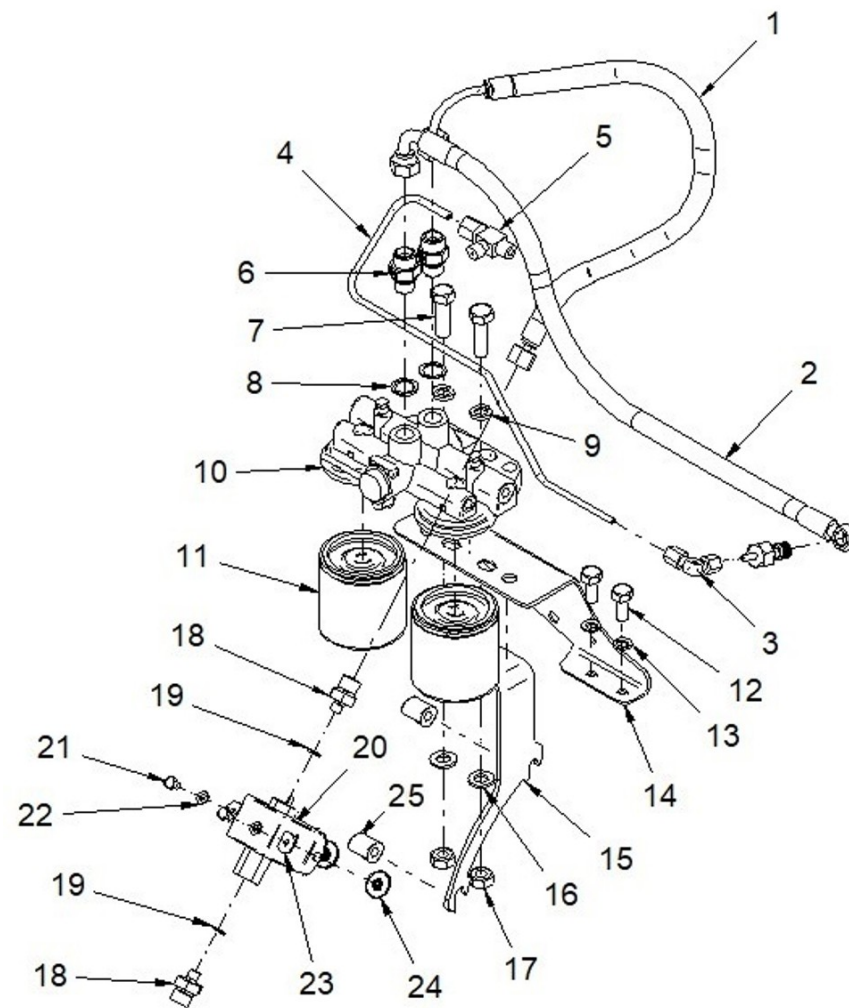
D_GD01_4_4 Governor Parts

| Fig. | Ref. | Qty. | Descr. | Obs | From | UpTo |
|------------------------------|-----------|------|--------------------|-----|------|------|
| 9 | 13823042 | 1 | Cap TORQUE Set SE | | | |
| 10 | 17220034 | 3 | Bolt | | | |
| 11 | 17723043 | 1 | Bolt,GOverNOR Case | | | |
| 12 | 17223043 | 1 | Cover TIE-ROD | | | |
| 13 | 13223014 | 1 | Gasket Cover | | | |
| 14 | 13802156 | 4 | Bolt | | | |
| 15 | 17224004G | 1 | Pipe,Oil | | | |
| 16A | 17322022 | 1 | Adapter | | | |
| Figure A for Standard System | | | | | | |
| 16B | 17322029 | 1 | Adapter | | | |
| Figure b for Parallel System | | | | | | |
| 17A | 17322020 | 2 | VIS | | | |
| Figure A for Standard System | | | | | | |
| 17B | 17322028 | 1 | BOLT, EYE | | | |
| Figure b for Parallel System | | | | | | |
| 18 | 17322021 | 4 | Gasket | | | |



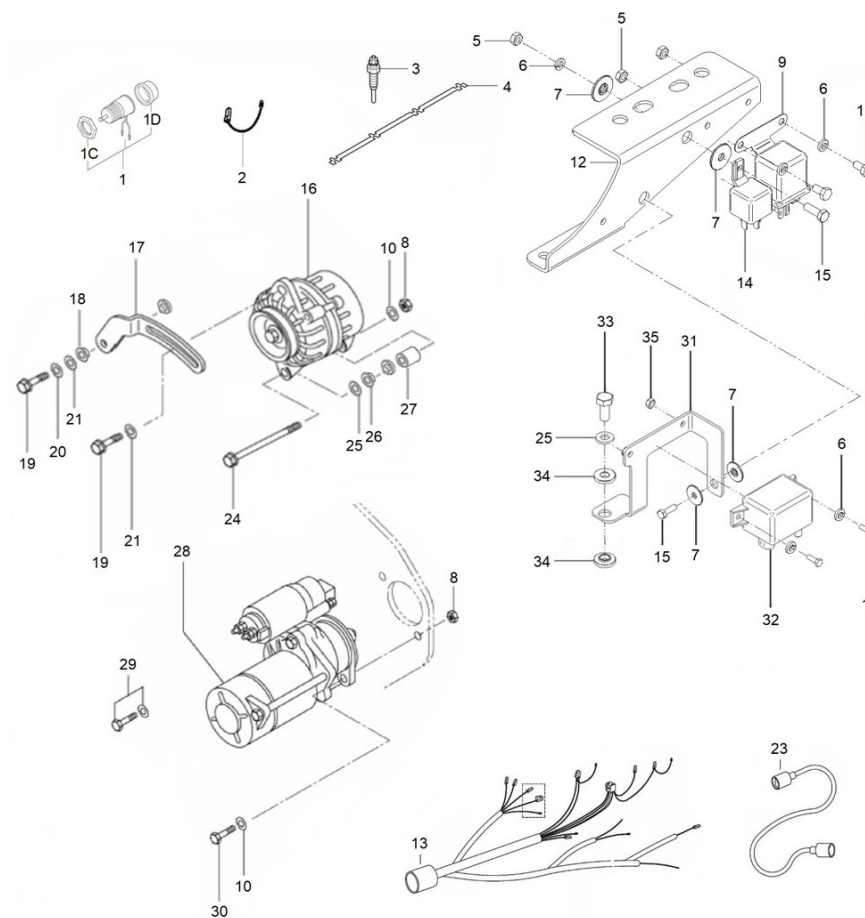
D_MI44GSTDN_04_5 Fuel Supply Parts

| Fig. | Ref. | Qty. | Descr. | Obs | From | UpTo |
|------|----------|------|--|-----|------|------|
| 1 | 17A14005 | 1 | Fuel Hose DNV | | | |
| 2 | 17314023 | 1 | DNV Double Filter Fuel Hose | | | |
| 3 | 17A14026 | 1 | P-WV 6L Male Stud Equal Elbow Fitting | | | |
| 4 | 17314035 | 1 | Fuel Return Pipe | | | |
| 5 | 17A14035 | 1 | P-WV 6L4L6L Male Stud Equal Elbow Fitting | | | |
| 6 | 19414039 | 2 | Racor Fitting Male M18x150-M20x150 | | | |
| 7 | 52102361 | 2 | Bolt DIN 933 M12-40 8.8 | | | |
| 8 | 57000378 | 2 | Washer 18-24-1,5 | | | |
| 9 | 53033012 | 2 | Washer Grower DIN 127-12 | | | |
| 10 | 17414002 | 1 | Bracket | | | |
| 11 | 17314022 | 2 | Fuel Filter Element Double Filtre MINI-33/44 | | | |
| 12 | 52102308 | 2 | Bolt DIN 933 M10-25 8.8 | | | |
| 13 | 53033010 | 2 | Washer GROWER DIN 127-10 | | | |
| 14 | 17314032 | 1 | Bracket, gasoil Filter | | | |
| 15 | 17314033 | 1 | Bracket, gasoil Filter | | | |
| 16 | 51030012 | 2 | Washer DIN 125-12 | | | |
| 17 | 52120012 | 2 | Nut DIN 934 M12 8.8 | | | |
| 18 | 19414032 | 2 | FITTING 1/8 - 3/8 | | | |
| 19 | 57000361 | 2 | Washer 10-14-1,5 | | | |
| 20A | 13814070 | 1 | Electric Fuel Feed Pump 12V | | | |
| 20B | 19014070 | 1 | Pump 24V. | | | |
| 21 | 52102154 | 2 | Bolt DIN 933 M6-10 8.8 | | | |
| 22 | 51030006 | 2 | Washer DIN 125-6 | | | |
| 23 | 17417014 | 2 | Washer | | | |
| 24 | 17417010 | 2 | Bakelite Bushing | | | |
| 25 | 19117014 | 2 | Spacer 10,5X20X20 | | | |



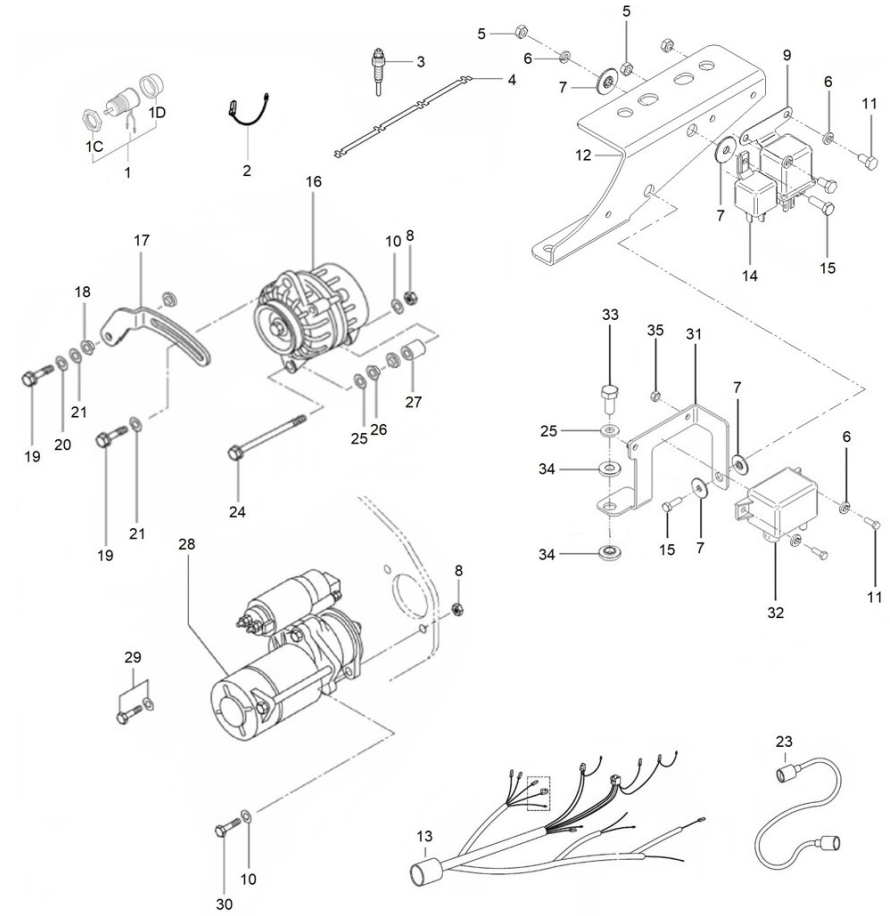
D_MI44GSTDN_05_1 Electrical System 12V

| Fig. | Ref. | Qty. | Descr. | Obs | From | UpTo |
|------------------------------|------------|------|---|-----|------|------|
| 1A | 17224027 | 1 | Solenoid | | | |
| Figure A for Standard System | | | | | | |
| 1B | 60972524 | 1 | GAC Actuator L2E,L3E,S3L,S3L2,S4L,S4L2 | | | |
| Figure b for Parallel System | | | | | | |
| 1C | 17225029.4 | 1 | Nut | | | |
| 1D | 13824021G | 1 | Reloy Stop | | | |
| 2 | 60934040 | 1 | Wirine | | | |
| 3 | 17327018 | 1 | Plate, Connection | | | |
| 4 | 17127017 | 4 | Plug, glow | | | |
| 5 | 52120006 | 3 | Nut DIN 934 M6 8.8 | | | |
| 6 | 53033006 | 5 | Washer GROWER DIN 127-6 | | | |
| 7 | 17417010 | 4 | Bakelite Bushing | | | |
| 8 | 52120010 | 2 | Nut DIN 934 M10 8.8 | | | |
| 9 | 13827005 | 1 | Glow Relay | | | |
| 10 | 53033010 | 2 | Washer GROWER DIN 127-10 | | | |
| 11 | 52102155 | 4 | Bolt DIN 933 M6-12 8.8 | | | |
| 12 | 17314032 | 1 | Bracket, gasoil Filter | | | |
| 13 | 60973900 | 1 | Elect. Inst. G. MINI-44 TAC | | | |
| 14 | 18217005 | 1 | Relay 12V 12-100 | | | |
| 15 | 52102157 | 2 | Bolt DIN 933 M6-20 8.8 | | | |
| 16 | 17227010 | 1 | Alternator 12V/50A | | | |
| 17 | 17227007 | 1 | Plate | | | |
| 18 | 17217012 | 2 | Tensor Bakelite Bushing | | | |
| 19 | 13827012 | 1 | Bolt | | | |
| 20 | 53033008 | 1 | Washer GROWER DIN 127-8 | | | |
| 21 | 51031008 | 2 | Washer DIN 9021 8 | | | |
| 23A | 6097A216 | 1 | Wiring Extension Genset TAC 6 M. | | | |
| 23B | 6097A218 | 1 | Wiring Extension TAC Genset 12 M. CPC 37 V. | | | |
| 24 | 52101324 | 1 | Bolt DIN 931 M10-110 8.8 | | | |
| 25 | 51030010 | 2 | Washer DIN 125-10 | | | |
| 26 | 17217011 | 2 | Bracket Bakelite Bushing | | | |



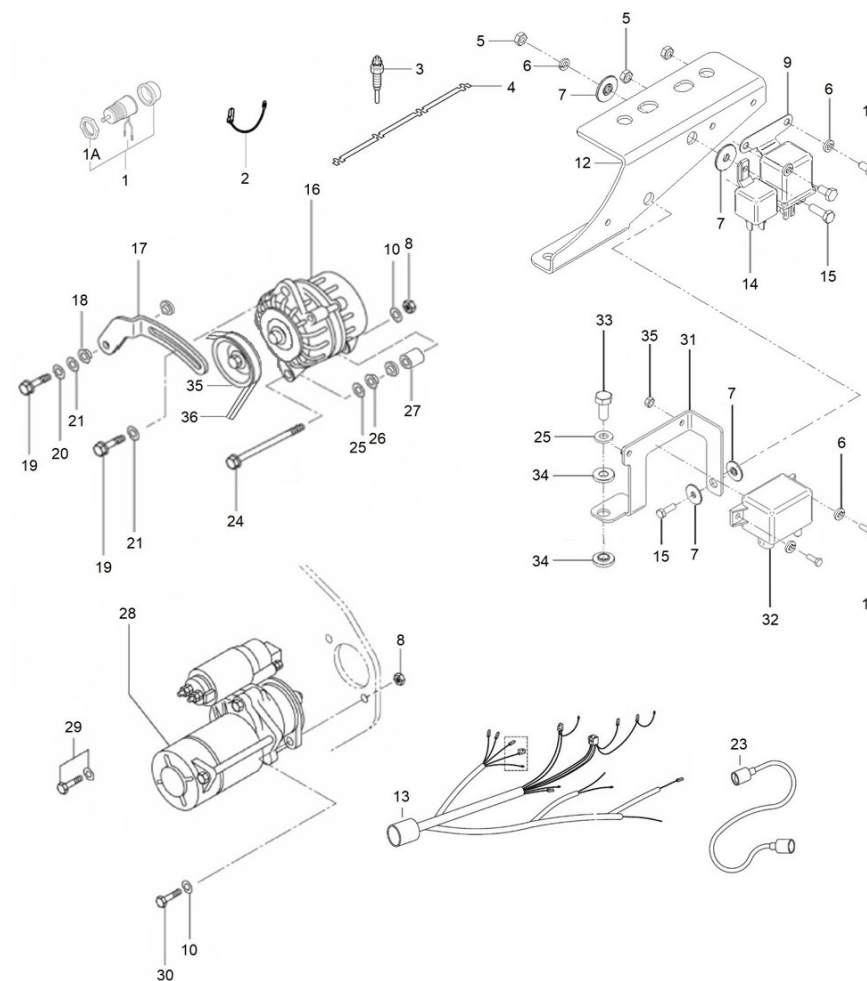
D_MI44GSTDN_05_1 Electrical System 12V

| Fig. | Ref. | Qty. | Descr. | Obs | From | UpTo |
|------|------------|------|----------------------------------|-----|------|------|
| 27 | 17217018 | 1 | Spacer 10,5x25x25 | | | |
| 28 | 17327001 | 1 | Starter Assy 12 V | | | |
| 29 | 17327129.2 | 1 | Bolt | | | |
| 30 | 17327130.2 | 1 | Bolt, Starter | | | |
| 31 | 17310046 | 1 | Relay Bracket | | | |
| 32 | 19017113 | 1 | Relay 12V Earth Isolated Nagares | | | |
| 33 | 52102308 | 1 | Bolt DIN 933 M10-25 8.8 | | | |
| 34 | 17117024 | 2 | Bracket Bakelite Bushing | | | |
| 35 | 51123005 | 2 | Nut DIN 985 M5 5.6 | | | |



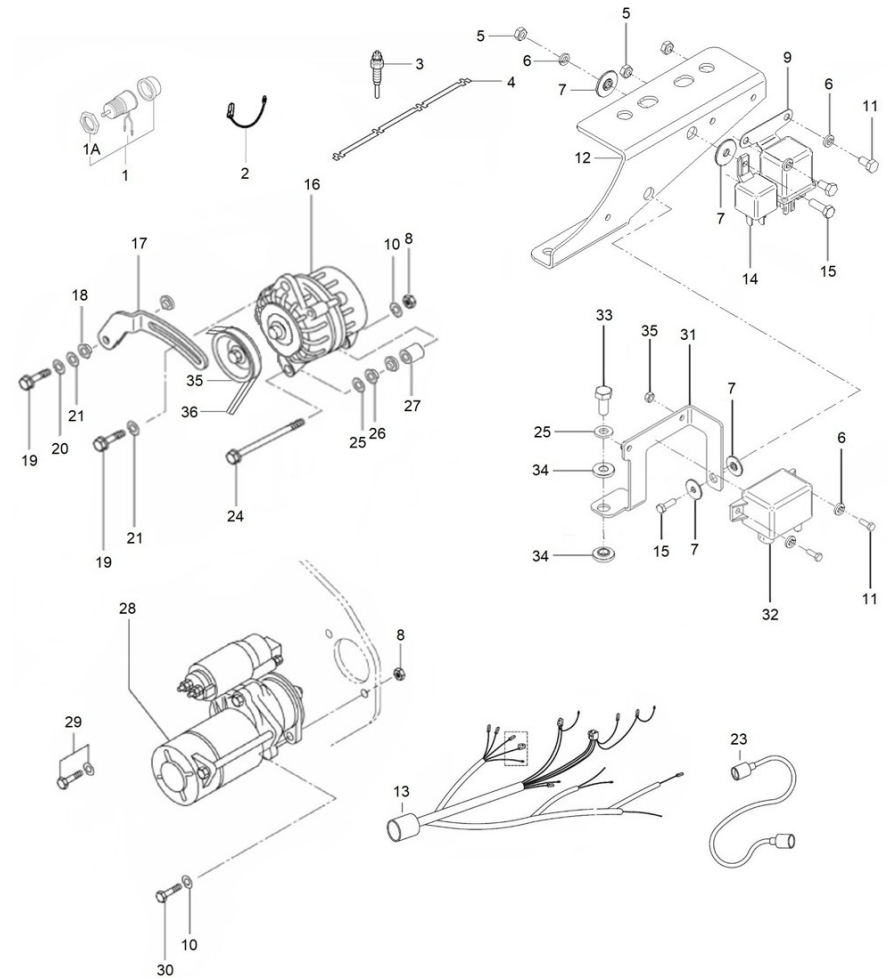
D_MI44GSTDN_05_2 Electrical System 24V

| Fig. | Ref. | Qty. | Descr. | Obs | From | UpTo |
|------|-------------|------|---|-----|------|------|
| 1 | 13824025.2G | 1 | Stop SOLENOID 24V-ETR | | | |
| 1A | 17225029.4 | 1 | Nut | | | |
| 2 | 60934040 | 1 | Wirine | | | |
| 3 | 17327018 | 1 | Plate, Connection | | | |
| 4 | 17227017.2 | 4 | Glow Plug 24V | | | |
| 5 | 52120006 | 3 | Nut DIN 934 M6 8.8 | | | |
| 6 | 53033006 | 5 | Washer GROWER DIN 127-6 | | | |
| 7 | 17417010 | 2 | Bakelite Bushing | | | |
| 8 | 52120010 | 2 | Nut DIN 934 M10 8.8 | | | |
| 9 | 17527006 | 1 | Glow Relay 24V | | | |
| 10 | 53033010 | 2 | Washer GROWER DIN 127-10 | | | |
| 11 | 52102155 | 4 | Bolt DIN 933 M6-12 8.8 | | | |
| 12 | 17314032 | 1 | Bracket, gasoil Filter | | | |
| 13 | 60973900 | 1 | Elect. Inst. G. MINI-44 TAC | | | |
| 14 | 17417005 | 1 | Relay 24V 24-100 | | | |
| 15 | 52102157 | 1 | Bolt DIN 933 M6-20 8.8 | | | |
| 16 | 17417024 | 1 | Alternator 28V/55A | | | |
| 17 | 17227007.1 | 1 | Plate | | | |
| 18 | 17217012 | 2 | Tensor Bakelite Bushing | | | |
| 19 | 13827012 | 1 | Bolt | | | |
| 20 | 53033008 | 1 | Washer GROWER DIN 127-8 | | | |
| 21 | 51031008 | 2 | Washer DIN 9021 8 | | | |
| 23A | 6097A216 | 1 | Wiring Extension Genset TAC 6 M. | | | |
| 23B | 6097A218 | 1 | Wiring Extension TAC Genset 12 M. CPC 37 V. | | | |
| 24 | 52101325 | 1 | Bolt DIN 931 M10-120 8.8 | | | |
| 25 | 51030010 | 1 | Washer DIN 125-10 | | | |
| 26 | 17217011 | 2 | Bracket Bakelite Bushing | | | |
| 27 | 17217020 | 1 | Spacer 10,5X25X36 | | | |
| 28 | 17327001.2 | 1 | Starter Assy 24V | | | |
| 29 | 17327129.2 | 1 | Bolt | | | |
| 30 | 17327130.2 | 1 | Bolt, Starter | | | |



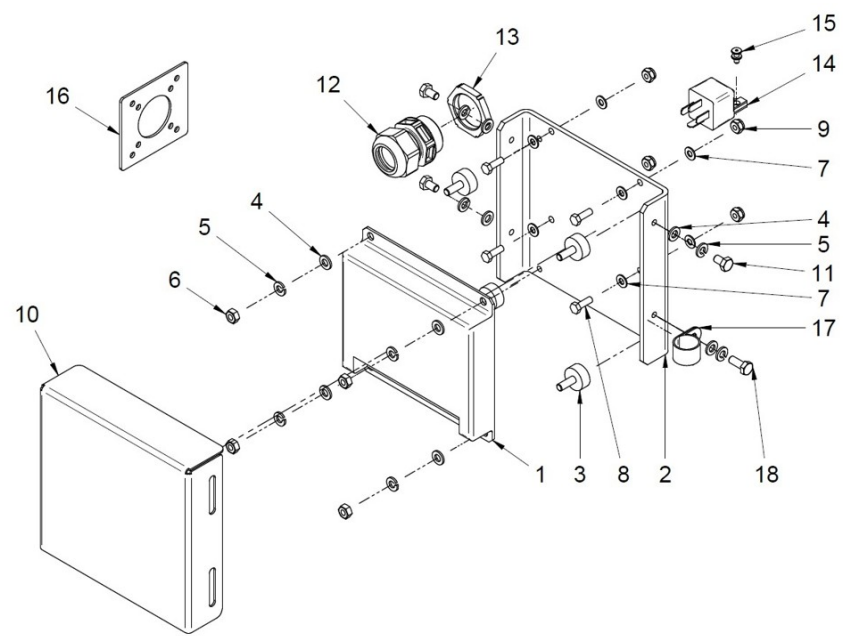
D_MI44GSTDN_05_2 Electrical System 24V

| Fig. | Ref. | Qty. | Descr. | Obs | From | UpTo |
|------|----------|------|----------------------------------|-----|------|------|
| 31 | 17310046 | 1 | Relay Bracket | | | |
| 32 | 19017114 | 1 | Relay 24V Earth Isolated Nagares | | | |
| 33 | 52102308 | 1 | Bolt DIN 933 M10-25 8.8 | | | |
| 34 | 17117024 | 2 | Bracket Bakelite Bushing | | | |
| 35 | 17617003 | 1 | Pulley Alternator | | | |
| 35 | 51123005 | 2 | Nut DIN 985 M5 5.6 | | | |
| 36 | 17021028 | 1 | Belt Type SPZX 987 | | | |
| NS | 58088285 | 1 | Pastic Cable Zip Tie | | | |
| NS | 60900126 | 1 | TERMINAL | | | |



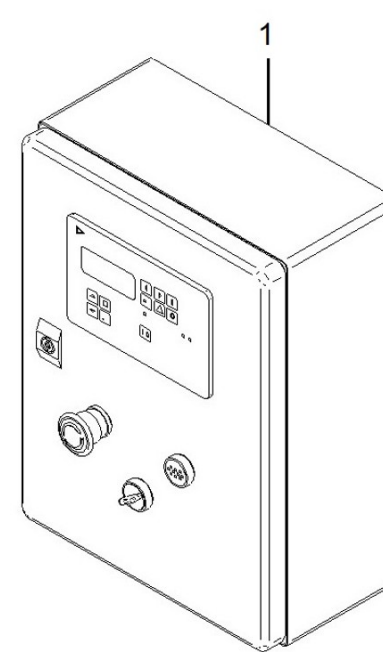
D_60971525 Parallel control system 12V

| Fig. | Ref. | Qty. | Descr. | Obs | From | UpTo |
|------|--------------|------|--|-----|------|------------|
| 1 | 60972525 | 1 | Speed Control Unit G.A.C 5100 Low Inter. | | | |
| 2 | 17317007 | 1 | Electronic Unit Bracket | | | |
| 3 | 17A14009 | 4 | Anti Vibration Mount M6 | | | |
| 4 | 51030006 | 8 | Washer DIN 125-6 | | | |
| 5 | 53033006 | 8 | Washer GROWER DIN 127-6 | | | |
| 6 | 52120006 | 4 | Nut DIN 934 M6 8.8 | | | |
| 7 | 51030005 | 8 | Washer DIN 125-5 | | | |
| 8 | 52102106 | 4 | Bolt DIN 933 M5-15 8.8 | | | |
| 9 | 51123005 | 4 | Nut DIN 985 M5 5.6 | | | |
| 10 | 17317008 | 1 | Parallel electronic unit cover | | | |
| 11 | 52102154 | 3 | Bolt DIN 933 M6-10 8.8 | | | |
| 12 | 60900310 | 1 | Connector Press CAPTOR-2000 M32 RAL7001 | | | |
| 13 | 60900311 | 1 | Screw Connector Press Captor-2000 M32 | | | |
| 14 | 63900028 | 1 | Relay 12V 20/30A NO+NC | | | |
| 15 | 51058054 | 1 | Aluminium Rivet 4.0 X 10 | | | |
| 16 | 60573041.25G | 1 | Connector Adapter Parallel | | | |
| 17 | 59071224 | 1 | Clamp RSGU 1 22/15 W1 | | | 15/11/2023 |
| 17 | 59071324 | 1 | Clamp RSGU 1 32/15 W1 | | | 15/11/2023 |
| 18 | 52102156 | 1 | Bolt DIN 933 M6-16 8.8 | | | |
| NS | 58088284 | 1 | Pastic Cable Zip Tie | | | |
| NS | 60900088 | 2 | TERMINAL Female SUPERSEAL | | | |
| NS | 60900089 | 2 | SUPERSEAL male terminal | | | |
| NS | 60900322 | 1 | 2 female channel connector SUPERSEAL | | | |
| NS | 60900323 | 1 | 2 male channel connector SUPERSEAL | | | |
| NS | 60900330 | 4 | SUPERSEAL yello rubber protection | | | |
| NS | 60972517 | 1 | Connector for actuator Packard type | | | |
| NS | 60972519 | 2 | Magnetic Speed Sensor | | | |
| NS | 60974223DNV | 1 | Auxiliary Installation Parallel TAC Genset | | | |



D_MI44GSTDN_05_4 Control and Power Cabinets

| Fig. | Ref. | Qty. | Descr. | Obs | From | UpTo |
|------|----------|------|--|-----|------|------|
| 1A | 6097A215 | 1 | Box CO 40 17/25/35/45/50/68 GT TAC 12V | | | |
| 1B | 6097A220 | 1 | Box CO 40 17/25/35/45/50/68 GT TAC 24V | | | |
| 2A | 60973709 | 1 | Parallel Kit 17 GT 400/230V TAC Control and Power 12 | | | |
| 2B | 60973710 | 1 | Parallel Kit 17 GT 230V TAC Control and Power 12V | | | |
| 2C | 60972766 | 1 | Parallel Kit 20 GTA 480/277V Control and Power 12V | | | |
| 2D | 60972765 | 1 | Parallel Kit 20 GTA 240V TAC Control and Power 12V | | | |



D_1138T Genset Extension TAC

| Fig. | Ref. | Qty. | Descr. | Obs | From | UpTo |
|------|-------------|------|--|-----|------|------|
| 1A | 6097A216 | 1 | Wiring Extension Genset TAC 6 M. | | | |
| 1B | 6097A218 | 1 | Wiring Extension TAC Genset 12 M. CPC 37 V. | | | |
| 1C | 60974552 | 1 | 3-way Wiring Wxtension for Auxiliary Kits 4 m | | | |
| 1D | 60900165 | 1 | 3-way Wiring Extension for Auxiliary Kits 6 m | | | |
| 1F | 60900166 | 1 | 3-way Wiring Extension for Auxiliary Kits 12 m | | | |
| 1G | 60900167 | 1 | 3-way Wiring Extension for Auxiliary Kits 24 m | | | |
| 1H | 60972104 | 1 | Double Panel SCO 12 M. Harness | | | |
| 1I | 60972105 | 1 | Double Panel SCO 24 M. Harness | | | |
| 1J | 60972110 | 1 | Double Panel SCO 36 M. Harness | | | |
| 1K | 60974227.12 | 1 | AVR External Control Cable 12m. | | | |
| 1L | 60974228.12 | 1 | ECU External Control Cable 12m. | | | |
| 1M | 60974227.24 | 1 | AVR External Control Cable 24m. | | | |
| 1N | 60974228.24 | 1 | ECU External Control Cable 24m. | | | |



Genset 17 GT/GTC & 20 GTA/GTAC Type Approval Certificate **Genset Alternator Spare Parts**

D_MI44GTDN_06_1 Alternator 17 GT/GTC and 20 GTA/GTAC

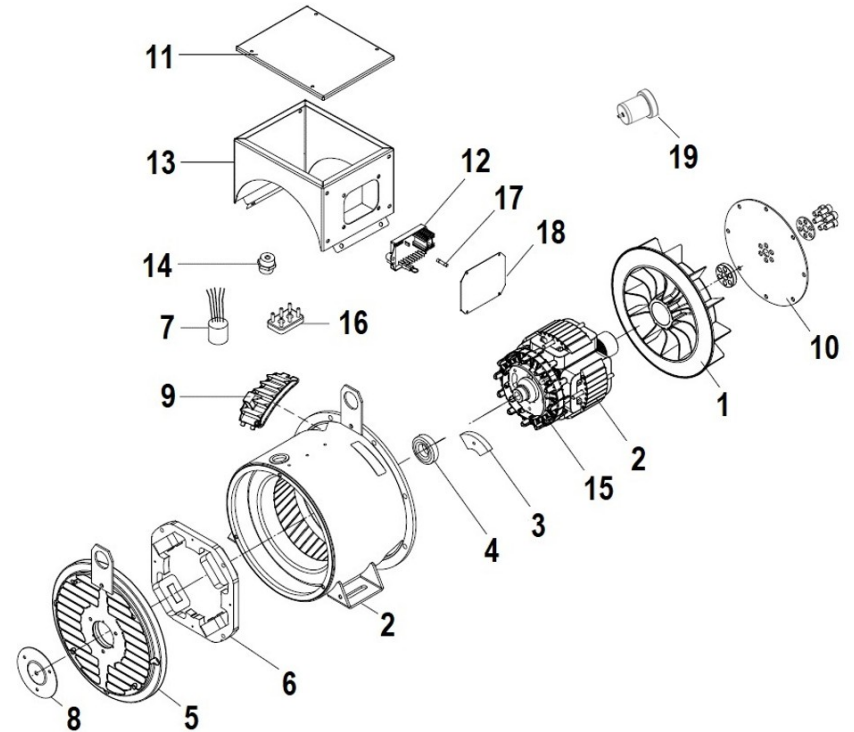
| Fig. | Ref. | Qty. | Descr. | Obs | From | UpTo |
|------|---------------|------|--|-----|------|------|
| 1A | 605113016Z0RS | 1 | Sincro Alternator III 16KVA 1500RPM 400/230V Certifi | | | |
| 1B | 605113016Z0RC | 1 | Sincro Alternator III 16KVA 1500RPM 400/230V Certifi | | | |
| 1C | 605113016Z1RS | 1 | Sincro Alternator III 16KVA 1500RPM 230V Certificate | | | |
| 1D | 605113016Z1RC | 1 | Sincro Alternator III 16KVA 1500RPM 230V Certificate | | | |
| 1E | 605123019Z0RS | 1 | Sincro Alternator III 19,5KVA 1800RPM 480/277V Certi | | | |
| 1F | 605123019Z0RC | 1 | Sincro Alternator III 19,5KVA 1800RPM 480/277V Certi | | | |
| 1G | 605123019Z1RS | 1 | Sincro Alternator III 19,5KVA 1800RPM 240V Certifica | | | |
| 1H | 605123019Z1RC | 1 | Sincro Alternator III 19,5KVA 1800RPM 240V Certifica | | | |



Genset 17 GT/GTC & 20 GTA/GTAC Type Approval Certificate Genset Alternator Spare Parts

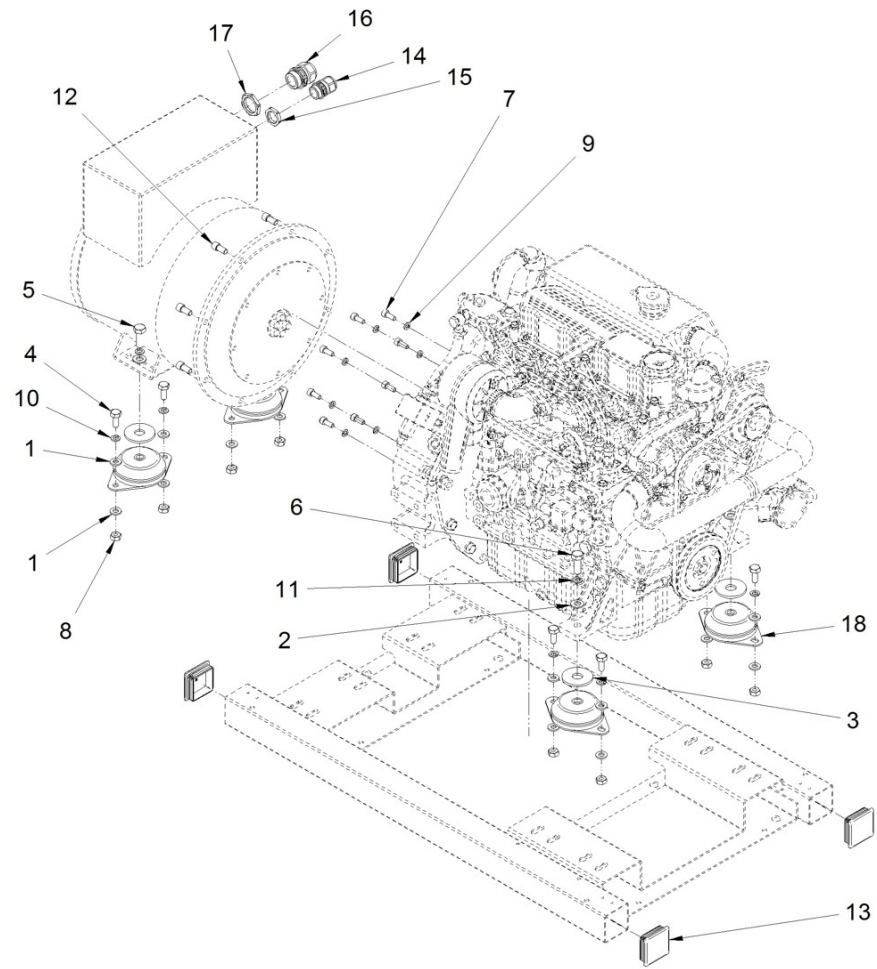
D_MI44GTDN_06_2 Alternator Spare Parts

| Fig. | Ref. | Qty. | Descr. | Obs | From | UpTo |
|------|----------------|------|--------------------------------|-----|------|------|
| 1 | 60511107S.1 | 1 | Fan SK160S-, C-, M- 4P | | | |
| 2 | (*) | 1 | Not available | | | |
| 3 | 60574340.10 | 1 | Diode Bridge SK160-S/C/L/M | | | |
| 4 | 60511325S.1 | 1 | Bearing 6206 2RS/C3 | | | |
| 5 | 60511107S.13 | 1 | Rear Shield | | | |
| 6 | 60511325S.2 | 1 | Exciter stator SK160C-, M-, L- | | | |
| 7 | 60511317S.2 | 1 | EMC filter SK160SM- | | | |
| 8 | 60511325S.3 | 1 | Rear shield cover | | | |
| 9 | 60511336S.03 | 1 | IP23 Grid | | | |
| 10 | 60511325S.4 | 1 | Kit disks 7,5" | | | |
| 11 | 60511317S.3 | 1 | Top cover SK160M- | | | |
| 12 | 60511107S.35.1 | 1 | Electronic Board AVR BL4 U | | | |
| 13A | 60511317S.4 | 1 | Terminal box SK160M- | | | |
| 13B | 60511317S.5 | 1 | Terminal box SK160M- | | | |
| 14A | 60511325S.5 | 1 | M6 insulator clamp | | | |
| 14B | 60511336S.02 | 1 | M8 Insulator Clamp | | | |
| 15 | 60511325S.6 | 1 | Exc. rotor SK160C-, M-, L- 4P | | | |
| 16A | 60511325S.7 | 1 | M6 terminal board | | | |
| 16B | 60511336S.04 | 1 | M8 Terminal Board | | | |
| 17 | 60511336S.05 | 1 | Fuse 5x20 3,15A F | | | |
| 18 | 60511336S.06 | 1 | Cover on Regulator Side | | | |



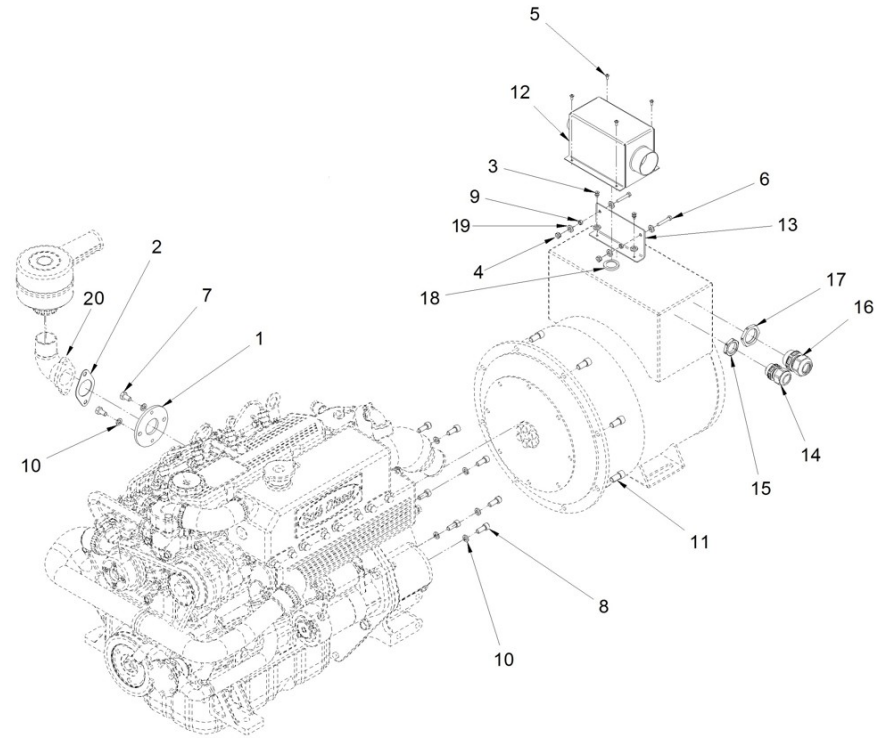
D_60573101S Alternator Kit Without Canopy

| Fig. | Ref. | Qty. | Descr. | Obs | From | UpTo |
|------|----------|------|---|-----|------|------|
| 1 | 51030010 | 16 | Washer DIN 125-10 | | | |
| 2 | 51030012 | 4 | Washer DIN 125-12 | | | |
| 3 | 51031014 | 4 | Washer DIN 9021 14 | | | |
| 4 | 52102307 | 8 | Bolt DIN 933 M10-20 8.8 | | | |
| 5 | 52102359 | 2 | Bolt DIN 933 M12-30 8.8 | | | |
| 6 | 52102361 | 2 | Bolt DIN 933 M12-40 8.8 | | | |
| 7 | 52103257 | 8 | Bolt DIN 912 M8-20 8.8 | | | |
| 8 | 52120010 | 8 | Nut DIN 934 M10 8.8 | | | |
| 9 | 53033008 | 8 | Washer GROWER DIN 127-8 | | | |
| 10 | 53033010 | 8 | Washer GROWER DIN 127-10 | | | |
| 11 | 53033012 | 4 | Washer Grower DIN 127-12 | | | |
| 12 | 60539017 | 8 | ALT. SINCR0 FASTENING Bolt | | | |
| 13 | 60539019 | 4 | LID (60 Tube) | | | |
| 14 | 60900306 | 1 | Connector Press CAPTOR-2000 M25 RAL7001 | | | |
| 15 | 60900309 | 1 | Screw Connector Press Captor-2000 M25 | | | |
| 16 | 60900310 | 1 | Connector Press CAPTOR-2000 M32 RAL7001 | | | |
| 17 | 60900311 | 1 | Screw Connector Press Captor-2000 M32 | | | |
| 18 | 61673001 | 4 | Engine Mount Type F 35 SHA M12 H 34 | | | |
| NS | 53104257 | 4 | Bolt DIN 7984 M8-20 12.9 | | | |
| NS | 58088283 | 1 | Pastic Cable Zip Tie | | | |
| NS | 60900158 | 1 | Terminal Tubular Sleeve (1.5) | | | |
| NS | TR.1.5.6 | 4 | Ring Terminal 1.5 Sec. | | | |



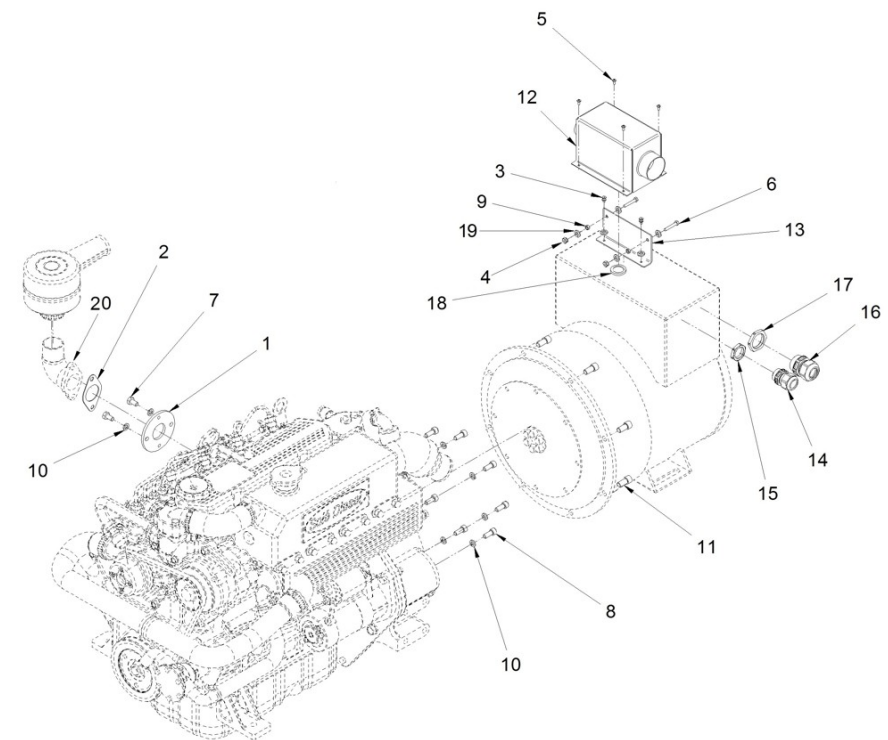
D_60573062 Alternator Kit With Canopy 400/230V And 480/277V

| Fig. | Ref. | Qty. | Descr. | Obs | From | UpTo |
|------|--------------|------|---|-----|------|------|
| 1 | 17210029 | 1 | Air Elbow Flange | | | |
| 2 | 17221034 | 2 | Gasket, Inlet Pipe | | | |
| 3 | 52102104 | 2 | Bolt DIN 933 M5-10 8.8 | | | |
| 4 | 51123005 | 4 | Nut DIN 985 M5 5.6 | | | |
| 5 | 51918054 | 4 | Bolt DIN 7981C 3,5-9,5 | | | |
| 6 | 52102110 | 2 | Bolt DIN 933 M5-30 8.8 CINCADO | | | |
| 7 | 52102256 | 2 | Bolt DIN 933 M8-16 8.8 | | | |
| 8 | 52103257 | 8 | Bolt DIN 912 M8-20 8.8 | | | |
| 9 | 52120005 | 2 | Nut DIN 934 M5 8.8 | | | |
| 10 | 53033008 | 10 | Washer GROWER DIN 127-8 | | | |
| 11 | 60539017 | 8 | ALT. SINCRO FASTENING Bolt | | | |
| 12 | 60573041.71 | 1 | REGULATOR Bracket Box | | | |
| 13 | 60573041.72 | 1 | VOLT REGULATOR Bracket Box | | | |
| 14 | 60900306 | 1 | Connector Press CAPTOR-2000 M25 RAL7001 | | | |
| 15 | 60900309 | 1 | Screw Connector Press Captor-2000 M25 | | | |
| 16 | 60900310 | 1 | Connector Press CAPTOR-2000 M32 RAL7001 | | | |
| 17 | 60900311 | 1 | Screw Connector Press Captor-2000 M32 | | | |
| 18 | 60900517 | 1 | Cover,wiring | | | |
| 19 | 51030005 | 8 | Washer DIN 125-5 | | | |
| NS | 51058054 | 4 | Aluminium Rivet 4.0 X 10 | | | |
| NS | 53104257 | 4 | Bolt DIN 7984 M8-20 12.9 | | | |
| NS | 58088284 | 2 | Pastic Cable Zip Tie | | | |
| NS | 60511112S.81 | 2 | 16 mm Hexagon Plug | | | |
| NS | 60900510 | 1 | Emergency Stop PUSH BOTTOM | | | |
| NS | 60900511 | 1 | Stop PUSH BOTTOM Body | | | |
| NS | 60971085 | 1 | FOUR PoleS 25A DISConnector | | | |
| NS | 60972072A | 1 | N BLUE Breaker TO ALT. SYStem | | | |
| NS | 60972072G | 1 | W GRAY Breaker TO ALT. SYStem | | | |
| NS | 60972072M | 1 | V BROWN Breaker TO ALT. SYStem | | | |
| NS | 60972072N | 1 | U BLACK Breaker TO ALT. SYStem | | | |
| NS | TR.1.5.6 | 4 | Ring Terminal 1.5 Sec. | | | |



D_60573063 Alternator Kit With Canopy 230V And 240V

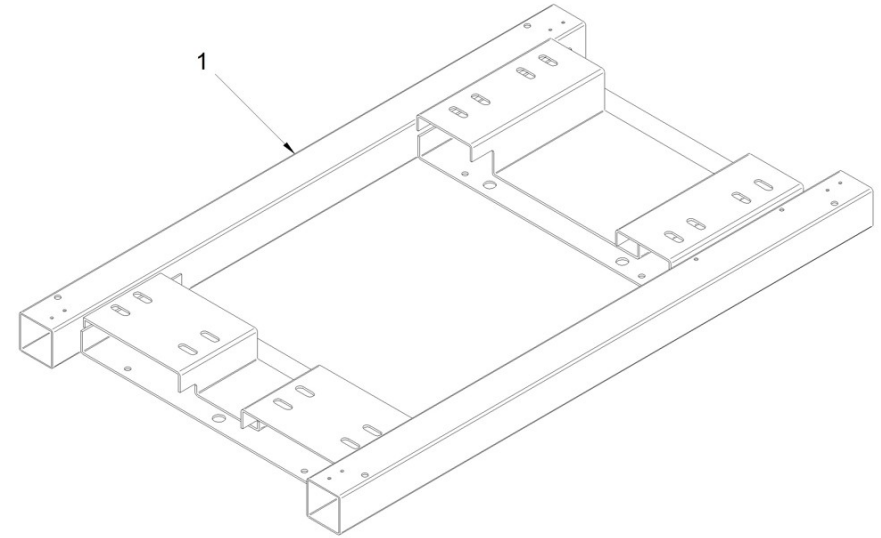
| Fig. | Ref. | Qty. | Descr. | Obs | From | UpTo |
|------|-------------|------|---|-----|------|------|
| 1 | 17310017 | 1 | Air Elbow Flange | | | |
| 2 | 17221034 | 1 | Gasket, Inlet Pipe | | | |
| 3 | 52102104 | 2 | Bolt DIN 933 M5-10 8.8 | | | |
| 4 | 51123005 | 4 | Nut DIN 985 M5 5.6 | | | |
| 5 | 51918054 | 4 | Bolt DIN 7981C 3,5-9,5 | | | |
| 6 | 52102110 | 2 | Bolt DIN 933 M5-30 8.8 CINCADO | | | |
| 7 | 52102256 | 2 | Bolt DIN 933 M8-16 8.8 | | | |
| 8 | 52103257 | 8 | Bolt DIN 912 M8-20 8.8 | | | |
| 9 | 52120005 | 2 | Nut DIN 934 M5 8.8 | | | |
| 10 | 53033008 | 8 | Washer GROWER DIN 127-8 | | | |
| 11 | 60539017 | 8 | ALT. SINCRO FASTENING Bolt | | | |
| 12 | 60573041.71 | 1 | REGULATOR Bracket Box | | | |
| 13 | 60573041.72 | 1 | VOLT REGULATOR Bracket Box | | | |
| 14 | 60900306 | 1 | Connector Press CAPTOR-2000 M25 RAL7001 | | | |
| 15 | 60900309 | 1 | Screw Connector Press Captor-2000 M25 | | | |
| 16 | 60900304 | 1 | Coneector Press PA Grey IP68 M16 | | | |
| 17 | 60900307 | 1 | Screw Connector Press PA Grey IP68 M16 | | | |
| 18 | 60900517 | 1 | Cover,wiring | | | |
| 19 | 51030005 | 8 | Washer DIN 125-5 | | | |
| 20 | 17210020 | 1 | Bend | | | |
| NS | 52105258 | 2 | Bolt DIN 7991 M8-25 10.9 | ☒ | | |
| NS | 52120008 | 2 | Nut DIN 934 M8 8.8 | ☒ | | |
| NS | 53038008 | 2 | Washer DIN 6798-A 8 | ☒ | | |
| NS | 53104257 | 4 | Bolt DIN 7984 M8-20 12.9 | ☒ | | |
| NS | 60571034 | 1 | Genset MAGNETO Support | ☒ | | |
| NS | 60900510 | 1 | Emergency Stop PUSH BOTTOM | ☒ | | |
| NS | 60900511 | 1 | Stop PUSH BOTTOM Body | ☒ | | |
| NS | 60972072G | 1 | W GRAY Breaker TO ALT. SYStem | ☒ | | |
| NS | 60972072M | 1 | V BROWN Breaker TO ALT. SYStem | ☒ | | |
| NS | 60972072N | 1 | U BLACK Breaker TO ALT. SYStem | ☒ | | |
| NS | 60973087 | 1 | Disconnecter 40A 3 poles | ☒ | | |



D_60573041.01 Chassis

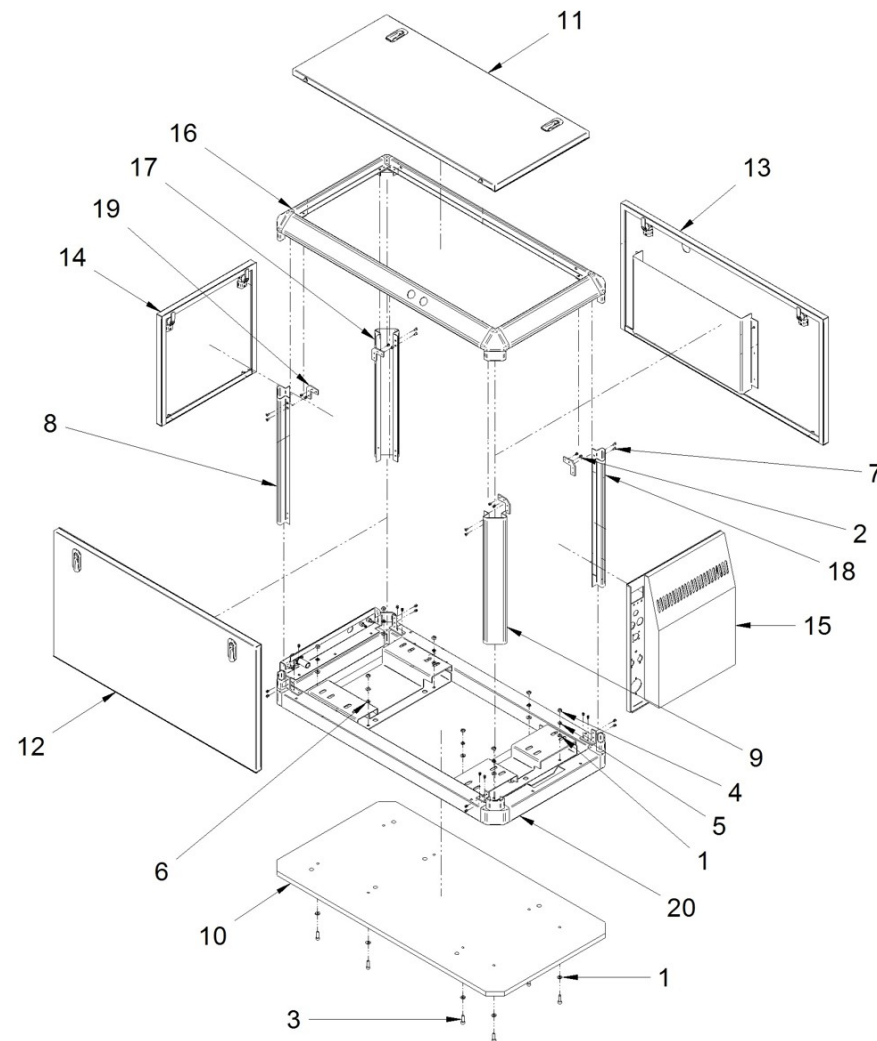
| Fig. | Ref. | Qty. | Descr. | Obs | From | UpTo |
|------|------|------|--------|-----|------|------|
|------|------|------|--------|-----|------|------|

| | | | | | | |
|---|-------------|---|----------------|--|--|--|
| 1 | 60573041.01 | 1 | Genset CHASSIS | | | |
|---|-------------|---|----------------|--|--|--|



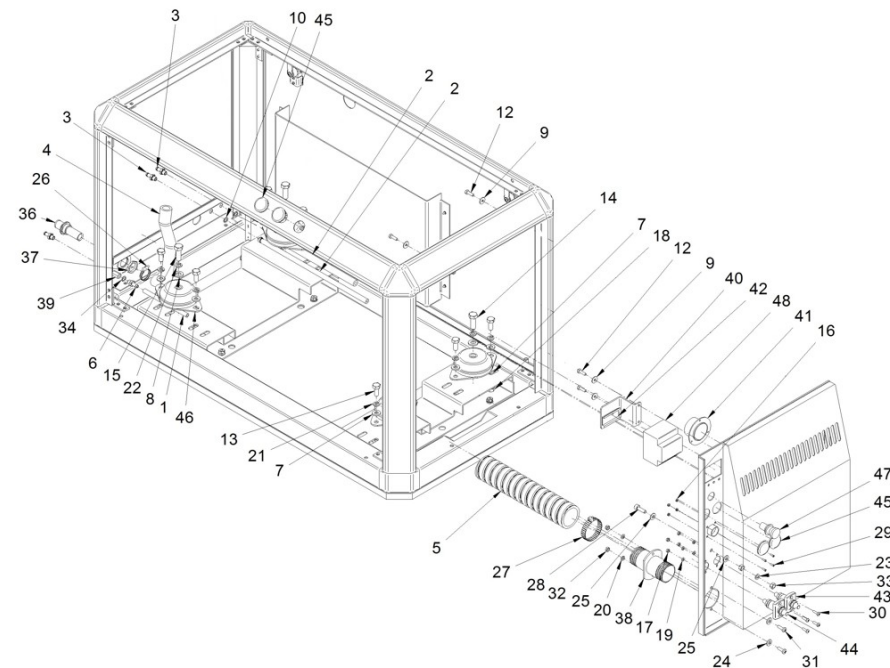
D_AXGD_4_1 Cabin

| Fig. | Ref. | Qty. | Descr. | Obs | From | UpTo |
|------|--------------|------|--------------------------|-----|------|------|
| 1 | 51030008 | 16 | Washer DIN 125-8 | | | |
| 2 | 51058054 | 25 | Aluminium Rivet 4.0 X 10 | | | |
| 3 | 52103258 | 8 | Bolt DIN 912 M8-25 8.8 | | | |
| 4 | 52120008 | 8 | Nut DIN 934 M8 8.8 | | | |
| 5 | 53033008 | 7 | Washer GROWER DIN 127-8 | | | |
| 6 | 53038008 | 1 | Washer DIN 6798-A 8 | | | |
| 7 | 53105104 | 8 | Bolt DIN 7991 M5-10 12.9 | | | |
| 8 | 60573041.03 | 1 | VERTICAL BAR | | | |
| 9 | 60573041.04 | 1 | VERTICAL BAR | | | |
| 10 | 60573041.10 | 1 | BASEBOARD | | | |
| 11 | 60573041.20 | 1 | Upper Panel | | | |
| 12 | 60573041.21 | 1 | Side Panel | | | |
| 13 | 60573041.22 | 1 | Air Output Panel | | | |
| 14 | 60573041.24 | 1 | Front Panel | | | |
| 15 | 60573041.25A | 1 | Back Panel | | | |
| 16 | 60573041.30 | 1 | Upper Frame | | | |
| 17 | 60573041.31 | 1 | VERTICAL BAR | | | |
| 18 | 60573041.32 | 1 | Vertical Bar | | | |
| 19 | 60573041.43 | 4 | L Fastening Bracket | | | |
| 20 | 60573041.63 | 1 | Bottom Frame | | | |



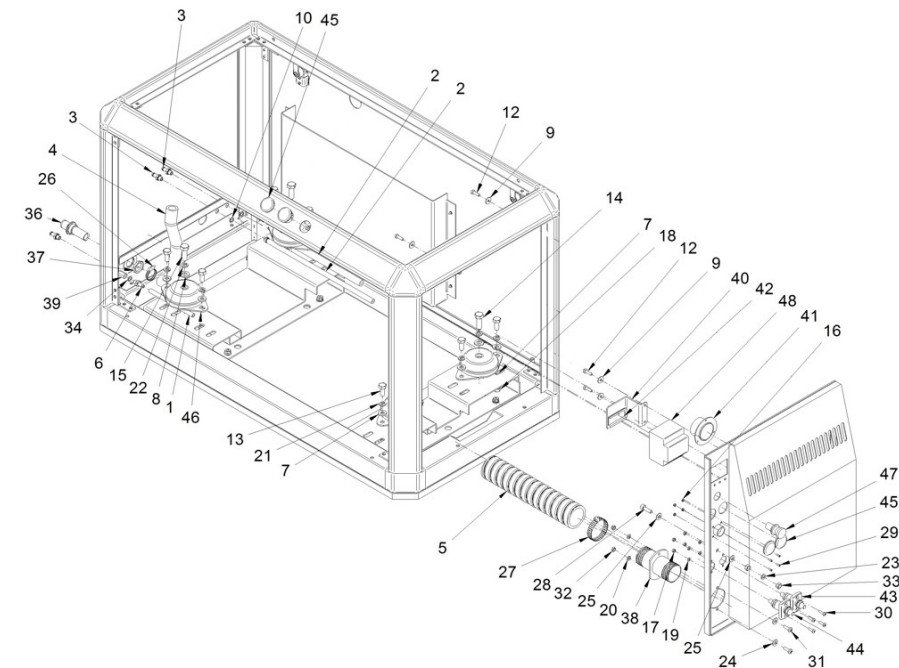
D_MI44GTDN_09_2 Canopy Kit

| Fig. | Ref. | Qty. | Descr. | Obs | From | UpTo |
|------|-----------|------|-----------------------------------|-----|------|------|
| 1 | M80501006 | 1.0 | Hose D.10-6 | | | |
| 2 | 19414011 | 3 | Fuel Hose | | | |
| 3 | 19414030 | 3 | STRAIGHT COUPLING 3/8 | | | |
| 4 | M88501928 | 0.0 | Water Intake Hose DNV D. 19-28 | | | |
| 5 | M88505062 | 1.0 | Exhaust Hose D. 51 | | | |
| 6 | 13814072 | 2 | Straight Hose Connector 1/8" NPTF | | | |
| 7 | 51030010 | 18 | Washer DIN 125-10 | | | |
| 8 | 51030012 | 5 | Washer DIN 125-12 | | | |
| 9 | 51031006 | 4 | Washer DIN 9021 6 | | | |
| 10 | 19414031 | 3 | BOLT 3/8 | | | |
| 12 | 52102157 | 4 | Bolt DIN 933 M6-20 8.8 | | | |
| 13 | 52102307 | 8 | Bolt DIN 933 M10-20 8.8 | | | |
| 14 | 52102359 | 2 | Bolt DIN 933 M12-30 8.8 | | | |
| 15 | 52102361 | 2 | Bolt DIN 933 M12-40 8.8 | | | |
| 16 | 52120003 | 4 | Nut DIN 934 M3 8.8 | | | |
| 17 | 52120005 | 4 | Nut DIN 934 M5 8.8 | | | |
| 18 | 52120010 | 8 | Nut DIN 934 M10 8.8 | | | |
| 19 | 53033005 | 4 | Washer GROWER DIN 127-5 | | | |
| 20 | 53033006 | 2 | Washer GROWER DIN 127-6 | | | |
| 21 | 53033010 | 8 | Washer GROWER DIN 127-10 | | | |
| 22 | 53033012 | 4 | Washer Grower DIN 127-12 | | | |
| 23 | 53038008 | 1 | Washer DIN 6798-A 8 | | | |
| 24 | 54030006 | 2 | Washer DIN 125-6 INOX. | | | |
| 25 | 54030008 | 2 | Washer DIN 125-8 INOX. | | | |
| 26 | 54081016 | 4 | Clamp DIN 3017 16-27/9 W4 | | | |
| 27 | 54083059 | 1 | GP Clamp 55-59 W4 STC | | | |
| 28 | 54103258 | 1 | Bolt DIN 912 M8-25 INOX. | | | |
| 29 | 54108003 | 4 | Bolt DIN 84 M3-8 INOX. | | | |
| 30 | 54118106 | 4 | Bolt DIN 7985 M5-16 INOX | | | |
| 31 | 54118157 | 2 | Bolt DIN 7985 M6-20 INOX | | | |
| 32 | 54120006 | 2 | Nut DIN 934 M6 INOX | | | |



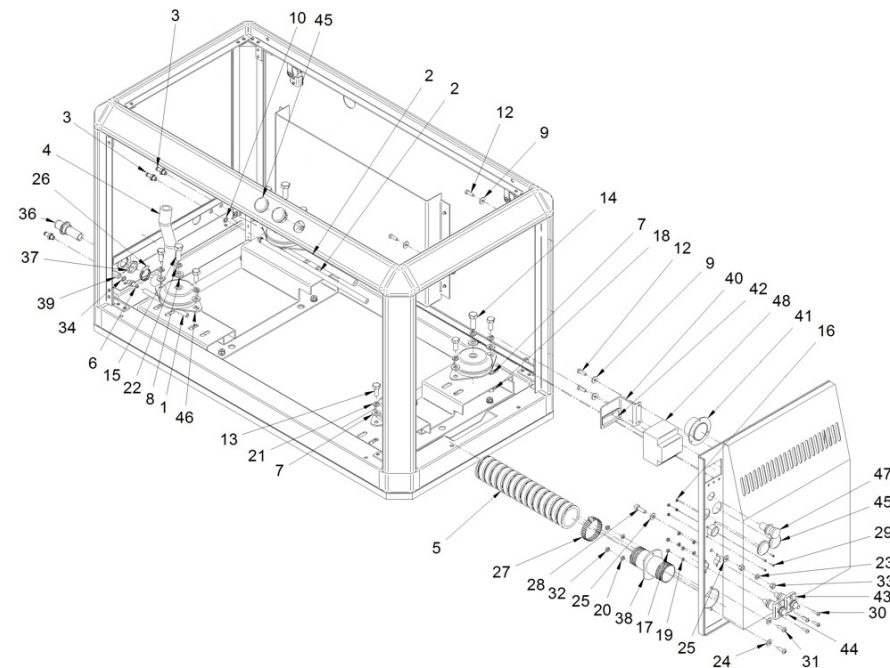
D_MI44GTDN_09_2 Canopy Kit

| Fig. | Ref. | Qty. | Descr. | Obs | From | UpTo |
|------|-------------|------|--|-----|------|------|
| 33 | 54120008 | 2 | Nut DIN 934 M8 | | | |
| 34 | 57000361 | 1 | Washer 10-14-1,5 | | | |
| 36 | 60572014 | 1 | Water Wall Bushing D.20 | | | |
| 37 | 60572014.1 | 1 | 3/4" GAS Nut | | | |
| 38 | 60573014 | 1 | Exhaust Wall PASS D.50 | | | |
| 39 | 60573041.39 | 1 | ROD Coupling 1/8 BSP | | | |
| 40 | 60573041.42 | 1 | L FASTENING Bracket With OMEGA | | | |
| 41 | 60573041.46 | 1 | Air Connection D.50 | | | |
| 42 | 60573041.64 | 1 | Switch Disconnecter Omega Bracket | | | |
| 43 | 60573047 | 1 | Battery Plug IN | | | |
| 44 | 60573048 | 1 | Battery Plug IN | | | |
| 45 | 60900508 | 4 | Shutter 31 | | | |
| 46 | 61673001 | 4 | Engine Mount Type F 35 SHA M12 H 34 | | | |
| 47 | 60900510 | 1 | Emergency Stop PUSH BOTTOM | | | |
| 48 | 60971085 | 1 | FOUR PoleS 25A DISConnector | | | |
| NS | 17210074 | 4 | Spacer 17X30X5 | | | |
| NS | 52102256 | 1 | Bolt DIN 933 M8-16 8.8 | | | |
| NS | 52202358 | 1 | Bolt DIN 933 M12-1,25-25 8.8 | | | |
| NS | 54082025 | 2 | Clamp DIN 3017 25-40/12 W4 | | | |
| NS | 54082032 | 4 | Clamp DIN 3017 32-50/12 W4 | | | |
| NS | 58018160 | 5 | Screw | | | |
| NS | 60972073 | 1 | 0,25 M. CHASSIS TO MOTOR Wiring GROUND | | | |
| NS | 60972074 | 1 | 0,44 M. Back Panel To Alt. Wiring Ground | | | |
| NS | 60972090 | 2 | TER. PROTECTIVE 20 RED | | | |
| NS | 60972091 | 2 | TER. PROTECTIVE 20 BLACK | | | |
| NS | 60972093 | 1 | TER. PROTECTIVE 28 BLACK | | | |
| NS | 60972094 | 1 | TER. PROTECTIVE 28 RED | | | |
| NS | 60973048 | 1 | BLACK Battery NEGATIVE Wiring | | | |
| NS | 60973049 | 1 | RED Battery POSITIVE Wiring | | | |
| NS | M88564500 | 1.0 | Air Aspiration Hose D. 45 | | | |
| NS | M88565000 | 0.0 | Air Aspiration Hose D. 50 | | | |



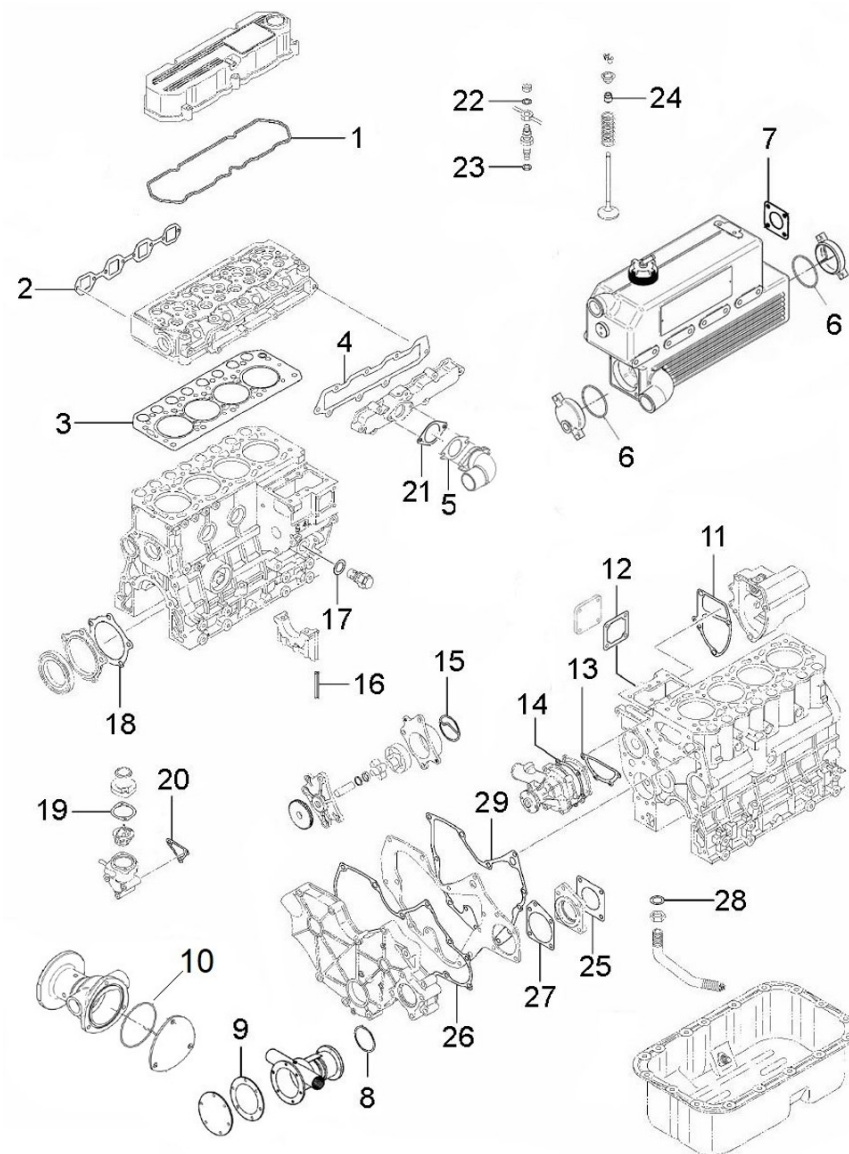
D_MI44GTDN_09_2 Canopy Kit

| Fig. | Ref. | Qty. | Descr. | Obs | From | UpTo |
|------|------------|------|---------------------------------|-----|------|------|
| NS | TP.16.L.22 | 4 | Twin Connector Terminal 16 Sec. | | | |



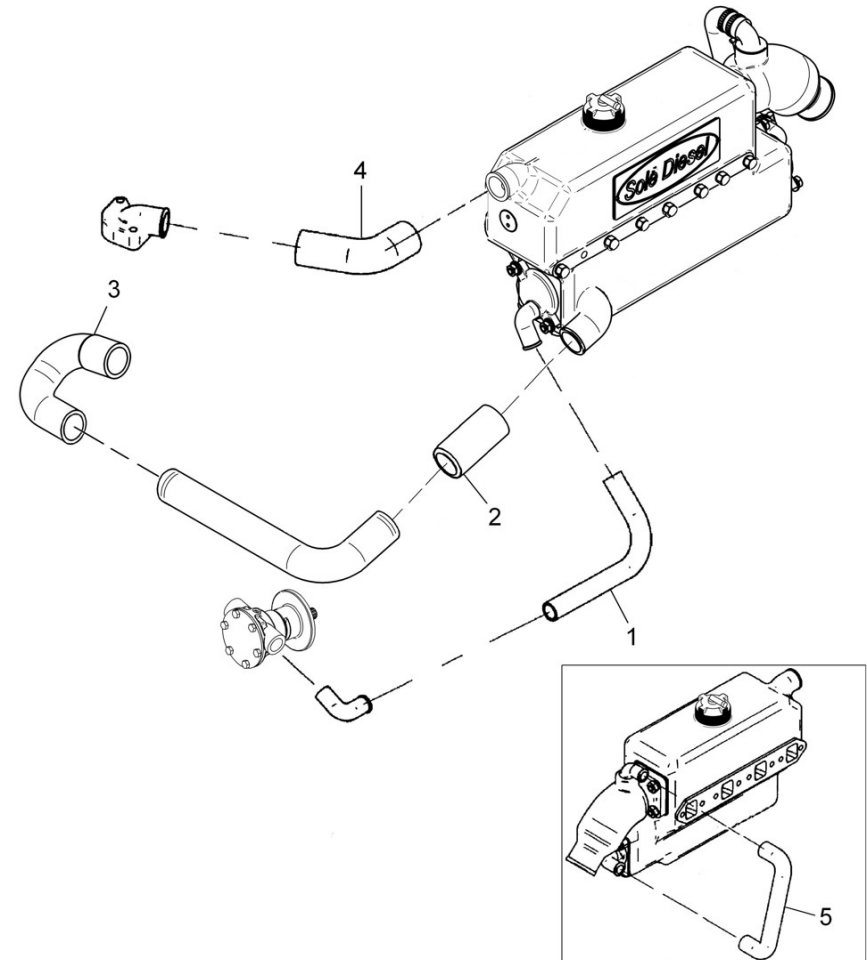
D_17320101G Gasket Kit

| Fig. | Ref. | Qty. | Descr. | Obs | From | UpTo |
|------|-------------|------|-----------------------------|-----|------------|------------|
| 1 | 17321010 | 1 | Rocker Cover Gasket | | | |
| 2 | 17321035.1 | 1 | Gasket | | | |
| 3 | 17321004 | 1 | Gasket, Cylinder Head | | | |
| 4 | 17321032 | 1 | Gasket, Inlet Cover | | | |
| 5 | 17321033 | 1 | Inlet Pipe Gasket | | | |
| 6 | 13811007 | 2 | O-Ring D. 57X2,5 | | | |
| 7 | 15113043 | 1 | Exhaust Elbow Gasket | | | |
| 8 | 17011007 | 1 | O-Ring D. 57X3 | | | |
| 9 | 31211003 | 1 | Gasket Cover | | | |
| 10 | 37611003 | 1 | O-Ring D. 57x1,5 | | | 01/06/2022 |
| 10 | 37611005 | 1 | O-Ring D. 57X1,78 | | 02/06/2022 | |
| 11 | 17223033 | 1 | Gasket, Governor Case | | | |
| 12 | 13223014 | 1 | Gasket Cover | | | |
| 13 | 13221022 | 1 | Gasket Water Pump | | | |
| 14 | 13221041 | 1 | Gasket Water Pump | | | |
| 15 | 17224041 | 1 | Packing, Body | | | |
| 16 | 17220002 | 4 | Seal, Side | | | |
| 17 | 17424063 | 1 | Gasket | | | |
| 18 | 17220016 | 1 | Gasket, Oil Seal Case | | | |
| 19 | 17221031 | 1 | Gasket, Thermostat | | | |
| 20 | 17221033 | 1 | Gasket, Thermostat Case | | | |
| 21 | 17321034.4 | 1 | Pipe Inlet Gasket | | | |
| 22 | 17424025G.1 | 4 | Gasket Fuel Return (Genset) | | | |
| 23 | 13824013 | 4 | Injector Washer | | | |
| 24 | 13222054 | 8 | Seal Valve Stem | | | |
| 25 | 13120047 | 3 | Gasket Water Pump | | | |
| 26 | 17220040 | 1 | Gasket, Gear Case | | | |
| 27 | 17220038 | 1 | Gasket, Housing | | | |
| 28 | 17024001 | 1 | Gasket | | | |
| 29 | 17220018 | 1 | Gasket, Front Plate | | | |



17311101 Pipe Rubber Set, Water Line TAC

| Fig. | Ref. | Qty. | Descr. | Obs | From | UpTo |
|------|----------|------|-------------------------------|-----|------|------|
| 1 | 17011012 | 1 | Elbow | | | |
| 2 | 15211053 | 1 | Pipe 38-50-100 | | | |
| 3 | 19411034 | 1 | Pipe, Rubber | | | |
| 4 | 17211021 | 1 | Elbow | | | |
| 5 | 17211034 | 1 | Rubber WET Exhaust Inlet BEND | | | |



37611000K Repair Kit Water Pump 1/2"

| Fig. | Ref. | Qty. | Descr. | Obs | From | UpTo |
|------|----------|------|-------------------|-----|------------|------------|
| 1 | 31211008 | 1 | 1/2" Impeller | | | |
| 2 | 37611003 | 1 | O-Ring D. 57x1,5 | | | 01/06/2022 |
| 2 | 37611005 | 1 | O-Ring D. 57X1,78 | | 02/06/2022 | |
| 3 | 33411020 | 1 | Seal | | | |
| 4 | 33411019 | 1 | Seal | | | |
| 5 | 33311013 | 1 | O-Ring D. 15X2 | | | |
| NS | 17011007 | 1 | O-Ring D. 57X3 | | | |



D_UTILFA1229_1 Special Tools

| Fig. | Ref. | Qty. | Descr. | Obs | From | UpTo |
|------|-------------|------|----------------------------|-----|------|------|
| 1 | UMM74007 | 1 | Piston Ring Pliers | | | |
| 2 | U31A9100100 | 1 | Piston pin setting tool | | | |
| 3 | UST332270 | 1 | Compression Gauge Adapter | | | |
| 4 | UST332340 | 1 | Camshaft Bushing Installer | | | |

