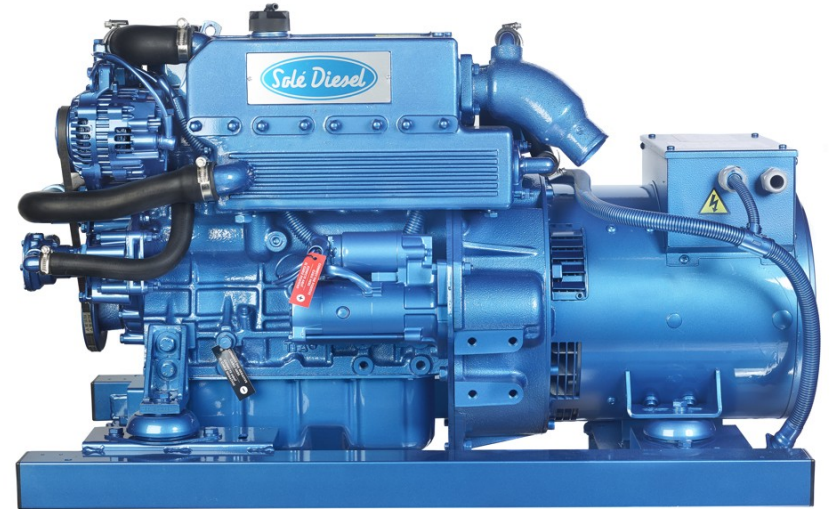




Genset 17 GT/GTC & 20 GTA/GTAC Type Approval Certificate

VERSION 2024-3

PART LIST



PARTS LIST CATALOGUE

NORMS TO PLACE AN ORDER

For fast and more efficient service, please specify the following information on spare parts orders that must be preferably done by e-mail as specified below:

- 1- Engine model: As shown in identification plate
- 2- Engine serial number: As shown in identification plate and stamped on crankcase
- 3- Item description + part number + quantity required

Spare parts requests must be addressed to :

orders@solediesel.com

Telf.: +34 93 775 44 05

The components shown in the catalog have:

- Figure: Number by which they are represented in scheme
- Description: Trade name of the component
- Quantity: Total number of parts used in the assembly of the part represented (may differ from the total minimum quantities)

Hoses, indicates the total length in meters

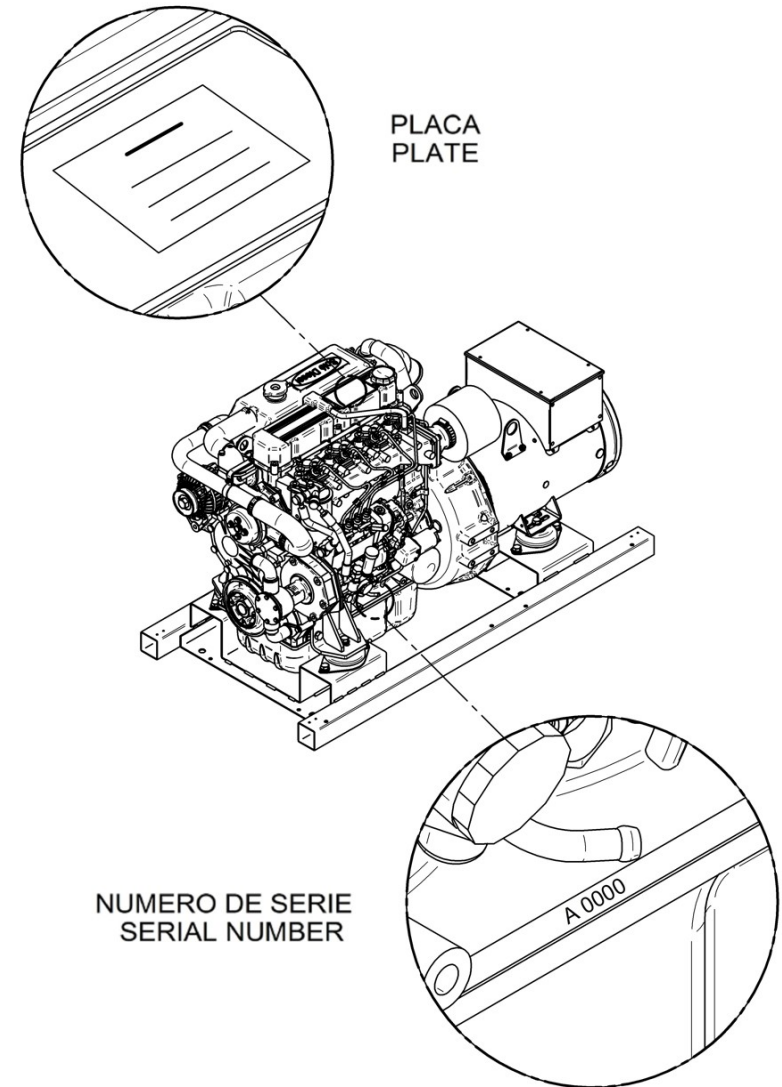
The diagrams shown in this catalog of spare parts, have only the purpose to identify the piece in question, its representation is not meaningful and may differ from the actual piece.

In case of doubt, contact Solé Diesel, or your authorized dealer.

The parts i / or references in this catalog are subject to change without notice.

SOLE, S.A.

C-243b, km, 2 - P.O. BOX 25
08760 Martorell (Barcelona) Spain



Index

Engine Body

- Cylinder Head
- Rocker Cover & Breather
- Valve Drive
- Timing Parts
- Gear Case
- Crankcase
- Rear Plate
- Piston & Connecting Rod
- Crankshaft & Flywheel
- Oil System
- Oil Pan
- Engine Brackets
- Drive Belt Guard For Genset Without Canopy

Inlet & Exhaust

- Inlet

Cooling System

- Water Pump
- Cooler Pipes
- Water Cooler Assy MINI-44 TAC
- Wet Exhaust
- Splined Pump 1/2" MINI-11/17/29/33/44

Fuel System

- Fuel Pipe And Fuel Leak Alarm
- Injection Nozzle
- Fuel Injection Pump
- Governor Parts
- Fuel Supply Parts

Electrical System

- Electrical System 12V
- Electrical System 24V
- Parallel control system 12V
- Control and Power Cabinets
- Genset Extension TAC

Genset Alternator Spare Parts

- Alternator 17 GT/GTC and 20 GTA/GTAC
- Alternator Spare Parts

Genset Alternator Kit

- Alternator Kit Without Canopy
- Alternator Kit With Canopy 400/230V And 480/277V
- Alternator Kit With Canopy 230V And 240V

Chassis

Canopy Spare Parts

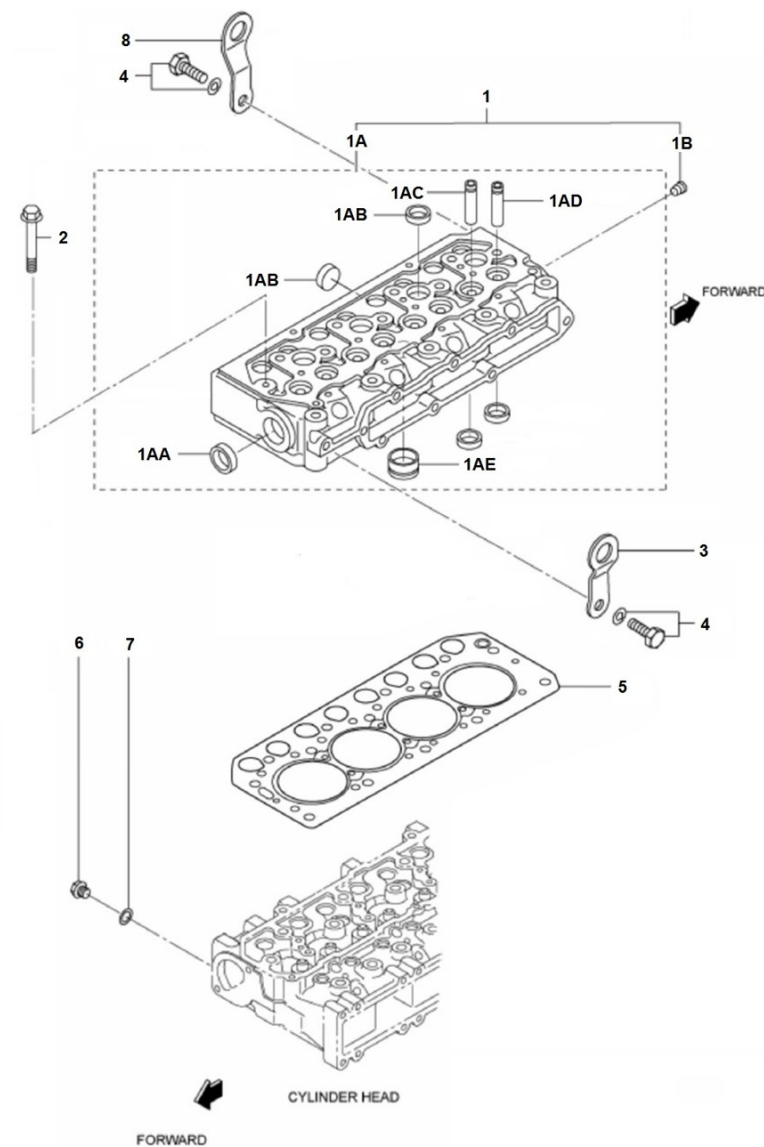
- Cabin
- Canopy Kit

Maintenance Kit

- Gasket Kit
- Pipe Rubber Set, Water Line TAC
- Repair Kit Water Pump 1/2"
- Special Tools

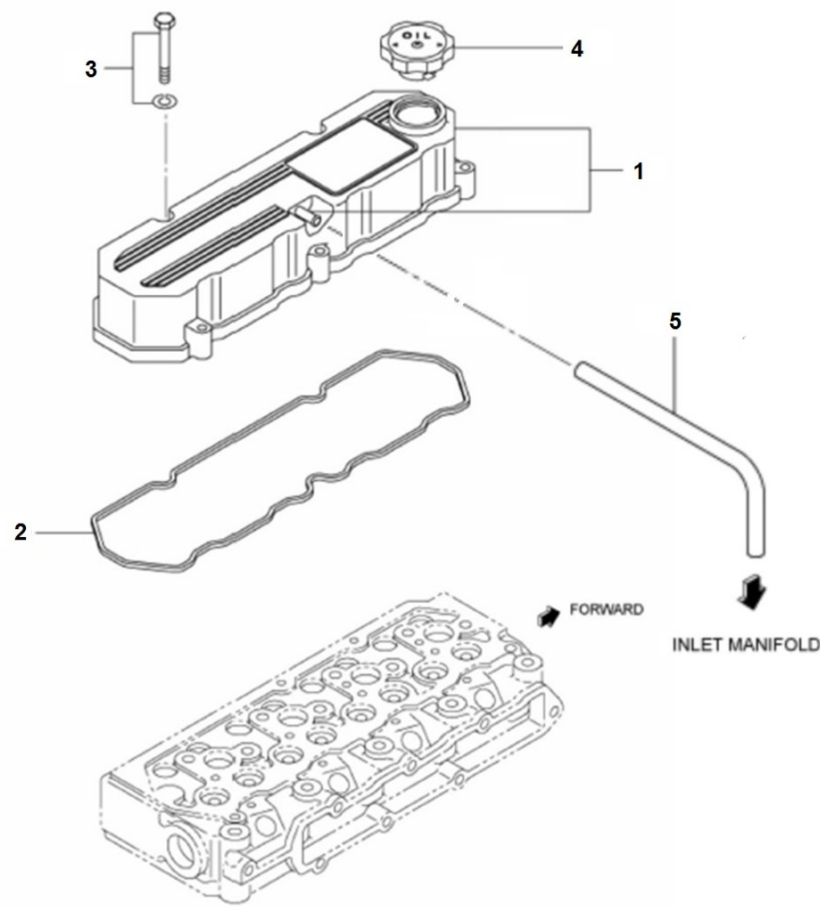
D_GD01_1_1 **Cylinder Head**

Fig.	Ref.	Qty.	Descr.	Obs	From	UpTo
1	17321001G.1	1	Head Assy,cylinder			
1A	17321002	1	Cylinder Head			
1AA	17020012	1	Cap			
1AB	13220012	7	Cap Sealing			
1AC	17221002	4	Guide, Valve Exhaust			
1AD	17221003	4	Guide, Valve, Inlet			
1AE	17221015G	4	Jet, Combustion (Generator)			
1B	17820011	1	Plug, Tapered			
2	17221005	14	Bolt,cylinder head			
3	13221011	1	HANGER Engine			
4	17720010	2	Bolt,W/Washer			
5	17321004	1	Gasket, Cylinder Head			
6	17121016	1	Plug, drain			
7	17121013	1	Gasket			
8	17210008	1	HANGER, Engine			



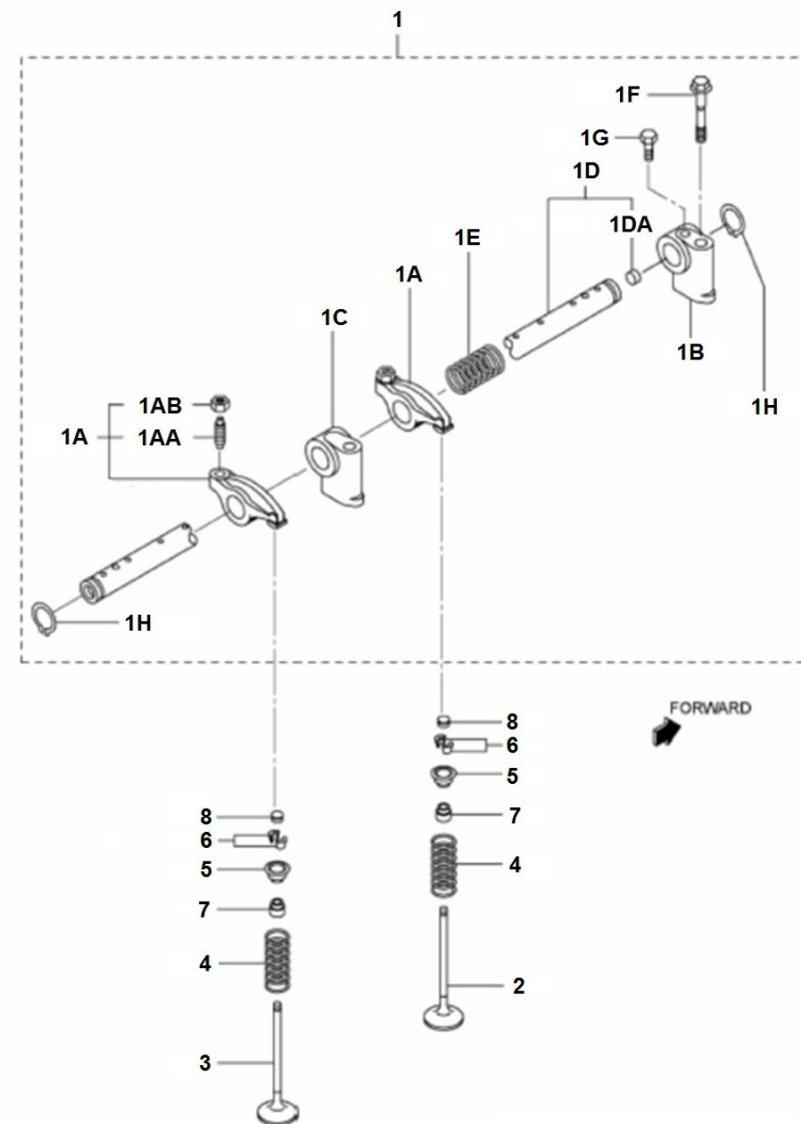
D_GD01_1_2 **Rocker Cover & Breather**

Fig.	Ref.	Qty.	Descr.	Obs	From	UpTo
1	17321009	1	Cover Assy, Rocker			
2	17321010	1	Rocker Cover Gasket			
3	17421014G.1	5	Bolt W/Washer (Generator)			
4	17221003G	1	Cap Oil Filler			
5	17321006.4	1	Hose Breather			



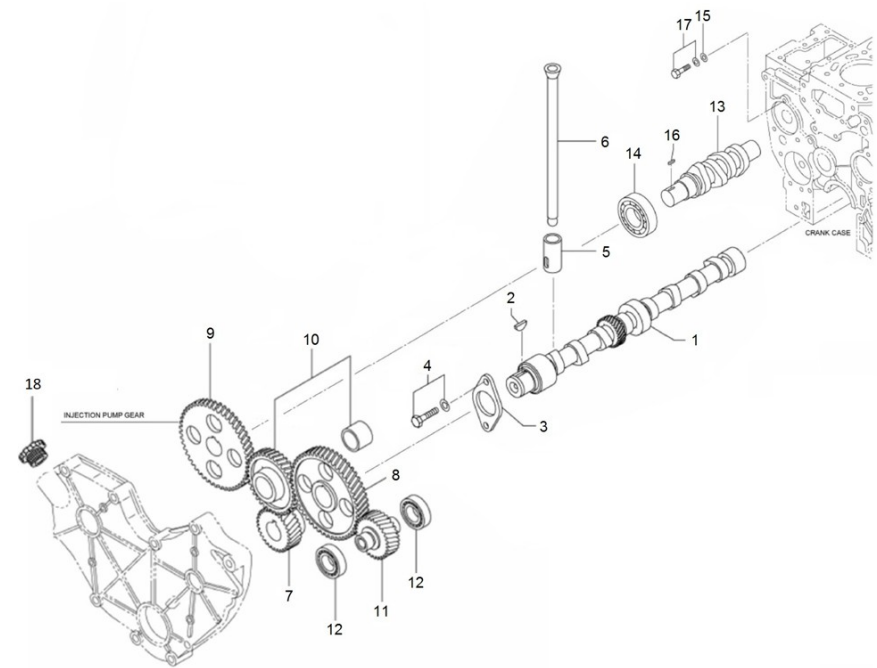
D_GD01_1_3 **Valve Drive**

Fig.	Ref.	Qty.	Descr.	Obs	From	UpTo
1	17322001	1	Shaft, Rocker Arm-In			
1A	17222142G	8	Rocker Assy			
1AA	17122044	8	Screw Adjusting			
1AB	17122060	8	Nut			
1B	17222048	1	Bracket, Rocker Shaft			
1C	17222049	3	Bracket, Rocker Shaft			
1D	17322046.4	1	Shaft Assy, Rocker			
1DA	17222025.4	2	Cap, Sealing			
1E	17422047G.1	3	Spring,Rocker			
1F	17222053.5G	4	Bolt			
1G	17222053	1	Bolt			
1H	17222050	2	Ring, SNAP			
2	17222055G	4	Intake Valve (Genset)			
3	17222056G	4	Exhaust Valve (Genset)			
4	17222057	8	Spring, Valve, INNER			
5	13822058	8	Retainer Valve SP			
6	13222059	16	Lock Valve			
7	13222054	8	Seal Valve Stem			
8	13822069	8	Cap Stem			

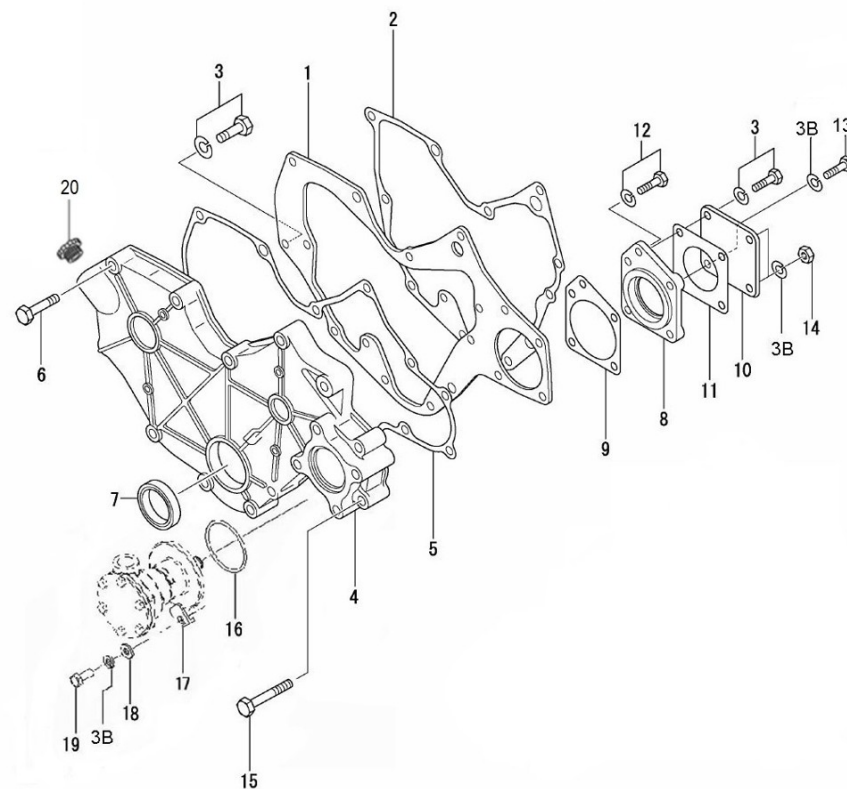


D_GD01_1_4 Timing Parts

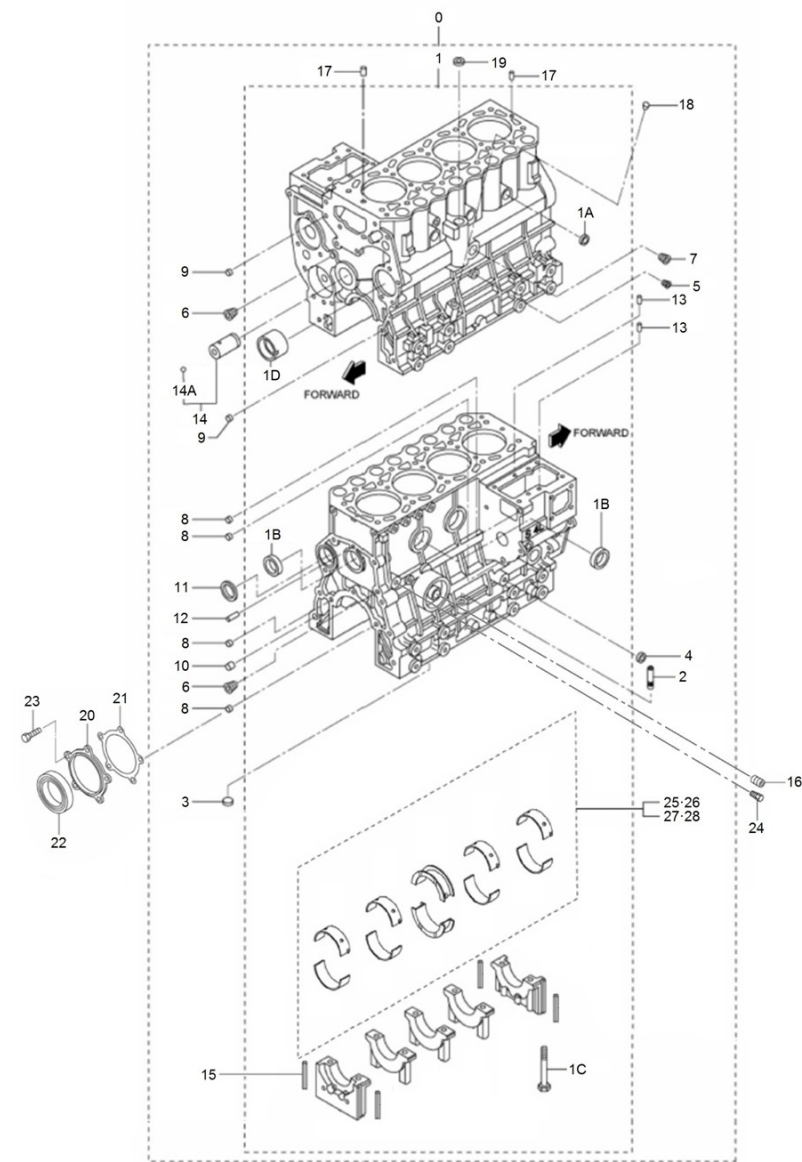
Fig.	Ref.	Qty.	Descr.	Obs	From	UpTo
1	17322035	1	CamShaft			
2	13222020	1	KEY			
3	17422075	1	Plate,THRUST			
4	17821012	2	Bolt,W/Washer			
5	13222061	8	Tappet			
6	17222041	8	ROD, PUSH			
7	17222021	1	Gear, CrankShaft			
8	17222037	1	Gear, CamShaft			
9	17222043	1	Gear, Injection Pump			
10	17222038	1	Gear Assy, IDLER			
11	17222066G.1	1	Gear, Pressure Oil Pump			
12	17022067	2	Ball Bearing 6205-C3			
13	17322040	1	Shaft, Fuel Injection Pump			
14	13222062	1	Ball Bearing 6228			
15	17222065	1	Washer			
16	17622060.4	1	Key, Sunk			
17	17422037G.1	1	Bolt W/Washer (Generator)			
18	17621003	1	Cap Oil FILLER			



D_MID1_1_5		Gear Case				
Fig.	Ref.	Qty.	Descr.	Obs	From	UpTo
1	17220024	1	Plate, Front			
2	17220018	1	Gasket, Front Plate			
3A	52102256	5	Bolt DIN 933 M8-16 8.8			
3B	53033008	12	Washer GROWER DIN 127-8			
4	17220035	1	Case Gear			
5	17220040	1	Gasket, Gear Case			
6	17220034.4	8	Bolt			
7	13220039	1	Seal Oil			
8	17220037	1	Housing, Gear Pump			
9	17220038	1	Gasket, Housing			
10	13120046	1	Cover Oil Pump SH			
11	13120047	1	Gasket Water Pump			
12	13322078	1	Bolt			
13	52101260	1	Bolt DIN 931 M8-35 8.8			
14	17120049	2	Nut M8			
15	17024062	2	Bolt			
16	17011007	1	O-Ring D. 57X3			
17	13811062	4	Pump Bracket			
18	51030008	4	Washer DIN 125-8			
19	52102257	4	Bolt DIN 933 M8-20 8.8			
20	17621003	1	Cap Oil FILLER			

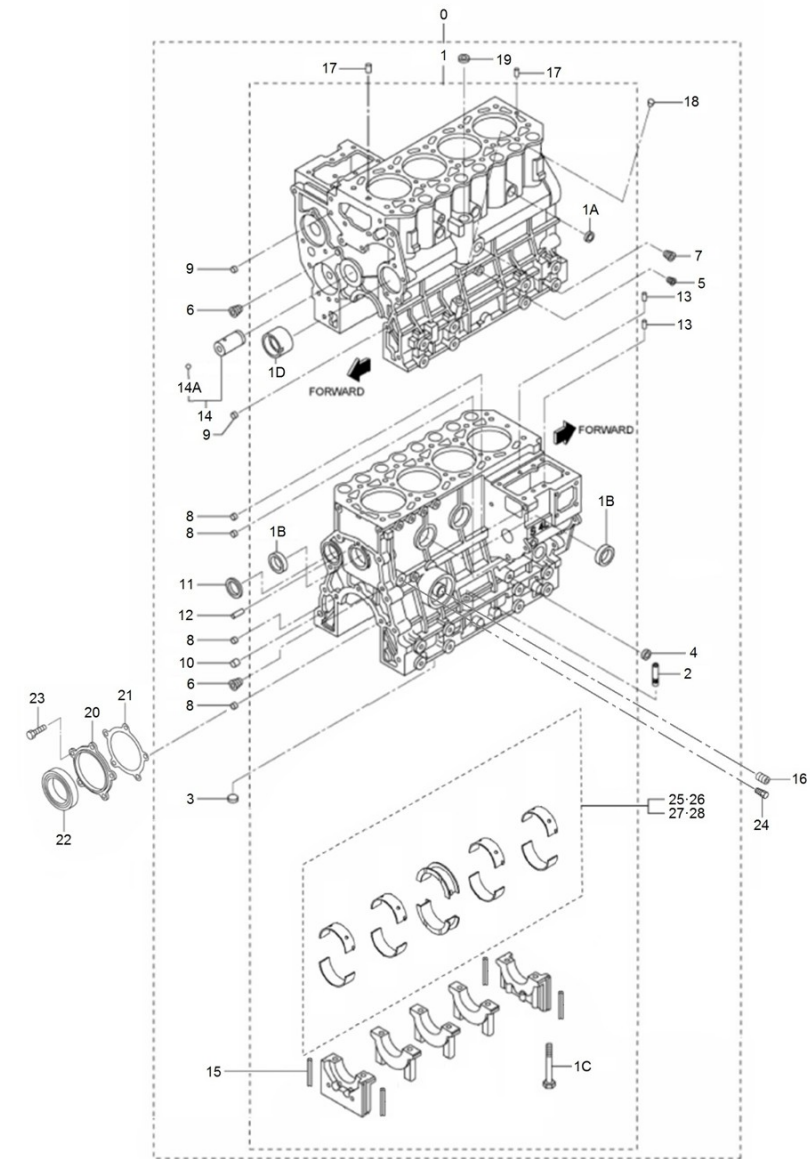


D_GD01_1_6		Crankcase			
Fig.	Ref.	Qty.	Descr.	Obs	From UpTo
0	17320001G.1	1	Block Assy, Cylinder		
1	(*)	1	Not available		
1A	17220006	3	Cap, Sealing		
1B	13320006	3	Cap, Sealing		
1C	17220009	10	Bolt Bearing Cap		
1D	17220011	1	Bushing, CamShaft		
2	17620007.4	1	Guide		
3	17220012.4	1	Cap, Sealing		
4	17220013	1	Cap, Sealing		
5	17820011	1	Plug, Tapered		
6	17720011	2	Plug, TAPERED		
7	17120021	1	Plug, taper		
8	13120009	4	Bushing		
9	13220021	2	Bushing KNOCK		
10	13220022	1	BUSHING, KNOCK		
11	17220019	1	Plug, Expansion		
12	17620020.4	1	Pin		
13	17620036.4	2	Pin Dowel		
14	17220014	1	Shaft Assy, IDLER		
14A	17220028	1	Ball		
15	17220002	4	Seal, Side		
16	13124047	1	Shaft Oil Filter		
17	17120019	2	Pin, dowel		
18	17220023	1	Plug, TAPER		
19	17020014	1	Cap		
20	17220015	1	Case, Oil Seal		
21	17220016	1	Gasket, Oil Seal Case		
22	17220063	1	Seal, Oil		
23	52102257	5	Bolt DIN 933 M8-20 8.8		
24	17824003	1	Plug, Tapered		
25	13220003	1	Bearing Set CRANK		



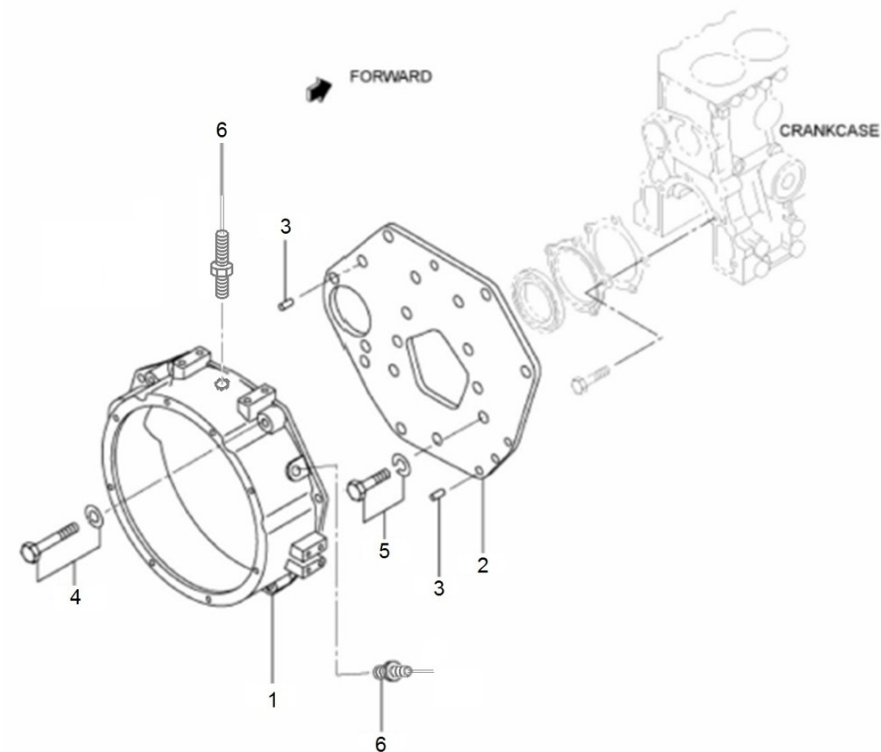
D_GD01_1_6 Cranckcase

Fig.	Ref.	Qty.	Descr.	Obs	From	UpTo
26	13220004	1	Bearing Set CRANK			
27	17320005	1	Bearing Set Crank			
28	17320006	1	Bearing Set Crank			



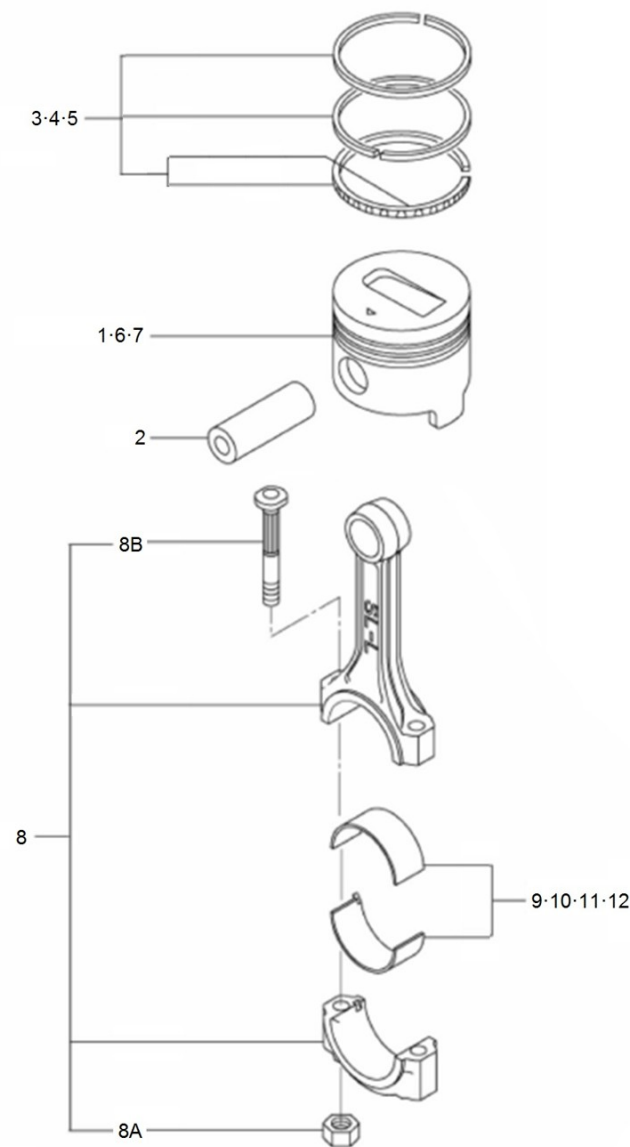
D_MI44GSTDN_01_7 Rear Plate

Fig.	Ref.	Qty.	Descr.	Obs	From	UpTo
1	17220004G	1	Housing Flywheel Double Pick-Up(Generator)			
2	17220017	1	Plate, REAR			
3	17320026	2	Pin			
4	17320018	2	Bolt			
5	17320019	13	Bolt			
6	60972519	2	Magnetic Speed Sensor			



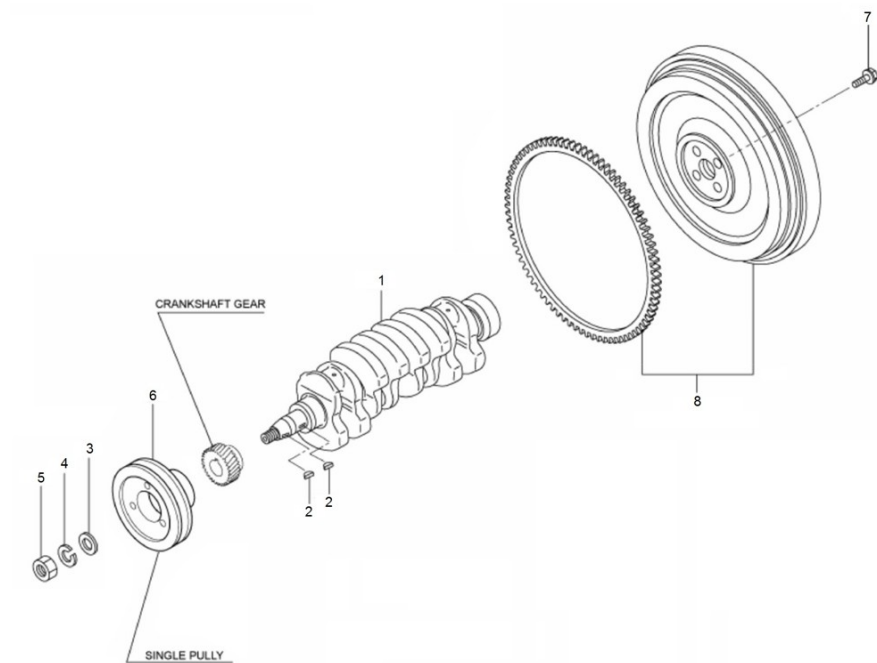
D_GD01_1_8 Piston & Connecting Rod

Fig.	Ref.	Qty.	Descr.	Obs	From	UpTo
1	17222005	4	Piston			
2	17222009	4	Pin, Piston			
3	17722006	4	Ring Set,Piston STD.			
4	17722007	4	Ring Set,Piston O.S 0.25			
5	17722008	4	Ring Set,Piston O.S 0.50			
6	17322012	4	Piston + 0,25			
7	17322013	4	Piston + 0,50			
8	17322010	4	ROD Assy, CONNECTING			
8A	17022011	8	Nut,connecting rod			
8B	17222013	8	Bolt,connecting rod			
9	17222014	4	Metal Set, Con Rod STD.			
10	17222015	4	METAL Set, CON ROD - 0,25			
11	17222016	4	METAL Set, CON ROD - 0,50			
12	17222017	4	METAL Set, CON ROD - 0,75			



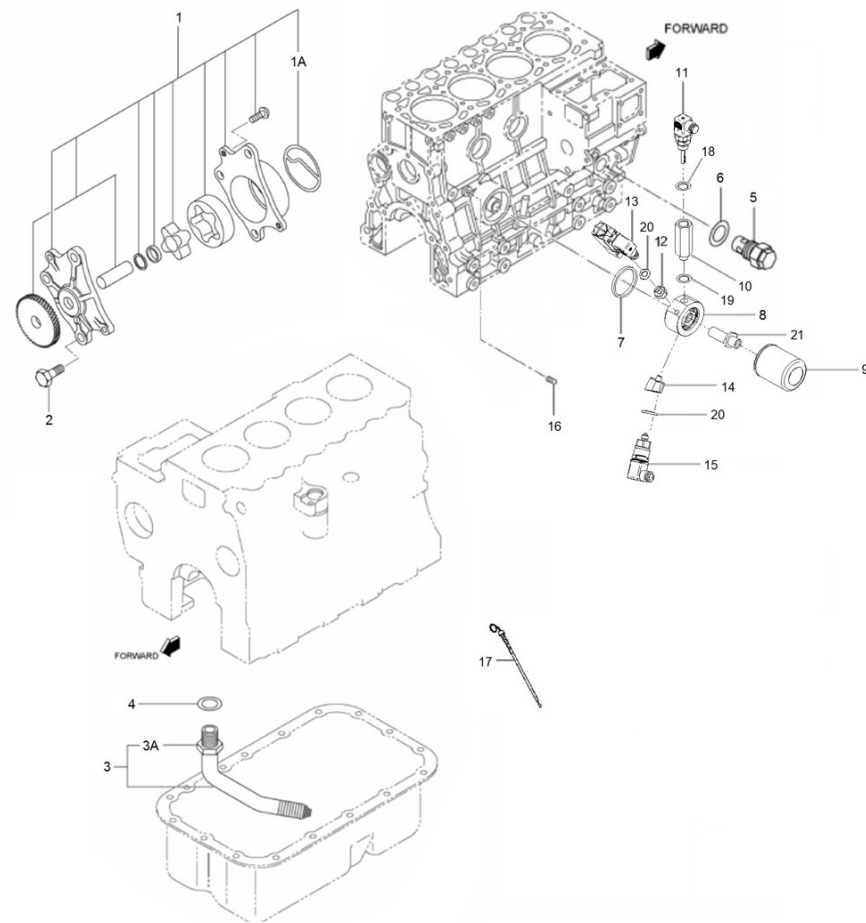
D_GD01_1_9 Crankshaft & Flywheel

Fig.	Ref.	Qty.	Descr.	Obs	From	UpTo
1	17322018	1	CrankShaft			
2	13222020	2	KEY			
3	17222051	1	Washer, Plain			
4	53033018	1	Washer GROWER DIN 127-18			
5	13222026	1	Nut			
6	17322024.4	1	Pulley CrankShaft			
7	17022031	4	Bolt Drive			
8	17322027G.1	1	Flywheel Assy			



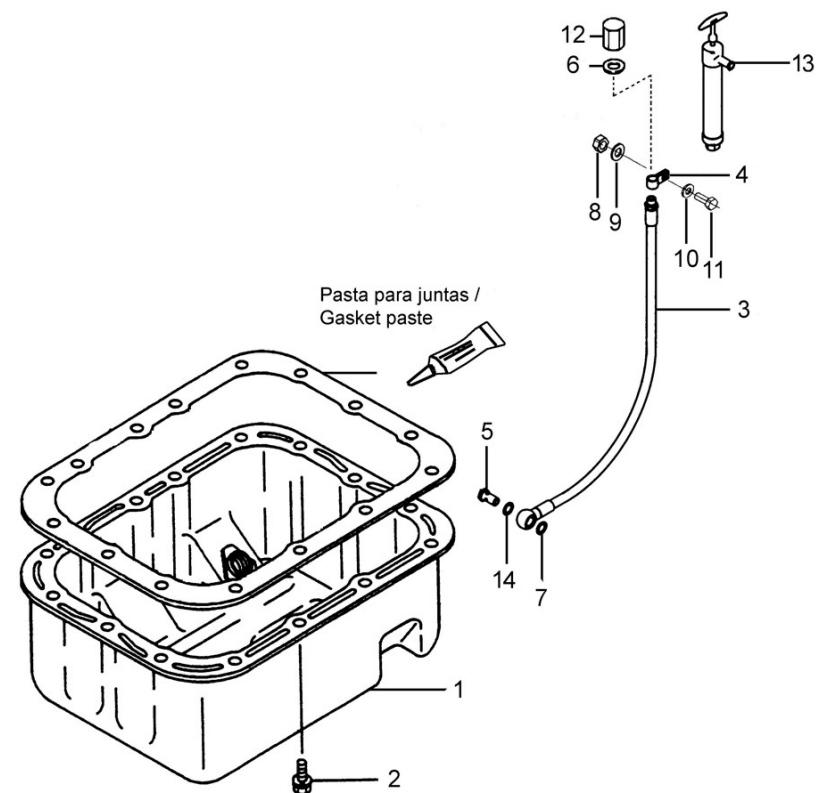
D_MI44GSTDN_01_10 Oil System

Fig.	Ref.	Qty.	Descr.	Obs	From	UpTo
1	17224040	1	Pump Assy, Oil			
1A	17224041	1	Packing, Body			
2	17302258	3	Bolt			
3	13224052	1	SCREEN Assy Oil			
3A	13822026	1	Nut			
4	17024001	1	Gasket			
5	17124071	1	Valve, Assy			
6	17424063	1	Gasket			
7	13812015.05	1	Remote Oil Filter Gasget			
8	17314030	1	Fuel filter Racor Flange			
9	13124051	1	Oil Filter Element from MINI 11 to 55			
10	17A17028	1	Conversion Adapter G1/2 a 3/8			
11	60994075	1	Temperature Sensor			
12	17A17032	1	Conversion Adapter R 1/8 A G1/4			
13	6097A072	1	Compact Pressure Switch			
13A	60900956	1	10k ohm Resistor			
14	17A17035.1	1	Conversion Adapter G1/4 a G1/8 BSPT			
15	60994076	1	Marine Approved Pressure Transmitters			
16	17820011	1	Plug, Tapered			
17	17220029	1	Gauge Oil LEVEL			
18	56000083	1	Washer 21-26-1,5			
19	56000077	1	Washer 18-23-1,5			
20	56000020	2	Washer 14,3-22-1			
21	17314031	1	Special Eye Bolt M10			



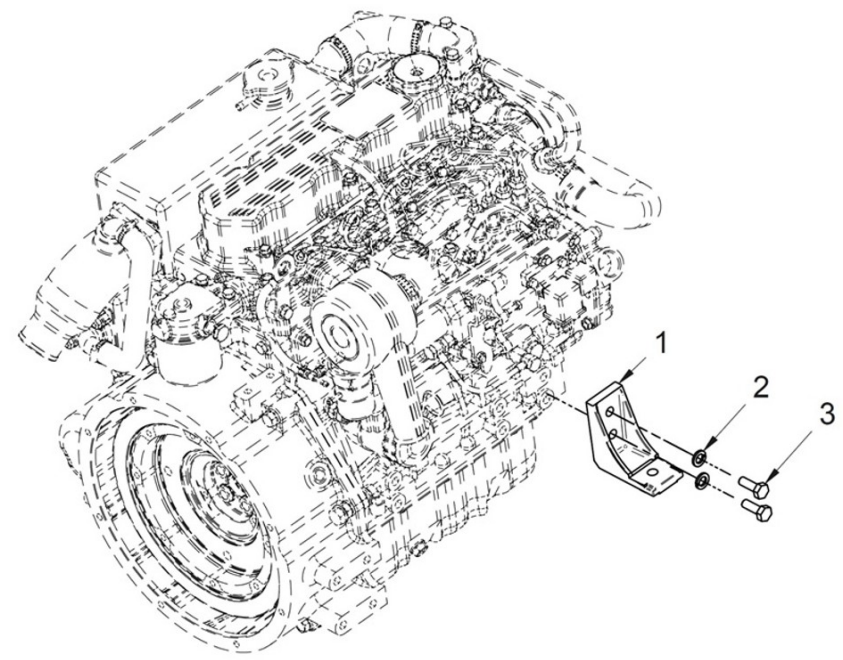
D_GD01_1_11 Oil Pan

Fig.	Ref.	Qty.	Descr.	Obs	From	UpTo
1	17320030G	1	PAN Assy, Oil (Generator)			
2	17821012	17	Bolt,W/Washer			
3	17214021	1	ExtraCTION, Hose			
4	17214022	1	Bracket, Pipe			
5	12814051	1	Screw,eye			
6	56000217	1	Washer 13-20-3			
7	56000219	1	Washer 14-20-3			
8	52220012	1	Nut DIN 934 M12-1,25 8.8			
9	51030012	1	Washer DIN 125-12			
10	53038012	1	Washer DIN 6798-A 12			
11	52202363	1	Bolt DIN 933 M12-1,25-50 8.8			
12	16514020	1	Plug			
13	14714001	1	Oil Extraction Pump			
14	56000069	1	Washer 14-20-1,5			



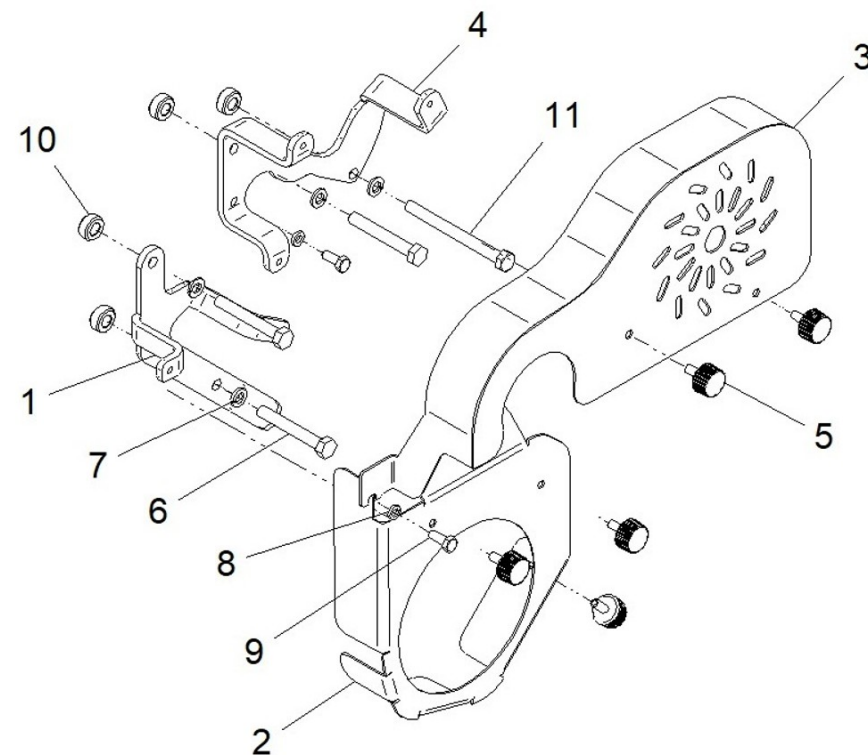
D_GC01_1_12 Engine Brackets

Fig.	Ref.	Qty.	Descr.	Obs	From	UpTo
1	17210034	2	Front Bracket			
2	53033012	2	Washer Grower DIN 127-12			
3	52202359	2	Bolt DIN 933 M12-1,25-30 8.8			



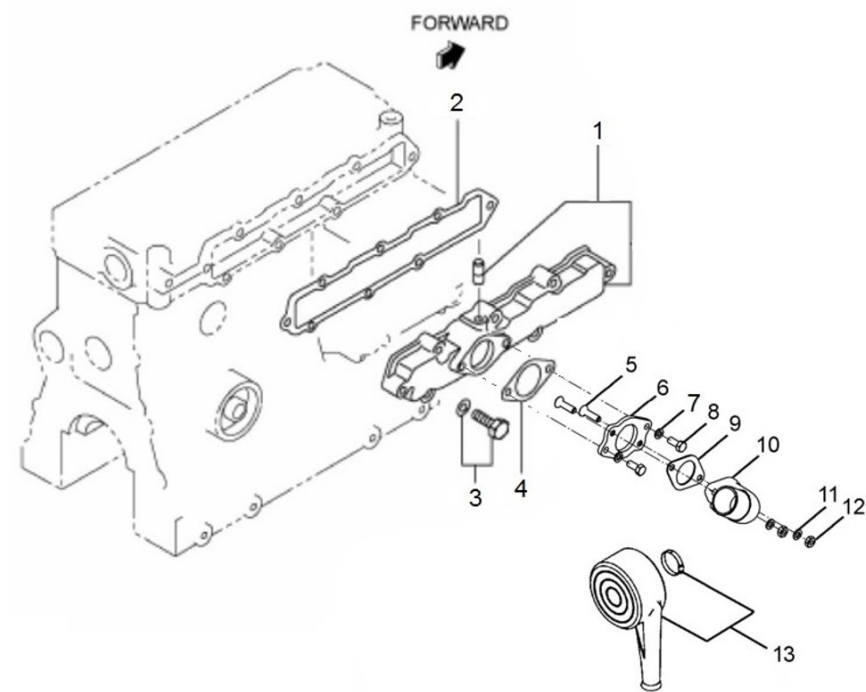
D_MI44GSTDN_01_13 Drive Belt Guard For Genset Without Canopy

Fig.	Ref.	Qty.	Descr.	Obs	From	UpTo
1	17310040	1	Bracket			
2	17310041	1	Drive Belt Guard			
3	17310043	1	Drive Belt Guard			
4	17310042	1	Bracket			
5	13810247	5	Grip Knob M6			
6	52101265	3	Bolt DIN 931 M8-60 8.8			
7	53033008	4	Washer GROWER DIN 127-8			
8	51030006	2	Washer DIN 125-6			
9	52102156	2	Bolt DIN 933 M6-16 8.8			
10	12117044	4	Spacer			
11	52101271	1	Bolt DIN 931 M8-90 8.8			
NS	18517013	1	Spacer 10X20X7			



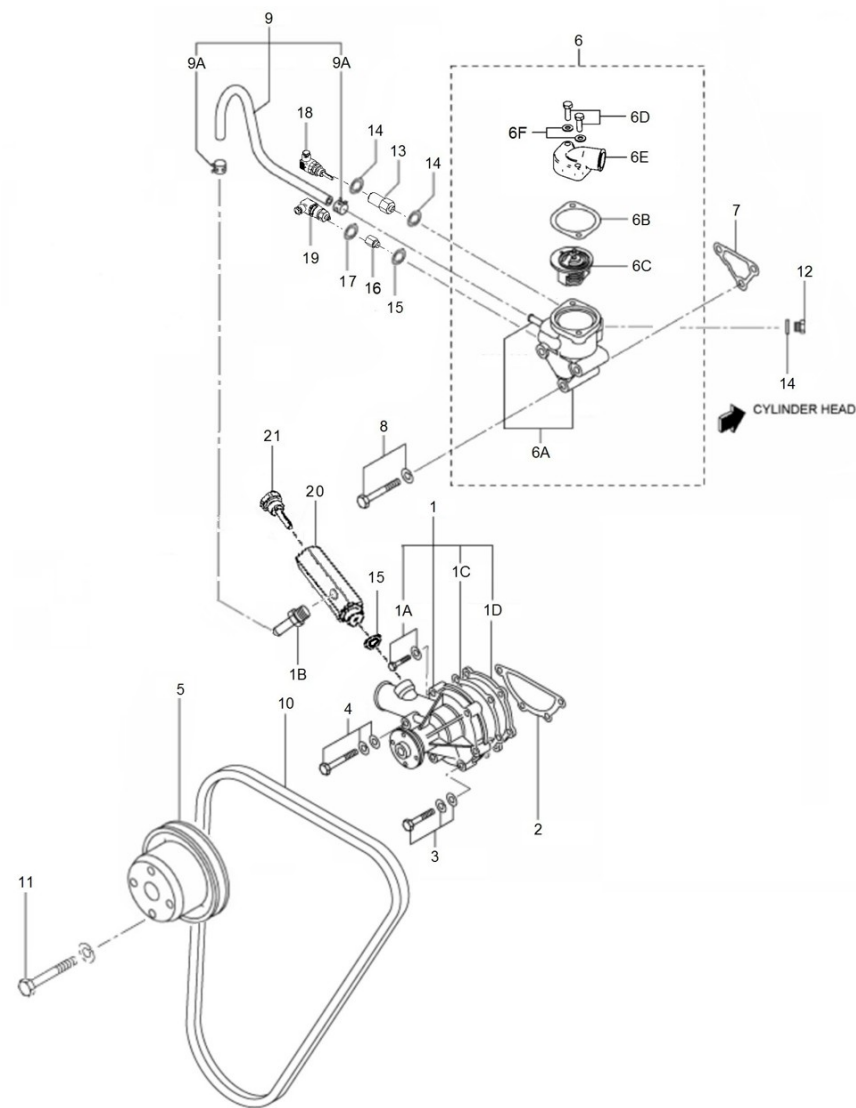
D_MI44GSTDN_02_1 Inlet

Fig.	Ref.	Qty.	Descr.	Obs	From	UpTo
1	17321030G	1	Cover Assy, Inlet			
2	17321032	1	Gasket, Inlet Cover			
3	17721011	8	Bolt,W/Washer			
4	17321034.4	1	Pipe Inlet Gasket			
5	52105258	2	Bolt DIN 7991 M8-25 10.9			
6	17310021.1	1	Inlet Flange			
7	53033008	2	Washer GROWER DIN 127-8			
8	52102257	2	Bolt DIN 933 M8-20 8.8			
9	17221034	1	Gasket, Inlet Pipe			
10	17210020.1	1	Elbow, Air Filter			
11	53038008	2	Washer DIN 6798-A 8			
12	52120008	2	Nut DIN 934 M8 8.8			
13	13810074	1	Air Filter			



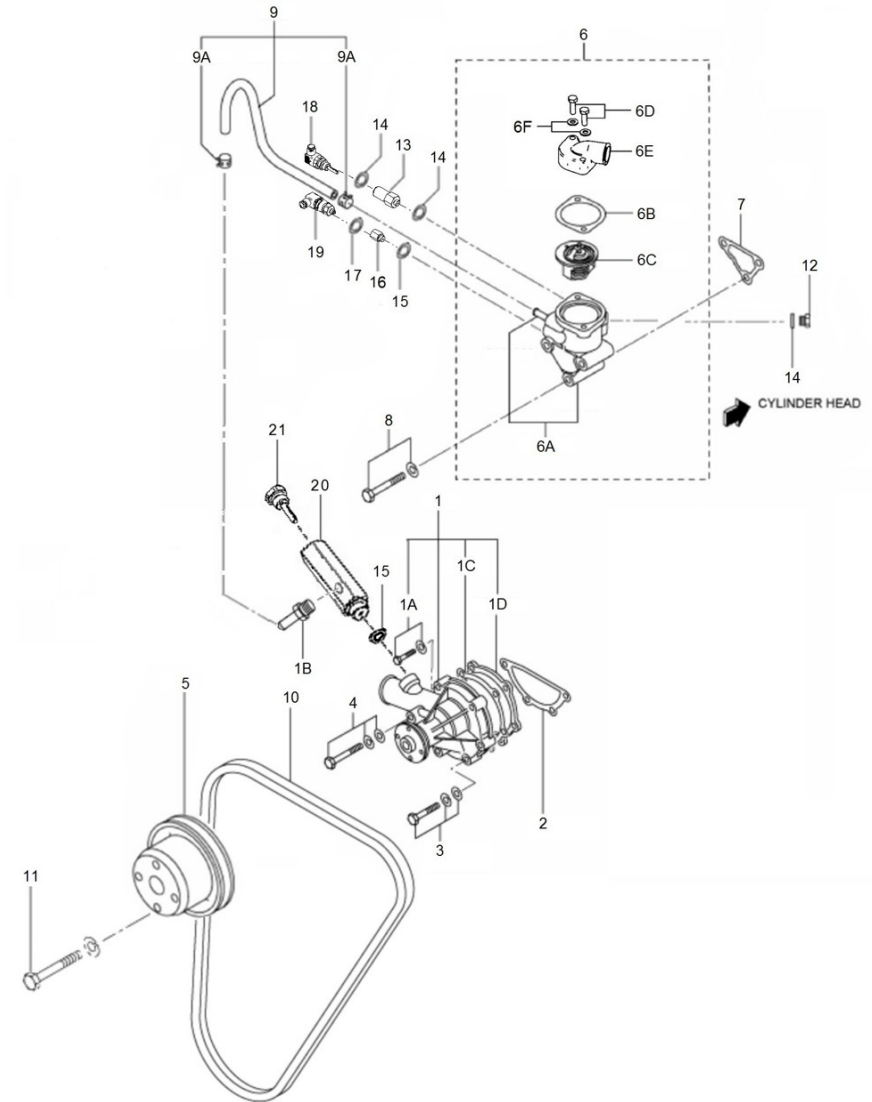
D_MI44GSTDN_03_1 Water Pump

Fig.	Ref.	Qty.	Descr.	Obs	From	UpTo
1	17221020	1	Fresh Water Pump			
1A	17321021	2	Bolt			
1B	13221026	1	NIPPLE Hose			
1C	13221041	1	Gasket Water Pump			
1D	13221042	1	Plate Water Pump			
2	13221022	1	Gasket Water Pump			
3	52101262	3	Bolt DIN 931 M8-45 8.8			
4	17201265	1	Bolt			
5	17221021	1	Pulley,Water Pump			
6	(*)	1	Not available			
6A	17221037	1	Assy Thermostat			
6B	17221031	1	Gasket,Thermostat			
6C	17221040	1	Thermostat			
6D	52101260	2	Bolt DIN 931 M8-35 8.8			
6E	17211020	2	Fitting, Water Outlet			
6F	53038008	2	Washer DIN 6798-A 8			
7	17221033	1	Gasket, Thermostat Case			
8	17420062G.1	3	Bolt,W/Washer (Generator)			
9	17221025	1	Hose Assy			
9A	17824029	2	Clip,Hose			
10A	17221060G	1	V-Belt			
Figure A for 12V System						
10B	17021028	1	Belt Type SPZX 987			
Figure b for 24V System						
11	17302155	4	Bolt			
12	17121016	1	Plug, drain			
13	17317035	1	Conversion Adapter G1/2 A 5/8 UNF			
14	56000083	3	Washer 21-26-1,5			
15	56000077	2	Washer 18-23-1,5			
16	17A17030	1	Conversion Adapter G1/4 a 5/8"SAE			
17	56000020	1	Washer 14,3-22-1			



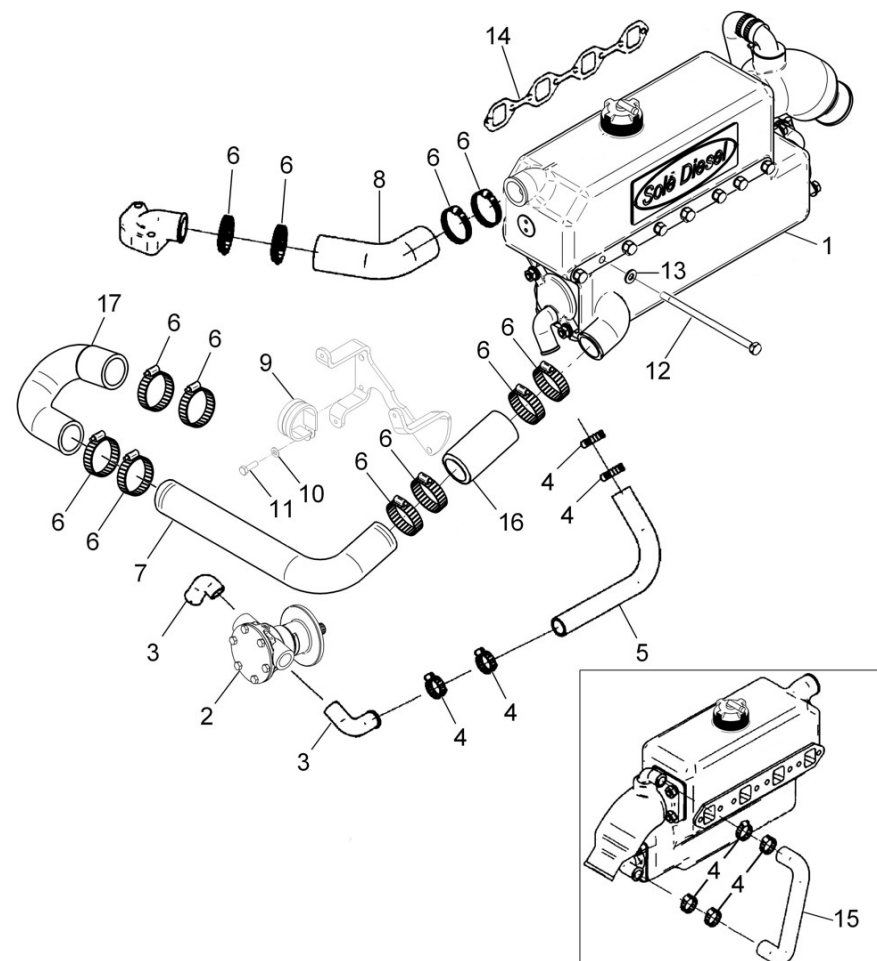
D_MI44GSTDN_03_1 Water Pump

Fig.	Ref.	Qty.	Descr.	Obs	From	UpTo
18	60994075	1	Temperature Sensor			
19	60994076	1	Marine Approved Pressure Transmitters			
20	17317032	1	Conversion Adapter G3/8 BSP			
21	6097A075	1	Thermostat DNV 95° Trafag			
21A	60900956	1	10k ohm Resistor			



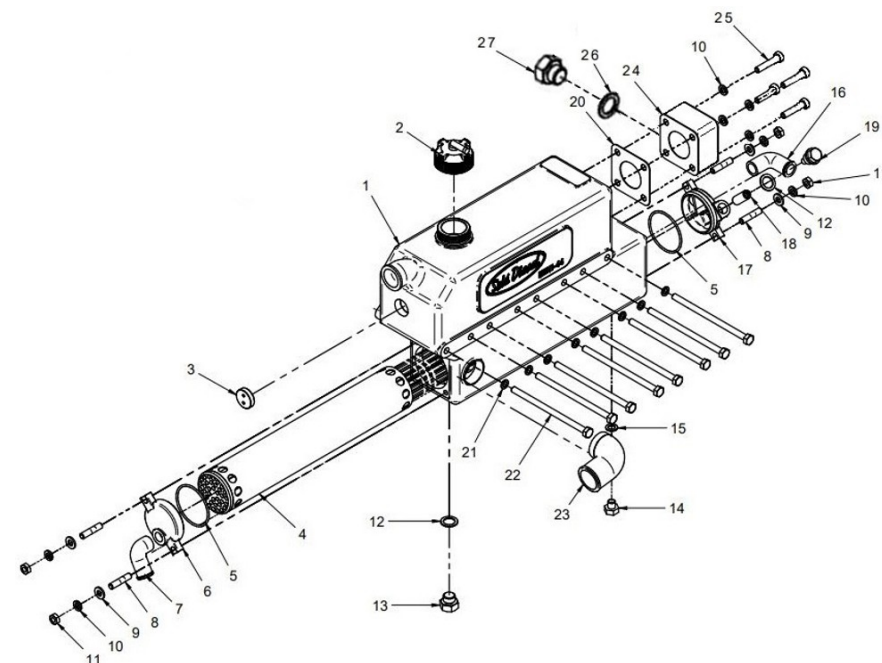
D_MI44GSTDN_03_2 Cooler Pipes

Fig.	Ref.	Qty.	Descr.	Obs	From	UpTo
1	17311002R	1	Water Cooler Assy MINI-44 (Spare Part)			
2	37611000	1	Splined Pump 1/2" MINI-11/17/29/33/44			
3	13811027	2	Elbow 1/2"			
4	54081016	8	Clamp DIN 3017 16-27/9 W4			
5	17011012	1	Elbow			
6	54082032	12	Clamp DIN 3017 32-50/12 W4			
7	17011022	1	Pipe,from cooler to engine			
8	17211021	1	Elbow			
9	51071373	1	Clamp 31-40/15 W1			
10	51030006	1	Washer DIN 125-6			
11	52102157	1	Bolt DIN 933 M6-20 8.8			
12	54101323	8	Bolt DIN 931 M8-140 Inox.			
13	56000057	8	Washer 8-13-1,5			
14	17321035	1	Gasket			
15	17211034	1	Rubber WET Exhaust Inlet BEND			
16	15211053	1	Pipe 38-50-100			
17	19411034	1	Pipe, Rubber			



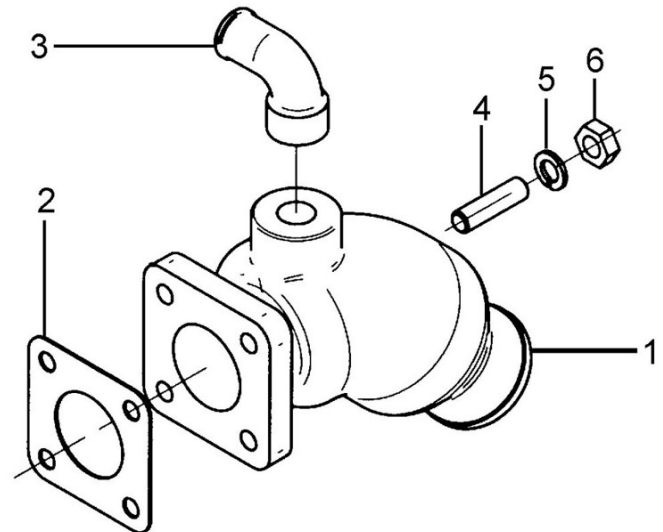
D_MI44GSTDN_03_3 Water Cooler Assy MINI-44 TAC

Fig.	Ref.	Qty.	Descr.	Obs	From	UpTo
1	17311003	1	Body, Water Cooler			
2	13811010	1	Cap			
3	12113092	1	Plug			
4	17011004	1	Tubular Bundle			
5	13811007	2	O-Ring D. 57X2,5			
6	13811002	1	Water Cooler Cover			
7	13211027	1	Water Inlet Bend			
8	13311006	8	Stud,cover			
9	51030008	4	Washer DIN 125-8			
10	53033008	8	Washer GROWER DIN 127-8			
11	54120008	8	Nut DIN 934 M8			
12	56000073	2	Copper Washer 16-23-1,5			
13	12111076	1	Plug			
14	54102306	1	Bolt DIN 933 M10-16 INOX.			
15	56000061	1	Washer 10-16-1,5			
16	13211035	1	Exhaust Manifold Outlet Bend			
17	17211042	1	Water Cooler Cover			
18	13811043	1	Engine Anode 29.5 mm M.8			
19	18011009	1	Anode Plug			
20	15113043	1	Exhaust Elbow Gasket			
21	56000057	8	Washer 8-13-1,5			
22	54101323	8	Bolt DIN 931 M8-140 Inox.			
23	17111011	1	Elbow 1 1/8"			
24	17317033	1	Sensor Spacer			
25	52103260	4	Bolt DIN 912 M8-35 8.8			
26	56000077	1	Washer 18-23-1,5			
27	19411027	1	Plug			
NS	17311040	1	MINI-44 Cooling Adhesive			



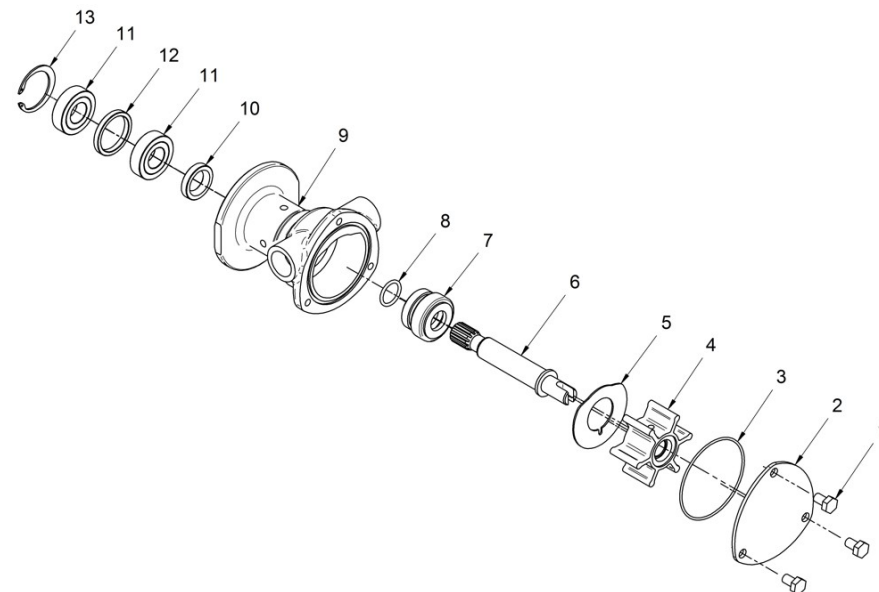
D_GC01_3_5 **Wet Exhaust**

Fig.	Ref.	Qty.	Descr.	Obs	From	UpTo
1	17013015G	1	Elbow,WET Exhaust			
2	15113043	1	Exhaust Elbow Gasket			
3	17211028	1	Water Bend			
4	13311006	4	Stud,cover			
5	53033008	4	Washer GROWER DIN 127-8			
6	52120008	4	Nut DIN 934 M8 8.8			



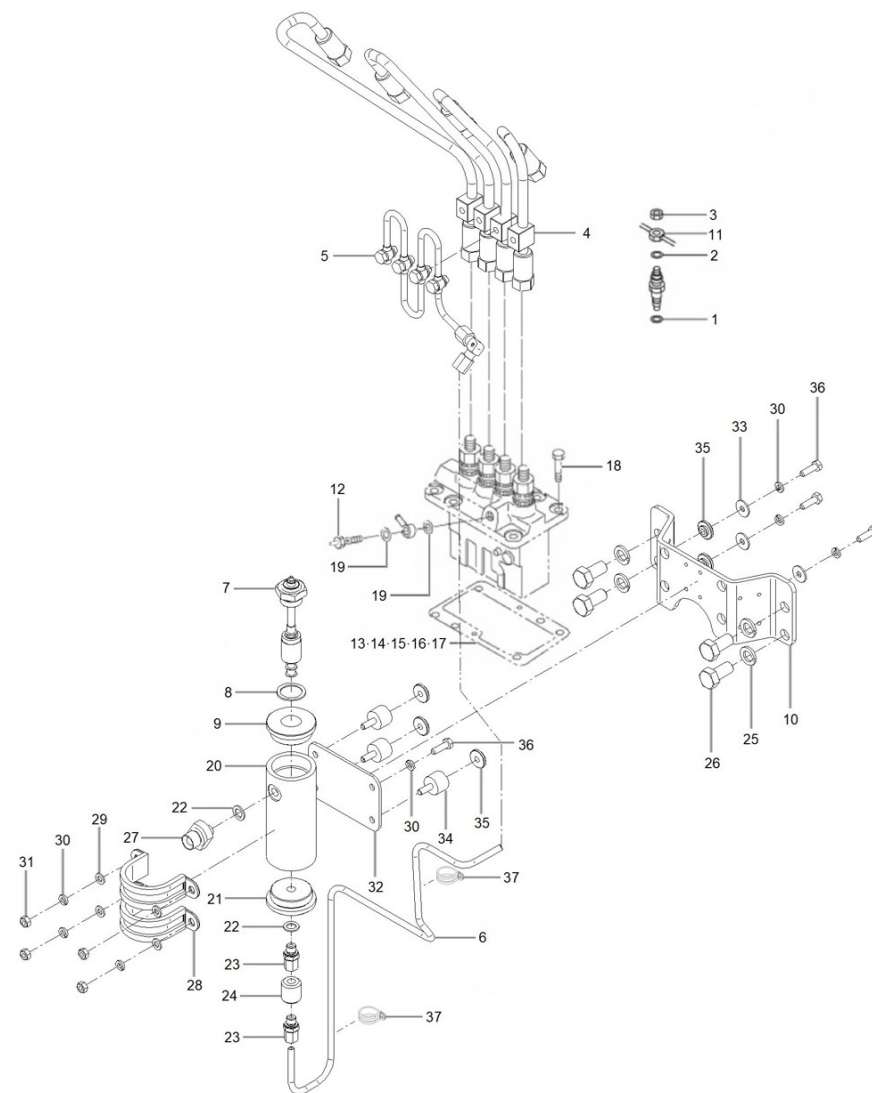
37611000 Splined Pump 1/2" MINI-11/17/29/33/44

Fig.	Ref.	Qty.	Descr.	Obs	From	UpTo
1	54102154	3	Bolt DIN 933 M6-10 INOX			
2	37611002	1	Cover Pump			
3	37611003	1	O-Ring D. 57x1,5			01/06/2022
4	31211008	1	1/2" Impeller			
5	37611026	1	Plate, Friction			
6	33811010	1	Shaft,Water Pump			
7	33411019	1	Seal			
8	33311013	1	O-Ring D. 15X2			
9	37611001	1	Body, Water Pump 1/2"			
10	33411020	1	Seal			
11	33411014	2	Ball Bearing 6002-C3			
12	33811015	1	Spacer			
13	53041032	1	CIRClip DIN 472 I-32			



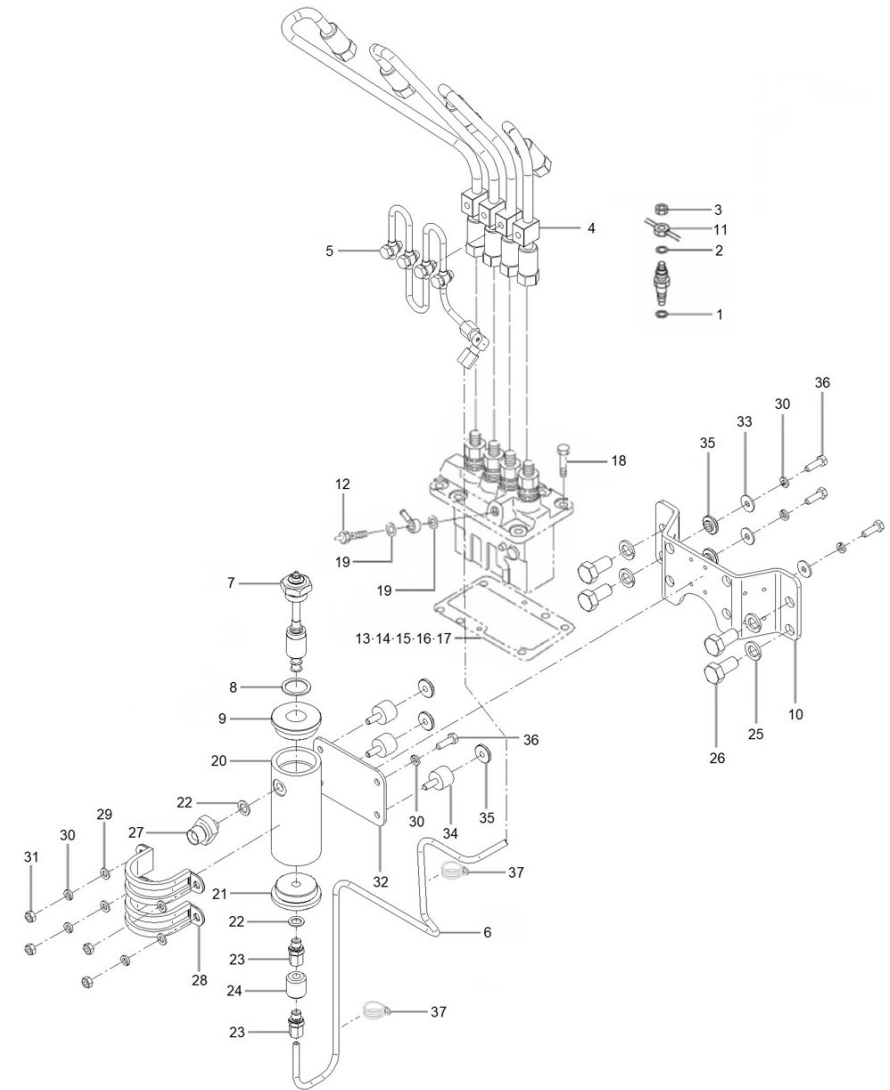
D_MI44GSTDN_04_1 Fuel Pipe And Fuel Leak Alarm

Fig.	Ref.	Qty.	Descr.	Obs	From	UpTo
1	13824013	4	Injector Washer			
2	17424025G.1	4	Gasket Fuel Return (Genset)			
3	13824024	4	Nut			
4	17324010R	1	Double Wall Pipe Kits			
5	17314019	1	Assy,Fuel Return			
6	17314034	1	Assy,Fuel Return			
7A	17517009.1	1	Fuel Leak Switch 12V			
			Figure A for 12V System			
7B	17517017.1	1	Fuel Leak Switch 24V			
			Figure b for 24V System			
8	56000086	1	Washer 22,3-29-1,5			
9	17517009.3	1	Cover, Upper			
10	17317010	1	Fuel Leak Alarm Bracket,Earth Isolated			
11	17324002G	1	Pipe, Fuel Leak OFF (Generator)			
12	17314036	1	Coupling,cover filter			
13	13224008	1	Shim Adjusting T=0,7mm			
14	13224009	1	Shim Adjusting T=0,8mm			
15	13224010	1	Shim Adjusting T=0,9mm			
16	13224011	1	Shim Adjusting T=1,0mm			
17	13224003	1	Shim Adjusting T=0,2mm			
18	52102257	6	Bolt DIN 933 M8-20 8.8			
19	13224001	2	Washer			
20	17517009.2	1	Tube			
21	17517009.4	1	Lower cover			
22	56000061	2	Washer 10-16-1,5			
23	19414028	2	P-GEV 6LR 1/8			
24	17A14029	1	1/8-28 To M10 Threat Adaptator			
25	53033012	4	Washer Grower DIN 127-12			
26	52102358	4	Bolt DIN 933 M12-25 8.8			
27	17B14032	1	Fitting 1/8 - 3/8 Nylon			
28	59072482	2	Clamp 2 48/20 W1			



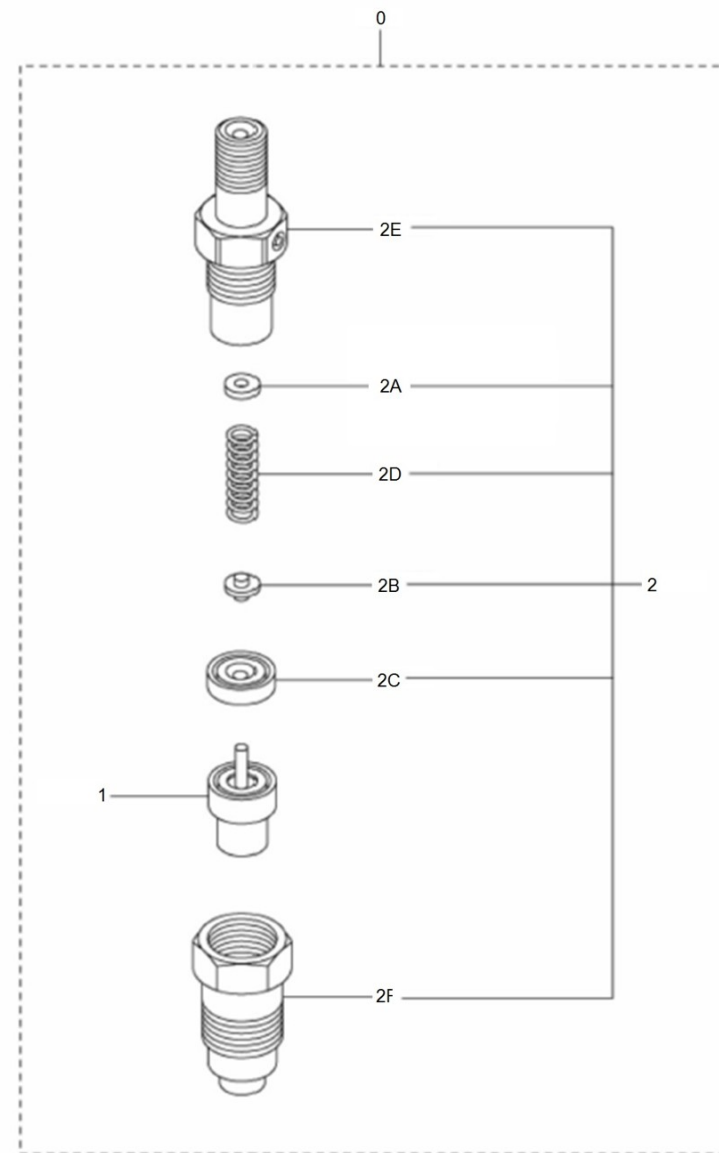
D_MI44GSTDN_04_1 Fuel Pipe And Fuel Leak Alarm

Fig.	Ref.	Qty.	Descr.	Obs	From	UpTo
29	51030006	4	Washer DIN 125-6			
30	53033006	7	Washer GROWER DIN 127-6			
31	52120006	4	Nut DIN 934 M6 8.8			
32	17517009.6	1	Alarm Bracket			
33	51031006	3	Washer DIN 9021 6			
34	17414009	3	Anti Vibration Mount			
35	17A17011	6	Bakelite Bushing			
36	52102157	4	Bolt DIN 933 M6-20 8.8			
37	59071064	2	Clamp RSGU 1 06/15 W1			
NS	19424101	1	Spray stop kit			



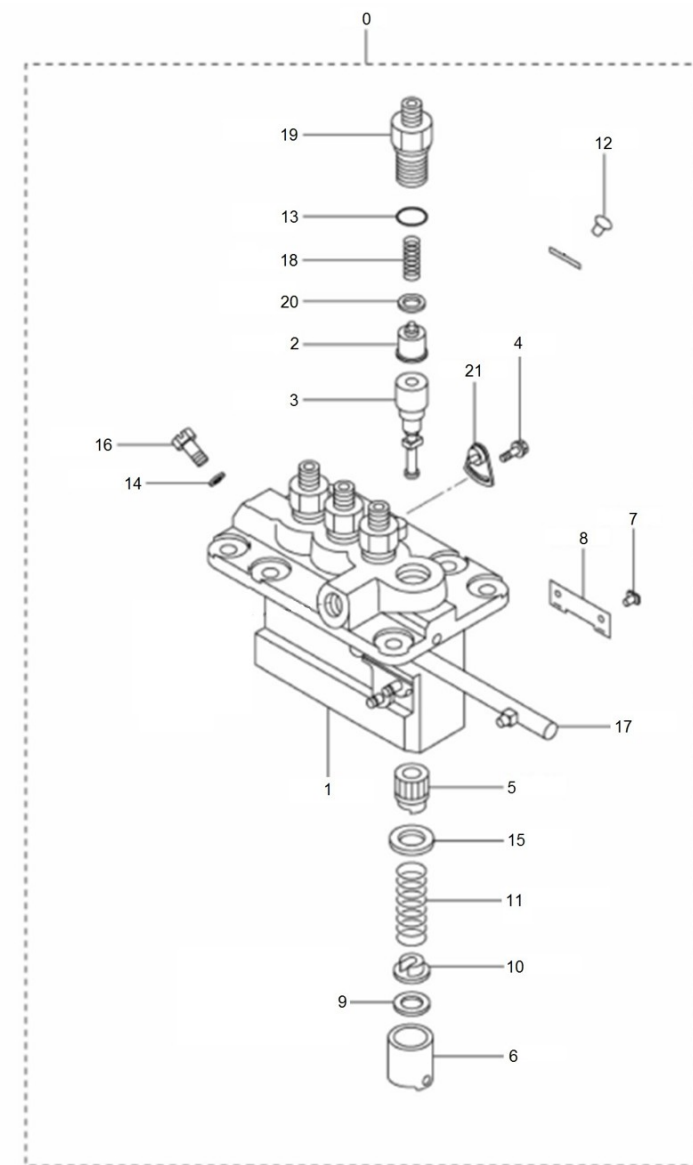
D_GD01_4_2 Injection Nozzle

Fig.	Ref.	Qty.	Descr.	Obs	From	UpTo
0	13826001	4	Nozzle & Holder A			
1	13826018	4	Nozzle Assy			
2	17426003	4	Fuel Injector			
2AA	13826010	4	Washer 1,25			
2AB	13826011	4	Washer 1,30			
2AC	13826012	4	Washer 1,35			
2AD	13826013	4	Washer 1,40			
2AE	13826014	4	Washer 1,45			
2AF	13826015	4	Washer 1,50			
2AG	13826016	4	Washer 1,55			
2AH	13826017	4	Washer 1,60			
2AI	13826019	4	Washer 1,65			
2AJ	13826020	4	Washer 1,70			
2B	13826003	4	Pin Pressure			
2C	13826007	4	PIECE DISTANCE			
2D	17226004	4	Spring, Pressure			
2E	13826002	4	Body Assy			
2F	17226009	4	Nut			



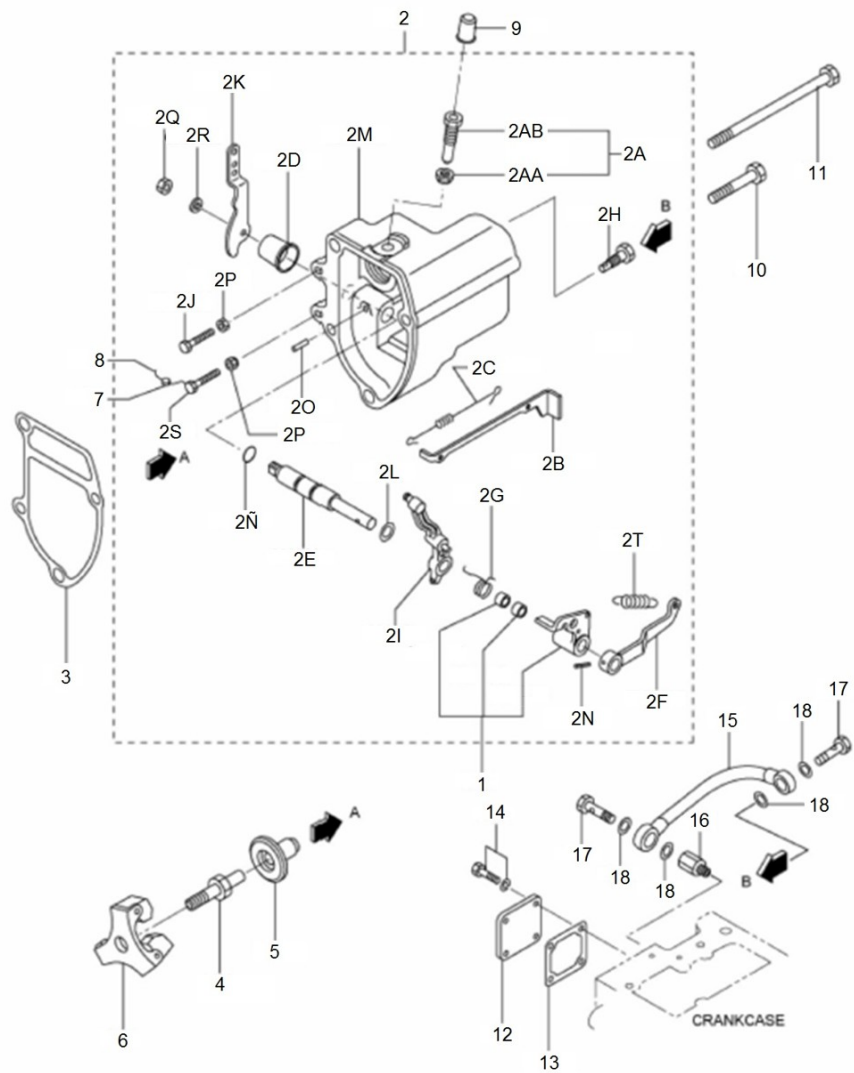
D_MI44GSTDN_04_3 Fuel Injection Pump

Fig.	Ref.	Qty.	Descr.	Obs	From	UpTo
0	17325001G	1	Pump Assy, Fuel INJEC.(Generator)			
1	17325005G	1	Housing SUB Assy			
2	17225009G	4	Element SUB Assy (Generator)			
3	17325008G	4	Valve SUB Assy (Generator)			
4	17225028	3	Bolt, With Washer			
5	13125010	4	SLEEVE			
6	13125021	4	Tappet SUB Assy			
7	13125022	4	Pin Tappet Guide			
8	13125023	2	Plate			
9A	13125014	4	Shim T=0,60			
9B	13125015	4	Shim T=0,2			
9C	13125016	4	Shim Adjusting T=0,3			
9D	17325016	4	Shim Adjusting T=0,40MM			
9E	17325017	4	Shim Adjusting T=0,50MM			
9F	17325018	4	Shim Adjusting T=0,25MM			
9G	17325019	4	Shim Adjusting T=0,35MM			
9H	13725021	4	Shim Adjusting T=0,45MM.			
9I	13725022	4	Shim Adjusting T=0,55MM.			
9J	13725023	4	Shim Adjusting T=0,65MM.			
10	13125013	4	Seat Spring LOWER			
11	13125012	4	Spring Plunger			
12	13125003	2	RIVET			
13	13125033	4	O-Ring D. 15X2,5			
14	17225025.3	1	Washer DRAIN Screw			
15	13125011	4	Seat Spring Upper			
16	17225026.3	1	Screw Air BLEEDER			
17	17025006	1	RACK Control			
18	17225002	4	Spring DELIVERY Valve			
19	13125004	4	Holder DELIVERY V			
20	13125007	4	Gasket DELIVERY V			
21	13125030	3	Plate Assy Pressure			



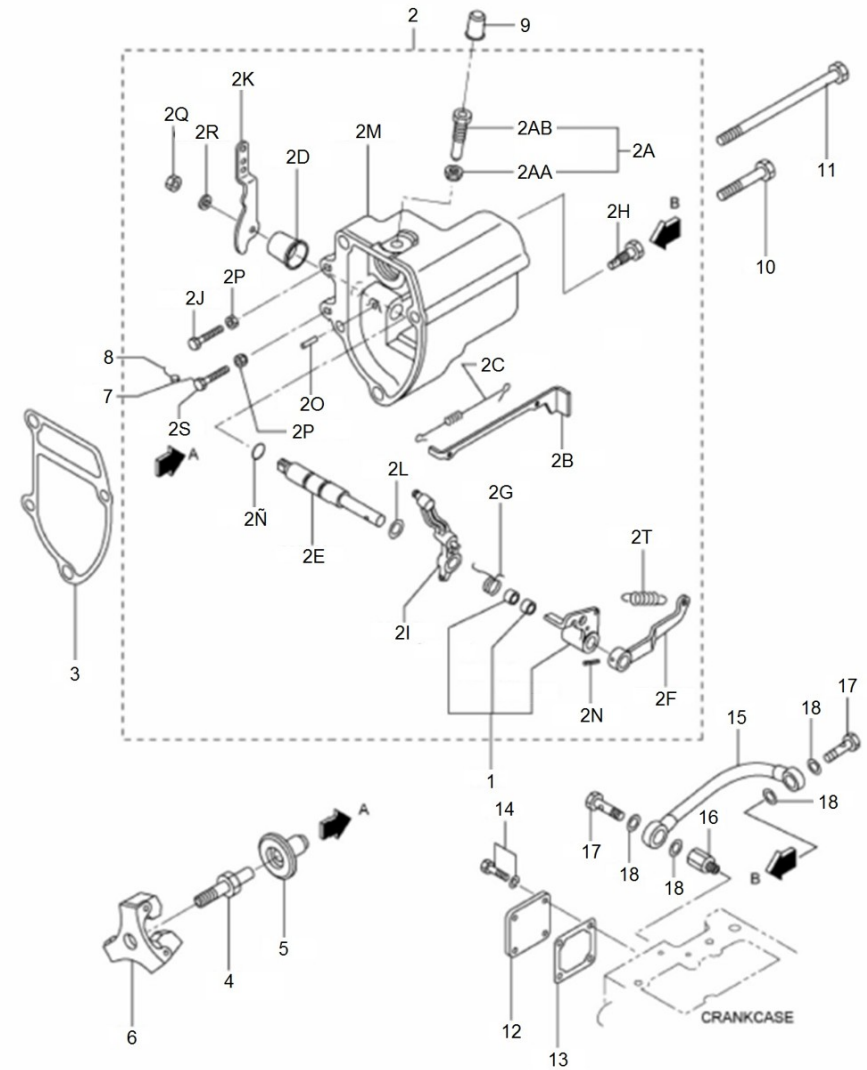
D_GD01_4_4 Governor Parts

Fig.	Ref.	Qty.	Descr.	Obs	From	UpTo
1	17223029	1	Lever Assy			
2	17323000G	1	CASSE Assy, GOverNOR (Generator)			
2A	(*)	1	Not available			
2AA	17223035	1	Nut			
2AB	13823034	1	RACK Set Screw (new)			
2B	17323048.4	1	Lever TIE-ROD			
2C	17323049	1	Spring TIE-ROD			
2D	17223036	1	Cover, Governor			
2E	17223006	1	Shaft, GOverNOR			
2F	17223003	1	Lever, Governor			
2G	17223028	1	Spring			
2H	17222020	1	Bolt			
2I	17223007G	1	Lever, GOverNOR (Generator)			
2J	17223025	1	Bolt Low Idle Set			
2K	17323008	1	Lever, SPEED Control			
2L	17323047.4	1	Shim, Governor Shaft			
2M	17323019	1	Case, Governor			
2N	17223009	1	Pin, Spring			
2Ñ	17223046	1	O-Ring D. 10X2,5			
2O	13123009	1	Pin GROOVED			
2P	17223032	2	Nut			
2Q	17223030	1	Nut			
2R	53033008	1	Washer GROWER DIN 127-8			
2S	17223017	1	Bolt			
2T	60530033	1	Spring,governor			
3	17223033	1	Gasket, Governor Case			
4	17223050	1	Shaft, SLIDING SLEEVE			
5	17223031G	1	SLEEVE, SLIDING (Generator)			
6	17223001G	1	WEIGHT Assy,GOverNOR (Generator)			
7	13123020	1	Shutter			
8	13123019	1	Metal Sealing			



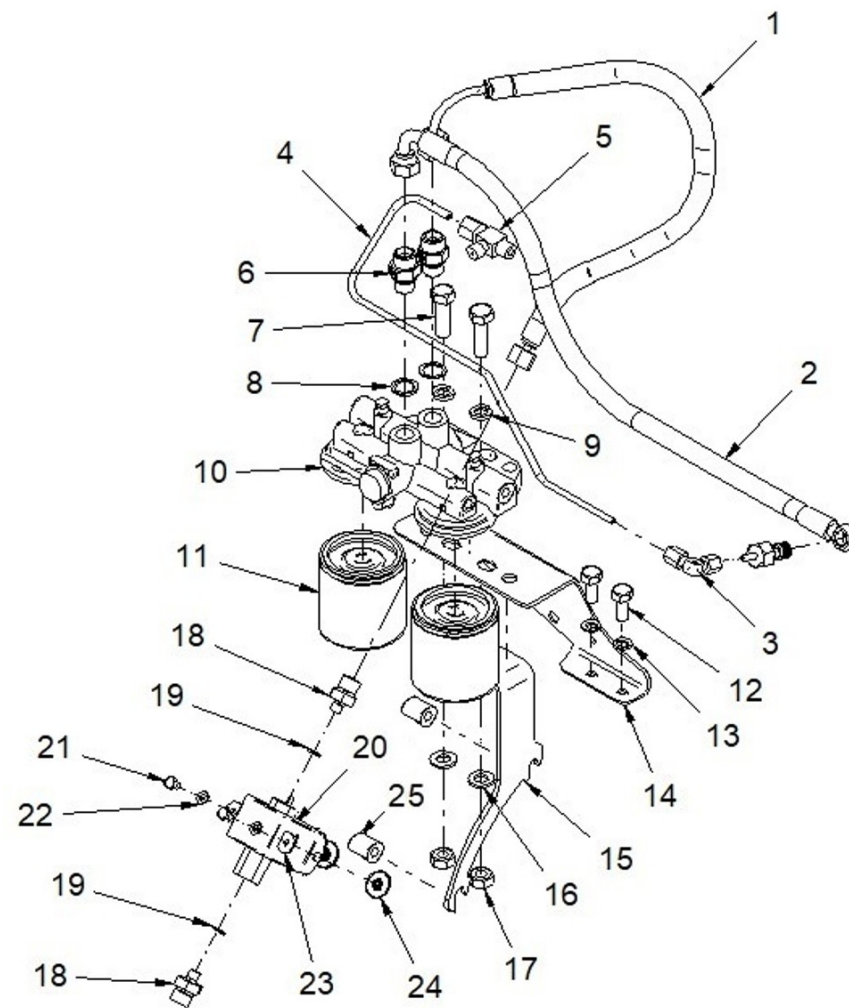
D_GD01_4_4 Governor Parts

Fig.	Ref.	Qty.	Descr.	Obs	From	UpTo
9	13823042	1	Cap TORQUE Set SE			
10	17220034	3	Bolt			
11	17723043	1	Bolt,GOverNOR Case			
12	17223043	1	Cover TIE-ROD			
13	13223014	1	Gasket Cover			
14	13802156	4	Bolt			
15	17224004G	1	Pipe,Oil			
16A	17322022	1	Adapter			
Figure A for Standard System						
16B	17322029	1	Adapter			
Figure b for Parallel System						
17A	17322020	2	VIS			
Figure A for Standard System						
17B	17322028	1	BOLT, EYE			
Figure b for Parallel System						
18	17322021	4	Gasket			



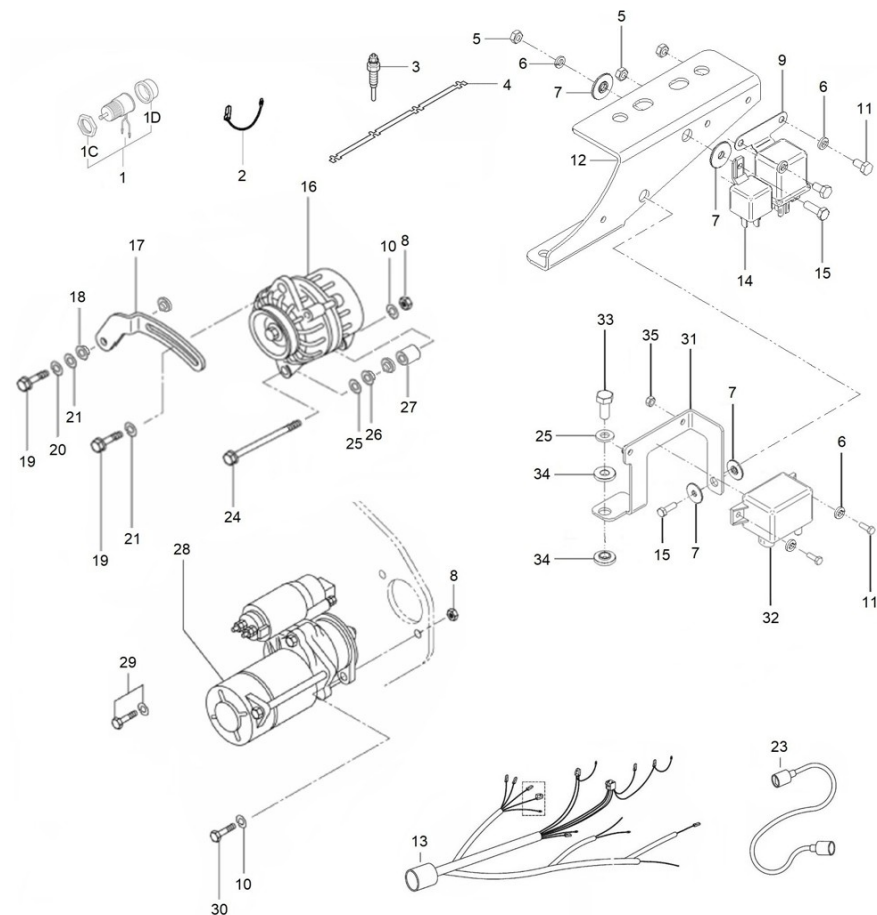
D_MI44GSTDN_04_5 Fuel Supply Parts

Fig.	Ref.	Qty.	Descr.	Obs	From	UpTo
1	17A14005	1	Fuel Hose DNV			
2	17314023	1	DNV Double Filter Fuel Hose			
3	17A14026	1	P-WV 6L Male Stud Equal Elbow Fitting			
4	17314035	1	Fuel Return Pipe			
5	17A14035	1	P-WV 6L4L6L Male Stud Equal Elbow Fitting			
6	19414039	2	Racor Fitting Male M18x150-M20x150			
7	52102361	2	Bolt DIN 933 M12-40 8.8			
8	57000378	2	Washer 18-24-1,5			
9	53033012	2	Washer Grower DIN 127-12			
10	17414002	1	Bracket			
11	17314022	2	Fuel Filter Element Double Filtre MINI-33/44			
12	52102308	2	Bolt DIN 933 M10-25 8.8			
13	53033010	2	Washer GROWER DIN 127-10			
14	17314032	1	Bracket, gasoil Filter			
15	17314033	1	Bracket, gasoil Filter			
16	51030012	2	Washer DIN 125-12			
17	52120012	2	Nut DIN 934 M12 8.8			
18	19414032	2	FITTING 1/8 - 3/8			
19	57000361	2	Washer 10-14-1,5			
20A	13814070	1	Electric Fuel Feed Pump 12V			
20B	19014070	1	Pump 24V.			
21	52102154	2	Bolt DIN 933 M6-10 8.8			
22	51030006	2	Washer DIN 125-6			
23	17417014	2	Washer			
24	17417010	2	Bakelite Bushing			
25	19117014	2	Spacer 10,5X20X20			



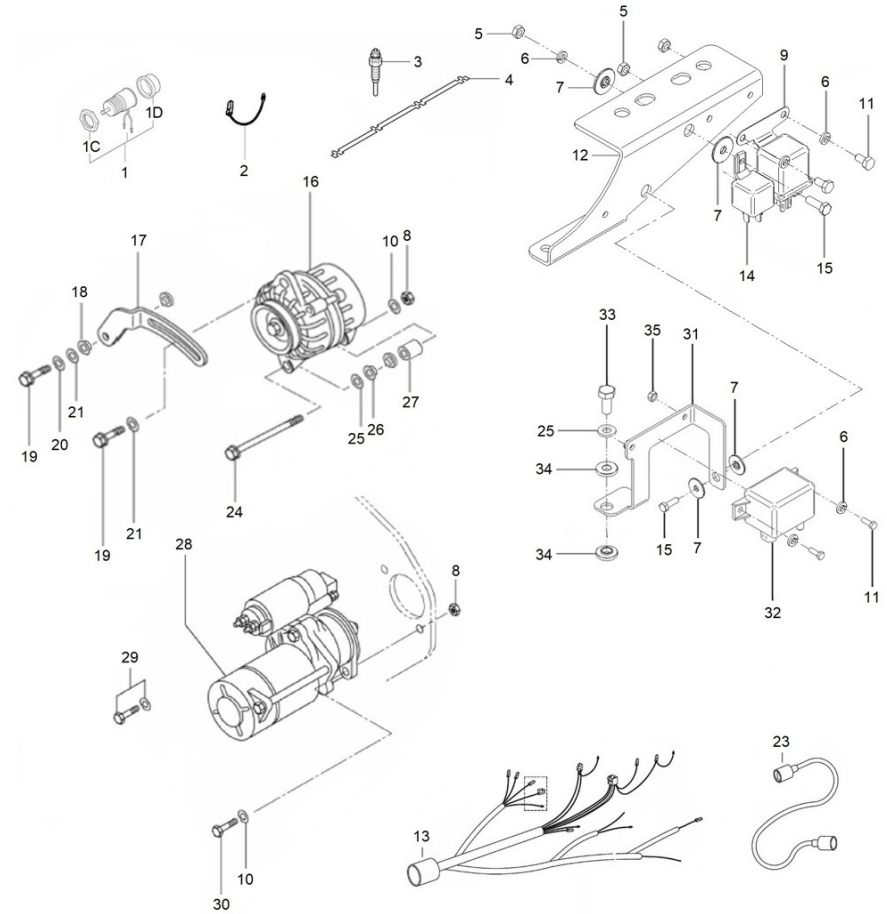
D_MI44GSTDN_05_1 Electrical System 12V

Fig.	Ref.	Qty.	Descr.	Obs	From	UpTo
1A	17224027	1	Solenoid			
Figure A for Standard System						
1B	60972524	1	GAC Actuator L2E,L3E,S3L,S3L2,S4L,S4L2			
Figure b for Parallel System						
1C	17225029.4	1	Nut			
1D	13824021G	1	Reloy Stop			
2	60934040	1	Wirine			
3	17327018	1	Plate, Connection			
4	17127017	4	Plug, glow			
5	52120006	3	Nut DIN 934 M6 8.8			
6	53033006	5	Washer GROWER DIN 127-6			
7	17417010	4	Bakelite Bushing			
8	52120010	2	Nut DIN 934 M10 8.8			
9	13827005	1	Glow Relay			
10	53033010	2	Washer GROWER DIN 127-10			
11	52102155	4	Bolt DIN 933 M6-12 8.8			
12	17314032	1	Bracket, gasoil Filter			
13	60973900	1	Elect. Inst. G. MINI-44 TAC			
14	18217005	1	Relay 12V 12-100			
15	52102157	2	Bolt DIN 933 M6-20 8.8			
16	17227010	1	Alternator 12V/50A			
17	17227007	1	Plate			
18	17217012	2	Tensor Bakelite Bushing			
19	13827012	1	Bolt			
20	53033008	1	Washer GROWER DIN 127-8			
21	51031008	2	Washer DIN 9021 8			
23A	6097A216	1	Wiring Extension Genset TAC 6 M.			
23B	6097A218	1	Wiring Extension TAC Genset 12 M. CPC 37 V.			
24	52101324	1	Bolt DIN 931 M10-110 8.8			
25	51030010	2	Washer DIN 125-10			
26	17217011	2	Bracket Bakelite Bushing			



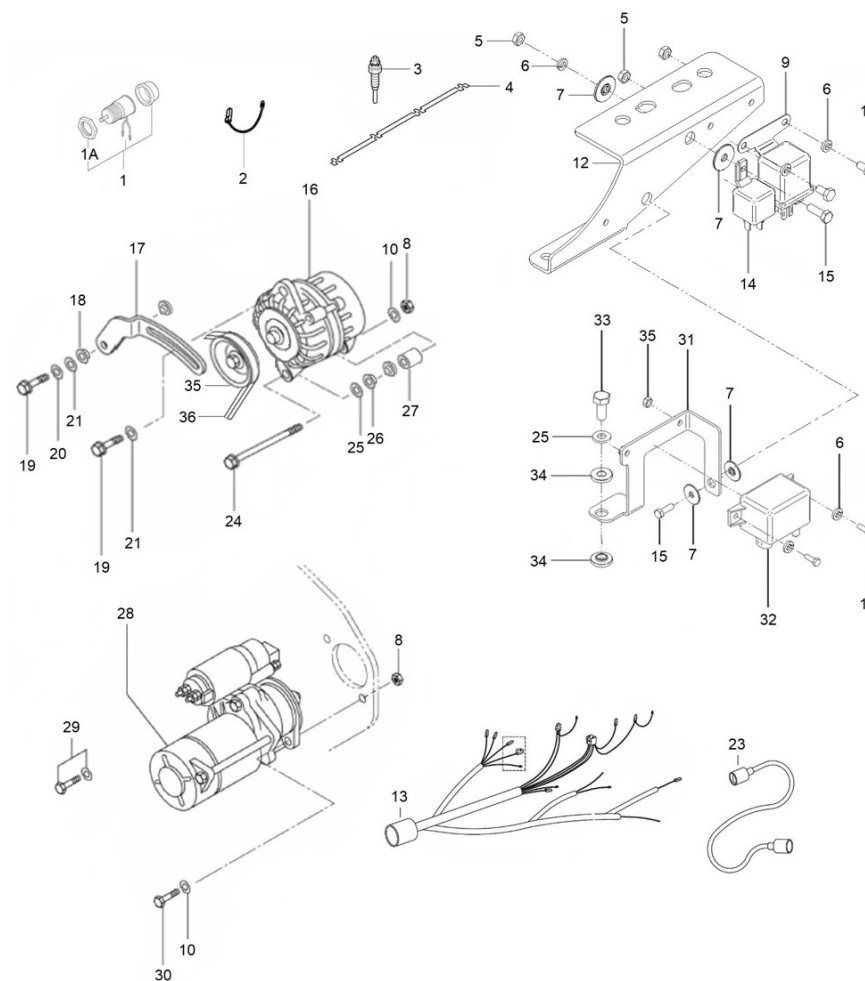
D_MI44GSTDN_05_1 Electrical System 12V

Fig.	Ref.	Qty.	Descr.	Obs	From	UpTo
27	17217018	1	Spacer 10,5x25x25			
28	17327001	1	Starter Assy 12 V			
29	17327129.2	1	Bolt			
30	17327130.2	1	Bolt, Starter			
31	17310046	1	Relay Bracket			
32	19017113	1	Relay 12V Earth Isolated Nagares			
33	52102308	1	Bolt DIN 933 M10-25 8.8			
34	17117024	2	Bracket Bakelite Bushing			
35	51123005	2	Nut DIN 985 M5 5.6			



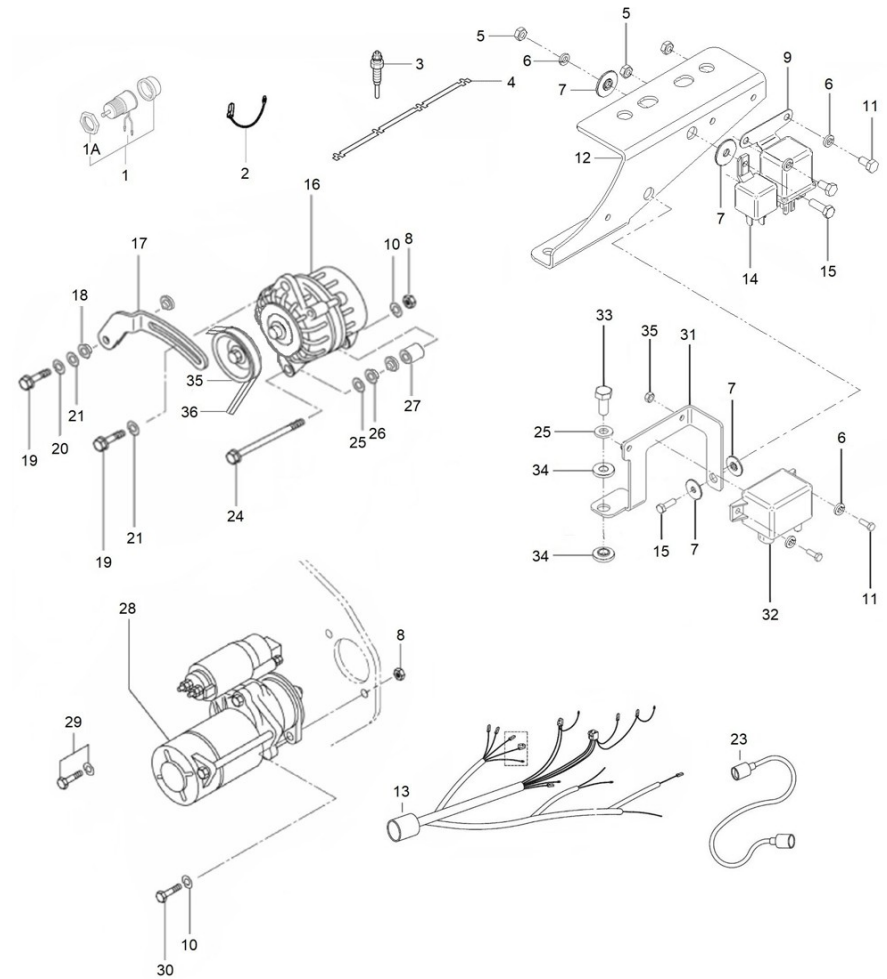
D_MI44GSTDN_05_2 Electrical System 24V

Fig.	Ref.	Qty.	Descr.	Obs	From	UpTo
1	13824025.2G	1	Stop SOLENOID 24V-ETR			
1A	17225029.4	1	Nut			
2	60934040	1	Wirine			
3	17327018	1	Plate, Connection			
4	17227017.2	4	Glow Plug 24V			
5	52120006	3	Nut DIN 934 M6 8.8			
6	53033006	5	Washer GROWER DIN 127-6			
7	17417010	2	Bakelite Bushing			
8	52120010	2	Nut DIN 934 M10 8.8			
9	17527006	1	Glow Relay 24V			
10	53033010	2	Washer GROWER DIN 127-10			
11	52102155	4	Bolt DIN 933 M6-12 8.8			
12	17314032	1	Bracket, gasoil Filter			
13	60973900	1	Elect. Inst. G. MINI-44 TAC			
14	17417005	1	Relay 24V 24-100			
15	52102157	1	Bolt DIN 933 M6-20 8.8			
16	17417024	1	Alternator 28V/55A			
17	17227007.1	1	Plate			
18	17217012	2	Tensor Bakelite Bushing			
19	13827012	1	Bolt			
20	53033008	1	Washer GROWER DIN 127-8			
21	51031008	2	Washer DIN 9021 8			
23A	6097A216	1	Wiring Extension Genset TAC 6 M.			
23B	6097A218	1	Wiring Extension TAC Genset 12 M. CPC 37 V.			
24	52101325	1	Bolt DIN 931 M10-120 8.8			
25	51030010	1	Washer DIN 125-10			
26	17217011	2	Bracket Bakelite Bushing			
27	17217020	1	Spacer 10,5X25X36			
28	17327001.2	1	Starter Assy 24V			
29	17327129.2	1	Bolt			
30	17327130.2	1	Bolt, Starter			



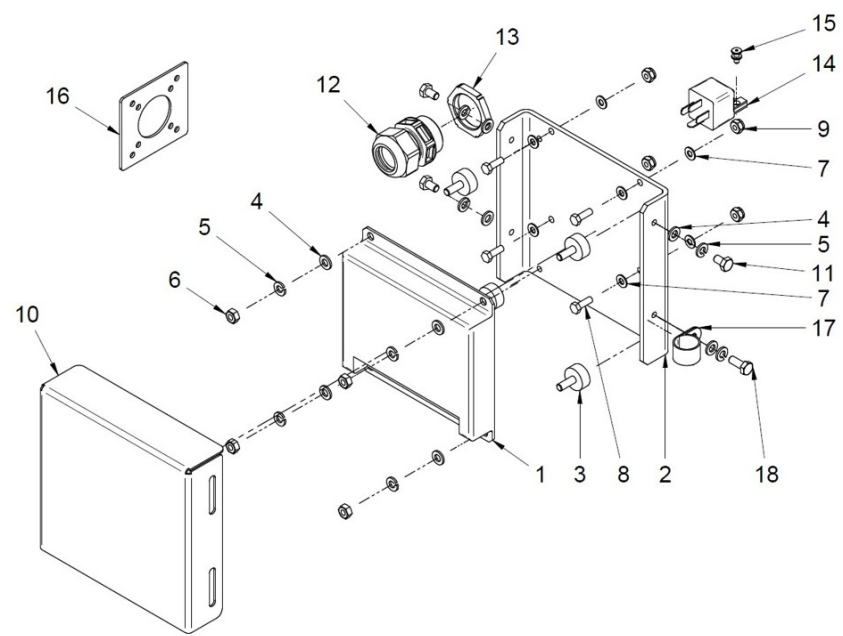
D_MI44GSTDN_05_2 Electrical System 24V

Fig.	Ref.	Qty.	Descr.	Obs	From	UpTo
31	17310046	1	Relay Bracket			
32	19017114	1	Relay 24V Earth Isolated Nagares			
33	52102308	1	Bolt DIN 933 M10-25 8.8			
34	17117024	2	Bracket Bakelite Bushing			
35	17617003	1	Pulley Alternator			
35	51123005	2	Nut DIN 985 M5 5.6			
36	17021028	1	Belt Type SPZX 987			
NS	58088285	1	Pastic Cable Zip Tie			
NS	60900126	1	TERMINAL			



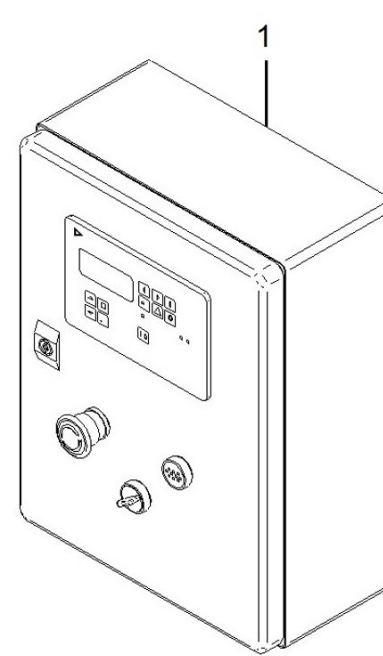
D_60971525 Parallel control system 12V

Fig.	Ref.	Qty.	Descr.	Obs	From	UpTo
1	60972525	1	Speed Control Unit G.A.C 5100 Low Inter.			
2	17317007	1	Electronic Unit Bracket			
3	17A14009	4	Anti Vibration Mount M6			
4	51030006	8	Washer DIN 125-6			
5	53033006	8	Washer GROWER DIN 127-6			
6	52120006	4	Nut DIN 934 M6 8.8			
7	51030005	8	Washer DIN 125-5			
8	52102106	4	Bolt DIN 933 M5-15 8.8			
9	51123005	4	Nut DIN 985 M5 5.6			
10	17317008	1	Parallel electronic unit cover			
11	52102154	3	Bolt DIN 933 M6-10 8.8			
12	60900310	1	Connector Press CAPTOR-2000 M32 RAL7001			
13	60900311	1	Screw Connector Press Captor-2000 M32			
14	63900028	1	Relay 12V 20/30A NO+NC			
15	51058054	1	Aluminium Rivet 4.0 X 10			
16	60573041.25G	1	Connector Adapter Parallel			
17	59071224	1	Clamp RSGU 1 22/15 W1			15/11/2023
17	59071324	1	Clamp RSGU 1 32/15 W1			15/11/2023
18	52102156	1	Bolt DIN 933 M6-16 8.8			
NS	58088284	1	Pastic Cable Zip Tie			
NS	60900088	2	TERMINAL Female SUPERSEAL			
NS	60900089	2	SUPERSEAL male terminal			
NS	60900322	1	2 female channel connector SUPERSEAL			
NS	60900323	1	2 male channel connector SUPERSEAL			
NS	60900330	4	SUPERSEAL yello rubber protection			
NS	60972517	1	Connector for actuator Packard type			
NS	60972519	2	Magnetic Speed Sensor			
NS	60974223DNV	1	Auxiliary Installation Parallel TAC Genset			



D_MI44GSTDN_05_4 Control and Power Cabinets

Fig.	Ref.	Qty.	Descr.	Obs	From	UpTo
1A	6097A215	1	Box CO 40 17/25/35/45/50/68 GT TAC 12V			
1B	6097A220	1	Box CO 40 17/25/35/45/50/68 GT TAC 24V			
2A	60973709	1	Parallel Kit 17 GT 400/230V TAC Control and Power 12			
2B	60973710	1	Parallel Kit 17 GT 230V TAC Control and Power 12V			
2C	60972766	1	Parallel Kit 20 GTA 480/277V Control and Power 12V			
2D	60972765	1	Parallel Kit 20 GTA 240V TAC Control and Power 12V			



D_1138T Genset Extension TAC

Fig.	Ref.	Qty.	Descr.	Obs	From	UpTo
1A	6097A216	1	Wiring Extension Genset TAC 6 M.			
1B	6097A218	1	Wiring Extension TAC Genset 12 M. CPC 37 V.			
1C	60974552	1	3-way Wiring Wxtension for Auxiliary Kits 4 m			
1D	60900165	1	3-way Wiring Extension for Auxiliary Kits 6 m			
1F	60900166	1	3-way Wiring Extension for Auxiliary Kits 12 m			
1G	60900167	1	3-way Wiring Extension for Auxiliary Kits 24 m			
1H	60972104	1	Double Panel SCO 12 M. Harness			
1I	60972105	1	Double Panel SCO 24 M. Harness			
1J	60972110	1	Double Panel SCO 36 M. Harness			
1K	60974227.12	1	AVR External Control Cable 12m.			
1L	60974228.12	1	ECU External Control Cable 12m.			
1M	60974227.24	1	AVR External Control Cable 24m.			
1N	60974228.24	1	ECU External Control Cable 24m.			



Genset 17 GT/GTC & 20 GTA/GTAC Type Approval Certificate **Genset Alternator Spare Parts**

D_MI44GTDN_06_1 Alternator 17 GT/GTC and 20 GTA/GTAC

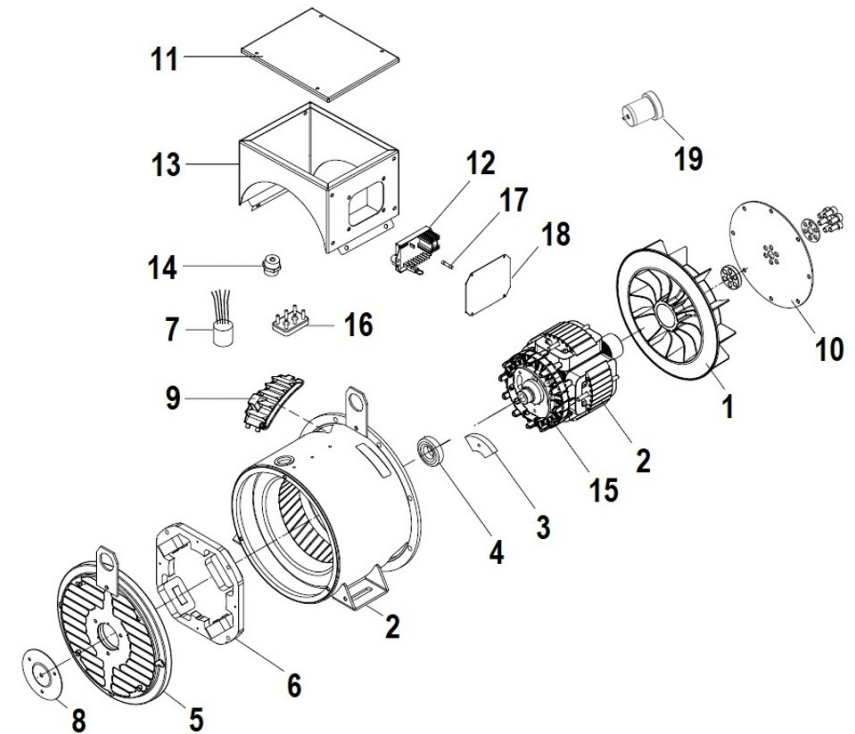
Fig.	Ref.	Qty.	Descr.	Obs	From	UpTo
1A	605113016Z0RS	1	Sincro Alternator III 16KVA 1500RPM 400/230V Certifi			
1B	605113016Z0RC	1	Sincro Alternator III 16KVA 1500RPM 400/230V Certifi			
1C	605113016Z1RS	1	Sincro Alternator III 16KVA 1500RPM 230V Certificate			
1D	605113016Z1RC	1	Sincro Alternator III 16KVA 1500RPM 230V Certificate			
1E	605123019Z0RS	1	Sincro Alternator III 19,5KVA 1800RPM 480/277V Certi			
1F	605123019Z0RC	1	Sincro Alternator III 19,5KVA 1800RPM 480/277V Certi			
1G	605123019Z1RS	1	Sincro Alternator III 19,5KVA 1800RPM 240V Certifica			
1H	605123019Z1RC	1	Sincro Alternator III 19,5KVA 1800RPM 240V Certifica			



Genset 17 GT/GTC & 20 GTA/GTAC Type Approval Certificate Genset Alternator Spare Parts

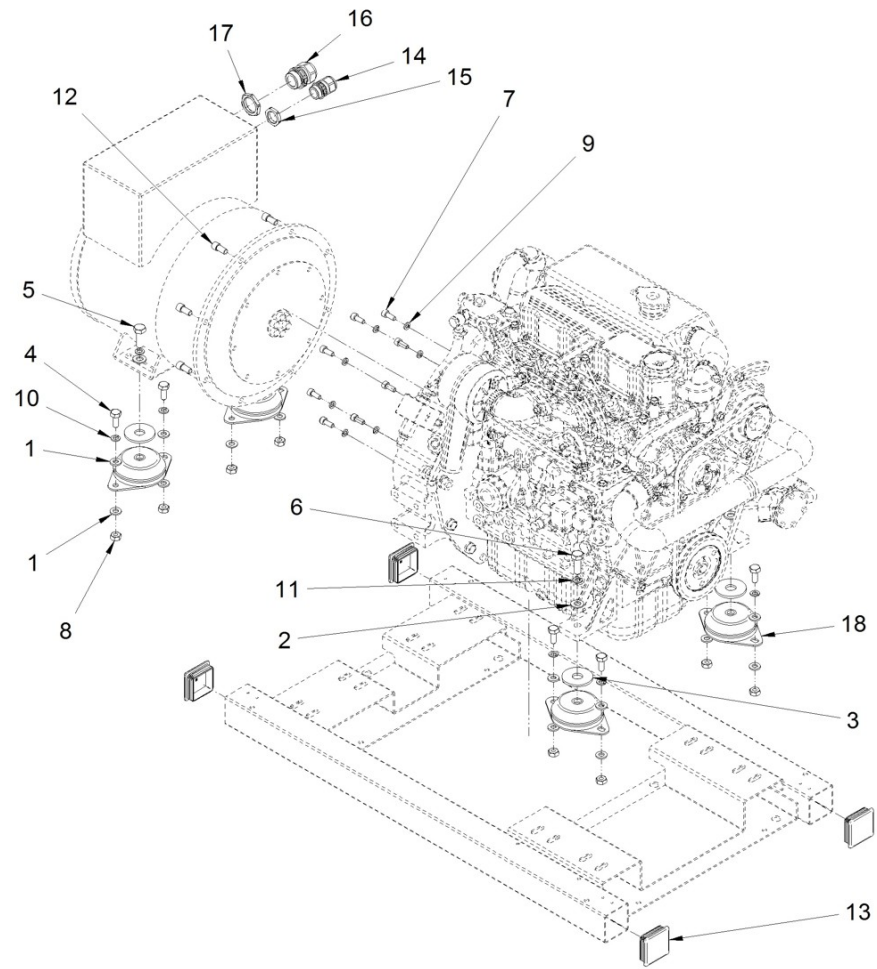
D_MI44GTDN_06_2 Alternator Spare Parts

Fig.	Ref.	Qty.	Descr.	Obs	From	UpTo
1	60511107S.1	1	Fan SK160S-, C-, M- 4P			
2	(*)	1	Not available			
3	60574340.10	1	Diode Bridge SK160-S/C/L/M			
4	60511325S.1	1	Bearing 6206 2RS/C3			
5	60511107S.13	1	Rear Shield			
6	60511325S.2	1	Exciter stator SK160C-, M-, L-			
7	60511317S.2	1	EMC filter SK160SM-			
8	60511325S.3	1	Rear shield cover			
9	60511336S.03	1	IP23 Grid			
10	60511325S.4	1	Kit disks 7,5"			
11	60511317S.3	1	Top cover SK160M-			
12	60511107S.35.1	1	Electronic Board AVR BL4 U			
13A	60511317S.4	1	Terminal box SK160M-			
13B	60511317S.5	1	Terminal box SK160M-			
14A	60511325S.5	1	M6 insulator clamp			
14B	60511336S.02	1	M8 Insulator Clamp			
15	60511325S.6	1	Exc. rotor SK160C-, M-, L- 4P			
16A	60511325S.7	1	M6 terminal board			
16B	60511336S.04	1	M8 Terminal Board			
17	60511336S.05	1	Fuse 5x20 3,15A F			
18	60511336S.06	1	Cover on Regulator Side			



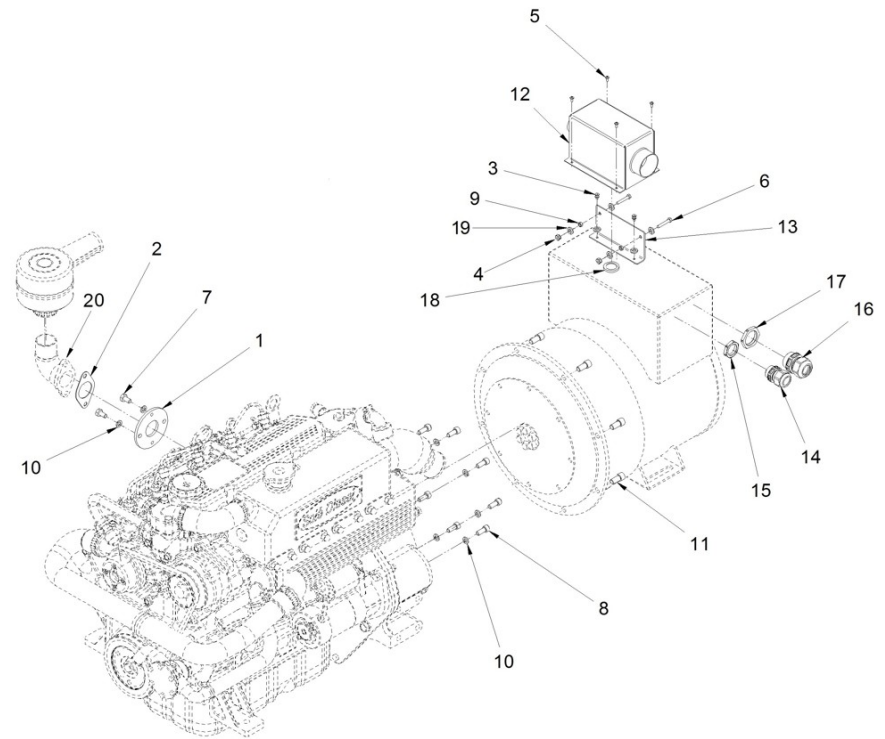
D_60573101S Alternator Kit Without Canopy

Fig.	Ref.	Qty.	Descr.	Obs	From	UpTo
1	51030010	16	Washer DIN 125-10			
2	51030012	4	Washer DIN 125-12			
3	51031014	4	Washer DIN 9021 14			
4	52102307	8	Bolt DIN 933 M10-20 8.8			
5	52102359	2	Bolt DIN 933 M12-30 8.8			
6	52102361	2	Bolt DIN 933 M12-40 8.8			
7	52103257	8	Bolt DIN 912 M8-20 8.8			
8	52120010	8	Nut DIN 934 M10 8.8			
9	53033008	8	Washer GROWER DIN 127-8			
10	53033010	8	Washer GROWER DIN 127-10			
11	53033012	4	Washer Grower DIN 127-12			
12	60539017	8	ALT. SINCR0 FASTENING Bolt			
13	60539019	4	LID (60 Tube)			
14	60900306	1	Connector Press CAPTOR-2000 M25 RAL7001			
15	60900309	1	Screw Connector Press Captor-2000 M25			
16	60900310	1	Connector Press CAPTOR-2000 M32 RAL7001			
17	60900311	1	Screw Connector Press Captor-2000 M32			
18	61673001	4	Engine Mount Type F 35 SHA M12 H 34			
NS	53104257	4	Bolt DIN 7984 M8-20 12.9			
NS	58088283	1	Pastic Cable Zip Tie			
NS	60900158	1	Terminal Tubular Sleeve (1.5)			
NS	TR.1.5.6	4	Ring Terminal 1.5 Sec.			



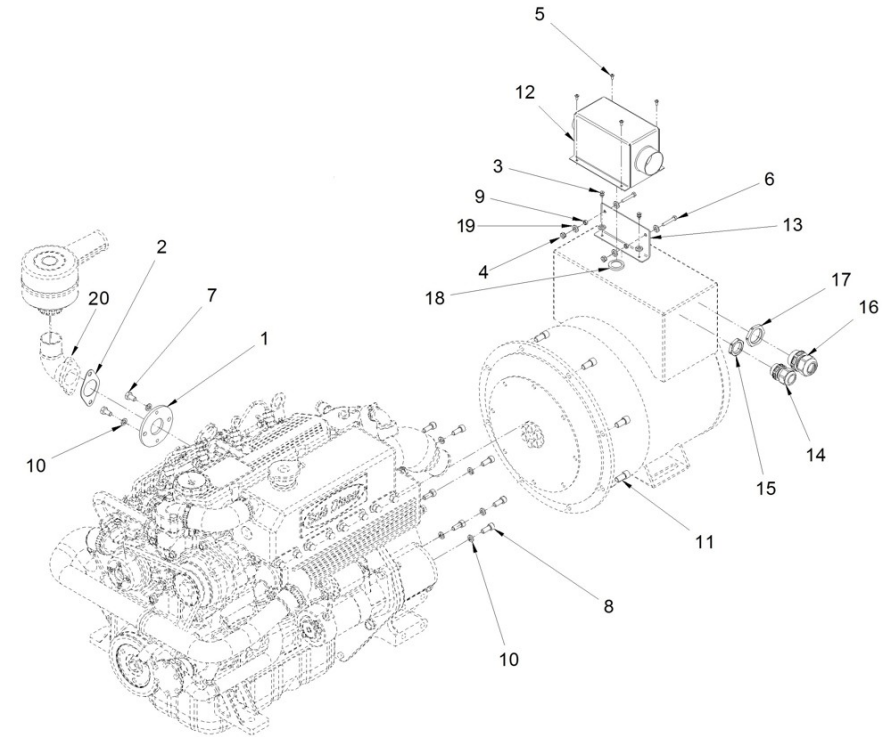
D_60573062 Alternator Kit With Canopy 400/230V And 480/277V

Fig.	Ref.	Qty.	Descr.	Obs	From	UpTo
1	17210029	1	Air Elbow Flange			
2	17221034	2	Gasket, Inlet Pipe			
3	52102104	2	Bolt DIN 933 M5-10 8.8			
4	51123005	4	Nut DIN 985 M5 5.6			
5	51918054	4	Bolt DIN 7981C 3,5-9,5			
6	52102110	2	Bolt DIN 933 M5-30 8.8 CINCADO			
7	52102256	2	Bolt DIN 933 M8-16 8.8			
8	52103257	8	Bolt DIN 912 M8-20 8.8			
9	52120005	2	Nut DIN 934 M5 8.8			
10	53033008	10	Washer GROWER DIN 127-8			
11	60539017	8	ALT. SINCRO FASTENING Bolt			
12	60573041.71	1	REGULATOR Bracket Box			
13	60573041.72	1	VOLT REGULATOR Bracket Box			
14	60900306	1	Connector Press CAPTOR-2000 M25 RAL7001			
15	60900309	1	Screw Connector Press Captor-2000 M25			
16	60900310	1	Connector Press CAPTOR-2000 M32 RAL7001			
17	60900311	1	Screw Connector Press Captor-2000 M32			
18	60900517	1	Cover,wiring			
19	51030005	8	Washer DIN 125-5			
NS	51058054	4	Aluminium Rivet 4.0 X 10			
NS	53104257	4	Bolt DIN 7984 M8-20 12.9			
NS	58088284	2	Pastic Cable Zip Tie			
NS	60511112S.81	2	16 mm Hexagon Plug			
NS	60900510	1	Emergency Stop PUSH BOTTOM			
NS	60900511	1	Stop PUSH BOTTOM Body			
NS	60971085	1	FOUR PoleS 25A DISConnector			
NS	60972072A	1	N BLUE Breaker TO ALT. SYStem			
NS	60972072G	1	W GRAY Breaker TO ALT. SYStem			
NS	60972072M	1	V BROWN Breaker TO ALT. SYStem			
NS	60972072N	1	U BLACK Breaker TO ALT. SYStem			
NS	TR.1.5.6	4	Ring Terminal 1.5 Sec.			



D_60573063 Alternator Kit With Canopy 230V And 240V

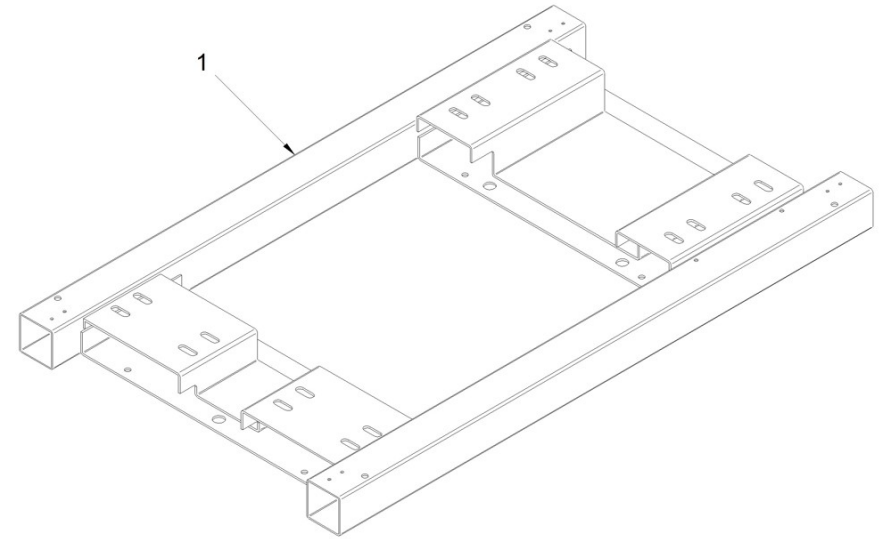
Fig.	Ref.	Qty.	Descr.	Obs	From	UpTo
1	17310017	1	Air Elbow Flange			
2	17221034	1	Gasket, Inlet Pipe			
3	52102104	2	Bolt DIN 933 M5-10 8.8			
4	51123005	4	Nut DIN 985 M5 5.6			
5	51918054	4	Bolt DIN 7981C 3,5-9,5			
6	52102110	2	Bolt DIN 933 M5-30 8.8 CINCADO			
7	52102256	2	Bolt DIN 933 M8-16 8.8			
8	52103257	8	Bolt DIN 912 M8-20 8.8			
9	52120005	2	Nut DIN 934 M5 8.8			
10	53033008	8	Washer GROWER DIN 127-8			
11	60539017	8	ALT. SINCRO FASTENING Bolt			
12	60573041.71	1	REGULATOR Bracket Box			
13	60573041.72	1	VOLT REGULATOR Bracket Box			
14	60900306	1	Connector Press CAPTOR-2000 M25 RAL7001			
15	60900309	1	Screw Connector Press Captor-2000 M25			
16	60900304	1	Coneector Press PA Grey IP68 M16			
17	60900307	1	Screw Connector Press PA Grey IP68 M16			
18	60900517	1	Cover,wiring			
19	51030005	8	Washer DIN 125-5			
20	17210020	1	Bend			
NS	52105258	2	Bolt DIN 7991 M8-25 10.9	☒		
NS	52120008	2	Nut DIN 934 M8 8.8	☒		
NS	53038008	2	Washer DIN 6798-A 8	☒		
NS	53104257	4	Bolt DIN 7984 M8-20 12.9	☒		
NS	60571034	1	Genset MAGNETO Support	☒		
NS	60900510	1	Emergency Stop PUSH BOTTOM	☒		
NS	60900511	1	Stop PUSH BOTTOM Body	☒		
NS	60972072G	1	W GRAY Breaker TO ALT. SYStem	☒		
NS	60972072M	1	V BROWN Breaker TO ALT. SYStem	☒		
NS	60972072N	1	U BLACK Breaker TO ALT. SYStem	☒		
NS	60973087	1	Disconnecter 40A 3 poles	☒		



D_60573041.01 Chassis

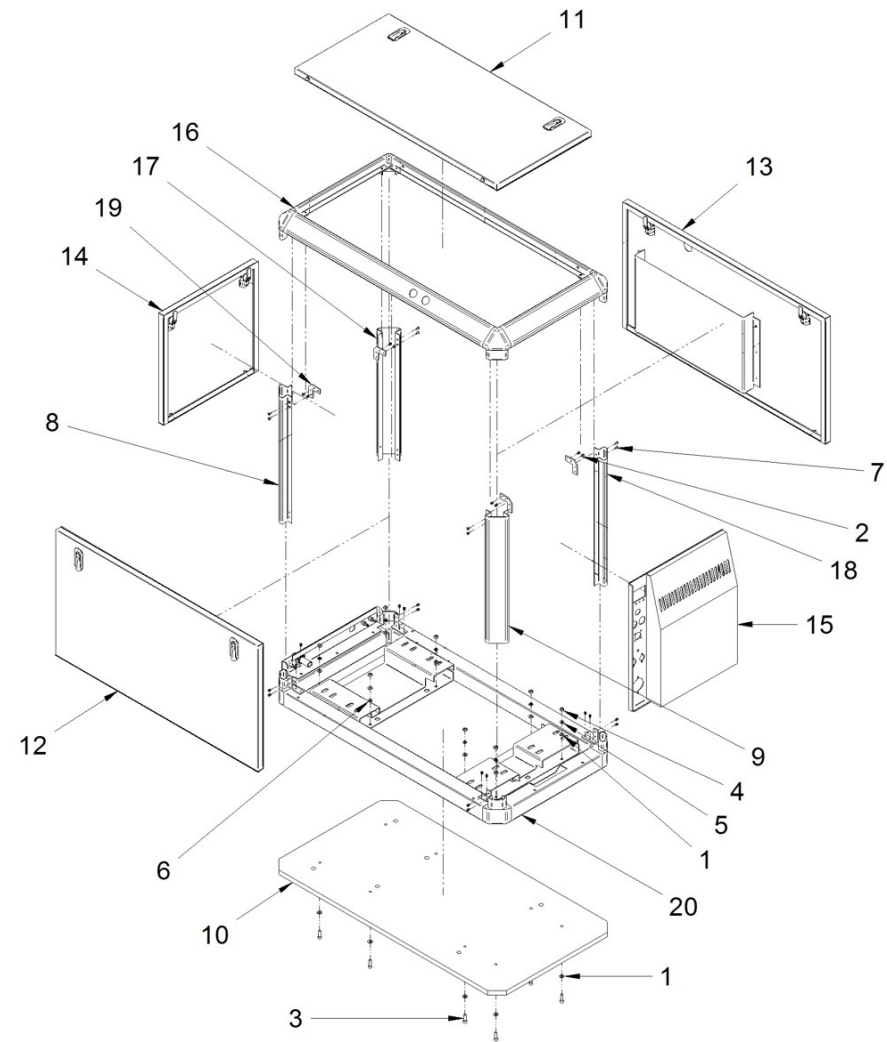
Fig.	Ref.	Qty.	Descr.	Obs	From	UpTo
------	------	------	--------	-----	------	------

1	60573041.01	1	Genset CHASSIS			
---	-------------	---	----------------	--	--	--



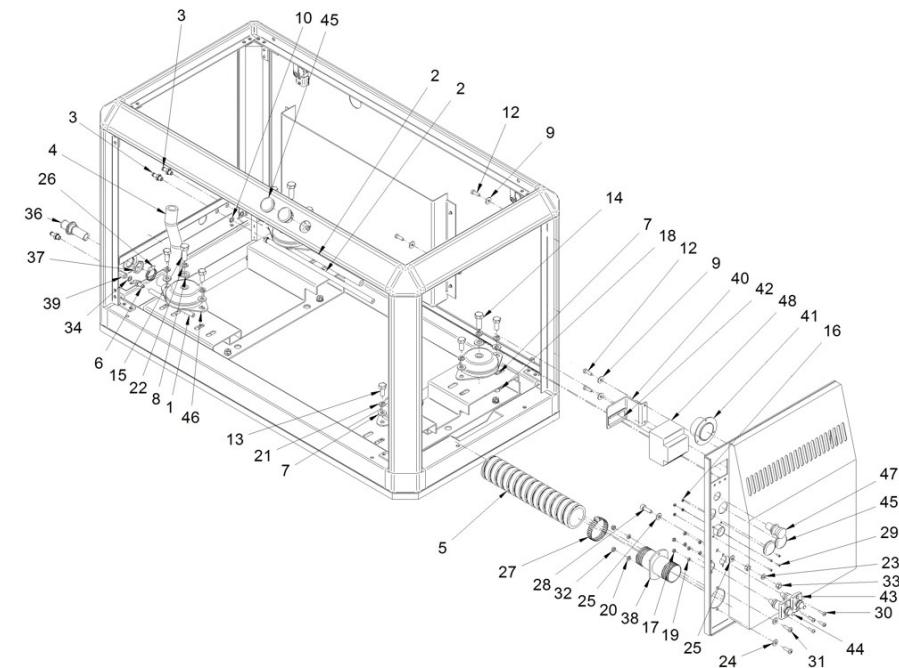
D_AXGD_4_1 Cabin

Fig.	Ref.	Qty.	Descr.	Obs	From	UpTo
1	51030008	16	Washer DIN 125-8			
2	51058054	25	Aluminium Rivet 4.0 X 10			
3	52103258	8	Bolt DIN 912 M8-25 8.8			
4	52120008	8	Nut DIN 934 M8 8.8			
5	53033008	7	Washer GROWER DIN 127-8			
6	53038008	1	Washer DIN 6798-A 8			
7	53105104	8	Bolt DIN 7991 M5-10 12.9			
8	60573041.03	1	VERTICAL BAR			
9	60573041.04	1	VERTICAL BAR			
10	60573041.10	1	BASEBOARD			
11	60573041.20	1	Upper Panel			
12	60573041.21	1	Side Panel			
13	60573041.22	1	Air Output Panel			
14	60573041.24	1	Front Panel			
15	60573041.25A	1	Back Panel			
16	60573041.30	1	Upper Frame			
17	60573041.31	1	VERTICAL BAR			
18	60573041.32	1	Vertical Bar			
19	60573041.43	4	L Fastening Bracket			
20	60573041.63	1	Bottom Frame			



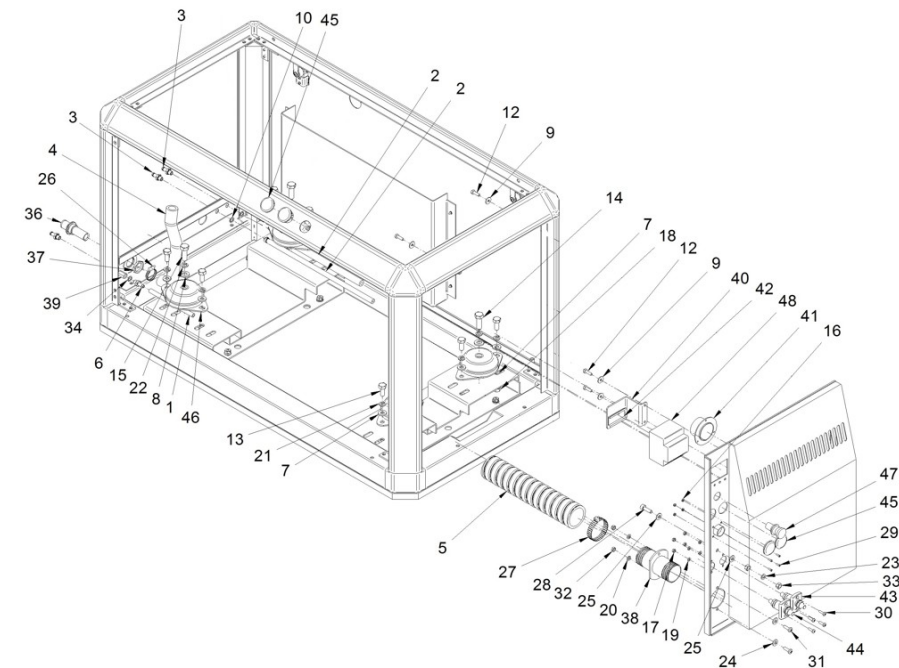
D_MI44GTDN_09_2 Canopy Kit

Fig.	Ref.	Qty.	Descr.	Obs	From	UpTo
1	M80501006	1.0	Hose D.10-6			
2	19414011	3	Fuel Hose			
3	19414030	3	STRAIGHT COUPLING 3/8			
4	M88501928	0.0	Water Intake Hose DNV D. 19-28			
5	M88505062	1.0	Exhaust Hose D. 51			
6	13814072	2	Straight Hose Connector 1/8" NPTF			
7	51030010	18	Washer DIN 125-10			
8	51030012	5	Washer DIN 125-12			
9	51031006	4	Washer DIN 9021 6			
10	19414031	3	BOLT 3/8			
12	52102157	4	Bolt DIN 933 M6-20 8.8			
13	52102307	8	Bolt DIN 933 M10-20 8.8			
14	52102359	2	Bolt DIN 933 M12-30 8.8			
15	52102361	2	Bolt DIN 933 M12-40 8.8			
16	52120003	4	Nut DIN 934 M3 8.8			
17	52120005	4	Nut DIN 934 M5 8.8			
18	52120010	8	Nut DIN 934 M10 8.8			
19	53033005	4	Washer GROWER DIN 127-5			
20	53033006	2	Washer GROWER DIN 127-6			
21	53033010	8	Washer GROWER DIN 127-10			
22	53033012	4	Washer Grower DIN 127-12			
23	53038008	1	Washer DIN 6798-A 8			
24	54030006	2	Washer DIN 125-6 INOX.			
25	54030008	2	Washer DIN 125-8 INOX.			
26	54081016	4	Clamp DIN 3017 16-27/9 W4			
27	54083059	1	GP Clamp 55-59 W4 STC			
28	54103258	1	Bolt DIN 912 M8-25 INOX.			
29	54108003	4	Bolt DIN 84 M3-8 INOX.			
30	54118106	4	Bolt DIN 7985 M5-16 INOX			
31	54118157	2	Bolt DIN 7985 M6-20 INOX			
32	54120006	2	Nut DIN 934 M6 INOX			



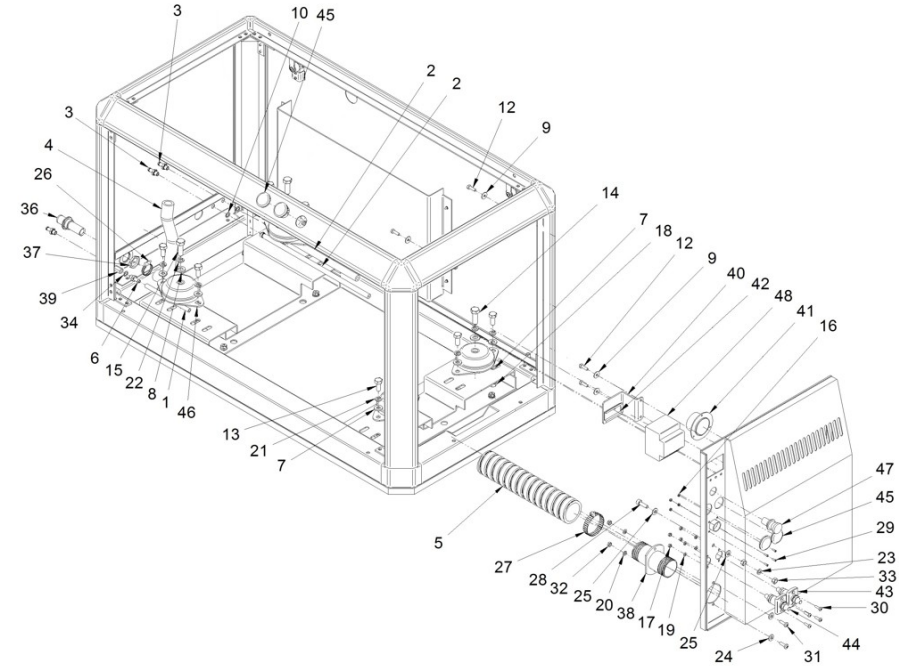
D_MI44GTDN_09_2 Canopy Kit

Fig.	Ref.	Qty.	Descr.	Obs	From	UpTo
33	54120008	2	Nut DIN 934 M8			
34	57000361	1	Washer 10-14-1,5			
36	60572014	1	Water Wall Bushing D.20			
37	60572014.1	1	3/4" GAS Nut			
38	60573014	1	Exhaust Wall PASS D.50			
39	60573041.39	1	ROD Coupling 1/8 BSP			
40	60573041.42	1	L FASTENING Bracket With OMEGA			
41	60573041.46	1	Air Connection D.50			
42	60573041.64	1	Switch Disconnecter Omega Bracket			
43	60573047	1	Battery Plug IN			
44	60573048	1	Battery Plug IN			
45	60900508	4	Shutter 31			
46	61673001	4	Engine Mount Type F 35 SHA M12 H 34			
47	60900510	1	Emergency Stop PUSH BOTTOM			
48	60971085	1	FOUR PoleS 25A DISConnector			
NS	17210074	4	Spacer 17X30X5			
NS	52102256	1	Bolt DIN 933 M8-16 8.8			
NS	52202358	1	Bolt DIN 933 M12-1,25-25 8.8			
NS	54082025	2	Clamp DIN 3017 25-40/12 W4			
NS	54082032	4	Clamp DIN 3017 32-50/12 W4			
NS	58018160	5	Screw			
NS	60972073	1	0,25 M. CHASSIS TO MOTOR Wiring GROUND			
NS	60972074	1	0,44 M. Back Panel To Alt. Wiring Ground			
NS	60972090	2	TER. PROTECTIVE 20 RED			
NS	60972091	2	TER. PROTECTIVE 20 BLACK			
NS	60972093	1	TER. PROTECTIVE 28 BLACK			
NS	60972094	1	TER. PROTECTIVE 28 RED			
NS	60973048	1	BLACK Battery NEGATIVE Wiring			
NS	60973049	1	RED Battery POSITIVE Wiring			
NS	M88564500	1.0	Air Aspiration Hose D. 45			
NS	M88565000	0.0	Air Aspiration Hose D. 50			



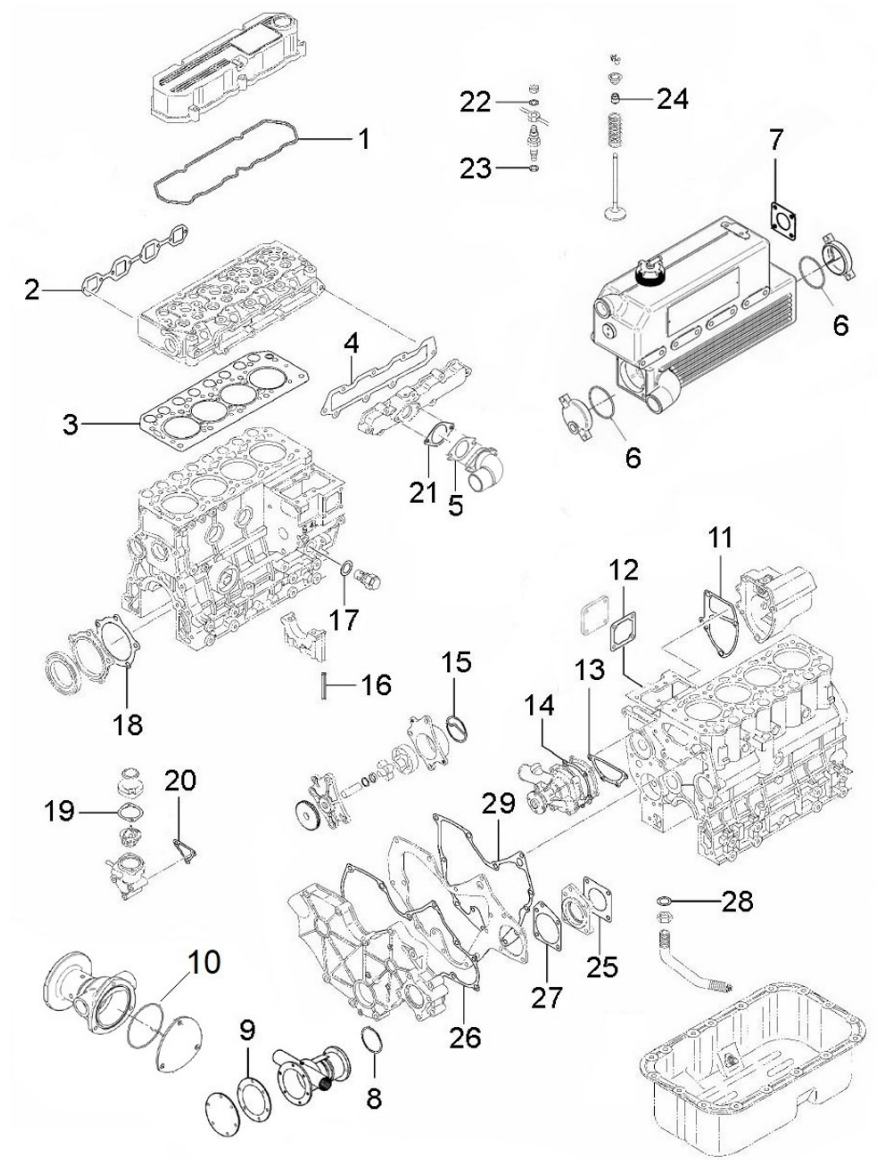
D_MI44GTDN_09_2 Canopy Kit

Fig.	Ref.	Qty.	Descr.	Obs	From	UpTo
NS	TP.16.L.22	4	Twin Connector Terminal 16 Sec.			



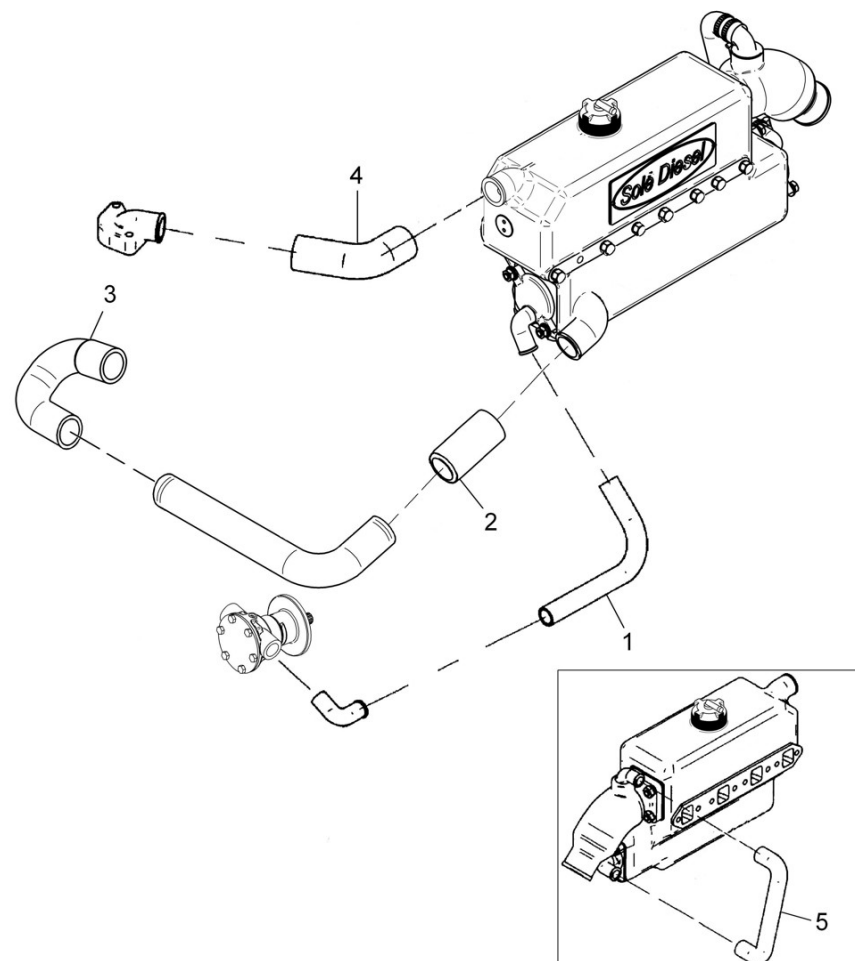
D_17320101G Gasket Kit

Fig.	Ref.	Qty.	Descr.	Obs	From	UpTo
1	17321010	1	Rocker Cover Gasket			
2	17321035.1	1	Gasket			
3	17321004	1	Gasket, Cylinder Head			
4	17321032	1	Gasket, Inlet Cover			
5	17321033	1	Inlet Pipe Gasket			
6	13811007	2	O-Ring D. 57X2,5			
7	15113043	1	Exhaust Elbow Gasket			
8	17011007	1	O-Ring D. 57X3			
9	31211003	1	Gasket Cover			
10	37611003	1	O-Ring D. 57x1,5			01/06/2022
10	37611005	1	O-Ring D. 57X1,78		02/06/2022	
11	17223033	1	Gasket, Governor Case			
12	13223014	1	Gasket Cover			
13	13221022	1	Gasket Water Pump			
14	13221041	1	Gasket Water Pump			
15	17224041	1	Packing, Body			
16	17220002	4	Seal, Side			
17	17424063	1	Gasket			
18	17220016	1	Gasket, Oil Seal Case			
19	17221031	1	Gasket, Thermostat			
20	17221033	1	Gasket, Thermostat Case			
21	17321034.4	1	Pipe Inlet Gasket			
22	17424025G.1	4	Gasket Fuel Return (Genset)			
23	13824013	4	Injector Washer			
24	13222054	8	Seal Valve Stem			
25	13120047	3	Gasket Water Pump			
26	17220040	1	Gasket, Gear Case			
27	17220038	1	Gasket, Housing			
28	17024001	1	Gasket			
29	17220018	1	Gasket, Front Plate			



17311101 Pipe Rubber Set, Water Line TAC

Fig.	Ref.	Qty.	Descr.	Obs	From	UpTo
1	17011012	1	Elbow			
2	15211053	1	Pipe 38-50-100			
3	19411034	1	Pipe, Rubber			
4	17211021	1	Elbow			
5	17211034	1	Rubber WET Exhaust Inlet BEND			



37611000K Repair Kit Water Pump 1/2"

Fig.	Ref.	Qty.	Descr.	Obs	From	UpTo
1	31211008	1	1/2" Impeller			
2	37611003	1	O-Ring D. 57x1,5			01/06/2022
2	37611005	1	O-Ring D. 57X1,78		02/06/2022	
3	33411020	1	Seal			
4	33411019	1	Seal			
5	33311013	1	O-Ring D. 15X2			
NS	17011007	1	O-Ring D. 57X3			



D_UTILFA1229_1 Special Tools

Fig.	Ref.	Qty.	Descr.	Obs	From	UpTo
1	UMM74007	1	Piston Ring Pliers			
2	U31A9100100	1	Piston pin setting tool			
3	UST332270	1	Compression Gauge Adapter			
4	UST332340	1	Camshaft Bushing Installer			

