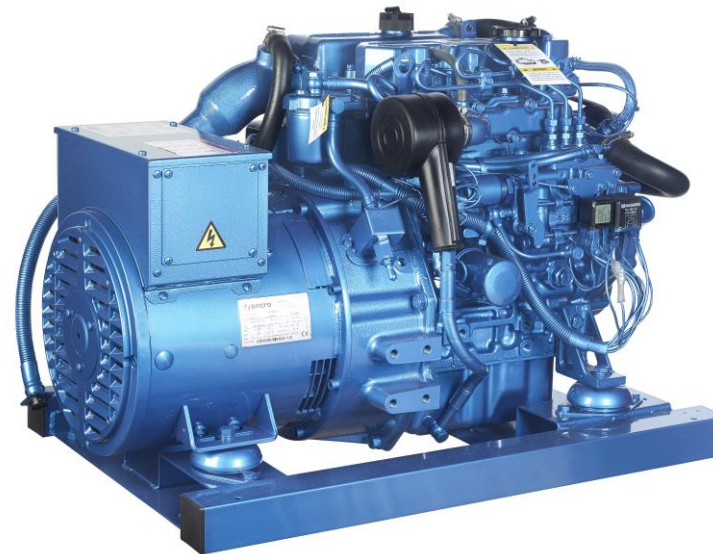




# Genset 11 GT/GTC & 14 GTA/GTAC Type Approval Certificate

VERSION 2023-6

SPARE PARTS MANUAL



## PARTS LIST CATALOGUE

### NORMS TO PLACE AN ORDER:

For fast and more efficient service, please specify the following information on spare parts orders that must be preferably done by FAX or e-mail as specified below:

- 1- Engine model: As shown in identification plate
- 2- Engine serial number: As shown in identification plate and stamped on crankcase
- 3- Item description + part number + quantity required

---

### Spare parts requests must be addressed to:

[recambios@solediesel.com](mailto:recambios@solediesel.com)

Telf.: +34 93 775 44 05

Fax: +34 93 775 30 13

---

The components shown in the catalog have:

- Figure: Number by which they are represented in scheme
  - Description: Trade name of the component
  - Quantity: Total number of parts used in the assembly of the part represented (may differ from the total minimum quantities)
- Hoses, indicates the total length in meters
- 

*The diagrams shown in this catalog of spare parts, have only the purpose to identify the piece in question, its representation is not meaningful and may differ from the actual piece.*

*In case of doubt, contact Solé Diesel, or your authorized dealer.*

*The parts i / or references in this catalog are subject to change without notice.*

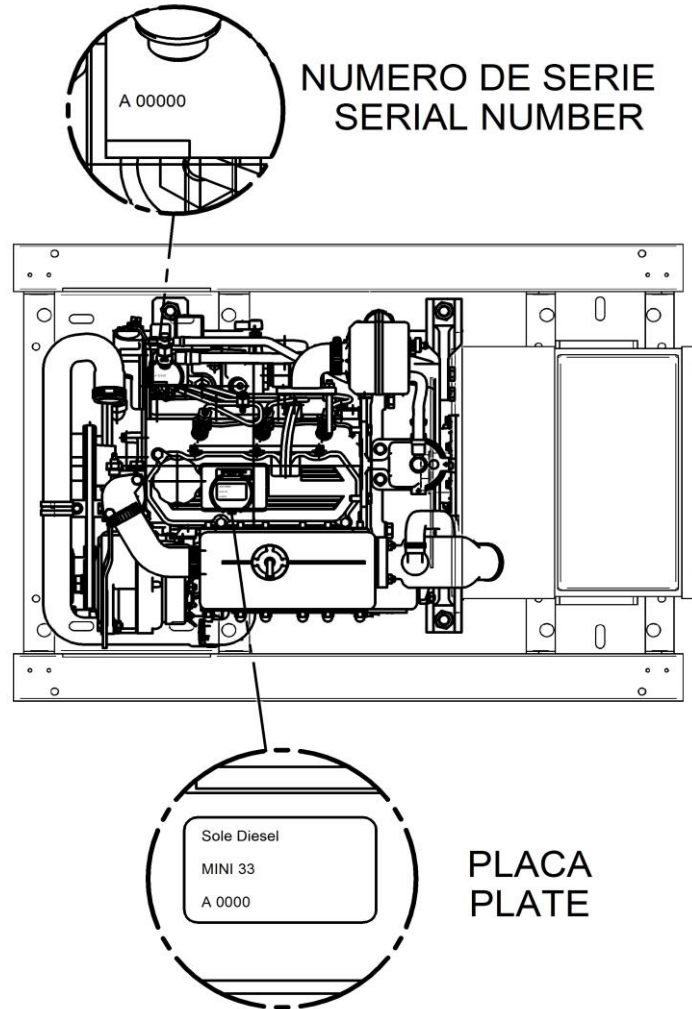
---

[SOLÉ.S.A.](http://www.solé.com)

C-243b, Km, 2 - P.O. BOX 15  
08760 Martorell (Barcelona) Spain

---

Download the latest version of this manual [HERE](#)



## Engine Body

- Cylinder Head
- Rocker Cover & Breather
- Valve Drive
- Timing Parts
- Gear Case
- Crankcase
- Rear Plate
- Piston & Connection Rod
- Crankshaft & Flywheel
- Oil System
- Oil Pan
- Engine Brackets
- Drive Belt Guard For Genset Without Canopy

## Inlet & Exhaust

- Inlet

## Cooling System

- Water Pump
- Cooler Pipes
- Water Cooler Assy MINI-33 TAC
- Body, Water Cooler And Cap
- Wet Exhaust
- 1/2" Pump Water, Set
- Splined Pump 1/2" MINI-11/17/29/33/44

## Fuel System

- Fuel Pipe And Fuel Leak Alarm
- Injection Nozzle
- Fuel Injection Pump
- Governor Parts
- Fuel Supply Parts

## Electrical System

- Electrical System 12V
- Electrical System 24V
- Parallel control system 12V
- Control Cabinets
- Genset Extension TAC

## Genset Alternator Spare Parts

- Alternator 11 GT/GTC and 14 GTA/GTAC
- Alternator Spare Parts

## Genset Alternator Kit

- Alternator Kit Without Canopy
- Alternator Kit Without Canopy

## Chassis Spare Parts

- Genset Chassis

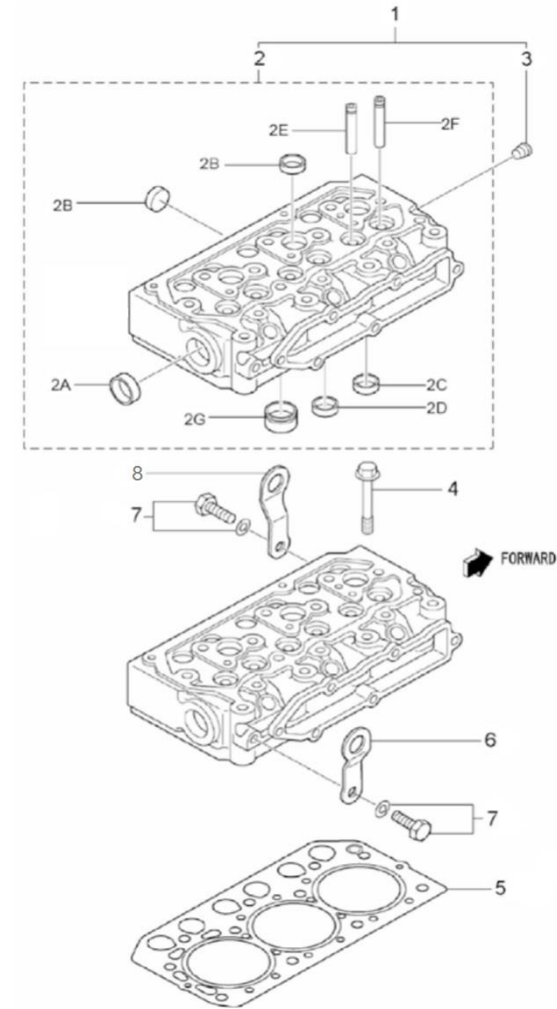
## Canopy Spare Parts

- Cabin
- Alternator Kit With Canopy

## Maintenance Kit

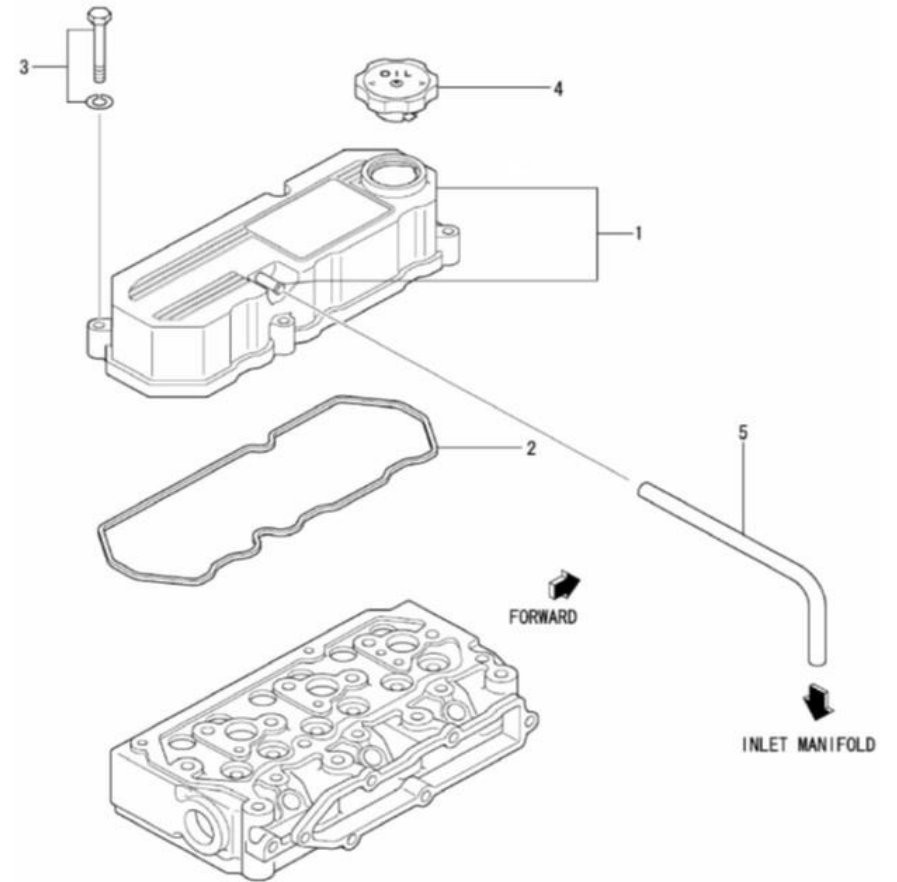
- Gasket Kit
- Pipe Rubber Set, Water Line TAC
- Repair Kit Water Pump 1/2"
- Repair Kit Water Pump 1/2"
- Special Tools

D_GC01_1_1		Cylinder Head				
FIG.	REF.	QTY	DESCR.	FROM	UPTO	
1	17221001G	1	Head Assy, Cylinder Generator			
2	(*)	7	Not available [NP]			
2A	17020012	1	Cap			
2B	13220012	5	Cap Sealing			
2E	17221002	3	Guide, Valve Exhaust			
2F	17221003	3	Guide, Valve, Inlet			
2G	17221015G	3	Jet, Combustion (Generator)			
3	17820011	1	Plug, Tapered			
4	17221005	11	Bolt,cylinder head			
5	17221004	1	Gasket, Cylinder Head			
6	13221011	1	HANGER Engine			
7	17720010	2	Bolt,W/Washer			
8	17210008	1	HANGER, Engine			



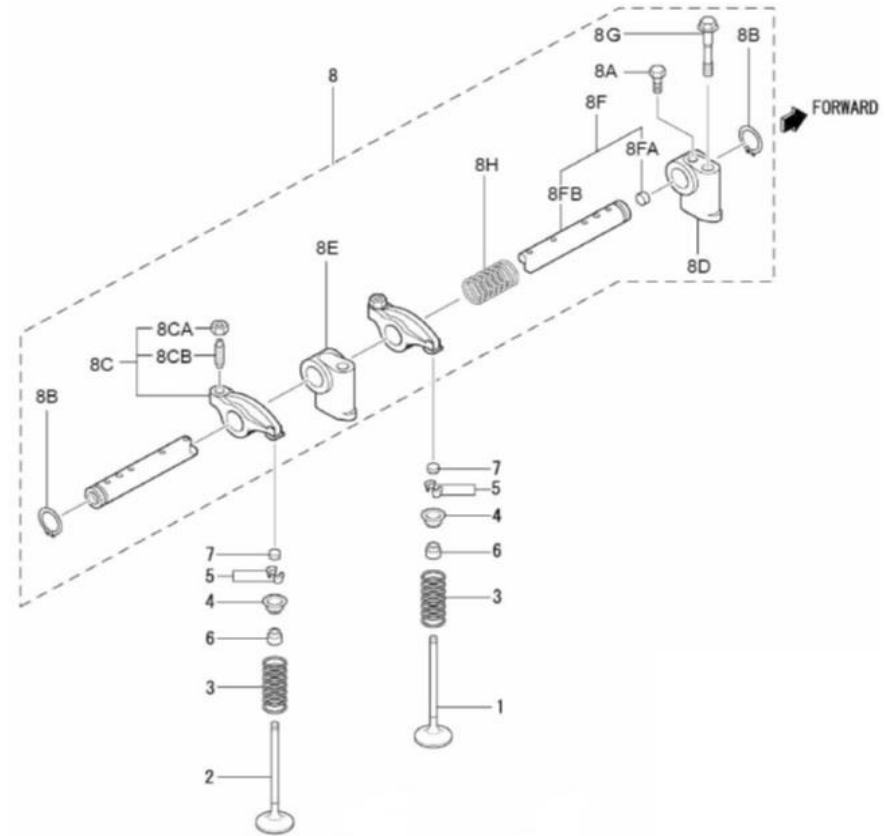
[NP] Not provided

D_GC01_1_2		Rocker Cover & Breather				
FIG.	REF.	QTY	DESCR.	FROM	UPTO	
1	17221009	1	Cover Assy, Rocker			
2	17221010	1	Gasket, Rocker Cover			
3	17421014G.1	4	Bolt W/Washer (Generator)			
4	17221003G	1	Cap Oil Filler			
5	17321006.4	1	Hose Breather			



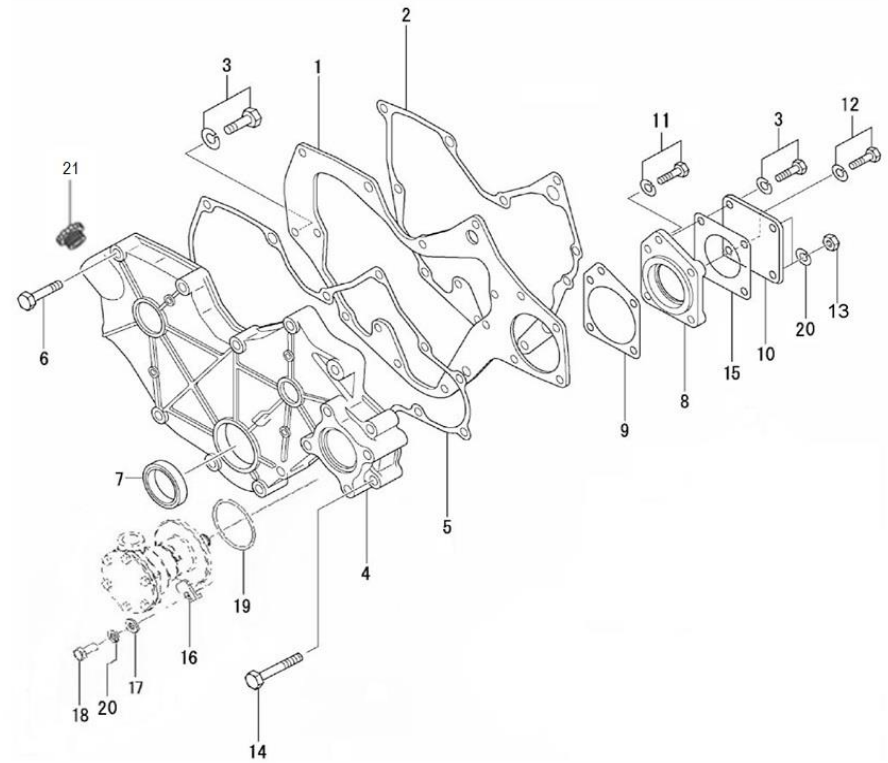


D_GC01_1_3		Valve Drive				
FIG.	REF.	QTY	DESCR.	FROM	UPTO	
1	17222055	3	Intake Valve			
2	17222056	3	Exhaust Valve			
3	17222057	6	Spring, Valve, INNER			
4	13822058	6	Retainer Valve SP			
5	13222059	12	Lock Valve			
6	13222054	6	Seal Valve Stem			
7	13822069	6	Cap Stem			
8	17222146	1	Rocker & Shaft Assy			
8A	17222053	1	Bolt			
8B	17222050	2	Ring, SNAP			
8C	17222142G	6	Rocker Assy			
8CA	17122060	6	Nut			
8CB	17122044	6	Screw Adjusting			
8D	17222048	1	Bracket, Rocker Shaft			
8F	17222049	2	Bracket, Rocker Shaft			
8FA	17222025	2	Cap, Sealing			
8G	17222053.4G	3	Bolt			
8H	17122047	2	Spring			



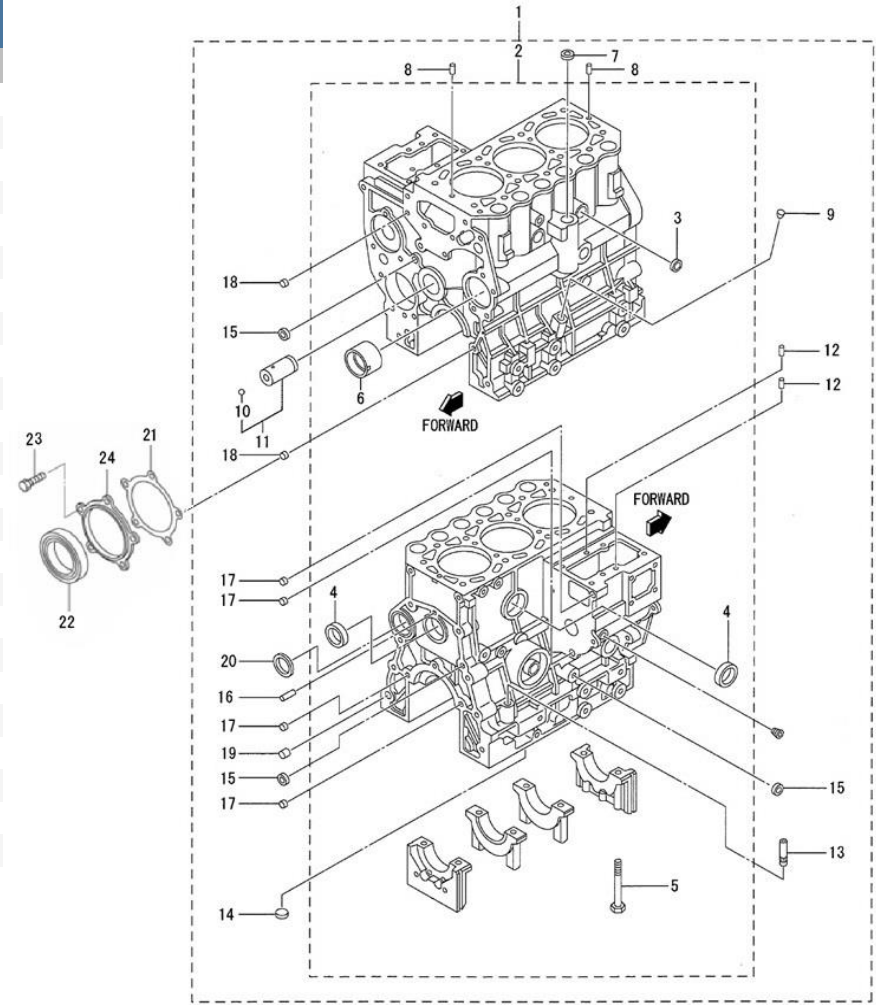


D_GC01_1_5		Gear Case			
FIG.	REF.	QTY	DESCR.	FROM	UPTO
1	17220024	1	Plate, Front		
2	17220018	1	Gasket, Front Plate		
3	17821012	5	Bolt,W/Washer		
4	17220035	1	Case Gear		
5	17220040	1	Gasket, Gear Case		
6	17220034	8	Bolt		
7	13220039	1	Seal Oil		
8	17220037	1	Housing, Gear Pump		
9	17220038	1	Gasket, Housing		
10	13120046	2	Cover Oil Pump SH		
11	17822118	1	Bolt, Flange		
12	17201260	1	Bolt		
13	17120049	2	Nut M8		
14	17024062	2	Bolt		
15	13120047	2	Gasket Water Pump		
16	13811062	4	Pump Bracket		
17	51030008	4	Washer DIN 125-8		
18	52102257	4	Bolt DIN 933 M8-20 8.8		
19	17011007	1	O-Ring D. 57X3		
20	53033008	14	Washer GROWER DIN 127-8		
21	17621003	1	Cap Oil FILLER		



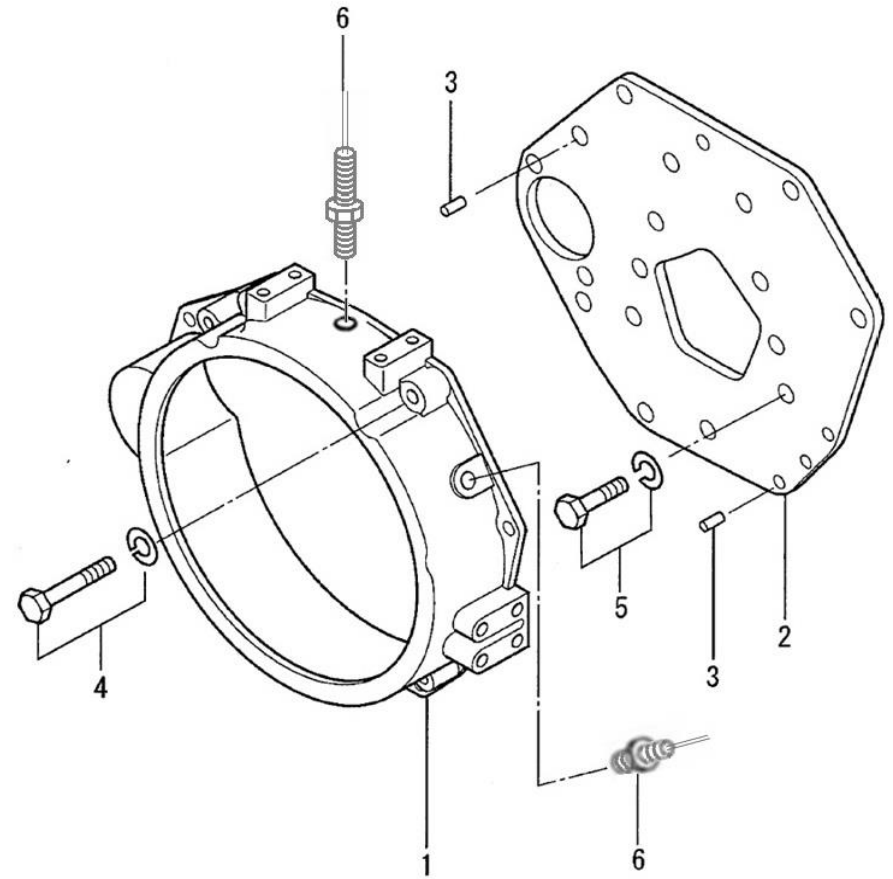


D_GC01_1_6 Cranckcase						
FIG.	REF.	QTY	DESCR.	FROM	UPTO	
1	17220001G	1	Block Assy, Cylinder (Generator)			
2	(*)	1	Not available [NP]			
3	17220006.4G	2	Cap Sealing			
4	17221012.4G	2	Cap Sealing			
5	17220009	8	Bolt Bearing Cap			
6	17220011	1	Bushing, CamShaft			
7	17020014	1	Cap			
8	17120019	2	Pin, dowel			
9	17220023	1	Plug, TAPER			
10	17220028	1	Ball			
11	17220014	1	Shaft Assy, IDLER			
12	17620036.4	2	Pin Dowel			
13	13220007	1	Guide			
14	17220012	1	Cap, Sealing			
15	17220013	3	Cap, Sealing			
16	17620020.4	1	Pin			
17	13120009	4	Bushing			
18	13220021	2	Bushing KNOCK			
19	13220022	1	BUSHING,KNOCK			
20	17220019	1	Plug, Expansion			
21	17220016	1	Gasket, Oil Seal Case			
22	17220063	1	Seal, Oil			
23	52102257	5	Bolt DIN 933 M8-20 8.8			
24	17220015	1	Case, Oil Seal			



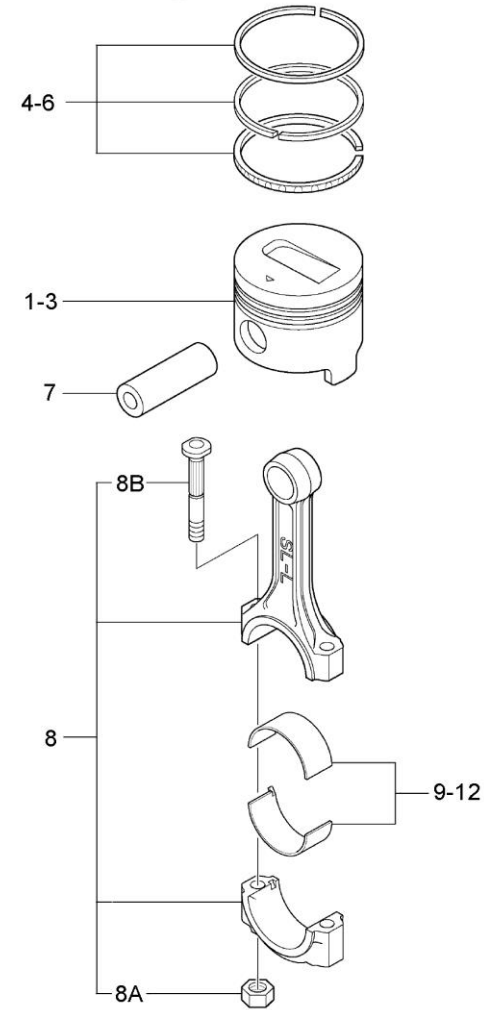
[NP] Not provided

D_MI33GSTDN_01_7		Rear Plate				
FIG.	REF.	QTY	DESCR.	FROM	UPTO	
1	17220003GDNR	1	Flywheel Housing TAC			
2	17220017	1	Plate, REAR			
3	17220026	2	Pin			
4	17202309	2	Bolt			
5	17220062G	13	Bolt [NP]			
6	60972519	2	Magnetic Speed Sensor			



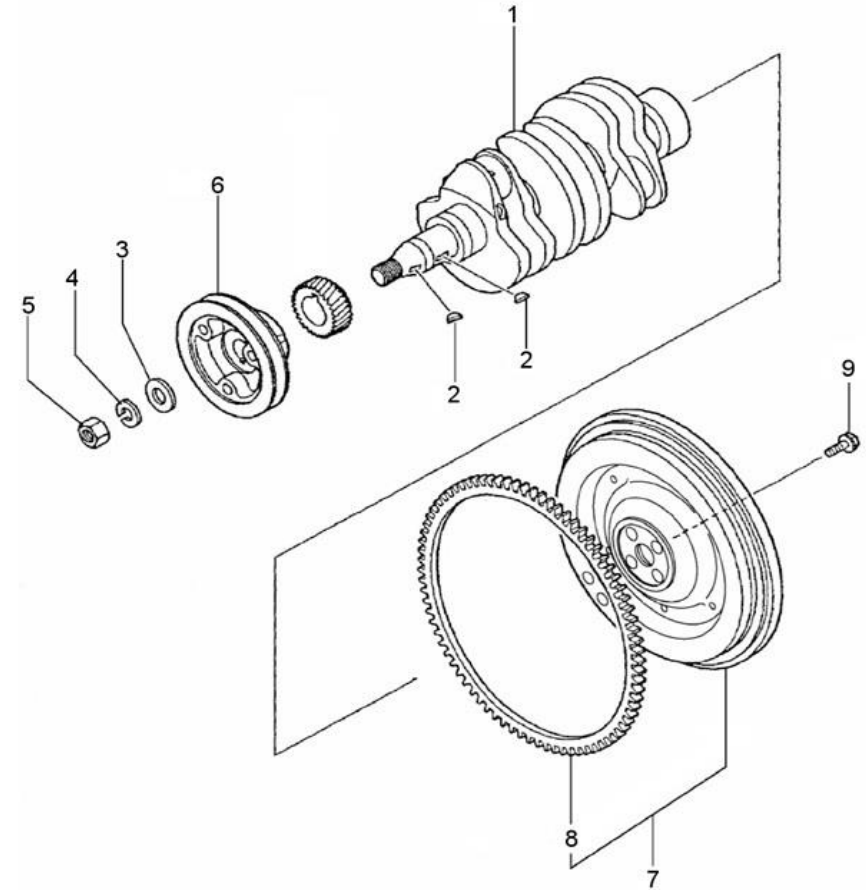
[NP] Not provided

D_GC01_1_8		Piston & Connecting Rod				
FIG.	REF.	QTY	DESCR.	FROM	UPTO	
1	17222001G	3	Piston (Generator)		02/04/2018	
1	17222001G.1	3	Piston (Genset)	03/04/2018		
2	17222002G	3	Piston + 0,25 (Generator)			
3	17222003G	3	Piston + 0,50 (Generator)			
4	17722006	3	Ring Set,Piston STD.			
5	17722007	3	Ring Set,Piston O.S 0.25			
6	17722008	3	Ring Set,Piston O.S 0.50			
7	17222009	3	Pin, Piston			
8	17222010	3	Rod Assy, Connecting			
8A	17022011	6	Nut,connecting rod			
8B	17222013	6	Bolt,connecting rod			
9	17222014	3	Metal Set, Con Rod STD.			
10	17222015	3	METAL Set, CON ROD - 0,25			
11	17222016	3	METAL Set, CON ROD - 0,50			
12	17222017	3	METAL Set, CON ROD - 0,75			





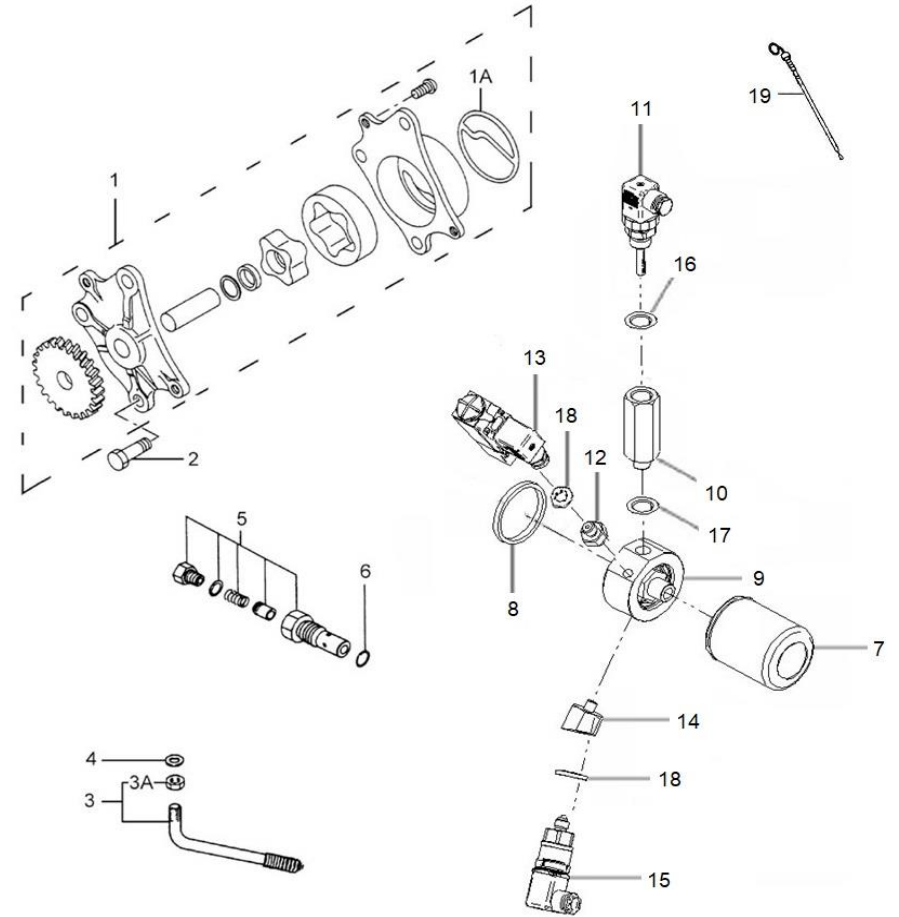
D_GC01_1_9		Crankshaft & Flywheel				
FIG.	REF.	QTY	DESCR.	FROM	UPTO	
1	17222018G	1	CrankShaft [NP]			
2	13222020	2	KEY			
3	17222051	1	Washer, Plain			
4	53033018	1	Washer GROWER DIN 127-18			
5	13222026	1	Nut			
6	17222024	1	Pulley CrankShaft			
7	17222027G	1	Flywheel SUB Assy (Generator)			
8	13222029	1	Gear			
9	17022031	4	Bolt Drive			



[NP] Not provided

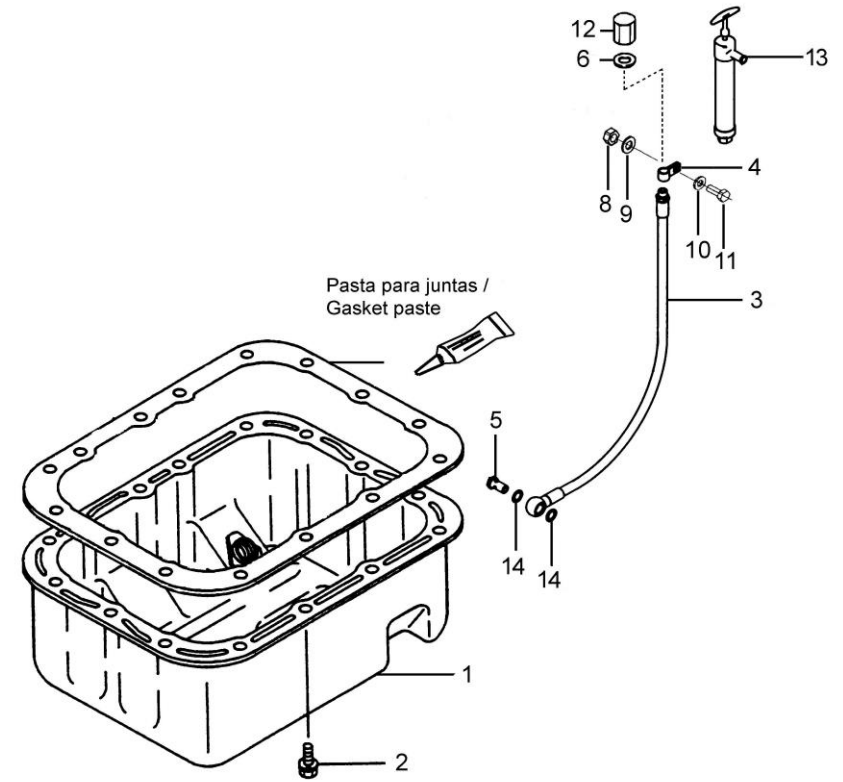


D_MI33GSTDN_01_10		Oil System				
FIG.	REF.	QTY	DESCR.	FROM	UPTO	
1	17224040	1	Pump Assy, Oil			
1A	17224041	1	Packing, Body			
2	17202258	3	Bolt			
3	17224052	1	Strainer Assy			
3A	13822026	1	Nut			
4	17024001	1	Gasket			
5	17124071	1	Valve, Assy			
6	17424063	1	Gasket			
7	13124051	1	Oil Filter Element from MINI 11 to 55			
8	13812015.05	1	Remote Oil Filter Gasget			
9	17214032	1	Fuel filter Racor Flange			
10	17A17028	1	Conversion Adapter G1/2 a 3/8			
11	60994075	1	Temperature Sensor			
12	17A17032	1	Conversion Adapter R 1/8 A G1/4			
13	6097A072	1	Compact Pressure Switch			
13A	60900956	1	10k ohm Resistor			
14	17A17035.1	1	Conversion Adapter G1/4 a G1/8 BSPT			
15	60994076	1	Marine Approved Pressure Transmitters			
16	56000083	1	Washer 21-26-1,5			
17	56000077	1	Washer 18-23-1,5			
18	56000020	2	Washer 14,3-22-1			
19	17220029	1	Gauge Oil LEVEL			



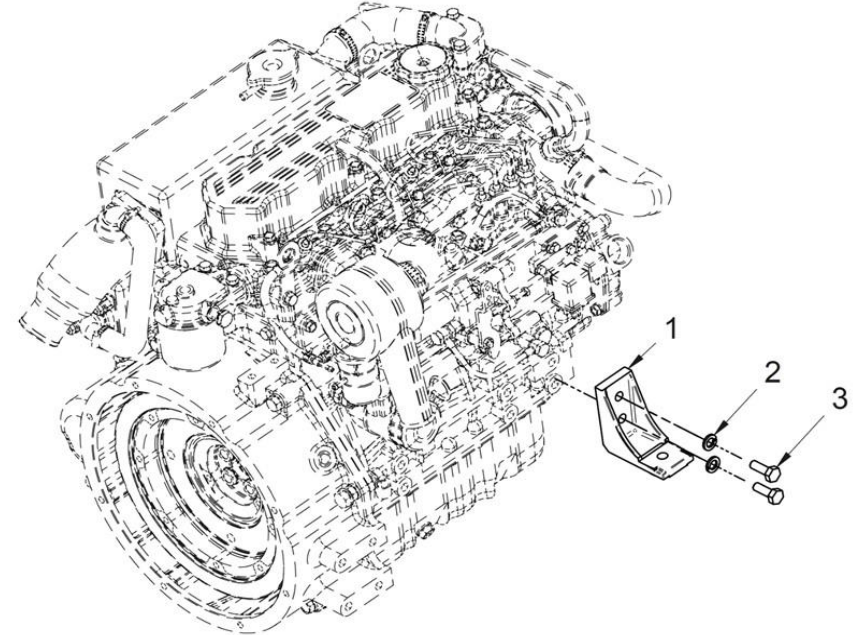


D_GC01_1_11		Oil Pan				
FIG.	REF.	QTY	DESCR.	FROM	UPTO	
1	17220030	1	PAN Assy, Oil			
2	17821012	15	Bolt,W/Washer			
3	17214021	1	ExtraCTION, Hose			
4	17214022	1	Bracket, Pipe			
5	12814051	1	Screw,eye			
6	56000217	1	Washer 13-20-3			
8	52220012	1	Nut DIN 934 M12-1,25 8.8			
9	51030012	1	Washer DIN 125-12			
10	53038012	1	Washer DIN 6798-A 12		11/04/2022	
11	52202363	1	Bolt DIN 933 M12-1,25-50 8.8			
12	16514020	1	Plug			
13	14714001	1	Oil Extraction Pump			
14	56000069	1	Washer 14-20-1,5			





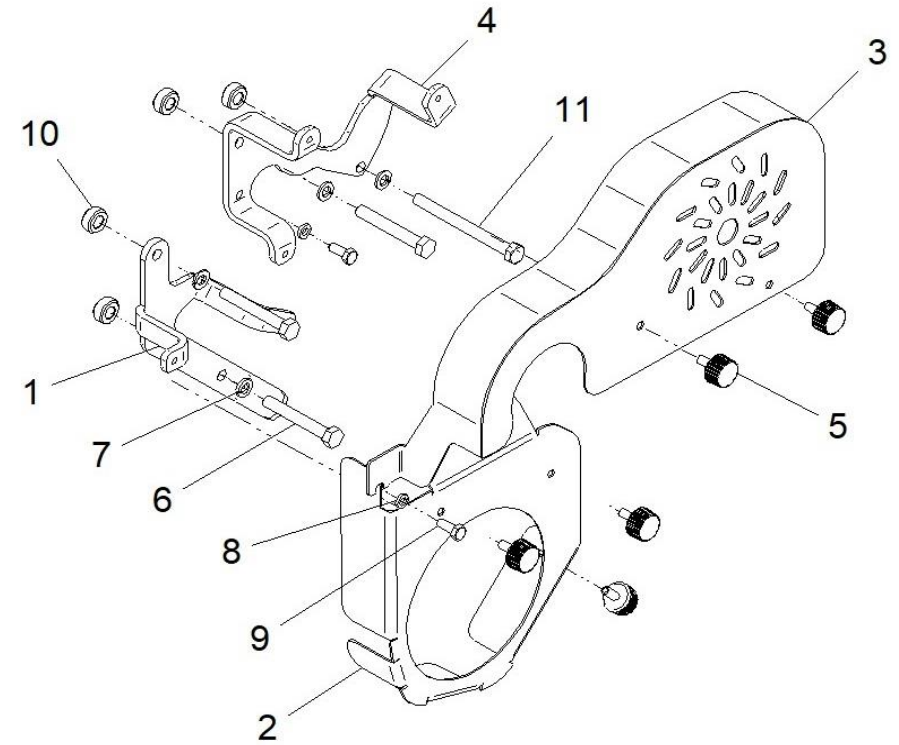
D_GC01_1_12		Engine Brackets				
FIG.	REF.	QTY	DESCR.	FROM	UPTO	
1	17210034	2	Front Bracket			
2	53033012	2	Washer Grower DIN 127-12			
3	52202359	2	Bolt DIN 933 M12-1,25-30 8.8			







D_MI44GSTDN_01_13 Drive Belt Guard For Genset Without Canopy						
FIG.	REF.	QTY	DESCR.	FROM	UPTO	
1	17310040	1	Bracket			
2	17310041	1	Drive Belt Guard			
3	17310043	1	Drive Belt Guard			
4	17310042	1	Bracket			
5	13810247	5	Grip Knob M6			
6	52101265	3	Bolt DIN 931 M8-60 8.8			
7	53033008	4	Washer GROWER DIN 127-8			
8	51030006	2	Washer DIN 125-6			
9	52102156	2	Bolt DIN 933 M6-16 8.8			
10	12117044	4	Spacer			
11	52101271	1	Bolt DIN 931 M8-90 8.8			
NS	18517013	1	Spacer 10X20X7 [NS]			

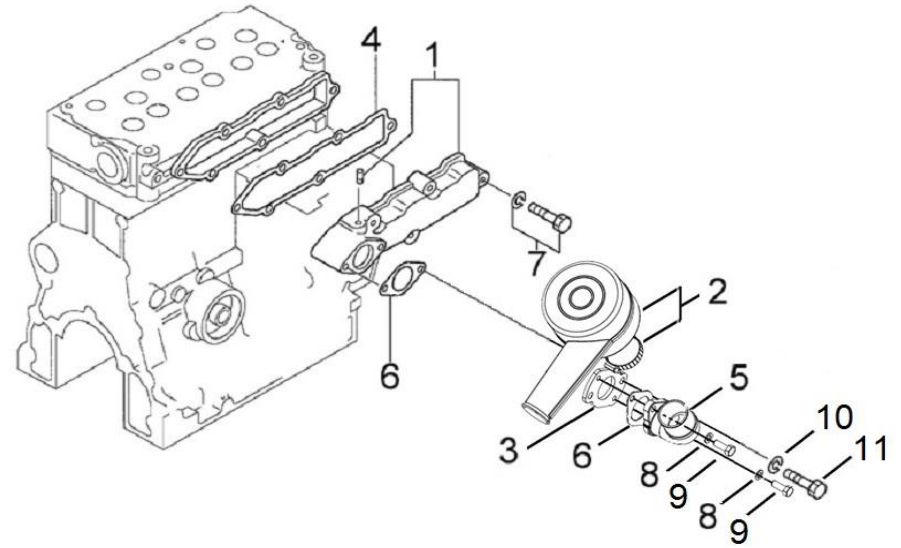


[NS] Not shown

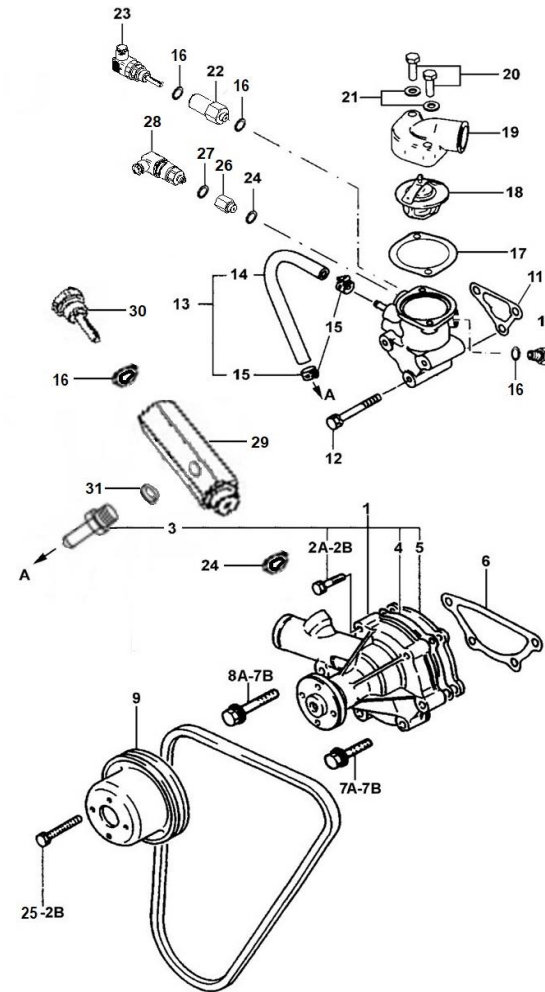




D_MI33GSTDN_02_1 Inlet						
FIG.	REF.	QTY	DESCR.	FROM	UPTO	
1	17221030	1	Cover Assy, Inlet			
2	13810074	1	Air Filter			
3	17210042	1	Inlet Flange			
4	17221032	1	Gasket, Inlet Cover			
5	17210020	1	Bend			
6	17221034	1	Gasket, Inlet Pipe			
7	17721011	5	Bolt,W/Washer			
8	53038008	2	Washer DIN 6798-A 8			
9	52102257	2	Bolt DIN 933 M8-20 8.8			
10	53033008	2	Washer GROWER DIN 127-8			
11	52103257	2	Bolt DIN 912 M8-20 8.8			

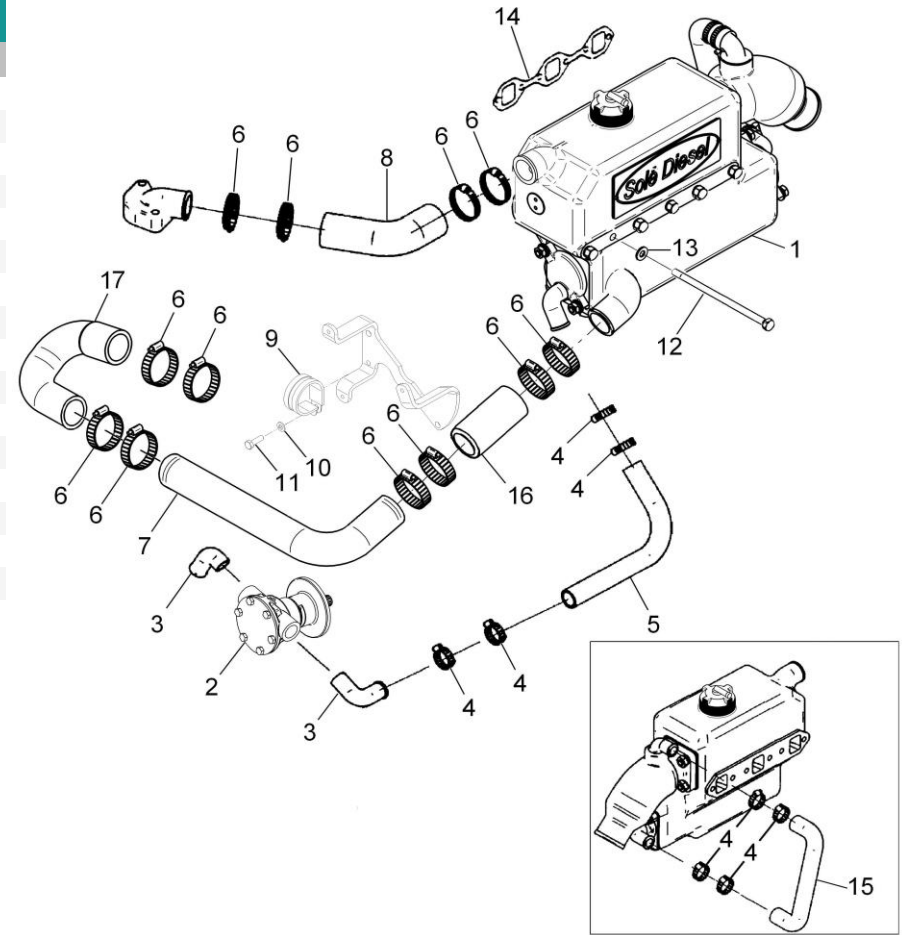


D_MI33GSTDN_03_1 Water Pump						
FIG.	REF.	QTY	DESCR.	FROM	UPTO	
1	17221020	1	Fresh Water Pump			
2A	52102259	2	Bolt DIN 933 M8-30 8.8			
2B	53033006	6	Washer GROWER DIN 127-6			
3	13221026	1	NIPPLE Hose			
4	13221022	1	Gasket Water Pump			
5	13221042	1	Plate Water Pump			
6	13221041	1	Gasket Water Pump			
7A	52101262	3	Bolt DIN 931 M8-45 8.8			
7B	53033008	7	Washer GROWER DIN 127-8			
8A	17201265	1	Bolt			
9	17221021	1	Pulley,Water Pump			
10	17121016	1	Plug, drain			
11	17221033	1	Gasket, Thermostat Case			
12	17420062G.1	3	Bolt,W/Washer (Generator)			
13	17221025	1	Hose Assy			
14	17221024	1	Elbow			
15	17824029	2	Clip,Hose			
16	56000083	4	Washer 21-26-1,5			
17	17221031	1	Gasket,Thermostat			
18	17221027G	1	Thermostat			
19	17211020	1	Fitting, Water Outlet			
20	52101260	2	Bolt DIN 931 M8-35 8.8			
21	53038008	2	Washer DIN 6798-A 8			
22	17317035	1	Conversion Adapter G1/2 A 5/8 UNF			
23	60994075	1	Temperature Sensor			
24	56000077	2	Washer 18-23-1,5			
25	52102155	4	Bolt DIN 933 M6-12 8.8			
26	17A17030	1	Conversion Adapter G1/4 a 5/8"SAE			
27	56000020	1	Washer 14,3-22-1			
28	60994076	1	Marine Approved Pressure Transmitters			
29	17317032	1	Conversion Adapter G3/8 BSP			
30	6097A075	1	Thermostat DNV 95° Trafag			
30A	60900956	1	10k ohm Resistor			
31	56000073	1	Copper Washer 16-23-1,5			



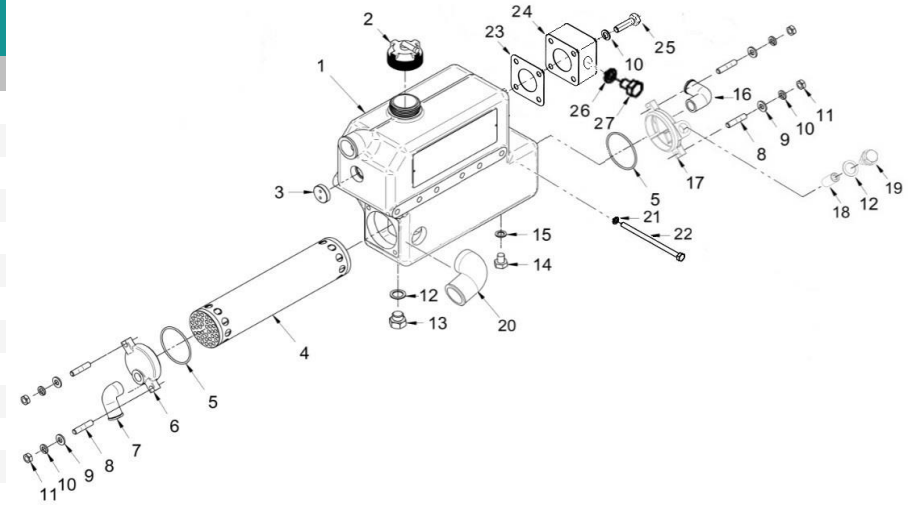


D_MI33GSTDN_03_4		Cooler Pipes				
FIG.	REF.	QTY	DESCR.	FROM	UPTO	
1	17211002R	1	Water Cooler Assy MINI-33 (Spare Part)			
2	37611000	1	Splined Pump 1/2" MINI-11/17/29/33/44			
3	13811027	2	Elbow 1/2"			
4	54081016	8	Clamp DIN 3017 16-27/9 W4			
5	17011012	1	Elbow			
6	54082032	12	Clamp DIN 3017 32-50/12 W4			
7	17011022	1	Pipe,from cooler to engine			
8	17211021	1	Elbow			
9	51071373	1	Clamp 31-40/15 W1			
10	51030006	1	Washer DIN 125-6			
11	52102157	1	Bolt DIN 933 M6-20 8.8			
12	54101323	6	Bolt DIN 931 M8-140 Inox.			
13	56000057	6	Washer 8-13-1,5			
14	17221035	1	Gasket, Exhaust Manifold			
15	17211034	1	Rubber WET Exhaust Inlet BEND			
16	15211053	1	Pipe 38-50-100			
17	19411034	1	Pipe, Rubber			





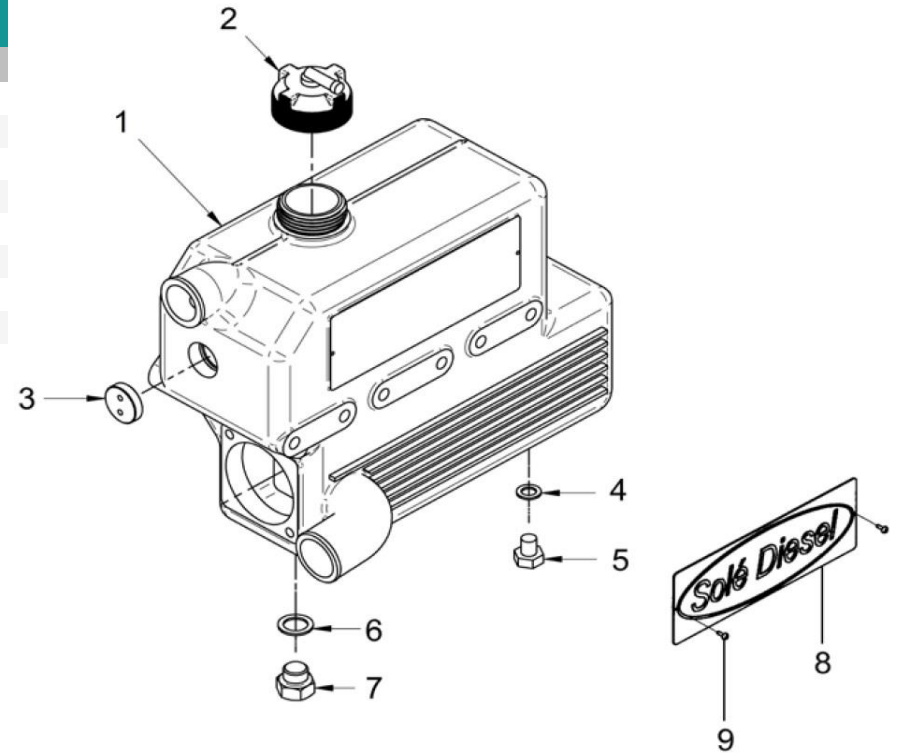
D_MI33GSTDN_03_5		Water Cooler Assy MINI-33 TAC			
FIG.	REF.	QTY	DESCR.	FROM	UPTO
1	17211003	1	Body, Water Cooler [NP]		
2	13811010	1	Cap		
3	12113092	1	Plug		
4	17211004	1	Tubular Bundle		
5	13811007	2	O-Ring D. 57X2,5		
6	13811002	1	Water Cooler Cover		
7	13211027	1	Water Inlet Bend		
8	13311006	4	Stud,cover		
9	51030008	4	Washer DIN 125-8		
10	53033008	8	Washer GROWER DIN 127-8		
11	54120008	4	Nut DIN 934 M8		
12	56000073	2	Copper Washer 16-23-1,5		
13	12111076	1	Plug		
14	54102306	1	Bolt DIN 933 M10-16 INOX.		
15	56000061	1	Washer 10-16-1,5		
16	13211035	1	Exhaust Manifold Outlet Bend		
17	17211042	1	Water Cooler Cover		
18	13811043	1	Engine Anode 29.5 mm M.8		
19	18011009	1	Anode Plug		
20	17111011	1	Elbow 1 1/8"		
21	56000057	6	Washer 8-13-1,5		
22	54101323	6	Bolt DIN 931 M8-140 Inox.		
23	15113043	1	Exhaust Elbow Gasket		
24	17317033	1	Sensor Spacer		
25	52103260	4	Bolt DIN 912 M8-35 8.8		
26	56000077	1	Washer 18-23-1,5		
27	19411027	1	Plug		



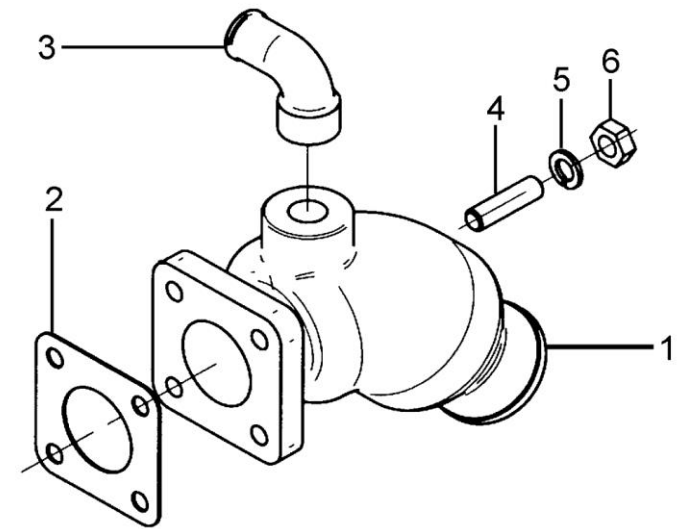
[NP] Not provided



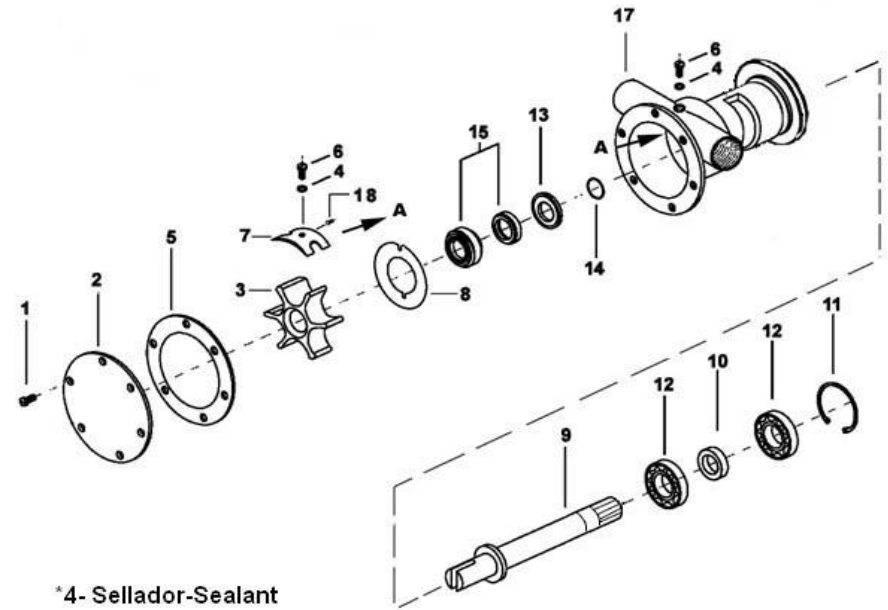
17211001C		Body, Water Cooler And Cap				
FIG.	REF.	QTY	DESCR.	FROM	UPTO	
1	17211001	1	Body, Water Cooler			
2	13811010	1	Cap			
3	12113092	1	Plug			
4	56000061	1	Washer 10-16-1,5			
5	54102306	1	Bolt DIN 933 M10-16 INOX.			
6	56000073	1	Copper Washer 16-23-1,5			
7	12111076	1	Plug			
8	17111060	1	Plate "SOLE Diesel"			
9	17111062	2	Bolt			



D_GC01_3_5		Wet Exhaust				
FIG.	REF.	QTY	DESCR.	FROM	UPTO	
1	17013015G	1	Elbow,WET Exhaust			
2	15113043	1	Exhaust Elbow Gasket			
3	17211028	1	Water Bend			
4	13311006	4	Stud,cover			
5	53033008	4	Washer GROWER DIN 127-8			
6	52120008	4	Nut DIN 934 M8 8.8			



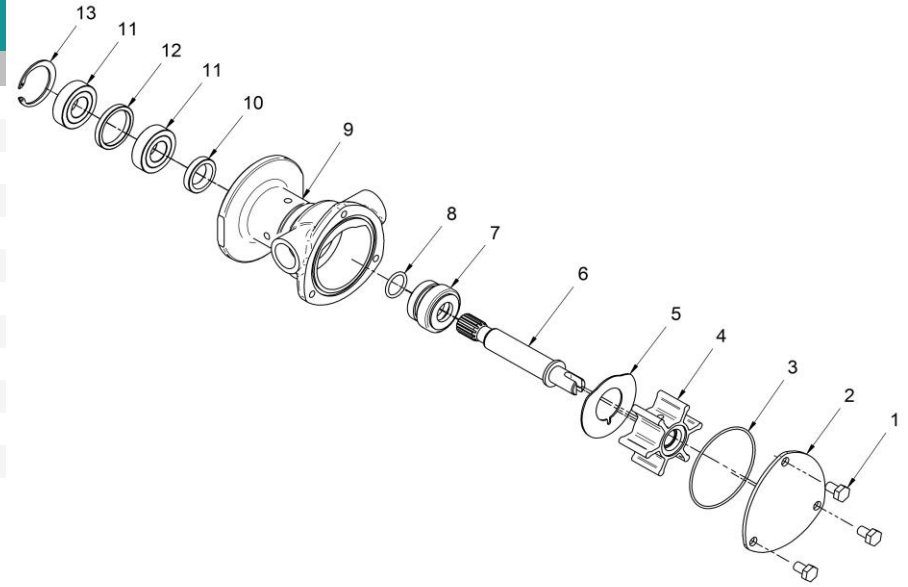
33811000		1/2" Pump Water, Set			
FIG.	REF.	QTY	DESCR.	FROM	UPTO
1	54102104	6	Bolt DIN 933 M5-10 INOX.		
2	31211002	1	Cover Pump		
3	31211008	1	1/2" Impeller		
5	31211003	1	Gasket Cover		
6	55307105	1	Bolt DIN 86 W3/16-13		
7	31211005	1	Cam		
8	33411026	1	Wearplate		
9	33811010	1	Shaft,Water Pump		
10	33811015	1	Spacer		
11	53041032	1	CIRClip DIN 472 I-32		
12	33411014	2	Ball Bearing 6002-C3		
13	33411020	1	Seal		
14	33311013	1	O-Ring D. 15X2		
15	33411019	1	Seal		
17	33811001	1	Body,Water Pump [NP]		
18	33411017	1	Pin,Dowel		



[NP] Not provided

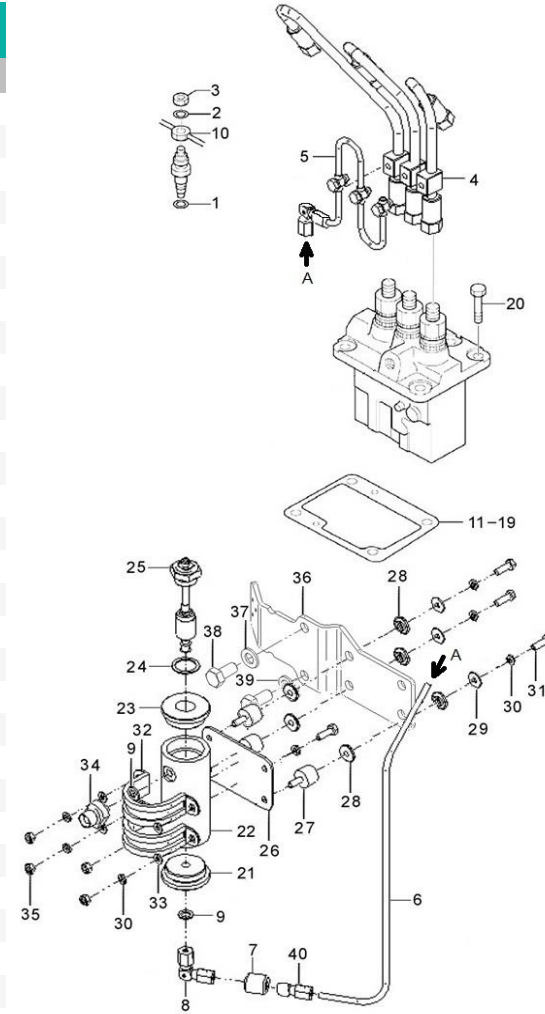


37611000		Splined Pump 1/2" MINI-11/17/29/33/44			
FIG.	REF.	QTY	DESCR.	FROM	UPTO
1	54102154	3	Bolt DIN 933 M6-10 INOX		
2	37611002	1	Cover Pump		
3	37611003	1	O-Ring D. 57x1,5		01/06/2022
4	31211008	1	1/2" Impeller		
5	37611026	1	Plate, Friction		
6	33811010	1	Shaft, Water Pump		
7	33411019	1	Seal		
8	33311013	1	O-Ring D. 15X2		
9	37611001	1	Body, Water Pump 1/2"		
10	33411020	1	Seal		
11	33411014	2	Ball Bearing 6002-C3		
12	33811015	1	Spacer		
13	53041032	1	CIRClip DIN 472 I-32		





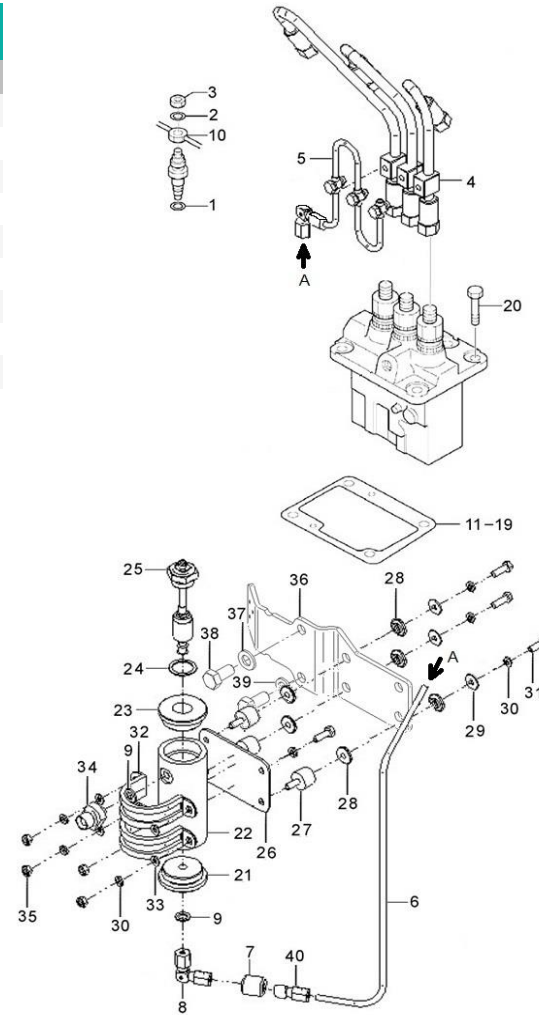
D_MI33GSTDN_04_1		Fuel Pipe And Fuel Leak Alarm																																																																																																																				
FIG.	REF.	QTY	DESCR.	FROM	UPTO																																																																																																																	
1	13824013	3	Injector Washer																																																																																																																			
2	17424025G.1	3	Gasket Fuel Return (Genset)																																																																																																																			
3	13824024	3	Nut																																																																																																																			
4	17224100R	1	Kit Injection Pipes 2nd Wall																																																																																																																			
5	17214039	1	Fuel Pipe																																																																																																																			
6	17214040	1	Fuel Pipe																																																																																																																			
7	17A14029	1	1/8-28 To M10 Thread Adaptator																																																																																																																			
8	17712007	1	Elbow 1/8" GAS																																																																																																																			
9	56000061	2	Washer 10-16-1,5																																																																																																																			
10	17224002.4G	1	Fuel Return																																																																																																																			
11	13624003	0	Shim Adjusting T=0,2mm [VAR]																																																																																																																			
12	17224004.4	0	Shim Adjusting T=0,3mm [VAR]																																																																																																																			
13	13624005	0	Shim Adjusting T=0,4mm [VAR]																																																																																																																			
14	17224006	0	Shim Adjusting T=0,5mm [VAR]																																																																																																																			
15	17224007	0	Shim Adjusting T=0,6mm [VAR]																																																																																																																			
16	17224008	0 <td Shim Adjusting T=0,7mm [VAR]			17	13624009	0	Shim Adjusting T=0,8mm [VAR]			18	17224010	0	Shim Adjusting T=0,9mm [VAR]			19	17224011	0	Shim Adjusting T=1,0mm [VAR]			20	52102257	4	Bolt DIN 933 M8-20 8.8			21	17517009.4	1	Lower cover			22	17517009.2	1	Tube			23	17517009.3	1	Cover, Upper			24	56000086	1	Washer 22,3-29-1,5			25A	17517009.1	1	Fuel Leak Switch 12V			<i>Figure A for 12V System</i>						25B	17517017.1	1	Fuel Leak Switch 24V			<i>Figure b for 24V System</i>						26	17517009.6	1	Alarm Bracket			27	17414009	3	Anti Vibration Mount			28	17A17011	6	Bakelite Bushing			29	51031006	3	Washer DIN 9021 6			30	53033006	7	Washer GROWER DIN 127-6			31	52102157	3	Bolt DIN 933 M6-20 8.8			32	59072482	2	Clamp 2 48/20 W1		
17	13624009	0	Shim Adjusting T=0,8mm [VAR]																																																																																																																			
18	17224010	0	Shim Adjusting T=0,9mm [VAR]																																																																																																																			
19	17224011	0	Shim Adjusting T=1,0mm [VAR]																																																																																																																			
20	52102257	4	Bolt DIN 933 M8-20 8.8																																																																																																																			
21	17517009.4	1	Lower cover																																																																																																																			
22	17517009.2	1	Tube																																																																																																																			
23	17517009.3	1	Cover, Upper																																																																																																																			
24	56000086	1	Washer 22,3-29-1,5																																																																																																																			
25A	17517009.1	1	Fuel Leak Switch 12V																																																																																																																			
<i>Figure A for 12V System</i>																																																																																																																						
25B	17517017.1	1	Fuel Leak Switch 24V																																																																																																																			
<i>Figure b for 24V System</i>																																																																																																																						
26	17517009.6	1	Alarm Bracket																																																																																																																			
27	17414009	3	Anti Vibration Mount																																																																																																																			
28	17A17011	6	Bakelite Bushing																																																																																																																			
29	51031006	3	Washer DIN 9021 6																																																																																																																			
30	53033006	7	Washer GROWER DIN 127-6																																																																																																																			
31	52102157	3	Bolt DIN 933 M6-20 8.8																																																																																																																			
32	59072482	2	Clamp 2 48/20 W1																																																																																																																			



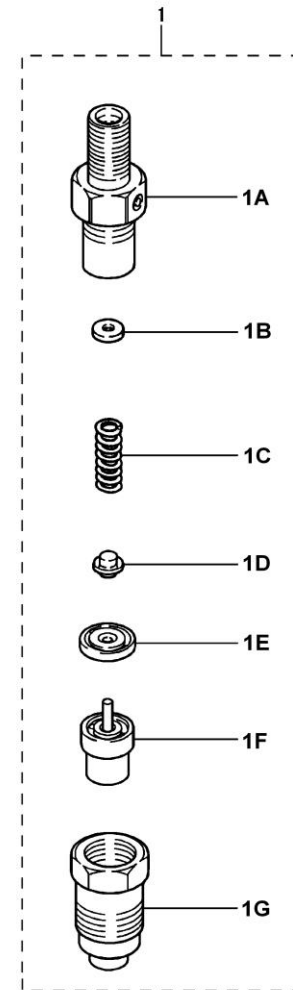
[NS] Not shown

[VAR] Variable according to repair

D_MI33GSTDN_04_1		Fuel Pipe And Fuel Leak Alarm			
FIG.	REF.	QTY	DESCR.	FROM	UPTO
33	51030006	4	Washer DIN 125-6		
34	17B14032	1	Fitting 1/8 - 3/8 Nylon		
35	52120006	4	Nut DIN 934 M6 8.8		
36	17217027	1	Sensor Sopport		
37	51030012	1	Washer DIN 125-12		
38	52102358	2	Bolt DIN 933 M12-25 8.8		
39	53033012	1	Washer Grower DIN 127-12		
40	19414028	1	P-GEV 6LR 1/8		
NS	19424101	1	Spray stop kit [NS]		



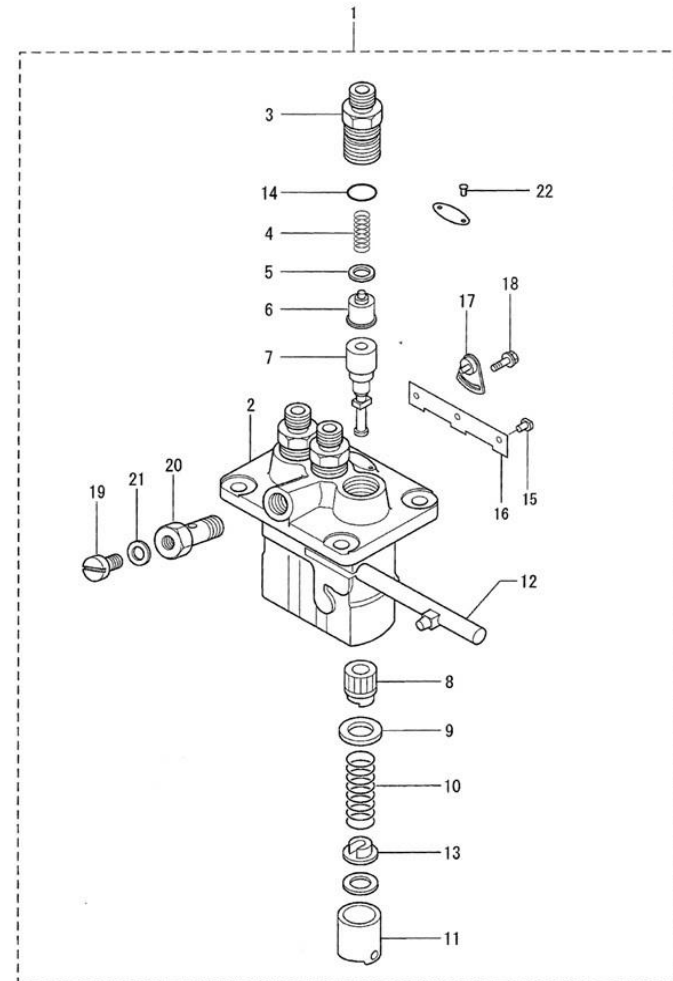
D_GC01_4_2		Injection Nozzle				
FIG.	REF.	QTY	DESCR.	FROM	UPTO	
1	13826001	3	Nozzle & Holder A			
1A	13826002	3	Body Assy			
1BAA	13826010	0	Washer 1,25 [VAR]			
1BAB	13826011	0	Washer 1,30 [VAR]			
1BAC	13826012	0	Washer 1,35 [VAR]			
1BAD	13826013	0	Washer 1,40 [VAR]			
1BAE	13826014	0	Washer 1,45 [NP] [VAR]			
1BAF	13826015	0	Washer 1,50 [VAR]			
1BAG	13826016	0	Washer 1,55 [VAR]			
1BAH	13826017	0	Washer 1,60 [VAR]			
1BAI	13826019	0	Washer 1,65 [VAR]			
1BAJ	13826020	0	Washer 1,70 [VAR]			
1C	17226004	3	Spring, Pressure [NP]			
1D	13826003	3	Pin Pressure			
1E	13826007	3	PIECE DISTANCE		07/01/2020	
1F	13826018	3	Nozzle Assy			
1G	17226009	3	Nut			



[NP] Not provided

[VAR] Variable according to repair

D_GC01_4_3		Fuel Injection Pump			
FIG.	REF.	QTY	DESCR.	FROM	UPTO
1	17225001G	1	Pump Assy, Fuel Injection (Generator)		
2	17225005G	1	Housing Sub Assy		
3	17225004	3	Holder Delivery Valve		
4	13225002	3	Spring DELIVERY Valve		
5	13125007	3	Gasket DELIVERY V		
6	17225008G	3	Valve SUB-Assy (Generator)		
7	17225009G	3	Element SUB Assy (Generator)		
8	13125010	3	SLEEVE		
9	13125011	3	Seat Spring Upper		
10	13125012	3	Spring Plunger		
11	13125021	3	Tappet SUB Assy		
12	17225006	1	RACK Assy, Control		
13	13125013	3	Seat Spring LOWER		
14	13125033	3	O-Ring D. 15X2,5		
15	13125022	3	Pin Tappet Guide		
16	13625023	1	Plate		
17	13125030	2	Plate Assy Pressure		
19	17225026.3	1	Screw Air BLEEDER		
20	17225027.3	1	Screw HOLLOW		
21	17225025.3	1	Washer DRAIN Screw		
22	13125003	2	RIVET [NP]		

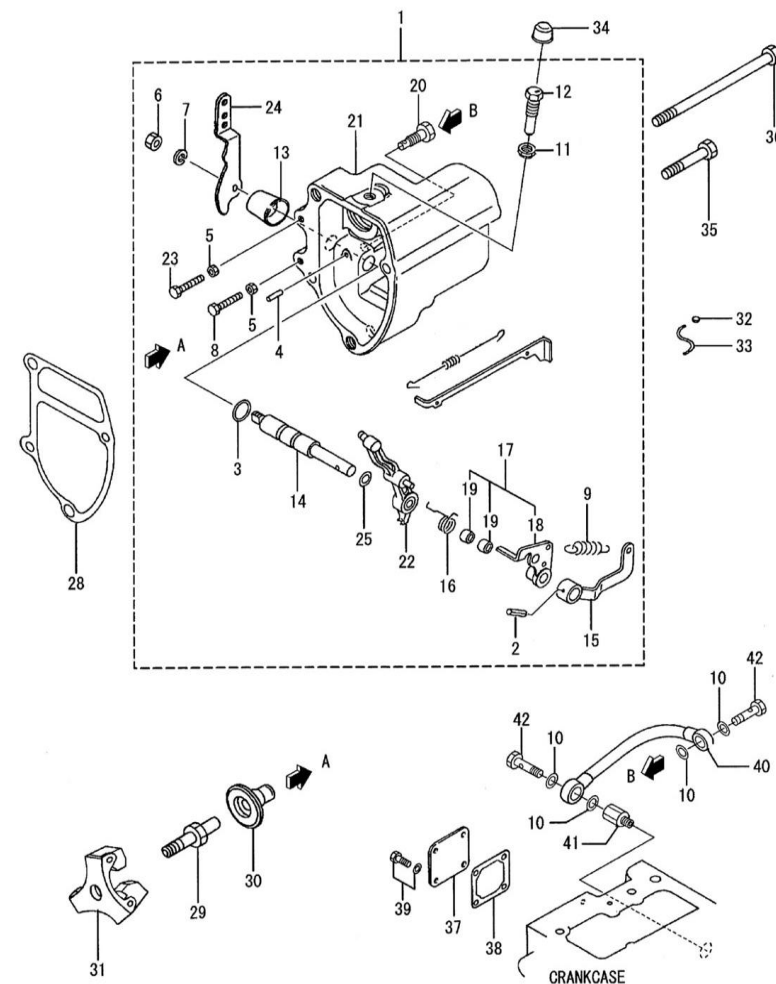


[NP] Not provided



**D\_MI33GSTDN\_04\_4 Governor Parts**

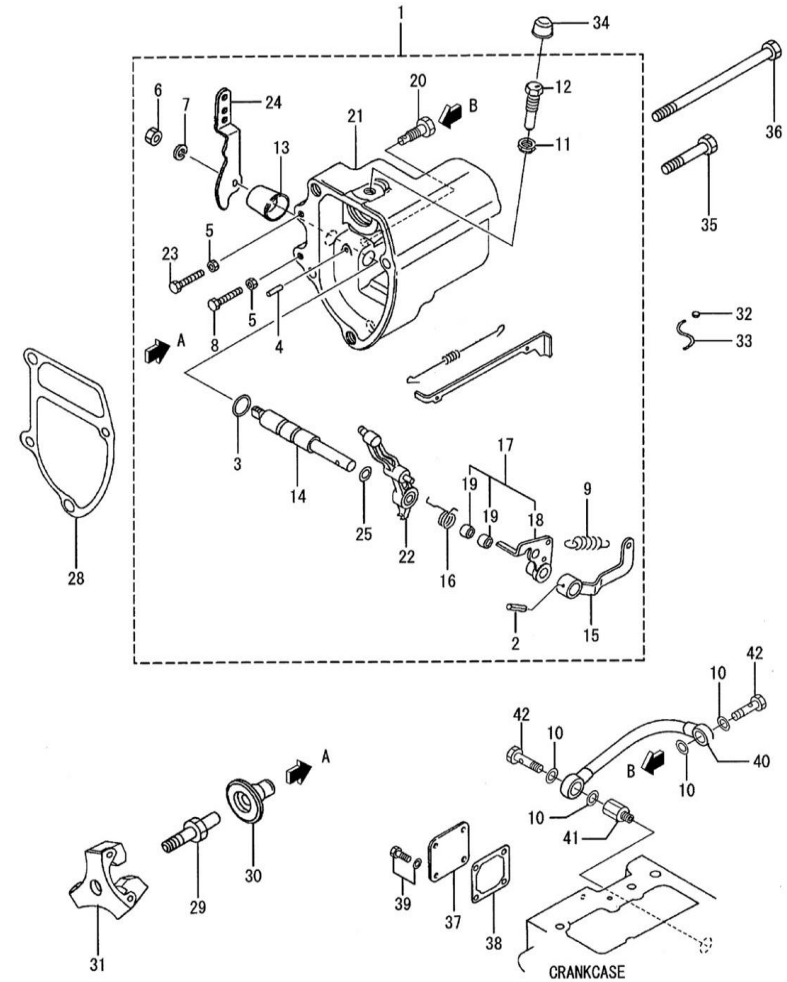
FIG.	REF.	QTY	DESCR.	FROM	UPTO
1	17223000G	1	Case Assy, GOverNOR (Generator)		
2	17223009	1	Pin, Spring		
3	17223046	1	O-Ring D. 10X2,5		
4	13123009	1	Pin GROOVED		
5	17223032	2	Nut		
6	17223030	1	Nut		
7	53033008	1	Washer GROWER DIN 127-8		
8	17223017	1	Bolt		
9	17223044G	1	Spring GOverNOR (Generator)		
10	(*)	2	Not available [NP]		
11	17223035	1	Nut		
12	13823034	1	RACK Set Screw (new)		
13	17223036	1	Cover, Governor		
14	17223006	1	Shaft, GOverNOR		
15	17223003	1	Lever, Governor		
16	17223028	1	Spring		
18	17223029	1	Lever Assy		
19	13220034	2	Roller Bearings		
20	17222020	1	Bolt		
21	17223019G	1	Case, GOverNOR		
22	17223007G	1	Lever, GOverNOR (Generator)		
23	17223025	1	Bolt Low Idle Set		
24	17223008.4G	1	Lever Assy speed		
25	17323047.4	1	Shim, Governor Shaft		
26	17223048	1	Lever TIE-ROD		
27	17223049	1	Spring TIE-ROD		
28	17223033	1	Gasket, Governor Case		
29	17223050	1	Shaft, SLIDING SLEEVE		
30	17223031G	1	SLEEVE, SLIDING (Generator)		
31	17223001G	1	WEIGHT Assy,GOverNOR (Generator)		
32	13123020	1	Shutter		
33	13123019	1	Metal Sealing		
34	13823042	1	Cap TORQUE Set SE		
35	17220034	3	Bolt		
36	17223052	1	Bolt, Governor Case		



[NP] Not provided



D_MI33GSTDN_04_4		Governor Parts			
FIG.	REF.	QTY	DESCR.	FROM	UPTO
37	17223043	1	Cover TIE-ROD		
38	13223014	1	Gasket Cover		
39	13802156	4	Bolt		
40	17224004G	1	Pipe,Oil		
41A	17322022	1	Adapter		
<i>Figure A for Standard System</i>					
41B	17322029	1	Adapter		
<i>Figure b for Parallel System</i>					
42A	17322020	2	VIS		
<i>Figure A for Standard System</i>					
42B	17322028	1	BOLT, EYE		
<i>Figure b for Parallel System</i>					
43	17322021	4	Gasket		

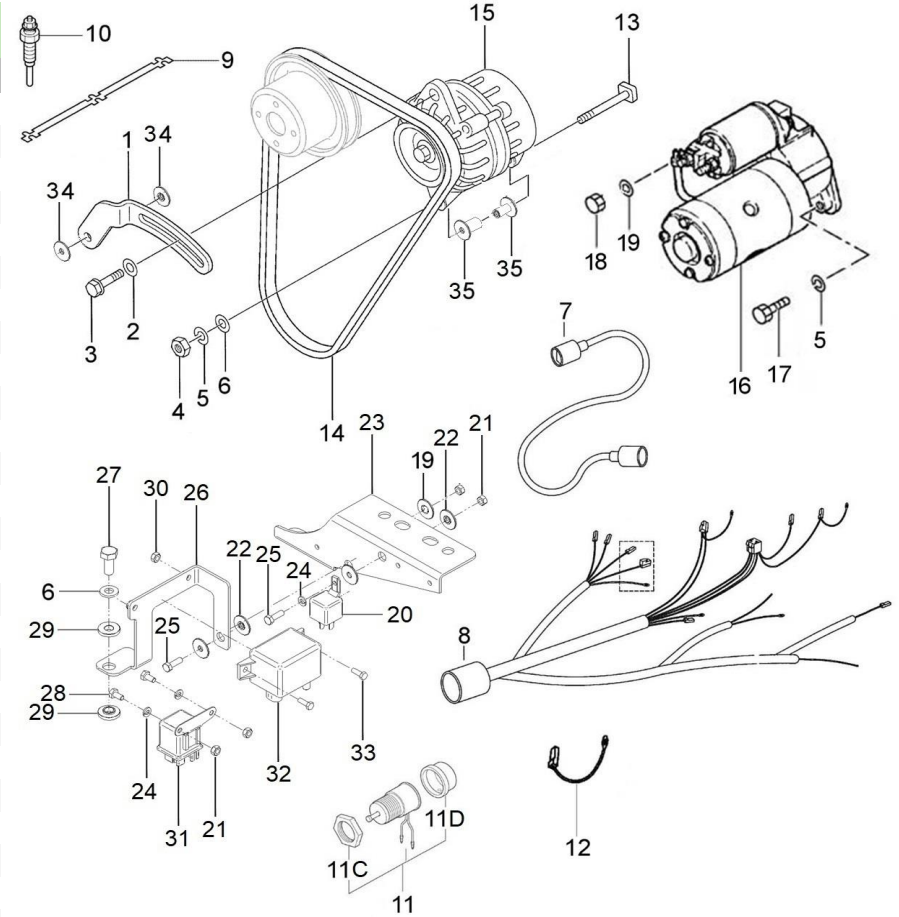








D_MI33GSTDN_05_1		Electrical System 12V			
FIG.	REF.	QTY	DESCR.	FROM	UPTO
1	17227007	1	Plate		
2	51031008	1	Washer DIN 9021 8		
3	13827012	1	Bolt		
4	17827003	1	Nut		
5	53033010	3	Washer GROWER DIN 127-10		
6	51030010	2	Washer DIN 125-10		
8	60973900	1	Elect. Inst. G. MINI-44 TAC		
9	17227018	1	Plate		
10	17127017	3	Plug, glow		
11A	17324026G	1	SOLENOID, Assy		
<i>Figure A for Standard System</i>					
11B	60972524	1	GAC Actuator L2E,L3E,S3L,S3L2,S4L,S4L2		
<i>Figure b for Parallel System</i>					
11C	13425029	1	Nut (old)		
11D	17324025G	1	SOLENOID		
12	60934040	1	Wirine		
13	17227070	1	Bolt, Alternator		
14	17221060G	1	V-Belt		
15	17227010	1	Alternator 12V/50A		
16	17227002	1	Starter Assy 12 V		
17	52202308	2	Screw DIN 961 8.8 M-10/1,25X25		
18	52120008	1	Nut DIN 934 M8 8.8		
19	51030008	2	Washer DIN 125-8		
20	18217005	1	Relay 12V 12-100		
21	54120006	4	Nut DIN 934 M6 INOX		
22	17417010	4	Bakelite Bushing		
23	17314032	1	Bracket, gasoil Filter		
24	53033006	2	Washer GROWER DIN 127-6		
25	52102157	2	Bolt DIN 933 M6-20 8.8		
26	17310046	1	Relay Bracket		
27	52102308	1	Bolt DIN 933 M10-25 8.8		
28	52102155	2	Bolt DIN 933 M6-12 8.8		
29	17117024	2	Bracket Bakelite Bushing		
30	51123005	2	Nut DIN 985 M5 5.6		
31	13827005	1	Glow Relay		

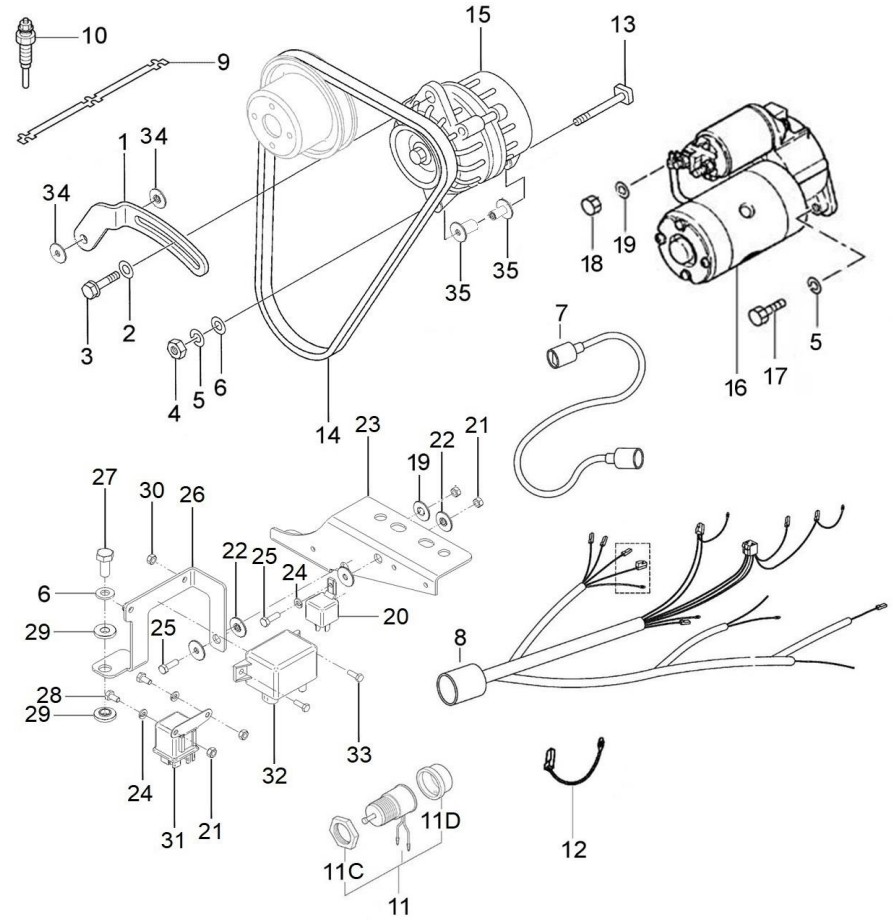


[NS] Not shown



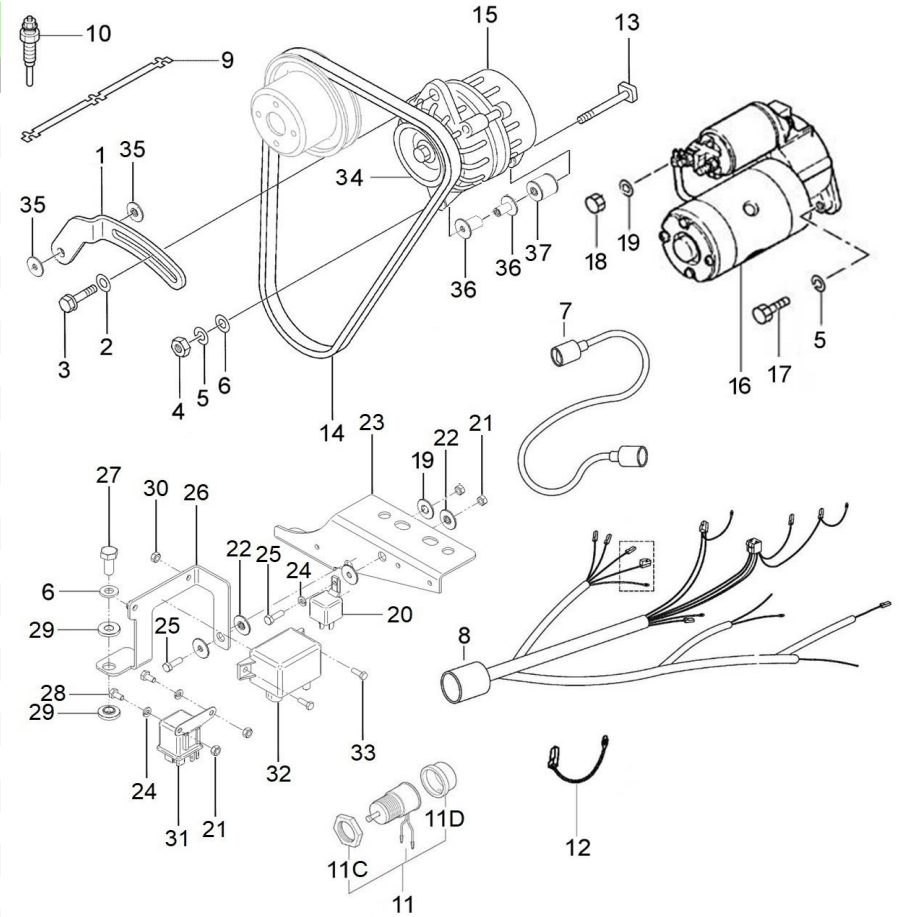


D_MI33GSTDN_05_1		Electrical System 12V			
FIG.	REF.	QTY	DESCR.	FROM	UPTO
32	19017113	1	Relay 12V Earth Isolated Nagares		
33	52102106	2	Bolt DIN 933 M5-15 8.8		
34	17217012	2	Tensor Bakelite Bushing		
35	17217011	2	Bracket Bakelite Bushing		
NS	60900028	2	Diode 25A. DS-1712A [NS]		





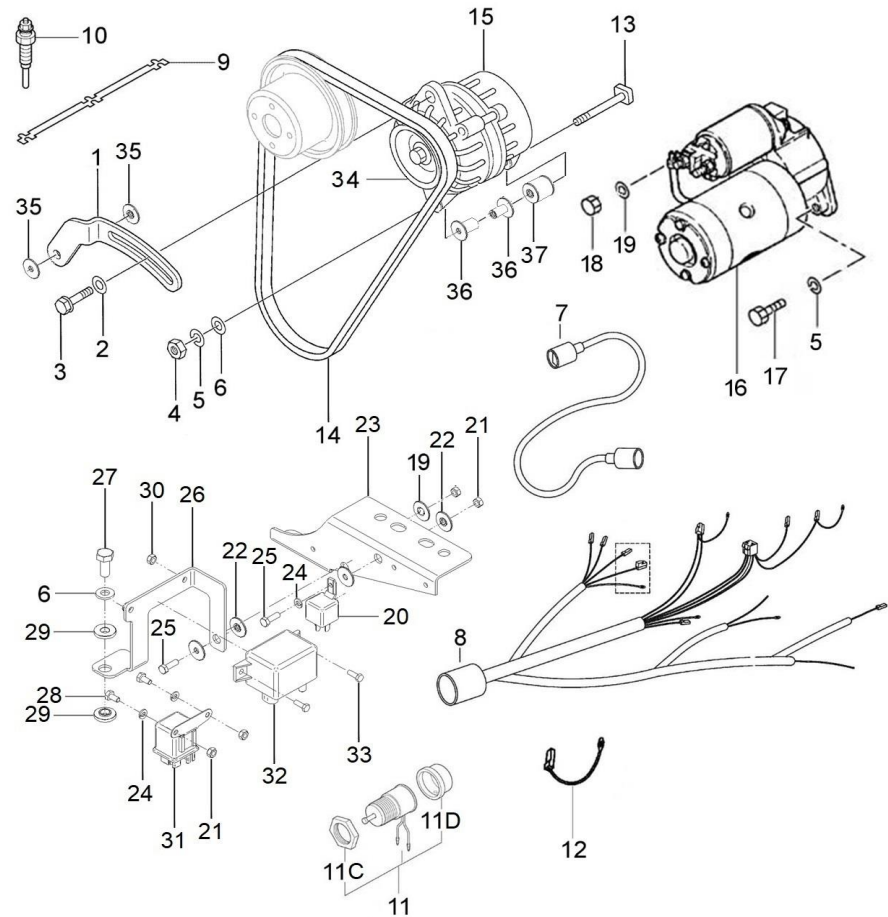
D_MI33GSTDN_05_2		Electrical System 24V			
FIG.	REF.	QTY	DESCR.	FROM	UPTO
1	17227007.1	1	Plate		
2	51031008	1	Washer DIN 9021 8		
3	13827012	1	Bolt		
4	17827003	1	Nut		
5	53033010	3	Washer GROWER DIN 127-10		
6	51030010	2	Washer DIN 125-10		
8	60973900	1	Elect. Inst. G. MINI-44 TAC		
9	17227018	1	Plate		
10	17227017.2	3	Glow Plug 24V		
11A	13824025.2G	1	Stop SOLENOID 24V-ETR		
<i>Figure A for Standard System</i>					
11C	13425029	1	Nut (old)		
11D	17324025G	1	SOLENOID		
12	60934040	1	Wirine		
13	17227070	1	Bolt, Alternator		
14	17021028	1	Belt Type SPZX 987		
15	17417024	1	Alternator 28V/55A		
16	17327001.2	1	Starter Assy 24V		
17	52202308	2	Screw DIN 961 8.8 M-10/1,25X25		
18	52120008	1	Nut DIN 934 M8 8.8		
19	51030008	2	Washer DIN 125-8		
20	17417005	1	Relay 24V 24-100		
21	54120006	4	Nut DIN 934 M6 INOX		
22	17417010	4	Bakelite Bushing		
23	17314032	1	Bracket, gasoil Filter		
24	53033006	2	Washer GROWER DIN 127-6		
25	52102157	2	Bolt DIN 933 M6-20 8.8		
26	17310046	1	Relay Bracket		
27	52102308	1	Bolt DIN 933 M10-25 8.8		
28	52102155	2	Bolt DIN 933 M6-12 8.8		
29	17117024	2	Bracket Bakelite Bushing		
30	51123005	2	Nut DIN 985 M5 5.6		
31	17527006	1	Glow Relay 24V		
32	19017114	1	Relay 24V Earth Isolated Nagares		
33	52102106	2	Bolt DIN 933 M5-15 8.8		



[NS] Not shown

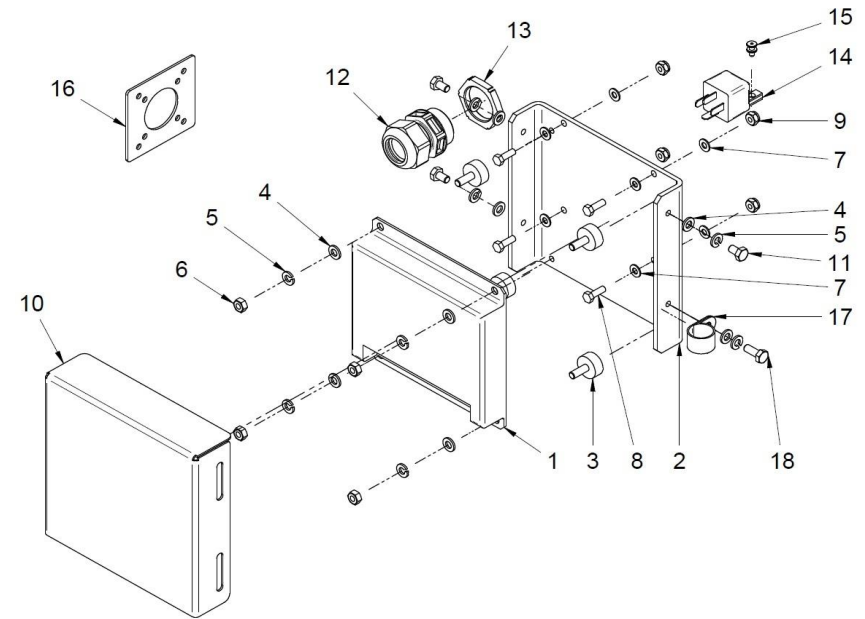


D_MI33GSTDN_05_2		Electrical System 24V			
FIG.	REF.	QTY	DESCR.	FROM	UPTO
34	17617003	1	Pulley Alternator		
35	17217012	2	Tensor Bakelite Bushing		
36	17217011	2	Bracket Bakelite Bushing		
37	17217020	1	Spacer 10,5X25X36		
NS	60900028	2	Diode 25A. DS-1712A [NS]		





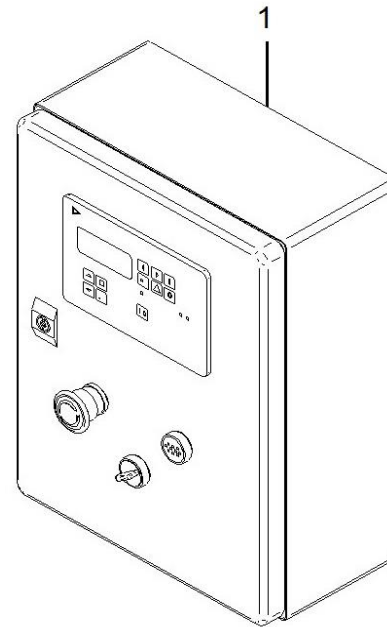
D_60971525		Parallel control system 12V			
FIG.	REF.	QTY	DESCR.	FROM	UPTO
1	60972525	1	Speed Control Unit G.A.C 5100 Low Inter.		
2	17317007	1	Electronic Unit Bracket		
3	17A14009	4	Anti Vibration Mount M6		
4	51030006	8	Washer DIN 125-6		
5	53033006	8	Washer GROWER DIN 127-6		
6	52120006	4	Nut DIN 934 M6 8.8		
7	51030005	8	Washer DIN 125-5		
8	52102106	4	Bolt DIN 933 M5-15 8.8		
9	51123005	4	Nut DIN 985 M5 5.6		
10	17317008	1	Parallel electronic unit cover		
11	52102154	3	Bolt DIN 933 M6-10 8.8		
12	60900310	1	Connector Press CAPTOR-2000 M32 RAL7001		
13	60900311	1	Screw Connector Press Captor-2000 M32		
14	63900028	1	Relay 12V 20/30A NO+NC		
15	51058054	1	Aluminium Rivet 4.0 X 10		
16	60573041.25G	1	Connector Adapter Parallel [NP]		
17	59071224	1	Clamp RSGU 1 22/15 W1		
18	52102156	1	Bolt DIN 933 M6-16 8.8		
NS	58088284	1	Pastic Cable Zip Tie [NS]		
NS	60900088	2	TERMINAL Female SUPERSEAL [NS]		
NS	60900089	2	SUPERSEAL male terminal [NS]		
NS	60900322	1	2 female channel connector SUPERSEAL [NS]		
NS	60900323	1	2 male channel connector SUPERSEAL [NS]		
NS	60900330	4	SUPERSEAL yello rubber protection [NS]		
NS	60972517	1	Connector for actuator Packard type [NS]		
NS	60972519	2	Magnetic Speed Sensor [NS]		
NS	60974223DNV	1	Auxiliary Installation Parallel TAC Genset [NS]		



[NP] Not provided  
 [NS] Not shown



D_MI33GSTDN_05_4		Control Cabinets				
FIG.	REF.	QTY	DESCR.	FROM	UPTO	
1A	6097A215	1	Box CO 40 17/25/35/45/50/68 GT TAC 12V			
1B	6097A220	1	Box CO 40 17/25/35/45/50/68 GT TAC 24V			
2A	60972761	1	Parallel Kit 11 GT 230V TAC Control and Power 12V			
2B	60972762	1	Parallel Kit 11 GT 400/230V TAC Control and Power 12V			
2C	60972763	1	Parallel Kit 14 GTA 240V TAC Control and Power 12V			
2D	60972764	1	Parallel Kit 14 GTA 480/277V TAC Control and Power 12V			
2E	60972760	1	Parallel Kit 10 GS 230V TAC Control and Power 12V			
2F	60972767	1	Parallel Kit 12 GSA 240V Control and Power 12V			





D_1138T		Genset Extension TAC			
FIG.	REF.	QTY	DESCR.	FROM	UPTO
1A	6097A216	1	Wiring Extension Genset TAC 6 M.		
1B	6097A218	1	Wiring Extension TAC Genset 12 M. CPC 37 V.		
1C	60974552	1	3-way Wiring Wxtension for Auxiliary Kits 4 m		
1D	60900165	1	3-way Wiring Extension for Auxiliary Kits 6 m		
1F	60900166	1	3-way Wiring Extension for Auxiliary Kits 12 m		
1G	60900167	1	3-way Wiring Extension for Auxiliary Kits 24 m		
1H	60972104	1	Double Panel SCO 12 M. Harness		
1I	60972105	1	Double Panel SCO 24 M. Harness		
1J	60972110	1	Double Panel SCO 36 M. Harness		
1K	60974227.12	1	AVR External Control Cable 12m.		
1L	60974228.12	1	ECU External Control Cable 12m.		
1M	60974227.24	1	AVR External Control Cable 24m.		
1N	60974228.24	1	ECU External Control Cable 24m.		





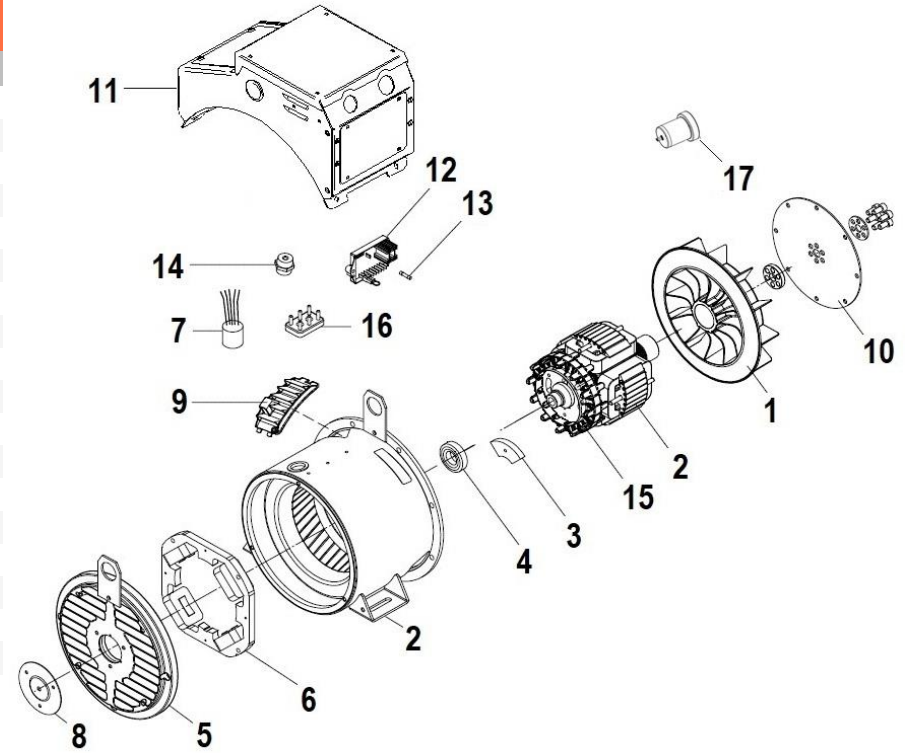
D_MI33GTDN_06_1		Alternator 11 GT/GTC and 14 GTA/GTAC			
FIG.	REF.	QTY	DESCR.	FROM	UPTO
1A	605113011ZOR	1	Sincro Alternator III 11KVA 1500RPM 400/230V Certificate (R)		
1B	605113011Z1R	1	Sincro Alternator III 11KVA 1500RPM 230V Certificate (R)		
1C	605123013ZOR	1	Sincro Alternator III 13,5KVA 1800RPM 480/277V Certificate (R)		
1D	605123013Z1R	1	Sincro Alternator III 13,5KVA 1800RPM 240V Certificate (R)		







D_MI33GSTDN_06_2 Alternator Spare Parts						
FIG.	REF.	QTY	DESCR.	FROM	UPTO	
1	60511317S.1	1	Fan SK160M- 4P			
2	(*)	1	Not available [NP]			
3	60574340.10	1	Diode Bridge SK160-S/C/L/M			
4	60511325S.1	1	Bearing 6206 2RS/C3			
5	60511107S.13	1	Rear Shield			
6	60511325S.2	1	Exciter stator SK160C-, M-, L-			
7	60511317S.2	1	EMC filter SK160SM-			
8	60511325S.3	1	Rear shield cover			
9	60511336S.03	1	IP23 Grid			
10	60511325S.4	1	Kit disks 7,5"			
11	17217033	1	DNV Special Alt. Box			
12	60511107S.35.1	1	Electronic Board AVR BL4 U			
13	60511336S.05	1	Fuse 5x20 3,15A F			
14A	60511325S.5	1	M6 insulator clamp			
14B	60511336S.02	1	M8 Insulator Clamp			
15	60511325S.6	1	Exc. rotor SK160C-, M-, L- 4P			
16A	60511325S.7	1	M6 terminal board			
16B	60511336S.04	1	M8 Terminal Board			
17	UMSINCRO1	1	SINCRO SK160 Special Tool			

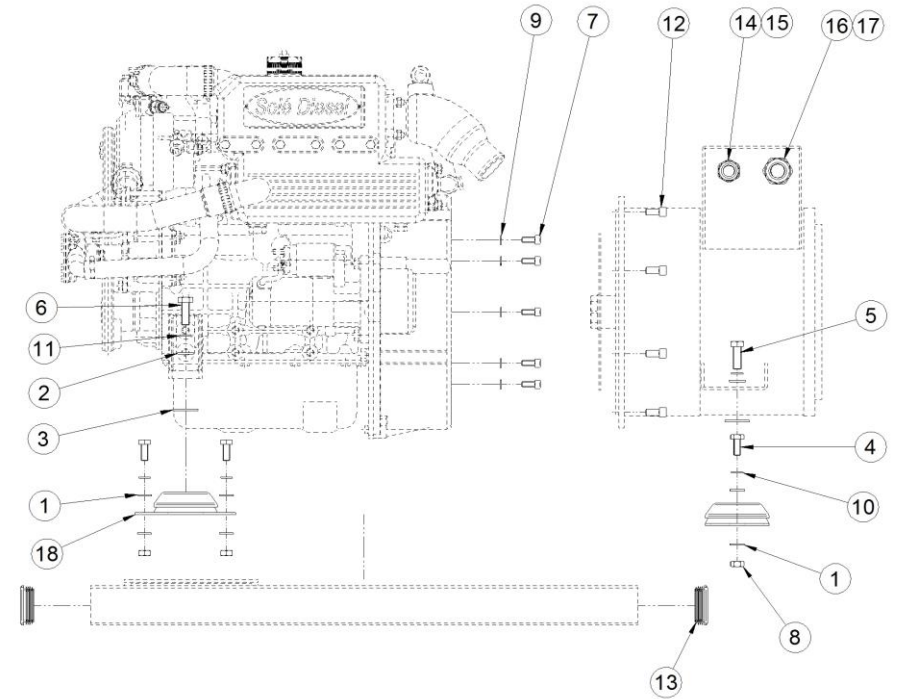


[NP] Not provided





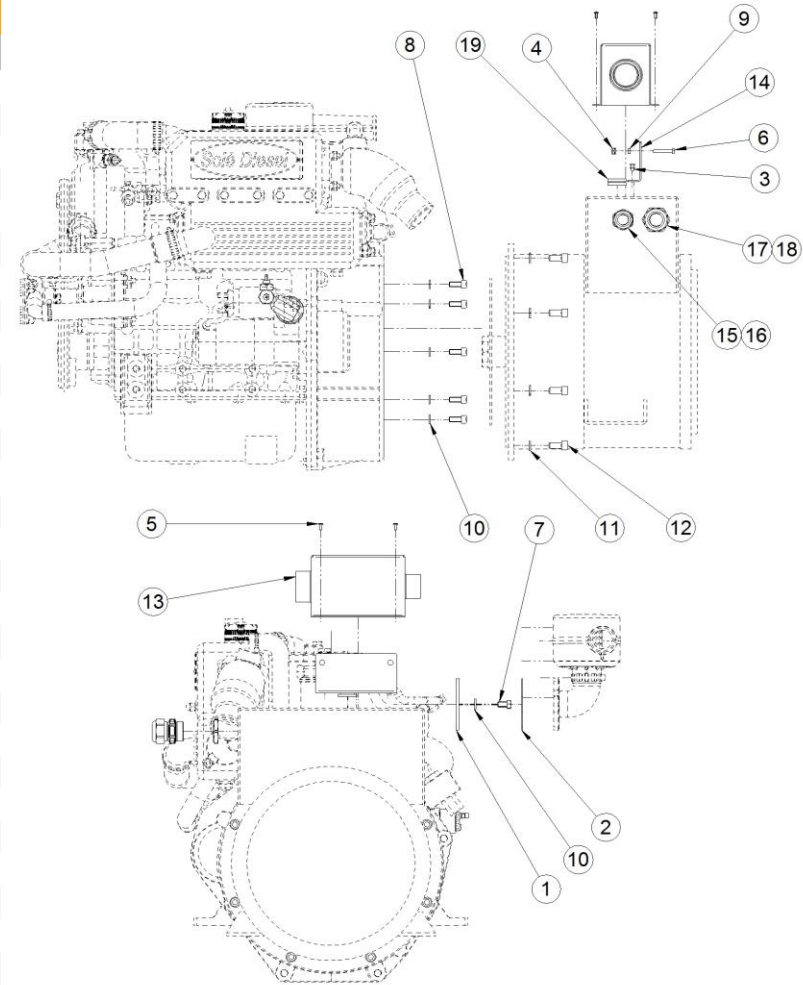
D_60572106 Alternator Kit Without Canopy						
FIG.	REF.	QTY	DESCR.	FROM	UPTO	
1	51030010	16	Washer DIN 125-10			
2	51030012	4	Washer DIN 125-12			
3	51031012	4	Washer DIN 9021 12			
4	52102307	8	Bolt DIN 933 M10-20 8.8			
5	52102359	2	Bolt DIN 933 M12-30 8.8			
6	52102360	2	Bolt DIN 933 M12-35 8.8			
7	52103257	8	Bolt DIN 912 M8-20 8.8			
8	52120010	8	Nut DIN 934 M10 8.8			
9	53033008	8	Washer GROWER DIN 127-8			
10	53033010	8	Washer GROWER DIN 127-10			
11	53033012	4	Washer Grower DIN 127-12			
12	60539017	8	ALT. SINCR0 FASTENING Bolt			
13	60539019	4	LID (60 Tube)			
14	60900306	1	Connector Press CAPTOR-2000 M25 RAL7001			
15	60900309	1	Screw Connector Press Captor-2000 M25			
16	60900310	1	Connector Press CAPTOR-2000 M32 RAL7001			
17	60900311	1	Screw Connector Press Captor-2000 M32			
18	61673001	4	Engine Mount Type F 35 SHA M12 H 34			
NS	53104257	4	Bolt DIN 7984 M8-20 12.9 [NS]			
NS	58088282	4	Pastic Cable Zip Tie [NS]			
NS	60511112S.81	2	16 mm Hexagon Plug [NS] [NP]			
NS	60900158	1	Terminal Tubular Sleeve (1.5) [NS]			
NS	TR.1.5.8	4	Ring Terminal 1.5 Sec. [NS]			



[NP] Not provided  
 [NS] Not shown



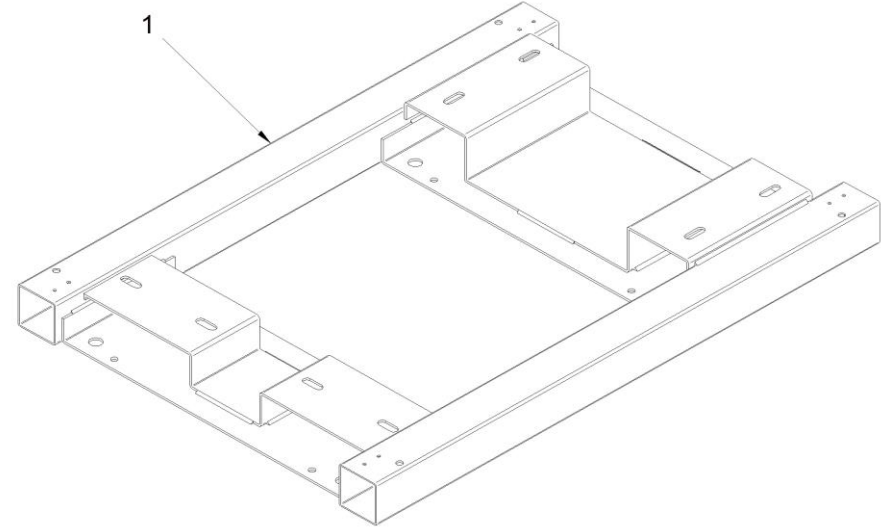
D_60572062 Alternator Kit Without Canopy						
FIG.	REF.	QTY	DESCR.	FROM	UPTO	
0	51058054	4	Aluminium Rivet 4.0 X 10			
1	17210029	1	Air Elbow Flange			
2	17221034	1	Gasket, Inlet Pipe			
4	51123005	4	Nut DIN 985 M5 5.6			
5	51918054	4	Bolt DIN 7981C 3,5-9,5			
6	52102110	2	Bolt DIN 933 M5-30 8.8 CINCADO			
7	52102256	2	Bolt DIN 933 M8-16 8.8			
8	52103257	8	Bolt DIN 912 M8-20 8.8			
9	52120005	2	Nut DIN 934 M5 8.8			
10	53033008	14	Washer GROWER DIN 127-8			
11	53033010	8	Washer GROWER DIN 127-10			
12	60539017	8	ALT. SINCRO FASTENING Bolt			
13	60573041.71	1	REGULATOR Bracket Box			
14	60573041.72	1	VOLT REGULATOR Bracket Box			
15	60900306	1	Connector Press CAPTOR-2000 M25 RAL7001			
16	60900309	1	Screw Connector Press Captor-2000 M25			
17	60900310	1	Connector Press CAPTOR-2000 M32 RAL7001			
18	60900311	1	Screw Connector Press Captor-2000 M32			
19	60900517	1	Cover,wiring			
NS	51030005	8	Washer DIN 125-5 [NS]			
NS	52102104	2	Bolt DIN 933 M5-10 8.8 [NS]			
NS	53104257	4	Bolt DIN 7984 M8-20 12.9 [NS]			
NS	60900510	1	Emergency Stop PUSH BOTTOM [NS]			
NS	60900511	1	Stop PUSH BOTTOM Body [NS]			
NS	60972072A	1	N BLUE Breaker TO ALT. SYStem [NS]			
NS	60972072G	1	W GRAY Breaker TO ALT. SYStem [NS]			
NS	60972072M	1	V BROWN Breaker TO ALT. SYStem [NS]			
NS	60972072N	1	U BLACK Breaker TO ALT. SYStem [NS]			
NS	60972085	1	FOUR PoleS 16A DISConnector [NS]			



[NS] Not shown

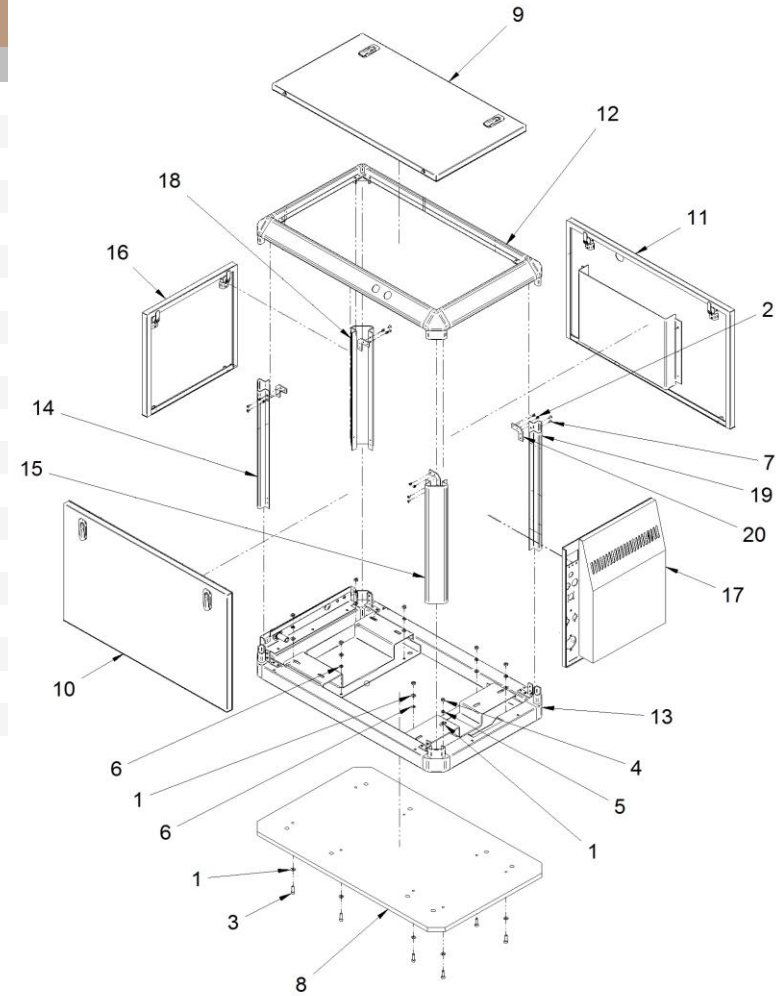


D_60572041.01		Genset Chassis				
FIG.	REF.	QTY	DESCR.	FROM	UPTO	
1	60572041.01	1	Genset CHASSIS			



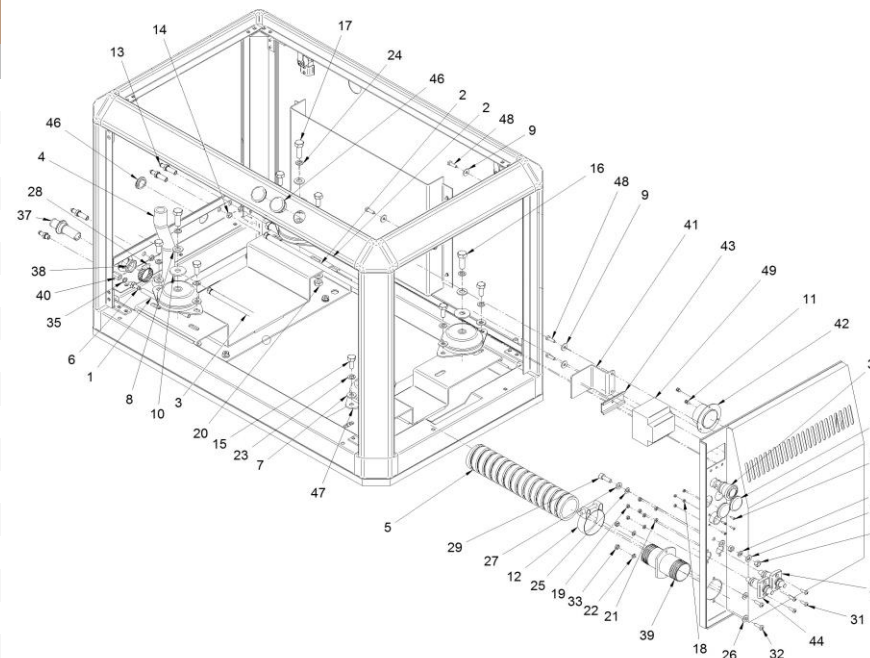


D_AWGC_4_1		Cabin				
FIG.	REF.	QTY	DESCR.	FROM	UPTO	
1	51030008	16	Washer DIN 125-8			
2	51058054	24	Aluminium Rivet 4.0 X 10			
3	52103258	8	Bolt DIN 912 M8-25 8.8			
4	52120008	8	Nut DIN 934 M8 8.8			
5	53033008	6	Washer GROWER DIN 127-8			
6	53038008	2	Washer DIN 6798-A 8			
7	53105104	8	Bolt DIN 7991 M5-10 12.9			
8	60572041.10	1	BASEBOARD			
9	60572041.20	1	Upper Panel			
10	60572041.21	1	Side Panel			
11	60572041.22	1	Air Output Panel			
12	60572041.30	1	Upper FRAME			
13	60572041.61	1	BOTTOM FRAME			
14	60573041.03	1	VERTICAL BAR			
15	60573041.04	1	VERTICAL BAR			
16	60573041.24	1	Front Panel			
17	60573041.25A	1	Back Panel			
18	60573041.31	1	VERTICAL BAR			
19	60573041.32	1	Vertical Bar			
20	60573041.43	4	L Fastening Bracket			





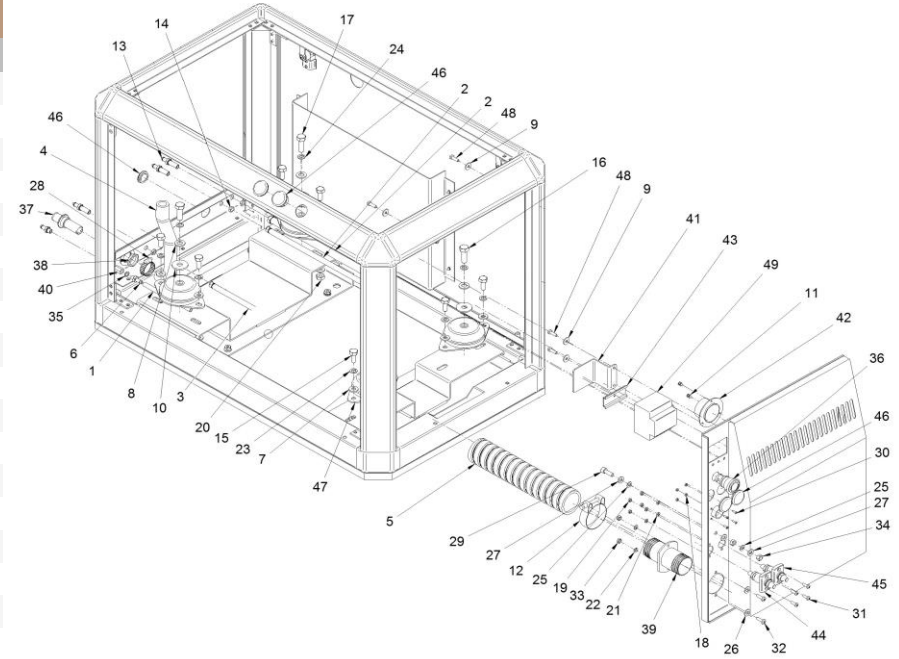
D_MI33GTDN_09_2		Alternator Kit With Canopy			
FIG.	REF.	QTY	DESCR.	FROM	UPTO
1	M80501006	1	Hose D.10-6 [NP]		
2	19414011	2	Fuel Hose		
3	17214011	1	Fuel Hose		
4	M88501928	0,4	Water Intake Hose DNV D. 19-28 [NP]		
5	M88505062	0,7	Exhaust Hose D. 51		
6	13814072	2	Straight Hose Connector 1/8" NPTF		
7	51030010	16	Washer DIN 125-10		
8	51030012	5	Washer DIN 125-12		
9	51031006	4	Washer DIN 9021 6		
10	51031012	4	Washer DIN 9021 12		
11	51058054	3	Aluminium Rivet 4.0 X 10		
12	51083060	2	GP Clamp 59-63 W2		
13	19414030	3	STRAIGHT COUPLING 3/8		
14	19414031	3	BOLT 3/8		
15	52102307	8	Bolt DIN 933 M10-20 8.8		
16	52102360	2	Bolt DIN 933 M12-35 8.8		
17	52102361	2	Bolt DIN 933 M12-40 8.8		
18	52120003	4	Nut DIN 934 M3 8.8		
19	52120005	4	Nut DIN 934 M5 8.8		
20	52120010	8	Nut DIN 934 M10 8.8		
21	53033005	4	Washer GROWER DIN 127-5		
22	53033006	2	Washer GROWER DIN 127-6		
23	53033010	8	Washer GROWER DIN 127-10		
24	53033012	4	Washer Grower DIN 127-12		
25	53038008	3	Washer DIN 6798-A 8		
26	54030006	2	Washer DIN 125-6 INOX.		
27	54030008	3	Washer DIN 125-8 INOX.		
28	54082025	2	Clamp DIN 3017 25-40/12 W4		
29	54103258	1	Bolt DIN 912 M8-25 INOX.		
30	54118004	4	Bolt DIN 7985 M3-10 INOX		
31	54118106	4	Bolt DIN 7985 M5-16 INOX		
32	54118157	2	Bolt DIN 7985 M6-20 INOX		
33	54120006	2	Nut DIN 934 M6 INOX		
34	54120008	2	Nut DIN 934 M8		
35	57000361	3	Washer 10-14-1,5		



[NP] Not provided  
 [NS] Not shown

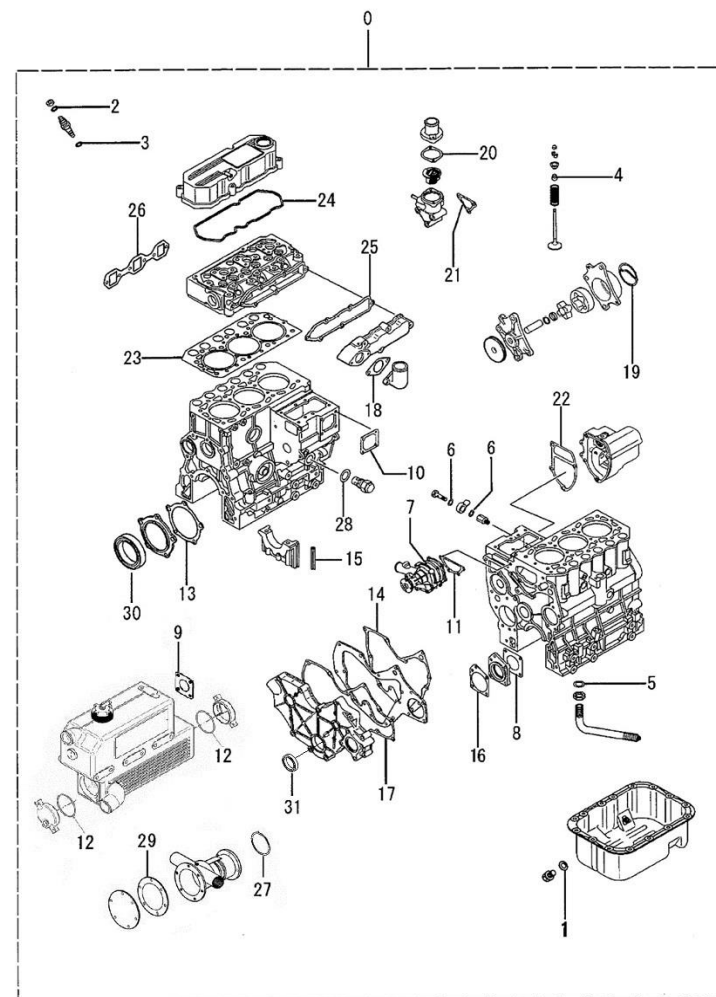


D_MI33GTDN_09_2		Alternator Kit With Canopy			
FIG.	REF.	QTY	DESCR.	FROM	UPTO
36	60900510	1	Emergency Stop PUSH BOTTOM		
37	60572014	1	Water Wall Bushing D.20		
38	60572014.1	1	3/4" GAS Nut		
39	60573014	1	Exhaust Wall PASS D.50		
40	60573041.39	2	ROD Coupling 1/8 BSP		
41	60573041.42	1	L FASTENING Bracket With OMEGA		
42	60573041.46	1	Air Connection D.50		
43	60573041.64	1	Switch Disconnecter Omega Bracket		
44	60573047	1	Battery Plug IN		
45	60573048	1	Battery Plug IN		
46	60900508	5	Shutter 31		
47	61673001	4	Engine Mount Type F 35 SHA M12 H 34		
48	52102157	4	Bolt DIN 933 M6-20 8.8		
49	60972085	1	FOUR PoleS 16A DISConnector		
NS	52102254	1	Bolt DIN 933 M8-10 8.8 [NS]		
NS	52202357	1	Bolt DIN 933 M12-1,25-20 8.8 [NS]		
NS	53038012	1	Washer DIN 6798-A 12 [NS]		
NS	54081016	4	Clamp DIN 3017 16-27/9 W4 [NS]		
NS	54082032	4	Clamp DIN 3017 32-50/12 W4 [NS]		
NS	58018160	4	Screw [NS]		
NS	60573041.25G	1	Connector Adapter Parallel [NS] [NP]		
NS	60972073	1	0,25 M. CHASSIS TO MOTOR Wiring GROUND [NS]		
NS	60972074	1	0,44 M. Back Panel To Alt. Wiring Ground [NS]		
NS	60972090	2	TER. PROTECTIVE 20 RED [NS]		
NS	60972091	3	TER. PROTECTIVE 20 BLACK [NS]		
NS	60973048	1	BLACK Battery NEGATIVE Wiring [NS]		
NS	60973049	1	RED Battery POSITIVE Wiring [NS]		
NS	60975074	1	Panel Back 0,66 M. Wiring GROUND ALT. [NS]		
NS	M88564500	1	Air Aspiration Hose D. 45 [NS]		
NS	M88565000	0,6	Air Aspiration Hose D. 50 [NS]		





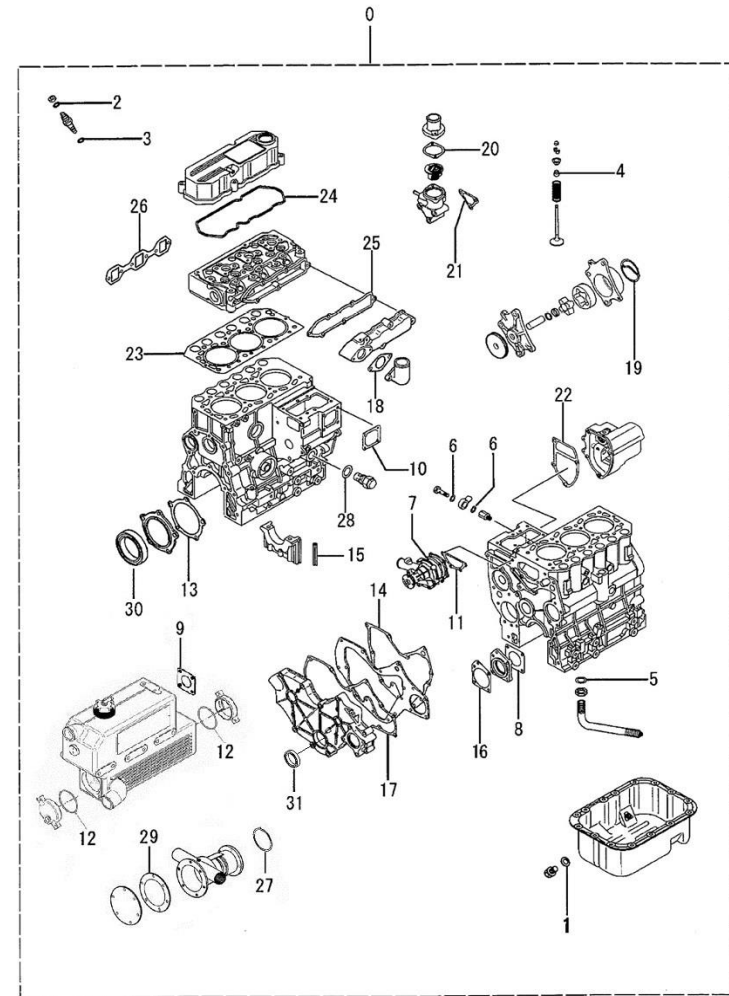
D_17220101G		Gasket Kit			
FIG.	REF.	QTY	DESCR.	FROM	UPTO
0	17220101G	1	Gasket Kit		
1	17420031	2	Gasket,Oil DRAIN		
2	17424025G.1	3	Gasket Fuel Return (Genset)		
3	13824013	3	Injector Washer		
4	13222054	6	Seal Valve Stem		
5	17024001	1	Gasket		
6	17322021	4	Gasket		
7	13221041	1	Gasket Water Pump		
8	13120047	1	Gasket Water Pump		
9	15113043	1	Exhaust Elbow Gasket		
10	13223014	1	Gasket Cover		
11	13221022	1	Gasket Water Pump		
12	13811007	2	O-Ring D. 57X2,5		
13	17220016	1	Gasket, Oil Seal Case		
14	17220018	1	Gasket, Front Plate		
15	17220002	4	Seal, Side		
16	17220038	1	Gasket, Housing		
17	17220040	1	Gasket, Gear Case		
18	17221034	1	Gasket, Inlet Pipe		
19	17224041	1	Packing, Body		
20	17221031	1	Gasket,Thermostat		
21	17221033	1	Gasket, Thermostat Case		
22	17223033	1	Gasket, Governor Case		
23	17221004	1	Gasket, Cylinder Head		
24	17221010	1	Gasket, Rocker Cover		
25	17221032	1	Gasket, Inlet Cover		
26	17221035	1	Gasket, Exhaust Manifold		
27	17011007	1	O-Ring D. 57X3		
29A	31211003	1	Gasket Cover		
29B	37611003	1	O-Ring D. 57x1,5		01/06/2022
29B	37611005	1	O-Ring D. 57X1,78	02/06/2022	
30	17220063	1	Seal, Oil		
31	13220039	1	Seal Oil		
NS	13224059	1	O-Ring D. 19X2,4 [NS]		
NS	13821038	1	O-Ring D. 9X2 [NS]		



[NS] Not shown



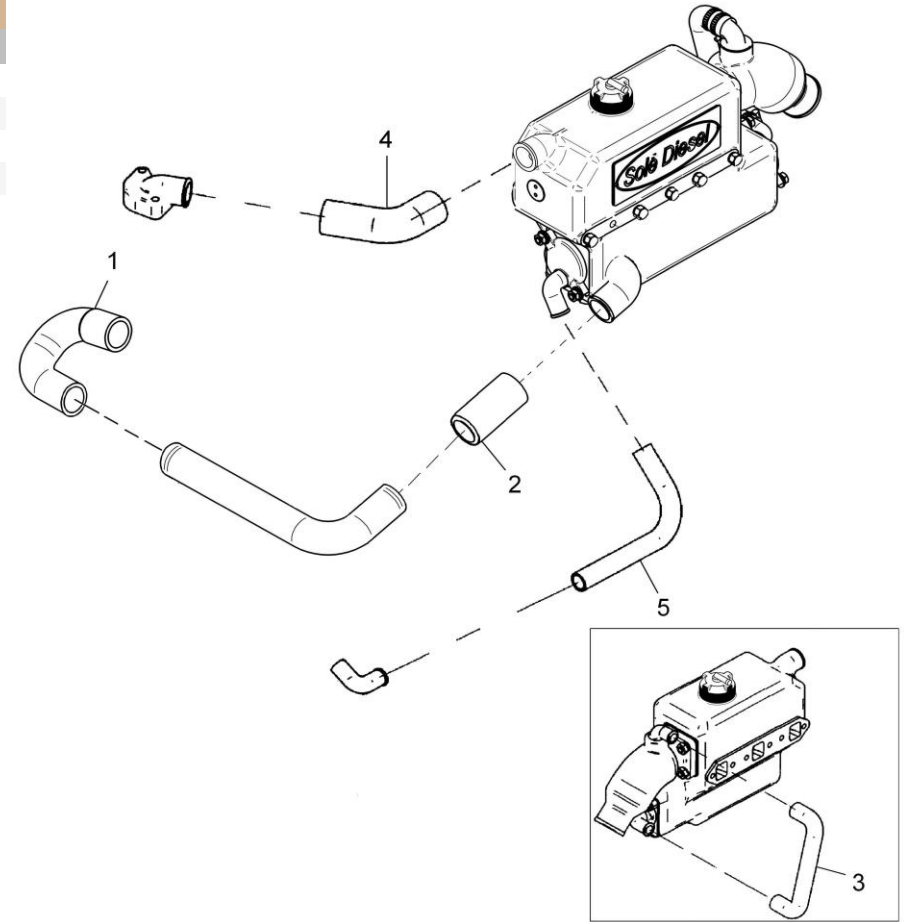
D_17220101G		Gasket Kit			
FIG.	REF.	QTY	DESCR.	FROM	UPTO
NS	17120074	1	Gasket [NS]		
NS	17124055	1	O-Ring D. 65X3 [NS]		
NS	17720042	1	Gasket,REAR Plate [NS]		
NS	17724084	1	PROTECTOR,Oil Inlet [NS]		
NS	17727003	1	Gasket,STARTER [NS]		



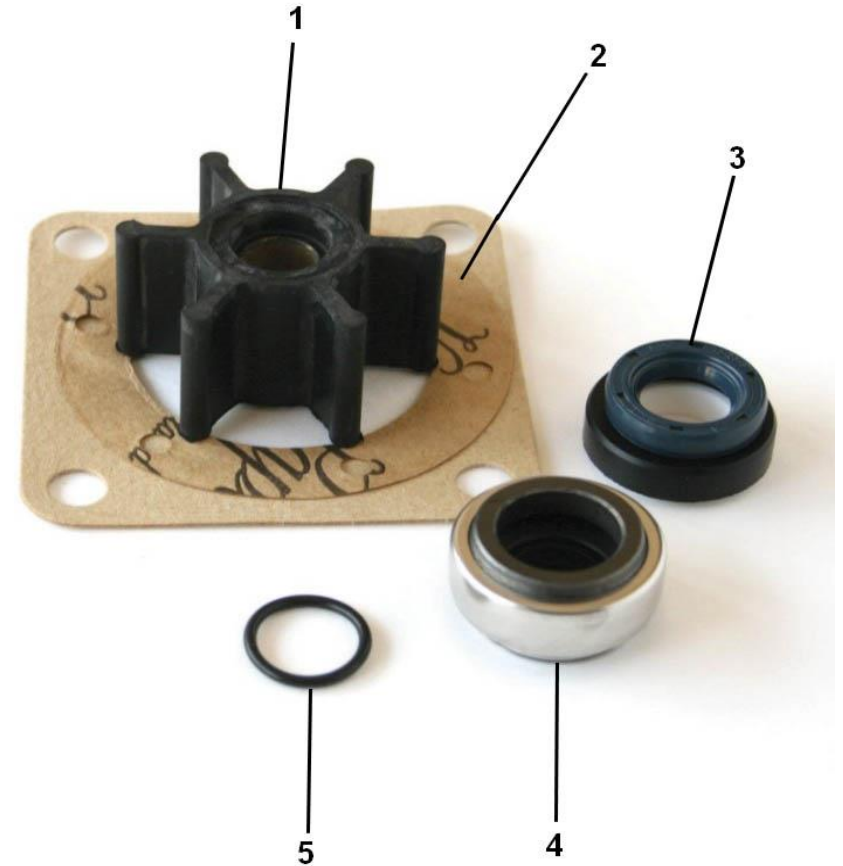




17211101		Pipe Rubber Set, Water Line TAC				
FIG.	REF.	QTY	DESCR.	FROM	UPTO	
1	19411034	1	Pipe, Rubber			
2	15211053	1	Pipe 38-50-100			
3	17211034	1	Rubber WET Exhaust Inlet BEND			
4	17211021	1	Elbow			
5	17011012	1	Elbow			



33811000K		Repair Kit Water Pump 1/2"				
FIG.	REF.	QTY	DESCR.	FROM	UPTO	
1	31211008	1	1/2" Impeller			
2	31211003	1	Gasket Cover			
3	33411020	1	Seal			
4	33411019	1	Seal			
5	33311013	1	O-Ring D. 15X2			
NS	17011007	1	O-Ring D. 57X3 [NS]			



[NS] Not shown

37611000K		Repair Kit Water Pump 1/2"				
FIG.	REF.	QTY	DESCR.	FROM	UPTO	
1	31211008	1	1/2" Impeller			
2	37611003	1	O-Ring D. 57x1,5		01/06/2022	
2	37611005	1	O-Ring D. 57X1,78	02/06/2022		
3	33411020	1	Seal			
4	33411019	1	Seal			
5	33311013	1	O-Ring D. 15X2			
NS	17011007	1	O-Ring D. 57X3 [NS]			



[NS] Not shown



D_UTILFA1228_1		Special Tools				
FIG.	REF.	QTY	DESCR.	FROM	UPTO	
1	UMM74007	1	Piston Ring Pliers			
2	U31A9100100	1	Piston pin setting tool			
3	UST332270	1	Compression Gauge Adapter			
4	UST332340	1	Camshaft Bushing Installer			

