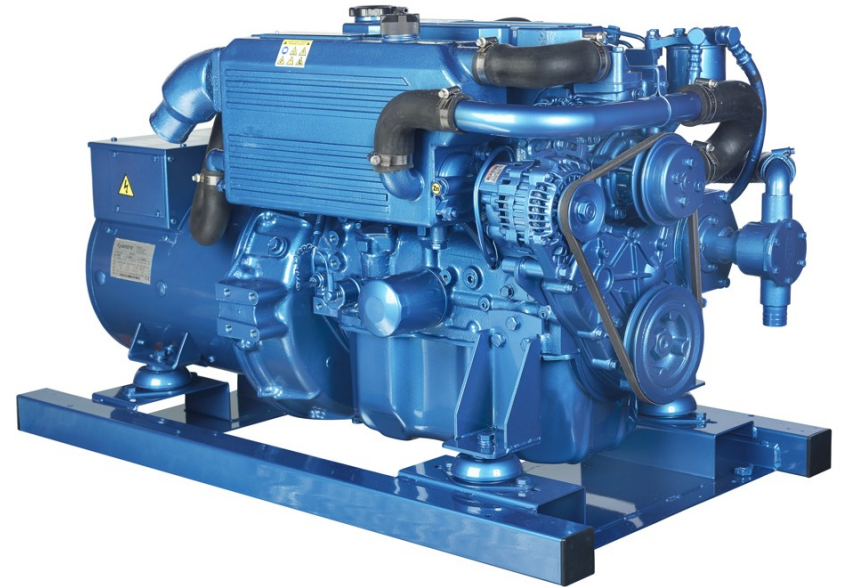




Genset 25 GT/GTC & 30 GTA/GTAC Type Approval Certificate

VERSION 2024-3

PART LIST



PARTS LIST CATALOGUE

NORMS TO PLACE AN ORDER

For fast and more efficient service, please specify the following information on spare parts orders that must be preferably done by e-mail as specified below:

- 1- Engine model: As shown in identification plate
- 2- Engine serial number: As shown in identification plate and stamped on crankcase
- 3- Item description + part number + quantity required

Spare parts requests must be addressed to :

orders@solediesel.com

Telf.: +34 93 775 44 05

The components shown in the catalog have:

- Figure: Number by which they are represented in scheme
- Description: Trade name of the component
- Quantity: Total number of parts used in the assembly of the part represented (may differ from the total minimum quantities)

Hoses, indicates the total length in meters

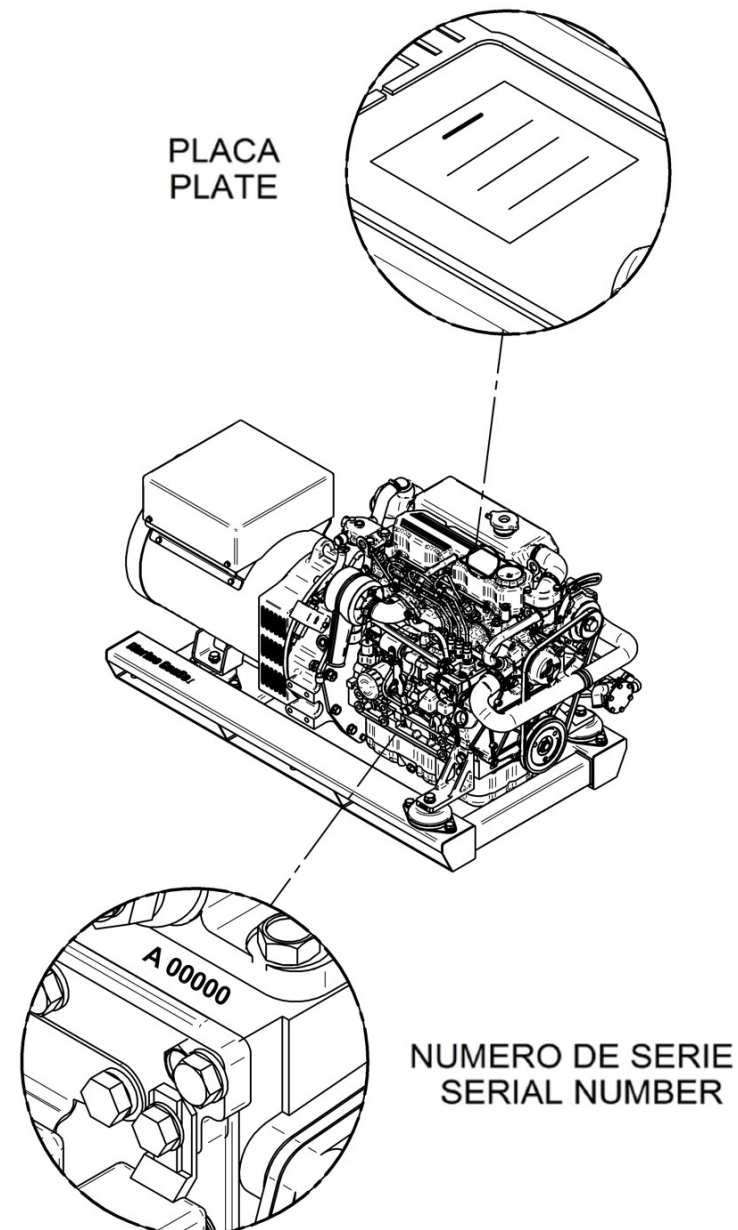
The diagrams shown in this catalog of spare parts, have only the purpose to identify the piece in question, its representation is not meaningful and may differ from the actual piece.

In case of doubt, contact Solé Diesel, or your authorized dealer.

The parts i / or references in this catalog are subject to change without notice.

SOLE, S.A.

C-243b, km, 2 - P.O. BOX 25
08760 Martorell (Barcelona) Spain



Index

Engine Body

- Cylinder Head
- Rocker Cover & Breather
- Valve Drive
- Timing Parts
- Gear Case
- Crankcase
- Flywheel Housing
- Piston & Connectiong Rod
- Crankshaft & Flywheel
- Oil System
- Oil Pan
- Engine Brackets
- Drive Belt Guard For Genset Without Canopy

Inlet & Exhaust

- Inlet

Cooling System

- Water Pump
- Cooler Pipes
- Water Cooler Assy MINI-63
- Body, Water Cooler And Cap
- Cross Brace Pump from 74 to 616
- Wet Exhaust

Fuel System

- Fuel Pipe And Fuel Leak Alarm
- Injection Nozzle
- Fuel Injection Pump
- Governor Parts
- Governor
- Fuel Supply Parts
- Feed Pump

Electrical System

- Electrical System 12V
- Electrical System 24V
- Parallel control system 12V
- Parallel control system 24V
- Control Cabinets
- Genset Extension TAC

Genset Alternator Spare Parts

- Alternator 25 GT/GTC and 30 GTA/GTAC TAC

Genset Alternator Kit

- Alternator Spare Parts
- Alternator Kit Without Canopy
- Alternator Kit With Canopy 400/230V y 480/277V
- Alternator Kit With Canopy 230V y 240V

Chassis Spare Parts

- Chassis

Canopy Spare Parts

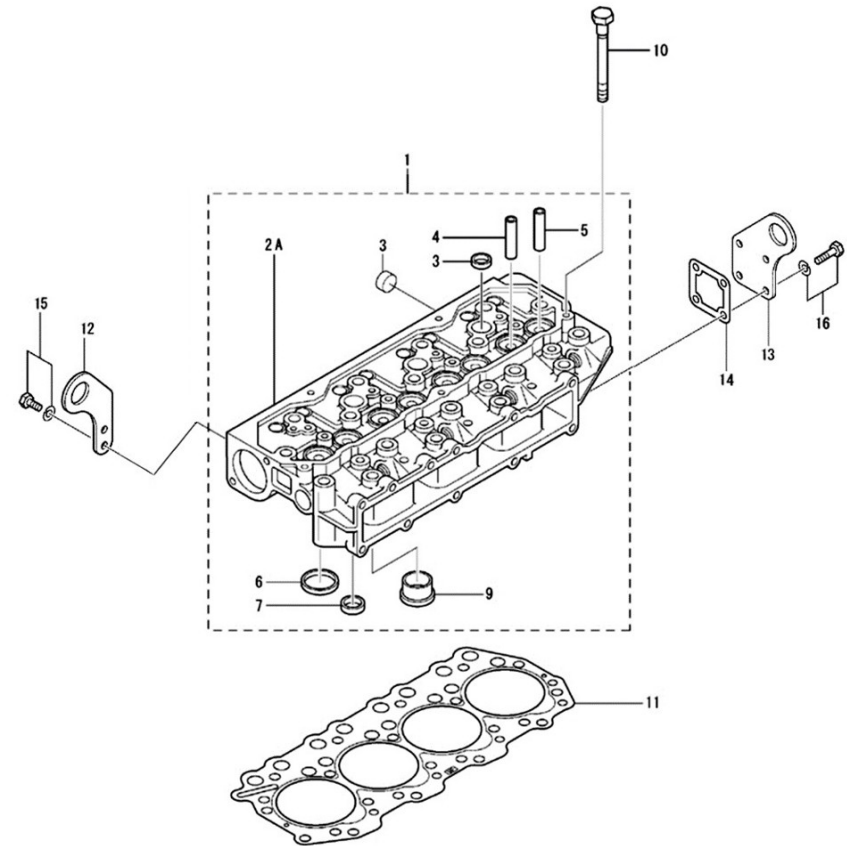
- Cabin
- Canopy Kit

Maintenance Kit

- Gasket Kit
- Pipe Rubber Set MINI-63 Genset TAC
- Gasket Kit
- Repair Kit Water Pump 1"
- Special Tools

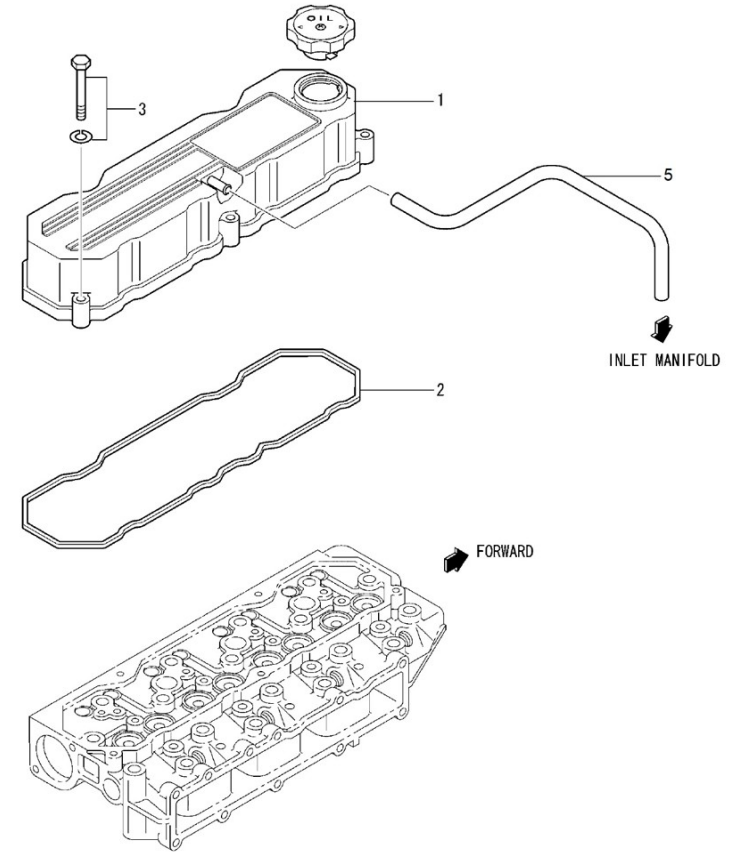
D_GK01_1_1 Cylinder Head

Fig.	Ref.	Qty.	Descr.	Obs	From	UpTo
1	17121001G	1	Head Assy,Cylinder			
3	13220012	7	Cap Sealing			
4	17421002	4	Guide,Valve			
5	17121003	4	Guide, valve-Exhaust			
6	17121061	4	INSERT, in			
7	17121062	4	INSERT, exh.			
9	17121015G	4	JET,COMBUSTION			
10	17121005	18	Bolt,cylinder head			
11	17121004	1	Gasket, cyl.head			
12	17120014	1	EYE,LIFTING,Front			
13	17121018	1	EYE, lifting re			
14	17121011	1	Gasket, head			
15	17422037G.1	2	Bolt W/Washer (Generator)			
16	17721012	4	Bolt,W/Washer			



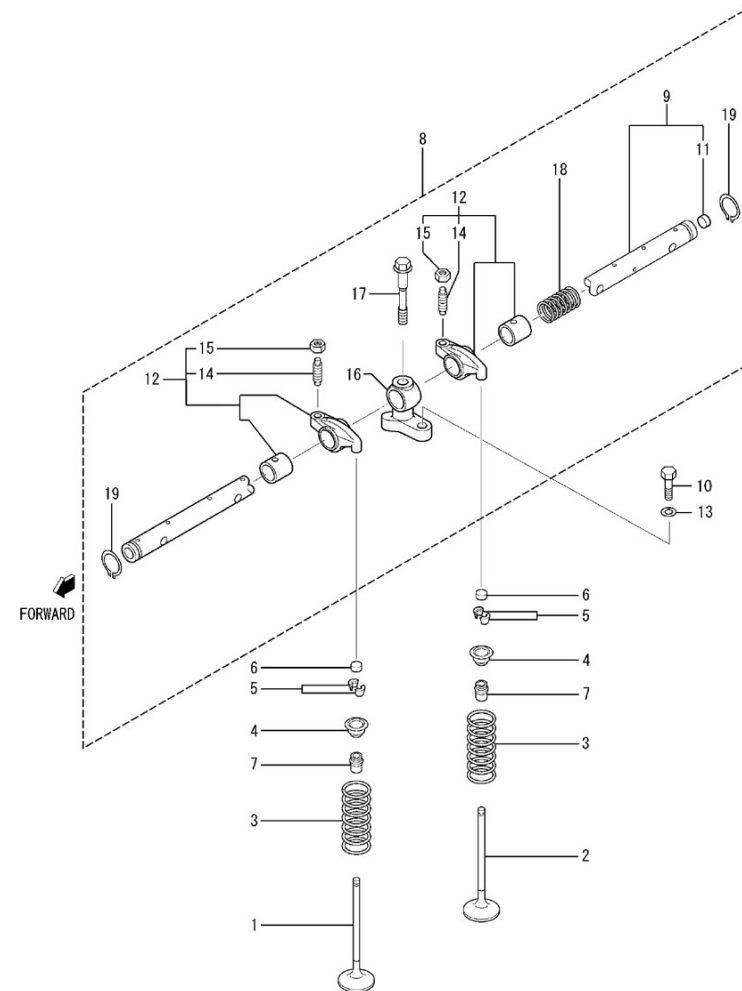
D_GK01_1_2 **Rocker Cover & Breather**

Fig.	Ref.	Qty.	Descr.	Obs	From	UpTo
1	17121009	1	Cover Assy,Rocker			
2	17121010	1	Rocker Cover Gasket			
3	17421014G.1	5	Bolt W/Washer (Generator)			
4	13221003	1	Cap Oil FILLER			
5	17121006G	1	Hose BREATHER			



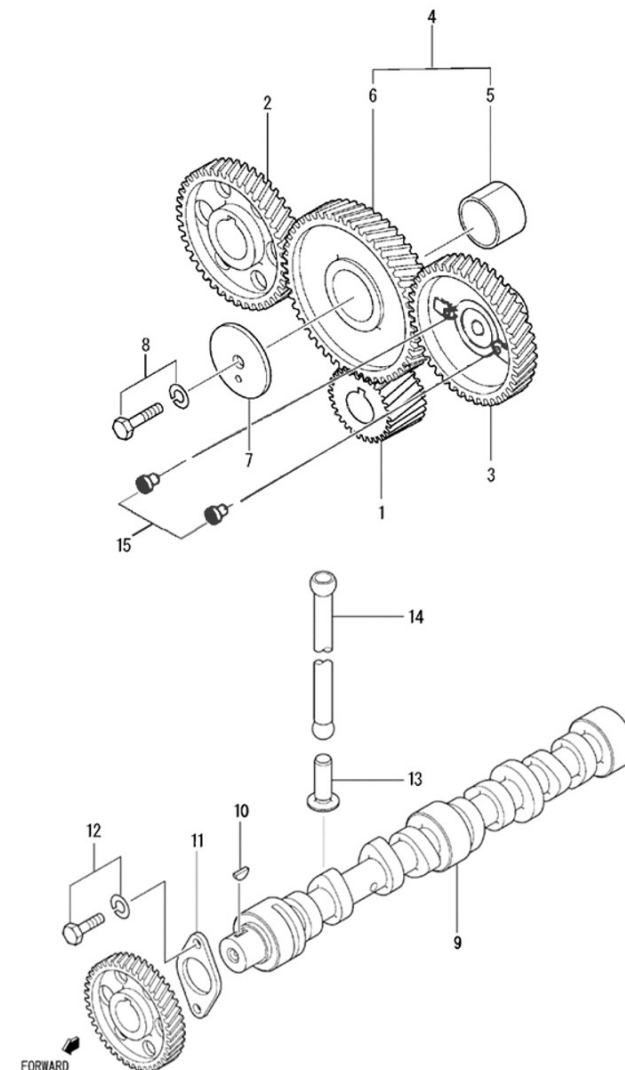
D_GK01_1_3 Valve Drive

Fig.	Ref.	Qty.	Descr.	Obs	From	UpTo
1	17122055	4	Intake Valve			
2	17122056	4	Exhaust Valve			
3	13322028	8	Spring, valve outler			
4	17422058	8	Retainer, Upper			
5	17122059.1	16	Cotter, Valve			
6	13322024	8	Cap			
7	17122054	8	Seal, Valve Stem			
8	(*)	8	Not available			
9	17122046	1	Shaft, Assy rocker			
10	52102258	4	Bolt DIN 933 M8-25 8.8			
11	13322023	2	Cap, Sealing			
12	17122142	8	Rocker, Assy			
13	53033008	4	Washer GROWER DIN 127-8			
14	17122044	8	Screw Adjusting			
15	17122060	8	Nut			
16	17122048	4	Bracket, rocker			
17	17122053	4	Bolt			
17	17222053.5G	4	Bolt			
18	17422047G.1	3	Spring, Rocker			
19	53040019	2	CIRClip DIN 471 E-19			



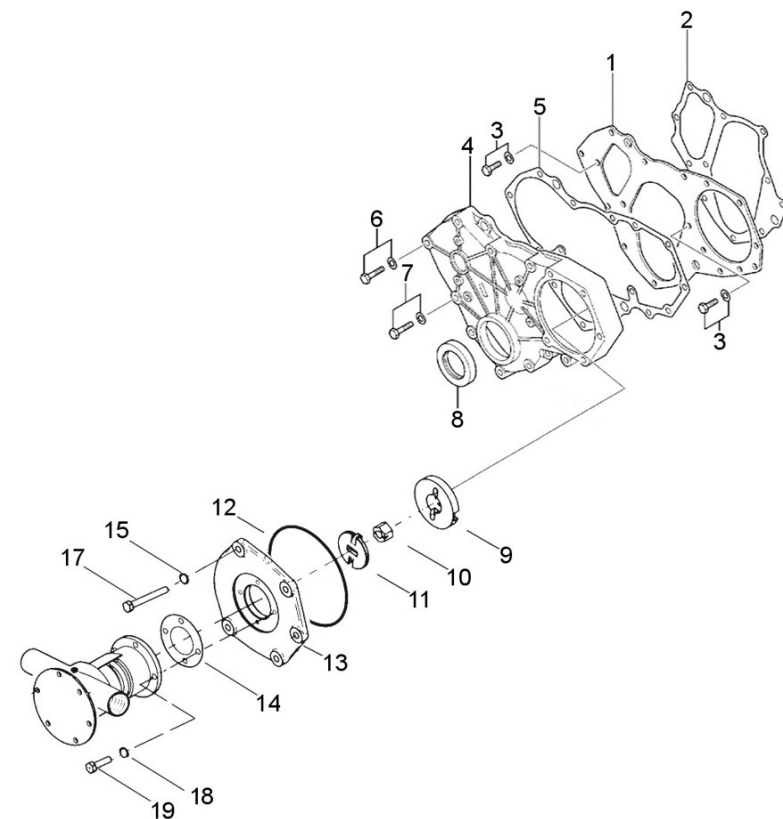
D_GK01_1_4 Timing Parts

Fig.	Ref.	Qty.	Descr.	Obs	From	UpTo
1	17122019.1	1	Gear,CrankShaft			
2	17122037	1	Gear, camShaft			
3	60571031R	1	Pump gear (Spare part)			
4	17122038	1	Gear, Assy idler			
5	17122039	1	Bushing, idler			
6	(*)	1	Not available			
7	17122032	1	Plate, thrust			
8	17720010	1	Bolt,W/Washer			
9	17122035.1	1	CamShaft			
10	13322034	1	Key Woodruff			
11	17422075	1	Plate,THRUST			
12	17524058	2	Bolt,W/Washer			
13	17122061	8	Tappet			
14	17122041	8	Rod, push			



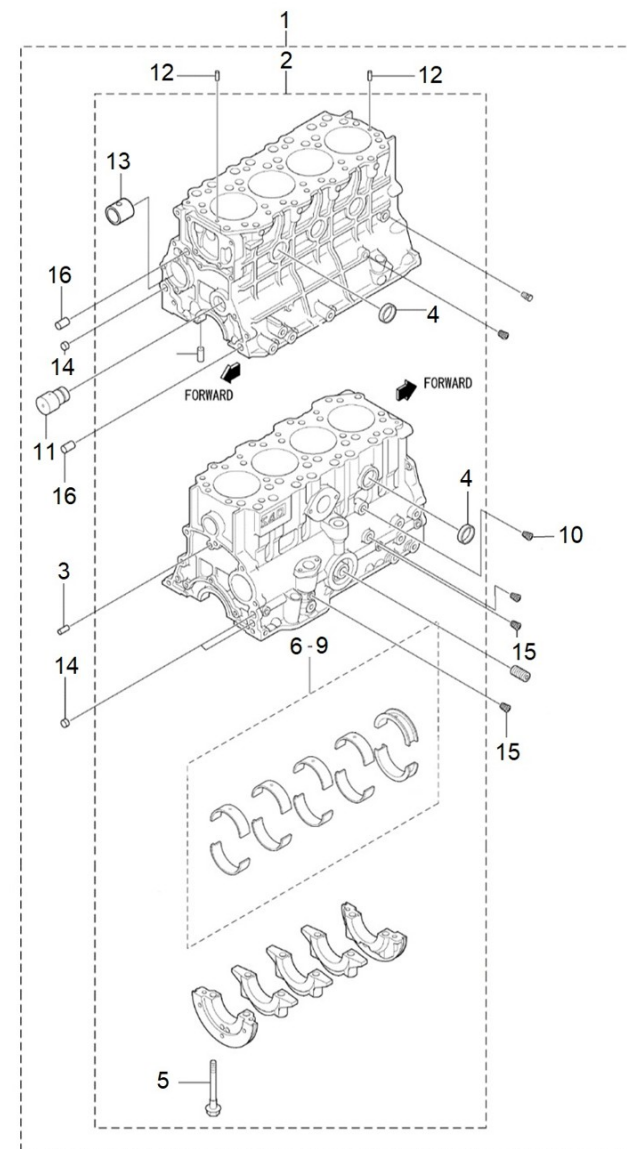
D_GK01_1_5 Gear Case

Fig.	Ref.	Qty.	Descr.	Obs	From	UpTo
1	17120024	1	Plate, front			
2	17120018	1	Gasket, front plate			
3	17524058	2	Bolt,W/Washer			
4	17120035G	1	Case,TIMING Gear			
5	17120040	1	Gasket, timing Gear			
6	17421014G.1	1	Bolt W/Washer (Generator)			
7	17121014G	8	Bolt, w/washer			
8	17120039	1	Seal, oil			
9	17411026	1	Coupling Drive			
10	52120012	1	Nut DIN 934 M12 8.8			
11	15310072	1	CrossHead Jaw Coupling			
12	17120042	1	Gasket,cover			
13	60571030	1	Water Pump Bracket			
14	13310013	1	Gasket,water pump			
15	53038008	5	Washer DIN 6798-A 8			
17	52101266	5	Bolt DIN 931 M8-65 8.8			
18	51030006	4	Washer DIN 125-6			
19	52103156	4	Bolt DIN 912 M6-16 8.8			



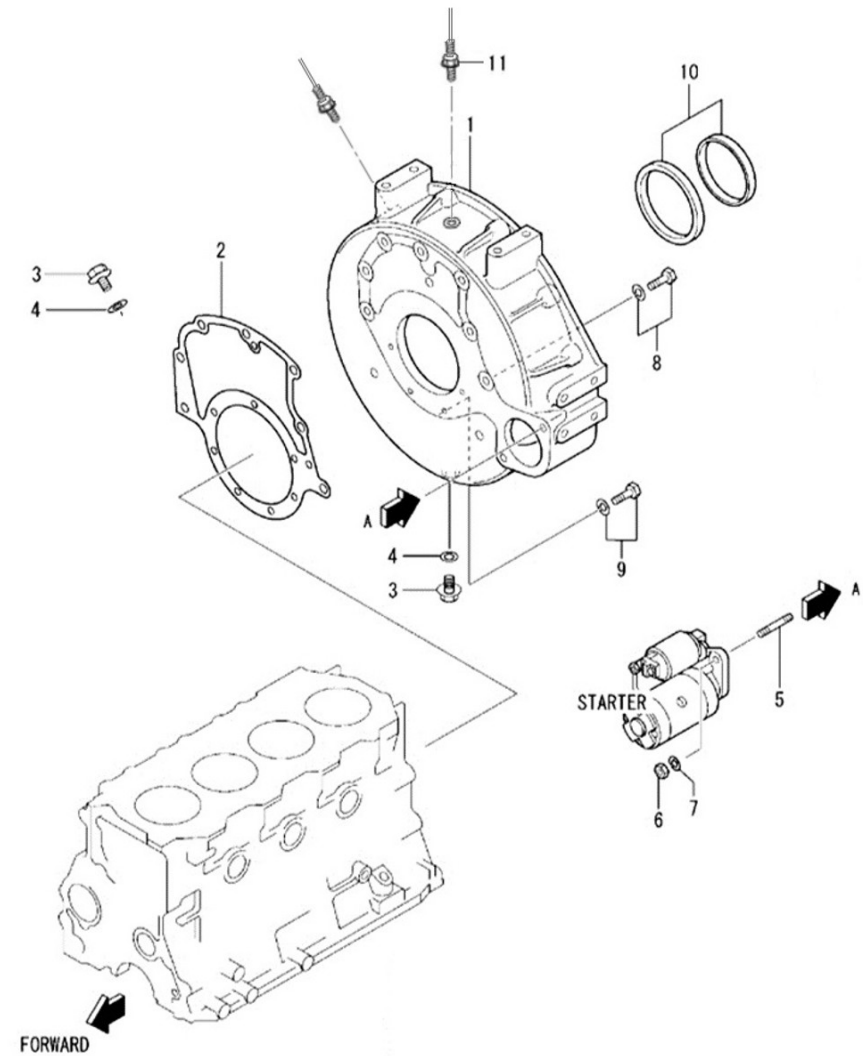
D_GK01_1_6 Cranckcase

Fig.	Ref.	Qty.	Descr.	Obs	From	UpTo
1	17120001G	1	CRANKCase, Assy			
2	(*)	1	Not available			
3	17120026	4	Pin, dowel			
4	13320006	6	Cap, Sealing			
5	17120009	10	Bolt Bearing Cap			
6	17120003	1	Crankshaft Bearing Set			
7	17120004	1	METAL, main set -0.25			
8	17120005	1	METAL, main set -0.50			
9	17120006	1	METAL, main set -0.75			
10	17120021	1	Plug,taper			
11	17120034	1	Shaft, idler			
12	17120019	2	Pin, dowel			
13	17120013.1	1	Bushing,CamShaft			
14	17120012	3	Cap, Sealing			
15	17820011	2	Plug, Tapered			
16	17420036	2	Pin,Dowel			



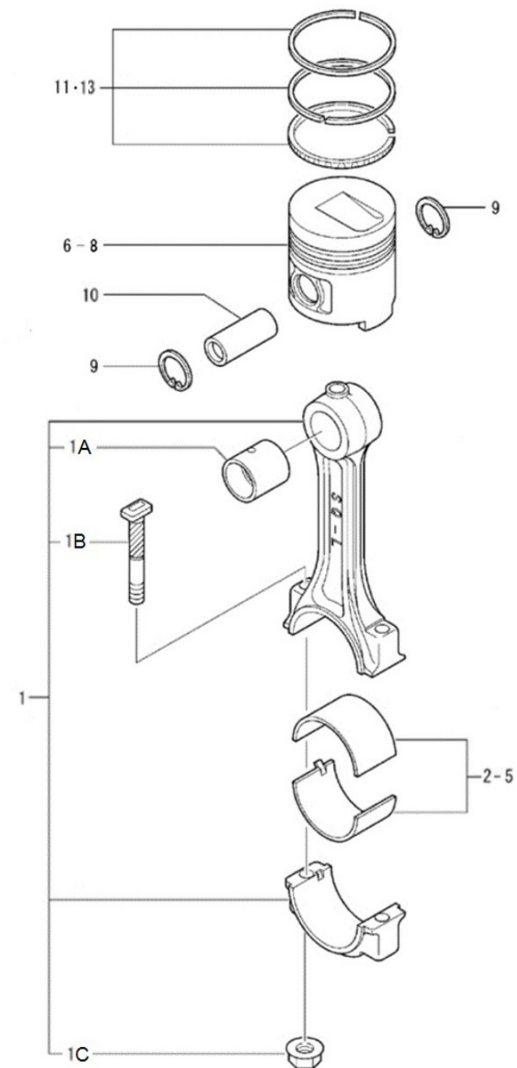
D_MI63GSTDN_01_7 Flywheel Housing

Fig.	Ref.	Qty.	Descr.	Obs	From	UpTo
1	17120002GMR	1	Housing Over Steering Wheel (Group) Pick-up (R)			
2	17120025.1	1	Gasket, Rear			
3	17121016	2	Plug, drain			
4	17121013	2	Gasket			
5	17120044	2	Stud			
6	13127002	2	Nut			
7	53033010	2	Washer GROWER DIN 127-10			
8	17327129.2	7	Bolt			
9	17120062G	4	Bolt,w/washer			
10	13320063	1	Seal Oil			
11	60972519	2	Magnetic Speed Sensor			



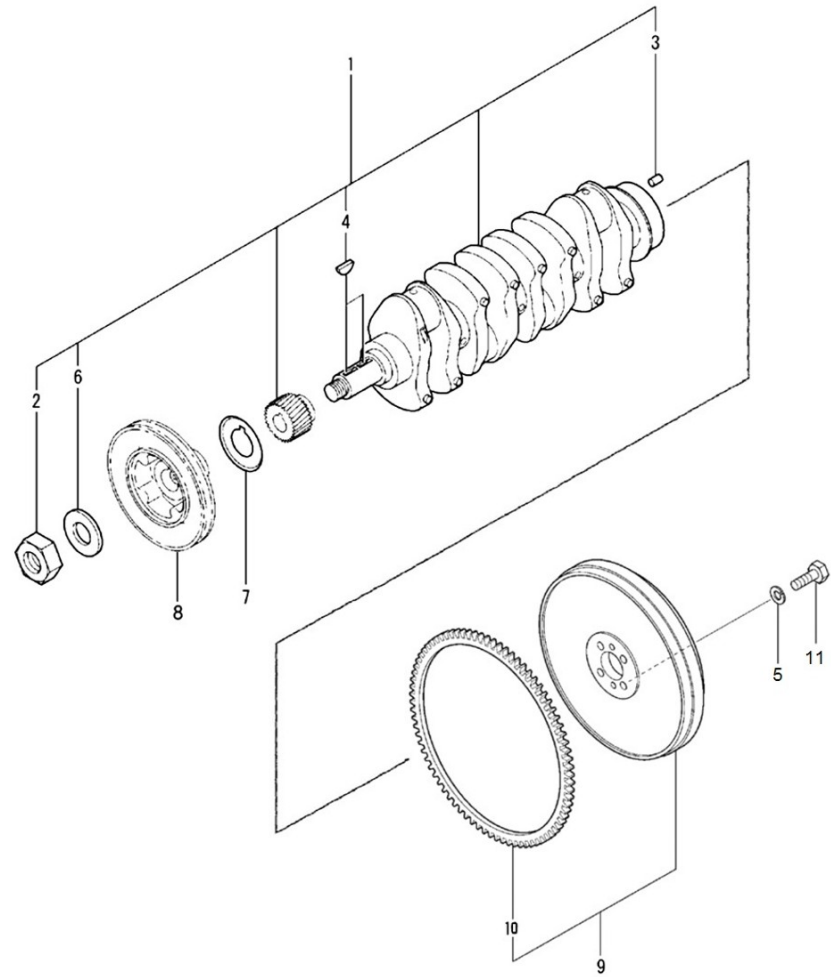
D_GK01_1_8 **Piston & Connecting Rod**

Fig.	Ref.	Qty.	Descr.	Obs	From	UpTo
1	17122012G	4	ROD, Assy connecting			
1A	17122033	4	Bushing, con-rod			
1B	17122013	8	Bolt,connecting rod			
1C	17122011	8	Nut,connecting rod			
2	17422014	1	Bearing Set,Con-Rod,STD.			
3	17422015	1	Bearing Set,Con-Rod,U.S -0,25			
6	17122001G	4	Piston STD.			
7	17122002G	4	Piston +0.25			
8	17122003G	4	Piston +0.50			
9	53041028	8	CIRclip DIN 472 I-28			
10	17122009	4	Pin, piston			
11	17122006	1	Ring,Set Piston STD.			
12	17122007	1	Ring,set piston o.s 0.25			
13	17122008	1	Ring, set piston o.s 0.50			



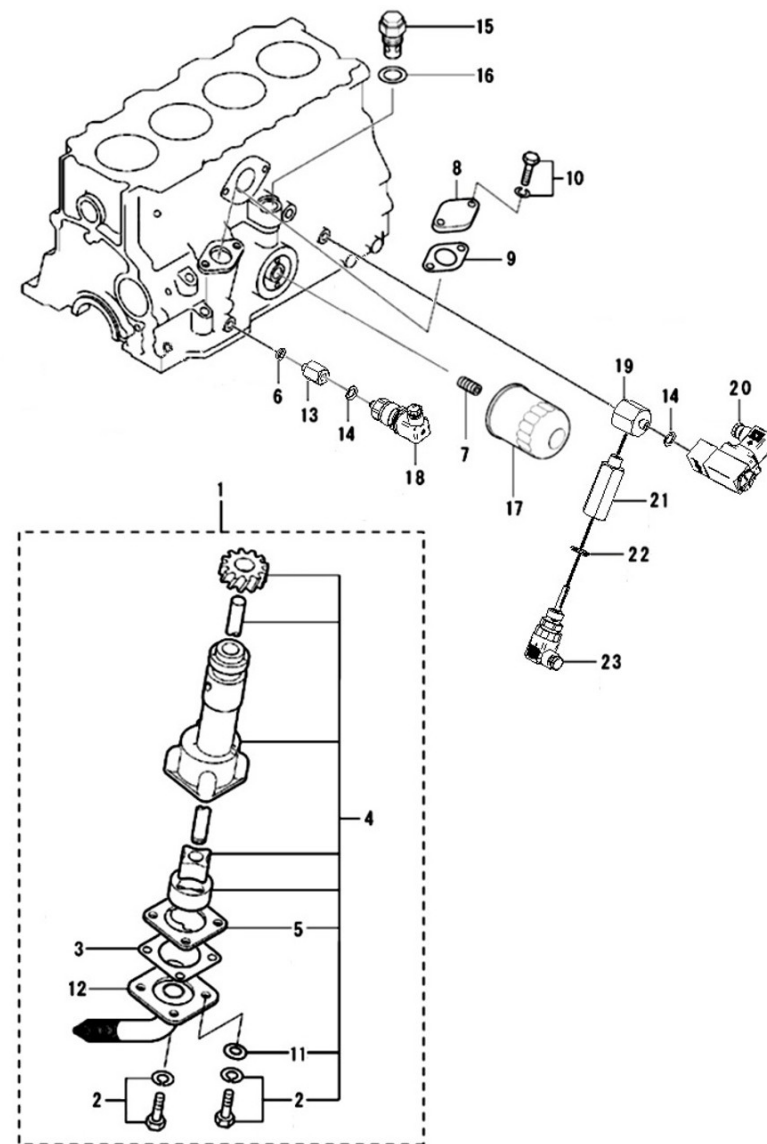
D_GK01_1_9 Crankshaft & Flywheel

Fig.	Ref.	Qty.	Descr.	Obs	From	UpTo
1	17122018G	1	CrankShaft, Assy			
2	17122026	1	Nut, jam			
3	13322059	2	Pin			
4	13322034	2	Key Woodruff			
5	53033012	4	Washer Grower DIN 127-12			
6	17122023	1	Washer			
7	17122025	1	Plate			
8	17122024G	1	Pulley CrankShaft			
9	17122027G	1	Flywheel, Assy			
10	17122029	1	Gear, ring			
11	13322065	4	Bolt			



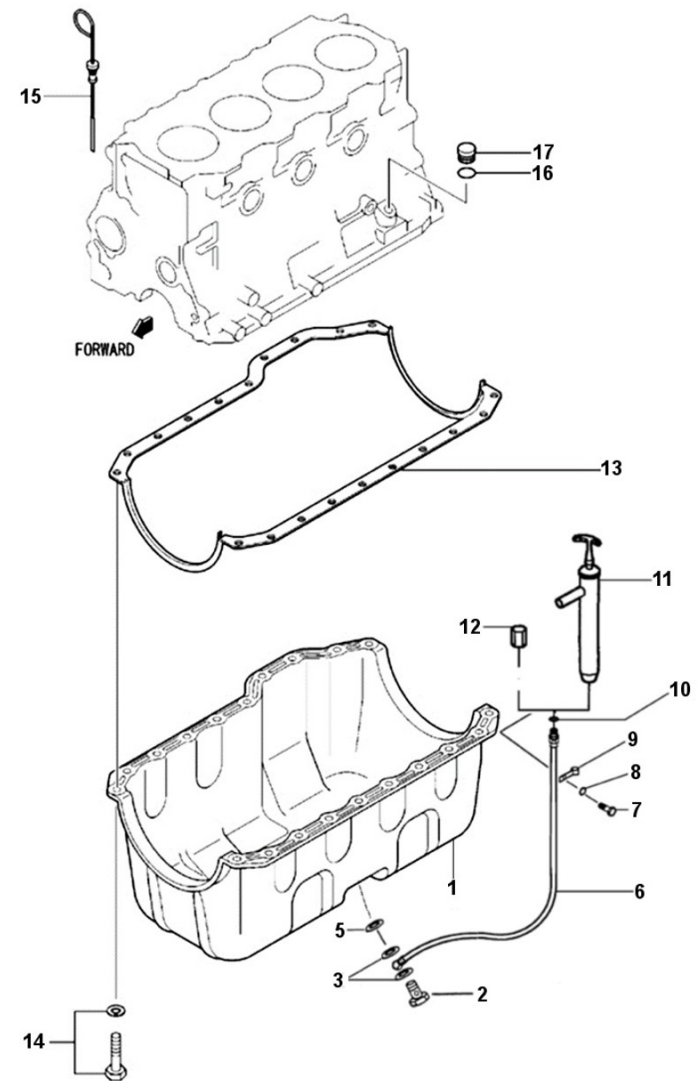
D_MI63GSTDN_01_10 Oil System

Fig.	Ref.	Qty.	Descr.	Obs	From	UpTo
1	17124040	1	Pump Assy,oil			
2	52102157	4	Bolt DIN 933 M6-20 8.8			
3	17124041	1	Gasket,STrainer			
4	17124046	1	Pump, Assy oil			
5	17124061	1	Cover			
6	56000205	1	Washer 10-16-3			
7	17124047	1	Shaft,oil filter			
8	17120037G	1	Cover			
9	17120041	1	Gasket			
10	17421012G.1	2	Bolt W/Washer (Generator)			
11	17427004G	2	Washer,Plain			
12	17124052	1	STrainer, oil			
13	17A17035	1	Conversion Adapter G1/4 a G1/8 BSPT			
14	56000067	2	Washer 13-20-1,5			
15	17124071	1	Valve, Assy			
16	17424063	1	Gasket			
17	13924051	1	Oil Filter Element MINI-62			
18	60994076	1	Marine Approved Pressure Transmitters			
19	17A17037	1	Conversion Adapter R 1/8 A G1/4 G1/8			
20	6097A072	1	Compact Pressure Switch			
20A	60900956	1	10k ohm Resistor			
21	17A17028	1	Conversion Adapter G1/2 a 3/8			
22	56000083	1	Washer 21-26-1,5			
23	60994075	1	Temperature Sensor			



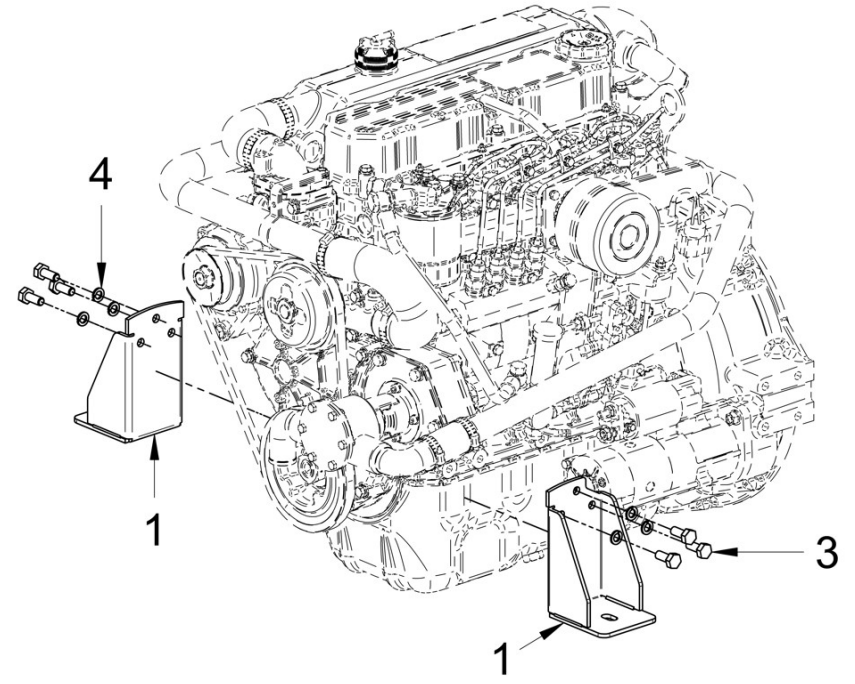
D_GK01_1_11 Oil Pan

Fig.	Ref.	Qty.	Descr.	Obs	From	UpTo
1	17120030G	1	PAN, Assy oil			
2	12814051	1	Screw,eye			
3	56000069	2	Washer 14-20-1,5			
5	17120074	1	Gasket			
6	17114021	1	Extraction Hose			
7	52102358	1	Bolt DIN 933 M12-25 8.8			
8	53033010	1	Washer GROWER DIN 127-10			
9	17214022	1	Bracket, Pipe			
10	56000067	1	Washer 13-20-1,5			
11	14714001	1	Oil Extraction Pump			
12	16514020	1	Plug			
13	17120033	1	Gasket,oil pan			
14	17524058	20	Bolt,W/Washer			
15	17120029	1	Gauge Oil LEVEL			
16	17120058	1	O-Ring D. 13X2,5			
17	17120059	1	Plug			



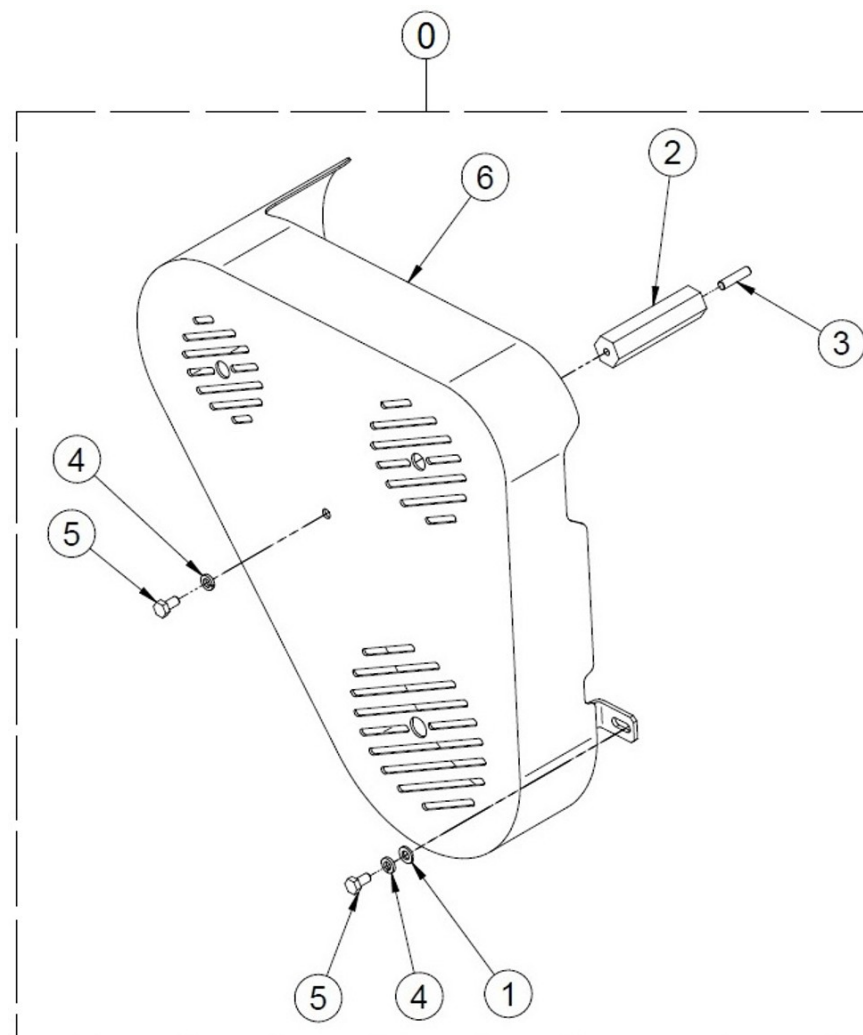
D_MI63GSTDN_01_12 Engine Brackets

Fig.	Ref.	Qty.	Descr.	Obs	From	UpTo
1	17110003G	2	Front Bracket, SITE Fuel Pump			
3	52202307	6	Bolt DIN 933 M10-1,25-20 8.8			
4	53033010	6	Washer GROWER DIN 127-10			



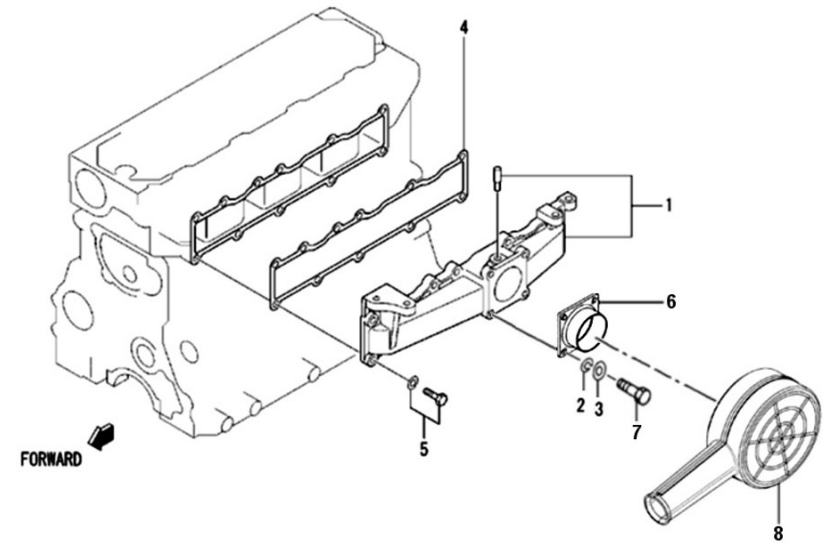
D_MI63GSTDN_01_13 Drive Belt Guard For Genset Without Canopy

Fig.	Ref.	Qty.	Descr.	Obs	From	UpTo
0A	17110027	1	Belt Protection Alt. 12V (S)			
0B	17110050	1	Belt Protection Alt. 24V (S)			
1	51030006	1	Washer DIN 125-6			
2	17110028	1	Piece Distance			
3	52111158	1	ROD DIN 913 M6-25 8.8			
4	53033006	2	Washer GROWER DIN 127-6			
5	52102155	2	Bolt DIN 933 M6-12 8.8			



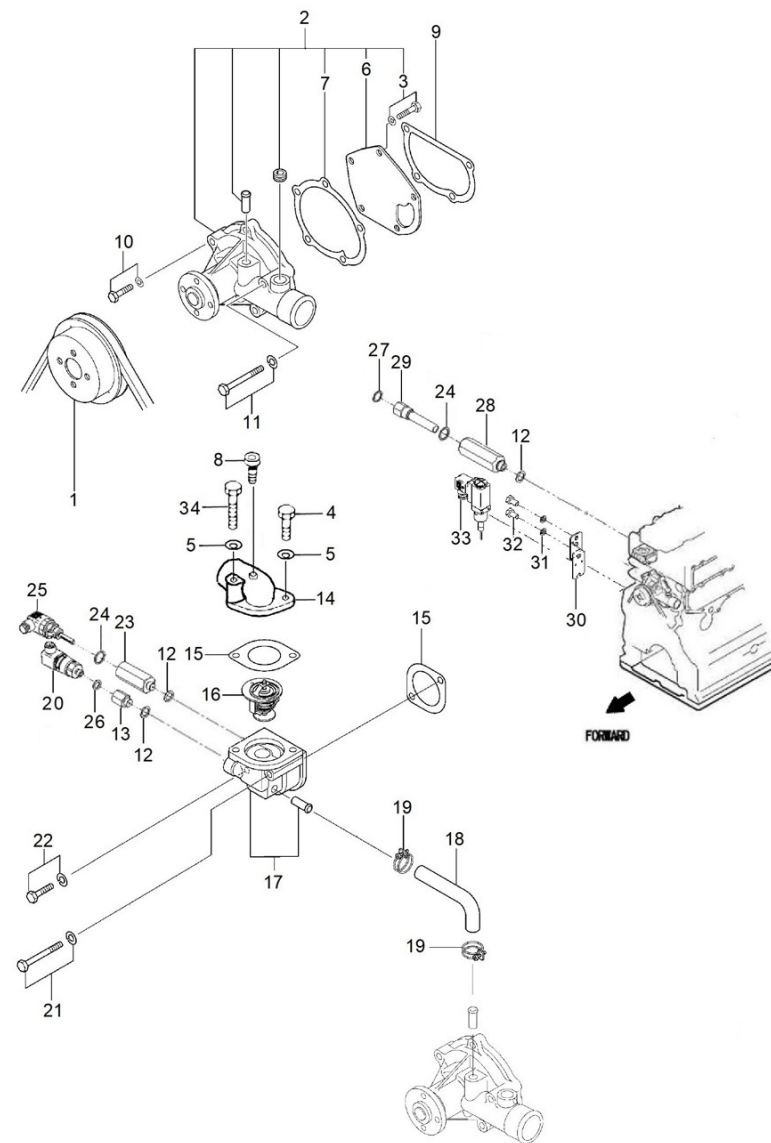
D_GK01_2_1 **Inlet**

Fig.	Ref.	Qty.	Descr.	Obs	From	UpTo
1	17121030	1	Manifold, Assy inlet			
2	53033006	4	Washer GROWER DIN 127-6			
3	51030006	4	Washer DIN 125-6			
4	17121032	1	Gasket, in manifold			
5	17721012	11	Bolt,W/Washer			
6	60571032	1	Air Intake Cover			
7	52102156	4	Bolt DIN 933 M6-16 8.8			
8	13810074	1	Air Filter			



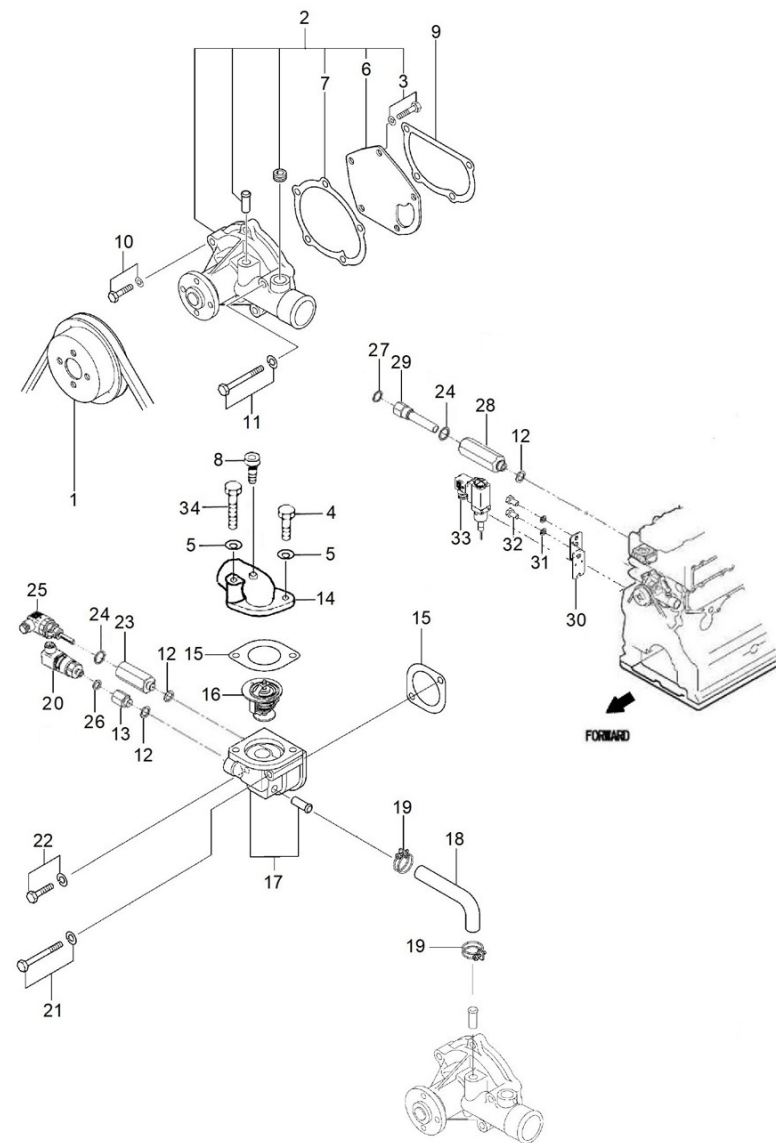
D_MI63GSTDN_03_1 Water Pump

Fig.	Ref.	Qty.	Descr.	Obs	From	UpTo
1	17121021	1	Pulley,Water Pump			
2	17121020G	1	Pump, Assy water			
3	17121012	1	Bolt, w/washer			
4	52102259	1	Bolt DIN 933 M8-30 8.8			
5	53033008	1	Washer GROWER DIN 127-8			
6	17121042	1	Cover, water pump			
7	17121022	1	Gasket Water Pump			
8	13811035	1	Bolt,bleed			
9	17121041	1	Gasket			
10	17421014G.1	3	Bolt W/Washer (Generator)			
11	17121039G	1	Bolt, w/washer			
12	56000073	3	Copper Washer 16-23-1,5			
13	17A17030	1	Conversion Adapter G1/4 a 5/8"SAE			
14	17111020	1	Fitting,water outlet			
15	17111021	2	Gasket			
16	17121027	1	Thermostat			
17	17421037	1	Case Assy,Thermostat			
18	17121025	1	Hose, by-pass			
19	17121036	2	Clamp, hose			
20	60994076	1	Marine Approved Pressure Transmitters			
21	17421019G.1	1	Bolt,W/Washer (Generator)			
22	17421038	1	Bolt,W/Washer			
23	17317035	1	Conversion Adapter G1/2 A 5/8 UNF			
24	56000083	2	Washer 21-26-1,5			
25	60994075	1	Temperature Sensor			
26	56000067	1	Washer 13-20-1,5			
27	56000077	1	Washer 18-23-1,5			
28	17A17039	1	Conversion Adapter 5/8 UNF			
29	60994077	1	Sensor Pocket for Temperature Switch			
30	17117055	1	Sensor Bracket			
31	53033012	2	Washer Grower DIN 127-12			



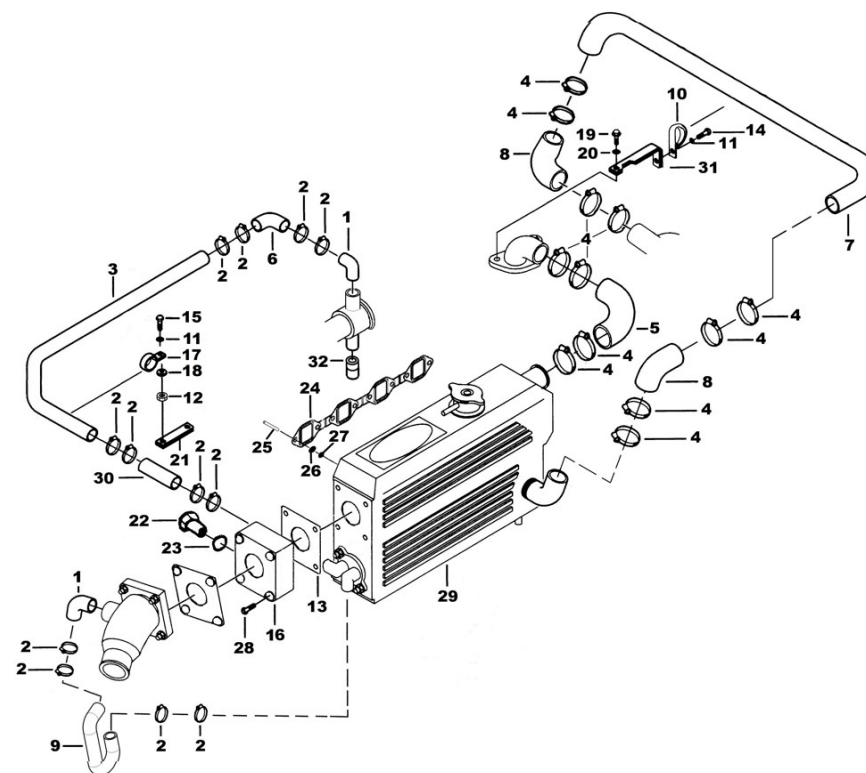
D_MI63GSTDN_03_1 Water Pump

Fig.	Ref.	Qty.	Descr.	Obs	From	UpTo
32	52102358	2	Bolt DIN 933 M12-25 8.8			
33	6097A075	1	Thermostat DNV 95° Trafag			
33A	60900956	1	10k ohm Resistor			
34	52101263	1	Bolt DIN 931 M8-50 8.8			



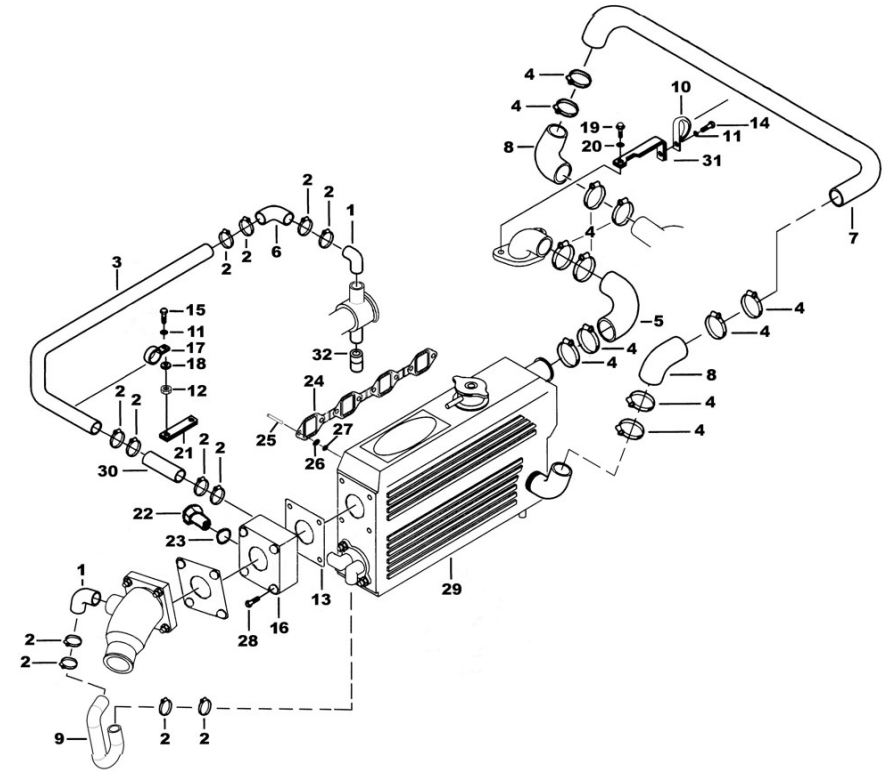
D_MI63GSTDN_03_2 Cooler Pipes

Fig.	Ref.	Qty.	Descr.	Obs	From	UpTo
1	14711021	2	Elbow N°1			
2	54082025	12	Clamp DIN 3017 25-40/12 W4			
3	17111030	1	Pipe,from pump to exchanger			
4	54082032	12	Clamp DIN 3017 32-50/12 W4			
5	17111022	1	Elbow			
6	13211057	1	Rubber			
7	17111065	1	Pipe,from cooler to engine D38 e2			
8	15211026	2	Elbow,rubber			
9	17111043	1	Hose			
10	59071383	1	Clamp TYP.1 38/15 W1			
11	53033006	2	Washer GROWER DIN 127-6			
12	52120006	1	Nut DIN 934 M6 8.8			
13	17113016	2	Gasket			
14	52102156	1	Bolt DIN 933 M6-16 8.8			
15	52102157	1	Bolt DIN 933 M6-20 8.8			
16	17111066	1	Sensor Spacer			
17	59071324	1	Clamp RSGU 1 32/15 W1			
18	51031006	1	Washer DIN 9021 6			
19	52102259	1	Bolt DIN 933 M8-30 8.8			
20	53033008	1	Washer GROWER DIN 127-8			
21	15217010	1	Bracket,wirings			
22	19411027	1	Plug			
23	56000077	1	Washer 18-23-1,5			
24	17121035	1	Gasket, Exhaust Manifold			
25	13311006	8	Stud,cover			
26	17120049	8	Nut M8			
27	51030008	8	Washer DIN 125-8			
28	52103309	4	Bolt DIN 912 M10-30 8.8			
29	17111000GR	1	Water Cooler Assy MINI-62 (Spare Part)			
30	13211037	1	Pipe 30-40-85			
31	17A11014	1	Bracket			



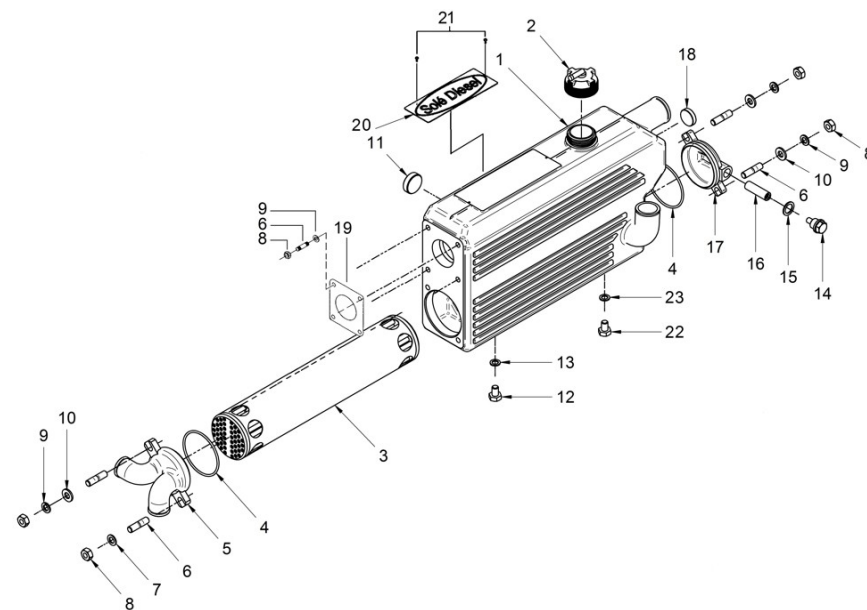
D_MI63GSTDN_03_2 Cooler Pipes

Fig.	Ref.	Qty.	Descr.	Obs	From	UpTo
32	60180007	1	Outlet Coupling			



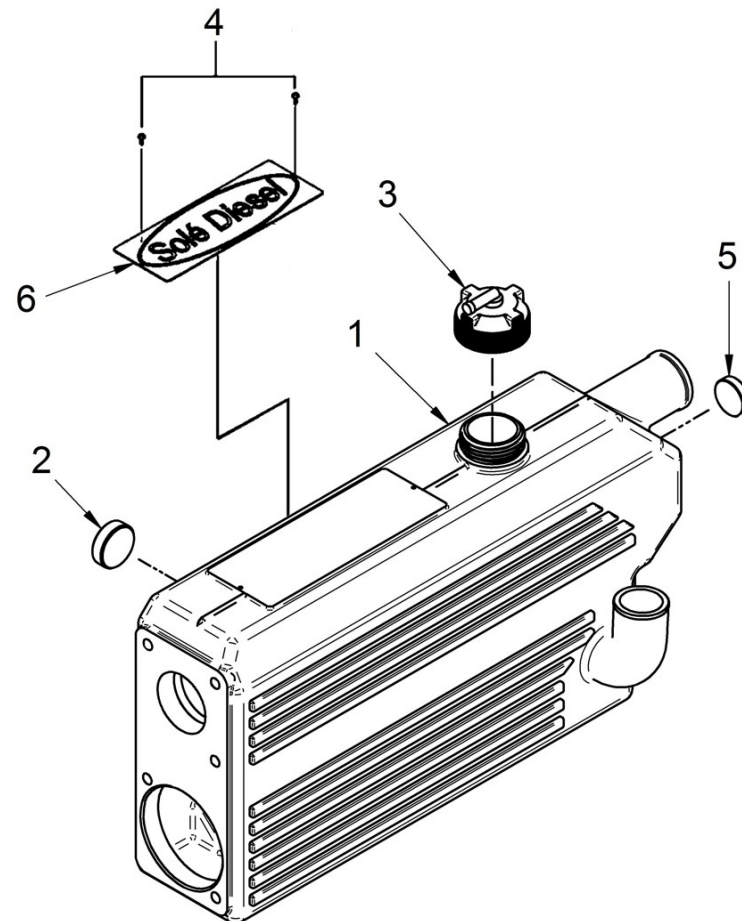
D_17111000GR Water Cooler Assy MINI-63

Fig.	Ref.	Qty.	Descr.	Obs	From	UpTo
1	17111001	1	Body, Water Cooler			
2	13811010	1	Cap			
3	17111004	1	Tubular Bundle			
4	18011008	2	O-Ring D. 72X3			
5	18011003	1	Water Cooler Cover			
6	16511007	8	Stud			
7	51035010	1	Washer DIN 433 10			
8	52120010	8	Nut DIN 934 M10 8.8			
9	53033010	8	Washer GROWER DIN 127-10			
10	51030010	3	Washer DIN 125-10			
11	16513004	1	Plug 1"			
12	54102306	1	Bolt DIN 933 M10-16 INOX.			
13	56000061	1	Washer 10-16-1,5			
14	18011009	1	Anode Plug			
15	56000073	1	Copper Washer 16-23-1,5			
16	18011031	1	Engine Anode 45 mm M.8			
17	18011002	1	Water Cooler Cover			
18	12113092	1	Plug			
19	17113016	1	Gasket			
20	17111060	1	Plate "SOLE Diesel"			
21	17111062	2	Bolt			
22	54102356	1	Bolt DIN 933 M12-16 INOX.			
23	56000015	1	Washer 12-19-2			



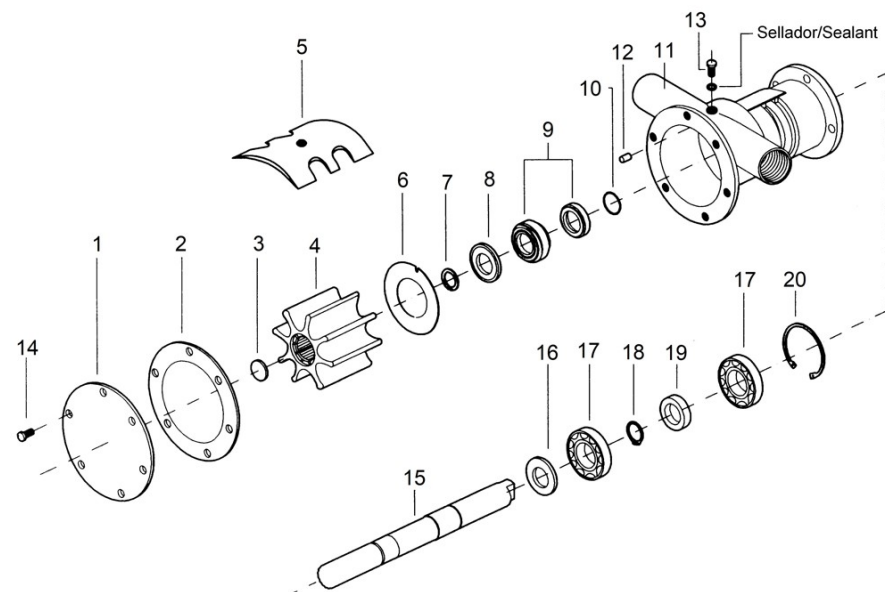
17111001C Body, Water Cooler And Cap

Fig.	Ref.	Qty.	Descr.	Obs	From	UpTo
1	17111001	1	Body, Water Cooler			
2	16513004	1	Plug 1"			
3	13811010	1	Cap			
4	17111062	2	Bolt			
5	12113092	1	Plug			
6	17111060	1	Plate "SOLE Diesel"			



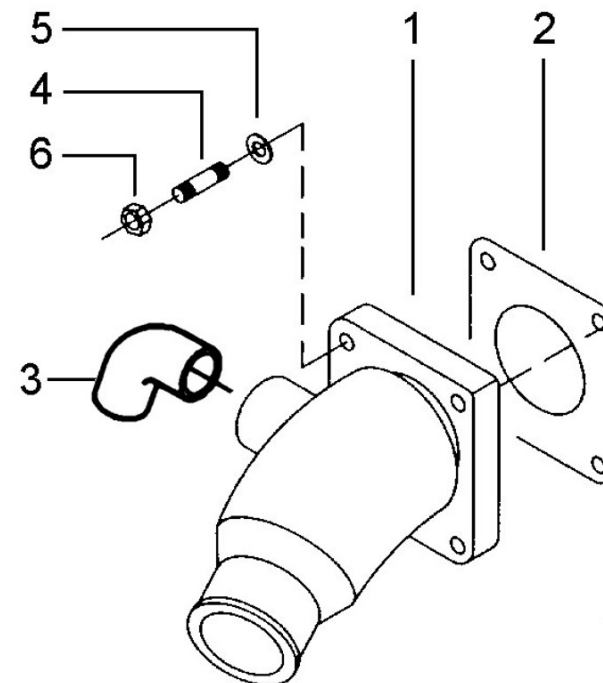
36511000 Cross Brace Pump from 74 to 616

Fig.	Ref.	Qty.	Descr.	Obs	From	UpTo
1	34711002	1	Cover Pump			
2	34711003	1	Gasket Cover			
3	34711041	1	Impeller Plug			
4	34711008	1	1" Impeller			
5	34711005	1	Cam			
6	34711026	1	Plate,Friction			
7	54040016	1	CIRClip E-16			
8	36511018	1	Washer,seal			
9	36511019	1	Seal			
10	33311013	1	O-Ring D. 15X2			
11	36511001	1	Body,water pump			
12	36511017	1	Pin,Dowel			
13	54108154	1	Bolt DIN 84 M6-10			
14	54102154	6	Bolt DIN 933 M6-10 INOX			
15	36511010	1	Shaft,pump			
16	36511015	1	Spacer 17X24X7			
17	33311014	2	Ball Bearing 6203			
18	53040017	1	Circlip DIN 471 E-17			
19	36511020	1	Seal 16-30-7			
20	53041040	1	Circlip DIN 472 I-40			



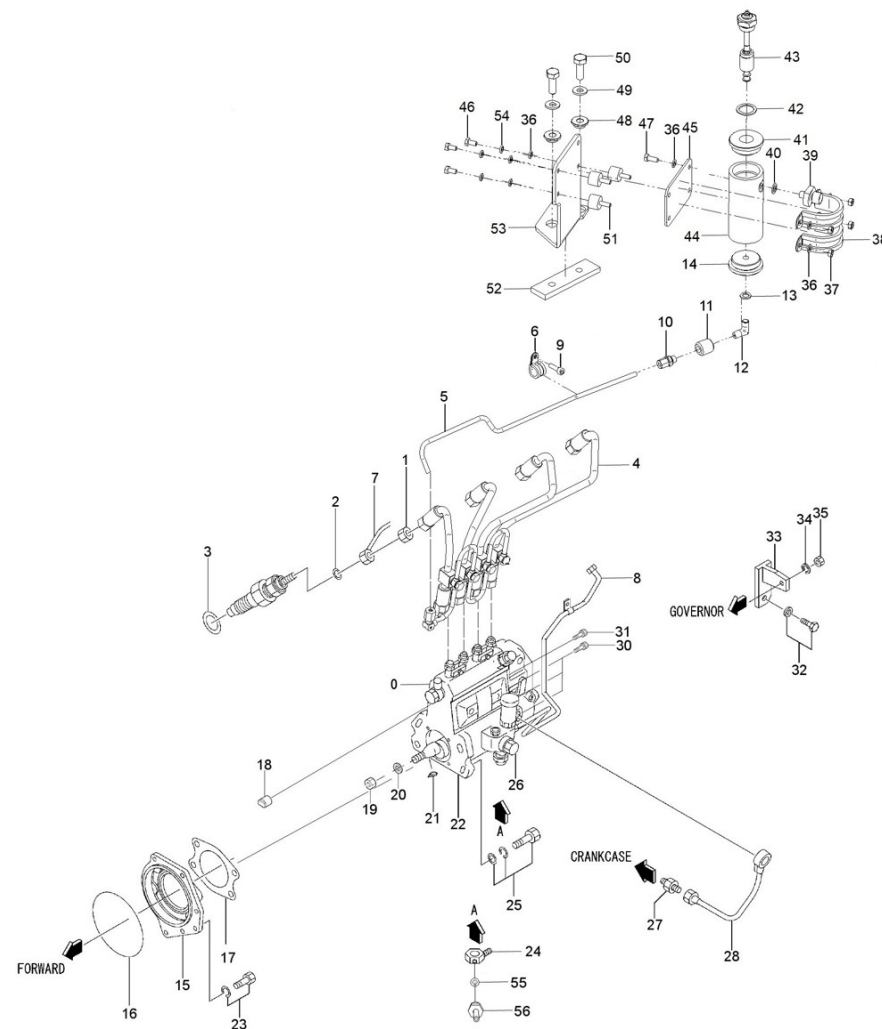
D_MI62_3_3 Wet Exhaust

Fig.	Ref.	Qty.	Descr.	Obs	From	UpTo
1	17113015	1	Elbow,wet exhaust			
2	17113016	1	Gasket			
3	14711021	1	Elbow N°1			
4	16511007	4	Stud			
5	51030010	4	Washer DIN 125-10			17/10/2017
5	53033010	4	Washer GROWER DIN 127-10		18/10/2017	
6	55120110	4	Nut DIN 934 M10			



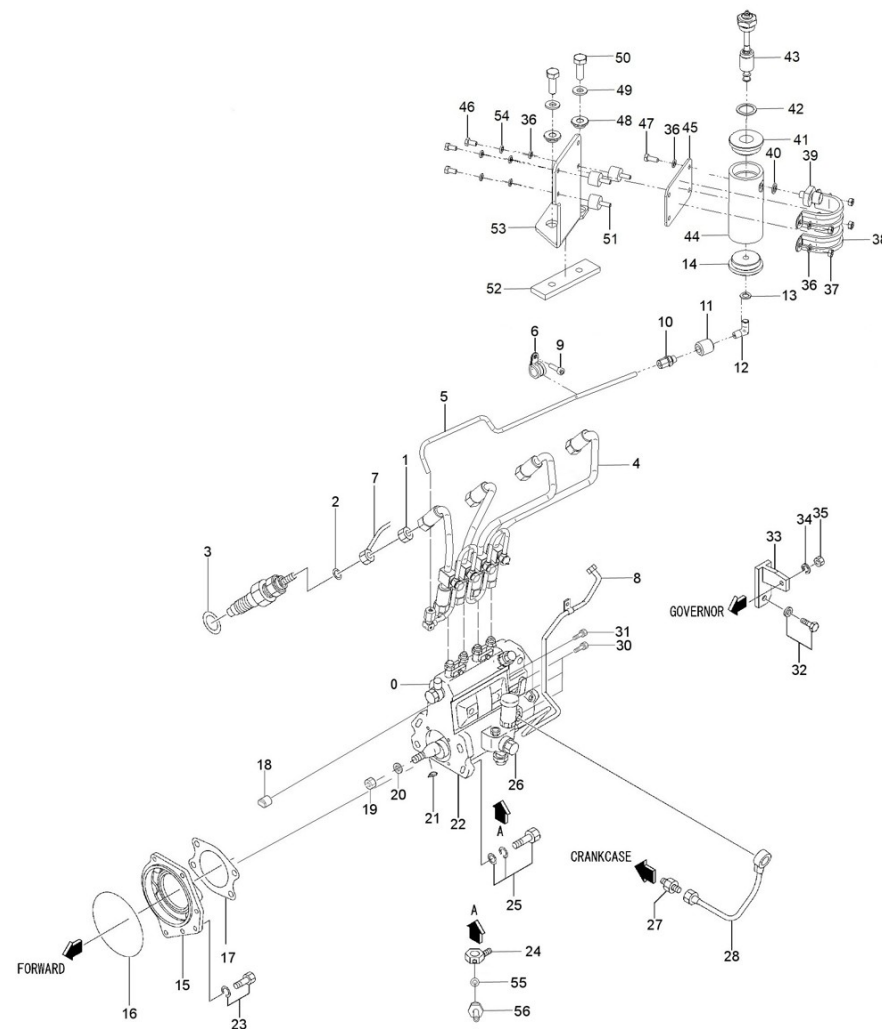
D_MI63GSTDN_04_1 Fuel Pipe And Fuel Leak Alarm

Fig.	Ref.	Qty.	Descr.	Obs	From	UpTo
0	17125001G.1	1	Pump, Assy INJ.Generator			
1	13824024	4	Nut			
2	17424025G.1	4	Gasket Fuel Return (Genset)			
3	13824013	4	Injector Washer			
4	17124010RG	1	Pipe Kit			
5	17B14019	1	Assy,Fuel Return			
6	59071161	1	Clamp RSGU 1 16/12 W1			
7	17124005	1	Pipe, Fuel Leak OFF			
8	17124006G	1	Pipe,fuel return			
9	52103157	1	Bolt DIN 912 M6-20 8.8			
10	19414028	1	P-GEV 6LR 1/8			
11	17A14029	1	1/8-28 To M10 Threat Adaptator			
12	17712007	1	Elbow 1/8" GAS			
14	17517009.4	1	Lower cover			
15	17125005G	1	Flange, inj.pump			
16	13325001	1	O-Ring			
17	17425028	1	Gasket			
18	13325203	1	SLEEVE LIMIT			
19	13325274	1	Nut			
20	13325273	1	Washer			
21	13325268	1	KEY WOODRUFF			
23	17125004.1	1	Bolt			
24	17414010	1	Joint Fuel inlet			
25	17425029	4	Bolt,W/Washer			
26	13325100	1	Pump Feed			
27	17424032	1	Connector			
28	17125010G	1	Pipe,oil			
30	17425004	6	Bolt,W/Washer			
31	17425003	1	Bolt,W/Washer			
32	13322079	1	Bolt			
33	17125006G	1	Bracket,pump			



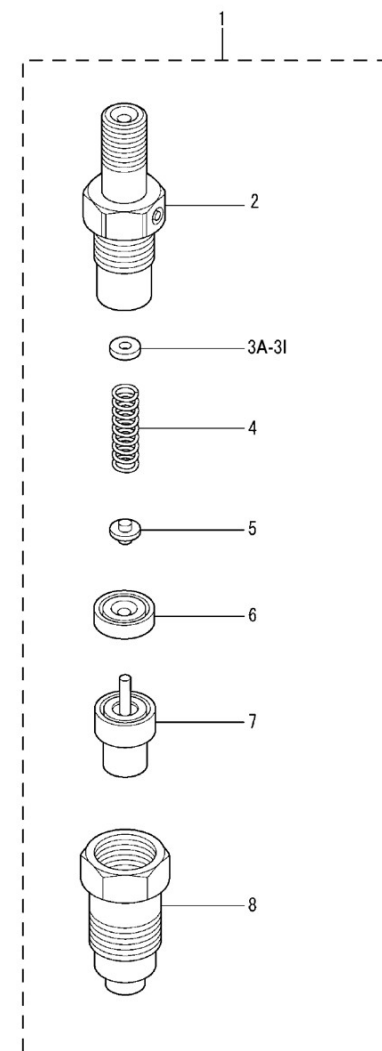
D_MI63GSTDN_04_1 Fuel Pipe And Fuel Leak Alarm

Fig.	Ref.	Qty.	Descr.	Obs	From	UpTo
34	13321016	1	Washer Spring			
35	17120049	1	Nut M8			
36	51030006	8	Washer DIN 125-6			
37	52120006	4	Nut DIN 934 M6 8.8			
38	59072482	2	Clamp 2 48/20 W1			
39	17B14032	1	Fitting 1/8 - 3/8 Nylon			
40	56000061	1	Washer 10-16-1,5			
41	17517009.3	1	Cover, Upper			
42	56000086	1	Washer 22,3-29-1,5			
43A	17517009.1	1	Fuel Leak Switch 12V			
Figure A for 12V System						
43B	17517017.1	1	Fuel Leak Switch 24V			
Figure b for 24V System						
44	17517009.2	1	Tube			
45	17517009.6	1	Alarm Bracket			
46	52102155	3	Bolt DIN 933 M6-12 8.8			
47	52102156	1	Bolt DIN 933 M6-16 8.8			
48	17217023	2	Celotex Screw Insulator			
49	51030010	2	Washer DIN 125-10			
50	52102309	2	Bolt DIN 933 M10-30 8.8			
51	17414009	3	Anti Vibration Mount			
52	17517009.7	1	Insulating Plate			
53	17517009.5D	1	DNV Earth Isolated Fuel-leak Alarm Bracket			
54	53033006	3	Washer GROWER DIN 127-6			
55	56000205	1	Washer 10-16-3			
56	17414011	1	Racord			
NS	19424101	1	Spray stop kit			



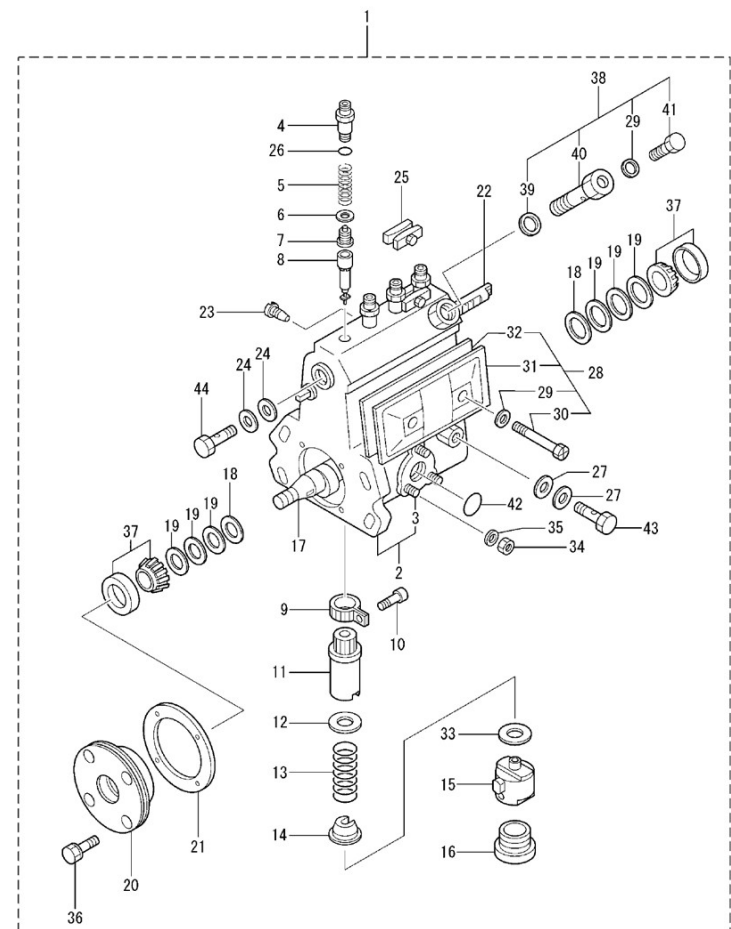
D_GK01_4_2 Injection Nozzle

Fig.	Ref.	Qty.	Descr.	Obs	From	UpTo
1	13826001	4	Nozzle & Holder A			
2	13826002	4	Body Assy			
3	13826010	0	Washer 1,25	#		
3A	13826011	0	Washer 1,30	#		
3B	13826012	0	Washer 1,35	#		
3C	13826013	0	Washer 1,40	#		
3D	13826014	0	Washer 1,45	#		
3E	13826015	0	Washer 1,50	#		
3F	13826016	0	Washer 1,55	#		
3G	13826017	0	Washer 1,60	#		
3H	13826019	0	Washer 1,65	#		
3I	13826020	0	Washer 1,70	#		
4	13826004	4	Spring Pressure			
5	13826003	4	Pin Pressure			
6	13826007	4	PIECE DISTANCE			07/01/2020
7	13826018	4	Nozzle Assy			
8	13826006	4	Nut RETAINING			



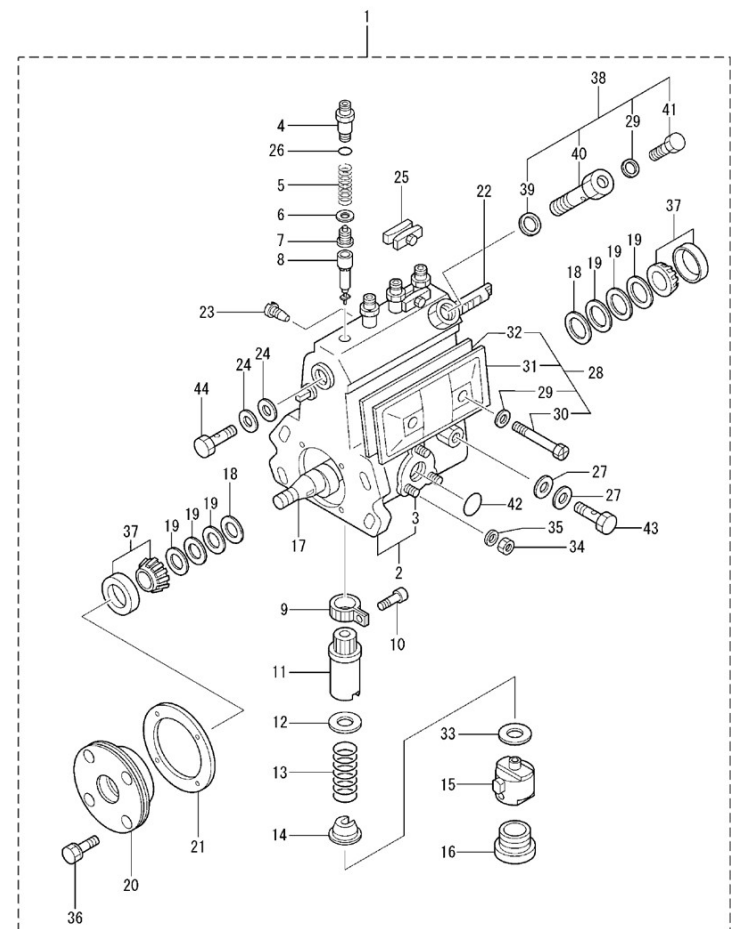
D_GK01_4_3 Fuel Injection Pump

Fig.	Ref.	Qty.	Descr.	Obs	From	UpTo
1	(*)	1	Not available			
2	17425005.1	1	Flange,INJ.Pump			
3	13325239	3	Stud			
4	17425046	4	Support SOUPAPE			
5	17425014	4	Spring,Valve			
6	17425012	4	Gasket,Valve			
7	17425008	4	Valve,DELIVERY			
9	13325241	4	PinION Control			
10	13325240	4	Screw			
11	17425015	4	SLEEVE,Control			
12	17425011	4	SHEET,Upper Spring			
13	13325244	4	Spring Plunger			
14	17425013	4	SHEET,LOWER Spring			
15	13325261	4	Tappet Assy			
16	17425022	4	Plug,Screw			
18	13325226	2	Ring			
19	13325219	0	Plate 0,1	#		
19A	13325220	0	Plate 0,12	#		
19B	13325221	0	Plate 0,14	#		
19C	13325222	0	Plate 0,16	#		
19D	13325223	0	Plate 0,18	#		
19F	13325225	0	Plate 0,5	#		
19G	13325224	0	Plate 0,3	#		
19H	17425030	0	Shim Adjusting T=1.00	#		
19I	17425031	0	Shim Adjusting T=1,50	#		
19J	17425032	0	Shim Adjusting T=2.00	#		
19K	17425033	0	Shim Adjusting T=0.03	#		
20	13325271	1	Cover			
21	17425025	1	Gasket,Bearing Cover			
22	17425006	1	RACK,Control			
23	17425027	1	Screw,RACK Guide			



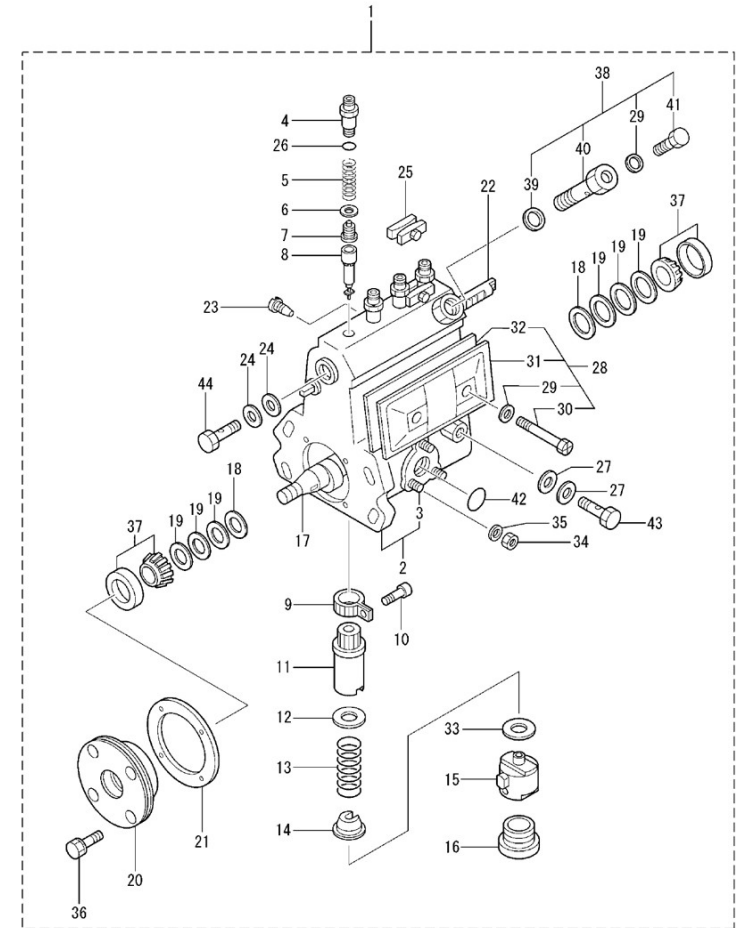
D_GK01_4_3 Fuel Injection Pump

Fig.	Ref.	Qty.	Descr.	Obs	From	UpTo
24	13325202	2	Washer			
25	17425035	2	Plate			
26	17425010	4	O-Ring			
27	13825031.3	2	Washer,DRAIN Union			
28	17425040	1	Cover,Pump			
29	13325215	2	Washer			
30	17425041	2	Screw,HEXAGON			
31	17425042	1	Cover,Plate			
32	17425043	1	Gasket,Cover Plate			
33	13125014	0	Shim T=0,60	#		
33A	13325253	0	Shim T=0.70	#		
33B	13325254	0	Shim T=0.80	#		
33C	13325255	0	Shim T=0.90	#		
33D	13325256	0	Shim T=1.00	#		
33F	13325257	0	Shim T=1.10	#		
33G	13325258	0	Shim T=1.20	#		
33H	13325259	0	Shim T=1.30	#		
33I	13325260	0	Shim T=1.40	#		
33J	13325246	0	Shim T=0.10	#		
33K	13125015	0	Shim T=0,2	#		
33L	13325249	0	Shim T=0.30	#		
33M	13125017	0	Shim T=0,4	#		
33N	13125018	0	Shim T=0,5	#		
33Ñ	13325247	0	Shim T=0.15	#		
33O	17425034	0	Shim T=0.13	#		
34	17425019	3	Nut			
35	17425007	3	Washer,Spring			
36	13325272	4	Screw			
37	13325217	2	Conical Roller Bearing 30203			
38	13325212	1	BREATHER Air			
39	13325213	1	Washer NIPPLE			



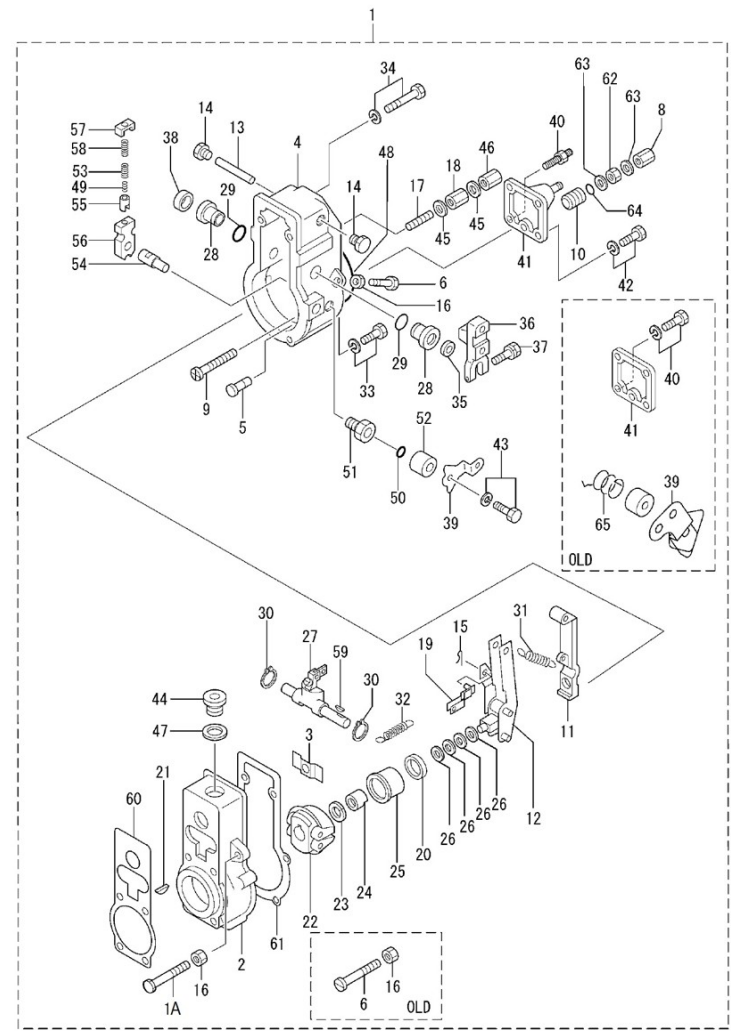
D_GK01_4_3 Fuel Injection Pump

Fig.	Ref.	Qty.	Descr.	Obs	From	UpTo
40	13325214	1	NIPPLE			
41	13325216	1	Screw			
42	13325234	1	O-Ring			
43	13325231	1	Screw, Racord			
44	13325201	1	Screw, Racord			

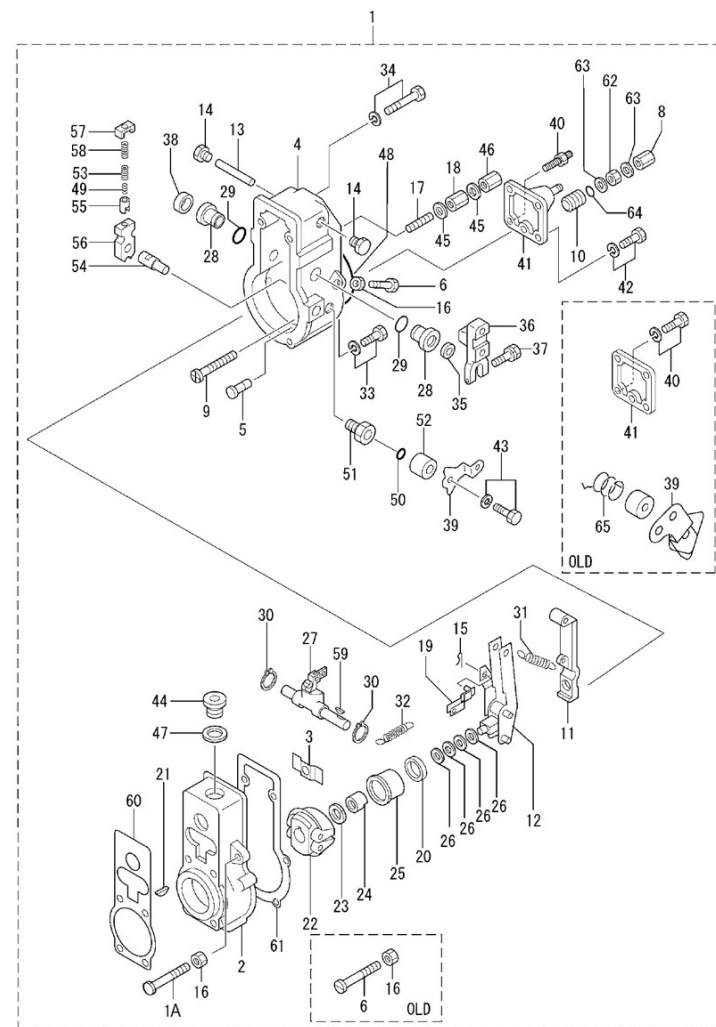


D_GK01_4_4 Governor Parts

Fig.	Ref.	Qty.	Descr.	Obs	From	UpTo
1	(*)	1	Not available		01/01/2016	
2	17425201	1	Housing,GOverNOR			
3	17425203	1	Plate			
4	17425208	1	Cover,GOverNOR			
5	17425209	1	Pin			
6	17425210	3	Screw,Adjusting			
8	17425217	1	Nut			
9	17425212	1	Screw,Adjusting			
10	17425213	1	Bushing			
11	17425218	1	Lever,TENSION			
12	17425245	1	Lever,TENSION			
13	17425222	1	Shaft,Lever			
14	17425223	2	Plug,Screw			
15	17425246	1	Pin,SPLIT			
16	17425211	1	Nut,W/Hole			
17	17425230	1	CapSULE			
18	17425232	1	Nut,Adapter LOCK			
19	17425247	1	SHACKLE			
20	17425239	1	Bearing,Ball			
21	17425205	1	KEY,WOODRUFF			
22	17425235G	1	FLYWEIGHT Assy (Generator)			
23	13325273	1	Washer			
24	17425237	1	Nut,ROUND			
25	17425238	1	SLEEVE,GOverNOR			
26	17425240	0	Washer,Plate T=0.2	#		
26A	17425241	0	Washer,Plate T=0.3	#		
26B	17425242	0	Washer,Plate T=0.4	#		
26C	17425243	0	Washer,Plate T=0.1	#		
26D	17425244	0	Washer,Plate T=1.0	#		
27	17425250	1	Lever,SWIVELLING			
28	17425227	2	Bushing,Lever			

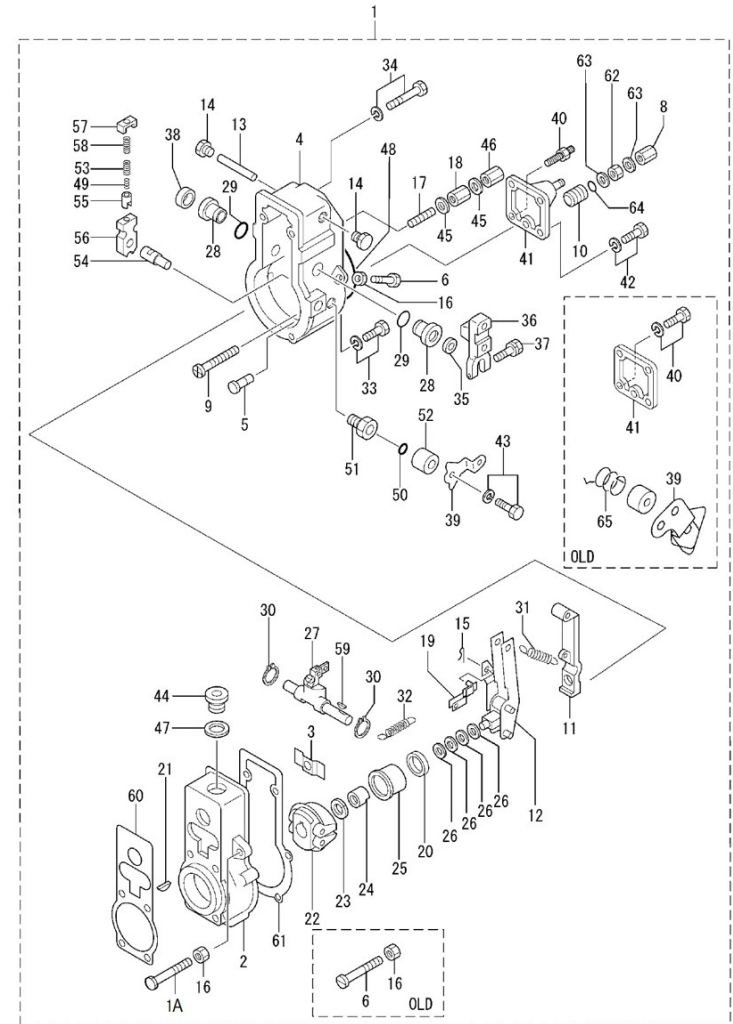


D_GK01_4_4		Governor Parts			
Fig.	Ref.	Qty.	Descr.	Obs	From UpTo
29	17425226	2	O-Ring		
30	17425251	2	Washer,SNAP		
32	17425248	1	Spring,START		
33	17425255	4	Bolt,W/Washer		
34	17425300	2	Bolt,W/Washer		
35	17425229	1	Seal,Oil		
36	17425224G	1	Lever,ADJUNTING (Generator)		
37	17425225	1	Bolt,W/Washer		
38	17425228	1	Cap,Lever		
39	17425259G	1	Lever,Stop (Generator)		
40	17425269	2	Bolt,Stud		06/02/2020
40	17425271	2	Bolt,Stud		06/02/2020
41	17425296	1	Plate,Cover		
42	17425297	2	Bolt,W/Washer		
43	17425260G	1	Bolt,W/Washer (Generator)		
44	17425206	1	Plug,Screw		
45	13325213	2	Washer NIPPLE		
46	17425233	1	Nut,Cap		
47	17425207	1	Washer,COPPER Plate		
48	17425295	1	Packing,Rubber Plate		
49	17425276	1	Spring		
50	17425257	1	O-Ring		
51	17425256G	1	Bushing,Bearing (Generator)		
52	17425258G	1	Cover,Spring (Generator)		
53	17425275	1	Spring		
54	17425279	1	Shaft,GOverNOR		
55	17425277	1	SHEET,spring		
56	17425278	1	Lever,Support		
57	17425273	1	Plate,Cap		
58	17425274	1	Spring		
59	17425252	1	KEY,WOODRUFF		



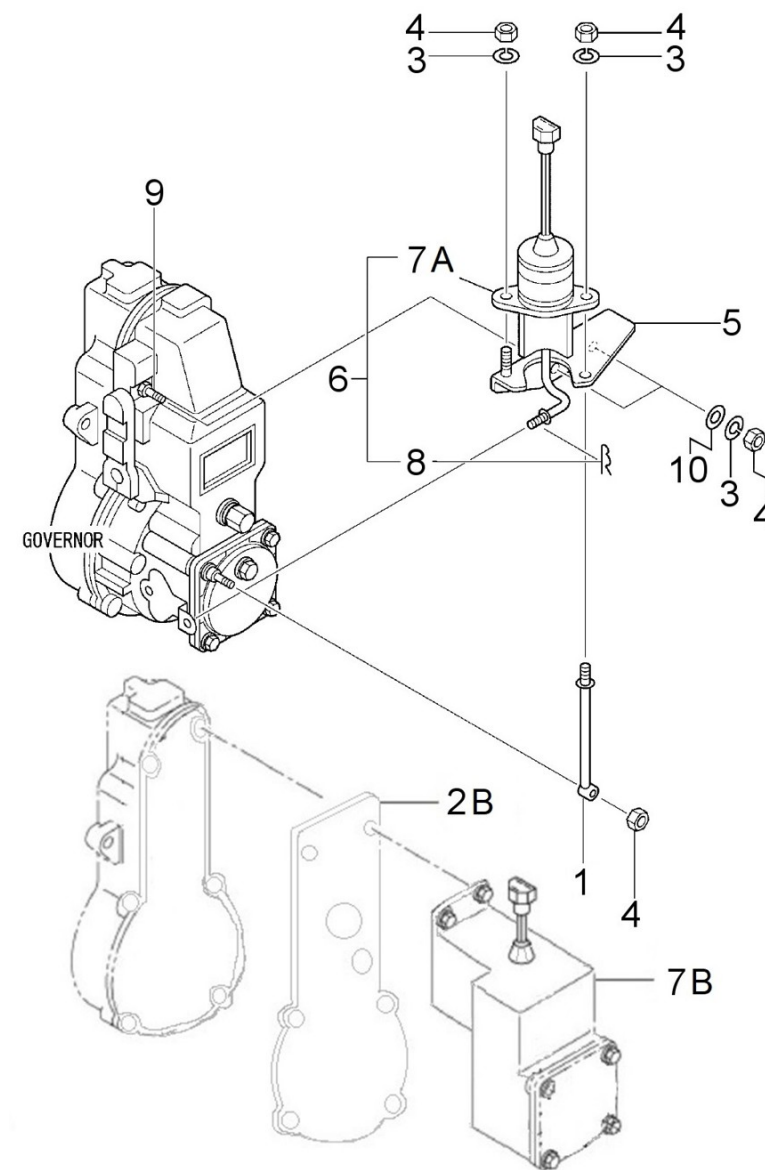
D_GK01_4_4 Governor Parts

Fig.	Ref.	Qty.	Descr.	Obs	From	UpTo
60	17425204	1	Gasket			
61	17425202	1	Gasket			
62	17425215	1	Nut,HEXAGON			
63	17225025	2	Washer, Pipe Union			
64	17425214	1	O-Ring			



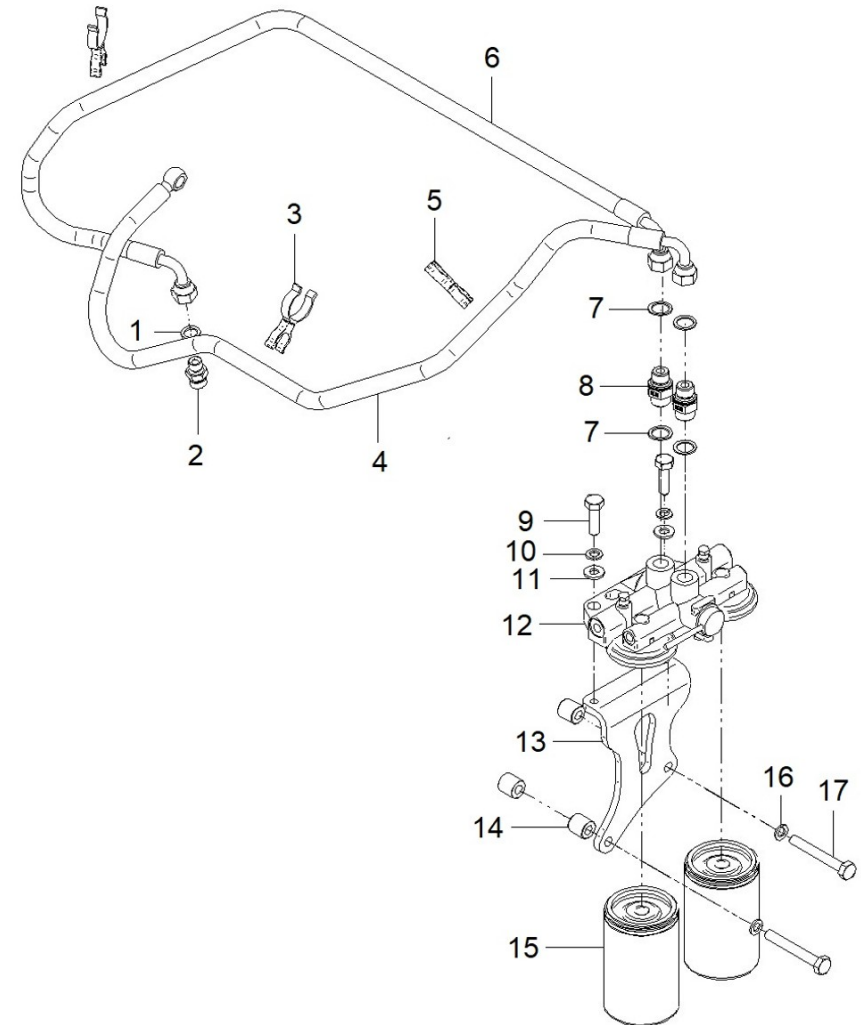
D_MI63GSTDN_04_7 Governor

Fig.	Ref.	Qty.	Descr.	Obs	From	UpTo
1	17427006G	1	ROD,Support			
2B	60972518	1	Assembly kit for 175 series actuator			
Figure b for Parallel System						
3	53033006	4	Washer GROWER DIN 127-6			
4	17223032	5	Nut			
5	17427005G	1	Bracket			
6	17427008G	1	Stop SOLENOID Assy			
7A	17424025G	1	Solenoid			
Figure A for Standard System						
7B	60972516	1	G.A.C 175 Series 12V Integrated Actuator			
Figure b for Parallel System						
8	17427009G	1	Clip			
9	17427003G	2	Rod,Solenoid			
10	51030006	4	Washer DIN 125-6			



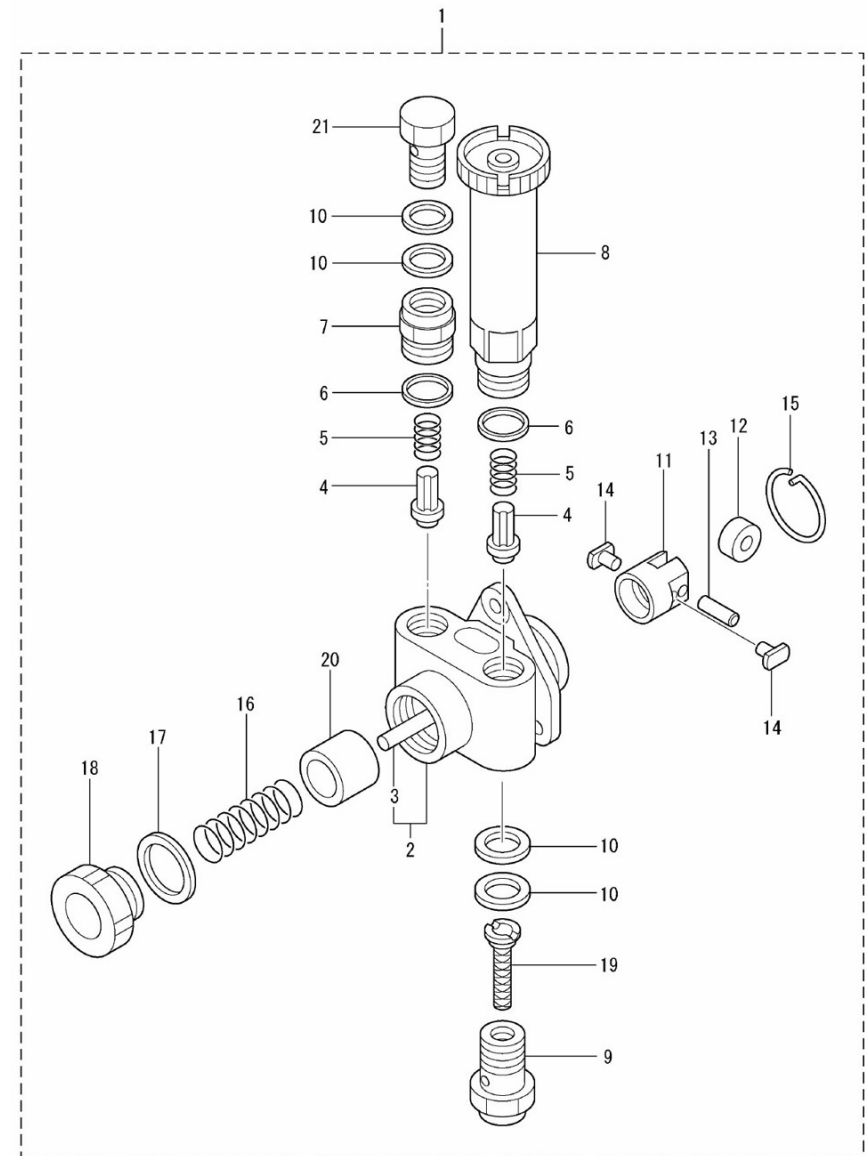
D_MI63GSTDN_04_5 Fuel Supply Parts

Fig.	Ref.	Qty.	Descr.	Obs	From	UpTo
1	19414024	1	Fitting Adapter Male 3/8" to M14x1.5			
2	56000069	1	Washer 14-20-1,5			
3	17114038	2	PLASTIC CLAMP D 17 TO D31			
4	17A14040	1	Fuel Hose DNV			
5	17114037	1	Plastic Clamp D 17 to D17			
6	17A14041	1	Fuel Hose DNV			
7	57000378	4	Washer 18-24-1,5			
8	19414039	2	Racor Fitting Male M18x150-M20x150			
9	52102310	2	Bolt DIN 933 M10-35 8.8			
11	51030010	2	Washer DIN 125-10			
12	17414002	1	Bracket			
13	17114002	1	Bracket 2nd Filter			
14	19117014	4	Spacer 10,5X20X20			
15	19424022	2	Fuel Filter Element SDZ-165/205/280			
16	53033010	2	Washer GROWER DIN 127-10			
17	52201318	2	Bolt DIN 931 M10-1,25-75 8.8			



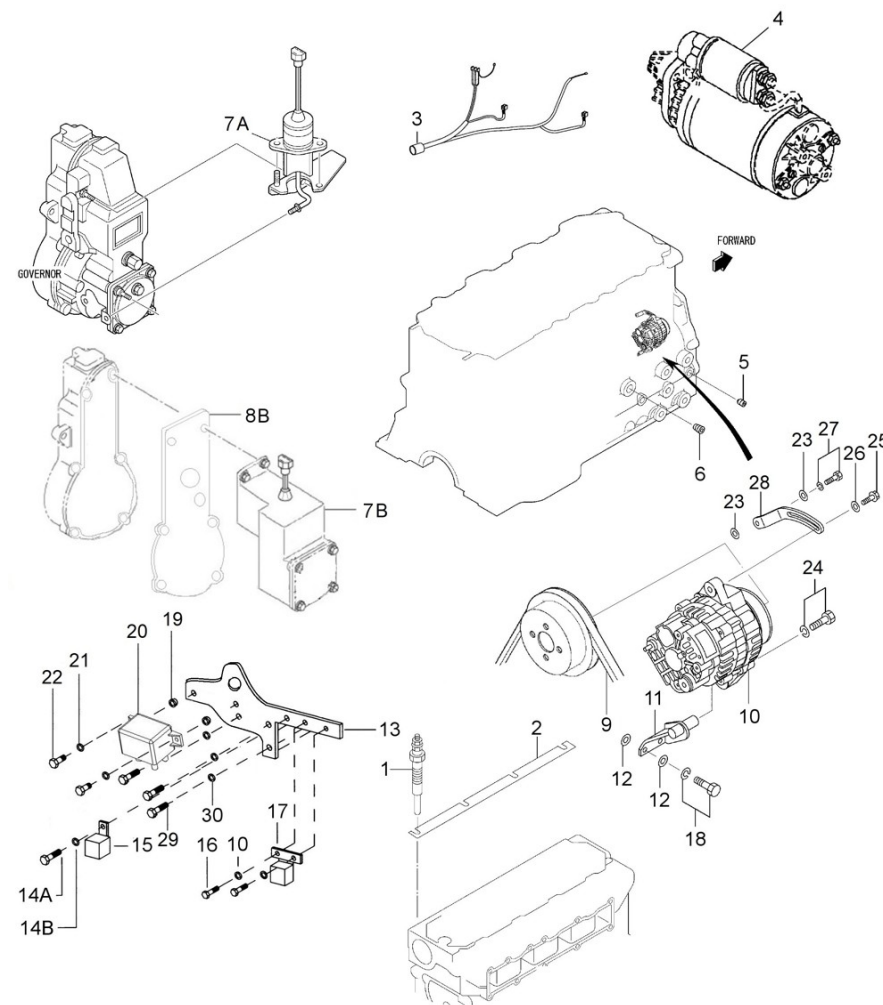
D_MI74_4_6 Feed Pump

Fig.	Ref.	Qty.	Descr.	Obs	From	UpTo
1	13325100	1	Pump Feed			
2	13325107	1	Housing Feed Pump			
3	13325120	1	ROD,PUSH			
4	13325106	2	Valve			
5	13325105	2	Spring			
6	13325104	2	Washer			
7	13325103	1	Support			
8	17425102	1	Pump S/Assy,PRIMING			
9	13325112	1	Screw, Racord			
10	17425106	4	Washer,Pipe Union			
11	13325115	1	Tappet			
12	13325118	1	Roller			
13	13325117	1	Pin,Roller			
14	13325116	2	Block			
15	13325119	2	Ring			
16	13325110	1	Spring			
17	13325109	1	Washer			
18	13325108	1	Plug			
19	13325113	1	Filter			
20	13325111	1	Piston			
21	17425105	1	Srew,Hollow			
NS	17425121	1	Seal,Oil			



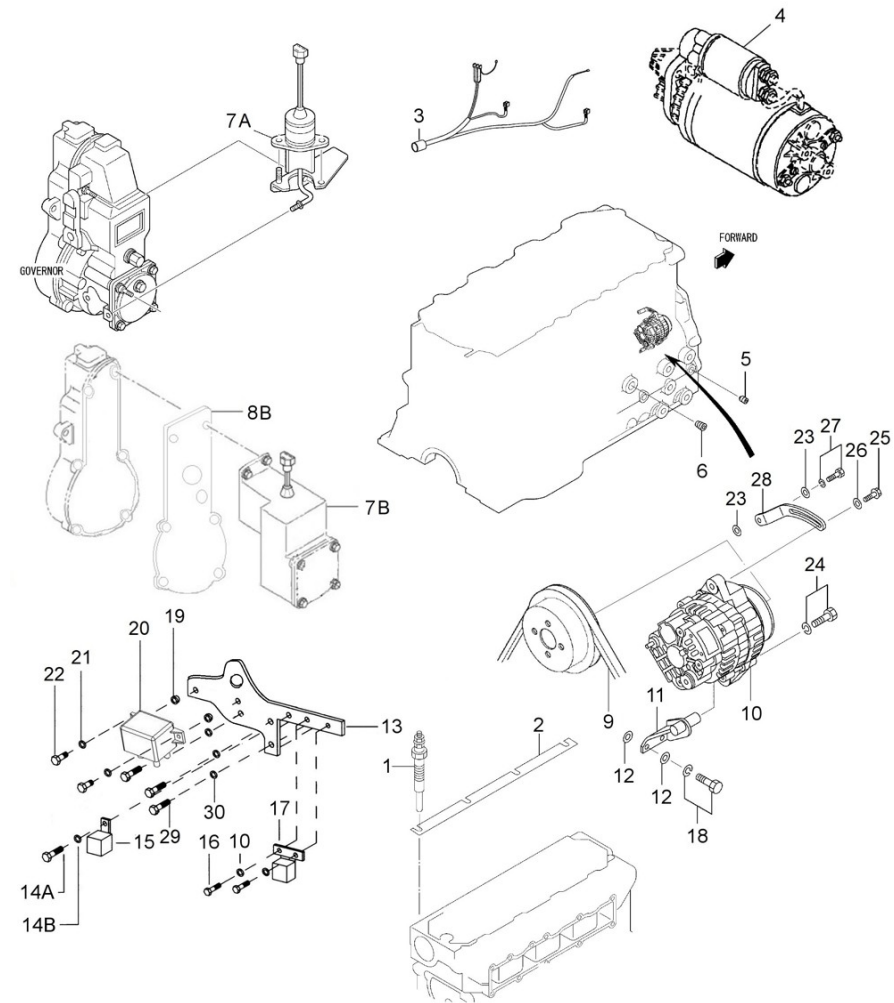
D_MI63GSTDN_05_1 Electrical System 12V

Fig.	Ref.	Qty.	Descr.	Obs	From	UpTo
1	17127017	4	Plug, glow			
2	17127018	1	Plate, Connection			
3	60971206	1	Elect. Inst. G. MINI-63 DNV			
4	17127001	1	Starter Assy 12 V			
5	17820011	1	Plug, Tapered			
6	17120021	1	Plug,taper			
7A	17424025G	1	Solenoid			
Figure A for Standard System						
7B	60972516	1	G.A.C 175 Series 12V Integrated Actuator			
Figure b for Parallel System						
8B	60972518	1	Assembly kit for 175 series actuator			
Figure b for Parallel System						
9	15217103	1	Belt Type AX 38EP 965			
10	17427011G	1	Alternator 12V/50A			
11	17127002G.1	1	Bracket Assy, Front			
12	17117024	4	Bracket Bakelite Bushing			
13	17117033	1	SUPPORT,RELAY			
14A	52102104	1	Bolt DIN 933 M5-10 8.8			
14B	51030005	1	Washer DIN 125-5			
15	18217005	1	Relay 12V 12-100			
16	52102155	2	Bolt DIN 933 M6-12 8.8			
17	13827005	1	Glow Relay			
18	17720010	2	Bolt,W/Washer			
19	17617006	2	Spacer 6,5X12X5			
20	19017113	1	Relay 12V Earth Isolated Nagares			
21	51030006	2	Washer DIN 125-6			
22	52102156	2	Bolt DIN 933 M6-16 8.8			
23	17117012	2	Tensor Bakelite Bushing			
24	17127004G	1	Bolt			
25	13827012	1	Bolt			
26	51031008	1	Washer DIN 9021 8			



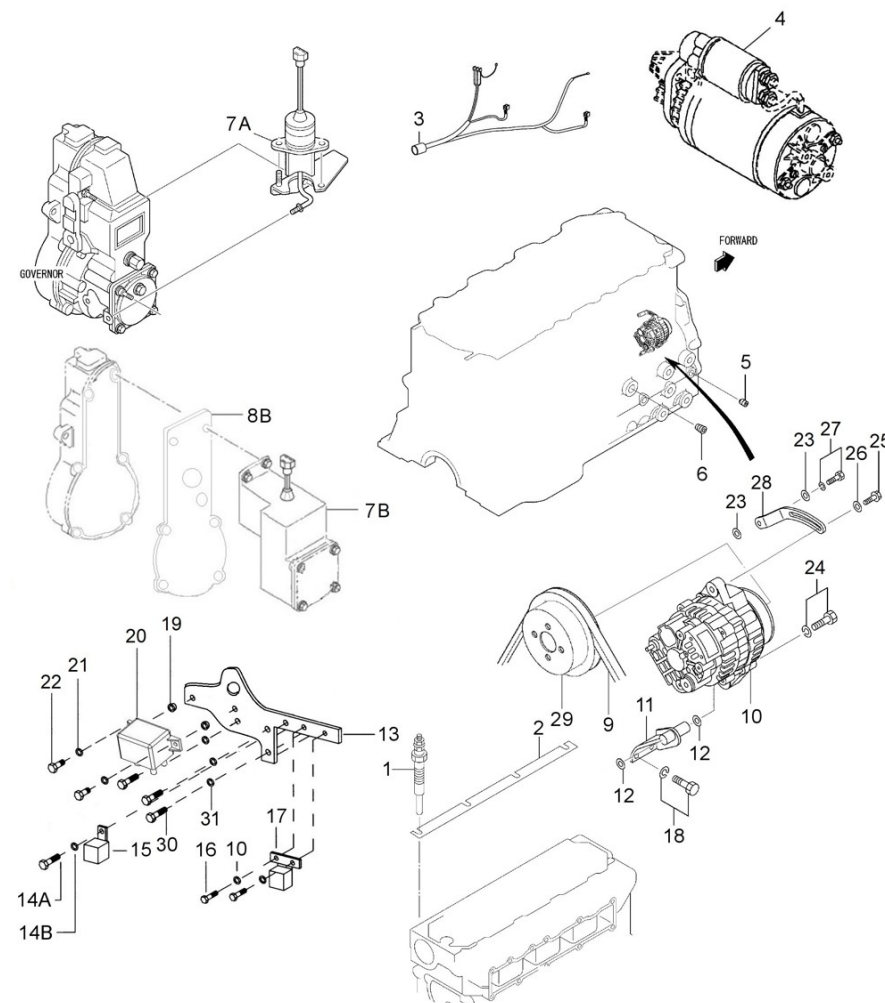
D_MI63GSTDN_05_1 Electrical System 12V

Fig.	Ref.	Qty.	Descr.	Obs	From	UpTo
27	17421012G.1	1	Bolt W/Washer (Generator)			
28	17127007G.1	1	BRACE Generator			
29	52102258	3	Bolt DIN 933 M8-25 8.8			
30	53033008	3	Washer GROWER DIN 127-8			
NS	60900028	2	Diode 25A. DS-1712A			
NS	60975048	1	Mass Black To Wiring Start			



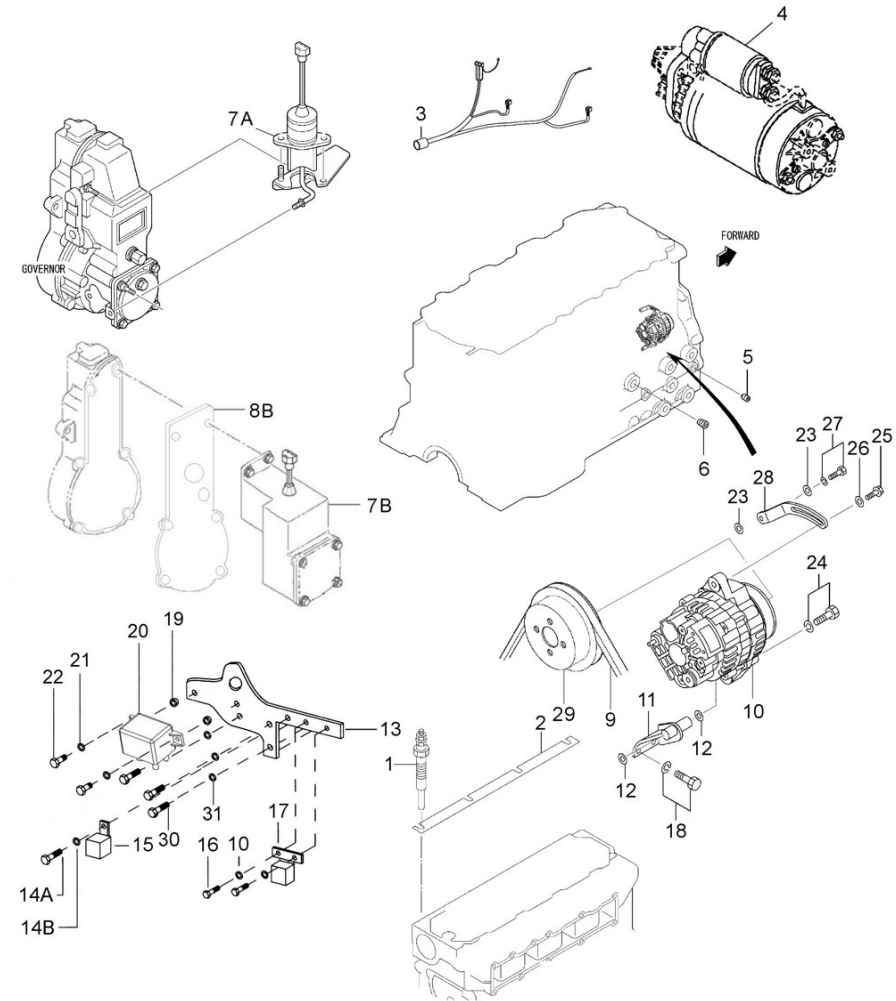
D_MI63GSTDN_05_2 Electrical System 24V

Fig.	Ref.	Qty.	Descr.	Obs	From	UpTo
1	17527017.2	4	Glow Plug 24V			
2	17127018	1	Plate, Connection			
3	60971206	1	Elect. Inst. G. MINI-63 DNV			
4	17127001.2	1	Starter Assy 24V			
5	17820011	1	Plug, Tapered			
6	17120021	1	Plug,taper			
7A	17425264.2	1	Solenoid 24V			
Figure A for Standard System						
7B	60972520	1	G.A.C. 175 Series 24V Integrated Actuat.			
Figure b for Parallel System						
8B	60972518	1	Assembly kit for 175 series actuator			
Figure b for Parallel System						
9	17117021	1	Belt Type SPAX 1030 / RECMF-6395			
10	17417024	1	Alternator 28V/55A			
11	17127002.5	1	Bracket Assy, 2nd Alternator			
12	17117011	2	Bracket Bakelite Bushing			
13	17117033	1	SUPPORT,RELAY			
14A	52102104	1	Bolt DIN 933 M5-10 8.8			
14B	51030005	1	Washer DIN 125-5			
15	17417005	1	Relay 24V 24-100			
16	52102155	2	Bolt DIN 933 M6-12 8.8			
17	17527006	1	Glow Relay 24V			
18	17720010	2	Bolt,W/Washer			
19	17617006	2	Spacer 6,5X12X5			
20	19017114	1	Relay 24V Earth Isolated Nagares			
21	51030006	2	Washer DIN 125-6			
22	52102156	2	Bolt DIN 933 M6-16 8.8			
23	17117012	2	Tensor Bakelite Bushing			
24	17127004G	1	Bolt			
25	13827012	1	Bolt			
26	51031008	1	Washer DIN 9021 8			



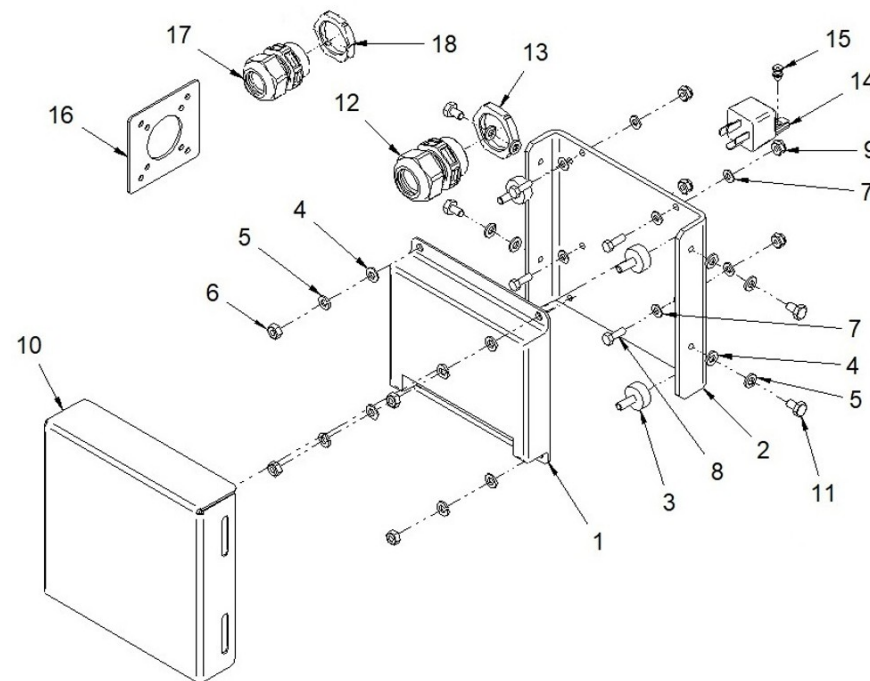
D_MI63GSTDN_05_2 Electrical System 24V

Fig.	Ref.	Qty.	Descr.	Obs	From	UpTo
27	17421012G.1	1	Bolt W/Washer (Generator)			
28	17127007.3	1	BRACE Generator			
29	17117022	1	Pulley Alternator, Type A			
30	52102258	3	Bolt DIN 933 M8-25 8.8			
31	53033008	3	Washer GROWER DIN 127-8			
NS	60900028	2	Diode 25A. DS-1712A			



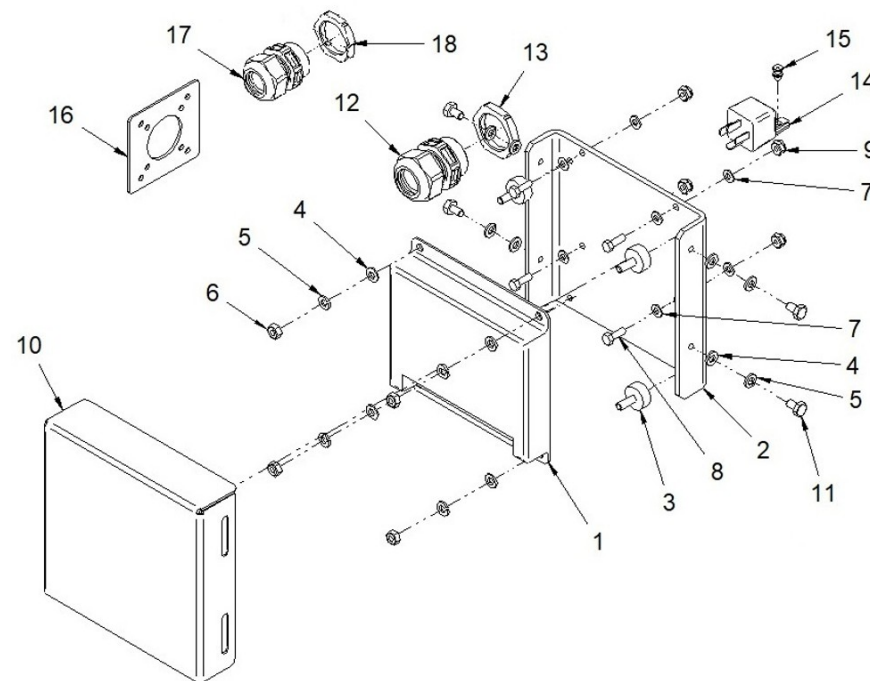
D_MI63GSTDN_05_3 Parallel control system 12V

Fig.	Ref.	Qty.	Descr.	Obs	From	UpTo
1	60972521	1	Speed Control Unit G.A.C. ESD-5500 Ser.			
2	17317007	1	Electronic Unit Bracket			
3	17A14009	4	Anti Vibration Mount M6			
4	51030006	8	Washer DIN 125-6			
5	53033006	8	Washer GROWER DIN 127-6			
6	52120006	4	Nut DIN 934 M6 8.8			
10	17317008	1	Parallel electronic unit cover			
11	52102154	2	Bolt DIN 933 M6-10 8.8			
12	60900306	1	Connector Press CAPTOR-2000 M25 RAL7001			
13	60900309	1	Screw Connector Press Captor-2000 M25			
14	63900028	1	Relay 12V 20/30A NO+NC			
15	52102156	1	Bolt DIN 933 M6-16 8.8			
16	60573041.25G	1	Connector Adapter Parallel			
17	60900305	1	Connector Press PA Grey IP98 M20			
18	60900308	1	Screw Connector Press PA Grey IP68 M20			
NS	59071224	1	Clamp RSGU 1 22/15 W1			15/11/2023
NS	59071324	1	Clamp RSGU 1 32/15 W1		15/11/2023	
NS	60972517	1	Connector for actuator Packard type			
NS	60974223DNV	1	Auxiliary Installation Parallel TAC Genset			



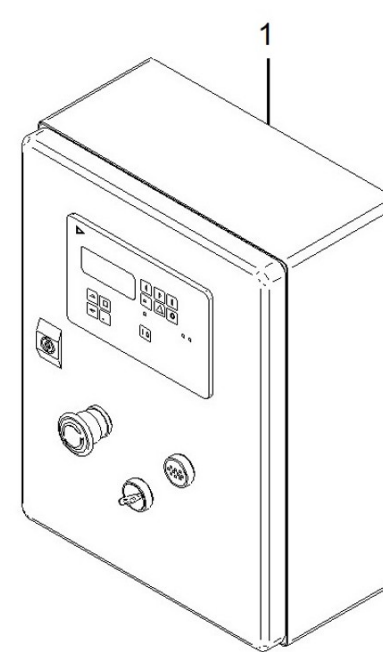
D_MI63GSTDN_05_4 Parallel control system 24V

Fig.	Ref.	Qty.	Descr.	Obs	From	UpTo
1	60972521	1	Speed Control Unit G.A.C. ESD-5500 Ser.			
2	17317007	1	Electronic Unit Bracket			
3	17A14009	4	Anti Vibration Mount M6			
4	51030006	8	Washer DIN 125-6			
5	53033006	8	Washer GROWER DIN 127-6			
6	52120006	4	Nut DIN 934 M6 8.8			
10	17317008	1	Parallel electronic unit cover			
11	52102154	2	Bolt DIN 933 M6-10 8.8			
12	60900306	1	Connector Press CAPTOR-2000 M25 RAL7001			
13	60900309	1	Screw Connector Press Captor-2000 M25			
14	63900029	1	Relay 24V 10/20A NO+NC			
15	52102156	1	Bolt DIN 933 M6-16 8.8			
16	60573041.25G	1	Connector Adapter Parallel			
17	60900305	1	Connector Press PA Grey IP98 M20			
18	60900308	1	Screw Connector Press PA Grey IP68 M20			
NS	59071224	1	Clamp RSGU 1 22/15 W1			15/11/2023
NS	59071324	1	Clamp RSGU 1 32/15 W1		15/11/2023	
NS	60972517	1	Connector for actuator Packard type			
NS	60974223DNV	1	Auxiliary Installation Parallel TAC Genset			



D_MI63GSTDN_05_5 Control Cabinets

Fig.	Ref.	Qty.	Descr.	Obs	From	UpTo
1C	6097A215	1	Box CO 40 17/25/35/45/50/68 GT TAC 12V			
1D	6097A220	1	Box CO 40 17/25/35/45/50/68 GT TAC 24V			
2A	60971717	1	Parallel Kit 25 GT 400/230V TAC Control and Power 12			
2B	60971718	1	Parallel Kit 25 GT 400/230V TAC Control and Power 24			
2C	60971715	1	Parallel Kit 25 GT 230V TAC Control and Power 12V			
2D	60971716	1	Parallel Kit 25 GT 230V TAC Control and Power 24V			
2E	60971723	1	Parallel Kit 30 GTA 480/277V TAC Control and Power 1			
2F	60971724	1	Parallel Kit 30 GTA 480/277V TAC Control and Power 2			
2G	60971721	1	Parallel Kit 30 GTA 240V TAC Control and Power 12V			
2H	60971722	1	Parallel Kit 30 GTA 240V TAC Control and Power 24V			
2I	60971711	1	Parallel Kit 20 GS 230V TAC Control and Power 12V			
2J	60971712	1	Parallel Kit 20 GS 230V TAC Control and Power 24V			
2K	60971713	1	Parallel Kit 25 GSA 240V TAC Control and Power 12V			
2L	60971714	1	Parallel Kit 25 GSA 240V TAC Control and Power 24V			



D_1138T Genset Extension TAC

Fig.	Ref.	Qty.	Descr.	Obs	From	UpTo
1A	6097A216	1	Wiring Extension Genset TAC 6 M.			
1B	6097A218	1	Wiring Extension TAC Genset 12 M. CPC 37 V.			
1C	60974552	1	3-way Wiring Wxtension for Auxiliary Kits 4 m			
1D	60900165	1	3-way Wiring Extension for Auxiliary Kits 6 m			
1F	60900166	1	3-way Wiring Extension for Auxiliary Kits 12 m			
1G	60900167	1	3-way Wiring Extension for Auxiliary Kits 24 m			
1H	60972104	1	Double Panel SCO 12 M. Harness			
1I	60972105	1	Double Panel SCO 24 M. Harness			
1J	60972110	1	Double Panel SCO 36 M. Harness			
1K	60974227.12	1	AVR External Control Cable 12m.			
1L	60974228.12	1	ECU External Control Cable 12m.			
1M	60974227.24	1	AVR External Control Cable 24m.			
1N	60974228.24	1	ECU External Control Cable 24m.			



Genset 25 GT/GTC & 30 GTA/GTAC Type Approval Certificate **Genset Alternator Spare Parts**

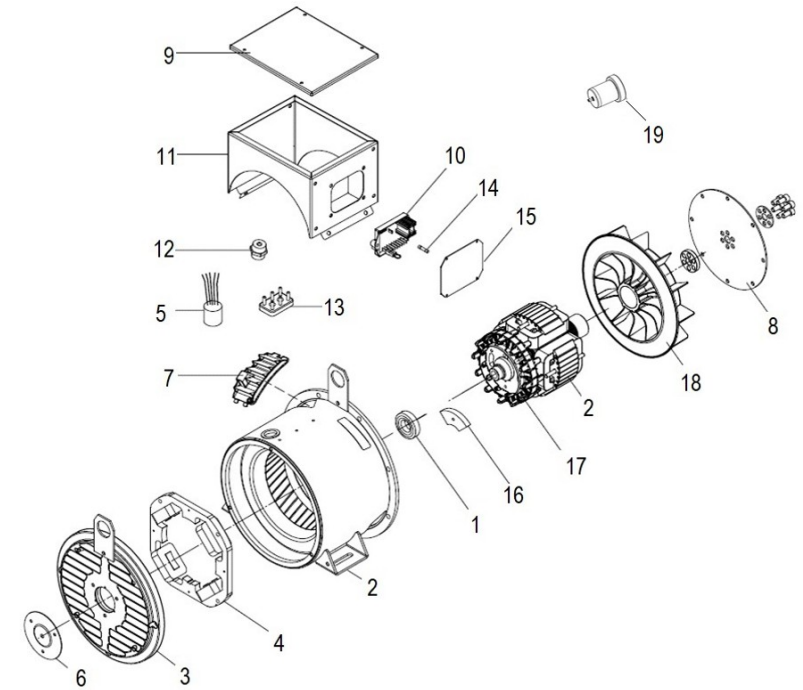
D_MI63GTDN_06_1 Alternator 25 GT/GTC and 30 GTA/GTAC TAC

Fig.	Ref.	Qty.	Descr.	Obs	From	UpTo
1A	605113024Z0RS	1	Sincro Alternator III 24KVA 1500RPM 400/230V Certifi			
1B	605113024Z0RC	1	Sincro Alternator III 24KVA 1500RPM 400/230V Certifi			
1C	605113024Z1RS	1	Sincro Alternator III 24KVA 1500RPM 230V Certificate			
1D	605113024Z1RC	1	Sincro Alternator III 24KVA 1500RPM 230V Certificate			
1E	605123029Z0RS	1	Sincro Alternator III 29KVA 1800RPM 480/277V Certifi			
1F	605123029Z0RC	1	Sincro Alternator III 29KVA 1800RPM 480/277V Certifi			
1G	605123029Z1RS	1	Sincro Alternator III 29KVA 1800RPM 240V Certificate			
1H	605123029Z1RC	1	Sincro Alternator III 29KVA 1800RPM 240V Certificate			



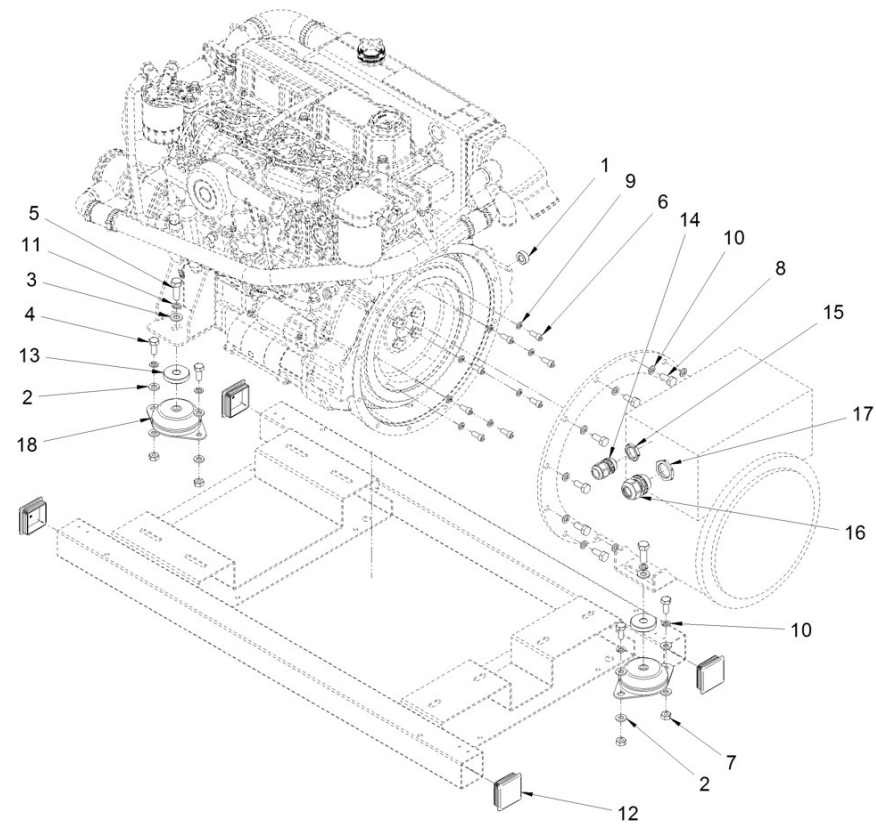
D_60511325S Alternator Spare Parts

Fig.	Ref.	Qty.	Descr.	Obs	From	UpTo
1	60511325S.1	1	Bearing 6206 2RS/C3			
2	(*)	1	Not available			
3	60511107S.13	1	Rear Shield			
4	60511325S.2	1	Exciter stator SK160C-, M-, L-			
5	60574340S.12	1	EMC Filter			
6	60511325S.3	1	Rear shield cover			
7	60511336S.03	1	IP23 Grid			
8	60511325S.4	1	Kit disks 7,5"			
9	60511336S.01	1	Top Cover			
10	60511107S.35.1	1	Electronic Board AVR BL4 U			
11A	60511336S.13	1	Terminal Box			
11B	60511336S.14	1	Terminal Box			
12A	60511325S.5	1	M6 insulator clamp			
12B	60511336S.02	1	M8 Insulator Clamp			
13A	60511325S.7	1	M6 terminal board			
13B	60511336S.04	1	M8 Terminal Board			
14	60511336S.05	1	Fuse 5x20 3,15A F			
15	60511336S.06	1	Cover on Regulator Side			
16	60574340.10	1	Diode Bridge SK160-S/C/L/M			
17	60511325S.6	1	Exc. rotor SK160C-, M-, L- 4P			
18	60511336S.11	1	Fan SK160W- 4p			
19	UMSINCRO1	1	SINCRO SK160 Special Tool			



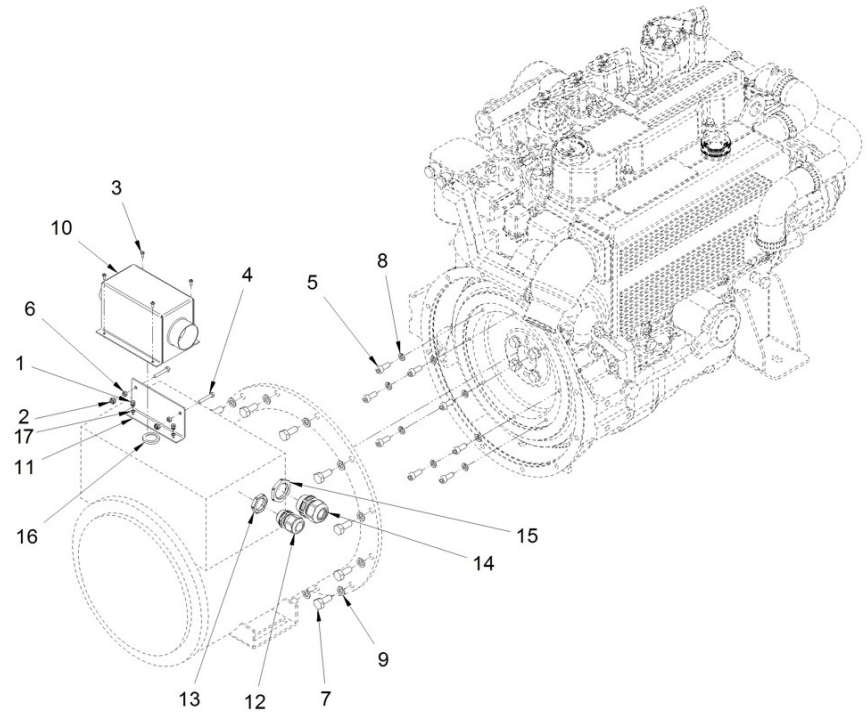
D_60571068 Alternator Kit Without Canopy

Fig.	Ref.	Qty.	Descr.	Obs	From	UpTo
1	19414022	1	Spacer 13X25X10			
2	51030010	16	Washer DIN 125-10			
3	51030012	4	Washer DIN 125-12			
4	52102307	8	Bolt DIN 933 M10-20 8.8			
5	52102361	4	Bolt DIN 933 M12-40 8.8			
6	52103257	8	Bolt DIN 912 M8-20 8.8			
7	52120010	8	Nut DIN 934 M10 8.8			
8	52202308	12	Screw DIN 961 8.8 M-10/1,25X25			
9	53033008	8	Washer GROWER DIN 127-8			
10	53033010	20	Washer GROWER DIN 127-10			
11	53033012	4	Washer Grower DIN 127-12			
12	60539019	4	LID (60 Tube)			
13	60574025	4	Washer			
14	60900306	1	Connector Press CAPTOR-2000 M25 RAL7001			
15	60900309	1	Screw Connector Press Captor-2000 M25			
16	60900310	1	Connector Press CAPTOR-2000 M32 RAL7001			
17	60900311	1	Screw Connector Press Captor-2000 M32			
18	61673001	4	Engine Mount Type F 35 SHA M12 H 34			07/03/2023
18	61673005	4	Engine Mount Type F BRB 80 B50 SHA M12 H 35			07/03/2023
NS	52102359	1	Bolt DIN 933 M12-30 8.8			
NS	53104257	4	Bolt DIN 7984 M8-20 12.9			
NS	58088284	2	Pastic Cable Zip Tie			
NS	60900159	1	Tubular Terminal			
NS	TR.1.5.8	4	Ring Terminal 1.5 Sec.			



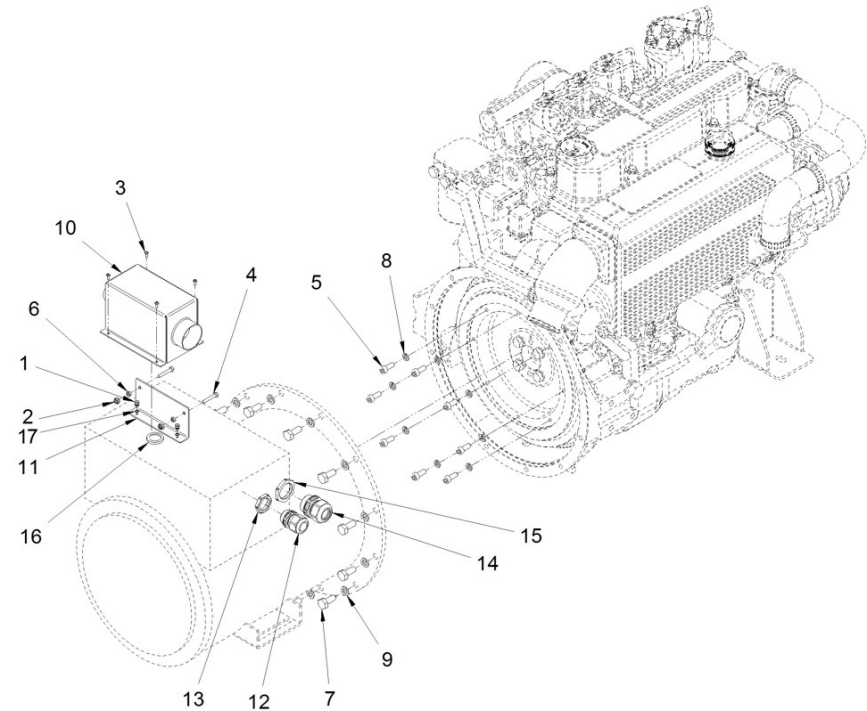
D_60571069 Alternator Kit With Canopy 400/230V y 480/277V

Fig.	Ref.	Qty.	Descr.	Obs	From	UpTo
1	52102104	2	Bolt DIN 933 M5-10 8.8			
2	51123005	4	Nut DIN 985 M5 5.6			
3	51918054	4	Bolt DIN 7981C 3,5-9,5			
4	52102110	2	Bolt DIN 933 M5-30 8.8 CINCADO			
5	52103257	8	Bolt DIN 912 M8-20 8.8			
6	52120005	2	Nut DIN 934 M5 8.8			
7	52202308	12	Screw DIN 961 8.8 M-10/1,25X25			
8	53033008	8	Washer GROWER DIN 127-8			
9	53033010	12	Washer GROWER DIN 127-10			
10	60573041.71	1	REGULATOR Bracket Box			
11	60573041.72	1	VOLT REGULATOR Bracket Box			
12	60900306	1	Connector Press CAPTOR-2000 M25 RAL7001			
13	60900309	1	Screw Connector Press Captor-2000 M25			
14	60900310	1	Connector Press CAPTOR-2000 M32 RAL7001			
15	60900311	1	Screw Connector Press Captor-2000 M32			
16	60900517	1	Cover,wiring			
17	51030005	8	Washer DIN 125-5			
NS	53104257	4	Bolt DIN 7984 M8-20 12.9			
NS	60900510	1	Emergency Stop PUSH BOTTOM			
NS	60900511	1	Stop PUSH BOTTOM Body			
NS	60974072A	1	Inst. Alt. To N Blue Breaker Sec. 16 - 800mm			
NS	60974072G	1	Inst. Alt. To "W" Gray Breaker Sec. 16 - 800mm			
NS	60974072M	1	Inst. Alt. To "V" Brown Breaker Sec. 16 - 800mm			
NS	60974072N	1	Inst. Alt. To "U" Black Breaker Sec. 16 - 800mm			
NS	60974085	1	FOUR PoleS 40A DISconnector			



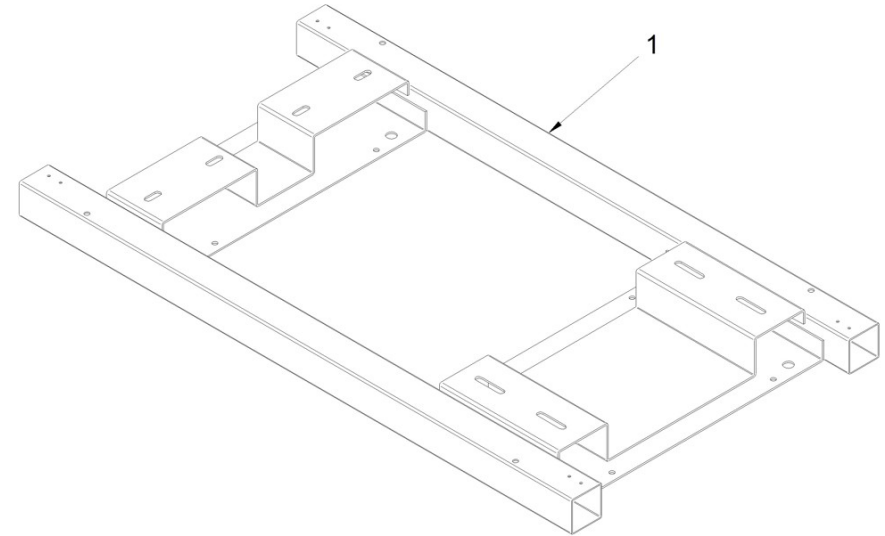
D_60571073 Alternator Kit With Canopy 230V y 240V

Fig.	Ref.	Qty.	Descr.	Obs	From	UpTo
1	52102104	2	Bolt DIN 933 M5-10 8.8			
2	51123005	4	Nut DIN 985 M5 5.6			
3	51918054	4	Bolt DIN 7981C 3,5-9,5			
4	52102110	2	Bolt DIN 933 M5-30 8.8 CINCADO			
5	52103257	8	Bolt DIN 912 M8-20 8.8			
6	52120005	2	Nut DIN 934 M5 8.8			
7	52202308	12	Screw DIN 961 8.8 M-10/1,25X25			
8	53033008	8	Washer GROWER DIN 127-8			
9	53033010	12	Washer GROWER DIN 127-10			
10	60573041.71	1	REGULATOR Bracket Box			
11	60573041.72	1	VOLT REGULATOR Bracket Box			
12	60900306	1	Connector Press CAPTOR-2000 M25 RAL7001			
13	60900309	1	Screw Connector Press Captor-2000 M25			
14	60900310	1	Connector Press CAPTOR-2000 M32 RAL7001			
15	60900311	1	Screw Connector Press Captor-2000 M32			
16	60900517	1	Cover,wiring			
17	51030005	8	Washer DIN 125-5			
NS	53104257	4	Bolt DIN 7984 M8-20 12.9			
NS	60900510	1	Emergency Stop PUSH BOTTOM			
NS	60900511	1	Stop PUSH BOTTOM Body			
NS	60971088	1	Disconnecter 63A 3 poles			
NS	60974072A	1	Inst. Alt. To N Blue Breaker Sec. 16 - 800mm			
NS	60974072G	1	Inst. Alt. To "W" Gray Breaker Sec. 16 - 800mm			
NS	60974072M	1	Inst. Alt. To "V" Brown Breaker Sec. 16 - 800mm			
NS	60974072N	1	Inst. Alt. To "U" Black Breaker Sec. 16 - 800mm			



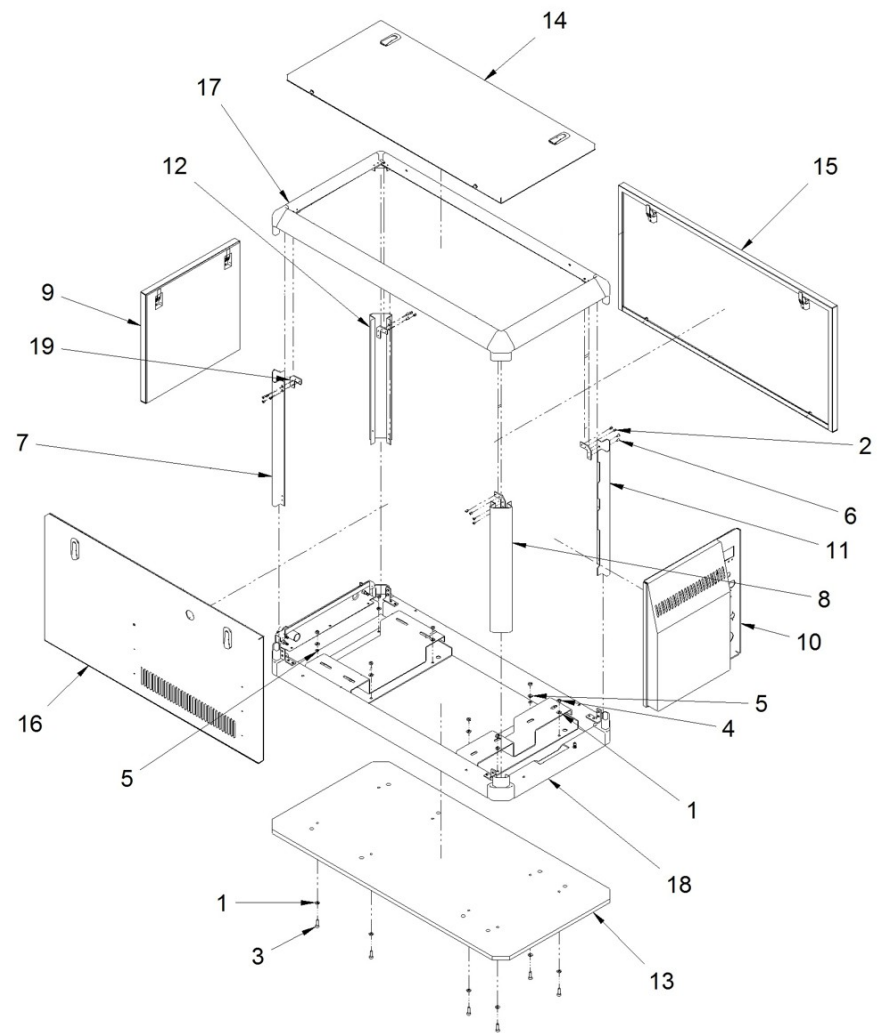
D_60571044.01 Chassis

Fig.	Ref.	Qty.	Descr.	Obs	From	UpTo
1	60571044.01	1	Genset CHASSIS			



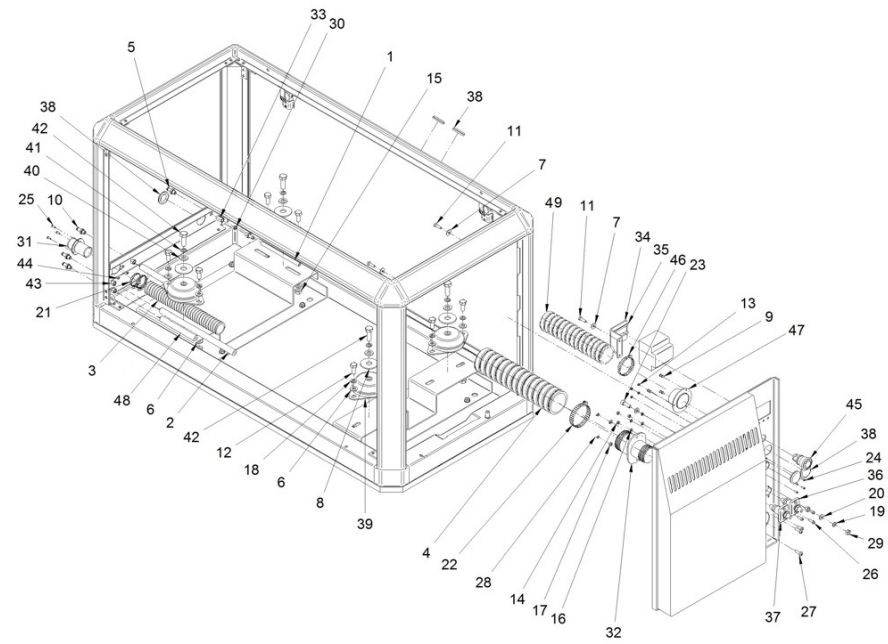
D_BJGK_4_1 Cabin

Fig.	Ref.	Qty.	Descr.	Obs	From	UpTo
1	51030008	16	Washer DIN 125-8			
2	51058054	22	Aluminium Rivet 4.0 X 10			
3	52103258	8	Bolt DIN 912 M8-25 8.8			
4	52120008	8	Nut DIN 934 M8 8.8			
5	53038008	2	Washer DIN 6798-A 8			
6	53105104	8	Bolt DIN 7991 M5-10 12.9			
7	60571043.03	1	VERTICAL BAR			
8	60571043.04	1	VERTICAL BAR			
9	60571043.24	1	FrontAL Panel			
10	60571043.25	1	Back Panel			
11	60571043.31	1	VERTICAL BAR			
12	60571043.32	1	VERTICAL BAR			
13	60571044.10	1	BASEBOARD			
14	60571044.20	1	Upper Panel			
15	60571044.21	1	Side Panel			
16	60571044.22	1	Air Output Panel			
17	60571044.30	1	Upper FRAME			
18	60571044.61	1	Bottom Frame			
19	60573041.43	4	L Fastening Bracket			



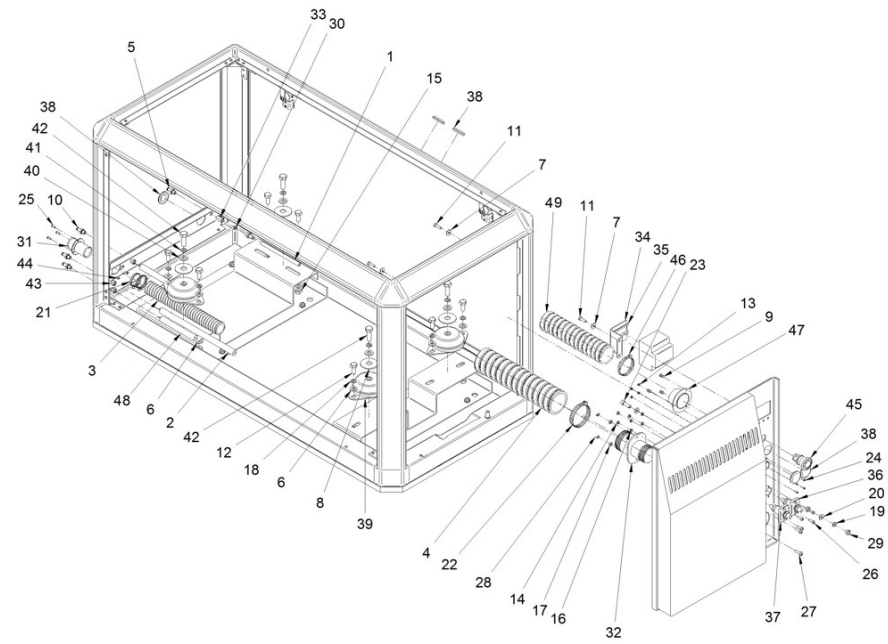
D_MI63GTDN_09_2 Canopy Kit

Fig.	Ref.	Qty.	Descr.	Obs	From	UpTo
1	M80501006	1	Hose D.10-6			
2	19414011	2	Fuel Hose			
3	M88503242	2	DNV Water Intake Hose D. 32-42			
4	M88506072	1.0	Exhaust Hose D. 60			
5	13814072	2	Straight Hose Connector 1/8" NPTF			
6	51030010	17	Washer DIN 125-10			
7	51031006	4	Washer DIN 9021 6			
8	51031016	4	Washer DIN 9021 16			
9	51058054	22	Aluminium Rivet 4.0 X 10			
10	19414030	3	STRAIGHT COUPLING 3/8			
11	52102157	4	Bolt DIN 933 M6-20 8.8			
12	52102307	8	Bolt DIN 933 M10-20 8.8			
13	52120003	4	Nut DIN 934 M3 8.8			
14	52120005	4	Nut DIN 934 M5 8.8			
15	52120010	8	Nut DIN 934 M10 8.8			
16	53033005	7	Washer GROWER DIN 127-5			
17	53033006	2	Washer GROWER DIN 127-6			
18	53033010	8	Washer GROWER DIN 127-10			
19	53038008	5	Washer DIN 6798-A 8			
20	54030008	3	Washer DIN 125-8 INOX.			
21	54082025	4	Clamp DIN 3017 25-40/12 W4			
22	54083079	2	GP Clamp 68-73 W4 STC			
23	54103258	1	Bolt DIN 912 M8-25 INOX.			
24	54118004	4	Bolt DIN 7985 M3-10 INOX			
25	54118054	3	Bolt DIN 7985 M4-10 INOX			
26	54118106	4	Bolt DIN 7985 M5-16 INOX			
27	54118157	2	Bolt DIN 7985 M6-20 INOX			
28	54120006	2	Nut DIN 934 M6 INOX			
29	54120008	2	Nut DIN 934 M8			
30	57000361	2	Washer 10-14-1,5			
31	60571015	1	Sea Water Wall PASS			



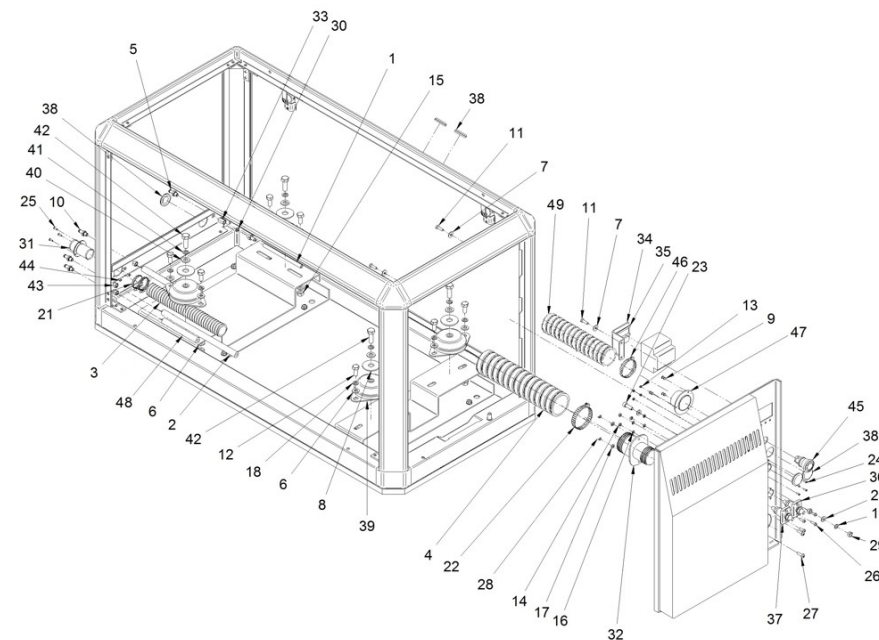
D_MI63GTDN_09_2 Canopy Kit

Fig.	Ref.	Qty.	Descr.	Obs	From	UpTo
32	60571014	1	Set Exhaust Wall PASS D60			
33	60573041.39	1	ROD Coupling 1/8 BSP			
34	60573041.42	1	L FASTENING Bracket With OMEGA			
35	60573041.64	1	Switch Disconnecter Omega Bracket			
36	60573047	1	Battery Plug IN			
37	60573048	1	Battery Plug IN			
38	60900508	5	Shutter 31			
39	61673001	4	Engine Mount Type F 35 SHA M12 H 34			07/03/2023
39	61673005	4	Engine Mount Type F BRB 80 B50 SHA M12 H 35		07/03/2023	
40	51030012	5	Washer DIN 125-12			
41	53033012	4	Washer Grower DIN 127-12			
42	52102359	4	Bolt DIN 933 M12-30 8.8			
43	19414031	3	BOLT 3/8			
44	52120004	3	Nut DIN 934 M4 8.8			
45	60900510	1	Emergency Stop PUSH BOTTOM			
46	54082032	4	Clamp DIN 3017 32-50/12 W4			
47	60573041.46	1	Air Connection D.50			
48	17A14007	1	Fuel Hose DNV			
49	M88565000	0.0	Air Aspiration Hose D. 50			
NS	51030005	4	Washer DIN 125-5			
NS	51030008	3	Washer DIN 125-8			
NS	52102256	1	Bolt DIN 933 M8-16 8.8			
NS	52102357	1	Bolt DIN 933 M12-20 8.8			
NS	53038010	1	Washer DIN 6798-A 10			
NS	53038012	1	Washer DIN 6798-A 12			
NS	54030006	2	Washer DIN 125-6 INOX.			
NS	54081016	2	Clamp DIN 3017 16-27/9 W4			
NS	58018160	4	Screw			
NS	58088284	11	Pastic Cable Zip Tie			
NS	58088285	2	Pastic Cable Zip Tie			
NS	59071404	2	Clamp 40/15 W1			

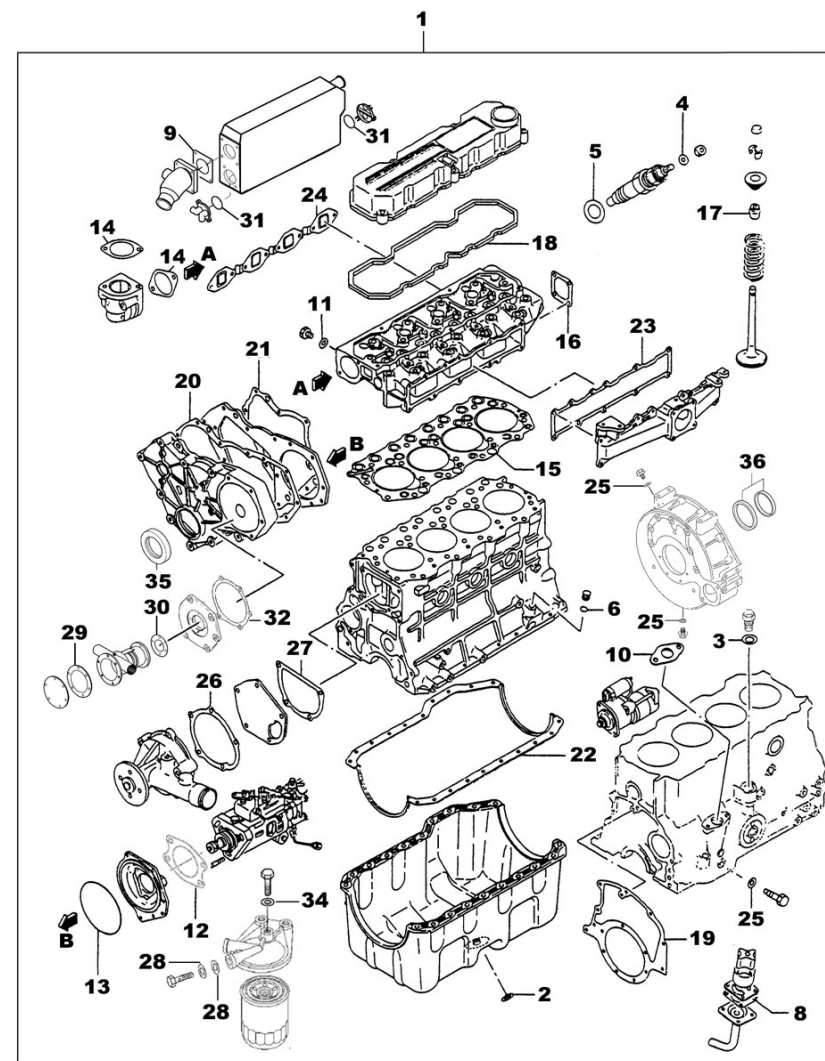


D_MI63GTDN_09_2 Canopy Kit

Fig.	Ref.	Qty.	Descr.	Obs	From	UpTo
NS	60573041.25G	1	Connector Adapter Parallel			
NS	60971038	1	Positive Battery RED Wiring Sec. 25 mm - 1.52 m			
NS	60972074	1	0,44 M. Back Panel To Alt. Wiring Ground			
NS	60972076	1	0,36 M. CHASSIS TO MOTOR Wiring GROUND			
NS	60972090	2	TER. PROTECTIVE 20 RED			
NS	60972091	2	TER. PROTECTIVE 20 BLACK			
NS	60973053	1	Sec. 25 Black 0,95 m Ter. 10/10 cable			
NS	60975073	1	CHASSIS 0,5 M. TO MOTOR Wiring GROUND			
NS	60994045	1	Ter. Protective 32 Red			
NS	M88564500	1.0	Air Aspiration Hose D. 45			

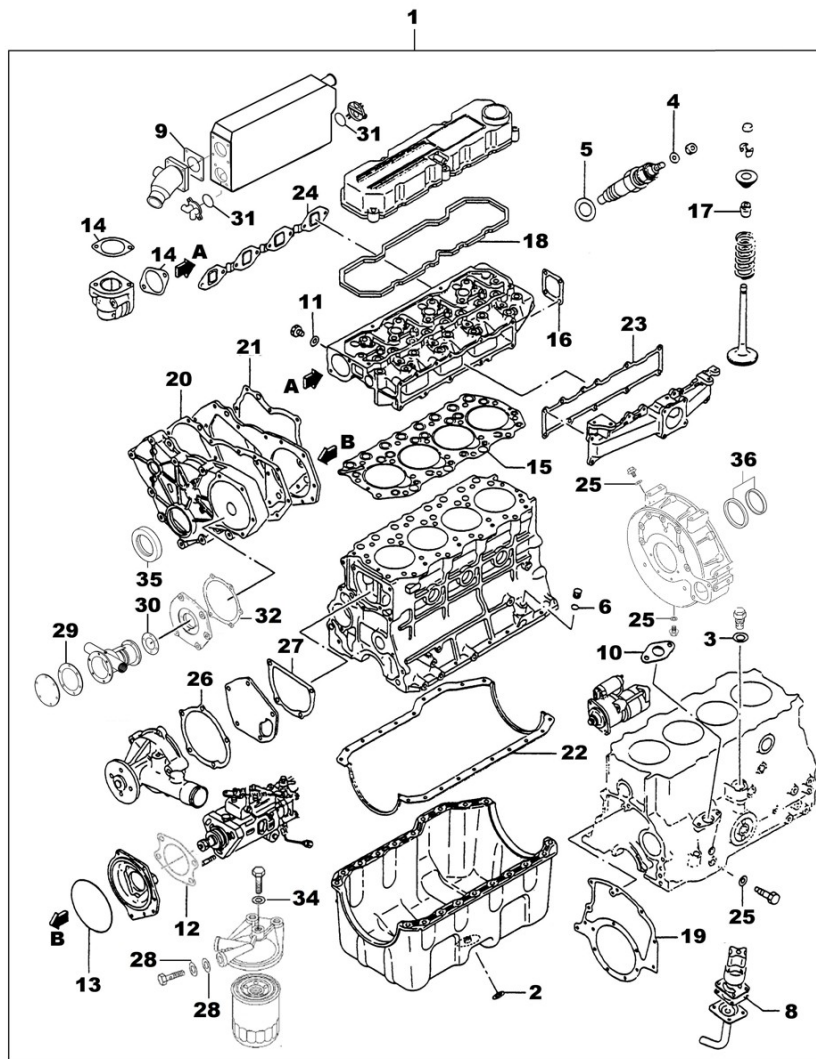


D_17120101G Gasket Kit					
Fig.	Ref.	Qty.	Descr.	Obs	From UpTo
1	17120101G	1	Kit Gasket		
2	17120074	1	Gasket		
3	17124063	1	Gasket		
4	17424025G.1	4	Gasket Fuel Return (Genset)		
5	13824013	4	Injector Washer		
6	17120058	1	O-Ring D. 13X2,5		
8	17124041	1	Gasket,STrainer		
9	17113016	1	Gasket		
10	17120041	1	Gasket		
11	17121013	2	Gasket		
12	17425028	1	Gasket		
13	13325001	1	O-Ring		
14	17111021	2	Gasket		
15	17121004	1	Gasket, cyl.head		
16	17121011	1	Gasket, head		
17	17122054	8	Seal,Valve Stem		
18	17121010	1	Rocker Cover Gasket		
19	17120025	1	Gasket,rear		
20	17120040	1	Gasket, timing Gear		
21	17120018	1	Gasket, front plate		
22	17120033	1	Gasket,oil pan		
23	17121032	1	Gasket, in manifold		
24	17121035	1	Gasket, Exhaust Manifold		
25	17124058	3	Gasket		
26	17121022	1	Gasket Water Pump		
27	17121041	1	Gasket		
28	17424008	4	Washer,SealING		
29	34711003	1	Gasket Cover		
30	13310013	1	Gasket,water pump		
31	18011008	2	O-Ring D. 72X3		
32	17120042	1	Gasket,cover		



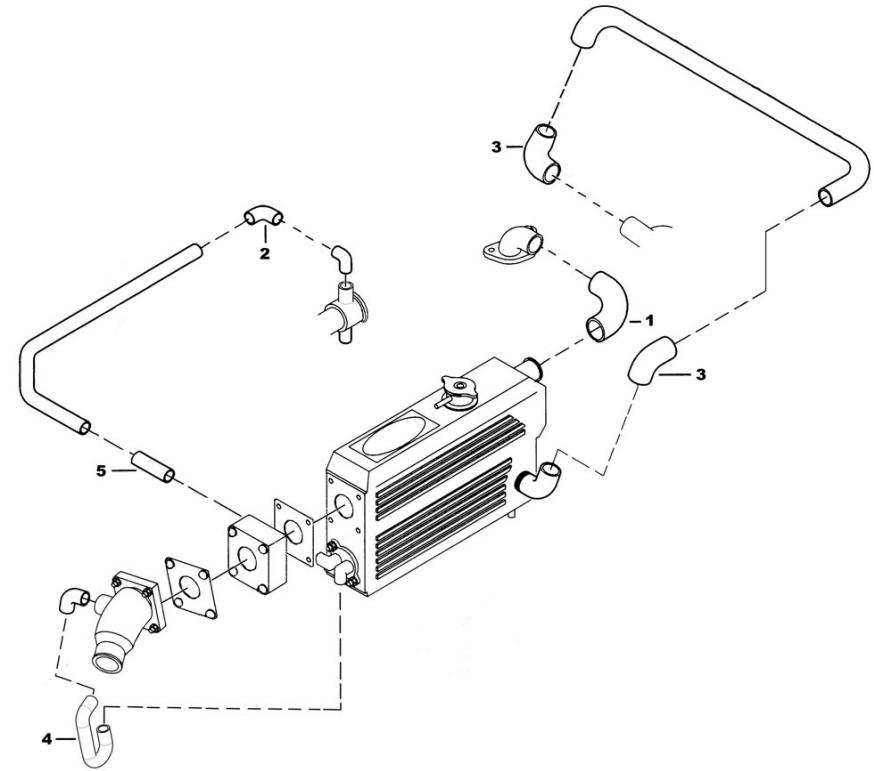
D_17120101G Gasket Kit

Fig.	Ref.	Qty.	Descr.	Obs	From	UpTo
34	13324011	1	Washer			
35	17120039	1	Seal, oil			
36	13320063	1	Seal Oil			



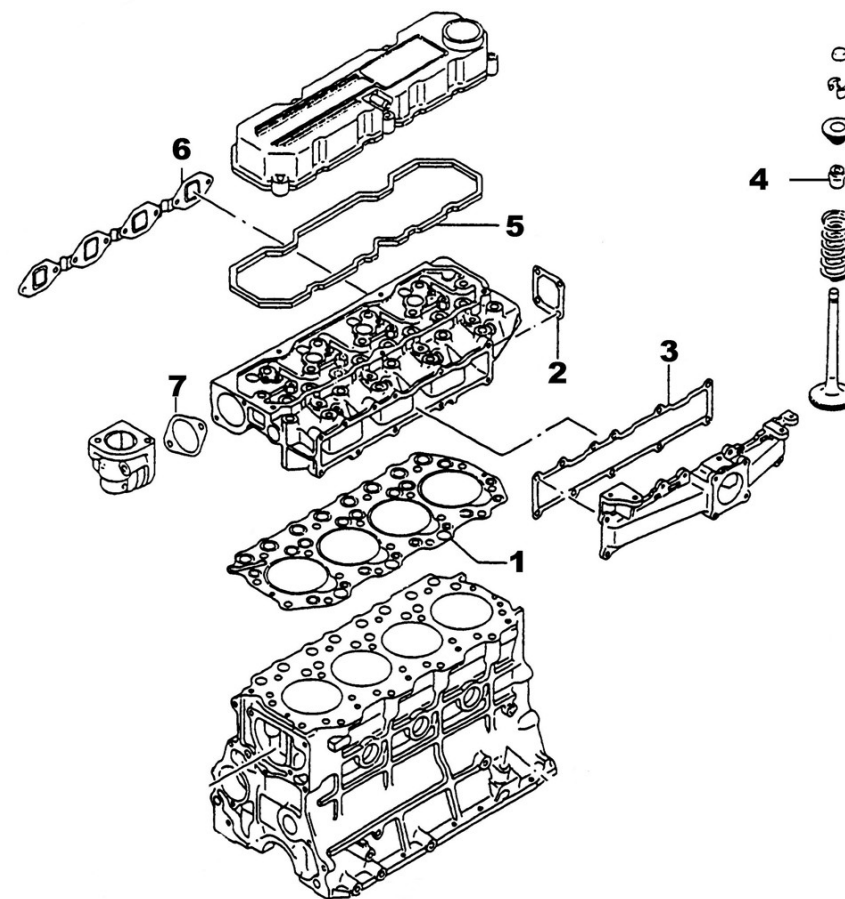
17111101G Pipe Rubber Set MINI-63 Genset TAC

Fig.	Ref.	Qty.	Descr.	Obs	From	UpTo
1	17111022	1	Elbow			
2	13211057	1	Rubber			
3	15211026	2	Elbow,rubber			
4	17111043	1	Hose			
5	13211037	1	Pipe 30-40-85			



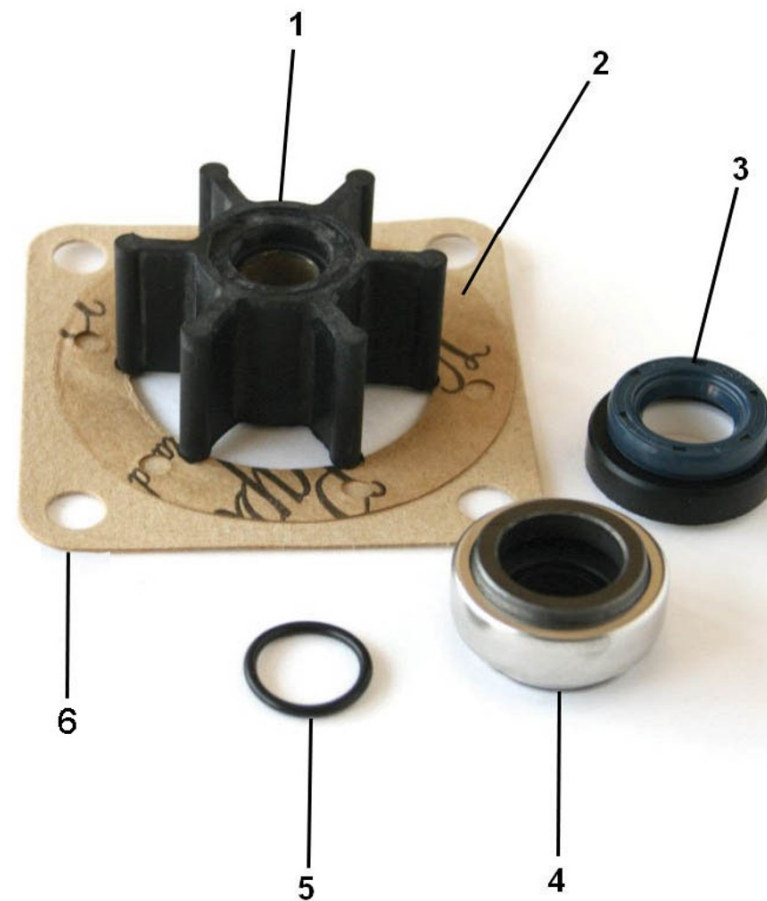
17120101.1 Gasket Kit

Fig.	Ref.	Qty.	Descr.	Obs	From	UpTo
1	17121010	1	Rocker Cover Gasket			
2	17122054	8	Seal,Valve Stem			
3	17121011	1	Gasket, head			
4	17121032	1	Gasket, in manifold			
5	17121004	1	Gasket, cyl.head			
6	17121035	1	Gasket, Exhaust Manifold			
7	17111021	1	Gasket			



36511000K Repair Kit Water Pump 1"

Fig.	Ref.	Qty.	Descr.	Obs	From	UpTo
1	34711008	1	1" Impeller			
2	34711003	1	Gasket Cover			
3	36511020	1	Seal 16-30-7			
4	36511019	1	Seal			
5	33311013	1	O-Ring D. 15X2			
6	13310013	1	Gasket,water pump			



D_UTILFA0958_1 Special Tools

Fig.	Ref.	Qty.	Descr.	Obs	From	UpTo
1	U3069102700	1	Valve Sheet Insert Caulking Tool - Inlet			
2	U3069102800	1	Valve Sheet Insert Caulking Tool -Exhaust			
3	U3069104500	1	Valve Spring Pusher			
4	U3069113010	1	Oil seal sleeve installer set			
5	U3069121100	1	Gauge Adapter			
6	U3069151900	1	Idler Bushing Puller			
7	U3069158100	1	Piston Guide			
8	UMM74007	1	Piston Ring Pliers			
9	U32A9100300	1	Valve Guide Remover			
10	U32C9100300	1	Valve Guide Installer			
11	U32C9100500	1	Front Oil Seal Installer			
12	U32C9110400	1	Stem seal installer			
13	19440400.2	1	Compression Manometer 10-60 Bar			
14	UMH061077	1	Idler Shaft Puller			

