



# Genset 50 GT/GTC & 60 GTA/GTAC Type Approval Certificate

VERSION 2024-5

PART LIST



# PARTS LIST CATALOGUE

## NORMS TO PLACE AN ORDER

For fast and more efficient service, please specify the following information on spare parts orders that must be preferably done by e-mail as specified below:

- 1- Engine model: As shown in identification plate
- 2- Engine serial number: As shown in identification plate and stamped on crankcase
- 3- Item description + part number + quantity required

---

Spare parts requests must be addressed to :

[orders@solediesel.com](mailto:orders@solediesel.com)

Telf.: +34 93 775 44 05

---

The components shown in the catalog have:

- Figure: Number by which they are represented in scheme
- Description: Trade name of the component
- Quantity: Total number of parts used in the assembly of the part represented (may differ from the total minimum quantities)

Hoses, indicates the total length in meters

---

The diagrams shown in this catalog of spare parts, have only the purpose to identify the piece in question, its representation is not meaningful and may differ from the actual piece.

In case of doubt, contact Solé Diesel, or your authorized dealer.

The parts i / or references in this catalog are subject to change without notice.

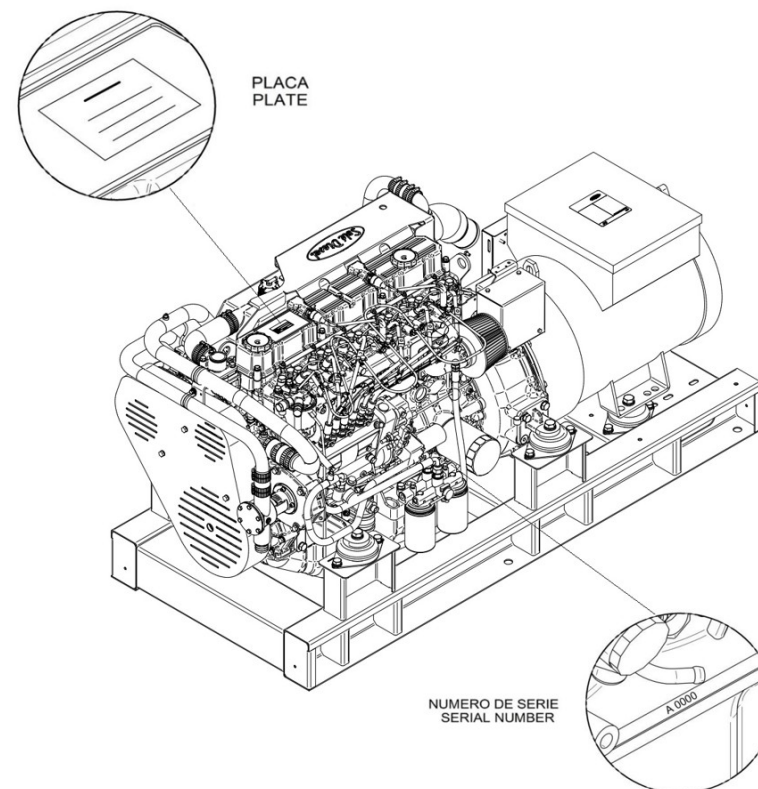
---

**SOLE, S.A.**

C-243b, km, 2

08760 Martorell (Barcelona) Spain

---



# Index

## Engine Body

- Cylinder Head
- Rocker Cover & Breather
- Valve Drive
- Timing Parts
- Gear Case
- Crankcase
- Rear Plate
- Piston & Connection Rod
- Crankshaft & Flywheel
- Oil System
- Oil Pan
- Engine Brackets
- Drive Belt Guard For Genset Without Cabin

## Inlet & Exhaust

- Inlet

## Cooling System

- Water Pump
- Cooler Pipes
- Water Cooler Assy SM-105 TAC (R)
- Wet Exhaust
- Cross Brace Pump from 74 to 616

## Fuel System

- Fuel Pipe And Fuel Leak Alarm
- Injection Nozzle
- Governor Parts
- Kit 2nd Fuel Filter TAC

## Electrical System

- Electrical System 12V
- Electrical System 24V
- Parallel Control System 12V
- Parallel Control System 24V
- Control and Power Cabinets
- Genset Extension TAC

## Genset Alternator Spare Parts

- Alternator 50 GT/GTC & 60 GTA/GTAC
- Alternator Spare Parts TYPE C From 30/12/2021
- Spare Part List Alternator Type B Upto 29/12/2021

## Genset Alternator Kit

- Alternator Kit Without Cabin

## Chassis Spare Parts

- SM-81 Engine Bed

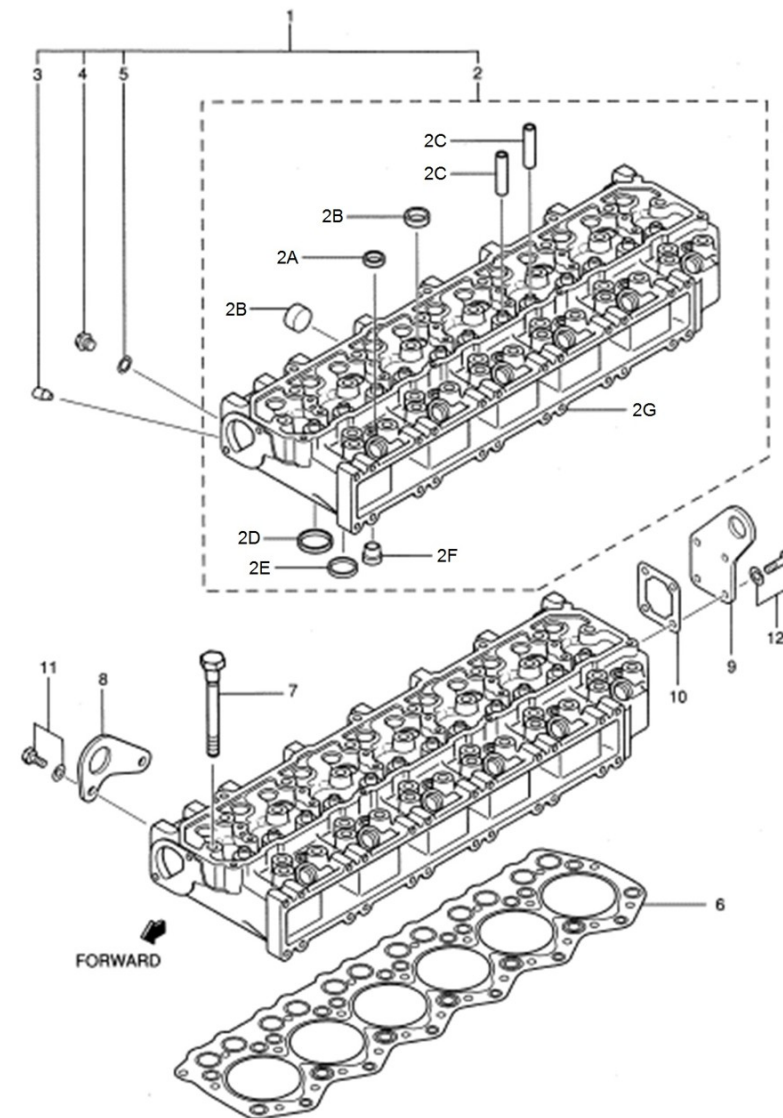
- Cabin
- Cabin Kit

## Maintenance Kit

- Gasket Kit
- Pipe Rubber Set SM-105 Genset TAC
- Repair Kit Water Pump 1"
- Special Tools
- Special Tools

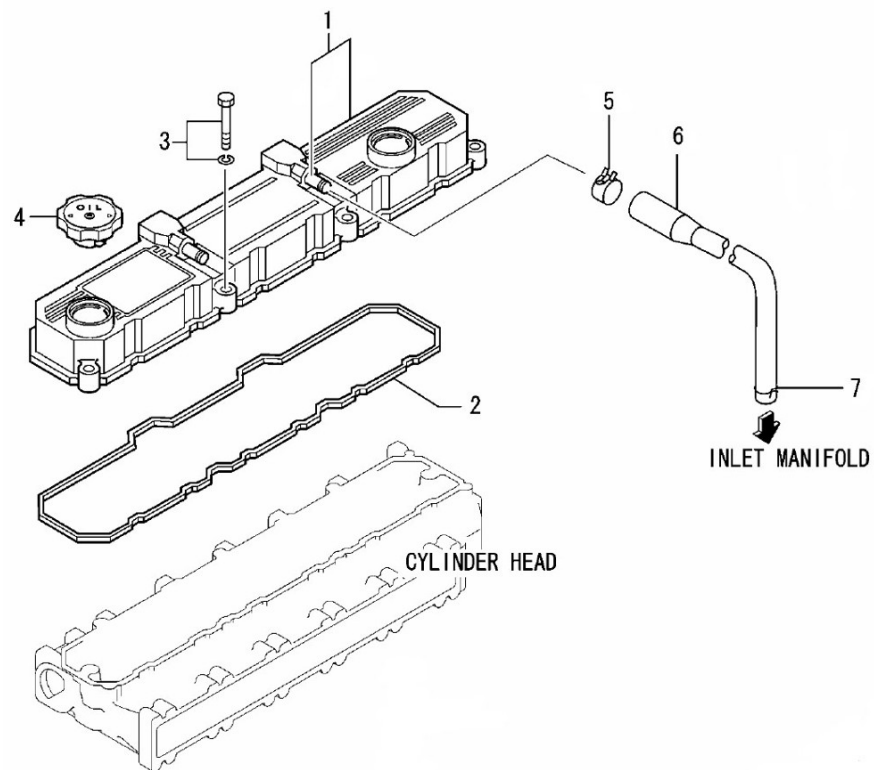
D\_GH02\_1\_1 Cylinder Head

Fig.	Ref.	Qty.	Descr.	Obs	From	UpTo
1	17521001	1	Head Assy,Cylinder			
2A	17220006	12	Cap, Sealing			
2B	13220012	1	Cap Sealing			
2C	17421002	12	Guide,Valve			
2D	17421061	6	Seat,Valve,IN			
2E	17421062	6	Seat,Valve,Exhaust			
2F	17421015	6	JET,COMBUSTION			
2G	(*1)	1	Not available			
3	(*)	1	Not available			
4A	17427080	1	Switch,Thermo			
Figure A for Standard System						
4B	60900973	1	High Coolant, 2 Poles 95° SG			
Figure b for Parallel System						
5	17121013	1	Gasket			
6	17521004	1	Cylinder Head Gasket			
7	17421005	25	Bolt,cylinder head			
8	17420014	1	Eye,Lifting,Front			
9	17421018	1	Eye,Lifting;Head Rea			
10	17421011	1	Gasket			
11	13820043	2	Bolt,W/Washer			
12	17121012	4	Bolt, w/washer			



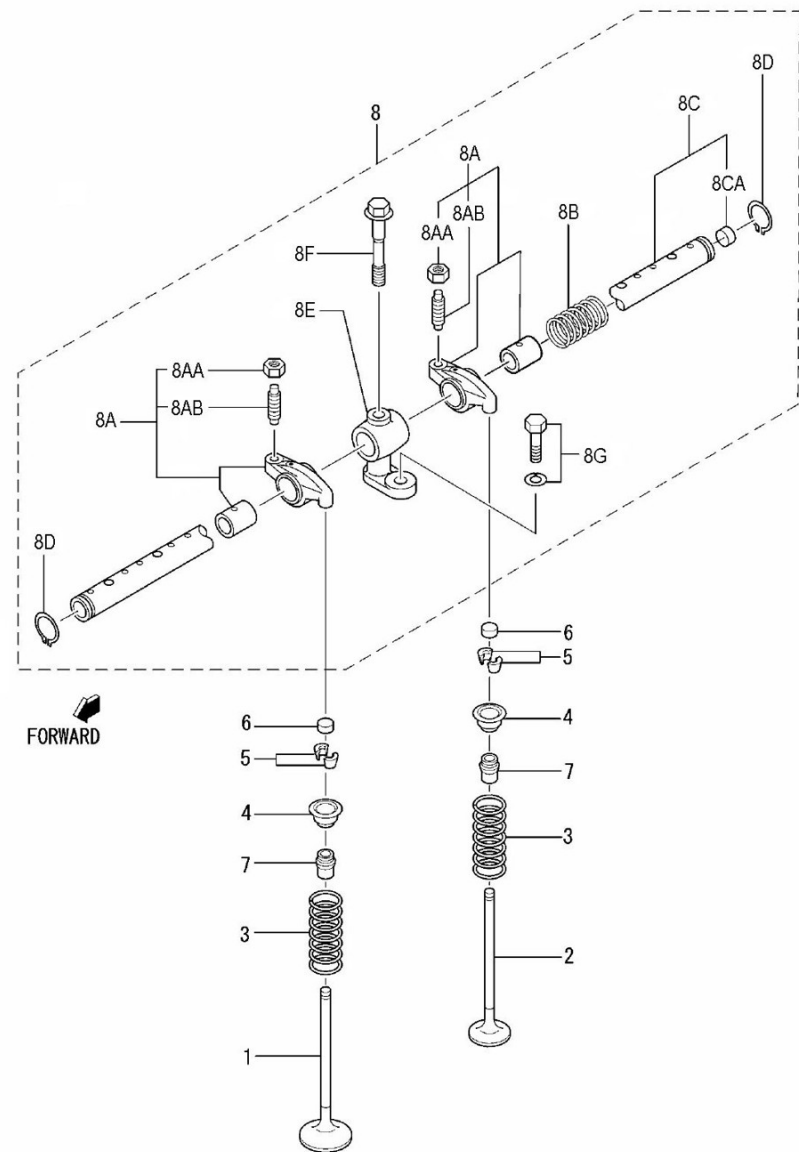
**D\_MI10\_1\_2** **Rocker Cover & Breather**

Fig.	Ref.	Qty.	Descr.	Obs	From	UpTo
1	17521009	1	Cover Assy,Rocker			30/07/2010
1	17521011	1	Cover Assy,Rocker		30/07/2010	
2	17521010	1	Gasket,Rocker Cover			
3A	52101261	7	Bolt DIN 931 M8-40 8.8			
3B	53033008	7	Washer GROWER DIN 127-8			
4	13221003	2	Cap Oil FILLER			
5	17521007	2	Clip,Hose			
6	17521006	2	Hose,BREATHER			
7	17521007.1	2	Clamp,Hose			



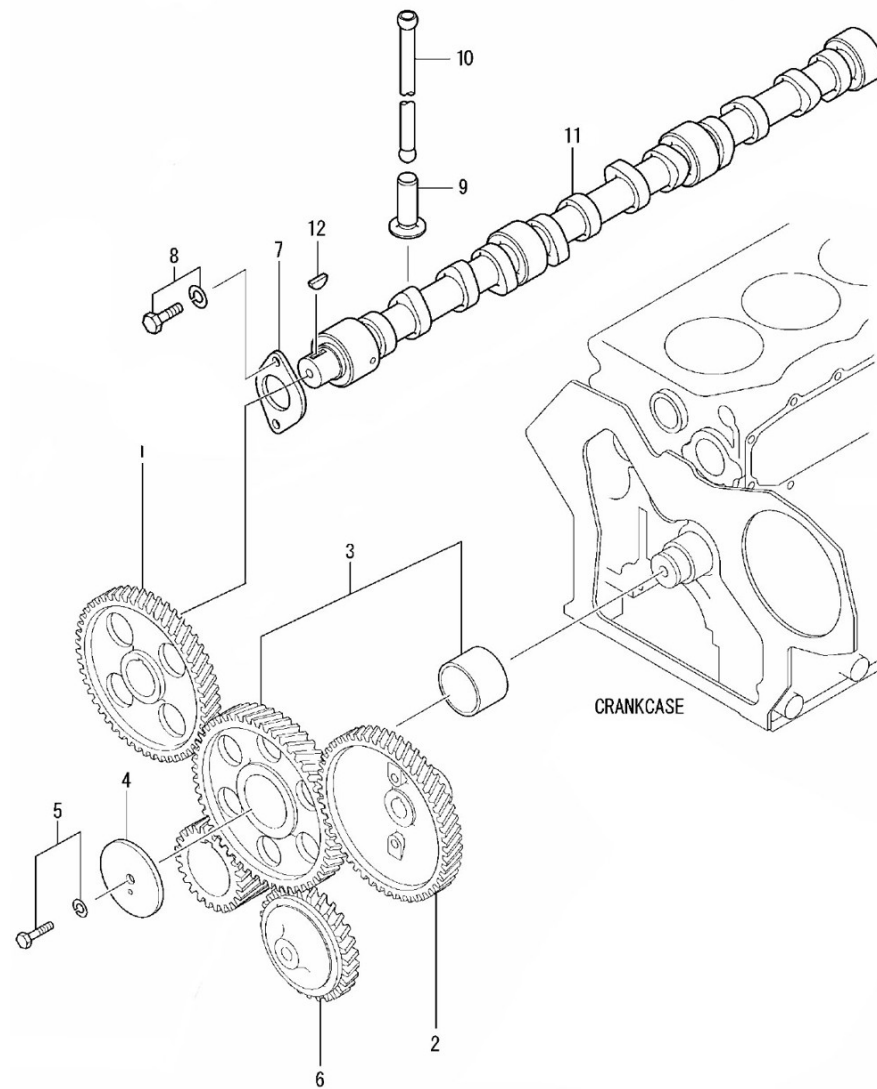
**D\_MI10\_1\_3** **Valve Drive**

Fig.	Ref.	Qty.	Descr.	Obs	From	UpTo
1	17422055.1	6	Valve,Inlet			
2	17422056	6	Exhaust Valve			
3	13322028	12	Spring, valve outler			
4	17422058	12	Retainer,Upper			
5	17122059.1	24	Cotter,Valve			
6	13322024	12	Cap			
7	17422054	12	Seal,Valve Stem			
8	(*)	1	Not available			
8A	17422142.1	12	Rocker Assy			
8AA	17122060	12	Nut			
8AB	17122044	12	Screw Adjusting			
8B	17422047G.1	5	Spring,Rocker			
8C	17522146	1	Shaft,Assy,Rocker			
8D	53040019	2	CIRClip DIN 471 E-19			
8E	17422048	6	Bracket,Rocker Shaft			
8F	17422053	6	Bolt,Rocker Bracket			
8G	17122051	6	Bolt, w/washer			



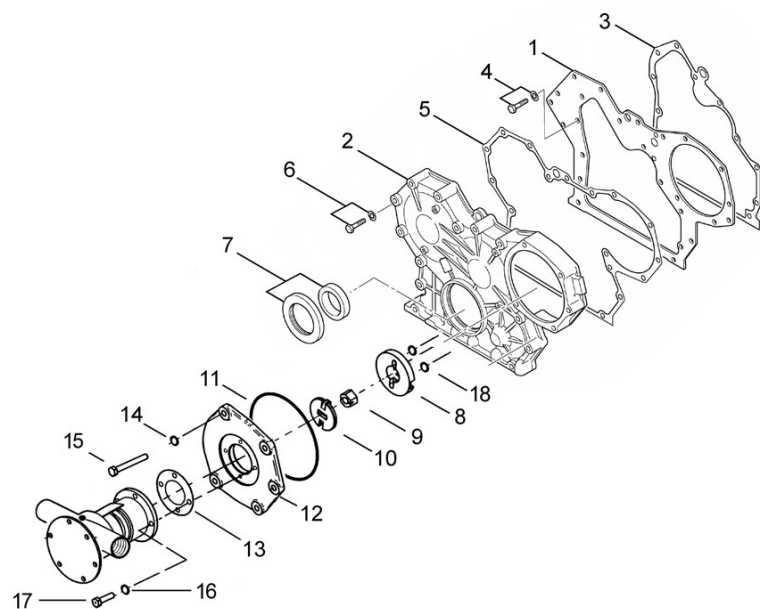
D\_GH02\_1\_4 Timing Parts

Fig.	Ref.	Qty.	Descr.	Obs	From	UpTo
1	17422037	1	Gear,CamShaft Z=46			
2	17422040	1	Gear,INJ.Pump Z=46			
3	17422038	1	Gear,IDLER Assy Z=49			
4	17122032	1	Plate, thrust			
5	13322079	1	Bolt			
6	17422066	1	Gear,Oil Pump Z=31			
7	17522075	1	Plate,Thrust			
8	13820043	2	Bolt,W/Washer			
9	17122061	12	Tappet			
10	17122041	12	Rod, push			
11	17522035	1	CamShaft			
12	13322034	1	Key Woodruff			



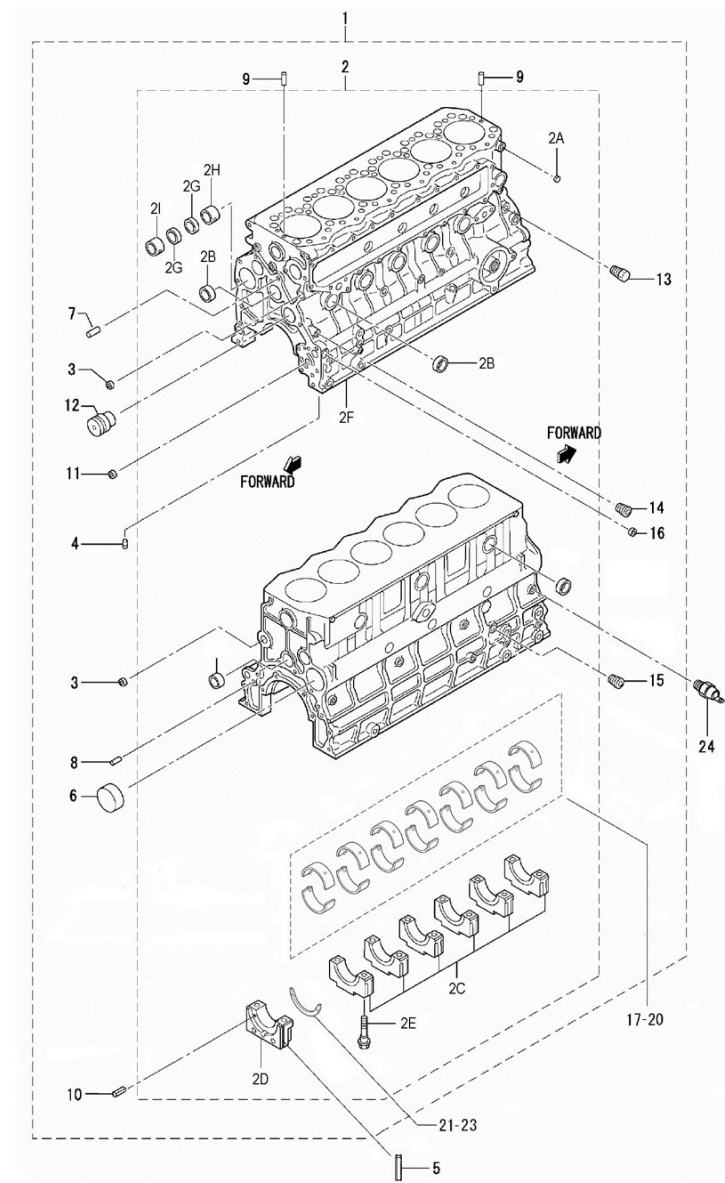
D\_MI74\_1\_5 Gear Case

Fig.	Ref.	Qty.	Descr.	Obs	From	UpTo
1	17420024	1	Plate, Front			
2	17420035	1	Case Gear			
3	17420018	1	Gasket,Front Plate			
4	13820043	5	Bolt,W/Washer			
5	17420040	1	Gasket,Gear			
6	17120047	13	Bolt, w/washer			
7	17420039.1	1	Seal Assy,Oil			
8	17411026	1	Coupling Drive			
9	17422071	1	Nut,INJ.Pump			
10	15310072	1	CrossHead Jaw Coupling			
11	17420047	1	O-Ring D. 140X2			
12	17410010	1	Block Water Pump			
13	13310013	1	Gasket,water pump			
14	53038008	5	Washer DIN 6798-A 8			
15	52101266	5	Bolt DIN 931 M8-65 8.8			
16	51030006	4	Washer DIN 125-6			
17	52103156	4	Bolt DIN 912 M6-16 8.8			
18	53104255	2	Bolt DIN 7984 M8-12 10.9			



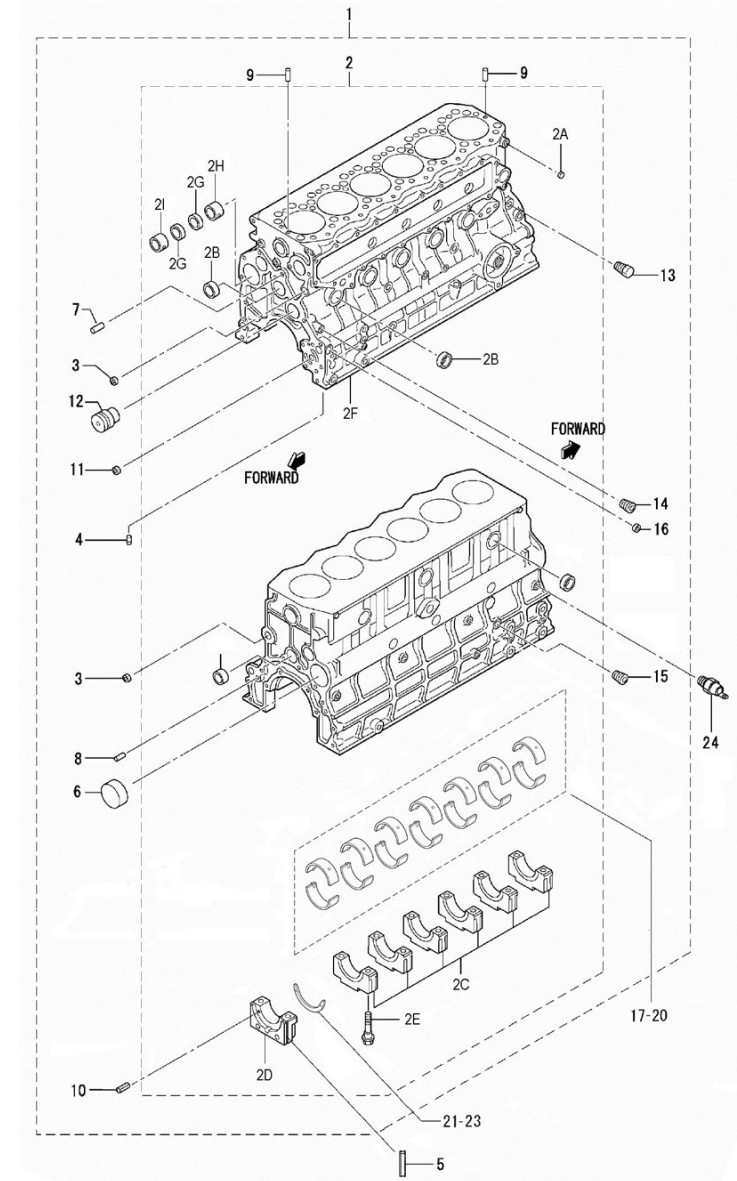


D_GH02_1_6		Crankcase				
Fig.	Ref.	Qty.	Descr.	Obs	From	UpTo
1	17520001	1	CRANKCase Assy			
2	(*1)	1	Not available			
2B	13320006	14	Cap, Sealing			
2C	(*2)	6	Not available			
2D	(*3)	1	Not available			
2E	17420009	14	Bolt Bearing Cap			
2F	(*)	1	Not available			
2F	(*4)	1	Not available			
2G	13320002	2	Bushing,camShaft n°2			
2H	17120015	1	BUSING,camShaft r			
2I	17520015	1	Bushing,CamShaft,F			
3	13320007	8	Cap, Sealing			
5	17420112	2	Seal,Valve			
6	17420013	1	Plug,Cam			
7	17120036	2	Pin, dowel			
8	13320025	2	Pin			
9	17120019	2	Pin, dowel			
10	17420012	6	Pin, Spring			
11	17420011	1	Bushing			
12	17420034	1	Shaft, IDLER			
13	17824003	1	Plug, Tapered			
14	17820011	7	Plug, Tapered			
15	17120021	2	Plug, taper			
16	17420027G.1	1	Plug, TAPPERED (Generator)			
17	17520003	1	Bearing Set, MAIN STD			
18	17520004	1	Bearing Set, MAIN -0,25			
19	17520005	1	Bearing Set, MAIN -0,50			
20	17520006	1	Bearing Set, MAIN -0,75			
21	17420109	3	Plate, THRUST.C/S STD			
22	17420110	3	Plate, THRUST.C/S +0,15			
23	17420111	3	Plate, THRUST.C/S +0,30			



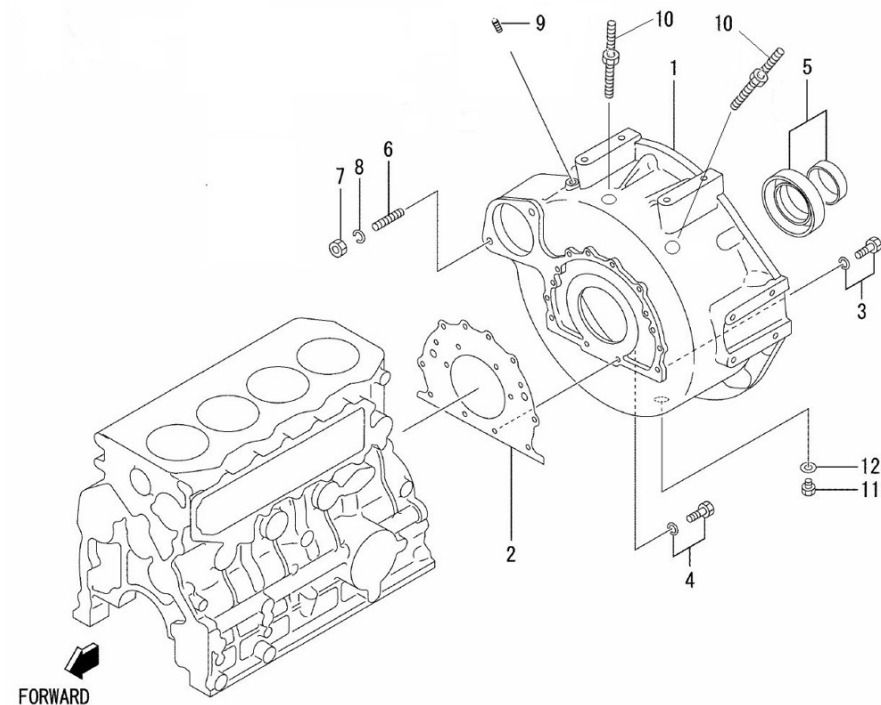
D\_GH02\_1\_6 Cranckcase

Fig.	Ref.	Qty.	Descr.	Obs	From	UpTo
24	13320044	1	Switch Oil Pressure			



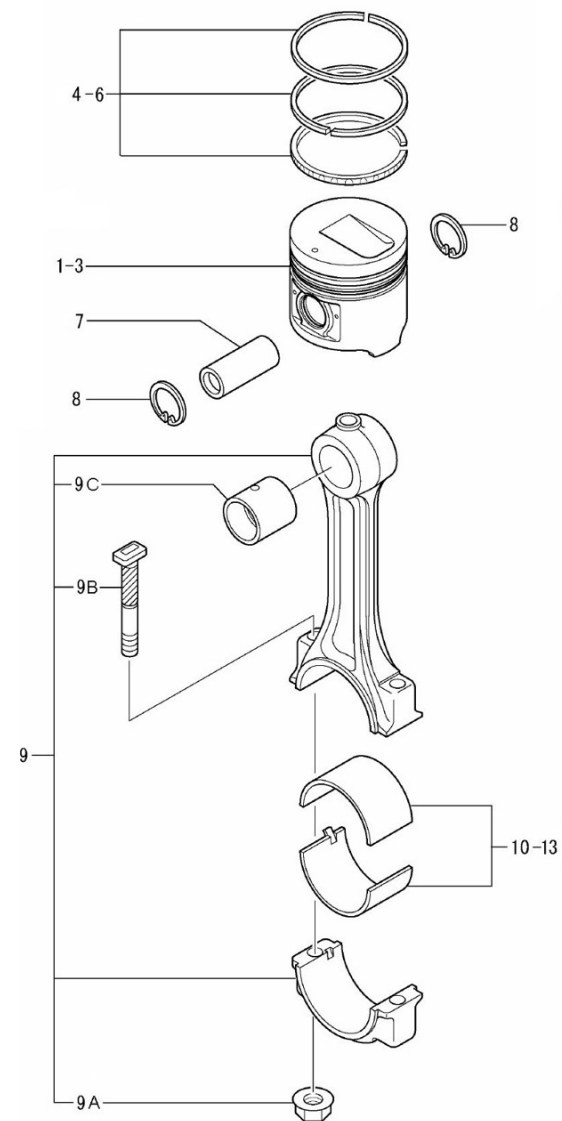
D\_SM105GTDN\_01\_7 Rear Plate

Fig.	Ref.	Qty.	Descr.	Obs	From	UpTo
1	17A20007G.3	1	Flyweel Housing Pickup			
2	17420025	1	Gasket,Rear			
3	17327129.2	10	Bolt			
4	17420028G.1	2	Bolt,W/Washer (Generator)			
5	13320063	1	Seal Oil			
6	13320067	2	Stud			
7	17827003	2	Nut			
8	53033010	2	Washer GROWER DIN 127-10			
9	52211454	1	Stud ALLEN DIN913 M16x1,5-16			
10	60972519	2	Magnetic Speed Sensor			
11	13224045	1	Plug			
12	56000077	1	Washer 18-23-1,5			



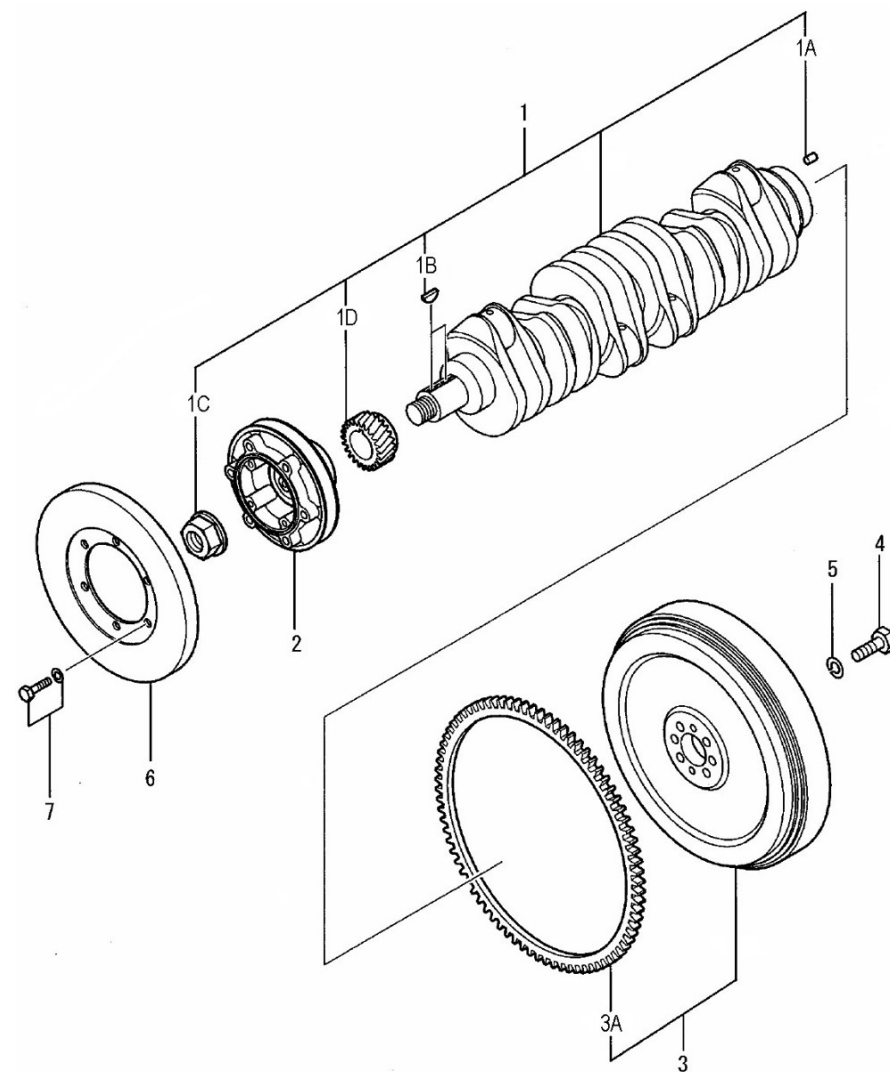
D\_MI10\_1\_8 Piston & Connecting Rod

Fig.	Ref.	Qty.	Descr.	Obs	From	UpTo
1	17422001	6	Piston STD.			
2	17422002	6	Piston O.S 0,25			
3	17422003	6	Piston O.S 0,50			
4	17422006	6	Ring Set,Piston STD.			
5	17422007	6	Ring,Piston O.S 0,25			
6	17422008	6	Ring,Piston O.S 0,50			
7	17422009	6	Pin,Piston			
8	17422010	12	Ring,Snap			
9	17822012	6	Rod Assy. Connecting			
9A	17122011	12	Nut,connecting rod			
9B	17122013	12	Bolt,connecting rod			
9C	17422033	6	Bushing,Con-Rod			
10	17522014	1	METAL Set,CONROD STD			
11	17522015	1	METAL Set,CONROD -0,25			
12	17522016	1	METAL Set,CONROD -0,50			
13	17522017	1	METAL Set,CONROD -0,75			



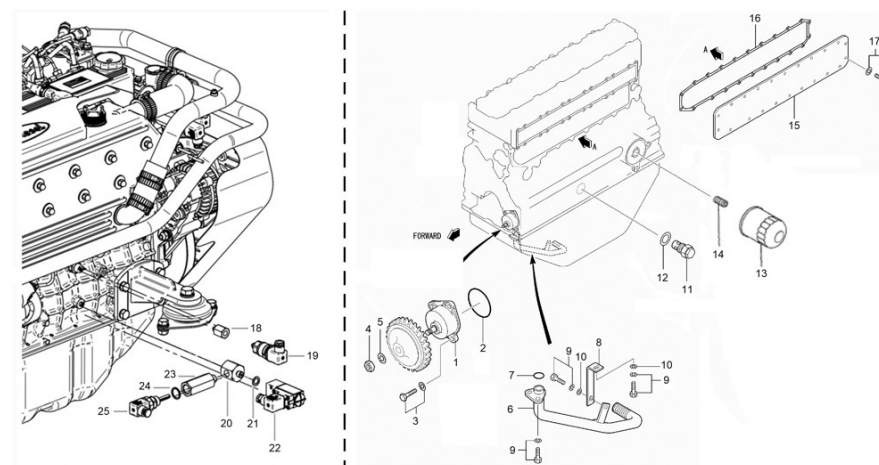
D\_MI10\_1\_9 Crankshaft & Flywheel

Fig.	Ref.	Qty.	Descr.	Obs	From	UpTo
1	17522018	1	CrankShaft Assy			
1A	13322059	2	Pin			
1B	13322034	2	Key Woodruff			
1C	17422026	1	Nut,CrankShaft			
1D	17422019	1	Gear,CrankShaft			
2	17522024	1	Pulley CrankShaft			
3	17522027	1	Flywheel Assy			
3A	17422029	1	Gear,Ring Z=122			
4	13322065	6	Bolt			
5	53033012	6	Washer Grower DIN 127-12			
6	17522076	1	Damper,TORSIONAL			
7	17522077	6	Bolt,W/Washer			



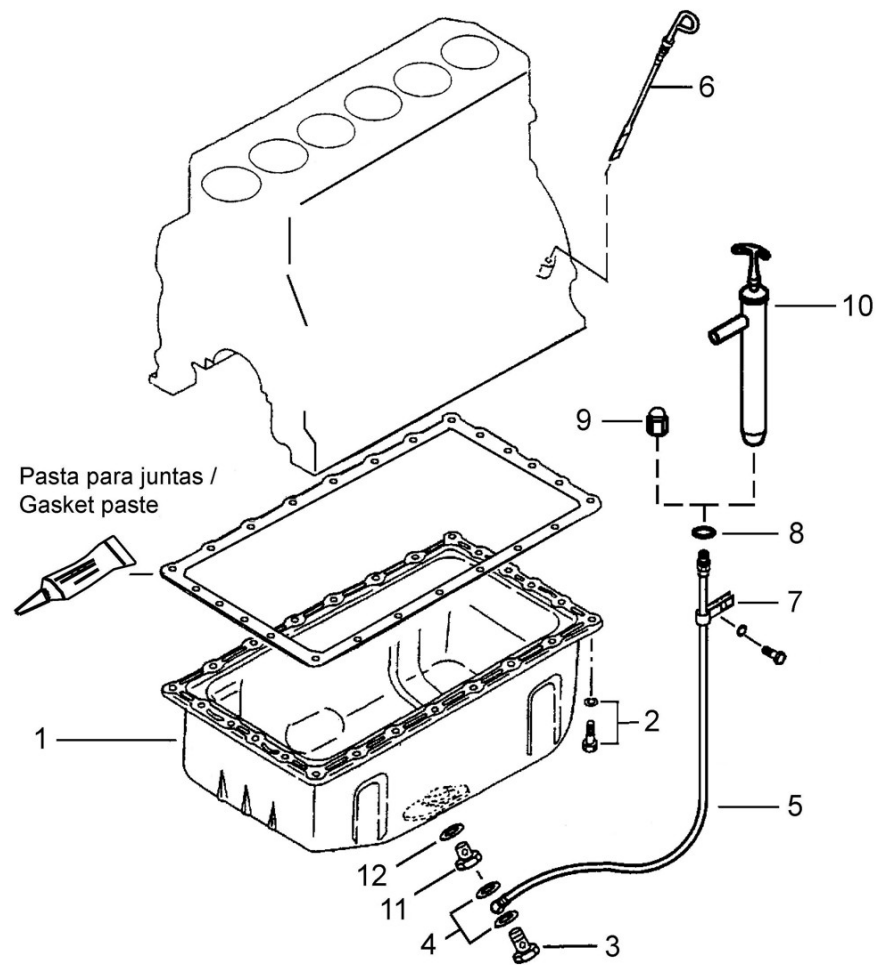
D\_SM105GTDN\_01\_10 Oil System

Fig.	Ref.	Qty.	Descr.	Obs	From	UpTo
1	17524040	1	Pump Assy,Oil			
2	17424055	1	O-Ring D. 60X2			
3	17121012	4	Bolt, w/washer			
4	13122045	1	Nut			
5	53033010	1	Washer GROWER DIN 127-10			
6	17524052	1	STrainer,Oil			
7	17424060	1	O-Ring D. 22X2,4			
8	17524053	1	STAY,Oil STrainer			
9	13820043	4	Bolt,W/Washer			
10	51030008	2	Washer DIN 125-8			
11	17124072	1	Valve, Assy			
12	17424063	1	Gasket			
13	17524051	1	Oil Filter Element SM-75/90/105			
14	17424054	1	Union,Oil Filter			
15	17524065	1	Cover,CRANKCase			
16	17524062	1	Gasket,Side Cover			
17	17422037G.1	23	Bolt W/Washer (Generator)			
18	17A17035	1	Conversion Adapter G1/4 a G1/8 BSPT			
19	60994076	1	Marine Approved Pressure Transmitters			
20	17A17037	1	Conversion Adapter R 1/8 A G1/4 G1/8			
21	56000067	1	Washer 13-20-1,5			
22	6097A072	1	Compact Pressure Switch			
23	17A17028	1	Conversion Adapter G1/2 a 3/8			
24	56000083	1	Washer 21-26-1,5			
25	60994075	1	Temperature Sensor			



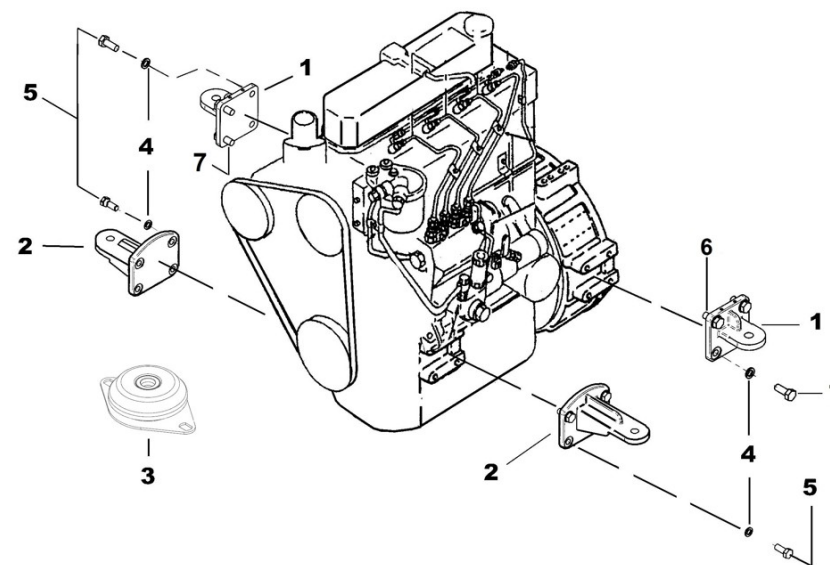
**D\_MI10\_1\_11 Oil Pan**

Fig.	Ref.	Qty.	Descr.	Obs	From	UpTo
1	17520030	1	Pan Assy,Oil			
2	13820043	31	Bolt,W/Washer			
3	12814051	1	Screw,eye			
4	56000069	2	Washer 14-20-1,5			
5	18014021	1	Extraction Hose			
6	17520029	1	Gauge Oil Level			
7	17214022	1	Bracket, Pipe			
8	56000217	1	Washer 13-20-3			
9	16514020	1	Plug			
10	14714001	1	Oil Extraction Pump			
11	17514001	1	Plug			
12	56000083	1	Washer 21-26-1,5			



D\_SM105GTDN\_01\_12 Engine Brackets

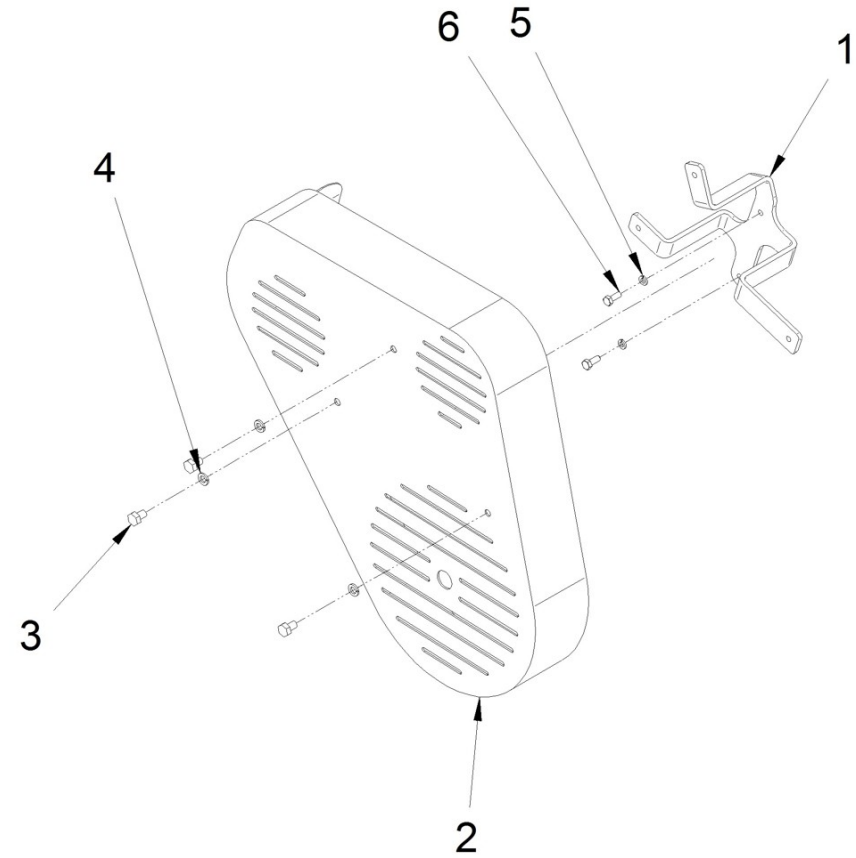
Fig.	Ref.	Qty.	Descr.	Obs	From	UpTo
1	17510003	2	REAR Bracket			
2	17410001.2	2	Front Bracket			
3	61674001	6	Engine Mount Type F 40 SHA M16 H 41			
3	61674007	6	Engine Mount Type F BRB 110 A40 SHA M16 H 41			
4	53033012	16	Washer Grower DIN 127-12			
5	52102359	11	Bolt DIN 933 M12-30 8.8			
6	52102360	1	Bolt DIN 933 M12-35 8.8			
7	52105357	4	Bolt DIN 7991 M12-20 10.9			





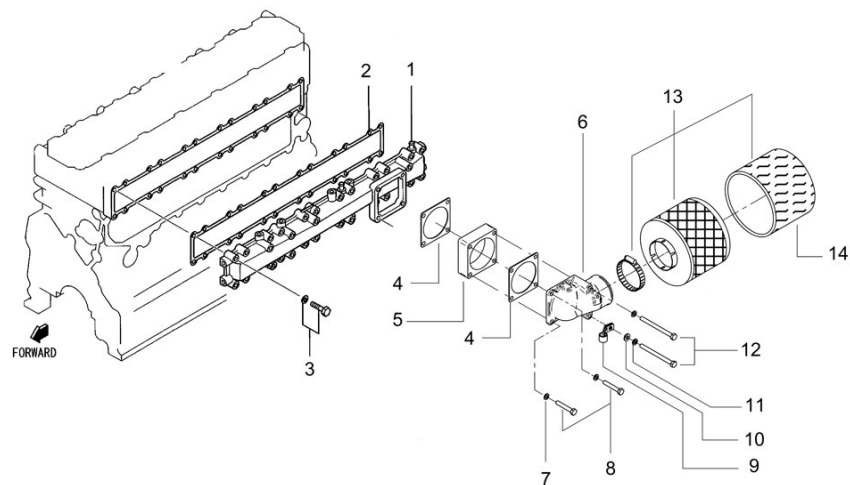
D\_17510022.5R Drive Belt Guard For Genset Without Cabin

Fig.	Ref.	Qty.	Descr.	Obs	From	UpTo
1	17510023	1	Drive Belt Guard Bracket			
2	17510020.5	1	Drive Belt Guard			
3	52102255	3	Bolt DIN 933 M8-12 8.8			
4	53033008	3	Washer GROWER DIN 127-8			
5	53033006	2	Washer GROWER DIN 127-6			
6	52102156	2	Bolt DIN 933 M6-16 8.8			



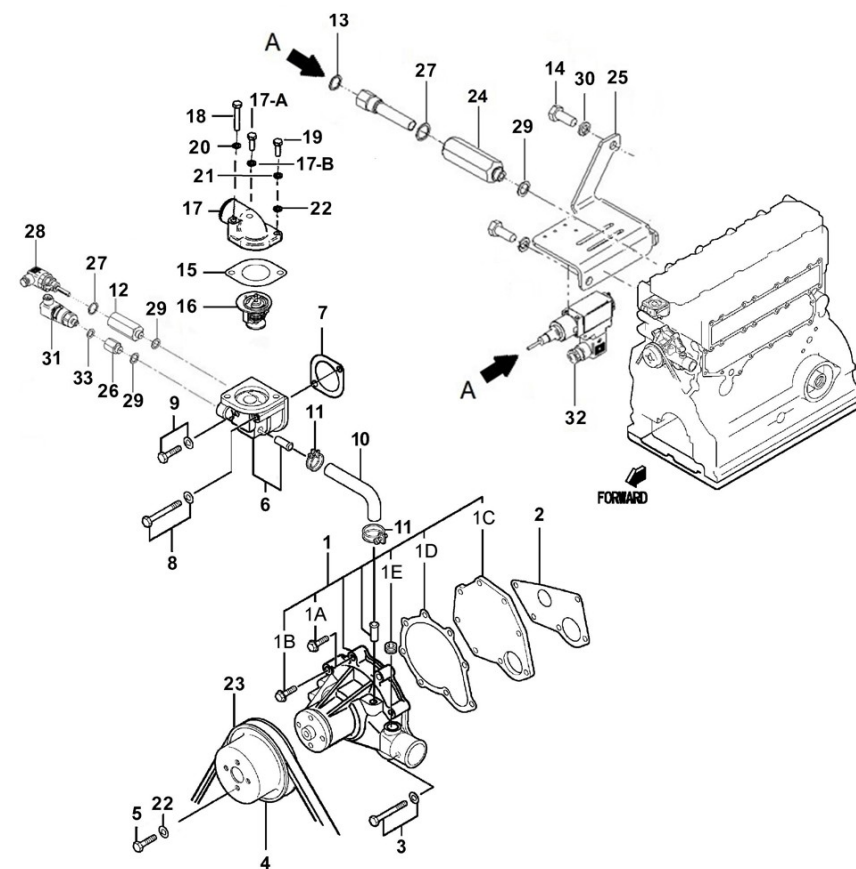
D\_MI10\_2\_1 Inlet

Fig.	Ref.	Qty.	Descr.	Obs	From	UpTo
1	17521030	1	MANIFOld Assy,Inlet			
2	17521032	1	Gasket,IN.MANIFOld			
3	17121014	24	Bolt, w/washer			
4	17421042	2	Gasket			
5	17510015	1	Elbow Spacer			
6	17521029	1	Elbow,Air Inlet			
7	53038008	3	Washer DIN 6798-A 8			
8	52101263	2	Bolt DIN 931 M8-50 8.8			
9	17514010	1	Bracket Clamp			
10	51030008	1	Washer DIN 125-8			
11	53033008	1	Washer GROWER DIN 127-8			
12	52101272	2	Bolt DIN 931 M8-95 8.8			
13	17410034	1	Air Filter			
14	17410031	1	Filter Element (Air Filter)			



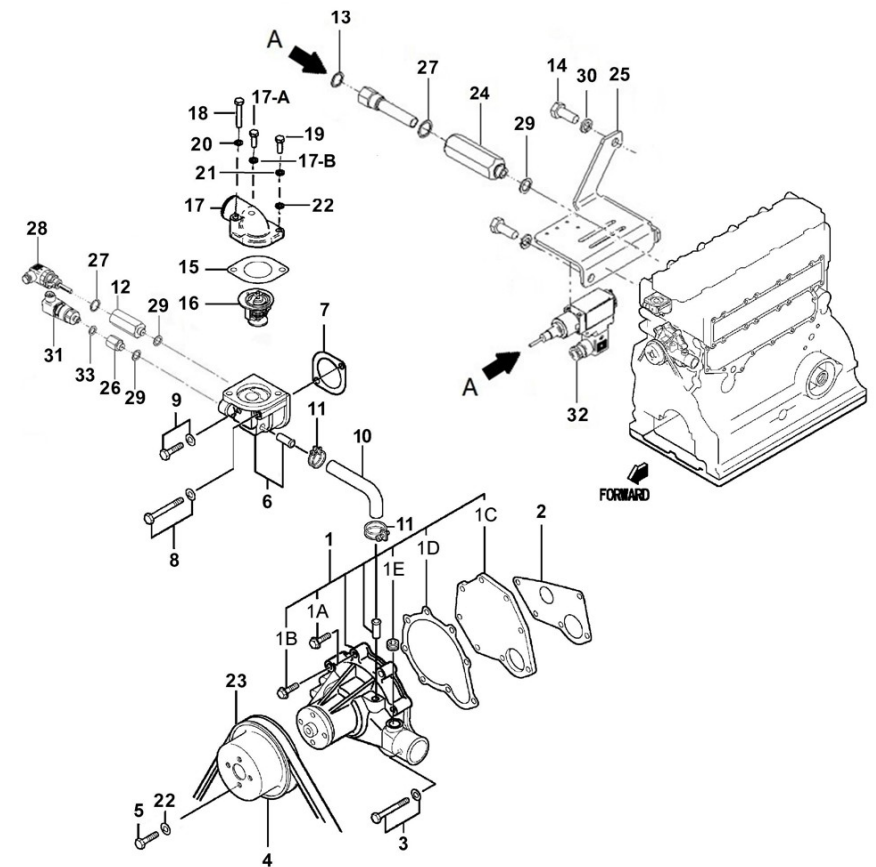
D\_SM105GTDN\_03\_1 Water Pump

Fig.	Ref.	Qty.	Descr.	Obs	From	UpTo
1	17421020G	1	Fresh Water Assy (tube 10)			
1A	17122051	2	Bolt, w/washer			
1B	52101260	1	Bolt DIN 931 M8-35 8.8			
1C	17421043	1	Cover,Water Pump			
1D	17421022	1	Gasket,Pump Cover			
1E	17020023	1	Plug TAPER 3/8			
2	17421041	1	Gasket,Side Cover			
3	52101262	6	Bolt DIN 931 M8-45 8.8			
4	17421021G	1	Pulley,Water Pump			
5	52102257	4	Bolt DIN 933 M8-20 8.8			
6	17421037	1	Case Assy,Thermostat			
7	17421016G.2	1	Gasket (Generator)			
8	17121039	6	Bolt,w/washer			
9	17821039	1	Bolt, Flange			
10	17421025	1	Hose,BY-PASS			
11	17121036	2	Clamp, hose			
12	17A17031	1	Conversion Adapter G1/2 A 5/8 UNF			
13	56000077	1	Washer 18-23-1,5			
14	52102360	1	Bolt DIN 933 M12-35 8.8			
15	17111021	2	Gasket			
16	17121027	1	Thermostat			
17	17111020	1	Fitting,water outlet			
17A	13811035	1	Bolt,bleed			
17B	56000053	1	Washer 6-10-1,5			
18	52101263	1	Bolt DIN 931 M8-50 8.8			
19	52102259	1	Bolt DIN 933 M8-30 8.8			
20	53038008	1	Washer DIN 6798-A 8			
21	51030008	1	Washer DIN 125-8			
22	53033008	5	Washer GROWER DIN 127-8			
23	17421028G	1	Belt Type BX 44 1160			
24	17A17033	1	Conversion Adapter 5/8 UNF			



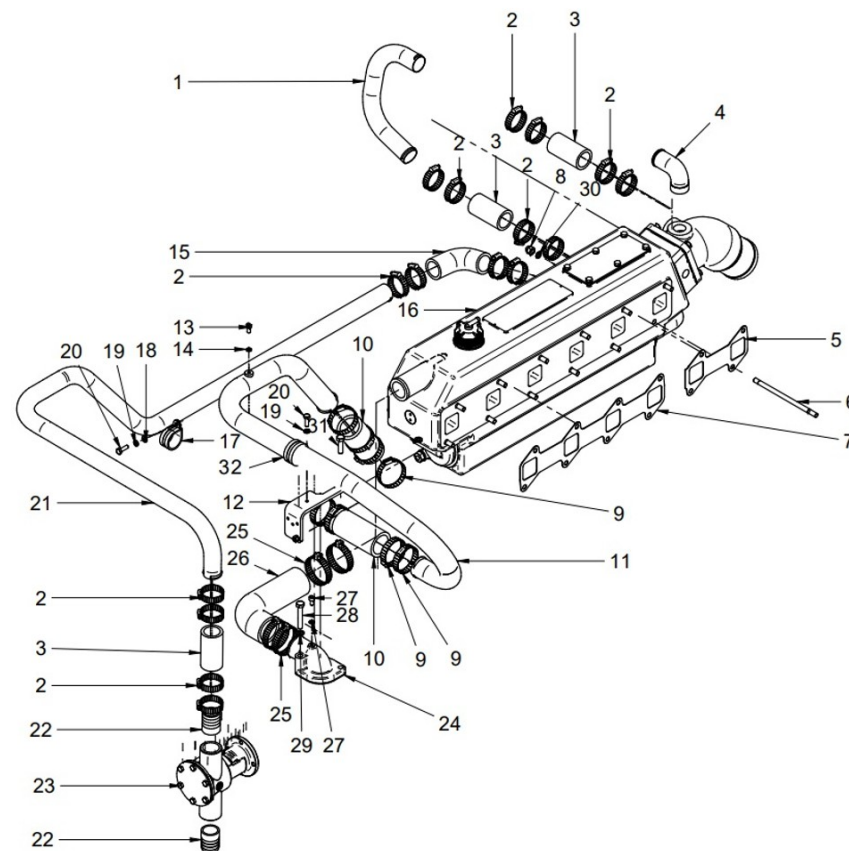
D\_SM105GTDN\_03\_1 Water Pump

Fig.	Ref.	Qty.	Descr.	Obs	From	UpTo
25	17A17034	1	Sensor Bracket			
26	17A17030	1	Conversion Adapter G1/4 a 5/8"SAE			
27	56000083	1	Washer 21-26-1,5			
28	60994075	1	Temperature Sensor			
29	56000073	3	Copper Washer 16-23-1,5			
30	53033012	1	Washer Grower DIN 127-12			
31	60994076	1	Marine Approved Pressure Transmitters			
32	6097A075	1	Thermostat DNV 95° Trafag			
33	56000067	1	Washer 13-20-1,5			



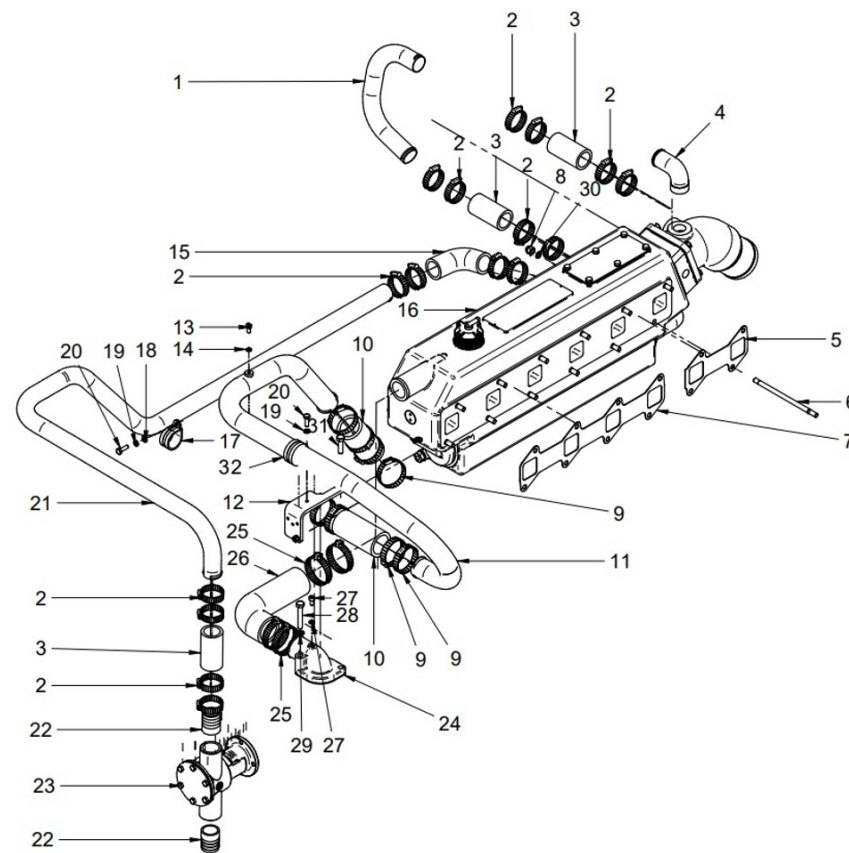
D\_SM105GTDN\_03\_2 Cooler Pipes

Fig.	Ref.	Qty.	Descr.	Obs	From	UpTo
1	17411023	1	Brass Pipe D32			
2	54082025	16	Clamp DIN 3017 25-40/12 W4			
3	13611038	3	Pipe 30-40-75			
4	14711021	1	Elbow N°1			
5	17521035	1	Gasket			
6	17411015	12	Stud			
7	17421035	1	Gasket,Exhaust Manifold			
8	55122008	12	Nut DIN 1587 M8			
9	54082032	8	Clamp DIN 3017 32-50/12 W4			
10	15211053	2	Pipe 38-50-100			
11	17A11022	1	Pipe,from cooler to engine D38 e2			
12	17A11014	1	Bracket			
13	13811035	1	Bolt,bleed			
14	56000053	1	Washer 6-10-1,5			
15	17411035	1	Elbow Rubber			
16	17511000DNVR	1	Water Cooler Assy SM-105 (Genset) TAC (R)			
17	59071324	1	Clamp RSGU 1 32/15 W1			
18	51030006	5	Washer DIN 125-6			
19	53033006	3	Washer GROWER DIN 127-6			
20	52102157	2	Bolt DIN 933 M6-20 8.8			
21	17A11011	1	Brass Pipe D32			
22	60180007	2	Outlet Coupling			
23	36511000	1	Cross Brace Pump from 74 to 616			
24	17111021	1	Gasket			
25	54082040	4	Clamp DIN 3017 40-60/12 W4			
26	17411013	1	Thermostat Water Outlet Elbow			
27	17111020	1	Fitting,water outlet			
28	52101263	1	Bolt DIN 931 M8-50 8.8			
29	53038008	6	Washer DIN 6798-A 8			
30	56000057	12	Washer 8-13-1,5			
31	52102259	1	Bolt DIN 933 M8-30 8.8			



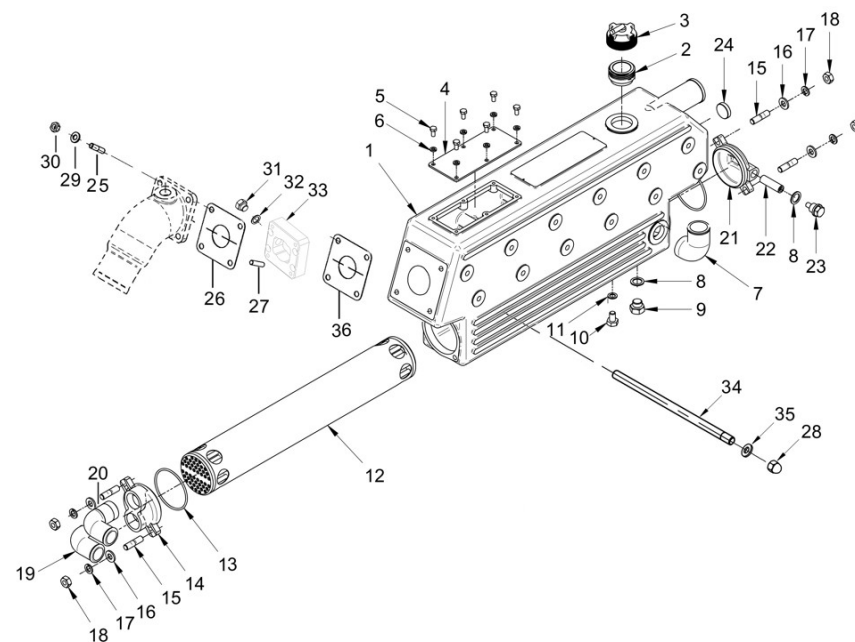
D\_SM105GTDN\_03\_2 Cooler Pipes

Fig.	Ref.	Qty.	Descr.	Obs	From	UpTo
32	59071383	1	Clamp TYP.1 38/15 W1			
NS	17A10037	1	Water Cooler Shield			



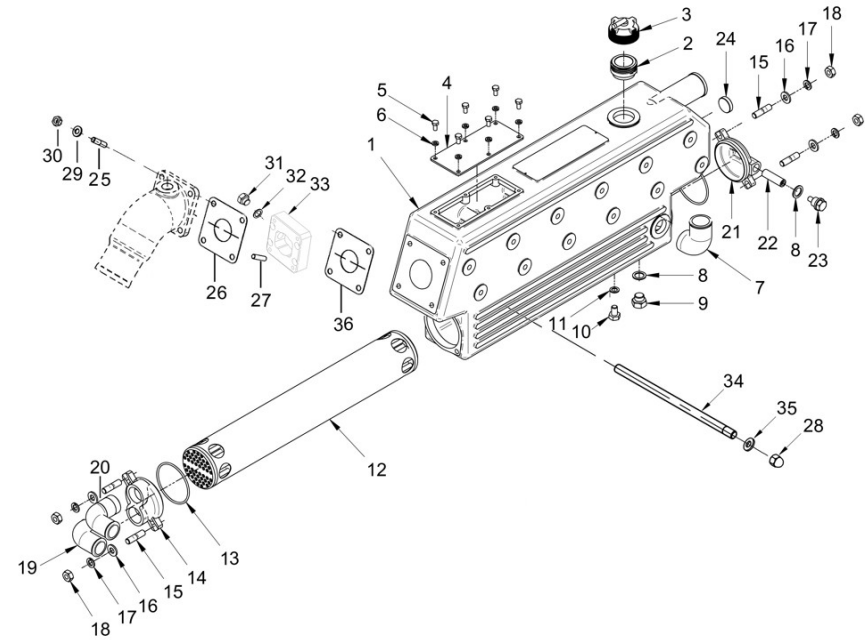
D\_17511000DNVR Water Cooler Assy SM-105 TAC (R)

Fig.	Ref.	Qty.	Descr.	Obs	From	UpTo
1	17A11001	1	Body, Water Cooler			
2	17411004	1	Adapter, MTA Cap			
3	13811010	1	Cap			
4	18211002	1	Cover			
5	52102155	6	Bolt DIN 933 M6-12 8.8			
6	53033006	6	Washer GROWER DIN 127-6			
7	17111011	1	Elbow 1 1/8"			
8	56000073	2	Copper Washer 16-23-1,5			
9	12111076	1	Plug			
10	54102306	1	Bolt DIN 933 M10-16 INOX.			
11	56000061	1	Washer 10-16-1,5			
12	19011004	1	Tubular Bundle			
13	18011008	2	O-Ring D. 72X3			
14	17411003	1	Water Cooler Cover			
15	16511007	4	Stud			
16	51030010	4	Washer DIN 125-10			
17	53033010	4	Washer GROWER DIN 127-10			
18	54120010	4	Nut DIN 934 M10			
19	14711030	1	Brass Elbow Connector			
20	14711021	1	Elbow N°1			
21	18011002	1	Water Cooler Cover			
22	18011031	1	Engine Anode 45 mm M.8			
23	18011009	1	Anode Plug			
24	12113092	1	Plug			
25	19613016	4	Turbo Stud M8-M10			
26	16513002	1	Exhaust Elbow Gasket			
27	52103309	4	Bolt DIN 912 M10-30 8.8			
28	55122008	12	Nut DIN 1587 M8			
29	53033008	4	Washer GROWER DIN 127-8			
30	54120008	4	Nut DIN 934 M8			
31	19411027	1	Plug			



D\_17511000DNVR Water Cooler Assy SM-105 TAC (R)

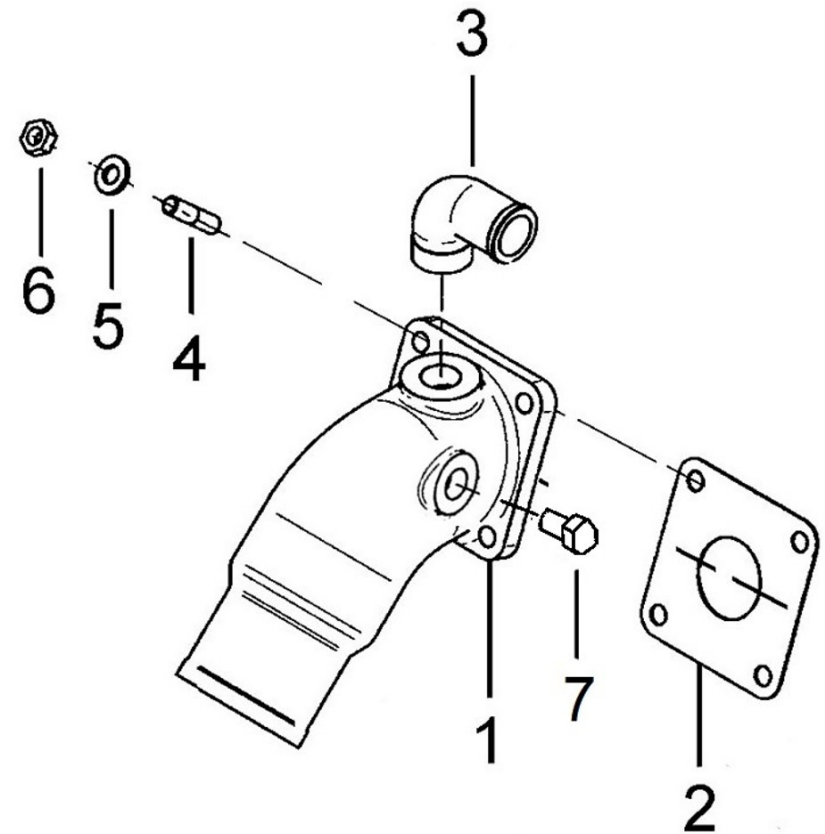
Fig.	Ref.	Qty.	Descr.	Obs	From	UpTo
32	56000077	1	Washer 18-23-1,5			
33	17517027	1	Sensor Spacer			
34	17411015	12	Stud			
35	56000057	12	Washer 8-13-1,5			
36	17A13002	1	Exhaust Gasket			





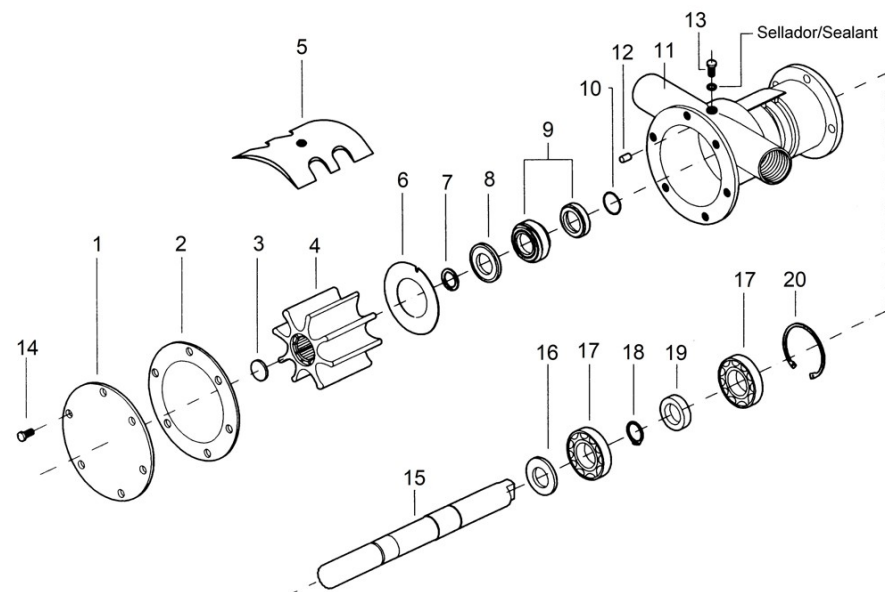
D\_SM105GTDN\_03\_4 Wet Exhaust

Fig.	Ref.	Qty.	Descr.	Obs	From	UpTo
1	16613015	1	Elbow, wet exhaust			
2	16513002	1	Exhaust Elbow Gasket			
3	14711021	1	Elbow N°1			
4	19613016	4	Turbo Stud M8-M10			
5	53033008	4	Washer GROWER DIN 127-8			
6	54120008	4	Nut DIN 934 M8			
7	55102405	1	Bolt DIN 933 M14-1,50-12 Brass		06/05/2024	



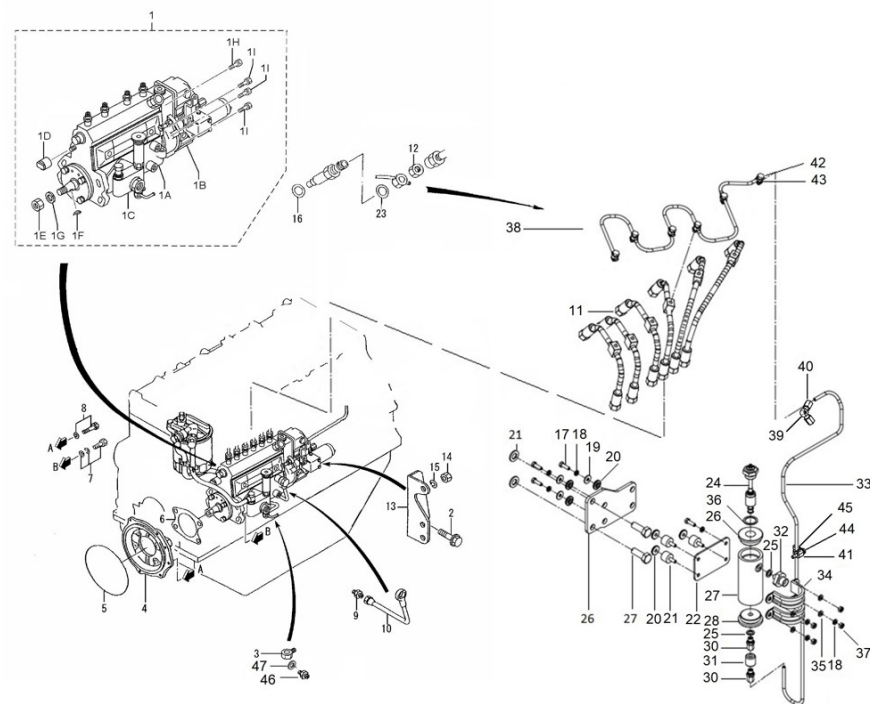
36511000 Cross Brace Pump from 74 to 616

Fig.	Ref.	Qty.	Descr.	Obs	From	UpTo
1	34711002	1	Cover Pump			
2	34711003	1	Gasket Cover			
3	34711041	1	Impeller Plug			
4	34711008	1	1" Impeller			
5	34711005	1	Cam			
6	34711026	1	Plate,Friction			
7	54040016	1	CIRClip E-16			
8	36511018	1	Washer,seal			
9	36511019	1	Seal			
10	33311013	1	O-Ring D. 15X2			
11	36511001	1	Body,water pump			
12	36511017	1	Pin,Dowel			
13	54108154	1	Bolt DIN 84 M6-10			
14	54102154	6	Bolt DIN 933 M6-10 INOX			
15	36511010	1	Shaft,pump			
16	36511015	1	Spacer 17X24X7			
17	33311014	2	Ball Bearing 6203			
18	53040017	1	Circlip DIN 471 E-17			
19	36511020	1	Seal 16-30-7			
20	53041040	1	Circlip DIN 472 I-40			



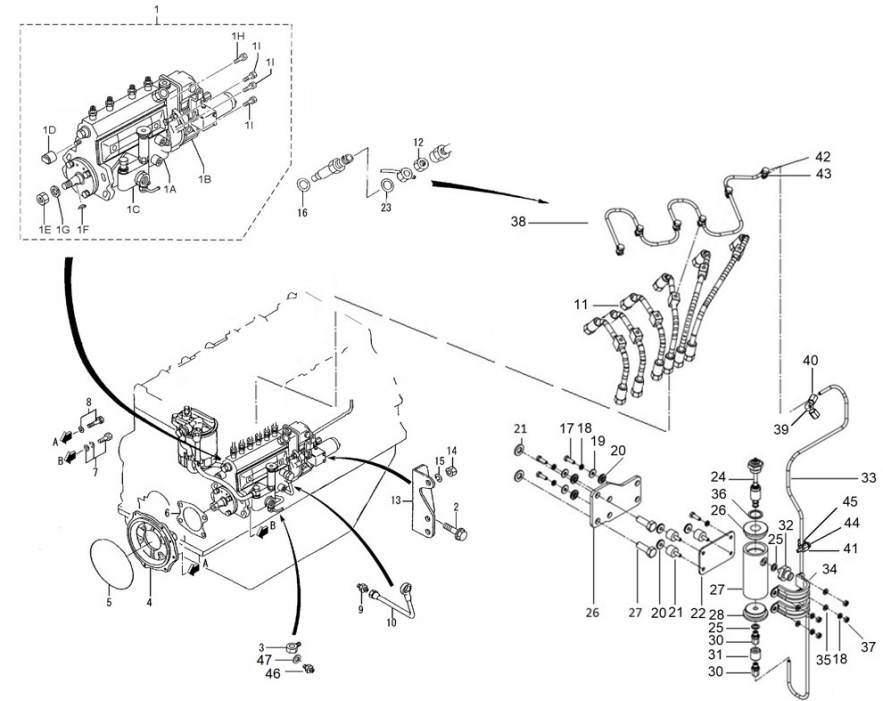
D\_SM105GTDN\_04\_1 Fuel Pipe And Fuel Leak Alarm

Fig.	Ref.	Qty.	Descr.	Obs	From	UpTo
1	17525001G	1	Pump Assy,Injection			
1A	(*)	1	Not available			
1B	(*1)	1	Not available			
1C	13325100	1	Pump Feed			
1D	13325203	1	SLEEVE LIMIT			
1E	52120012	1	Nut DIN 934 M12 8.8			
1F	13325268	1	KEY WOODRUFF			
1G	13325273	1	Washer			
1H	17425003	1	Bolt,W/Washer			
1I	17425004	6	Bolt,W/Washer			
2	17425036	1	Bolt,Flange			
3	17414010	1	Joint Fuel inlet			
4	17425005	1	Flange,INJ.Pump			
5	17420047	1	O-Ring D. 140X2			
6	17425028	1	Gasket			
7	17425029	4	Bolt,W/Washer			
8	17721012	1	Bolt,W/Washer			
9	17424032	1	Connector			
10	17524033	1	Pipe,Oil			
11	17524010R	1	Double Wall Pipes Kit			
12	13824024	6	Nut			
13	17524034	1	Bracket,INJ Pump			
14	17120049	1	Nut M8			
15	53033008	1	Washer GROWER DIN 127-8			
16	13824013	6	Injector Washer			
17	52102157	4	Bolt DIN 933 M6-20 8.8			
18	53033006	7	Washer GROWER DIN 127-6			
19	51031006	3	Washer DIN 9021 6			
20	17A17011	6	Bakelite Bushing			
21	17414009	3	Anti Vibration Mount			
22	17517009.6	1	Alarm Bracket			



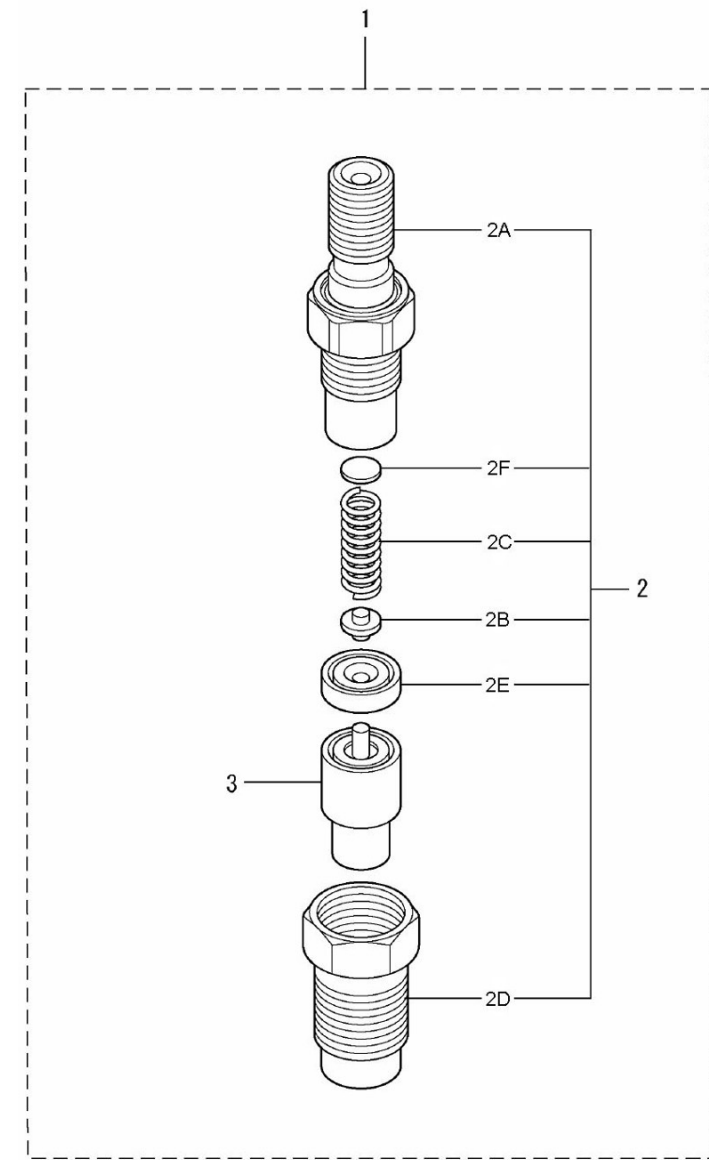
D\_SM105GTDN\_04\_1 Fuel Pipe And Fuel Leak Alarm

Fig.	Ref.	Qty.	Descr.	Obs	From	UpTo
23	17424025G.1	6	Gasket Fuel Return (Genset)			
24A	17517009.1	1	Fuel Leak Switch 12V			
	Figure A for 12V System					
24B	17517017.1	1	Fuel Leak Switch 24V			
	Figure b for 24V System					
25	56000061	2	Washer 10-16-1,5			
26	17517009.3	1	Cover, Upper			
27	17517009.2	1	Tube			
28	17517009.4	1	Lower cover			
30	19414028	2	P-GEV 6LR 1/8			
31	17A14029	1	1/8-28 To M10 Threat Adaptor			
32	17B14032	1	Fitting 1/8 - 3/8 Nylon			
33	17A17022	1	Fuel Leak Pipe			
34	59072482	2	Clamp 2 48/20 W1			
35	51030006	4	Washer DIN 125-6			
36	56000086	1	Washer 22,3-29-1,5			
37	52120006	4	Nut DIN 934 M6 8.8			
38	17A14018	1	Fuel Return Pipe TAC			
39	17A14026	1	P-WV 6L Male Stud Equal Elbow Fitting			
40	17A14025	2	P-TV 6L Male Stud Equal Tee Fitting			
41	17A10035	1	M6 Bolt With M8 Treat			
42	13114007	6	Banjo Short Bolt			
43	56000057	12	Washer 8-13-1,5			
44	52102156	1	Bolt DIN 933 M6-16 8.8			
45	59071064	1	Clamp RSGU 1 06/15 W1			
46	17414011	1	Racord			
47	56000205	1	Washer 10-16-3			
NS	19424101	1	Spray stop kit			



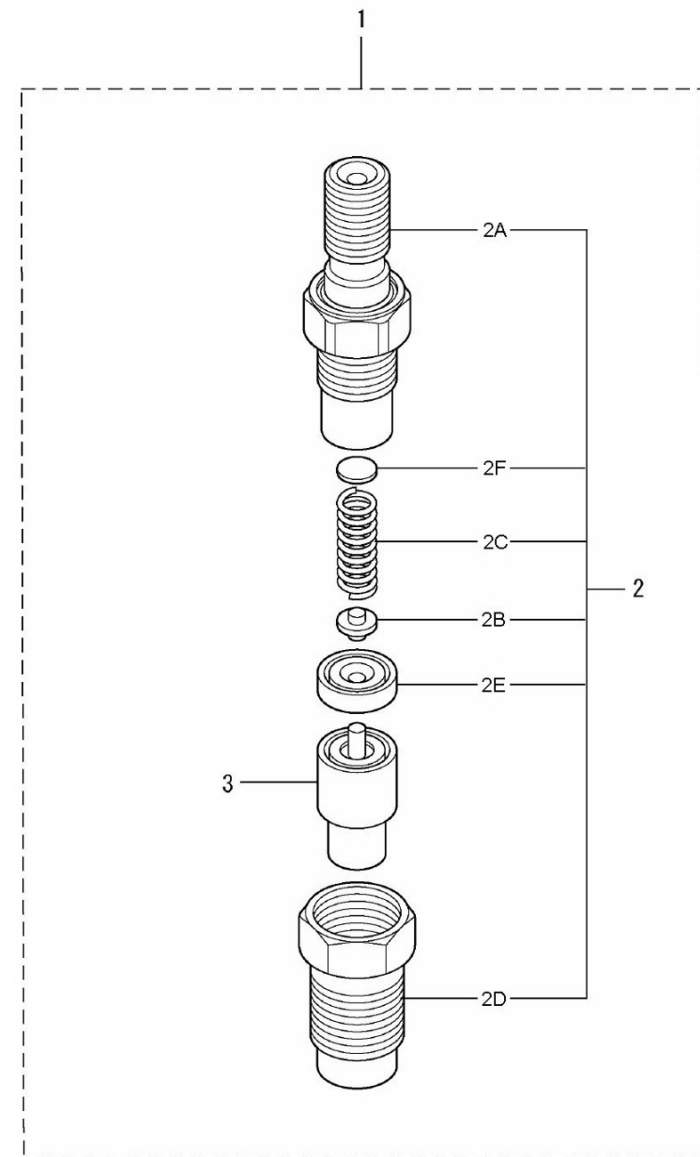
**D\_MI10\_4\_2 Injection Nozzle**

Fig.	Ref.	Qty.	Descr.	Obs	From	UpTo
1	17126001	6	Nozzle, Assy			
2	17126003	6	Holder			
2A	17126002	6	Body, Assy			
2B	13826003	6	Pin Pressure			
2C	17126004	6	Spring, pressure			
2D	17126006	6	Nut, retaining			
2E	13826007	6	PIECE DISTANCE			
2FAA	17126020	0	Washer 0.900	#		
2FAB	17126021	0	Washer 0.925	#		
2FAC	17126022	0	Washer 0.950	#		
2FAD	17126023	0	Washer 0.975	#		
2FAE	17126024	0	Washer 1.000	#		
2FAF	17126025	0	Washer 1.025	#		
2FAG	17126026	0	Washer 1.050	#		
2FAH	17126027	0	Washer 1.075	#		
2FAI	17126028	0	Washer 1.100	#		
2FAJ	17126029	0	Washer 1.125	#		
2FAK	17126030	0	Washer 1.150	#		
2FAL	17126031	0	Washer 1.175	#		
2FAM	17126032	0	Washer 1.200	#		
2FAN	17126033	0	Washer 1.225	#		
2FAO	13826010	0	Washer 1,25	#		
2FAP	17126035	0	Washer 1.275	#		
2FAQ	13826011	0	Washer 1,30	#		
2FAR	17126037	0	Washer 1.325	#		
2FAS	13826012	0	Washer 1,35	#		
2FAT	17126039	0	Washer 1.375	#		
2FAU	13826013	0	Washer 1,40	#		
2FAV	17126041	0	Washer 1.425	#		
2FAW	13826014	0	Washer 1,45	#		
2FAX	17126043	0	Washer 1.475	#		



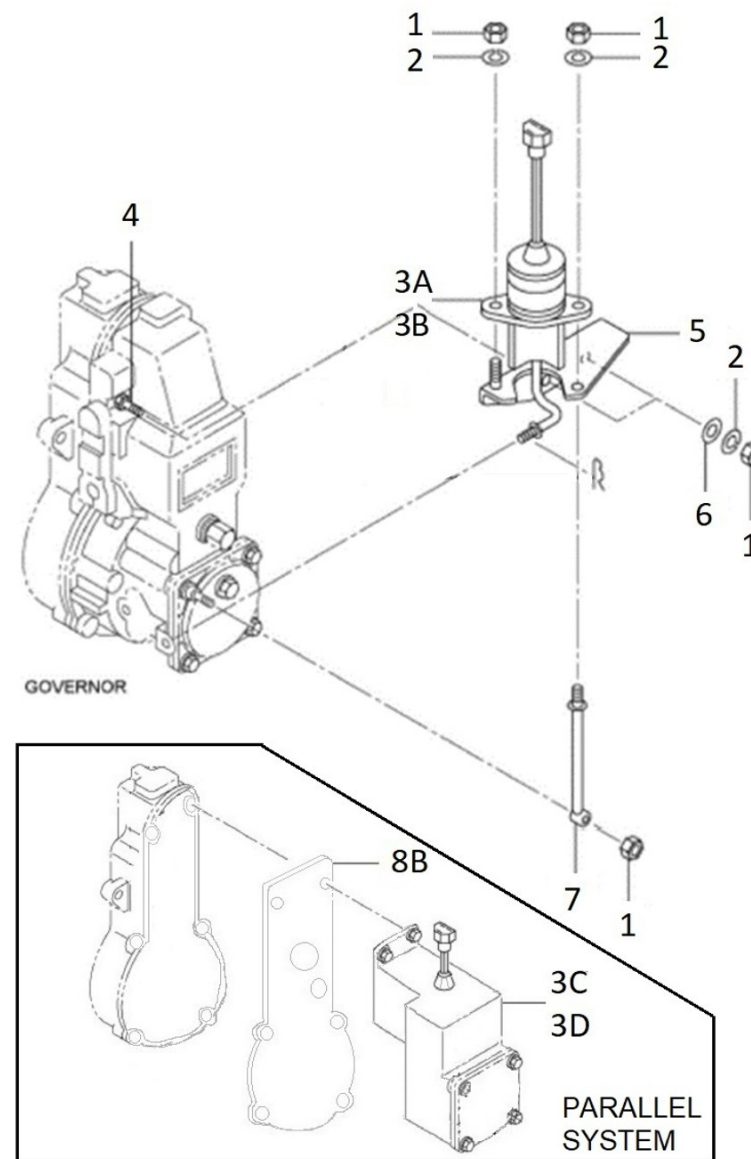
**D\_MI10\_4\_2 Injection Nozzle**

Fig.	Ref.	Qty.	Descr.	Obs	From	UpTo
2FAY	13826015	0	Washer 1,50	#		
2FAZ	17126045	0	Washer 1.525	#		
2FBA	13826016	0	Washer 1,55	#		
2FBB	17126047	0	Washer 1.575	#		
2FBC	13826017	0	Washer 1,60	#		
2FBD	17126049	0	Washer 1.625	#		
2FBE	13826019	0	Washer 1,65	#		
2FBF	17126051	0	Washer 1.675	#		
2FBG	13826020	0	Washer 1,70	#		
2FBH	17126053	0	Washer 1.725	#		
2FBI	17126054	0	Washer 1.750	#		
2FBJ	17126055	0	Washer 1.775	#		
2FBK	17126056	0	Washer 1.800	#		
2FBL	17126057	0	Washer 1.825	#		
2FBM	17126058	0	Washer 1.850	#		
2FBN	17126059	0	Washer 1.875	#		
2FBO	17126060	0	Washer 1.900	#		
2FBP	17126061	0	Washer 1.925	#		
2FBQ	17126062	0	Washer 1.950	#		
3	13326130	6	TIP Assy Nozzle			



D\_SM105GTDN\_04\_3 Governor Parts

Fig.	Ref.	Qty.	Descr.	Obs	From	UpTo
1	17223032	5	Nut			
2	53033006	4	Washer GROWER DIN 127-6			
3A	17424025G	1	Solenoid			
3B	17425264.2	1	Solenoid 24V			
Figure b for 24V System						
3C	60972516	1	G.A.C 175 Series 12V Integrated Actuator			
Figure C for Parallel System 12V						
3D	60972520	1	G.A.C. 175 Series 24V Integrated Actuat.			
Figure D for Parallel System 24V						
4	17427003G	2	Rod,Solenoid			
5	17427005G	1	Bracket			
6	51030006	2	Washer DIN 125-6			
7	17427006G	1	ROD,Support			
8B	60972518	1	Assembly kit for 175 series actuator			
Figure b for Parallel System						





D_17A14002		Kit 2nd Fuel Filter TAC			
Fig.	Ref.	Qty.	Descr.	Obs	From UpTo
1	19424022	2	Fuel Filter Element SDZ-165/205/280		
2	51030010	2	Washer DIN 125-10		
3	53033010	2	Washer GROWER DIN 127-10		
4	17A14001	1	Double Filter Bracket		
5	52120010	2	Nut DIN 934 M10 8.8		
6	52102360	2	Bolt DIN 933 M12-35 8.8		
8	52102258	1	Bolt DIN 933 M8-25 8.8		
9	53033008	1	Washer GROWER DIN 127-8		
10	19414024	1	Fitting Adapter Male 3/8" to M14x1.5		
11	17A14023	1	Fuel Hose DNV		
12	17A14024	1	Fuel Hose DNV		
13	19414039	2	Racor Fitting Male M18x150-M20x150		
14	57000369	2	Washer 14,2-20-1,5		
15	1A010023	1	Spacer		
16	56000069	1	Washer 14-20-1,5		
17	17414002	1	Bracket		22/05/2023
17	17414008	1	Fuel Filter Cover		23/05/2023
18	52101311	2	Bolt DIN 931 M10-40 8.8		22/05/2023
18	52101318	2	Bolt DIN 931 M10-75 8.8		23/05/2023
19	56000228	2	Copper Washer 18-24-3		23/05/2023
19	57000378	2	Washer 18-24-1,5		22/05/2023

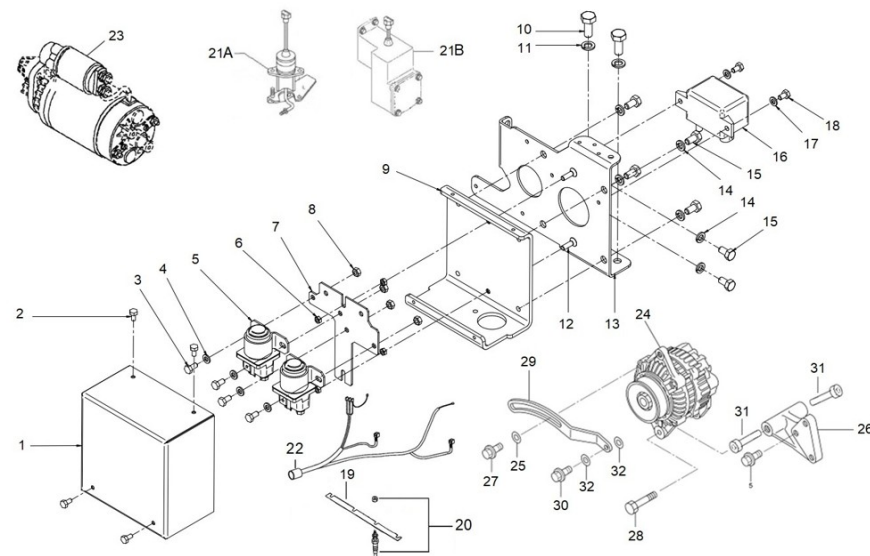
IMAGEN  
DISPONIBLE  
PRÓXIMAMENTE

IMAGE AVAILABLE  
COMING SOON



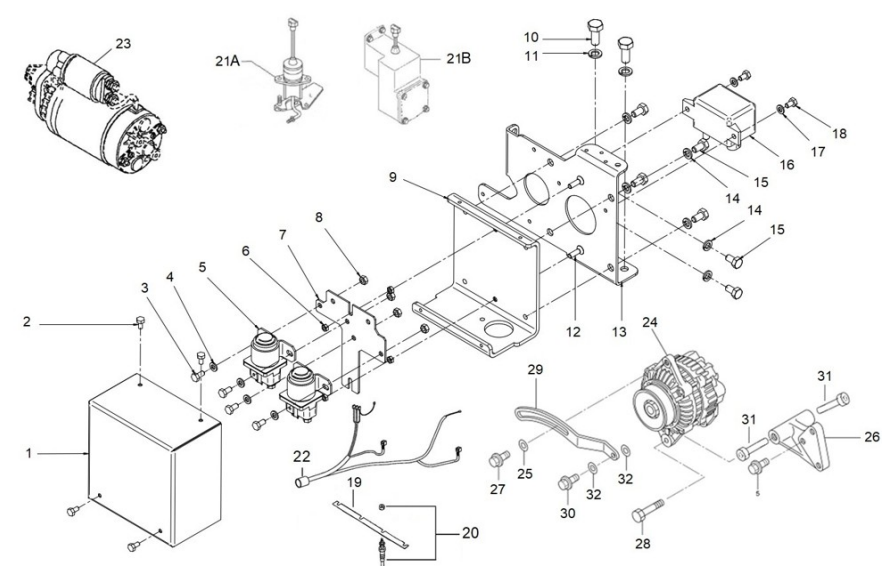
D\_SM105GTDN\_05\_1 Electrical System 12V

Fig.	Ref.	Qty.	Descr.	Obs	From	UpTo
1	6097A005	1	Metal Box Cover			
2	52102104	4	Bolt DIN 933 M5-10 8.8			
3	58101155	4	Bolt DIN 933 M6-12 Nylon			
4	58030603	4	Washer DIN 125-6 Nylon			
5	17527005	2	Relay 12V 200A			
6	52120005	4	Nut DIN 934 M5 8.8			
7	6097A002.03	1	Relay Bracket			
8	52120006	4	Nut DIN 934 M6 8.8			
9	6097A004	1	Back Part Metal Box			
10	52102308	2	Bolt DIN 933 M10-25 8.8			
11	53033010	2	Washer GROWER DIN 127-10			
12	54105157	1	Bolt DIN 7991 M6-20 INOX.			
13	17B17001	1	Relays Box Bracket			
14	53033008	6	Washer GROWER DIN 127-8			
15	52102256	6	Bolt DIN 933 M8-16 8.8			
16	19017113	1	Relay 12V Earth Isolated Nagares			
17	51030006	2	Washer DIN 125-6			
18	52102154	2	Bolt DIN 933 M6-10 8.8			
19	17527018	1	Plate Glow Plug			
20	17127017	6	Plug, glow			
21A	17424025G	1	Solenoid			
21B	60972516	1	G.A.C 175 Series 12V Integrated Actuator			
22	6097A206	1	Elect. Inst. G. G. SM-81 SM-103 TAC			
23	17427001G	1	Starter Assy 12 V			
24	17427010G	1	Alternator 12V/50A			
25	17331008	1	Washer			
26	17427002G.1	1	Alternator Bracket, Earth Isolated			
27	17425036	1	Bolt,Flange			
28	52101326	1	Bolt DIN 931 M10-130 8.8			
29	17427007.1	1	Plate,Adjusting			
30	13827012	1	Bolt			



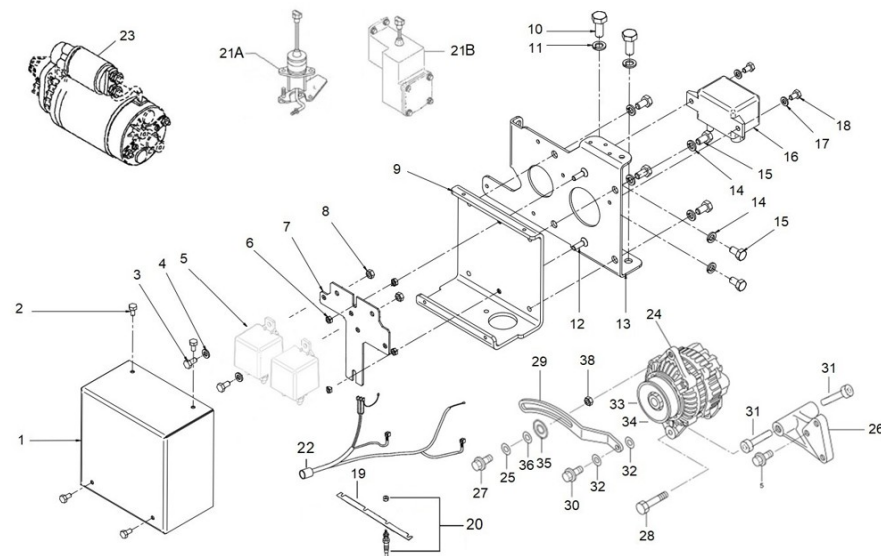
D\_SM105GTDN\_05\_1 Electrical System 12V

Fig.	Ref.	Qty.	Descr.	Obs	From	UpTo
31	17117011	2	Bracket Bakelite Bushing			
32	17117012	2	Tensor Bakelite Bushing			
NS	60900956	1	10k ohm Resistor			



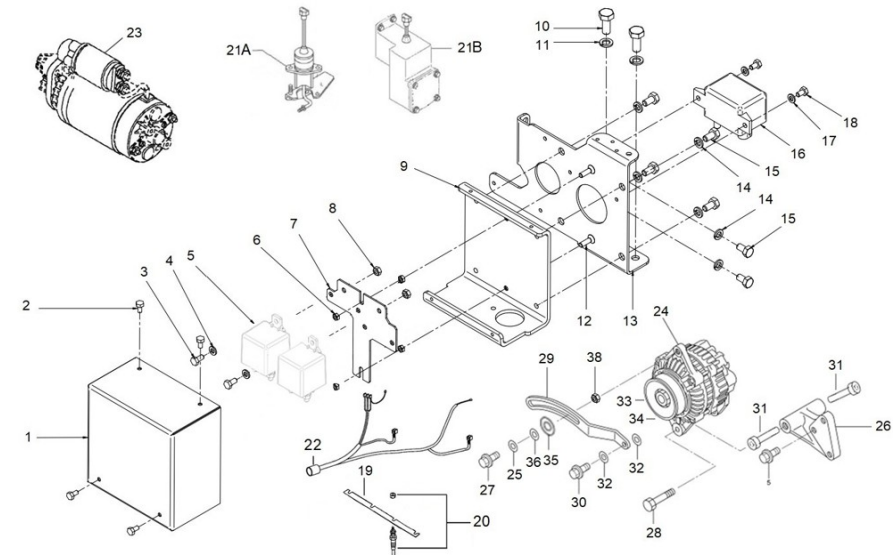
D\_SM105GTDN\_05\_2 Electrical System 24V

Fig.	Ref.	Qty.	Descr.	Obs	From	UpTo
1	6097A005	1	Metal Box Cover			
2	52102104	4	Bolt DIN 933 M5-10 8.8			
3	58101155	2	Bolt DIN 933 M6-12 Nylon			
4	58030603	2	Washer DIN 125-6 Nylon			
5	17417005	2	Relay 24V 24-100			
6	52120005	4	Nut DIN 934 M5 8.8			
7	6097A002.03	1	Relay Bracket			
8	52120006	2	Nut DIN 934 M6 8.8			
9	6097A004	1	Back Part Metal Box			
10	52102308	2	Bolt DIN 933 M10-25 8.8			
11	53033010	2	Washer GROWER DIN 127-10			
12	54105157	1	Bolt DIN 7991 M6-20 INOX.			
13	17B17001	1	Relays Box Bracket			
14	53033008	6	Washer GROWER DIN 127-8			
15	52102256	6	Bolt DIN 933 M8-16 8.8			
16	19017114	1	Relay 24V Earth Isolated Nagares			
17	51030006	2	Washer DIN 125-6			
18	52102154	2	Bolt DIN 933 M6-10 8.8			
19	17527018	1	Plate Glow Plug			
20	17527017.2	6	Glow Plug 24V			
21A	17425264.2	1	Solenoid 24V			
21B	60972520	1	G.A.C. 175 Series 24V Integrated Actuat.			
22	6097A206	1	Elect. Inst. G. G. SM-81 SM-103 TAC			
23	17527001.2	1	Starter Assy 24V			
24	17417024	1	Alternator 28V/55A			
25	51031008	1	Washer DIN 9021 8			
26	17427002.5	1	Alternator Bracket, Earth Isolated			
27	52101260	1	Bolt DIN 931 M8-35 8.8			
28	52101326	1	Bolt DIN 931 M10-130 8.8			
29	17427007.1	1	Plate, Adjusting			
30	13827012	1	Bolt			



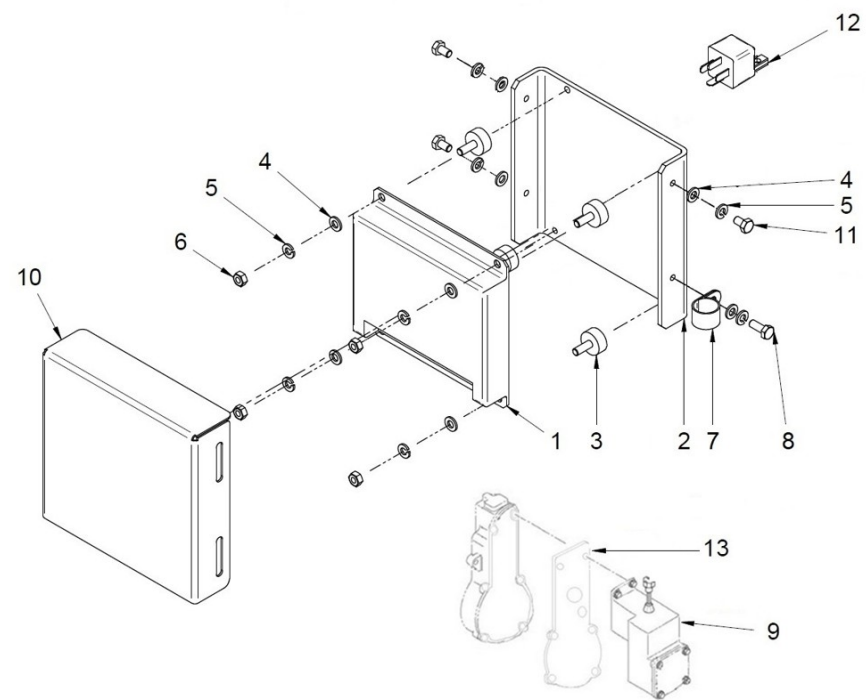
D\_SM105GTDN\_05\_2 Electrical System 24V

Fig.	Ref.	Qty.	Descr.	Obs	From	UpTo
31	17117011	2	Bracket Bakelite Bushing			
32	17117012	2	Tensor Bakelite Bushing			
33	17117002	1	Spacer 8,5X20X5			
34	17517011	1	Pulley			
35	51030018	1	Washer DIN 125-18			
36	53038008	1	Washer DIN 6798-A 8			
37	53033018	1	Washer GROWER DIN 127-18			
38	52120008	1	Nut DIN 934 M8 8.8			
NS	60900063	4	Insulator Cap Faston 6.3			
NS	60900956	1	10k ohm Resistor			
NS	TFH.1M.6.3.08	4	Straight Receptacle 1 Sec. Faston			



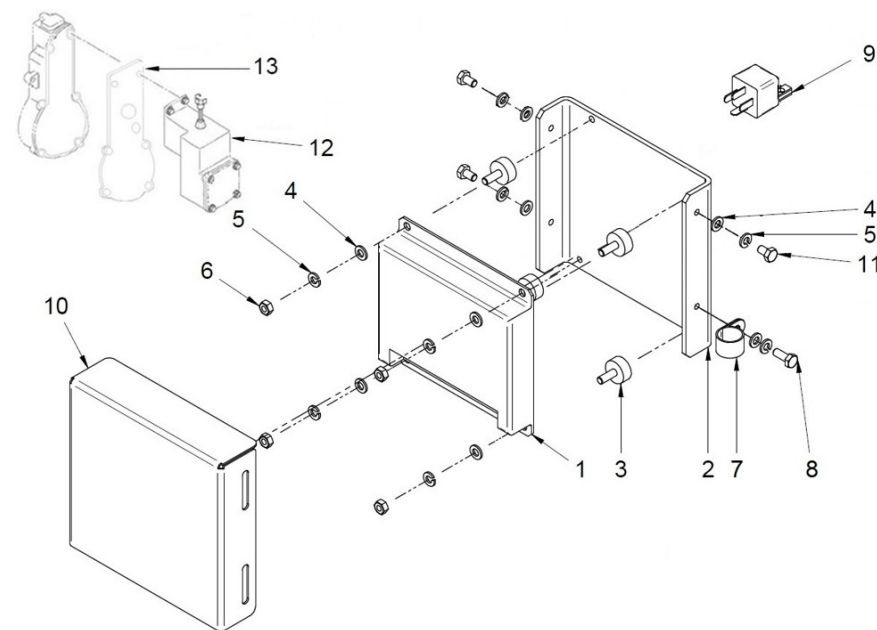
**D\_60974511 Parallel Control System 12V**

Fig.	Ref.	Qty.	Descr.	Obs	From	UpTo
1	60972521	1	Speed Control Unit G.A.C. ESD-5500 Ser.			
2	17317007	1	Electronic Unit Bracket			
3	17A14009	4	Anti Vibration Mount M6			
4	51030006	8	Washer DIN 125-6			
5	53033006	8	Washer GROWER DIN 127-6			
6	52120006	4	Nut DIN 934 M6 8.8			
7	59071224	1	Clamp RSGU 1 22/15 W1			15/11/2023
7	59071324	1	Clamp RSGU 1 32/15 W1		15/11/2023	
8	52102156	1	Bolt DIN 933 M6-16 8.8			
9	60972516	1	G.A.C 175 Series 12V Integrated Actuator			
10	17317008	1	Parallel electronic unit cover			
11	52102154	3	Bolt DIN 933 M6-10 8.8			
12	63900028	1	Relay 12V 20/30A NO+NC			
13	60972518	1	Assembly kit for 175 series actuator			
NS	58088284	1	Pastic Cable Zip Tie			
NS	60972517	1	Connector for actuator Packard type			
NS	60974223DNV	1	Auxiliary Installation Parallel TAC Genset			



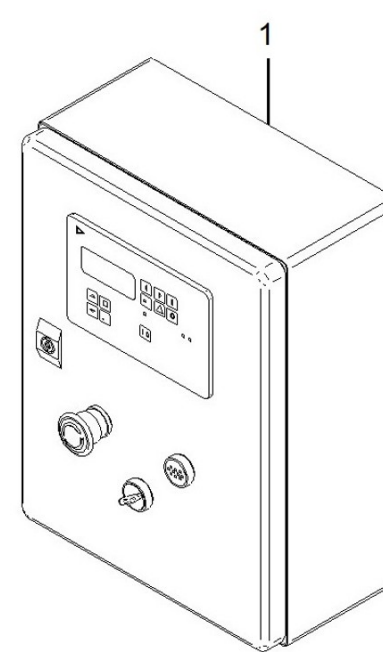
D\_60974512 Parallel Control System 24V

Fig.	Ref.	Qty.	Descr.	Obs	From	UpTo
1	60972521	1	Speed Control Unit G.A.C. ESD-5500 Ser.			
2	17317007	1	Electronic Unit Bracket			
3	17A14009	4	Anti Vibration Mount M6			
4	51030006	8	Washer DIN 125-6			
5	53033006	8	Washer GROWER DIN 127-6			
6	52120006	4	Nut DIN 934 M6 8.8			
7	59071224	1	Clamp RSGU 1 22/15 W1			15/11/2023
7	59071324	1	Clamp RSGU 1 32/15 W1		15/11/2023	
8	52102156	1	Bolt DIN 933 M6-16 8.8			
9	63900029	1	Relay 24V 10/20A NO+NC			
10	17317008	1	Parallel electronic unit cover			
11	52102154	3	Bolt DIN 933 M6-10 8.8			
12	60972520	1	G.A.C. 175 Series 24V Integrated Actuat.			
13	60972518	1	Assembly kit for 175 series actuator			
NS	60972517	1	Connector for actuator Packard type			
NS	60974223DNV	1	Auxiliary Installation Parallel TAC Genset			



D\_SM105GTDN\_05\_4 Control and Power Cabinets

Fig.	Ref.	Qty.	Descr.	Obs	From	UpTo
1B	6097A215	2	Box CO 40 17/25/35/45/50/68 GT TAC 12V			
1B	6097A217	1	Box CO 40 17/25/35/45/50/68 GT TAC 12V Prep.Par.			
1C	6097A219	1	Box CO 40 17/25/35/45/50/68 GT TAC 24V Prep.Par.			
1C	6097A220	2	Box CO 40 17/25/35/45/50/68 GT TAC 24V			
2A	60975739	1	Parallel Kit 50 GT 230V TAC Control and Power 12V			
2B	60975740	1	Parallel Kit 50 GT 230V TAC Control and Power 24V			
2C	60975741	1	Parallel Kit 50 GT 400/230V TAC Control and Power 12			
2D	60975742	1	Parallel Kit 50 GT 400/230V TAC Control and Power 24			
2E	60975746	1	Parallel Kit 60 GTA 240V TAC Control and Power 24V			
2F	60975747	1	Parallel Kit 60 GTA 240V TAC Control and Power 12V			
2G	60975748	1	Parallel Kit 60 GTA 480/277V TAC Control and Power 1			
2H	60975749	1	Parallel Kit 60 GTA 480/277V TAC Control and Power 2			



D\_1138T Genset Extension TAC

Fig.	Ref.	Qty.	Descr.	Obs	From	UpTo
1A	6097A216	1	Wiring Extension Genset TAC 6 M.			
1B	6097A218	1	Wiring Extension TAC Genset 12 M. CPC 37 V.			
1C	60974552	1	3-way Wiring Wxtension for Auxiliary Kits 4 m			
1D	60900165	1	3-way Wiring Extension for Auxiliary Kits 6 m			
1F	60900166	1	3-way Wiring Extension for Auxiliary Kits 12 m			
1G	60900167	1	3-way Wiring Extension for Auxiliary Kits 24 m			
1H	60972104	1	Double Panel SCO 12 M. Harness			
1I	60972105	1	Double Panel SCO 24 M. Harness			
1J	60972110	1	Double Panel SCO 36 M. Harness			
1K	60974227.12	1	AVR External Control Cable 12m.			
1L	60974228.12	1	ECU External Control Cable 12m.			
1M	60974227.24	1	AVR External Control Cable 24m.			
1N	60974228.24	1	ECU External Control Cable 24m.			





# Genset 50 GT/GTC & 60 GTA/GTAC Type Approval Certificate **Genset Alternator Spare Parts**

## D\_SM105GTST\_06\_1 Alternator 50 GT/GTC & 60 GTA/GTAC

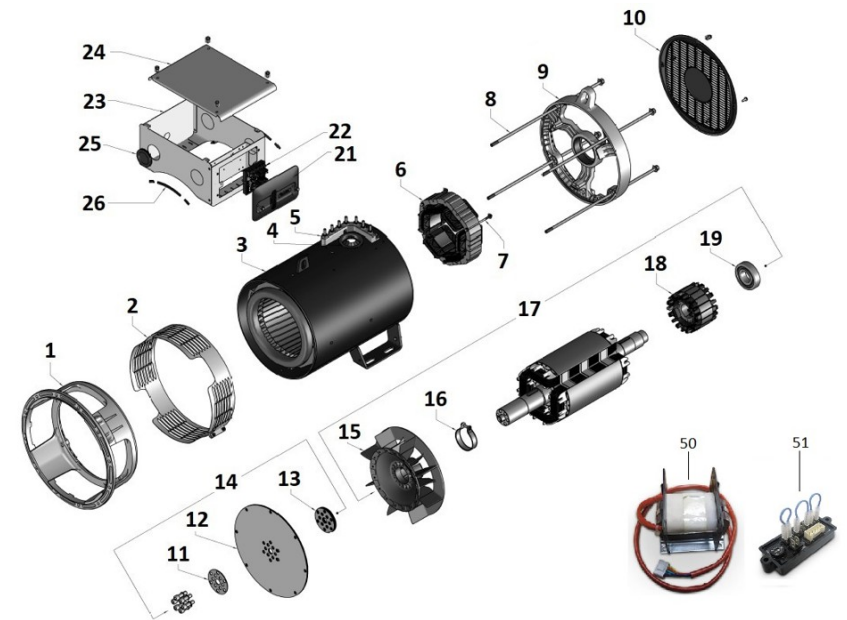
Fig.	Ref.	Qty.	Descr.	Obs	From	UpTo
1A	605113050ZI6R	1	Alt.MECC.ALTE III 50KVA 400/230V C-TYPE (R)			
1B	605113050PI6R	1	Alt.MECC.ALTE III 50KVA 400/230V C-TYPE P (R)			
1C	605113050ZI2R	1	Alt.MECC.ALTE III 50 KVA 230V C-TYPE (R)			
1D	605113050PI2R	1	Alt.MECC.ALTE III 50 KVA 230V C-TYPE P (R)			
1E	605123060ZI5R	1	Alt.MECC.ALTE III 60 KVA 480/277V C-TYPE (R)			
1F	605123060PI2R	1	Alt.MECC.ALTE III 60 KVA 480/277VC-TYPE P (R)			
1G	605123060ZI4R	1	Alt.MECC.ALTE III 60 KVA 1800RPM 240V C-TYPE (R)			
1H	605123060PI3R	1	Alt.MECC.ALTE III 60 KVA 240V C-TYPE P (R)			
1I	605113050ZI4RCTC	1	Subst. Alt. MECC. Type B For Type C III 50KVA 1500 4			
1J	605113050ZI5RCTC	1	Subst. Alt. MECC. Type B For Type C III 50KVA 150023			
1K	605113050PI5RCTC	1	Subst. Alt. MECC. Type B For C III 50KVA 1500RPM 230			
1L	605113050PI4RCTC	1	Subst. Alt. MECC. Type B For C III 50KVA 1500400/230			
1M	605123060ZI3RCTC	1	Subst. Alt. MECC. Type B For Type C III 60KVA 1800 2			
1O	605123060ZI2RCTC	1	Subst. Alt. MECC. Type B For Type C III 60KVA 1800 4			
1P	605123060PI5RCTC	1	Subst. Alt. MECC. Type B For C III 60KVA 1800RPM 240			
1Q	605123060PI4RCTC	1	Subst. Alt. MECC. Type B For C III 60KVA 1800 480/27			



# Genset 50 GT/GTC & 60 GTA/GTAC Type Approval Certificate Genset Alternator Spare Parts

## D\_605113050Zi6 Alternator Spare Parts TYPE C From 30/12/2021

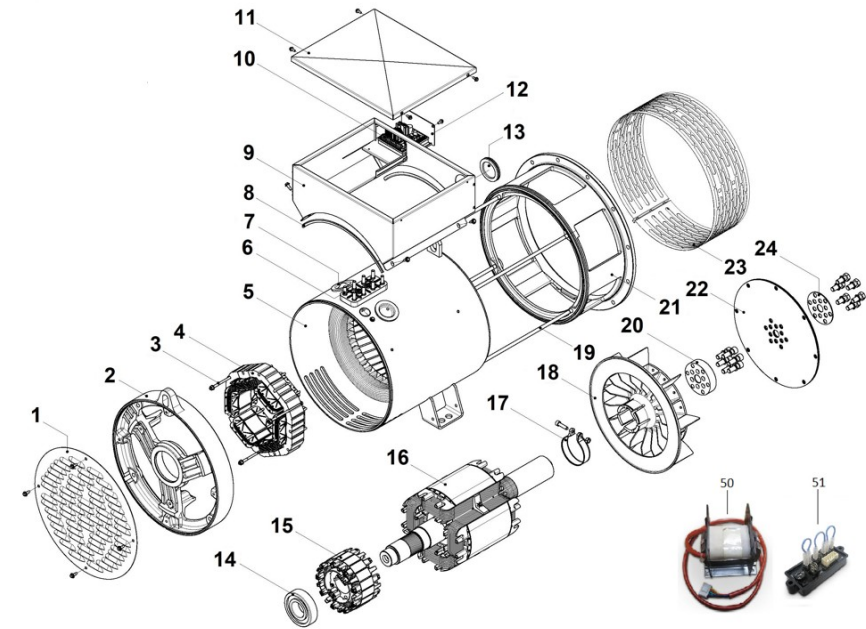
Fig.	Ref.	Qty.	Descr.	Obs	From	UpTo
1	605113050Zi6.1	1	Drive End Bracket			
2	605113050Zi6.2	1	Protection Screen			
3	605113050Zi6.3	1	Frame and Stator			
4	605113050Zi6.4	1	Cable Grommet diam. 70 mm			
5	605113050Zi6.13	1	Kit Terminal Board 7			
6	605113050Z4.4	1	Exciter Stator H-45 6P			
7	605113050Zi6.6	1	Exciter Stay Bolt H-45			
8	605113050Zi6.7	1	Cover Stay Bolt			
9	605113075Zi2.3	1	Non Drive end Bracket			
10	605113050Zi6.9	1	Rear Seal			
11	605113050Z4.23	1	Disc Bloking Ring-Spacer			
12	605113050Zi6.10	1	Disc SAE 11,5			
13	605113050Z4.19	1	Ring Spacer Vol. 8 - 10			
14	605113050Z4.21	1	Kit Coupling Disc Plates SAE 11,5			
15	605113050Z4.17	1	Plastic Fan			
16	605113050Z4.16	1	Clamp			
17	605113050Zi6.11	1	Rotor Assy			
18	605113050Zi6.12	1	Exciter Armature H-45 6P (+ Diodes T30)			
19	605113050Z4.13	1	Rear Bearing 6309-2RS C3			
21	M9909505310	1	Regulator Cap			
22	60500023.1	1	Electronic Regulator DSR			
23	M7510603373	1	Terminal Box			
24	M9903910114	1	Terminal Box Lid			
25	605113050Z4.12	1	Cable Grommet			
26	19620078	1	Rubber Profile EPDM 0,54m			
50	60511386P	1	PD500 Parallel Device			
51	60511387P	1	PD-I Parallel Device			



# Genset 50 GT/GTC & 60 GTA/GTAC Type Approval Certificate Genset Alternator Spare Parts

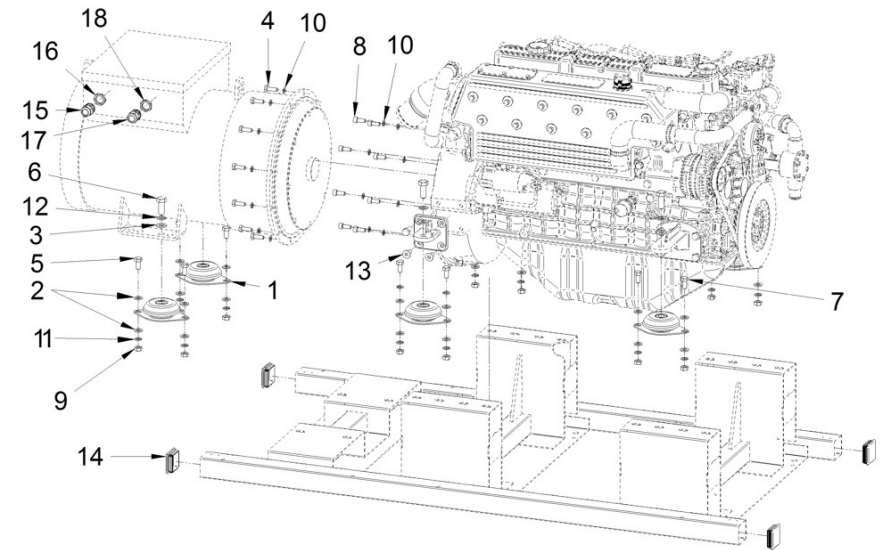
## D\_605113050Z4 Spare Part List Alternator Type B Upto 29/12/2021

Fig.	Ref.	Qty.	Descr.	Obs	From	UpTo
1	605113050Z4.1	1	Rear Seal			
2	605113050Z4.2	1	Non Drive End Bracket			
3	605113050Z4.3	2	Exciter Stay Bolt H-45 (S, M)			
4	605113050Z4.4	1	Exciter Stator H-45 6P			
5	605113050Z4.5	1	Frame and Stator 1M			
6	605113050Z4.6	1	Terminal Board 8 pin			
7	605113050Z4.7	1	Cable Grommet			
8	605113050Z4.8	2	PVC Rubber Profile			
9	605113050Z4.9	1	Terminal Box (Not Painted)			
10	60500023.1	1	Electronic Regulator DSR			
11	605113050Z4.10	1	Terminal Box Lid (Not Painted)			
12	605113050Z4.11	1	Regulator Holding Panel (Not Bainted)			
13	605113050Z4.12	1	Cable Grommet			
14	605113050Z4.13	1	Rear Bearing 6309-2RS C3			
15	605113050Z4.14	1	Exciter Armature H-45 6P			
16	605113050Z4.15	1	Rotor Assy 1M, MD35			
17	605113050Z4.16	1	Clamp			
18	605113050Z4.17	1	Plastic Fan			
19	605113050Z4.18	1	Cover Stay Bolt 32 M			
20	605113050Z4.19	1	Ring Spacer Vol. 8 - 10			
21	605113050Z4.20	1	Drive end bracket MD35/3			
22	605113050Z4.21	1	Kit Coupling Disc Plates SAE 11,5			
23	605113050Z4.22	1	Protection Screen MD35			
24	605113050Z4.23	1	Disc Bloking Ring-Spacer			
50	60511386P	1	PD500 Parallel Device			
51	60511387P	1	PD-I Parallel Device			
NS	605113050Z4.24	1	Kit Terminal Box Painted (2+20+75b+98+17)			
NS	605113050Z4.25	1	Kit USB2DxR			
NS	60511320.1.11	1	Diode			



D\_60575105 Alternator Kit Without Cabin

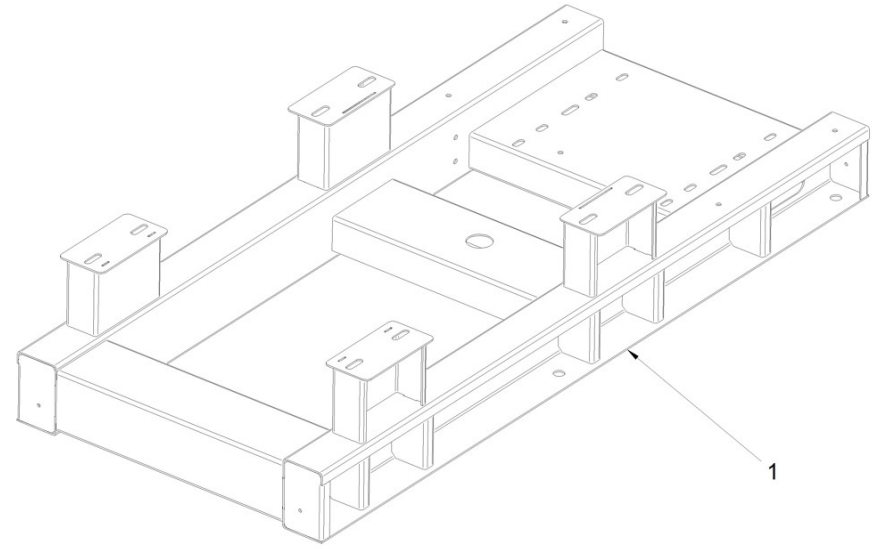
Fig.	Ref.	Qty.	Descr.	Obs	From	UpTo
1	61674001	6	Engine Mount Type F 40 SHA M16 H 41			
1	61674007	6	Engine Mount Type F BRB 110 A40 SHA M16 H 41			
2	51030012	24	Washer DIN 125-12			
3	51030016	6	Washer DIN 125-16			
4	52102309	12	Bolt DIN 933 M10-30 8.8			
5	52102358	12	Bolt DIN 933 M12-25 8.8			
6	52102459	2	Bolt DIN 933 M16-30 8.8			
7	52102461	6	Bolt DIN 933 M16-40 8.8			
8	52103308	8	Bolt DIN 912 M10-25 8.8			
9	52120012	12	Nut DIN 934 M12 8.8			
10	53033010	20	Washer GROWER DIN 127-10			
11	53033012	12	Washer Grower DIN 127-12			
12	53033016C	6	Washer			
13	53105359	4	Bolt DIN 7991 M12-30 12.9			
14	60539019	4	LID (60 Tube)			
15	60900306	1	Connector Press CAPTOR-2000 M25 RAL7001			
16	60900309	1	Screw Connector Press Captor-2000 M25			
17	60900310	1	Connector Press CAPTOR-2000 M32 RAL7001			
18	60900311	1	Screw Connector Press Captor-2000 M32			
NS	60900159	1	Tubular Terminal			
NS	TR.1.5.8	4	Ring Terminal 1.5 Sec.			



D\_6057A020 SM-81 Engine Bed

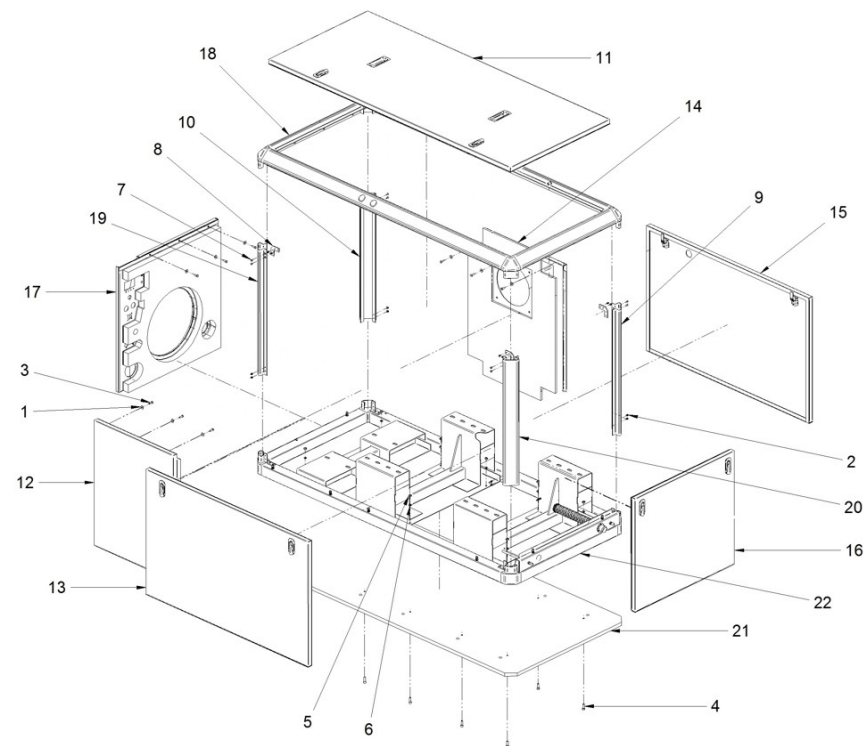
Fig.	Ref.	Qty.	Descr.	Obs	From	UpTo
------	------	------	--------	-----	------	------

1	6057A020	1	SM-81 Engine Bed			
---	----------	---	------------------	--	--	--



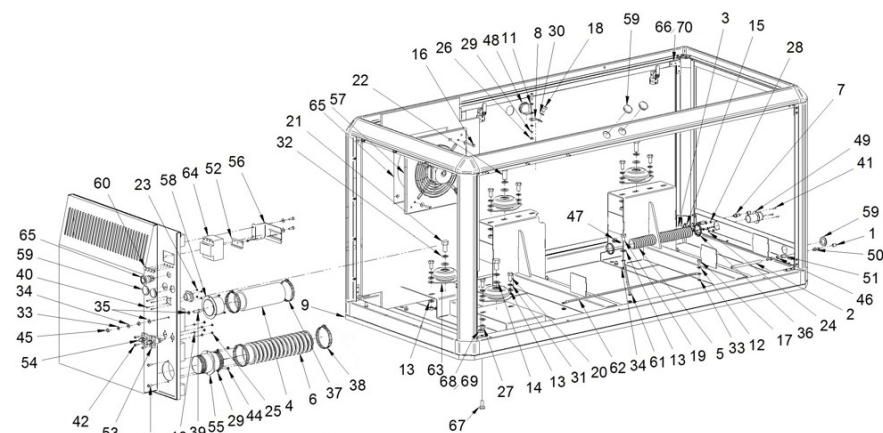
**D\_AF01\_4\_1 Cabin**

Fig.	Ref.	Qty.	Descr.	Obs	From	UpTo
1	51031006	15	Washer DIN 9021 6			
2	51058054	22	Aluminium Rivet 4.0 X 10			
3	52102157	12	Bolt DIN 933 M6-20 8.8			
4	52103258	10	Bolt DIN 912 M8-25 8.8			
5	52120008	10	Nut DIN 934 M8 8.8			
6	53033008	10	Washer GROWER DIN 127-8			
7	53105104	8	Bolt DIN 7991 M5-10 12.9			
8	60573041.43	4	L Fastening Bracket			
9	60575041.03	1	VERTICAL BAR			
10	60575041.04	1	VERTICAL BAR			
11	60575041.20	1	Upper Panel			
12	60575041.21A	1	LEFT Side Panel FIXED			
13	60575041.21B	1	LEFT Side Panel MOBILE			
14	60575041.22A	1	Out Side Air Panel FIXED			
15	60575041.22B	1	RIGHT Side Panel MOBILE			
16	60575041.24	1	FrontAL Panel			
17	60575041.25	1	Back Panel			
18	60575041.30	1	Upper FRAME			
19	60575041.31	1	VERTICAL BAR			
20	60575041.32	1	VERTICAL BAR			
21	60575047.10	1	Baseboard			
22	60575047.61	1	Bottom Frame			



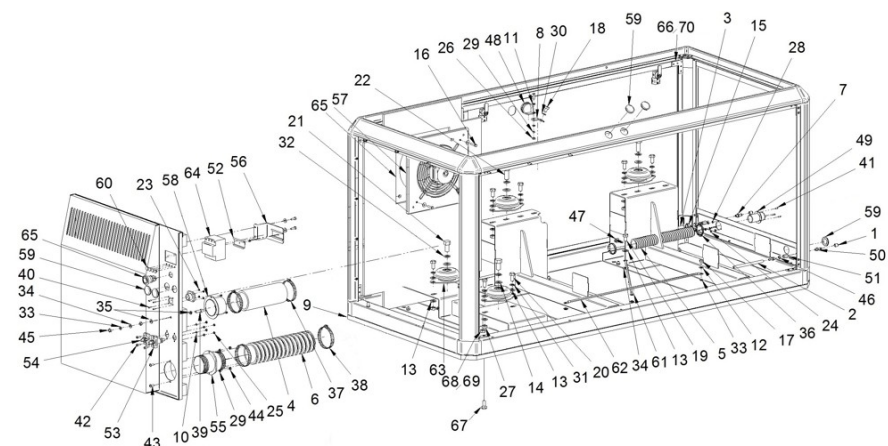
D\_SM105GTDN\_09\_2 Cabin Kit

Fig.	Ref.	Qty.	Descr.	Obs	From	UpTo
1	CAP.FLEXI0077	2	Rubber Cap D. 7.7 X 13			
2	M80501006	1.0	Hose D.10-6			
3	17A14007	1	Fuel Hose DNV			
4	M81517083	1.0	Air Suction Hose D. 70-85			04/03/2024
4	M88577000	1.0	Air Aspiration Hose D. 70		04/03/2024	
5	M88503242	0.0	DNV Water Intake Hose D. 32-42			
6	M88507587	1.0	Exhaust Hose D. 76			
7	19414030	2	STRAIGHT COUPLING 3/8			
8	13817011	1	Bracket			
10	51030005	4	Washer DIN 125-5			
11	51030006	4	Washer DIN 125-6			
12	51030008	21	Washer DIN 125-8			
13	51030012	25	Washer DIN 125-12			
14	51030016	6	Washer DIN 125-16			
15	51086015	2	One Ear Clamp With Interior Ring 13-15,3			
16	52102159	4	Bolt DIN 933 M6-30 8.8			
17	52102254	1	Bolt DIN 933 M8-10 8.8			
18	52102306	1	Bolt DIN 933 M10-15 8.8			
19	52102357	1	Bolt DIN 933 M12-20 8.8			
20	52102358	12	Bolt DIN 933 M12-25 8.8			
21	52102459	2	Bolt DIN 933 M16-30 8.8			
22	52102461	6	Bolt DIN 933 M16-40 8.8			
23	52120003	4	Nut DIN 934 M3 8.8			
24	52120004	3	Nut DIN 934 M4 8.8			
25	52120005	4	Nut DIN 934 M5 8.8			
26	52120006	1	Nut DIN 934 M6 8.8			
27	52120012	12	Nut DIN 934 M12 8.8			
28	53033005	7	Washer GROWER DIN 127-5			
29	53033006	2	Washer GROWER DIN 127-6			
30	53033010	1	Washer GROWER DIN 127-10			
31	53033012	12	Washer Grower DIN 127-12			



D\_SM105GTDN\_09\_2 Cabin Kit

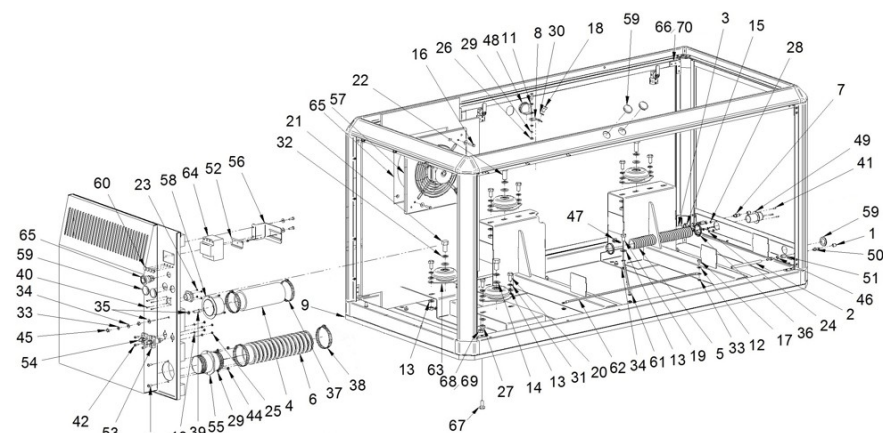
Fig.	Ref.	Qty.	Descr.	Obs	From	UpTo
32	53033016C	6	Washer			
33	53038008	4	Washer DIN 6798-A 8			
34	53038012	1	Washer DIN 6798-A 12			
35	54030008	3	Washer DIN 125-8 INOX.			
36	54082025	2	Clamp DIN 3017 25-40/12 W4			
37	54083079	2	GP Clamp 68-73 W4 STC		04/03/2024	
37	54083085	2	GP Clamp 79-85 W4 STC			04/03/2024
38	54083091	2	GP Clamp 85-91 W4 STC			
39	54103258	1	Bolt DIN 912 M8-25 INOX.			
40	54118004	4	Bolt DIN 7985 M3-10 INOX			
41	54118054	3	Bolt DIN 7985 M4-10 INOX			
42	54118106	4	Bolt DIN 7985 M5-16 INOX			
43	54118156	2	Bolt DIN 7985 M6-16 INOX			
44	54120006	2	Nut DIN 934 M6 INOX			
45	54120008	2	Nut DIN 934 M8			
46	57000361	2	Washer 10-14-1,5			
47	58018160	4	Screw			
48	59071452	1	Clamp 1 42/15 W1			
49	60571015	1	Sea Water Wall PASS			
50	13814072	2	Straight Hose Connector 1/8" NPTF			
51	60573041.39	2	ROD Coupling 1/8 BSP			
52	60573041.64	1	Switch Disconnecter Omega Bracket			
53	60573047	1	Battery Plug IN			
54	60573048	1	Battery Plug IN			
55	60574024	1	Exhaust Wall PASS 75			
56	60574043.42	1	Switch Disconnecter Bracket			
57	6057B050	1	Centrifugal Fan PSB 230V			
58	60575041.46	1	D70 Tube			
59	60900508	5	Shutter 31			
60	60900509	4	Shutter 6			
61	60975073	1	CHASSIS 0,5 M. TO MOTOR Wiring GROUND			



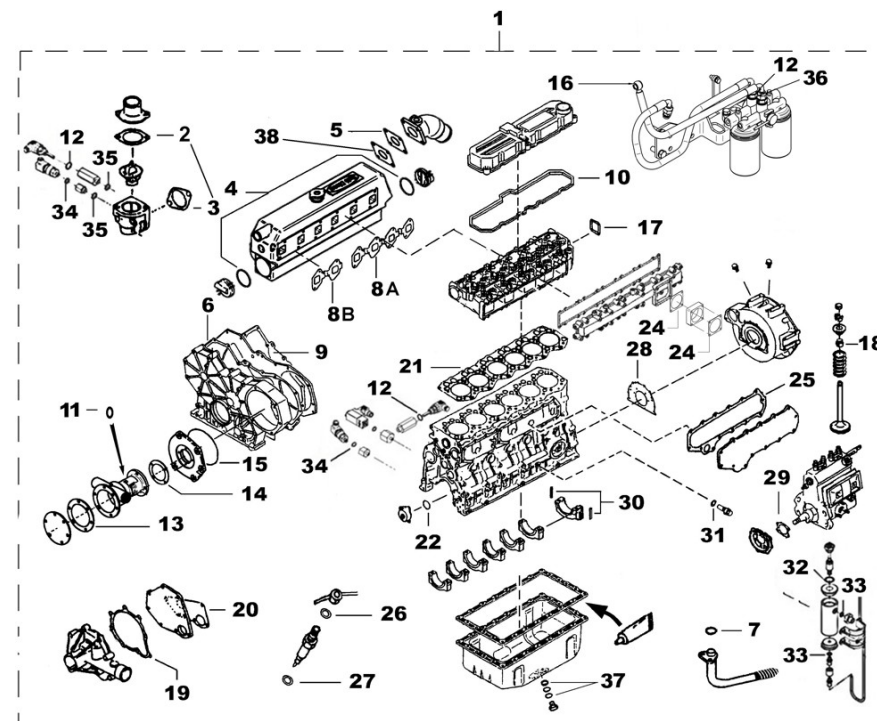


D\_SM105GTDN\_09\_2 Cabin Kit

Fig.	Ref.	Qty.	Descr.	Obs	From	UpTo
62	60975074	1	Panel Back 0,66 M. Wiring GROUND ALT.			
63	61674001	6	Engine Mount Type F 40 SHA M16 H 41			
63	61674007	6	Engine Mount Type F BRB 110 A40 SHA M16 H 41			
64	60975085	1	FOUR PoleS 63A Disconnecter			
65	6057A041.23B	1	Air Outlet Aluminium Sheet Box			
66	60573041.43	4	L Fastening Bracket			
67	52103258	10	Bolt DIN 912 M8-25 8.8			
68	52120008	10	Nut DIN 934 M8 8.8			
69	53033008	9	Washer GROWER DIN 127-8			
70	53105104	8	Bolt DIN 7991 M5-10 12.9			
NS	19414011	1	Fuel Hose			
NS	58088282	4	Pastic Cable Zip Tie			
NS	58088284	12	Pastic Cable Zip Tie			
NS	60971030	1	Positive Battery RED Wiring Sec. 50 mm - 1.75 m			
NS	60971031	1	Positive Battery Black Wiring Sec. 50 mm - 1.4 m			
NS	60972074	1	0,44 M. Back Panel To Alt. Wiring Ground			
NS	60972090	2	TER. PROTECTIVE 20 RED			
NS	60972091	2	TER. PROTECTIVE 20 BLACK			
NS	60974048	-1	0,73 M. BLACK Battery NEGATIVE Wiring			
NS	60974049	1	RED Battery POSITIVE Wiring			2021-12-30
NS	60974050	1	1 M. BLACK Battery NEGATIVE Wiring			
NS	60974051	1	Sec. 35 Black 1,4 m Ter. 10/10 cable			
NS	60994045	1	Ter. Protective 32 Red			2021-12-30

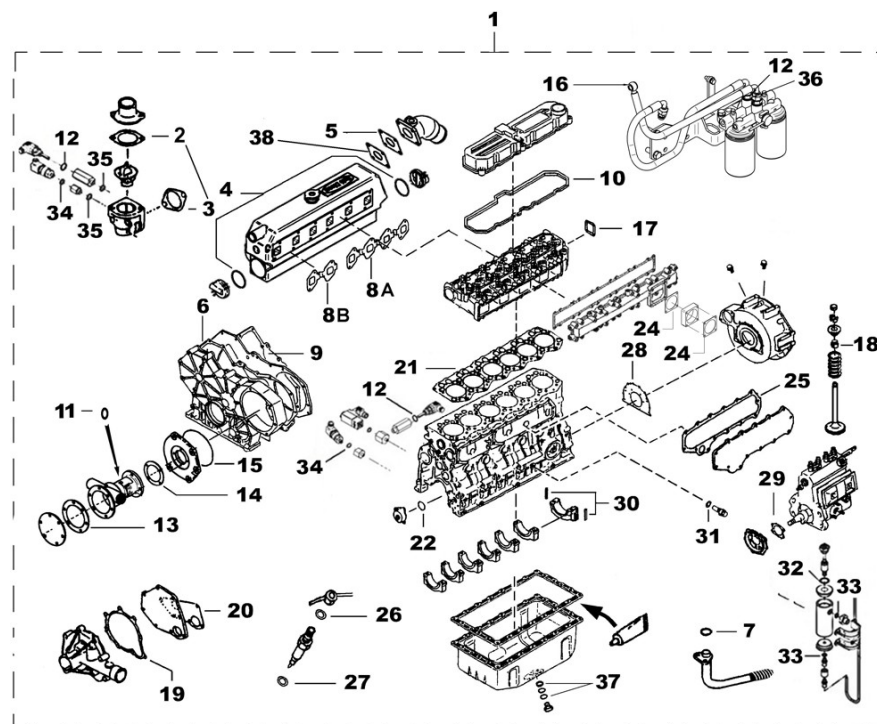


D_17520101DNV		Gasket Kit			
Fig.	Ref.	Qty.	Descr.	Obs	From UpTo
1	17520101DNV	1	Gasket Kit		
2	13321014	1	Gasket		
2	17111021	2	Gasket		
3	17421016G.2	1	Gasket (Generator)		
4	18011008	2	O-Ring D. 72X3		
5	16513002	1	Exhaust Elbow Gasket		
6	17420040	1	Gasket,Gear		
7	17424060	1	O-Ring D. 22X2,4		
8A	17421035	1	Gasket,Exhaust Manifold		
8B	17521035	1	Gasket		
9	17420018	1	Gasket,Front Plate		
10	17521010	1	Gasket,Rocker Cover		
11	33311013	1	O-Ring D. 15X2		
12	13324011	1	Washer		
12	56000083	4	Washer 21-26-1,5		
12	57000369	4	Washer 14,2-20-1,5		
13	34711003	1	Gasket Cover		
14	13310013	1	Gasket,water pump		
15	17420047	2	O-Ring D. 140X2		
16	17121013	1	Gasket		
17	17421011	1	Gasket		
18	17422054	12	Seal,Valve Stem		
19	17421022	1	Gasket,Pump Cover		
20	17421041	1	Gasket,Side Cover		
21	17521004	1	Cylinder Head Gasket		
22	17424055.1	1	O-Ring		
23	17521032	1	Gasket,IN.MANIFOLD		
24	17421042	2	Gasket		
25	17524062	1	Gasket,Side Cover		
26	17424025G.1	6	Gasket Fuel Return (Genset)		
27	13824013	6	Injector Washer		



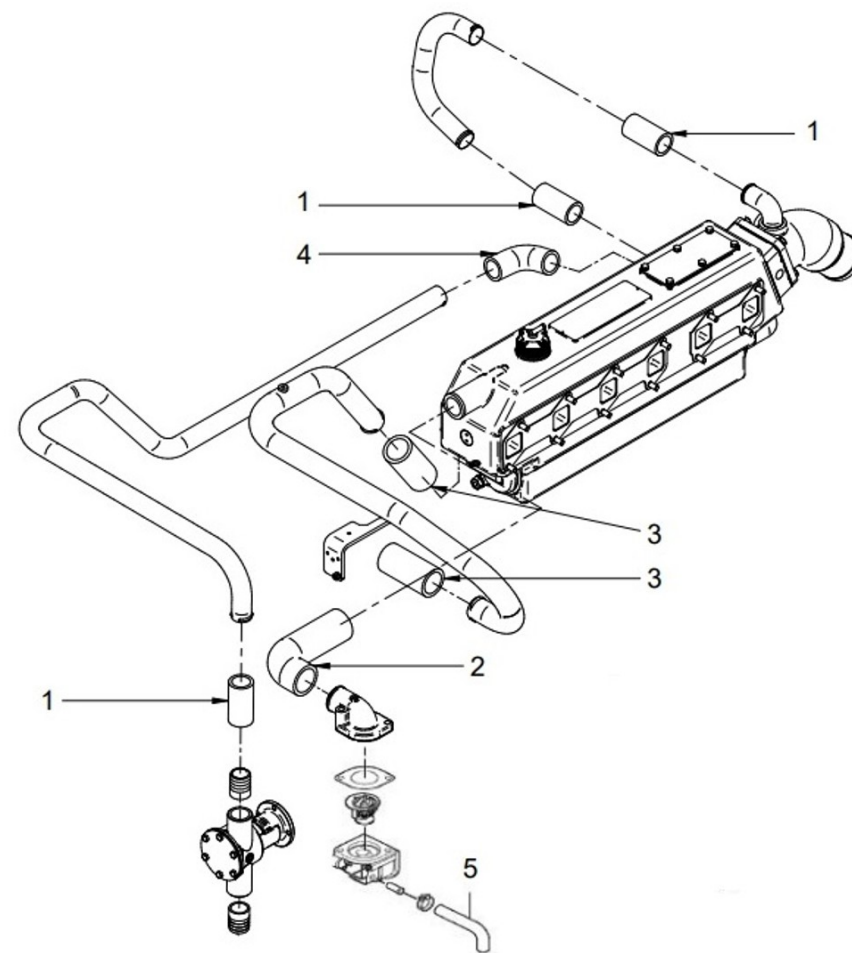
D\_17520101DNV Gasket Kit

Fig.	Ref.	Qty.	Descr.	Obs	From	UpTo
28	17420025	1	Gasket,Rear			
29	17425028	1	Gasket			
30	17420112	2	Seal,Valve			
31	17424008	10	Washer,SealING			
32	56000086	1	Washer 22,3-29-1,5			
33	56000061	2	Washer 10-16-1,5			
34	56000067	2	Washer 13-20-1,5			
35	56000073	2	Copper Washer 16-23-1,5			
36	57000378	2	Washer 18-24-1,5			
37	56000069	2	Washer 14-20-1,5			
38	17A13002	1	Exhaust Gasket			



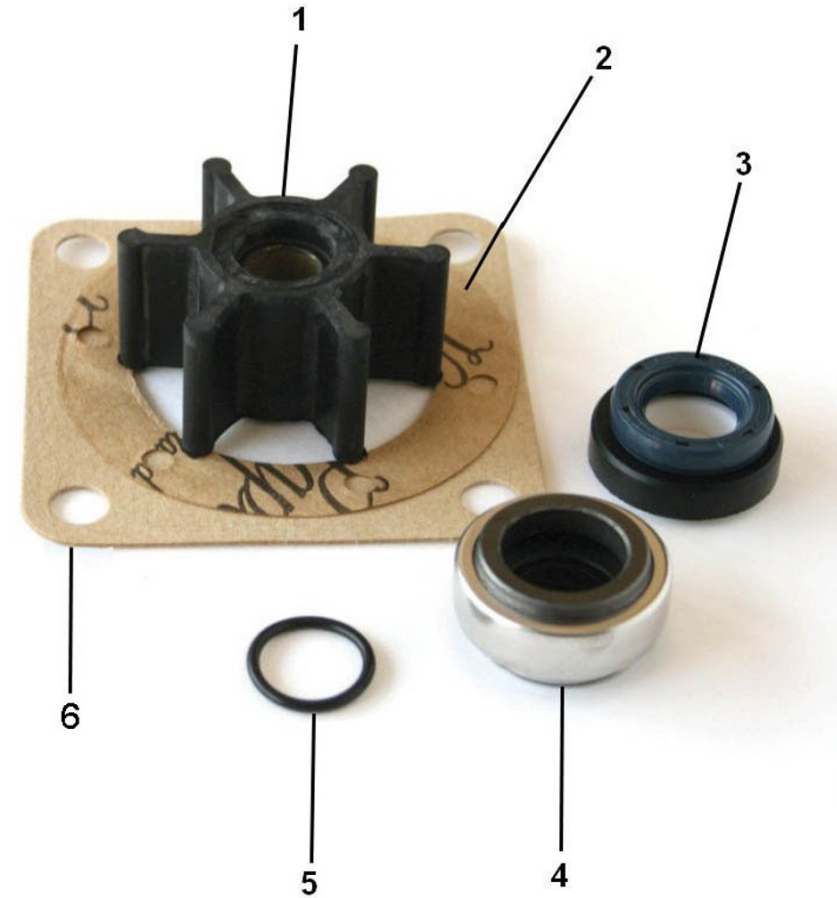
D\_17511100GDNV Pipe Rubber Set SM-105 Genset TAC

Fig.	Ref.	Qty.	Descr.	Obs	From	UpTo
1	13611038	3	Pipe 30-40-75			
2	17411013	1	Thermostat Water Outlet Elbow			
3	15211053	2	Pipe 38-50-100			
4	17411035	1	Elbow Rubber			
5	17421025	1	Hose,BY-PASS			



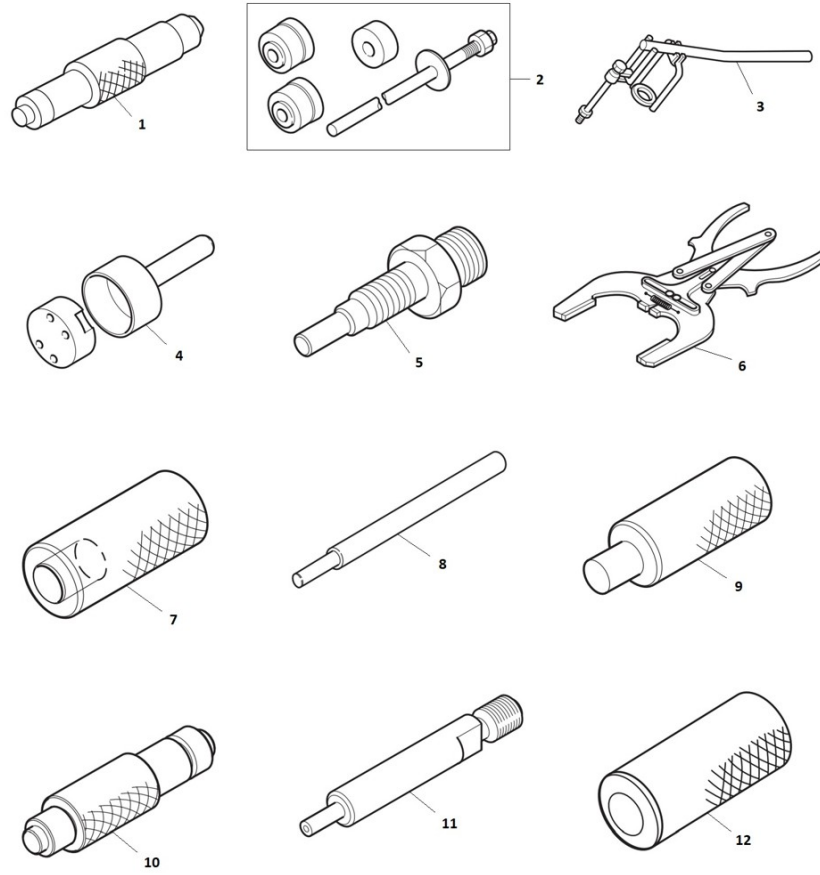
36511000K Repair Kit Water Pump 1"

Fig.	Ref.	Qty.	Descr.	Obs	From	UpTo
1	34711008	1	1" Impeller			
2	34711003	1	Gasket Cover			
3	36511020	1	Seal 16-30-7			
4	36511019	1	Seal			
5	33311013	1	O-Ring D. 15X2			
6	13310013	1	Gasket,water pump			



D\_UTILFA0936\_1 Special Tools

Fig.	Ref.	Qty.	Descr.	Obs	From	UpTo
1	U3009107300	1	Idler Bushing Installer			
2	U3069100010	1	Camshaft Bushing Installer Set			
3	U3069104500	1	Valve Spring Pusher			
4	U3069113010	1	Oil seal sleeve installer set			
5	U3069121100	1	Gauge Adapter			
6	UMM74007	1	Piston Ring Pliers			
7	U32A9100100	1	Valve Guide Installer			
8	U32A9100300	1	Valve Guide Remover			
9	U32A9100400	1	Oil Pump Bushing Installer			
10	U32A9100500	1	Connecting rod bushing puller			
11	U32A9101100	1	Gauge adapter (direct injection)			
12	U32A9110200	1	Stem Seal Installer			



D\_UTILFA0936\_2 Special Tools

Fig.	Ref.	Qty.	Descr.	Obs	From	UpTo
13	19440400.2	1	Compression Manometer 10-60 Bar			
14	U3449100200	1	Piston Installer			
15	U3449103020	1	Valve Sheet Insert Caulking Tool			
16	U3679100200	1	Valve Sheet Insert Caulking Tool			
17	UMH061077	1	Idler Shaft Puller			

