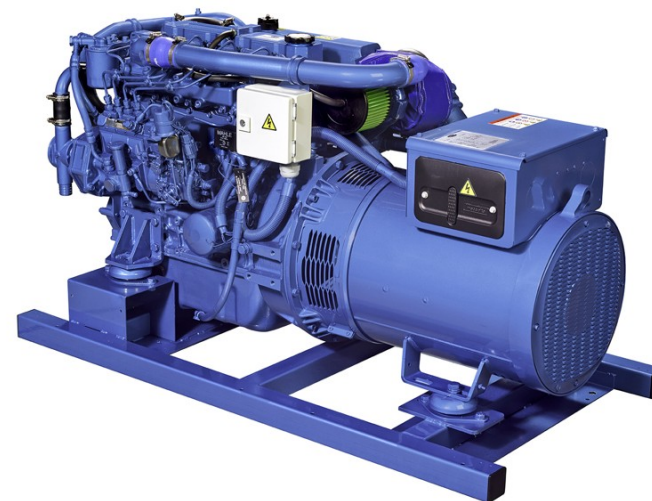




Genset 45 GT/GTC & 54 GTA/GTAC

VERSION 2024-5

PART LIST



PARTS LIST CATALOGUE

NORMS TO PLACE AN ORDER

For fast and more efficient service, please specify the following information on spare parts orders that must be preferably done by e-mail as specified below:

- 1- Engine model: As shown in identification plate
- 2- Engine serial number: As shown in identification plate and stamped on crankcase
- 3- Item description + part number + quantity required

Spare parts requests must be addressed to :

orders@solediesel.com

Telf.: +34 93 775 44 05

The components shown in the catalog have:

- Figure: Number by which they are represented in scheme
- Description: Trade name of the component
- Quantity: Total number of parts used in the assembly of the part represented (may differ from the total minimum quantities)

Hoses, indicates the total length in meters

The diagrams shown in this catalog of spare parts, have only the purpose to identify the piece in question, its representation is not meaningful and may differ from the actual piece.

In case of doubt, contact Solé Diesel, or your authorized dealer.

The parts i / or references in this catalog are subject to change without notice.

SOLE, S.A.

C-243b, km, 2

08760 Martorell (Barcelona) Spain

Index

Engine Body

- Head, Cylinder
- Rocker Cover & Breather
- Valve Drive
- Timing Parts
- Gear Case
- Crankcase
- Flywheel Housing
- Piston & Connecting Rod
- Crankshaft & Flywheel
- Oil System
- Oil Pan
- Engine Brackets

Inlet & Exhaust

- Inlet
- Turbocharger

Cooling System

- Water Pump
- Cooler Pipes
- Water Cooler Assy SM-56
- Wet Exhaust
- Cross Brace Pump from 74 to 616

Fuel System

- Fuel Line
- Injection Nozzle
- Governor
- Fuel Filter

Electrical System

- 12V Electrical Wiring
- Alt. Kit 12V/50A
- Starter 12V
- Conversion Kit to 24V (ONLY Engine Items)
- Parallel Electrical System 12V
- Parallel Electrical System 24V
- Panels for Genset
- Spare Parts List for Generator Panel
- Electrical Box for Parallel
- Genset Extension
- Parallel Genset Extension

Genset Alternator Spare Parts

- Alternator 45 GT/GTC and 54 GTA/GTAC
- Alternator Spare Parts TYPE C From 30/12/2021
- Spare Part List Alternator Type B Upto 29/12/2021

- Alternator Kit Without Canopy
- Alternator Kit With Cabin

Chassis Spare Parts

- Chassis

Canopy Spare Parts

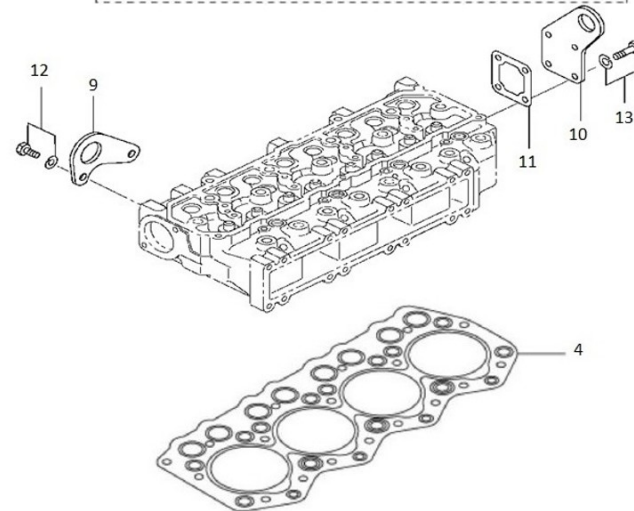
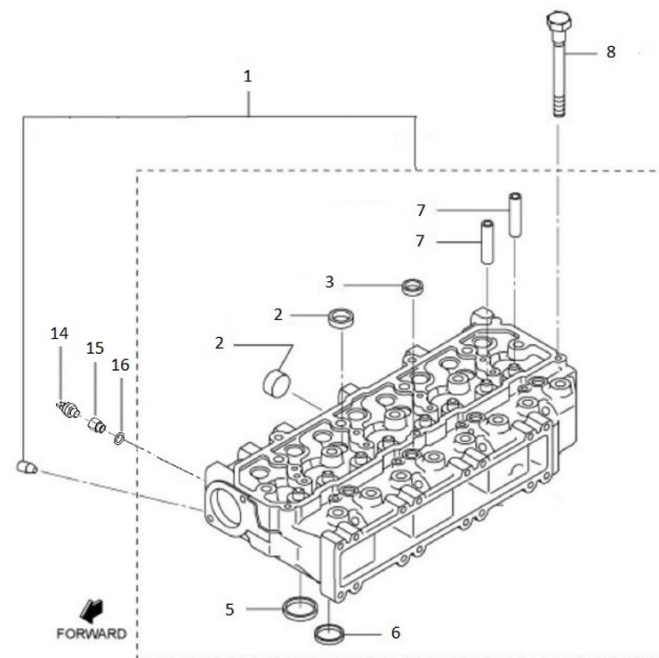
- Cabin
- Cabin Kit

Maintenance Kit

- Gasket Kit
- Pipe Rubber Set, Water Line SM-56 Genset
- Repair Kit Water Pump 1"
- Special Tools
- Special Tools

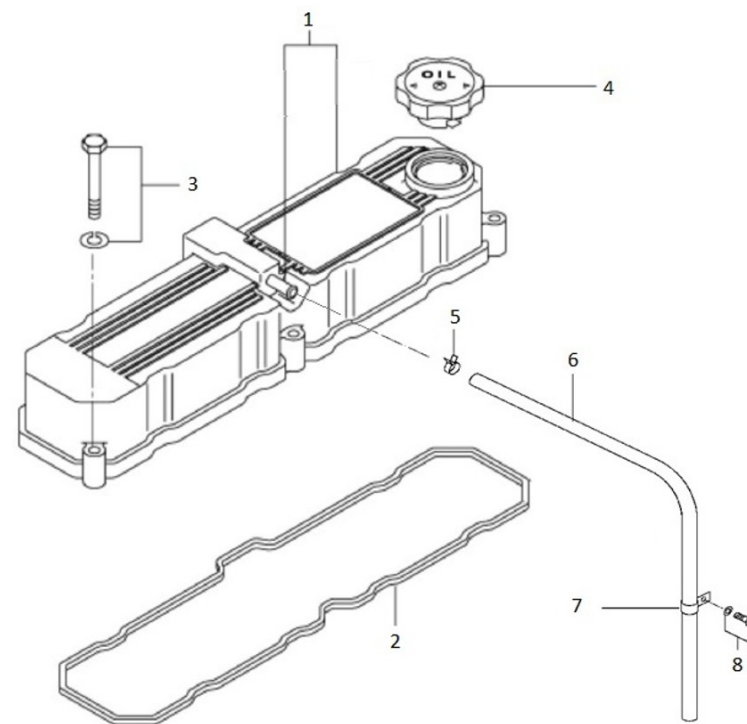
D_GU01_1_1 Head, Cylinder

Fig.	Ref.	Qty.	Descr.	Obs	From	UpTo
1	17B21005	1	Head Assy, Cyl			
2	13121003	7	Cap Sealing			
3	17220006	12	Cap, Sealing			
4	17421004	1	Gasket,Cylinder Head			
5	17421061	4	Seat,Valve,IN			
6	17421062	4	Seat,Valve,Exhaust			
7	17421002	8	Guide,Valve			
8	17421005	17	Bolt,cylinder head			
9	17420014	1	Eye,Lifting,Front			
10	17421018	1	Eye,Lifting;Head Rea			
11	17421011	1	Gasket			
12	17821012	2	Bolt,W/Washer			
13	17421012G.1	4	Bolt W/Washer (Generator)			
14	60900972	1	High Coolant, 2 Poles 96°			
15	60900999.1	1	Connection M14X1,5 5/8" EXA.19 L=25			
16	56000073	1	Copper Washer 16-23-1,5			

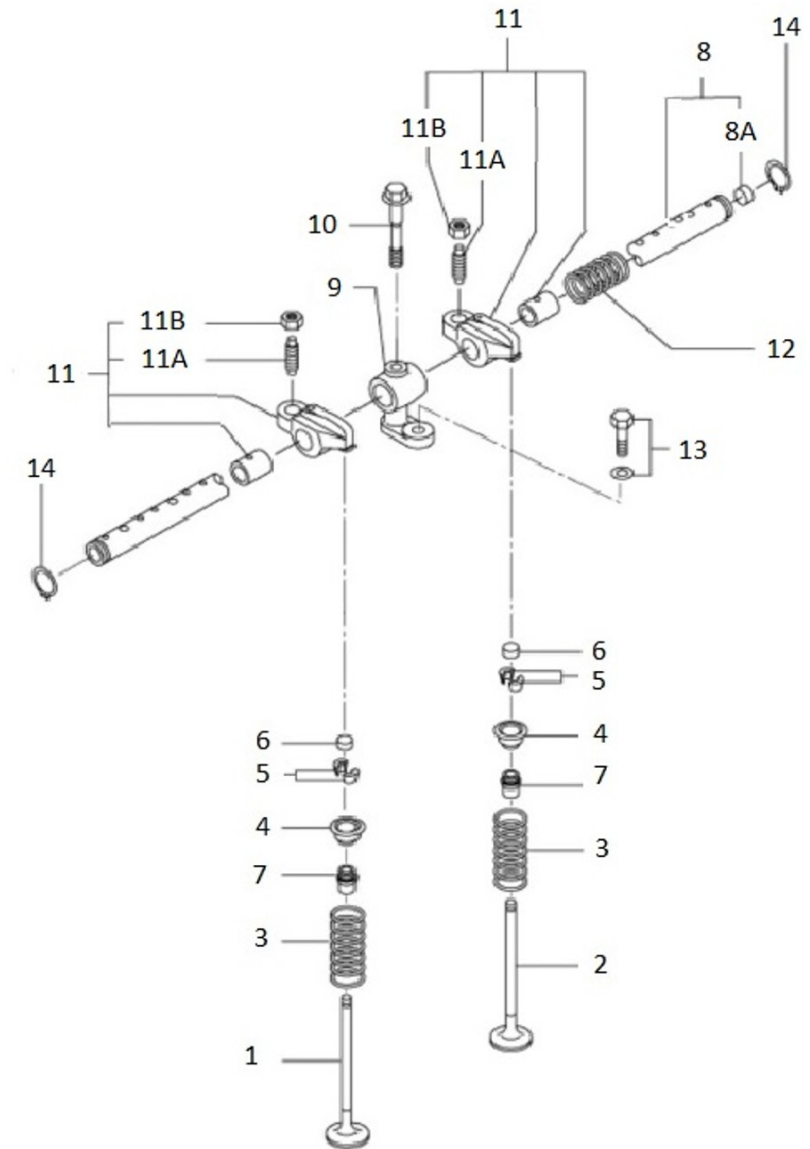


D_GU01_1_2 Rocker Cover & Breather

Fig.	Ref.	Qty.	Descr.	Obs	From	UpTo
1	17B21006	1	Cover Assy,Rocker			
2	17421010	1	Rocker Cover Gasket			
3	17421014G.1	5	Bolt W/Washer (Generator)			
4	17221003G	1	Cap Oil Filler			
4	17B21007	1	Cap,Oil Filler			
5	17B21008	1	Clip,Hose			
6	17B21009	1	Hose,Breather			
7	17B21010	1	Clip			
8	17524025G	1	Bolt			

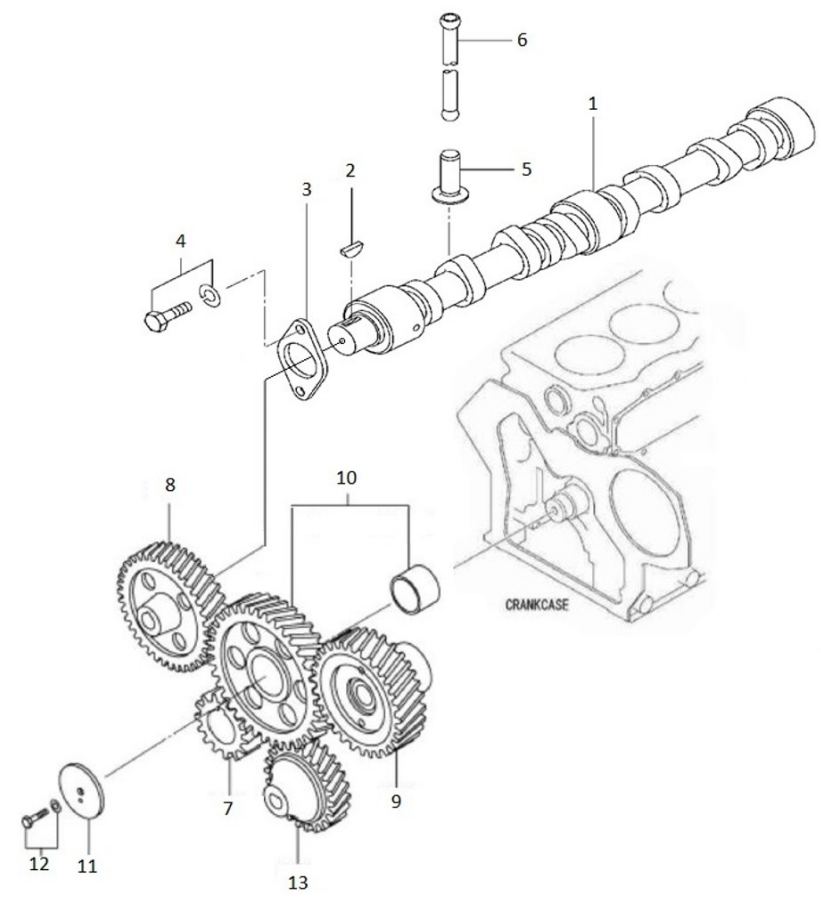


D_GU01_1_3					
Valve Drive					
Fig.	Ref.	Qty.	Descr.	Obs	From UpTo
1	17422055.1	4	Valve,Inlet		
2	17422056	4	Exhaust Valve		
3	13322028	8	Spring, valve outler		
4	17422058	8	Retainer,Upper		
5	17122059	16	Cotter,Valve		
6	13322024	8	Cap		
7	17422057	8	Seal, Valve Stem		
8	17422046	1	Shaft Assy,Rocker		
8A	13322023	2	Cap, Sealing		
9	17422048.1	4	Bracket,Rocker Shaft		
10	17422053	4	Bolt,Rocker Bracket		
11	17422142.2	8	Rocker Assy		
11A	17122044	8	Screw Adjusting		
12	17422047G.1	3	Spring,Rocker		
13	17A22116	4	Bolt		
14	17B21020	2	Ring Snap (19)		

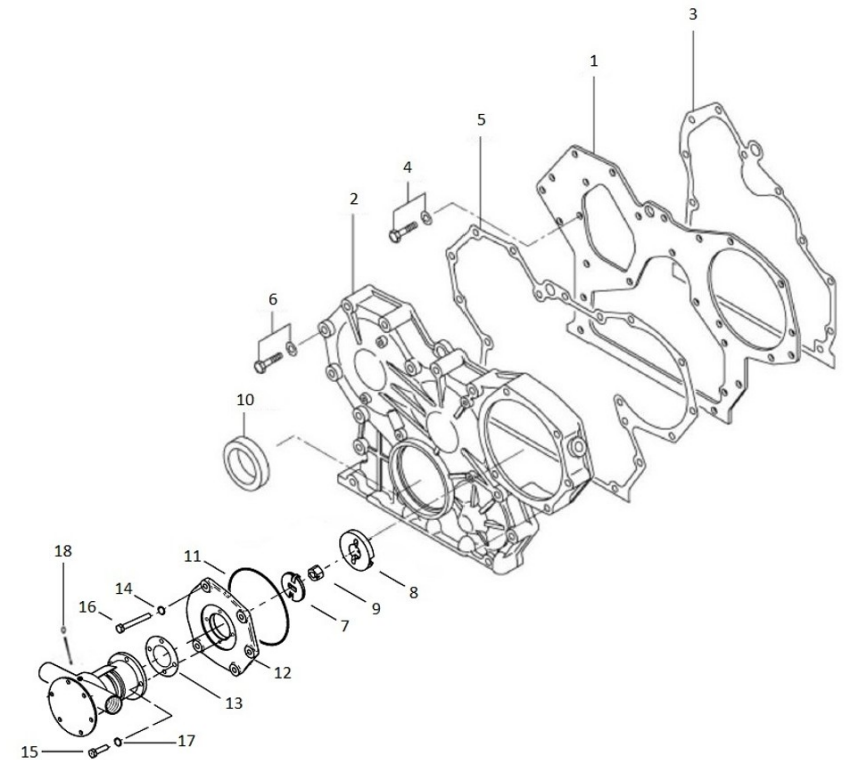


D_GU01_1_4 Timing Parts

Fig.	Ref.	Qty.	Descr.	Obs	From	UpTo
1	17B21021	1	Camshaft			
2	13322034	1	Key Woodruff			
3	17B21022	1	Plate,Thrust			
4	17422037G.1	2	Bolt W/Washer (Generator)			
5	17122061	8	Tappet			
6	17122041	8	Rod, push			
7	17822019	1	Gear, CrankShaft			
8	17422037	1	Gear,CamShaft Z=46			
9	17B21025	1	Gear,Inj.Pump			
10	17A22038	1	Gear, Assy idler			
11	17122032	1	Plate, thrust			
12	17720010	1	Bolt,W/Washer			
13	17422066	1	Gear,Oil Pump Z=31			

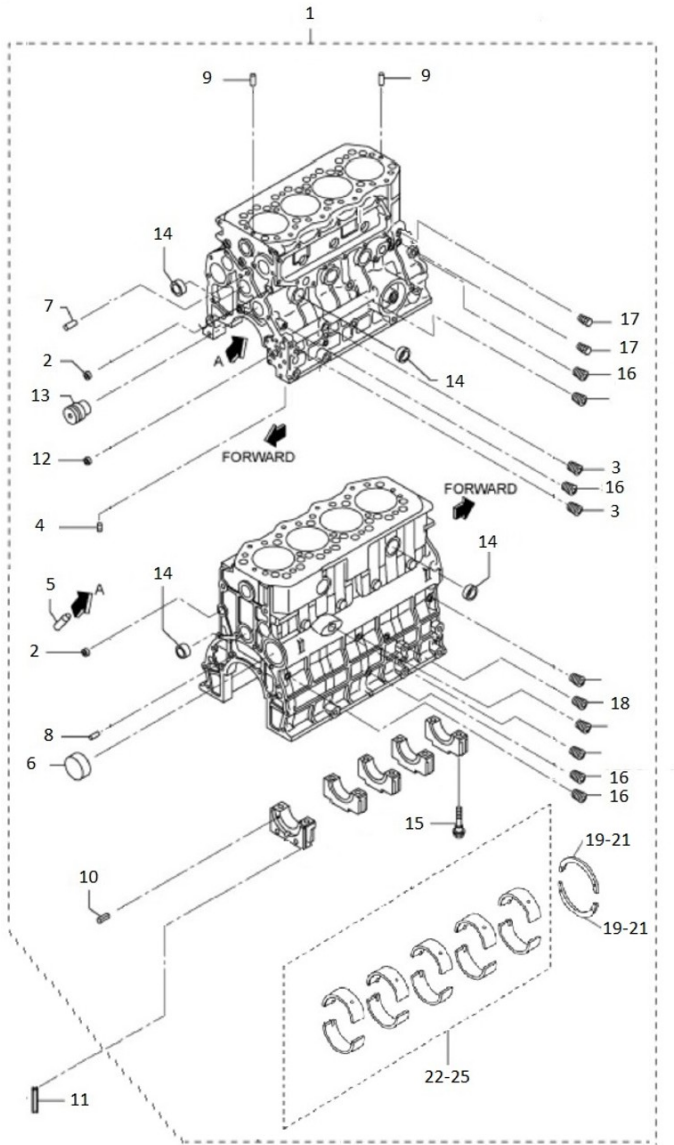


D_GU01_1_5		Gear Case				
Fig.	Ref.	Qty.	Descr.	Obs	From	UpTo
1	17420024G.1	1	Plate,Front (Generator)			
2	17420035G	1	Case,TIMING Gear			
3	17420018	1	Gasket,Front Plate			
4	17422037G.1	5	Bolt W/Washer (Generator)			
5	17420040	1	Gasket,Gear			
6	17520047	13	Bolt,W/Washer			
7	15310072	1	CrossHead Jaw Coupling			
8	17A11026	1	Coupling Drive			
9	17422071	1	Nut,INJ.Pump			
10	17420039.1	1	Seal Assy,Oil			
11	17420047	1	O-Ring D. 140X2			
12	17410010	1	Block Water Pump			
13	13310013	1	Gasket,water pump			
14	53038008	5	Washer DIN 6798-A 8			
15	52103156	4	Bolt DIN 912 M6-16 8.8			
16	52101266	5	Bolt DIN 931 M8-65 8.8			
17	51030006	4	Washer DIN 125-6			
18	33311013	1	O-Ring D. 15X2			
NS	34711003	1	Gasket Cover			



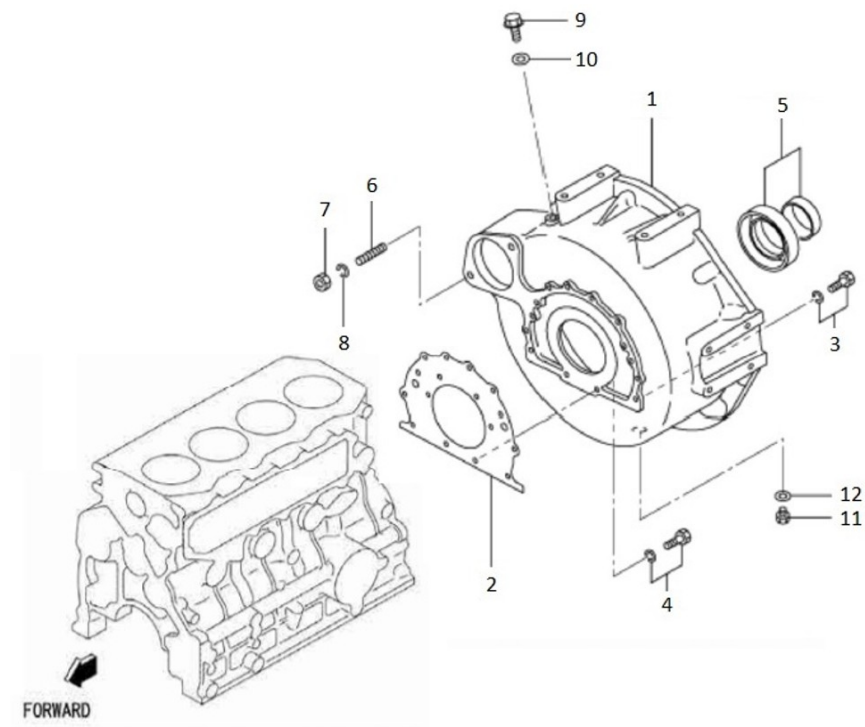
D_GU01_1_6 Crankcase

Fig.	Ref.	Qty.	Descr.	Obs	From	UpTo
1	17B21035	1	Crankcase Assy			
2	13320007	4	Cap, Sealing			
3	17420027G.1	2	Plug,TAPPERED (Generator)			
4	17421046G.3	3	Plug			
5	17A20003	4	Valve, Check STD			
6	17420013G.3	1	Plug			
7	17420036	2	Pin,Dowel			
8	13320025	2	Pin			
9	17120019	2	Pin, dowel			
10	17420012	6	Pin,Spring			
11	17420112	2	Seal,Valve			
12	17420011G.3	1	Bushing			
13	17420034	1	Shaft,IDLER			
14	13320006	10	Cap, Sealing			
15	17420009	10	Bolt Bearing Cap			
16	17820011	4	Plug, Tapered			
17	17120022	2	Plug, tapered			
18	17120021	1	Plug,taper			
19	17420109	3	Plate,THRUST.C/S STD			
20	17420110	3	Plate,THRUST.C/S +0,15			
21	17420111	3	Plate,THRUST.C/S +0,30			
22	17420003	1	METAL,MAIN Set STD			
23	17420004	1	METAL,MAIN Set -0,25			
24	17420005	1	METAL,MAIN Set -0,50			
25	17420006	1	METAL,MAIN Set -0,75			



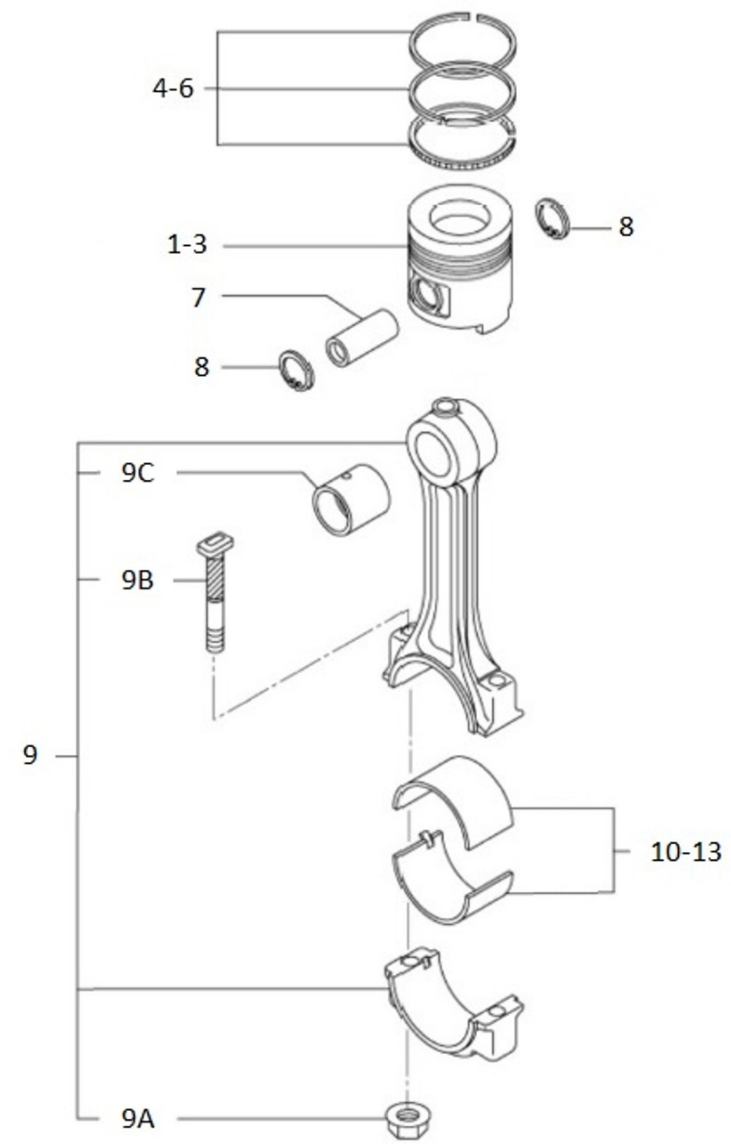
D_GU01_1_7 Flywheel Housing

Fig.	Ref.	Qty.	Descr.	Obs	From	UpTo
1	17420002G.3	1	Flyweel Housing			
2	17420025	1	Gasket,Rear			
3	17327129.2	10	Bolt			
4	17420028G.1	2	Bolt,W/Washer (Generator)			
5	13320063	1	Seal Oil			
6	13320067	2	Stud			
7	17827003	2	Nut			
8	MHF251510000	2	WASHER, SPRING			
9	17121016	1	Plug, drain			
10	17121013	1	Gasket			
11	13224045	1	Plug			
12	13120032	1	Gasket			



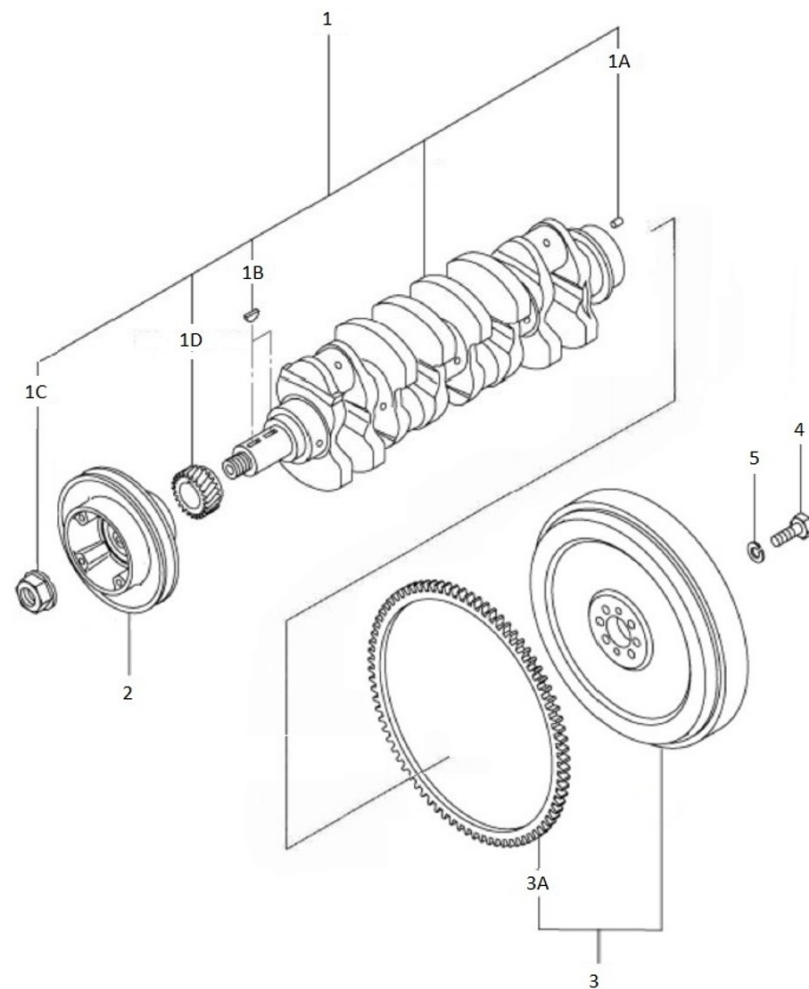
D_GU01_1_8 Piston & Connecting Rod

Fig.	Ref.	Qty.	Descr.	Obs	From	UpTo
1	17A22001	4	Piston STD			
2	17A22002	4	Piston +0,25			
3	17A22003	4	Piston +0,50			
4	17422006	4	Ring Set,Piston STD.			
5	17422007	4	Ring,Piston O.S 0,25			
6	17422008	4	Ring,Piston O.S 0,50			
7	17422009	4	Pin,Piston			
8	17422010	8	Ring,Snap			
9	17822012	4	Rod Assy. Connecting			
9B	17122013	8	Bolt,connecting rod			
9C	17422033	4	Bushing,Con-Rod			
10	17422014	1	Bearing Set,Con-Rod,STD.			
11	17422015	1	Bearing Set,Con-Rod,U.S -0,25			
12	17822016	1	Bearing Set, Con-Rod, U.S 0,50			
13	17822017	1	Bearing Set, Con-Rod, U.S 0,75			



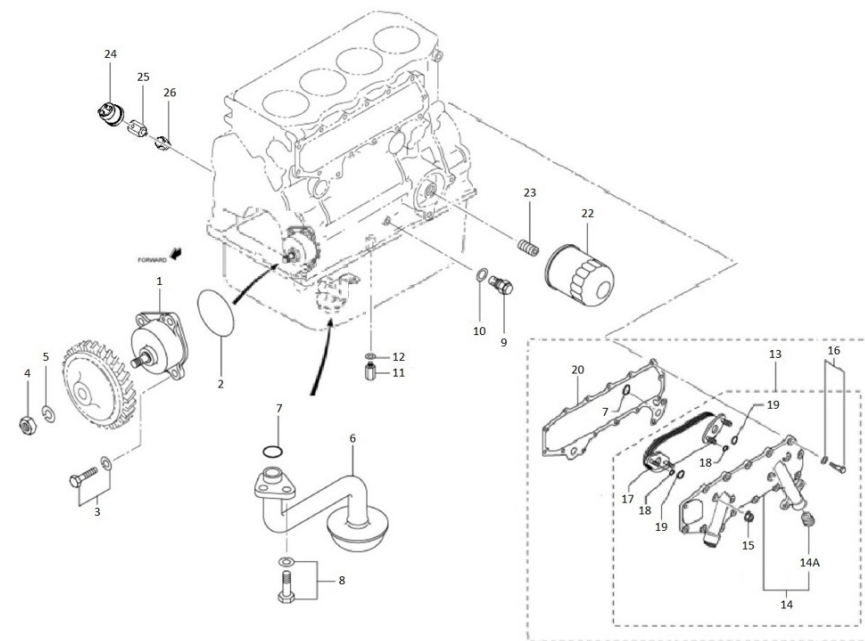
D_GU01_1_9 Crankshaft & Flywheel

Fig.	Ref.	Qty.	Descr.	Obs	From	UpTo
1	17B21051	1	Crankshaft Assy			
1A	13322059	2	Pin			
1B	13322034	2	Key Woodruff			
1C	17422026	1	Nut,CrankShaft			
1D	17822019	1	Gear, CrankShaft			
2	17422024	1	Pulley CrankShaft			
3	17422027	1	Flywheel Assy			
3A	17422029	1	Gear,Ring Z=122			
4	13322065	4	Bolt			
5	MHF251512000	4	WASHER,SPRING			



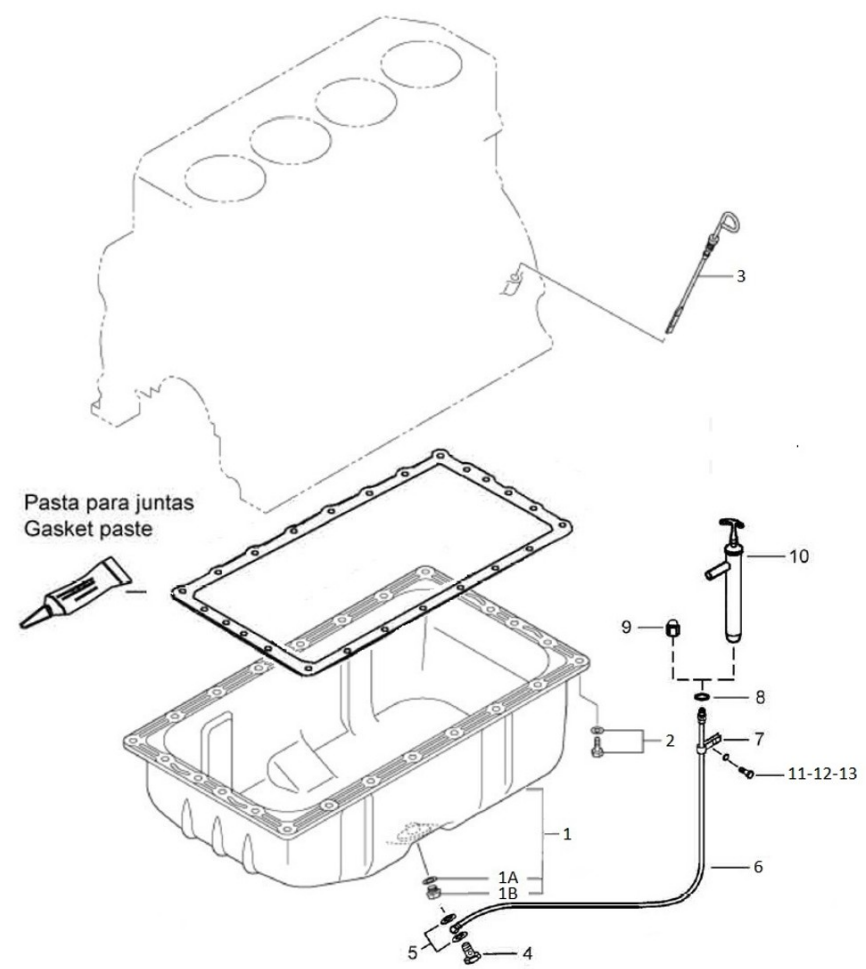
D_GU01_1_10 Oil System

Fig.	Ref.	Qty.	Descr.	Obs	From	UpTo
1	17424040	1	Pump Assy,Oil			
2	17424055.1	1	O-Ring			
3	17421012G.1	4	Bolt W/Washer (Generator)			
4	13122045	1	Nut			
5	MHF251510000	1	WASHER, SPRING			
6	17424052	1	STrainer,Oil			
7	17424060	3	O-Ring D. 22X2,4			
8	17422037G.1	2	Bolt W/Washer (Generator)			
9	17124071	1	Valve, Assy			
10	17424063	1	Gasket			
11	17824071	1	Valve, Assy			
12	17420017	1	Gasket			
13	17B21053	1	Cooler Assy,Oil			
14	17B21054	1	Case Assy,Oil Cooler			
15	17125008.1	4	Nut,Flange			
16	17822116	16	Bolt, Flange			
17	17822114	1	Element, Oil Cooler			
18	17822115.1	4	O-Ring			
19	17520017	2	O-Ring D. 30X3,4			
20	17822112	1	Gasket, Side Cover			
22	17424051G.1	1	CARTRIDGE, Oil (Generator)			
23	17424054	1	Union,Oil Filter			
24	60900987	1	Sender, Oil Press.			
25	13417051	1	Bell Housing		03/10/2019	
25	17117052	1	Oil Pressure Sensor Adaptor			02/10/2019
26	60900978	1	Switch, Oil Press 0.4 Bar M10x1			

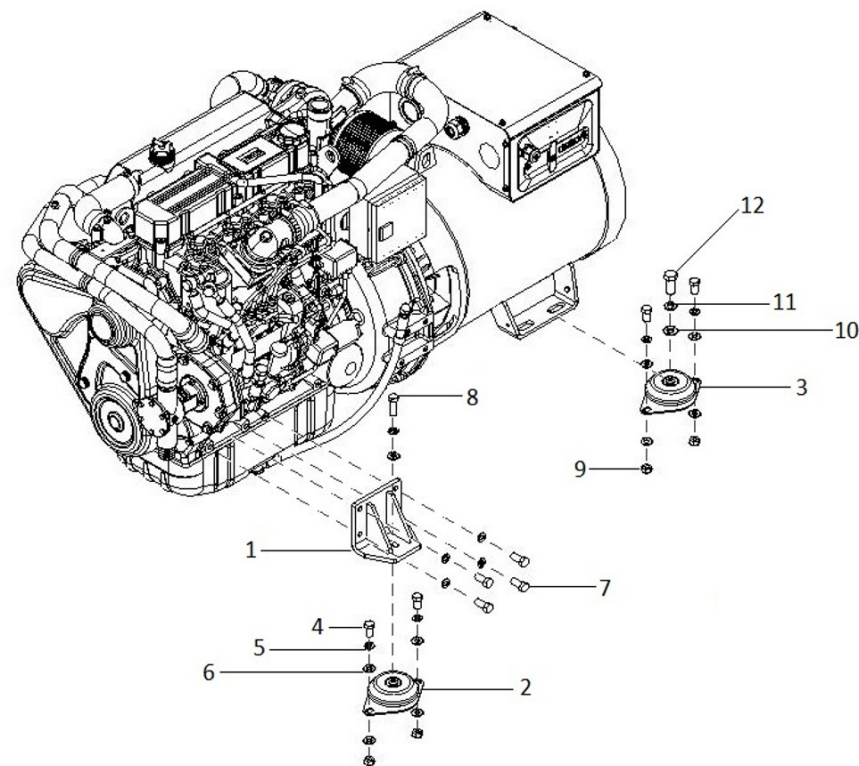


D_GU01_1_11 Oil Pan

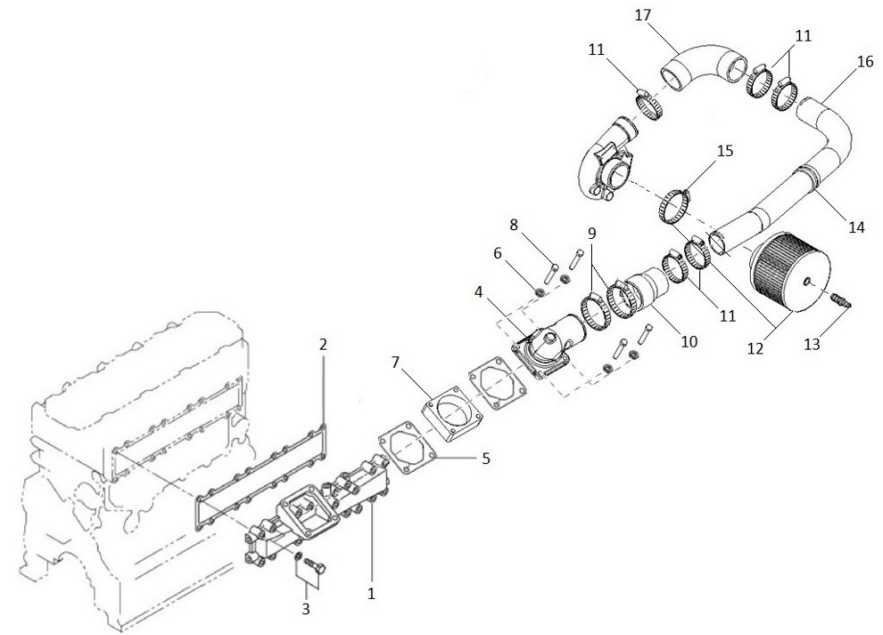
Fig.	Ref.	Qty.	Descr.	Obs	From	UpTo
1	17420030	1	Oil PAN Assy			
1A	17220031	1	Plug			
1B	17420031	1	Gasket,Oil DRAIN			
2	17821012	24	Bolt,W/Washer			
3	17420029	1	Gauge Oil LEVEL			
4	12814051	1	Screw,eye			
5	56000069	2	Washer 14-20-1,5			
6	17114021	1	Extraction Hose			
7	17214022	1	Bracket, Pipe			
8	56000217	1	Washer 13-20-3			
9	16514020	1	Plug			
10	14714001	1	Oil Extraction Pump			
11	52102360	1	Bolt DIN 933 M12-35 8.8			
12	53033012	1	Washer Grower DIN 127-12			
13	51030012	1	Washer DIN 125-12			



D_GU01_1_12		Engine Brackets				
Fig.	Ref.	Qty.	Descr.	Obs	From	UpTo
1	17410001G	2	Support ANTERIUER			
2	61674002	2	Engine Mount Type F 35 SHA M12 H 41			
2	61674005	2	Engine Mount Type F BRB 110 B50 SHA M12 H 41		14/04/2023	
3	61674001	2	Engine Mount Type F 40 SHA M16 H 41			
3	61674004	2	Engine Mount Type F BRB 110 B50 SHA M16 H 41		14/04/2023	
4	52102358	8	Bolt DIN 933 M12-25 8.8			
5	53033012	18	Washer Grower DIN 127-12			
6	51030012	18	Washer DIN 125-12			
7	52102359	8	Bolt DIN 933 M12-30 8.8			
8	52102361	2	Bolt DIN 933 M12-40 8.8			
9	52120012	8	Nut DIN 934 M12 8.8			
10	51030016	2	Washer DIN 125-16			
11	53033016C	2	Washer			
12	52102461	2	Bolt DIN 933 M16-40 8.8			

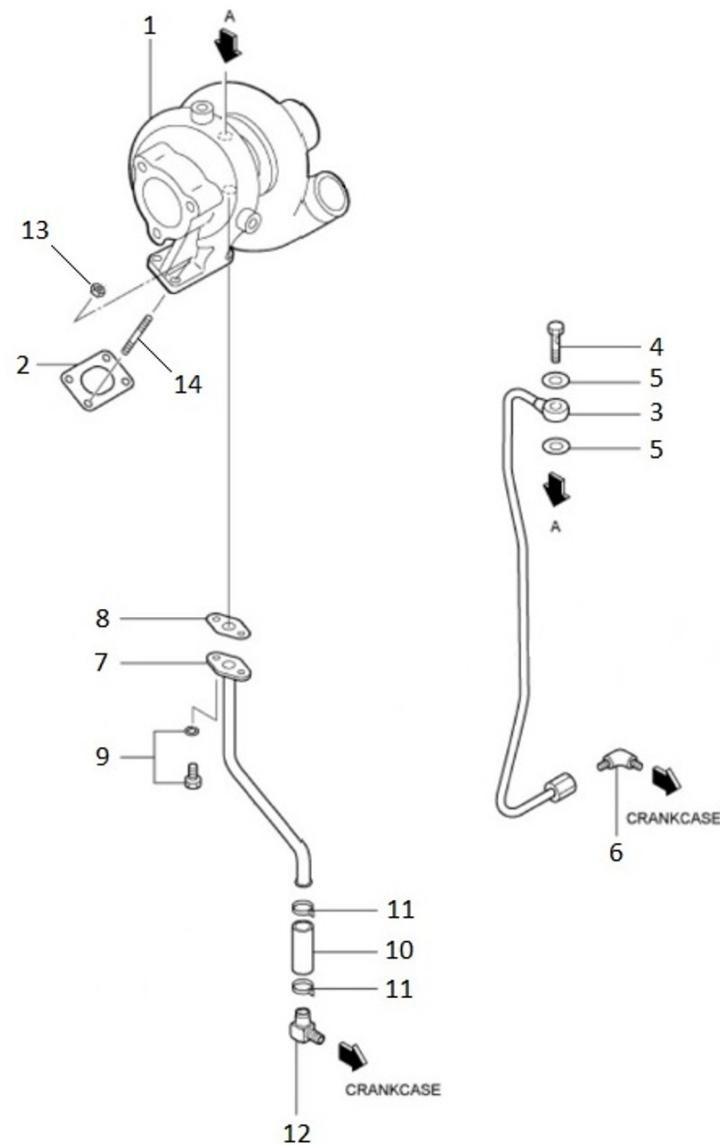


D_GU01_2_1		Inlet			
Fig.	Ref.	Qty.	Descr.	Obs	From UpTo
1	17B21066	1	Manifold,Inlet		
2	17421032	1	Gasket IN.MANIFOLD		
3	17421014G.1	16	Bolt W/Washer (Generator)		
4	17B21067	1	Elbow,Air Inlet		
5	17421042	2	Gasket		
6	53038008	4	Washer DIN 6798-A 8		
7	17510015	1	Elbow Spacer		
8	52101264	4	Bolt DIN 931 M8-55 8.8		
9	54082050	2	Clamp DIN 3017 50-70/12 W4		
10	17A10031	1	Silicone Hose Reducer D60-D50		
11	54082040	5	Clamp DIN 3017 40-60/12 W4		
12	17B10012	1	Air Filter		
13	17B10011	1	Reducer Fitting 12-16 mm		
14	59071504	1	Clamp		
15	54082060	1	Clamp DIN 3017 60-80/12 W4		
16	17B10017	1	Air Inlet Pipe D50		
17	17B10030	1	Silicone Hose Straight Elbow		
NS	17818010	1	Termic, Bucklers		



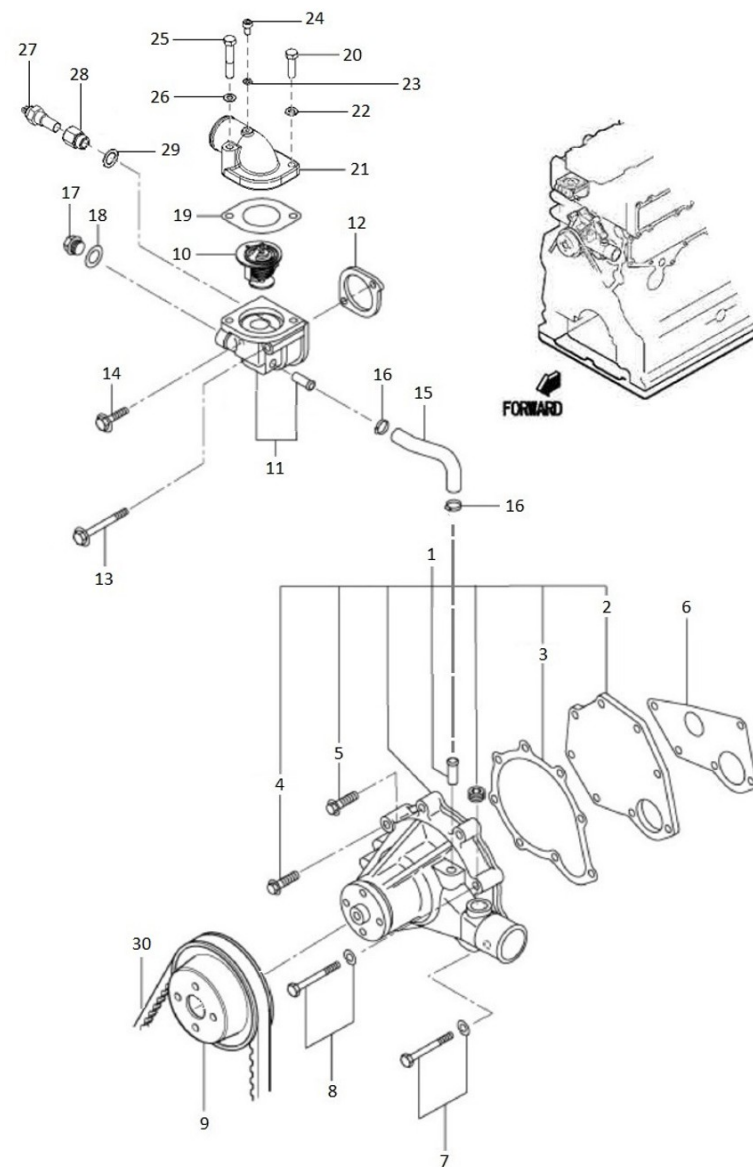
D_GU01_2_2 Turbocharger

Fig.	Ref.	Qty.	Descr.	Obs	From	UpTo
1	17B21069	1	TD04HL Turbocharger			
2	17420049	1	Gasket			
3	17712006	1	Pipe			
4	17828006	1	Bolt, Eye			
5	17124056	2	Gasket			
6	17712007	1	Elbow 1/8" GAS			
7	17812005	1	Pipe			
8	17524091	1	Gasket,Oil Pipe			
9	17B21075	2	Bolt Washer A(6X16)			
10	17728007	1	Hose,Oil			
11	17B21077	2	Clamp,Hose			
12	17728008	1	Elbow			
13	51125008	2	Nut Exhaust			
14	19613016	1	Turbo Stud M8-M10			
NS	17B28012	1	Turbocharger Repair, Kit			



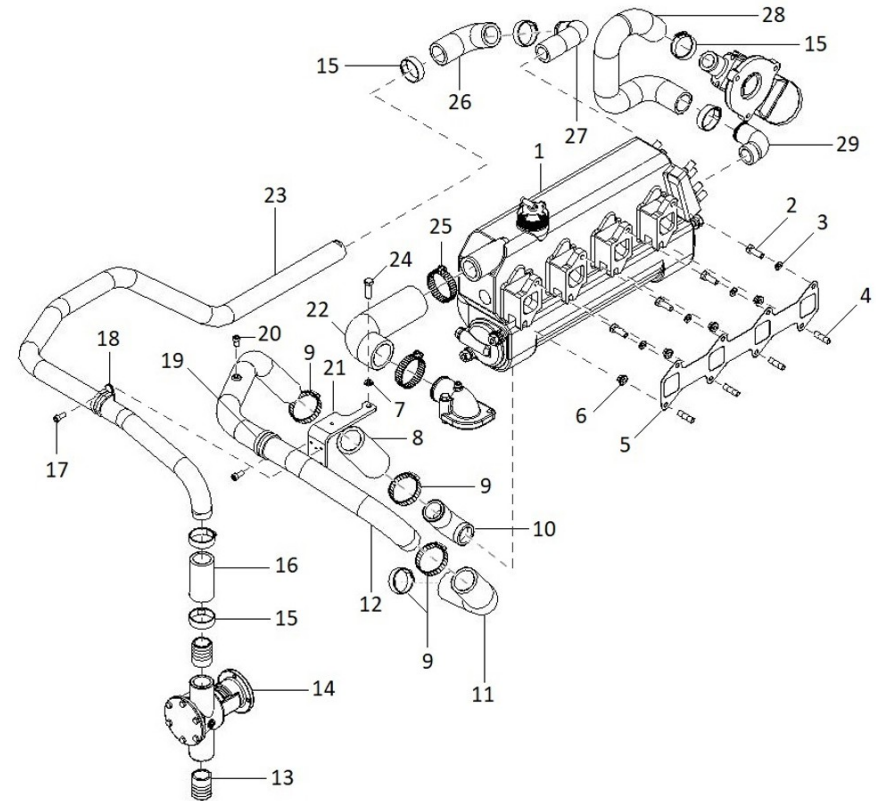
D_GU01_3_1 Water Pump

Fig.	Ref.	Qty.	Descr.	Obs	From	UpTo
1	17421020G.1	1	Fresh Water Pump (tube Ø18)			
2	17421043	1	Cover,Water Pump			
3	17421022G.1	1	Gasket, Pump Cover (Generator)			
4	17421026G	1	Bolt,Flange			
5	17821026	2	Bolt, Flange			
6	17421041	1	Gasket,Side Cover			
7	17421039G.1	4	Bolt,W/Washer (Generator)			
8	17420062G.1	1	Bolt,W/Washer (Generator)			
9	17121021	1	Pulley,Water Pump			
10	17121027R	1	Thermostat			
11	17421037G.1	1	Case Assy (Generator)			
12	17421016G.1	1	Gasket(Generator)			
13	17821038	1	Bolt, Flange			
14	17821039	1	Bolt, Flange			
15	17421025G.1	1	Hose,BY-PASS (Generator)			
16	54081020	2	Clamp DIN 3017 20-32/9 W4			
17	17121016	2	Plug, drain			
18	17121013	2	Gasket			
19	17111021	1	Gasket			
20	52102259	1	Bolt DIN 933 M8-30 8.8			
21	17111020	1	Fitting,water outlet			
22	53033008	1	Washer GROWER DIN 127-8			
23	56000053	1	Washer 6-10-1,5			
24	13811035	1	Bolt,bleed			
25	52101263	1	Bolt DIN 931 M8-50 8.8			
26	53038008	1	Washer DIN 6798-A 8			
27	60900982	1	Temperature Sender Bipolar			
28	60900999.1	1	Connection M14X1,5 5/8" EXA.19 L=25			
29	56000073	1	Copper Washer 16-23-1,5			
30	17521028	1	Belt Type AX 45 1175			



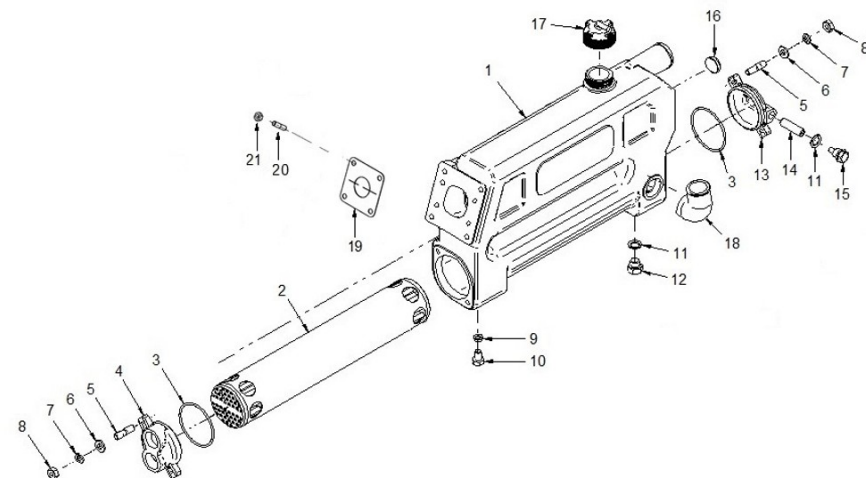
D_GU01_3_2 Cooler Pipes

Fig.	Ref.	Qty.	Descr.	Obs	From	UpTo
1	17B11000REC	1	WATER COOLER ASSY SM-56(R)			
2	52102258	4	Bolt DIN 933 M8-25 8.8			
3	53038008	4	Washer DIN 6798-A 8			
4	14711008	4	Stud,cover			
5	17421035	1	Gasket,Exhaust Manifold			
6	51125008	4	Nut Exhaust			
7	53033008	1	Washer GROWER DIN 127-8			
8	15211053	1	Pipe 38-50-100			
9	54082032	4	Clamp DIN 3017 32-50/12 W4			
10	17111011	1	Elbow 1 1/8"			
11	19411015	1	Elbow			
12	17411024	1	Pipe,from cooler to engine D38 e2			
13	60180007	2	Outlet Coupling			
14	36511000	1	Cross Brace Pump from 74 to 616			
15	54082025	6	Clamp DIN 3017 25-40/12 W4			
16	13611038	1	Pipe 30-40-75			
17	52103156	2	Bolt DIN 912 M6-16 8.8			
18	59071324	1	Clamp RSGU 1 32/15 W1			
19	59071383	1	Clamp TYP.1 38/15 W1			
20	13811035	1	Bolt,bleed			
21	17A11014	1	Bracket			
22	17411013	1	Thermostat Water Outlet Elbow			
23	17B11011	1	Brass Pipe D32			
24	52102259	1	Bolt DIN 933 M8-30 8.8			
25	54082040	2	Clamp DIN 3017 40-60/12 W4			
26	17411035	1	Elbow Rubber			
27	14711030	1	Brass Elbow Connector			
28	17811034	1	Rubber Wet Exhaust Inlet Bend			
29	14711021	1	Elbow N°1			



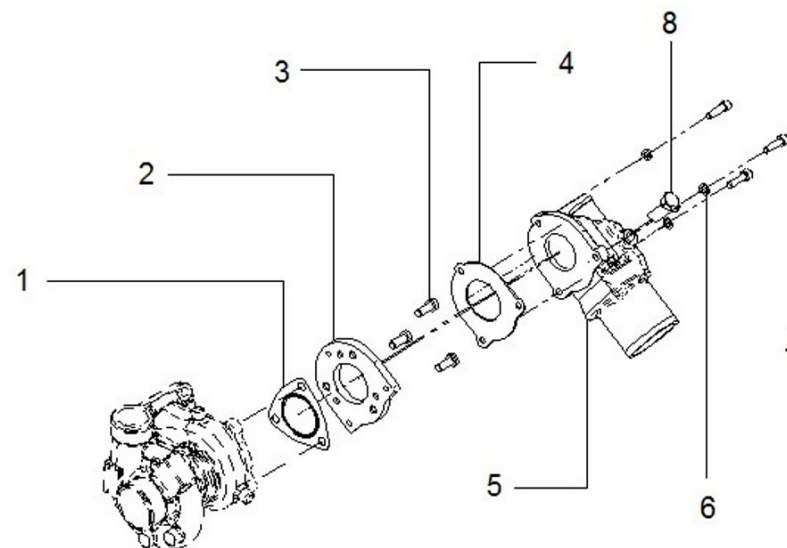
D_17B11000REC Water Cooler Assy SM-56

Fig.	Ref.	Qty.	Descr.	Obs	From	UpTo
1	17811001	1	Body, Warter Cooler			
2	18011004	1	Tubular Bundle			
3	18011008	2	O-Ring D. 72X3			
4	17411003	1	Water Cooler Cover			
5	16511007	4	Stud			
6	51030010	4	Washer DIN 125-10			
7	53033010	8	Washer GROWER DIN 127-10			
8	52120010	4	Nut DIN 934 M10 8.8			
9	56000205	1	Washer 10-16-3			
10	54102306	1	Bolt DIN 933 M10-16 INOX.			
11	56000073	2	Copper Washer 16-23-1,5			
12	12111076	1	Plug			
13	18011002	1	Water Cooler Cover			
14	18011031	1	Engine Anode 45 mm M.8			
15	18011009	1	Anode Plug			
16	12113092	1	Plug			
17	13811010	1	Cap			
18	17111011	1	Elbow 1 1/8"			
19	17420049	1	Gasket			
20	19613016	4	Turbo Stud M8-M10			
21	51125008	4	Nut Exhaust			
NS	M00000112	1	SOLEDIESEL Refrigerator Sticker 150x62			



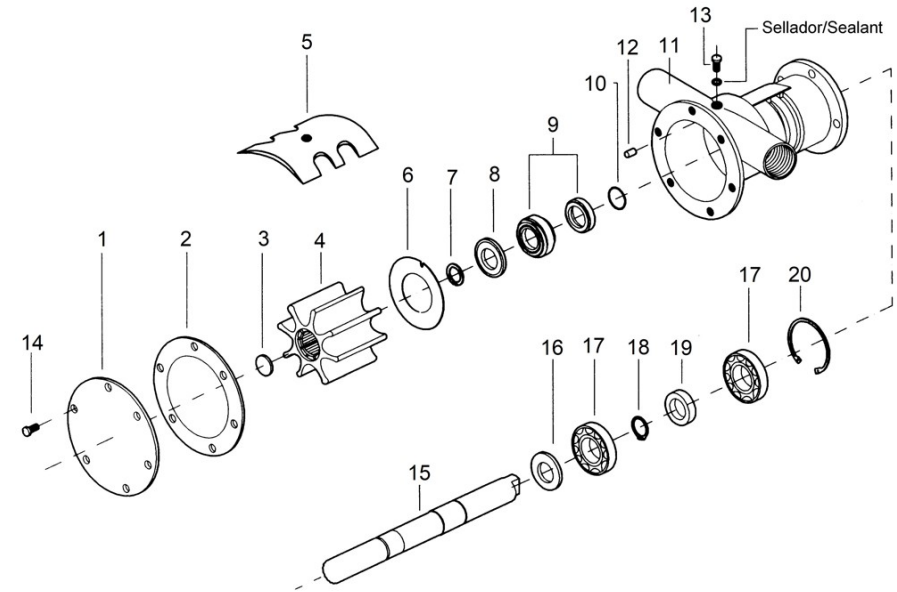
D_GU01_3_3 Wet Exhaust

Fig.	Ref.	Qty.	Descr.	Obs	From	UpTo
1	17421014	1	Gasket			
2	17813014	1	Adaptor			
3	53203307	3	Bolt DIN 912 M10x1,25-20 12.9			
4	17813016	1	Gasket			
5	17813015	1	Elbow,wet exhaust			
6	53033008	3	Washer GROWER DIN 127-8			
7	52103260	3	Bolt DIN 912 M8-35 8.8			
8	55102405	1	Bolt DIN 933 M14-1,50-12 Brass		07/05/2024	

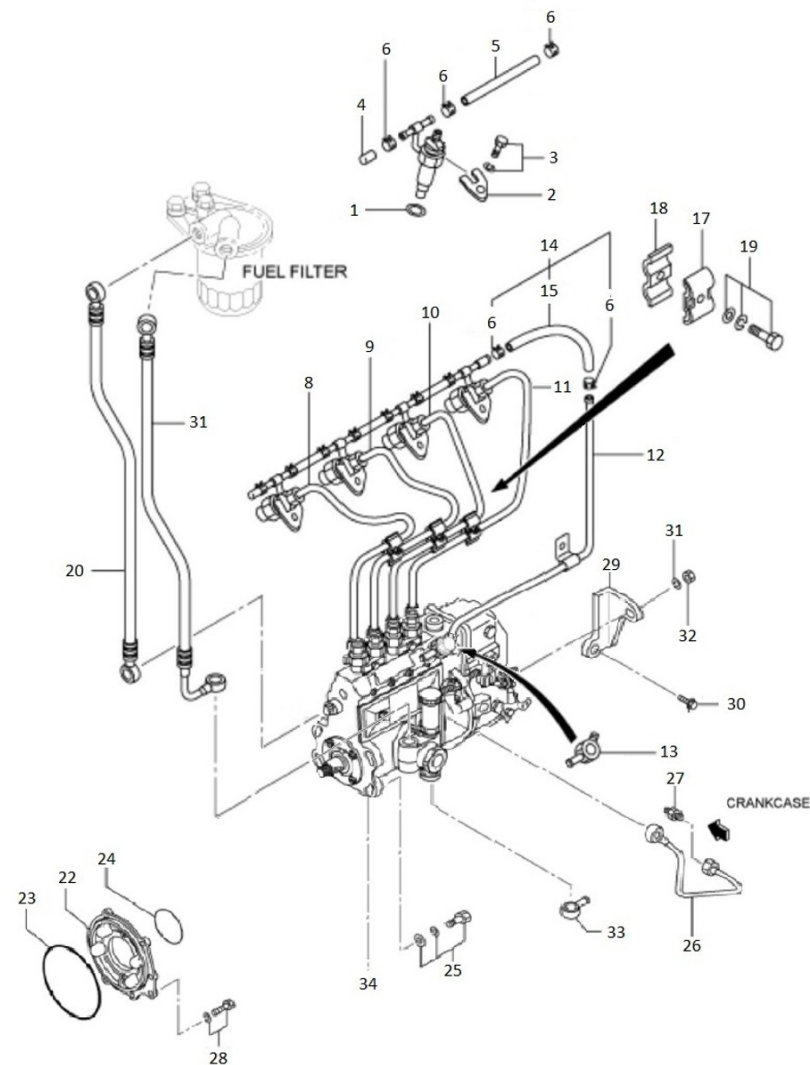


36511000 Cross Brace Pump from 74 to 616

Fig.	Ref.	Qty.	Descr.	Obs	From	UpTo
1	34711002	1	Cover Pump			
2	34711003	1	Gasket Cover			
3	34711041	1	Impeller Plug			
4	34711008	1	1" Impeller			
5	34711005	1	Cam			
6	34711026	1	Plate,Friction			
7	54040016	1	CIRClip E-16			
8	36511018	1	Washer,seal			
9	36511019	1	Seal			
10	33311013	1	O-Ring D. 15X2			
11	36511001	1	Body,water pump			
12	36511017	1	Pin,Dowel			
13	54108154	1	Bolt DIN 84 M6-10			
14	54102154	6	Bolt DIN 933 M6-10 INOX			
15	36511010	1	Shaft,pump			
16	36511015	1	Spacer 17X24X7			
17	33311014	2	Ball Bearing 6203			
18	53040017	1	Circlip DIN 471 E-17			
19	36511020	1	Seal 16-30-7			
20	53041040	1	Circlip DIN 472 I-40			

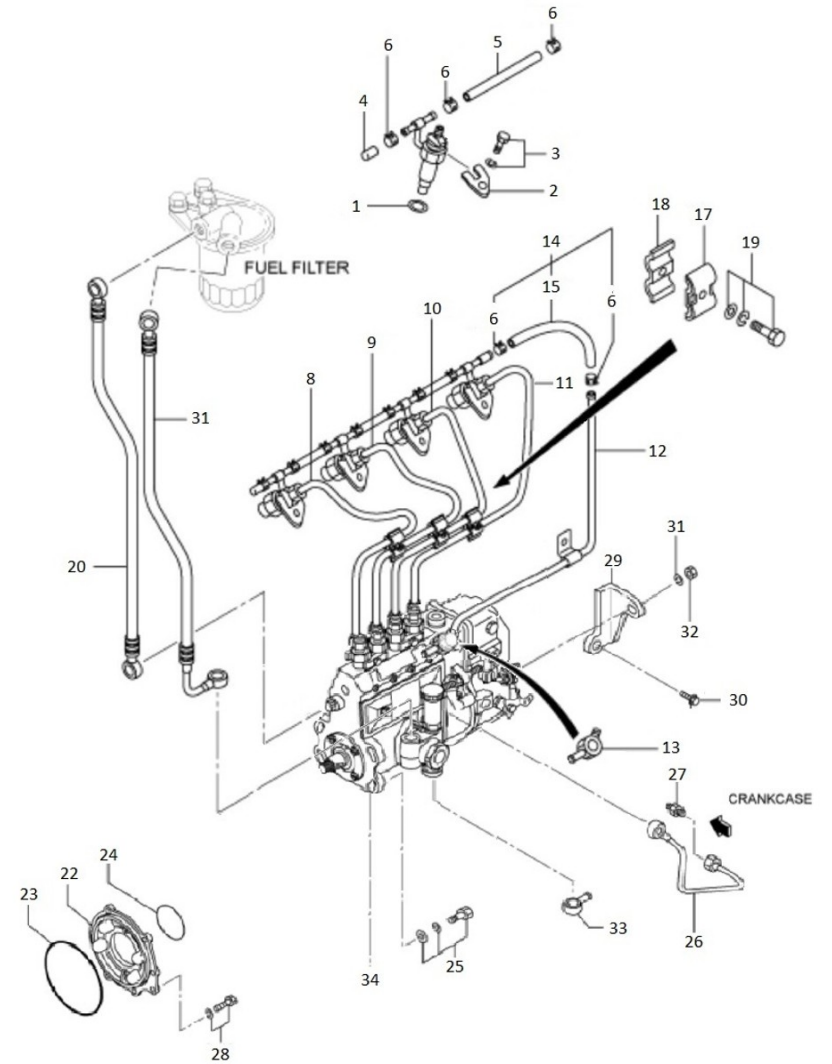


D_GU01_4_1		Fuel Line			
Fig.	Ref.	Qty.	Descr.	Obs	From UpTo
1	17024013	4	Gasket Nozzle		
2	17824013	4	Support, Nozzle		
3	17822118	4	Bolt, Flange		
4	17824008	1	Cap		
5	17824005	3	Hose		
6	17824006	6	Clip,Hose		
8	17B21083	1	Pipe,Injection No1		
9	17B21084	1	Pipe,Injection No2		
10	17B21085	1	Pipe,Injection No3		
11	17B21086	1	Pipe,Injection No4		
12	17B21087	1	Pipe,Fuel Return		
13	17B21088	1	Joint,Eye		
14	17B21089	1	Hose Assy,Fuel		
15	17B21090	1	Hose Fuel (6X118)		
17	17824011	3	Clamp		
18	17824012	3	Clamp		
19	17A24025	3	Bolt		
20	17B21091	1	Pipe		
21	17424007	1	Hose,Fuel		
22	17A25005	1	Flange, inj.pump		
23	17420047	1	O-Ring D. 140X2		
24	17520075	1	O-Ring D. 75X25		
25	17425029	4	Bolt,W/Washer		
26	17B21094	1	Pipe,Oil		
27	17424032	1	Connector		
28	17721012	1	Bolt,W/Washer		
29	17424034	1	Bracket,INJ.Pump		
30	17425036	1	Bolt,Flange		
31	13321016	1	Washer Spring		
32	17120049	1	Nut M8		
33	60530073	1	Union,COLOR (Generator)		



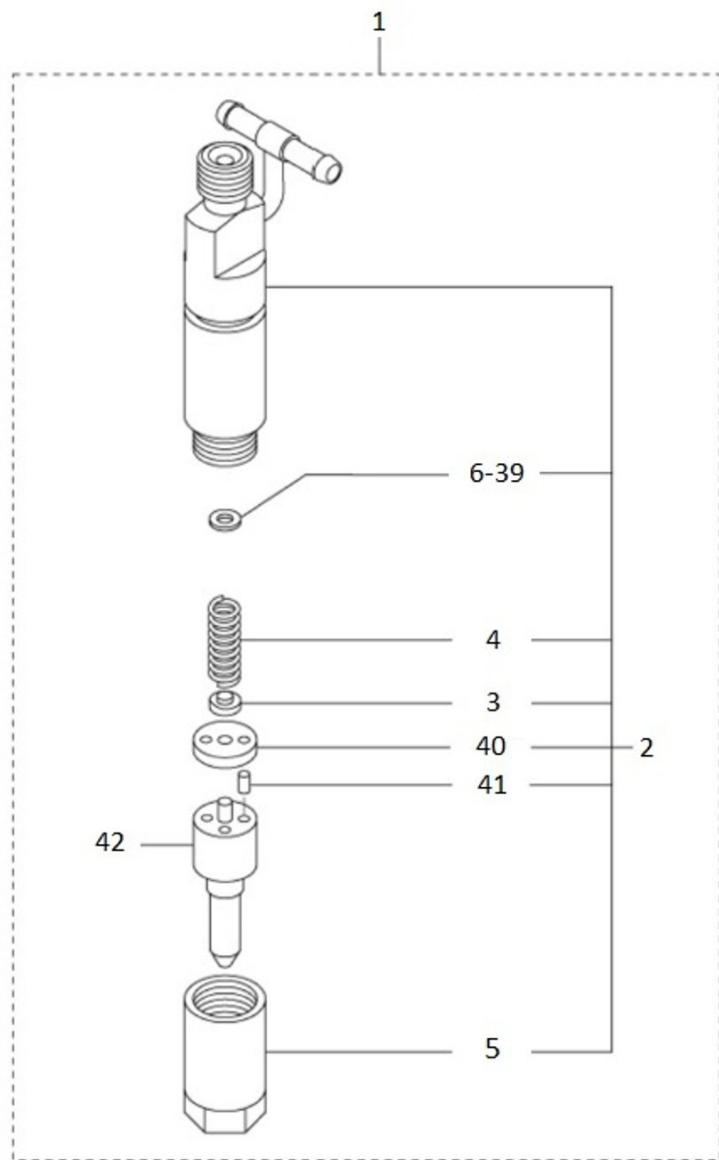
D_GU01_4_1		Fuel Line				
Fig.	Ref.	Qty.	Descr.	Obs	From	UpTo

34	17B21095	1	Pump Assy,Inj(In-Line)			
----	----------	---	------------------------	--	--	--



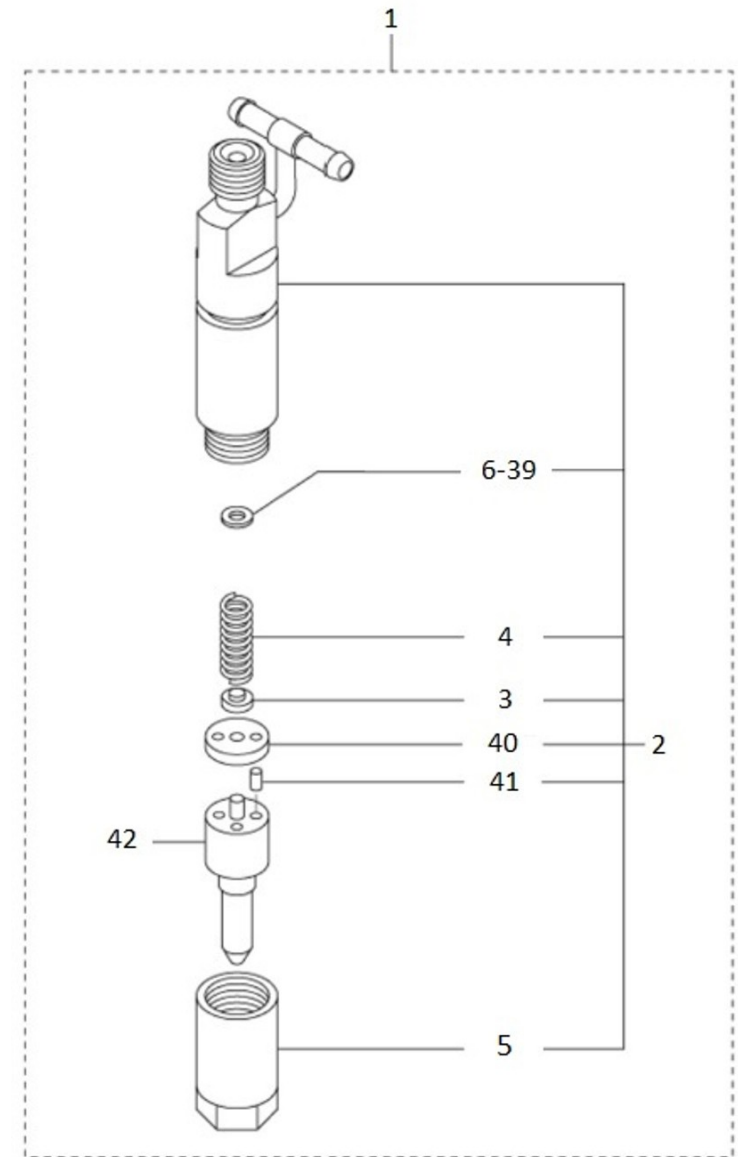
D_GU01_4_2 Injection Nozzle

Fig.	Ref.	Qty.	Descr.	Obs	From	UpTo
1	17A24004	4	Nozzle Assy			
2	17A26002	4	Injection Nozzle			
3	17026103	4	Pin,pressure			
4	17026104	4	Spring,pressure			
5	17A26006	4	Nut			
6	17A26003	0	Washer 1,00	#		
7	17026144	0	Washer 1,050	#		
8	17026145	0	Washer 1,100	#		
9	17026146	0	Washer 1,150	#		
10	17026010	0	Washer 1,20	#		
11	17026011	0	Washer 1,25	#		
12	17026012	0	Washer 1,30	#		
13	17026013	0	Washer 1,35	#		
14	17A26014	0	Washer 4,00	#		
15	17A26015	0	Washer 4,50	#		
16	17026016	0	Washer 1,50	#		
17	17026017	0	Washer 1,55	#		
18	17026019	0	Washer 1,60	#		
19	17026020	0	Washer 1,65	#		
20	17026021	0	Washer 1,70	#		
21	17026022	0	Washer 1,75	#		
22	17026023	0	Washer 1,80	#		
23	17026131	0	Washer 1,275	#		
24	17026132	0	Washer 1,325	#		
25	17026133	0	Washer 1,375	#		
26	17026134	0	Washer 1,425	#		
27	17026135	0	Washer 1,475	#		
28	17A26022	0	Washer 0,950	#		
29	17A26023	0	Washer 0,700	#		
30	17A26024	0	Washer 0,750	#		
31	17A26025	0	Washer 0,800	#		

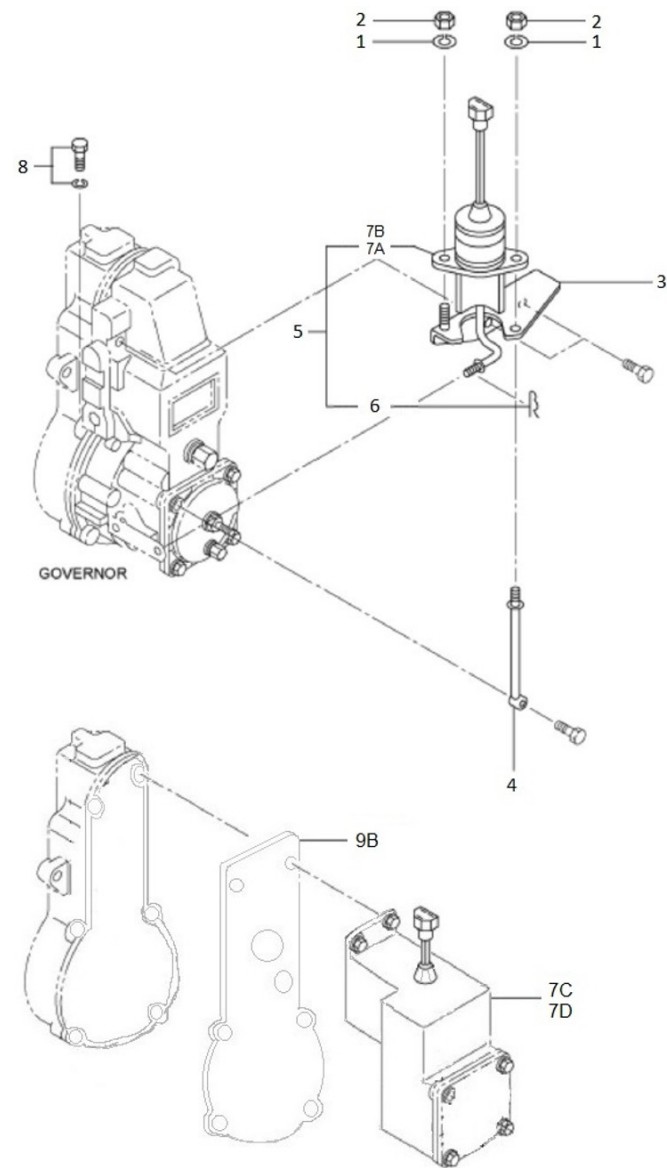


D_GU01_4_2 Injection Nozzle

Fig.	Ref.	Qty.	Descr.	Obs	From	UpTo
32	17A26026	0	Washer 0,850	#		
33	17A26028	0	Washer 0,975	#		
34	17B21127	0	Washer, 0.975	#		
35	17A26029	0	Washer 1,025	#		
36	17A26030	0	Washer 1,075	#		
37	17A26031	0	Washer 1,125	#		
38	17A26032	0	Washer 1,175	#		
39	17A26033	0	Washer 1,225	#		
40	17026107	4	Packing,tip			
41	17026008	8	Pin Straight			
42	17A26034	4	Nozzle Assy			

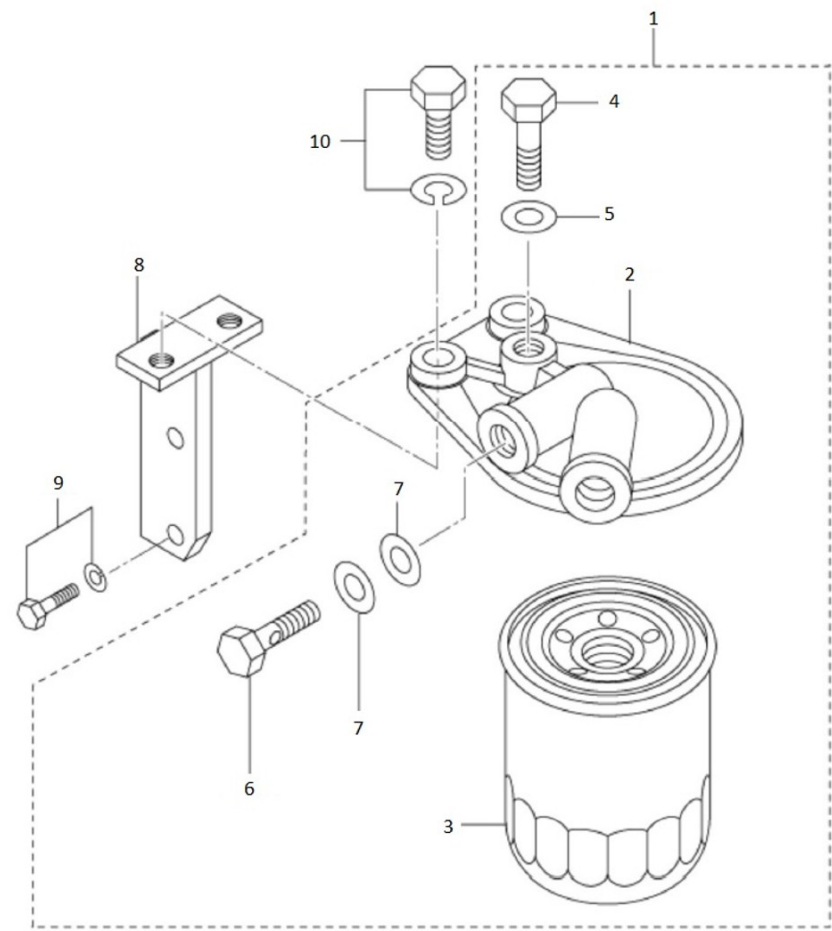


D_GU01_4_4		Governor				
Fig.	Ref.	Qty.	Descr.	Obs	From	UpTo
1	13324007	2	Washer Spring			
2	17223032	2	Nut			
3	17427005G	1	Bracket			
4	17427006G	1	ROD,Support			
5	17B21135	1	Solenoid Assy,ETR			
6	17425264.3	1	Clip 24V			
7A	17B21136	1	Solenoid(12V)			
Figure A for 12V System						
7B	17425264.2	1	Solenoid 24V			
Figure b for 24V System						
7C	60972516	1	G.A.C 175 Series 12V Integrated Actuator			
Figure C for Parallel System 12V						
7D	60972520	1	G.A.C. 175 Series 24V Integrated Actuat.			
Figure D for Parallel System 24V						
8	17B21137	3	Bolt Washer Assy			
9B	60972518	1	Assembly kit for 175 series actuator			
Figure b for Parallel System						



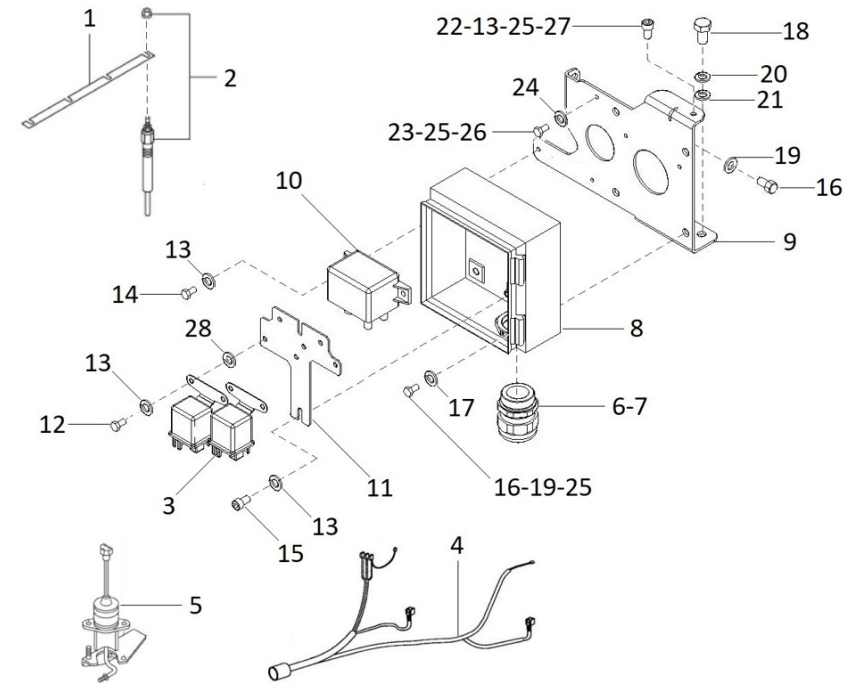
D_GU01_4_5 Fuel Filter

Fig.	Ref.	Qty.	Descr.	Obs	From	UpTo
1	17424020	1	Fuel Filter Assy			
2	17424001	1	Bracket,Fuel Filter			
3	17B24022	1	Cartridge Fuel Filter Assy SM-56			
4	13324072	1	Plug			
5	13324011	1	Washer			
6	17424003	2	Bolt,EYE			
7	17424008	4	Washer,SealING			
8	17424002	1	Bracket,Fuel Filter			
9	17421012G.1	2	Bolt W/Washer (Generator)			
10	17B21143	2	Bolt,Washer Assemble			



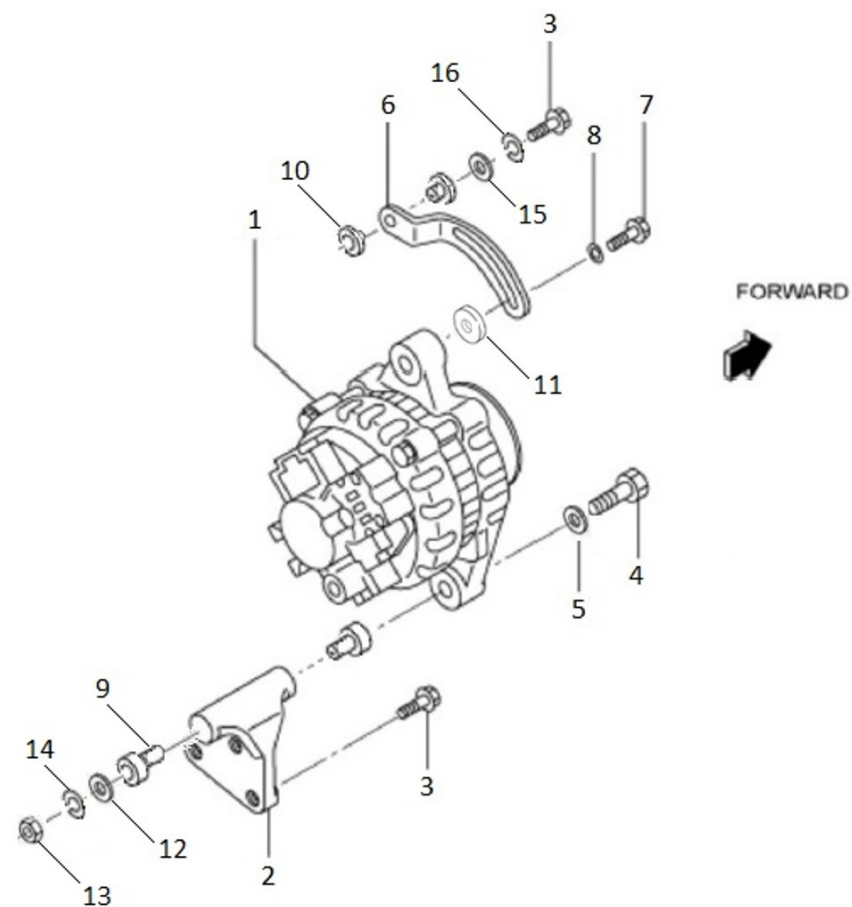
D_GU01_5_5 12V Electrical Wiring

Fig.	Ref.	Qty.	Descr.	Obs	From	UpTo
1	17427018	1	Plate Glow Plug			
2	17827017	4	Plug, Glow			
3	17527005	1	Relay 12V 200A			
4	6097B203	1	SM-56 E. Wiring G.Earth Isolated			
5	17B21136	1	Solenoid(12V)			
6	60900313	1	Cable Gland Captor-2000 PG29			
7	60900314	1	Hexagonal Locknut Captor-2000 PG29			
8	6097A002	1	Metal Box IP66 150x150x80			
9	17B17001	1	Relays Box Bracket			
10	19017113	1	Relay 12V Earth Isolated Nagares			
11	6097A002.03	1	Relay Bracket			
12	58101155	4	Bolt DIN 933 M6-12 Nylon			
13	51030006	9	Washer DIN 125-6			
14	52102154	2	Bolt DIN 933 M6-10 8.8			
15	52103154	2	Bolt DIN 912 M6-10 8.8			
16	52102256	2	Bolt DIN 933 M8-16 8.8			
17	51030008	4	Washer DIN 125-8			
18	52102308	1	Bolt DIN 933 M10-25 8.8			
19	53033008	6	Washer GROWER DIN 127-8			
20	53033010	2	Washer GROWER DIN 127-10			
21	51030010	1	Washer DIN 125-10			
22	52103156	1	Bolt DIN 912 M6-16 8.8			
23	52102106	1	Bolt DIN 933 M5-15 8.8			
24	51030005	1	Washer DIN 125-5			
25	52120008	4	Nut DIN 934 M8 8.8			
25	53033006	2	Washer GROWER DIN 127-6			
26	52120005	1	Nut DIN 934 M5 8.8			
27	52120006	1	Nut DIN 934 M6 8.8			
28	58030603	4	Washer DIN 125-6 Nylon			



D_GU01_5_1 Alt. Kit 12V/50A

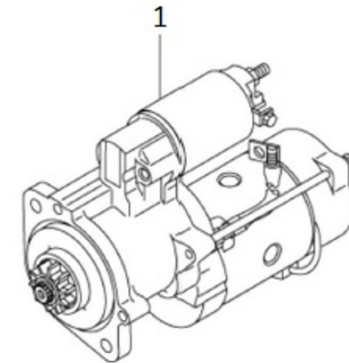
Fig.	Ref.	Qty.	Descr.	Obs	From	UpTo
1	17427011G	1	Alternator 12V/50A			
2	17427002.5	1	Alternator Bracket, Earth Isolated			
2	17427002G.1	1	Alternator Bracket, Earth Isolated			
3	52102258	1	Bolt DIN 933 M8-25 8.8			
4	52101324	1	Bolt DIN 931 M10-110 8.8			
4	52101325	1	Bolt DIN 931 M10-120 8.8			
5	53038010	1	Washer DIN 6798-A 10			
6	17427007G.2	1	Plate, Adjusting Generator - 2-PoleS			
7	52102259	1	Bolt DIN 933 M8-30 8.8			
8	51031008	1	Washer DIN 9021 8			
9	17117011	2	Bracket Bakelite Bushing			
10	17117012	2	Tensor Bakelite Bushing			
11	17217015	1	Spacer 8,5X22X3,5			
12	51030010	1	Washer DIN 125-10			
13	52120010	1	Nut DIN 934 M10 8.8			
14	53033010	1	Washer GROWER DIN 127-10			
15	51030008	1	Washer DIN 125-8			
16	53033008	1	Washer GROWER DIN 127-8			



D_GU01_5_3 Starter 12V

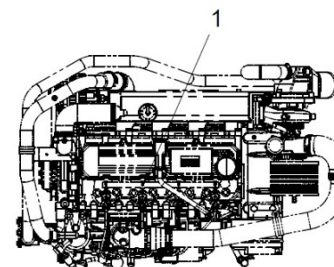
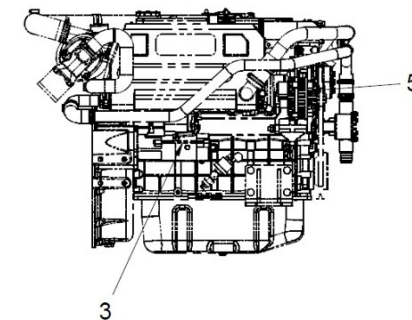
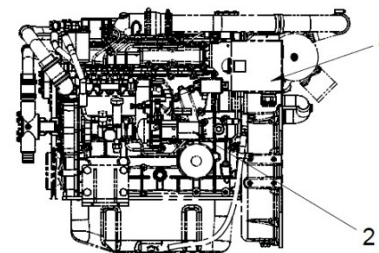
Fig.	Ref.	Qty.	Descr.	Obs	From	UpTo
------	------	------	--------	-----	------	------

1	17827001	1	Starter Assy			
---	----------	---	--------------	--	--	--



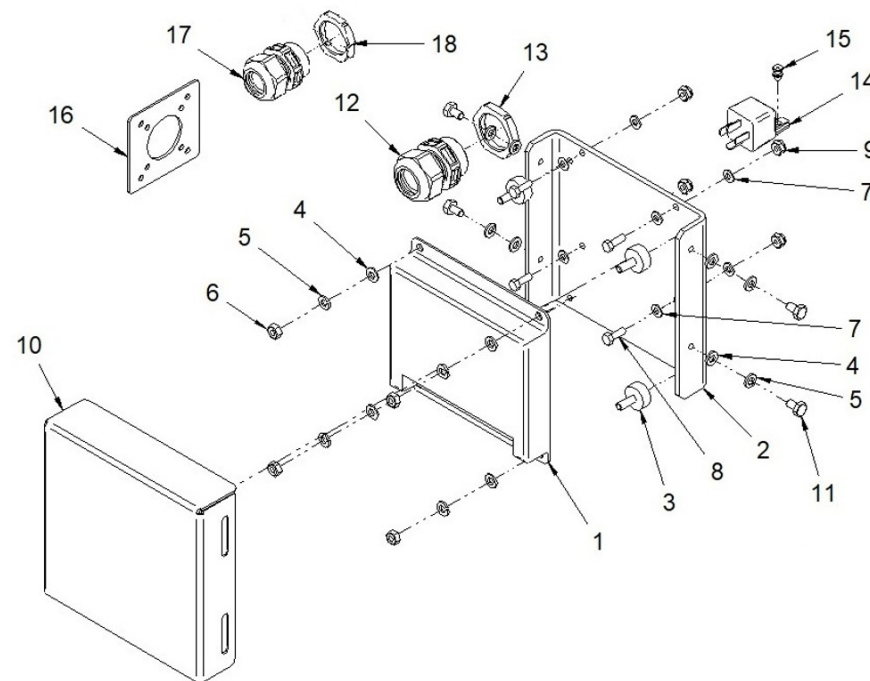
17B17206G Conversion Kit to 24V (ONLY Engine Items)

Fig.	Ref.	Qty.	Descr.	Obs	From	UpTo
1	17A27017	4	Glow Plug 24V			
2	17425264.2	1	Solenoid 24V			
3	17527001.2	1	Starter Assy 24V			
4A	17417005	2	Relay 24V 24-100			
4B	17527005.2	1	Glow Relay 24V			
4B	17527006	1	Glow Relay 24V			
4C	52102156	2	Bolt DIN 933 M6-16 8.8			
4D	51030006	1	Washer DIN 125-6			
4E	19017114	1	Relay 24V Earth Isolated Nagares			
5A	17417024	1	Alternator 28V/55A			
5B	17417020	1	Pulley Alternator			
5B	17417022	1	Pulley			
5C	17427007	1	Plate,Adjusting			
5D	52102260	1	Bolt DIN 933 M8-35 8.8			
5E	51030008	1	Washer DIN 125-8			
5F	53033008	1	Washer GROWER DIN 127-8			
5G	51031008	1	Washer DIN 9021 8			
5H	52120008	1	Nut DIN 934 M8 8.8			
5I	52202310	2	Bolt DIN 933 M10-1,25-35 8.8			
5J	51030010	2	Washer DIN 125-10			
5K	53033010	1	Washer GROWER DIN 127-10			
NS	13527018	1	Connector Assy 2-			
NS	13827003	2	Connector			
NS	17617006	1	Spacer 6,5X12X5			
NS	51030005	1	Washer DIN 125-5			
NS	52101260	1	Bolt DIN 931 M8-35 8.8			
NS	52101326	1	Bolt DIN 931 M10-130 8.8			
NS	52102104	1	Bolt DIN 933 M5-10 8.8			



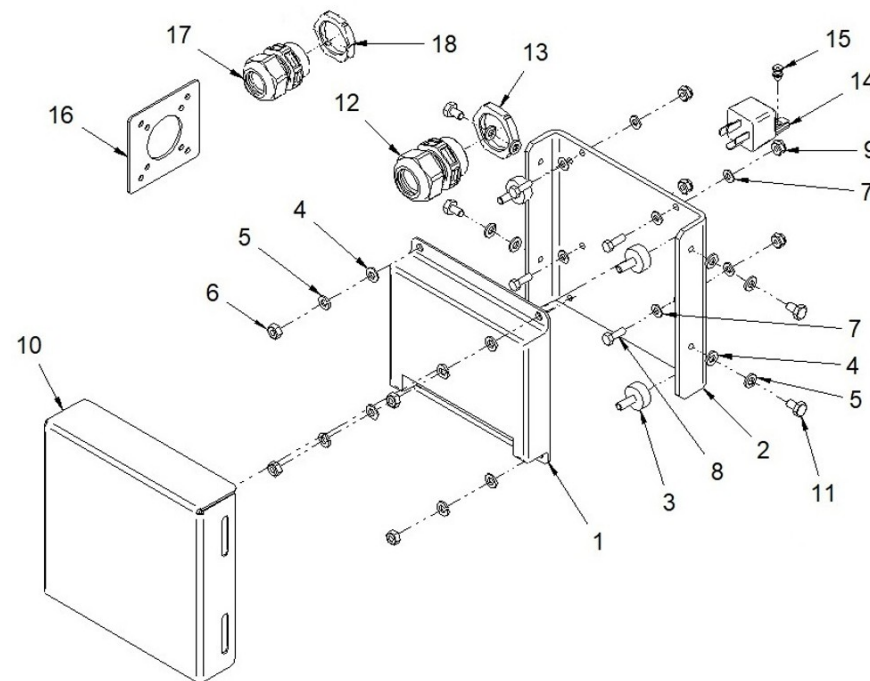
D_SM56GTST_05_3 Parallel Electrical System 12V

Fig.	Ref.	Qty.	Descr.	Obs	From	UpTo
1	60972521	1	Speed Control Unit G.A.C. ESD-5500 Ser.			
2	17317007	1	Electronic Unit Bracket			
3	17A14009	4	Anti Vibration Mount M6			
4	51030006	8	Washer DIN 125-6			
5	53033006	8	Washer GROWER DIN 127-6			
6	52120006	4	Nut DIN 934 M6 8.8			
10	17317008	1	Parallel electronic unit cover			
11	52102154	2	Bolt DIN 933 M6-10 8.8			
12	60900310	1	Connector Press CAPTOR-2000 M32 RAL7001			
13	60900311	1	Screw Connector Press Captor-2000 M32			
14	63900028	1	Relay 12V 20/30A NO+NC			
15	51058054	1	Aluminium Rivet 4.0 X 10			
16	60573041.25G	1	Connector Adapter Parallel			
NS	60972517	1	Connector for actuator Packard type			
NS	60974205	1	35 GT/GTC Parallel Auxiliary Installation Mitsubishi			31/05/2023
NS	60974229	1	Auxiliary Installation Parallel Genset		01/06/2023	



D_SM56GTST_05_4 Parallel Electrical System 24V

Fig.	Ref.	Qty.	Descr.	Obs	From	UpTo
1	60972521	1	Speed Control Unit G.A.C. ESD-5500 Ser.			
2	17317007	1	Electronic Unit Bracket			
3	17A14009	4	Anti Vibration Mount M6			
4	51030006	8	Washer DIN 125-6			
5	53033006	8	Washer GROWER DIN 127-6			
6	52120006	4	Nut DIN 934 M6 8.8			
10	17317008	1	Parallel electronic unit cover			
11	52102154	2	Bolt DIN 933 M6-10 8.8			
12	60900310	1	Connector Press CAPTOR-2000 M32 RAL7001			
13	60900311	1	Screw Connector Press Captor-2000 M32			
14	17417005.1	1	Relay 24V 24-22A			
15	51058054	1	Aluminium Rivet 4.0 X 10			
NS	60900088	1	TERMINAL Female SUPERSEAL			
NS	60900089	1	SUPERSEAL male terminal			
NS	60900322	1	2 female channel connector SUPERSEAL			
NS	60900323	1	2 male channel connector SUPERSEAL			
NS	60900330	1	SUPERSEAL yello rubber protection			
NS	60972517	2	Connector for actuator Packard type			
NS	60974205	1	35 GT/GTC Parallel Auxiliary Installation Mitsubishi			31/05/2023
NS	60974229	1	Auxiliary Installation Parallel Genset		01/06/2023	



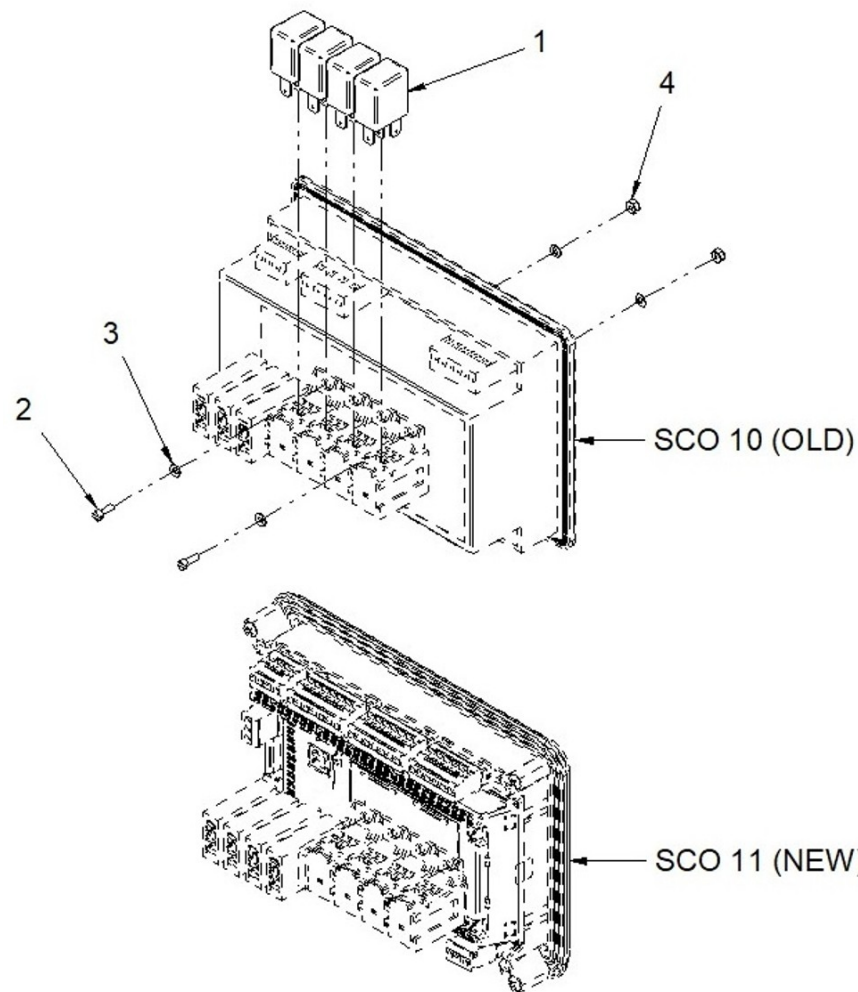
D_SM56GTST_05_5 Panels for Genset

Fig.	Ref.	Qty.	Descr.	Obs	From	UpTo
1A	6297B230ST	1	Panel SCO 11 45 GTC 12V 230V			
1B	6297B400S	1	Panel SCO 11 45 GTC 12V 400/230V			
1C	6297B230ST.2	1	Panel SCO 11 45 GTC 24V 230V			
1D	6297B400.2S	1	Panel SCO 11 45 GTC 24V 400/230V			
1E	6297B400S.18	1	Panel SCO 11 54 GTAC 12V 480/277V			
1F	6297B240ST.2	1	Panel SCO 11 54 GTAC 240V 24V			
1G	6297B240ST	1	Panel SCO 11 54 GTAC ETR 12V 240V			
1H	6297B400.2S.18	1	Panel SCO 11 54 GTAC ETR 24V 480/277V			



D_PANELGRUPO1_01 Spare Parts List for Generator Panel

Fig.	Ref.	Qty.	Descr.	Obs	From	UpTo
1A	60900091	4	MICRO Relay 12V 12-20			
Figure A for 12V System						
1B	60900092	4	MICRO Relay 24V 24-10			
Figure b for 24V System						
2	54108003	2	Bolt DIN 84 M3-8 INOX.			
3	51030003	4	Washer DIN 125-3			
4	52120003	2	Nut DIN 934 M3 8.8			
NS	60972106	1	System Back Panel			
NS	60972124	1	SCO 10 Panel Screw Bracket			
NS	62900001	1	Rail Guide For Modular Micro Relay Holder - Fusible		31/03/2023	
NS	62972123	1	Electrical System Back Panel SCO 11			
NS	62972124	1	SCO 11 Pamel Screw Bracket			



D_SM56GTST_05_7 Electrical Box for Parallel

Fig.	Ref.	Qty.	Descr.	Obs	From	UpTo
1A	60971577	1	Parallel Kit 45 GT 400 / 230V Control / Power 12V			
1B	6097B500	1	Kit Paral. 45 GT 400/230V Cont/Pow 24V			
1C	60971588	1	Parallel Kit 45 GT 230V Control and Power 12V			
1D	60971590	1	Parallel Kit 45 GT 230V Control and Power 24V			
1E	60971592	1	Parallel Kit 54 GTA 480 / 277V Control and Power 12V			
1F	60971594	1	Parallel Kit 54 GTA 480 / 277V Control and Power 24V			
1G	60971596	1	Parallel Kit 54 GTA 240V Control and Power 12V			
1H	60971598	1	Parallel Kit 54 GTA 240V Control and Power 24V			



D_W1C1_1_1		Genset Extension				
Fig.	Ref.	Qty.	Descr.	Obs	From	UpTo
1A	60938210I	1	Genset Wiring Ext. 3 M. CPC			
1B	60985210I	1	Genset Wiring Ext. 4 M. CPC			
1C	60938221	1	Genset Wiring Ext. 6 M. CPC			
1D	60938212	1	Genset Wiring Ext. 8 M. CPC			
1E	60985210.12I	1	Genset Wiring Ext. 12 M. CPC			
1F	60985210.18I	1	Genset Wiring Ext. 18 M. CPC			
1G	60985210.24I	1	Genset Wiring Ext. 24 M. CPC			
1H	60985210.30I	1	Genset Wiring Ext. 30 M. CPC			
1I	60974552	1	3-way Wiring Wxtension for Auxiliary Kits 4 m			
1J	60900165	1	3-way Wiring Extension for Auxiliary Kits 6 m			
1K	60900166	1	3-way Wiring Extension for Auxiliary Kits 12 m			
1L	60900167	1	3-way Wiring Extension for Auxiliary Kits 24 m			
1M	60972104	1	Double Panel SCO 12 M. Harness			
1N	60972105	1	Double Panel SCO 24 M. Harness			
1O	60972110	1	Double Panel SCO 36 M. Harness			
1P	60972145	1	Double Panel SCO 45 M. Harness			



D_W1C1_1_2 Parallel Genset Extension

Fig.	Ref.	Qty.	Descr.	Obs	From	UpTo
1A	6097A223	1	Wiring extensions Electronic Actuator Genset SCO Pan		01/06/2023	
1B	6097A224	1	Wiring extensions Electronic Actuator Genset SCO Pan		01/06/2023	
1C	6097A221	1	Wiring Extension for Parallel Control and Power Gens		01/06/2023	
1D	6097A222	1	Wiring Extension for Parallel Control and Power Gens		01/06/2023	
1E	60974221	1	Wiring Extension 25/35/50/68 GT 6 m Electronic Actua			31/05/2023
1F	60974219	1	Wiring Extension 25/35/50/68 GT 12 m Electronic Actua			31/05/2023
1G	60974206	1	Wir.Ext. 25/35/50/68 GT Prep. Paral.6M			31/05/2023
1H	60974207	1	Wir.Ext. 25/35/50/68 GT Prep. Paral.12M			31/05/2023



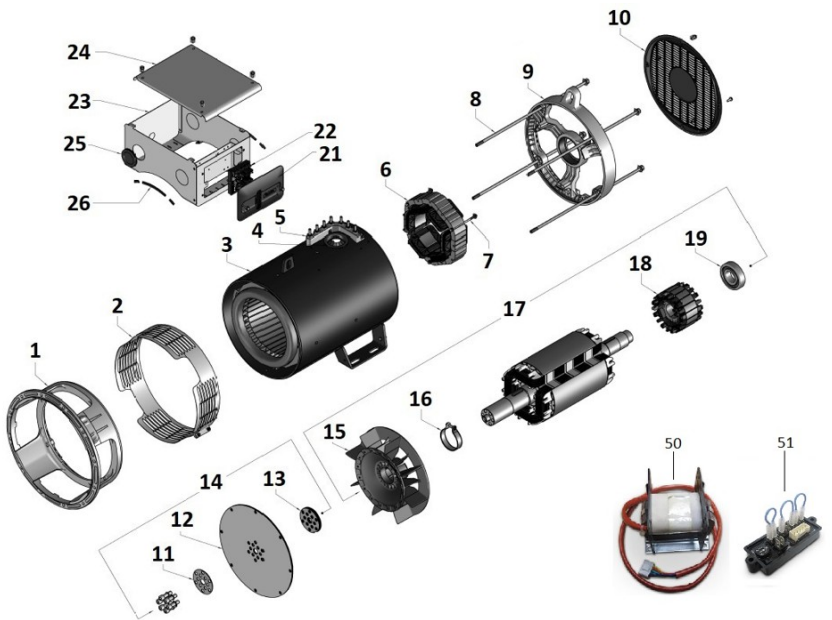
D_SM56GTST_06_1 Alternator 45 GT/GTC and 54 GTA/GTAC

Fig.	Ref.	Qty.	Descr.	Obs	From	UpTo
1A	605113050ZI6R	1	Alt.MECC.ALTE III 50KVA 400/230V C-TYPE (R)			
1B	605113050PI6R	1	Alt.MECC.ALTE III 50KVA 400/230V C-TYPE P (R)			
1C	605113050ZI2R	1	Alt.MECC.ALTE III 50 KVA 230V C-TYPE (R)			
1D	605113050PI2R	1	Alt.MECC.ALTE III 50 KVA 230V C-TYPE P (R)			
1E	605123060ZI5R	1	Alt.MECC.ALTE III 60 KVA 480/277V C-TYPE (R)			
1F	605123060PI2R	1	Alt.MECC.ALTE III 60 KVA 480/277VC-TYPE P (R)			
1G	605123060ZI4R	1	Alt.MECC.ALTE III 60 KVA 1800RPM 240V C-TYPE (R)			
1H	605123060PI3R	1	Alt.MECC.ALTE III 60 KVA 240V C-TYPE P (R)			
1I	605113050ZI4RCTC	1	Subst. Alt. MECC. Type B For Type C III 50KVA 1500 4			
1J	605113050ZI5RCTC	1	Subst. Alt. MECC. Type B For Type C III 50KVA 150023			
1K	605113050PI5RCTC	1	Subst. Alt. MECC. Type B For C III 50KVA 1500RPM 230			
1L	605113050PI4RCTC	1	Subst. Alt. MECC. Type B For C III 50KVA 1500400/230			
1M	605123060ZI3RCTC	1	Subst. Alt. MECC. Type B For Type C III 60KVA 1800 2			
1O	605123060ZI2RCTC	1	Subst. Alt. MECC. Type B For Type C III 60KVA 1800 4			
1P	605123060PI5RCTC	1	Subst. Alt. MECC. Type B For C III 60KVA 1800RPM 240			
1Q	605123060PI4RCTC	1	Subst. Alt. MECC. Type B For C III 60KVA 1800 480/27			



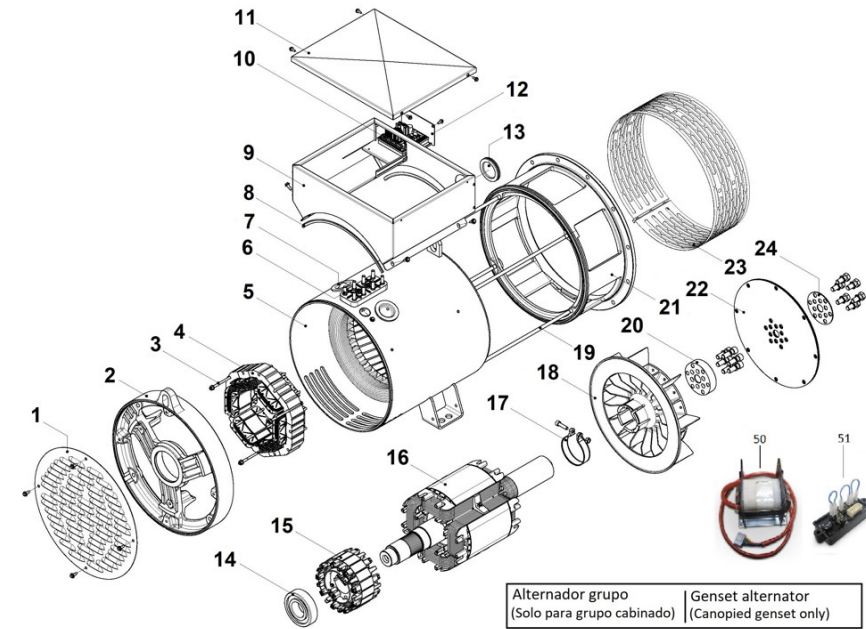
D_605113050Zi6 Alternator Spare Parts TYPE C From 30/12/2021

Fig.	Ref.	Qty.	Descr.	Obs	From	UpTo
1	605113050Zi6.1	1	Drive End Bracket			
2	605113050Zi6.2	1	Protection Screen			
3	605113050Zi6.3	1	Frame and Stator			
4	605113050Zi6.4	1	Cable Grommet diam. 70 mm			
5	605113050Zi6.13	1	Kit Terminal Board 7			
6	605113050Z4.4	1	Exciter Stator H-45 6P			
7	605113050Zi6.6	1	Exciter Stay Bolt H-45			
8	605113050Zi6.7	1	Cover Stay Bolt			
9	605113075Zi2.3	1	Non Drive end Bracket			
10	605113050Zi6.9	1	Rear Seal			
11	605113050Z4.23	1	Disc Bloking Ring-Spacer			
12	605113050Zi6.10	1	Disc SAE 11,5			
13	605113050Z4.19	1	Ring Spacer Vol. 8 - 10			
14	605113050Z4.21	1	Kit Coupling Disc Plates SAE 11,5			
15	605113050Z4.17	1	Plastic Fan			
16	605113050Z4.16	1	Clamp			
17	605113050Zi6.11	1	Rotor Assy			
18	605113050Zi6.12	1	Exciter Armature H-45 6P (+ Diodes T30)			
19	605113050Z4.13	1	Rear Bearing 6309-2RS C3			
21	M9909505310	1	Regulator Cap			
22	60500023.1	1	Electronic Regulator DSR			
23	M7510603373	1	Terminal Box			
24	M9903910114	1	Terminal Box Lid			
25	605113050Z4.12	1	Cable Grommet			
26	19620078	1	Rubber Profile EPDM 0,54m			
50	60511386P	1	PD500 Parallel Device			
51	60511387P	1	PD-I Parallel Device			



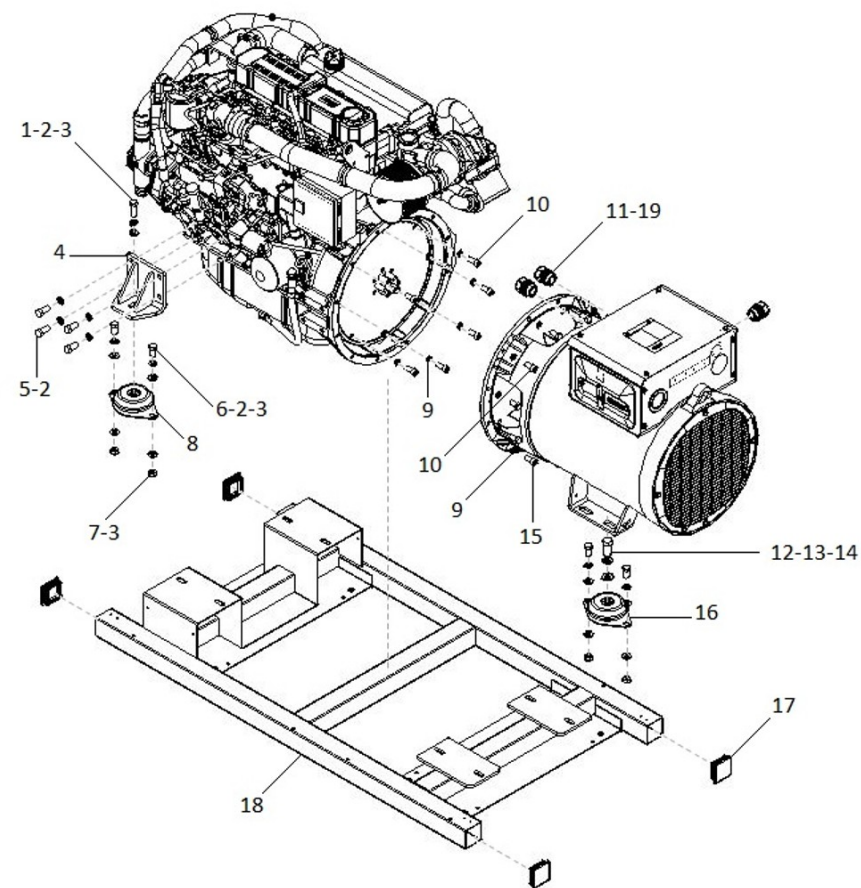
D_SM56GTST_06_3 Spare Part List Alternator Type B Upto 29/12/2021

Fig.	Ref.	Qty.	Descr.	Obs	From	UpTo
1	605113050Zi6.1	1	Drive End Bracket			
2	605113050Zi6.2	1	Protection Screen			
3	605113050Zi6.3	1	Frame and Stator			
4	605113050Zi6.4	1	Cable Grommet diam. 70 mm			
5	605113050Zi6.5	1	Terminal Board 7 Pin M8			
6	605113050Z4.4	1	Exciter Stator H-45 6P			
7	605113050Zi6.6	1	Exciter Stay Bolt H-45			
8	605113050Zi6.7	1	Cover Stay Bolt			
9	605113050Zi6.8	1	Aluminium Non Drive End Bracket			
10	605113050Zi6.9	1	Rear Seal			
11	605113050Z4.23	1	Disc Bloking Ring-Spacer			
12	605113050Zi6.10	1	Disc SAE 11,5			
13	605113050Z4.19	1	Ring Spacer Vol. 8 - 10			
14	605113050Z4.21	1	Kit Coupling Disc Plates SAE 11,5			
15	605113050Z4.17	1	Plastic Fan			
16	605113050Z4.16	1	Clamp			
17	605113050Zi6.11	1	Rotor Assy			
18	605113050Zi6.12	1	Exciter Armature H-45 6P (+ Diodes T30)			
19	605113050Z4.13	1	Rear Bearing 6309-2RS C3			
21	M9909505310	1	Regulator Cap			
22	60500023.1	1	Electronic Regulator DSR			
23	M7510603373	1	Terminal Box			
24	M9903910114	1	Terminal Box Lid			
25	605113050Z4.12	1	Cable Grommet			
26	605113050Z4.8	1	PVC Rubber Profile			
50	60511386P	1	PD500 Parallel Device			
51	60511387P	1	PD-I Parallel Device			
NS	605113050Z4.25	1	Kit USB2DxR			
NS	60511315.1.11	1	Diode Bridge T30			



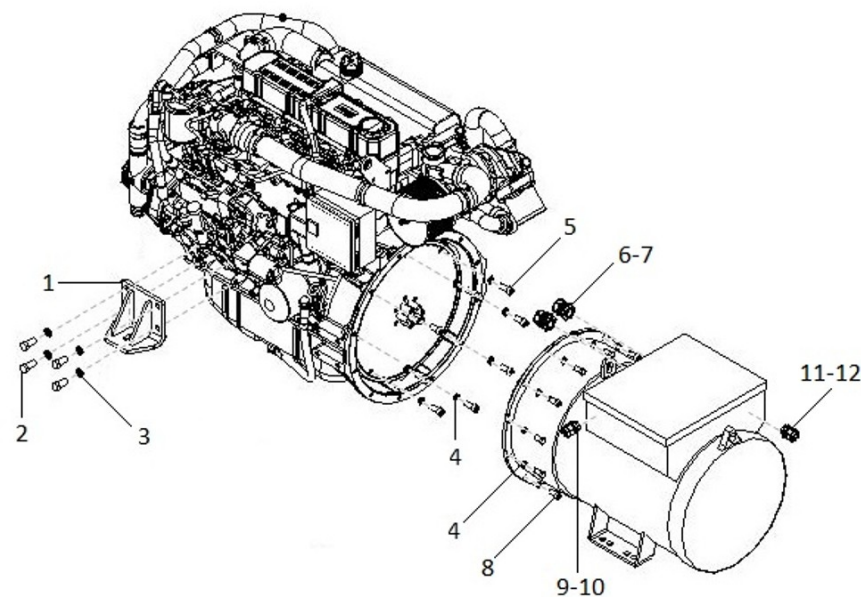
D_A1GU_1_3 Alternator Kit Without Canopy

Fig.	Ref.	Qty.	Descr.	Obs	From	UpTo
1	52102361	2	Bolt DIN 933 M12-40 8.8			
2	53033012	18	Washer Grower DIN 127-12			
3	51030012	18	Washer DIN 125-12			
4	17410001G	2	Support ANTERIUER			
5	52102359	8	Bolt DIN 933 M12-30 8.8			
6	52102358	8	Bolt DIN 933 M12-25 8.8			
7	52120012	8	Nut DIN 934 M12 8.8			
8	61674002	2	Engine Mount Type F 35 SHA M12 H 41			
8	61674005	2	Engine Mount Type F BRB 110 B50 SHA M12 H 41		14/04/2023	
9	53033010	20	Washer GROWER DIN 127-10			
10	52103308	12	Bolt DIN 912 M10-25 8.8			
11	60900310	3	Connector Press CAPTOR-2000 M32 RAL7001			
12	52102461	2	Bolt DIN 933 M16-40 8.8			
13	53033016C	2	Washer			
14	51030016	2	Washer DIN 125-16			
15	52102308	8	Bolt DIN 933 M10-25 8.8			
16	61674001	2	Engine Mount Type F 40 SHA M16 H 41			
16	61674004	2	Engine Mount Type F BRB 110 B50 SHA M16 H 41		14/04/2023	
17	60539019	4	LID (60 Tube)			
18	60574055.01	1	Genset Chassis			
19	60900311	3	Screw Connector Press Captor-2000 M32			
NS	19414022	1	Spacer 13X25X10			
NS	34711041	1	Impeller Plug			
NS	51058054	4	Aluminium Rivet 4.0 X 10			
NS	58088282	4	Pastic Cable Zip Tie			
NS	60900164.1	1	Tubular Terminal			
NS	60972164.2	3	Amperometric transformer 150/5A			
NS	6097A165	1	Amperometric Transformer Bracket			



D_A1GU_1_4 Alternator Kit With Cabin

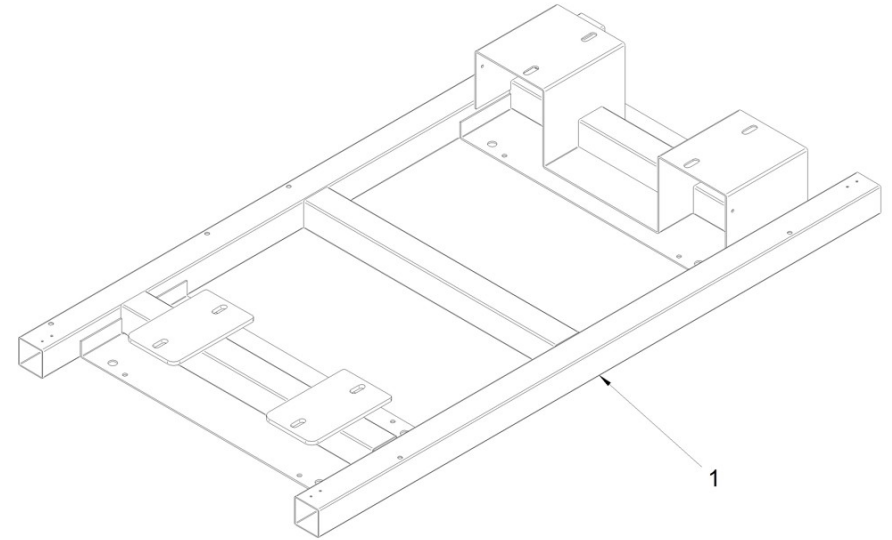
Fig.	Ref.	Qty.	Descr.	Obs	From	UpTo
1	17410001G	2	Support ANTERIUER			
2	52102359	8	Bolt DIN 933 M12-30 8.8			
3	53033012	8	Washer Grower DIN 127-12			
4	53033010	20	Washer GROWER DIN 127-10			
5	52103308	8	Bolt DIN 912 M10-25 8.8			
6	60900310	2	Connector Press CAPTOR-2000 M32 RAL7001			
7	60900311	2	Screw Connector Press Captor-2000 M32			
8	52102308	12	Bolt DIN 933 M10-25 8.8			
9	60900304	1	Coneector Press PA Grey IP68 M16			
10	60900307	1	Screw Connector Press PA Grey IP68 M16			
11	60900306	1	Connector Press CAPTOR-2000 M25 RAL7001			
12	60900309	1	Screw Connector Press Captor-2000 M25			
NS	19414022	1	Spacer 13X25X10			
NS	51058054	4	Aluminium Rivet 4.0 X 10			
NS	60900510	1	Emergency Stop PUSH BOTTOM			
NS	60900511	1	Stop PUSH BOTTOM Body			
NS	60972164.2	3	Amperometric transformer 150/5A			
NS	60974073G	1	W Breaker GRAY SEC. 35 TO SYStem ALT.			
NS	60974073M	1	V Breaker BROWN SEC.35 TO SYStem ALT.			
NS	60974073N	1	U Breaker BLACK SEC. 35 TO MAGNETO			
NS	60974076	1	Kit Fan Installation			
NS	60975086	1	Switch Disconnecter 125A 3 Poles			
NS	6097A165	1	Amperometric Transformer Bracket			
NS	TP.1.L.14	2	Hollow Toe Terminal Section 1 Length 14			



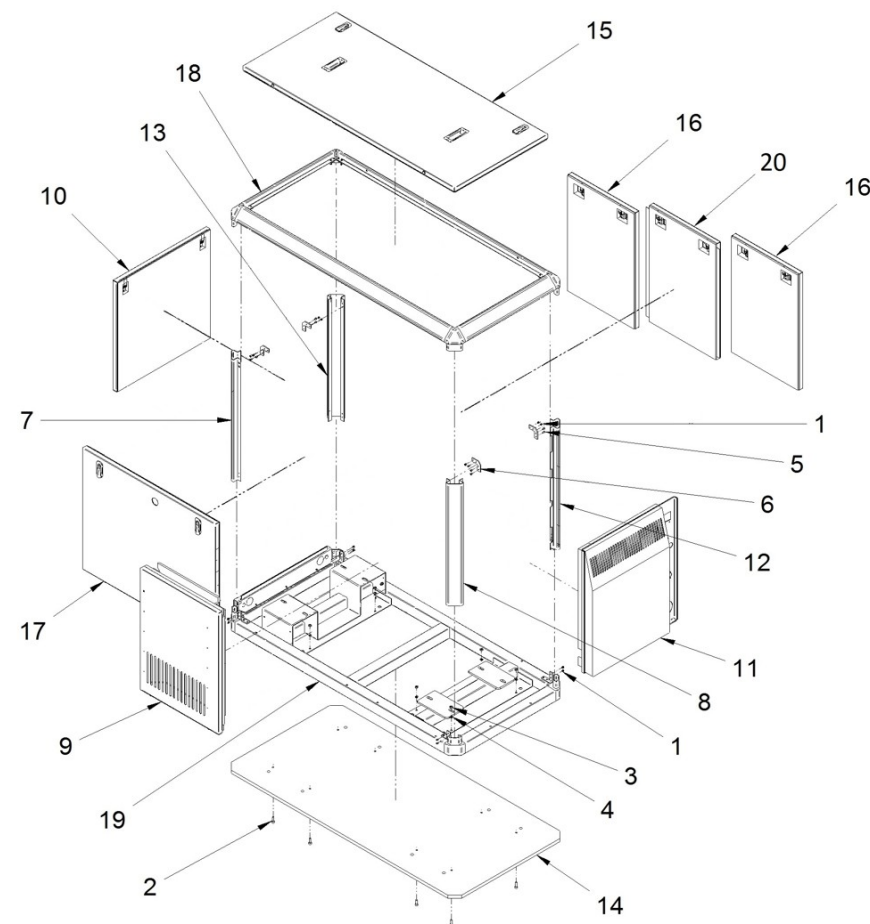
D_60574055.01 Chassis

Fig.	Ref.	Qty.	Descr.	Obs	From	UpTo
------	------	------	--------	-----	------	------

1	60574055.01	1	Genset Chassis			
---	-------------	---	----------------	--	--	--

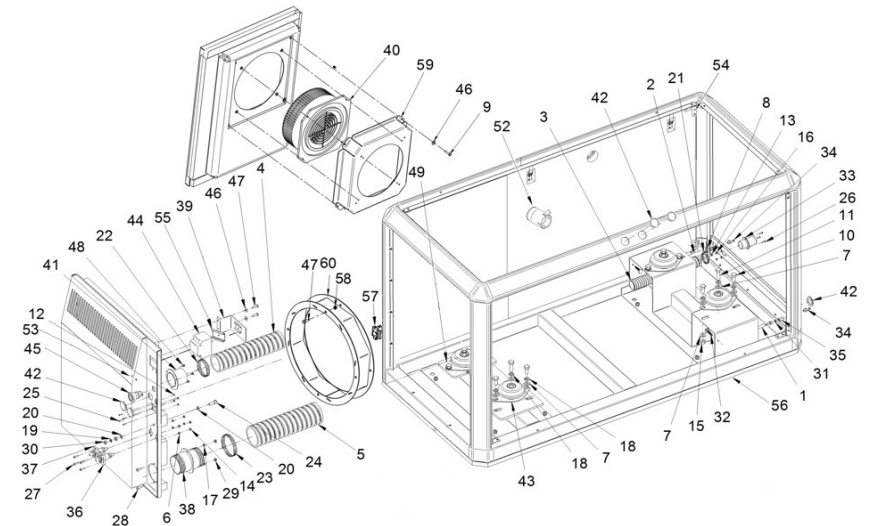


D_A1GU_4_1		Cabin			
Fig.	Ref.	Qty.	Descr.	Obs	From UpTo
1	51058054	16	Aluminium Rivet 4.0 X 10		
2	52103258	10	Bolt DIN 912 M8-25 8.8		
3	52120008	10	Nut DIN 934 M8 8.8		
4	53033008	10	Washer GROWER DIN 127-8		
5	53105104	8	Bolt DIN 7991 M5-10 12.9		
6	60573041.43	4	L Fastening Bracket		
7	60574054.03	1	VERTICAL BAR		
8	60574054.04	1	VERTICAL BAR		
9	60574054.22A	1	Air Output Panel		
10	60574054.24	1	Frontal Panel		
11	6057B041.25	1	Back Panel		
12	60574054.31	1	VERTICAL BAR		
13	60574054.32	1	VERTICAL BAR		
14	60574055.10	1	Cabin Base Board		
15	60574055.20	1	Upper Panel		
16	6057B041.21	2	Side Panel		
17	60574055.22B	1	Side Panel		
18	60574055.30	1	Upper Frame		
19	60574055.61	1	Bottom Frame		
20	6057B041.21A	1	Side Panel		

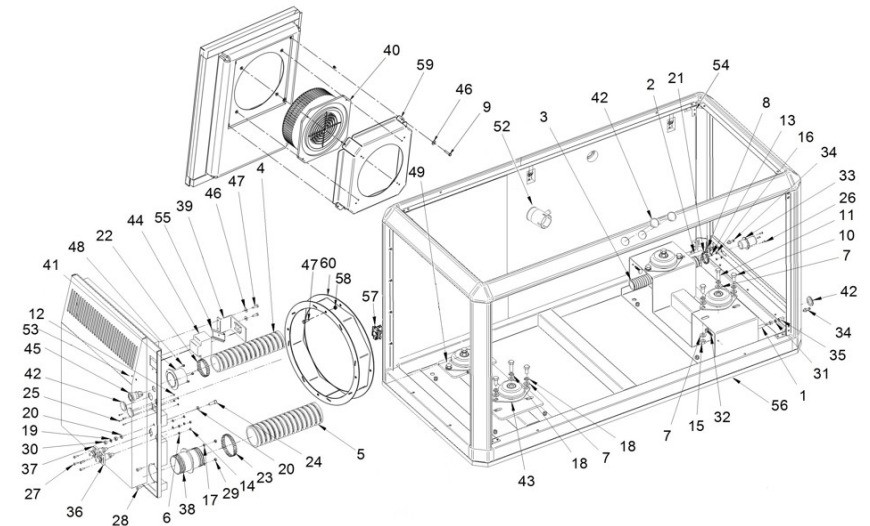


D_SM56GTST_09_2 Cabin Kit

Fig.	Ref.	Qty.	Descr.	Obs	From	UpTo
1	M80501006	1.0	Hose D.10-6			
2	M81510817	2.0	Fuel Hose D. 8-17			
3	M87503242	2.0	Water Intake Hose (HQ) D. 32-42			
4	M88506072	1	Exhaust Hose D. 60			04/03/2024
4	M88576300	1	Air Aspiration Hose D. 63		04/03/2024	
5	M88507587	1.0	Exhaust Hose D. 76			
6	51030005	4	Washer DIN 125-5			
7	51030012	25	Washer DIN 125-12			
8	51086015	2	One Ear Clamp With Interior Ring 13-15,3			
9	52102159	4	Bolt DIN 933 M6-30 8.8			
10	52102358	6	Bolt DIN 933 M12-25 8.8			
11	52102361	4	Bolt DIN 933 M12-40 8.8			
12	52120003	4	Nut DIN 934 M3 8.8			
13	52120004	3	Nut DIN 934 M4 8.8			
14	52120005	4	Nut DIN 934 M5 8.8			
15	52120012	12	Nut DIN 934 M12 8.8			
16	53033005	3	Washer GROWER DIN 127-5			
17	53033006	3	Washer GROWER DIN 127-6			
18	53033012	12	Washer Grower DIN 127-12			
19	53038008	6	Washer DIN 6798-A 8			
20	54030008	2	Washer DIN 125-8 INOX.			
21	54082025	2	Clamp DIN 3017 25-40/12 W4			
22	54083063	3	GP Clamp 63-68 W4 STC			
23	54083091	2	GP Clamp 85-91 W4 STC			
24	54103258	1	Bolt DIN 912 M8-25 INOX.			
25	54118004	4	Bolt DIN 7985 M3-10 INOX			
26	54118054	3	Bolt DIN 7985 M4-10 INOX			
27	54118106	4	Bolt DIN 7985 M5-16 INOX			
28	54118156	2	Bolt DIN 7985 M6-16 INOX			
29	54120006	3	Nut DIN 934 M6 INOX			
30	54120008	2	Nut DIN 934 M8			

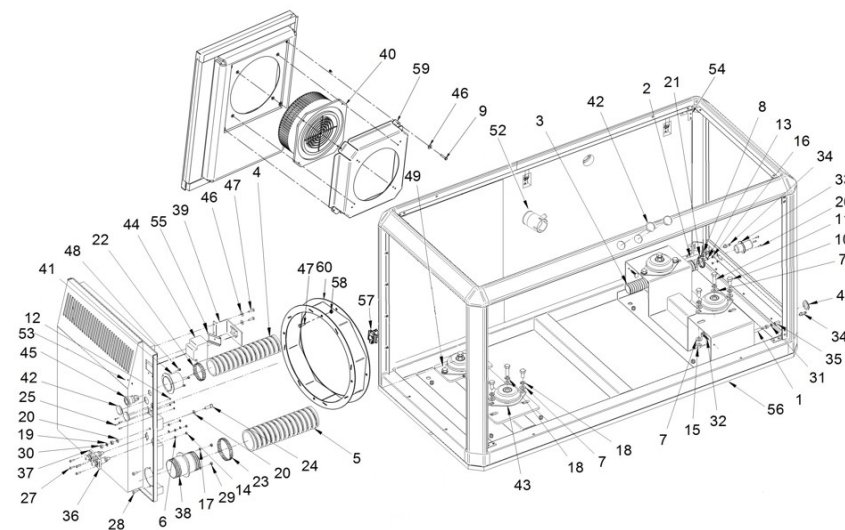


D_SM56GTST_09_2		Cabin Kit				
Fig.	Ref.	Qty.	Descr.	Obs	From	UpTo
31	57000361	2	Washer 10-14-1,5			
32	58018160	2	Screw			
33	60571015	1	Sea Water Wall PASS			
34	60571041.41	2	Gasoil Wall Bushing D.9 MALE			
35	60573041.39	2	ROD Coupling 1/8 BSP			
36	60573047	1	Battery Plug IN			
37	60573048	1	Battery Plug IN			
38	60574024	1	Exhaust Wall PASS 75			
39	60574043.42	1	Switch Disconnecter Bracket			
40	60574044.1	1	Fan HJEM 20 M4 (CASALS)			29/12/2021
40	6057B050	1	Centrifugal Fan PSB 230V		01/01/2022	
41	60574043.47	1	Air Connection D.60			
42	60900508	5	Shutter 31			
43	61674001	2	Engine Mount Type F 40 SHA M16 H 41			
43	61674004	2	Engine Mount Type F BRB 110 B50 SHA M16 H 41		14/04/2023	
44	60975086	1	Switch Disconnecter 125A 3 Poles			
45	60900510	1	Emergency Stop PUSH BOTTOM			
46	51031006	15	Washer DIN 9021 6			
47	52102157	16	Bolt DIN 933 M6-20 8.8			
48	51058054	22	Aluminium Rivet 4.0 X 10			
49	61674002	2	Engine Mount Type F 35 SHA M12 H 41			
49	61674005	2	Engine Mount Type F BRB 110 B50 SHA M12 H 41		14/04/2023	
50	52102461	2	Bolt DIN 933 M16-40 8.8			
51	51030016	2	Washer DIN 125-16			
52	17810011	1	PIPE JOIN			
53	60900509	4	Shutter 6			
54	60573041.43	4	L Fastening Bracket			
55	60573041.64	1	Switch Disconnecter Omega Bracket			
56	60574055.10	1	Cabin Base Board			
57	60900511	1	Stop PUSH BOTTOM Body			
58	51123006	4	Nut DIN 985 M6 5.6		01/01/2022	



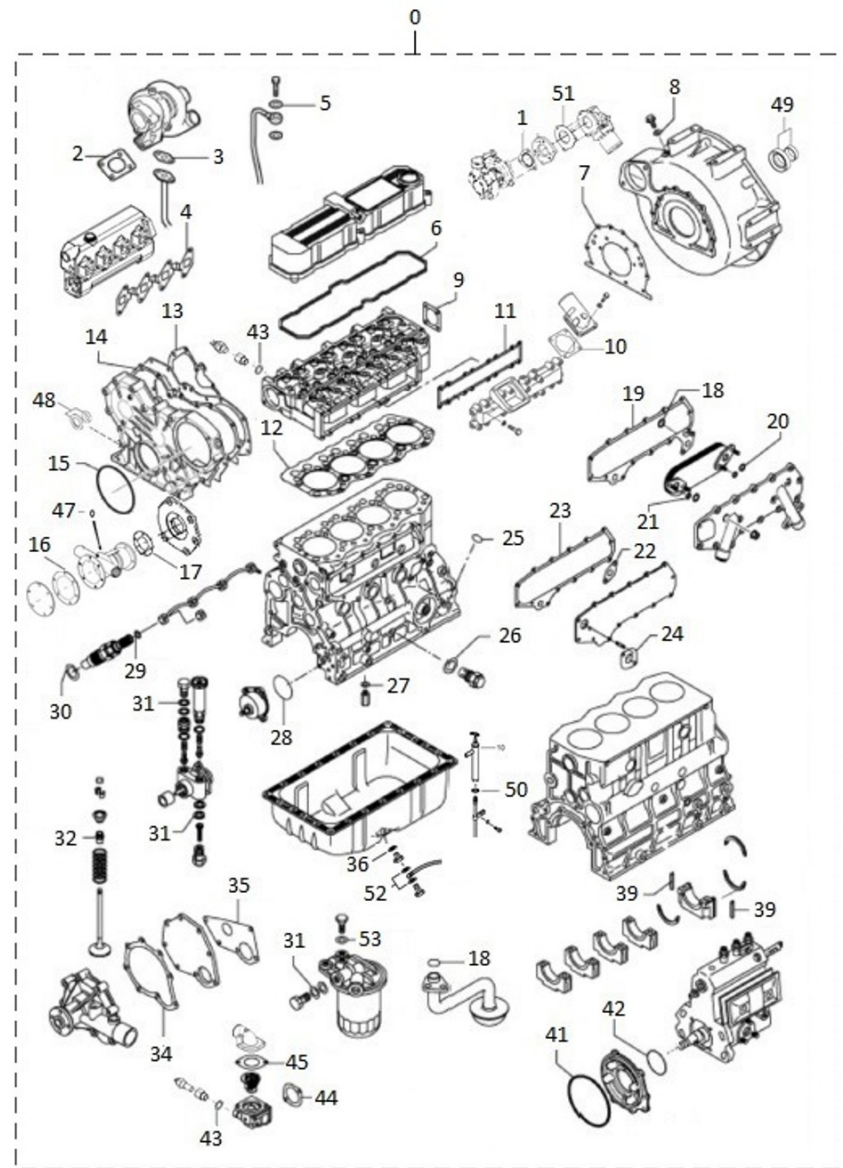
D_SM56GTST_09_2 Cabin Kit

Fig.	Ref.	Qty.	Descr.	Obs	From	UpTo
59	6057A041.23B	1	Air Outlet Aluminium Sheet Box		01/01/2022	
60	60575041.25G	1	Spacer Ring		01/01/2022	
NS	17821006	1	Hose			
NS	54081016	2	Clamp DIN 3017 16-27/9 W4			
NS	60972090	1	TER. PROTECTIVE 20 RED			
NS	60972091	1	TER. PROTECTIVE 20 BLACK			
NS	60974049	1	RED Battery POSITIVE Wiring			
NS	60974051	1	Sec. 35 Black 1,4 m Ter. 10/10 cable			
NS	60975073	1	CHASSIS 0,5 M. TO MOTOR Wiring GROUND			
NS	60975074	1	Panel Back 0,66 M. Wiring GROUND ALT.			
NS	60994045	1	Ter. Protective 32 Red			



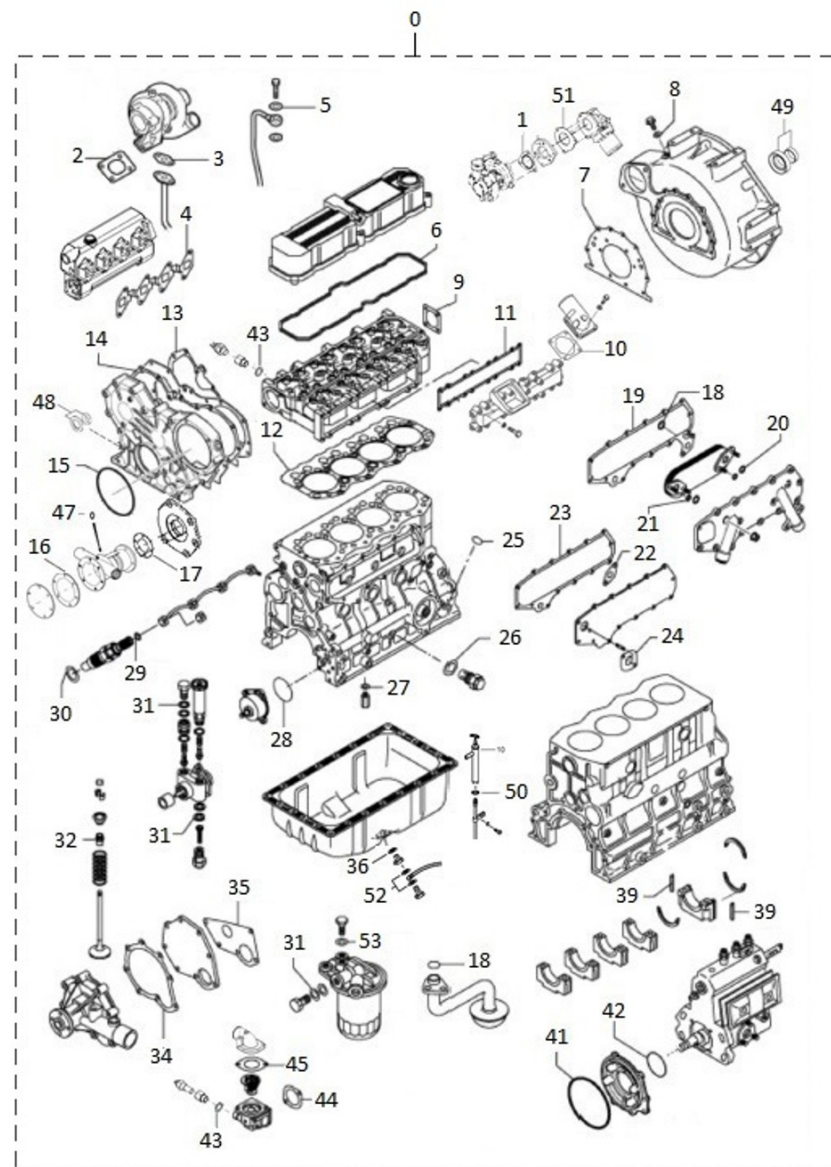
D_GU01_6_1 Gasket Kit

Fig.	Ref.	Qty.	Descr.	Obs	From	UpTo
0	17B10200	1	Gasket Kit, SM-56 Genset			
1	17421014	1	Gasket			
2	17420049	1	Gasket			
3	17524091	1	Gasket,Oil Pipe			
4	17421035	1	Gasket,Exhaust Manifold			
5	17124056	2	Gasket			
6	17421010	1	Rocker Cover Gasket			
7	17420025	1	Gasket,Rear			
8	17121013	1	Gasket			
9	17421011	1	Gasket			
10	17421042	2	Gasket			
11	17421032	1	Gasket IN.MANIFOLD			
12	17421004	1	Gasket,Cylinder Head			
13	17420018	1	Gasket,Front Plate			
14	17420040	1	Gasket,Gear			
15	17420047	1	O-Ring D. 140X2			
16	34711003	1	Gasket Cover			
17	13310013	1	Gasket,water pump			
18	17424060	3	O-Ring D. 22X2,4			
19	17822112	1	Gasket, Side Cover			
20	17520017	2	O-Ring D. 30X3,4			
21	17822115.1	4	O-Ring			
22	17421024	1	Gasket			
23	17424062.1	1	Gasket,Side Cover			
24	17420048	1	Gasket			
25	17120058	1	O-Ring D. 13X2,5			
26	17424063	1	Gasket			
27	17420017	1	Gasket			
28	17424055.1	1	O-Ring			
29	17424025G.1	4	Gasket Fuel Return (Genset)			
30	17024013	4	Gasket Nozzle			



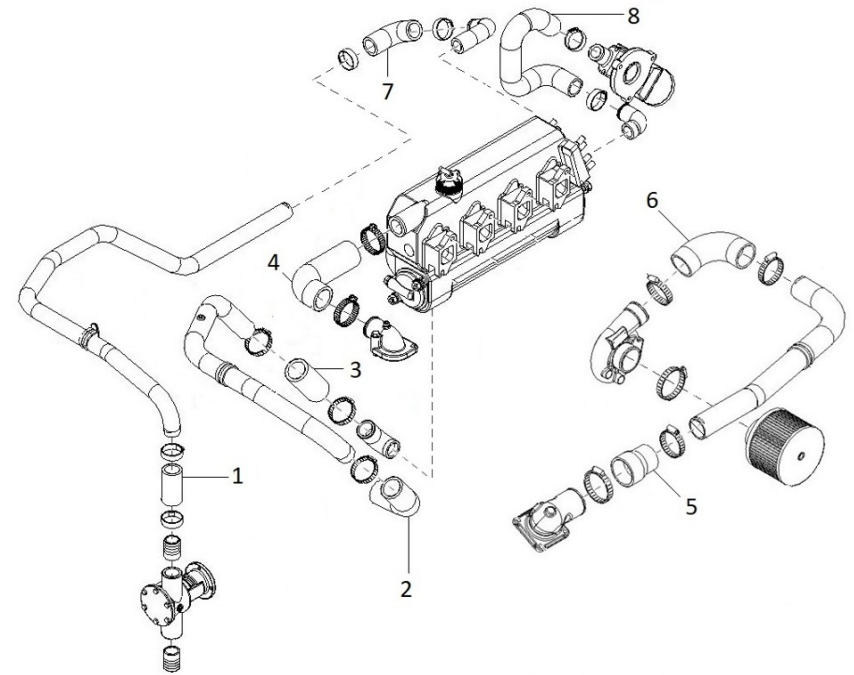
D_GU01_6_1 Gasket Kit

Fig.	Ref.	Qty.	Descr.	Obs	From	UpTo
31	17424008	10	Washer,SealING			
32	17422057	8	Seal, Valve Stem			
34	17421022G.1	1	Gasket, Pump Cover (Generator)			
35	17421041	1	Gasket,Side Cover			
36	17220031	1	Plug			
39	17420112	2	Seal,Valve			
42	17520075	1	O-Ring D. 75X25			
43	56000073	2	Copper Washer 16-23-1,5			
44	17421016G.1	1	Gasket(Generator)			
45	17111021	1	Gasket			
47	33311013	1	O-Ring D. 15X2			
48	17420039.1	1	Seal Assy,Oil			
49	13320063	1	Seal Oil			
51	17813016	1	Gasket			
53	13324011	1	Washer			



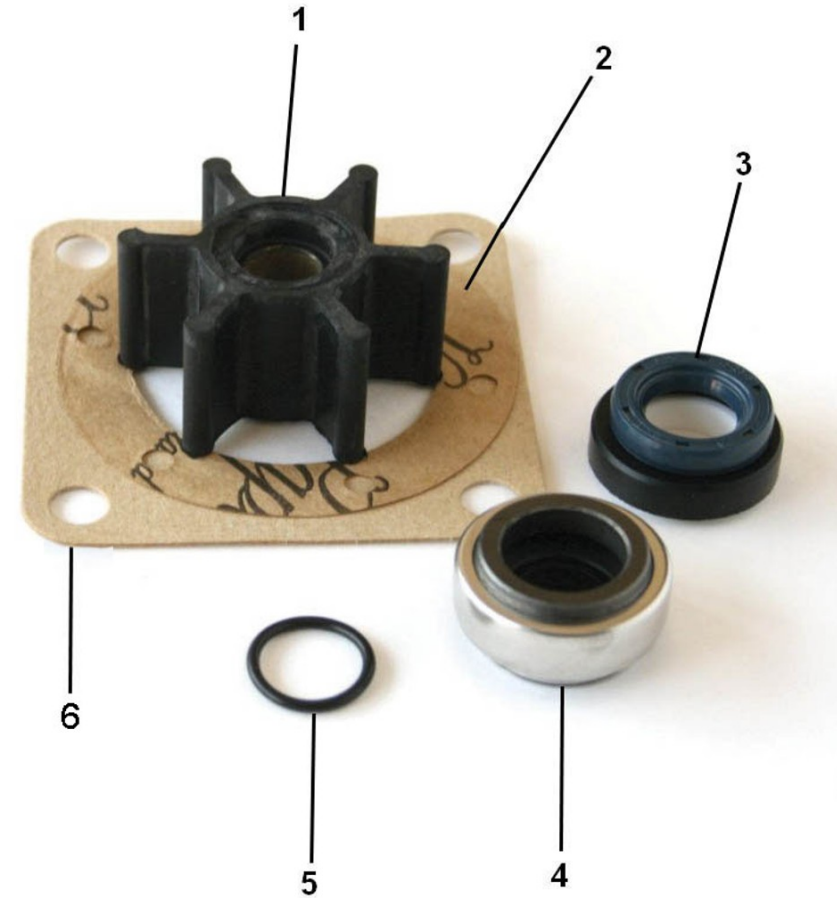
17B10100 Pipe Rubber Set, Water Line SM-56 Genset

Fig.	Ref.	Qty.	Descr.	Obs	From	UpTo
1	13611038	1	Pipe 30-40-75			
2	19411015	1	Elbow			
3	15211053	1	Pipe 38-50-100			
4	17411013	1	Thermostat Water Outlet Elbow			
5	17A10031	1	Silicone Hose Reducer D60-D50			
6	17B10030	1	Silicone Hose Straight Elbow			
7	17411035	1	Elbow Rubber			
8	17811034	1	Rubber Wet Exhaust Inlet Bend			



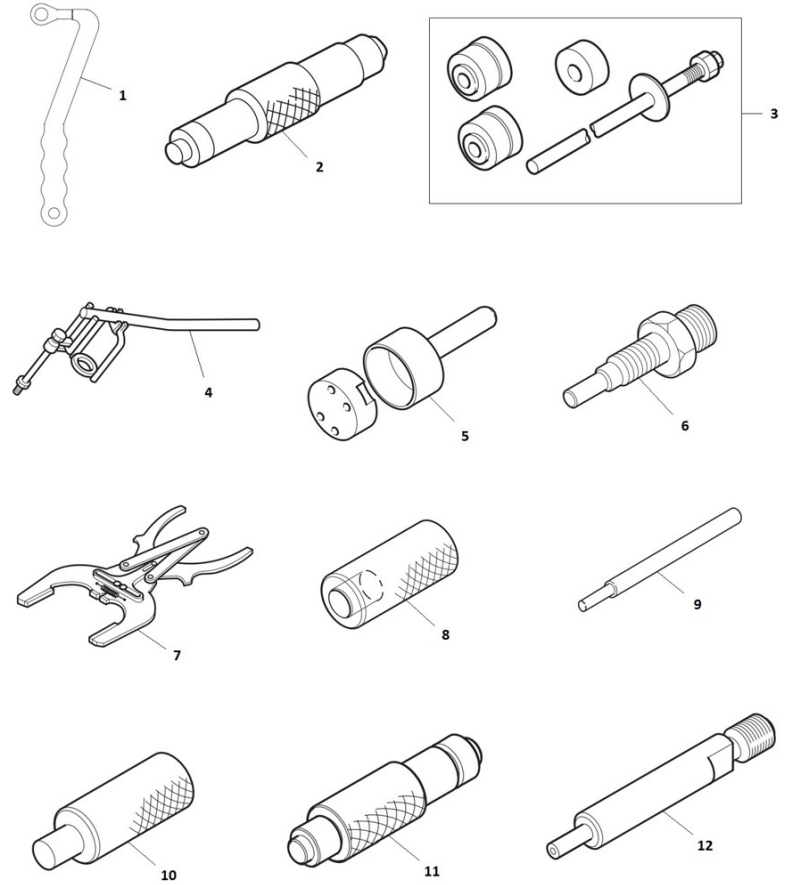
36511000K Repair Kit Water Pump 1"

Fig.	Ref.	Qty.	Descr.	Obs	From	UpTo
1	34711008	1	1" Impeller			
2	34711003	1	Gasket Cover			
3	36511020	1	Seal 16-30-7			
4	36511019	1	Seal			
5	33311013	1	O-Ring D. 15X2			
6	13310013	1	Gasket,water pump			



D_UTILFA0960_1 Special Tools

Fig.	Ref.	Qty.	Descr.	Obs	From	UpTo
1	13811063	1	Refrigerator Mounting Key			
2	U3009107300	1	Idler Bushing Installer			
3	U3069100010	1	Camshaft Bushing Installer Set			
4	U3069104500	1	Valve Spring Pusher			
5	U3069113010	1	Oil seal sleeve installer set			
6	U3069121100	1	Gauge Adapter			
7	UMM74007	1	Piston Ring Pliers			
8	U32A9100100	1	Valve Guide Installer			
9	U32A9100300	1	Valve Guide Remover			
10	U32A9100400	1	Oil Pump Bushing Installer			
11	U32A9100500	1	Connecting rod bushing puller			
12	U32A9101100	1	Gauge adapter (direct injection)			



D_UTILFA0960_2 Special Tools

Fig.	Ref.	Qty.	Descr.	Obs	From	UpTo
13	U32A9110200	1	Stem Seal Installer			
14	19440400.2	1	Compression Manometer 10-60 Bar			
15	U3449100200	1	Piston Installer			
16	U3449103020	1	Valve Sheet Insert Caulking Tool			
17	U3679100200	1	Valve Sheet Insert Caulking Tool			
18	UMH061077	1	Idler Shaft Puller			

