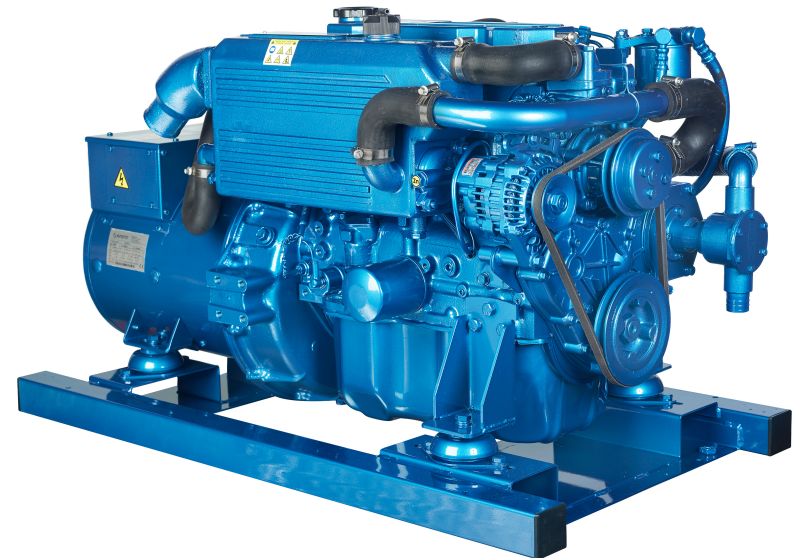




Genset 25 GT/GTC & 30 GTA/GTAC

VERSION 2023-8

SPARE PARTS MANUAL



PARTS LIST CATALOGUE

NORMS TO PLACE AN ORDER:

For fast and more efficient service, please specify the following information on spare parts orders that must be preferably done by FAX or e-mail as specified below:

- 1- Engine model: As shown in identification plate
- 2- Engine serial number: As shown in identification plate and stamped on crankcase
- 3- Item description + part number + quantity required

Spare parts requests must be addressed to:

recambios@solediesel.com

Telf.: +34 93 775 44 05

Fax: +34 93 775 30 13

The components shown in the catalog have:

- Figure: Number by which they are represented in scheme
 - Description: Trade name of the component
 - Quantity: Total number of parts used in the assembly of the part represented (may differ from the total minimum quantities)
- Hoses, indicates the total length in meters
-

The diagrams shown in this catalog of spare parts, have only the purpose to identify the piece in question, its representation is not meaningful and may differ from the actual piece.

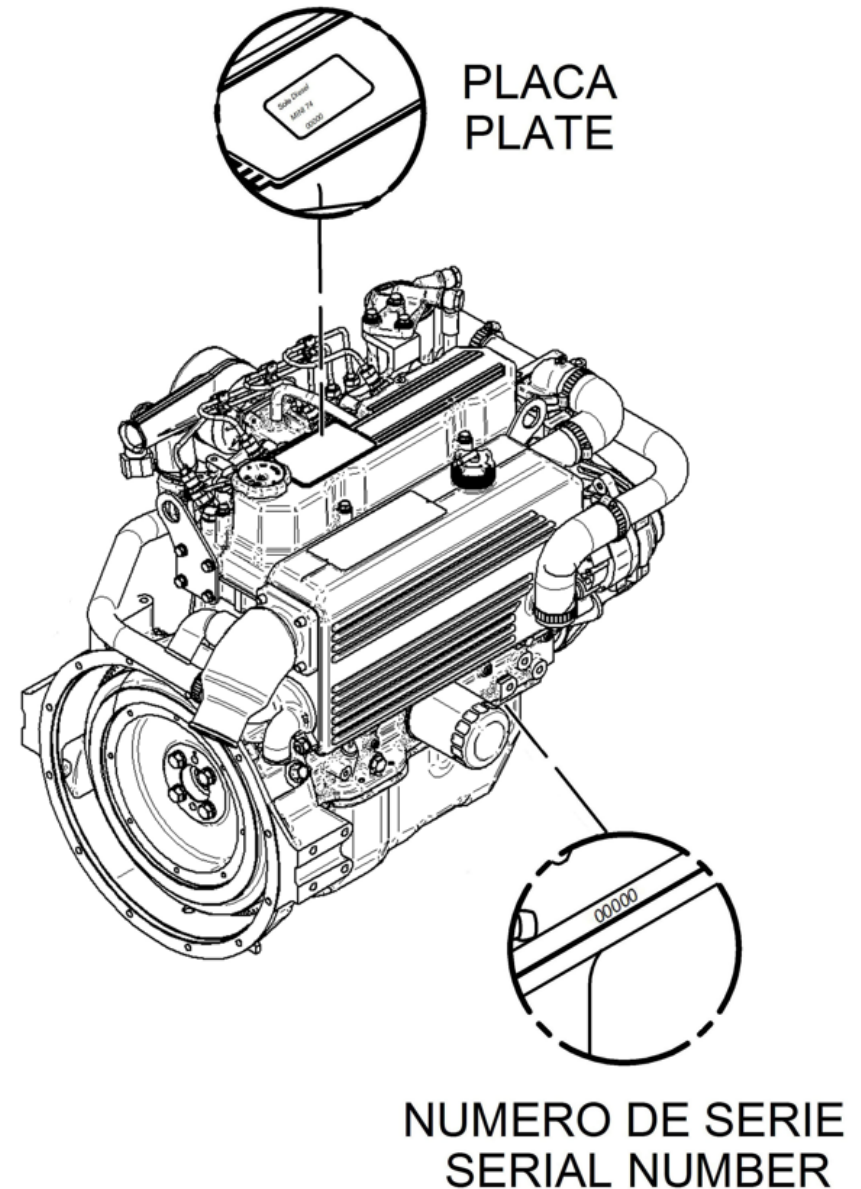
In case of doubt, contact Solé Diesel, or your authorized dealer.

The parts i / or references in this catalog are subject to change without notice.

SOLÉ S.A.

C-243b, Km, 2 - P.O. BOX 15
08760 Martorell (Barcelona) Spain

Download the latest version of this manual [HERE](#)



Engine Body

Cylinder Head
Rocker Cover & Breather
Valve Drive
Timing Parts
Gear Case
Crankcase
Flywheel Housing
Piston & Connecting Rod
Crankshaft & Flywheel
Oil System
Oil Pan
Engine Brackets

Inlet & Exhaust

Inlet

Cooling System

Water Pump
Cooler Pipes
Water Cooler Assy MINI-62
Body, Water Cooler And Cap
Cross Brace Pump from 74 to 616
Wet Exhaust

Fuel System

Fuel Pipe
Injection Nozzle
Fuel Injection Pump
Governor Parts
Parallel Actuator
Fuel Supply Parts
Feed Pump

Electrical System

Electrical System 12V
Electrical System 24V
Parallel Electrical System 12V
Parallel Electrical System 24V
Panels for Genset
Panel Components for Genset
Electrical Box for Parallel
Genset Extension
Parallel Genset Extension

Genset Alternator Spare Parts

Alternator 25 GT/GTC Y 30 GTA/GTAC
Alternator Spare Parts

Genset Alternator Kit

Tri. SINCRO Alt. Kit (S) ETR
Tri. SINCRO Alt. Kit (C) ETR

Chassis Spare Parts

Chassis

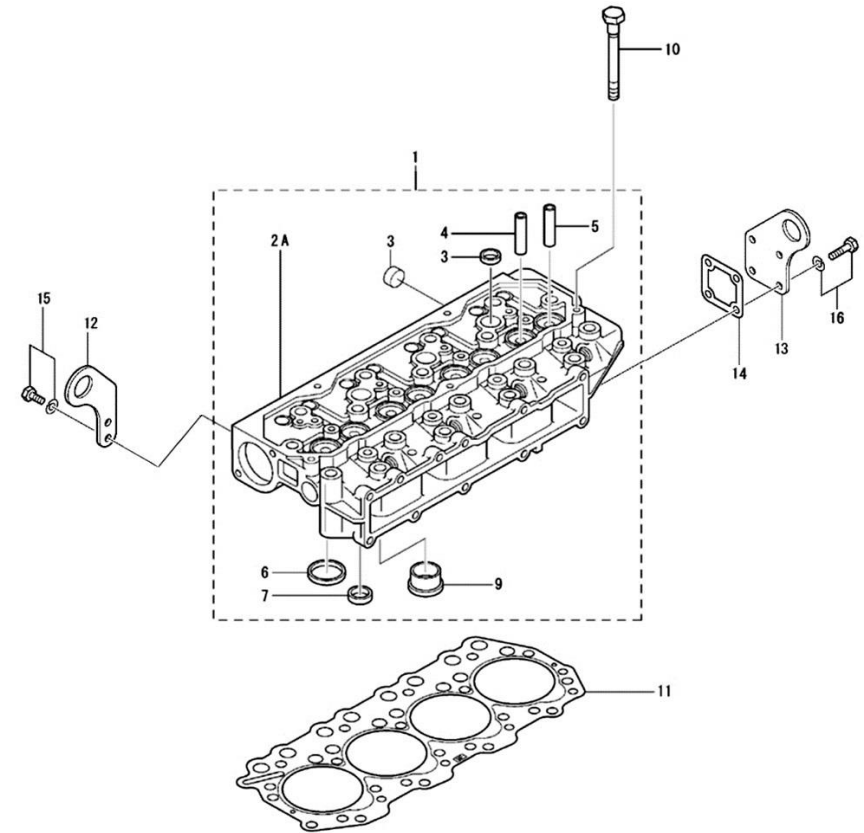
Canopy Spare Parts

Cabin
Kit Cabin

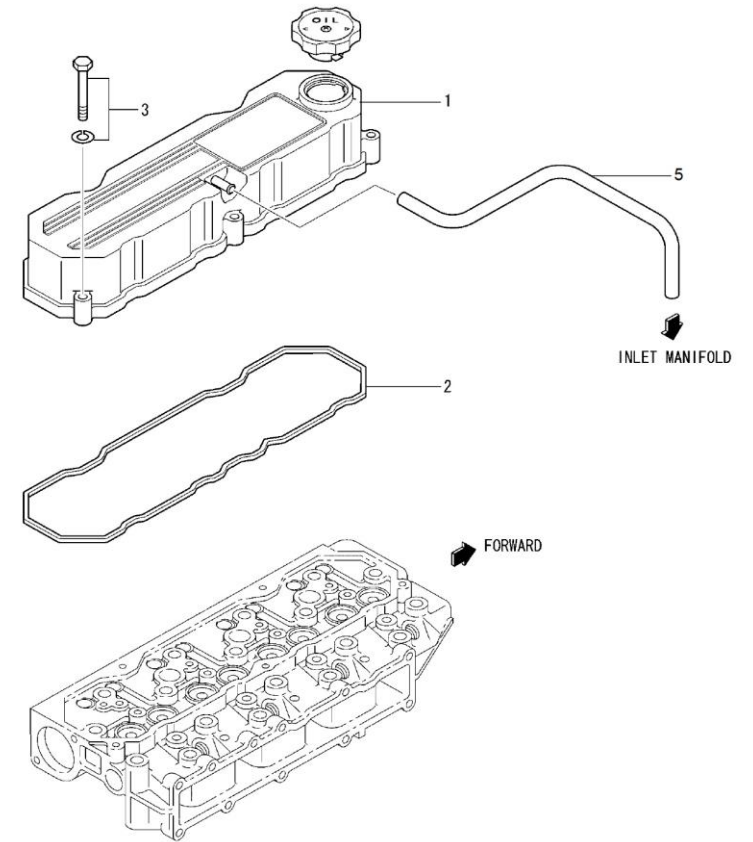
Maintenance Kit

Gasket Kit
Special Tools

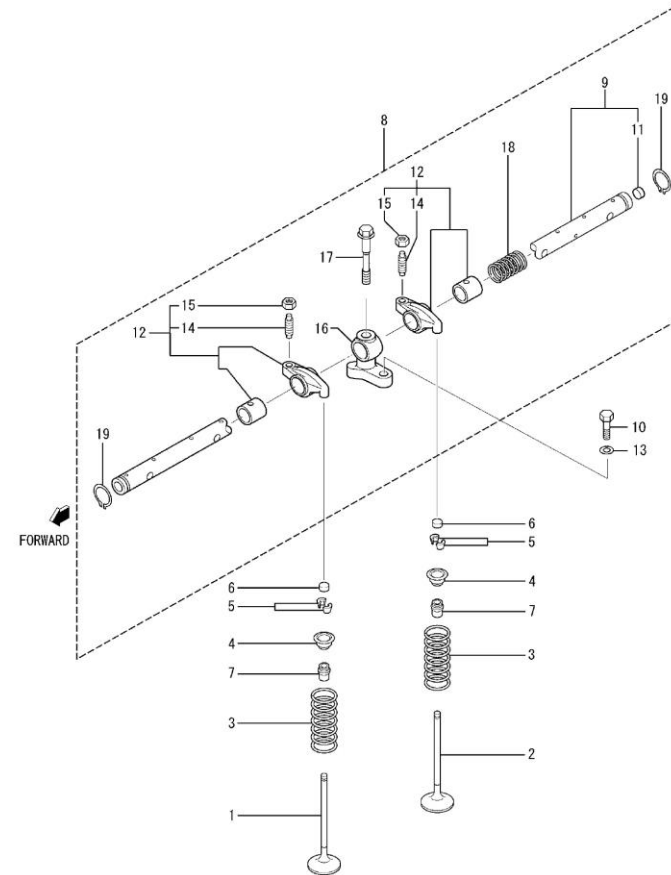
D_GK01_1_1		Cylinder Head				
FIG.	REF.	QTY	DESCR.	FROM	UPTO	
1	17121001G	1	Head Assy,Cylinder			
3	13220012	7	Cap Sealing			
4	17421002	4	Guide,Valve			
5	17121003	4	Guide, valve-Exhaust			
6	17121061	4	INSERT, in			
7	17121062	4	INSERT, exh.			
9	17121015G	4	JET,COMBUSTION			
10	17121005	18	Bolt,cylinder head			
11	17121004	1	Gasket, cyl.head			
12	17120014	1	EYE,LIFTING,Front			
13	17121018	1	EYE, lifting re			
14	17121011	1	Gasket, head			
15	17422037G.1	2	Bolt W/Washer (Generator)			
16	17721012	4	Bolt,W/Washer			



D_GK01_1_2		Rocker Cover & Breather				
FIG.	REF.	QTY	DESCR.	FROM	UPTO	
1	17121009	1	Cover Assy,Rocker			
2	17121010	1	Rocker Cover Gasket			
3	17421014G.1	5	Bolt W/Washer (Generator)			
4	13221003	1	Cap Oil FILLER			
5	17121006G	1	Hose BREATHER			

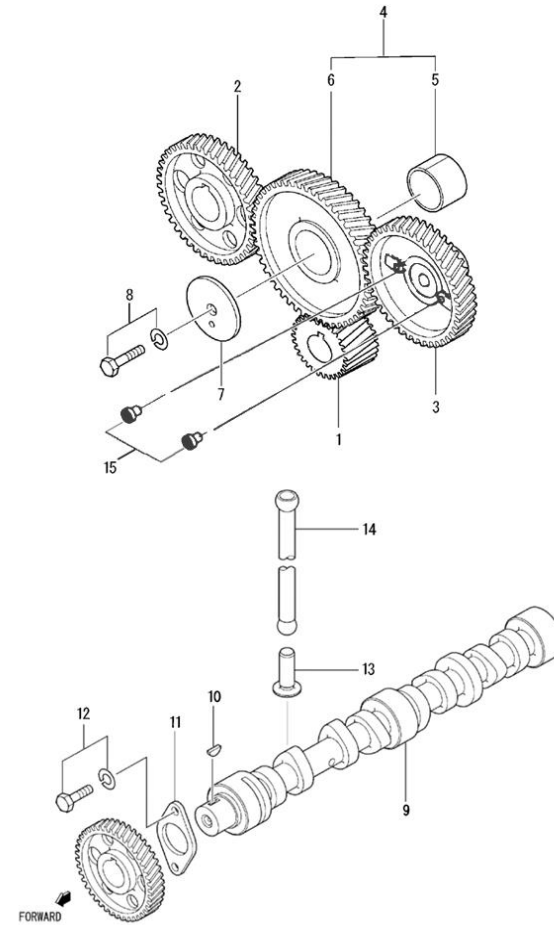


D_GK01_1_3		Valve Drive				
FIG.	REF.	QTY	DESCR.	FROM	UPTO	
1	17122055	4	Intake Valve			
2	17122056	4	Exhaust Valve			
3	13322028	8	Spring, valve outler			
4	17422058	8	Retainer, Upper			
5	17122059.1	16	Cotter, Valve			
6	13322024	8	Cap			
7	17122054	8	Seal, Valve Stem			
8	(*)	8	Not available [NP]			
9	17122046	1	Shaft, Assy rocker			
10	52102258	4	Bolt DIN 933 M8-25 8.8			
11	13322023	2	Cap, Sealing			
12	17122142	8	Rocker, Assy			
13	53033008	4	Washer GROWER DIN 127-8			
14	17122044	8	Screw Adjusting			
15	17122060	8	Nut			
16	17122048	4	Bracket, rocker			
17	17122053	4	Bolt			
17	17222053.5G	4	Bolt			
18	17422047G.1	3	Spring, Rocker			
19	53040019	2	CIRclip DIN 471 E-19 [NP]			



[NP] Not provided

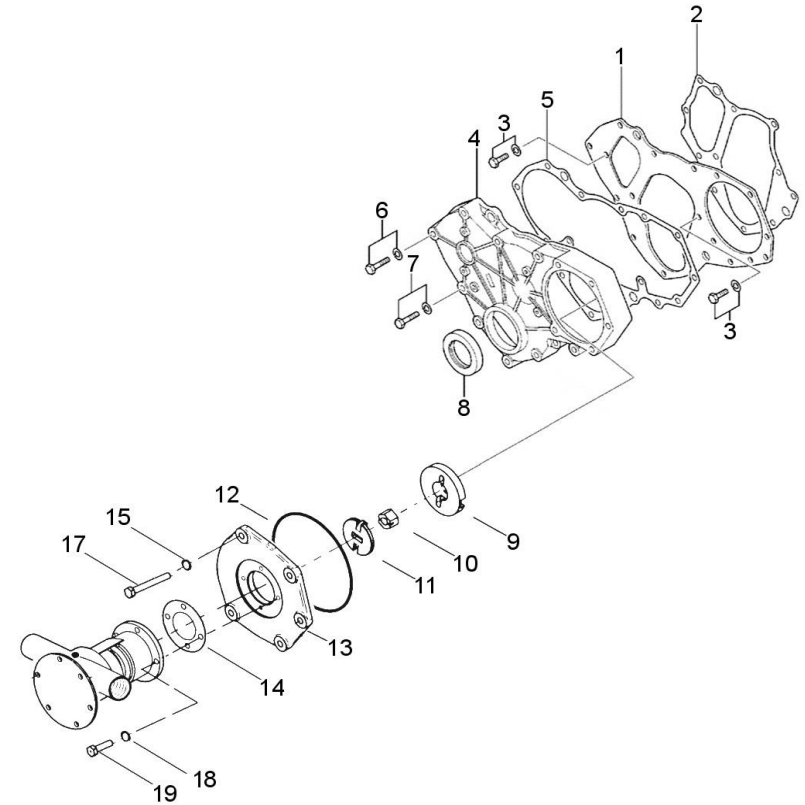
D_GK01_1_4		Timing Parts				
FIG.	REF.	QTY	DESCR.	FROM	UPTO	
1	17122019.1	1	Gear,CrankShaft			
2	17122037	1	Gear, camShaft			
3	60571031R	1	Pump gear (Spare part)			
4	17122038	1	Gear, Assy idler			
5	17122039	1	Bushing, idler			
6	(*)	1	Not available [NP]			
7	17122032	1	Plate, thrust			
8	17720010	1	Bolt,W/Washer			
9	17122035.1	1	CamShaft			
10	13322034	1	Key Woodruff			
11	17422075	1	Plate,THRUST			
12	17524058	2	Bolt,W/Washer			
13	17122061	8	Tappet			
14	17122041	8	Rod, push			



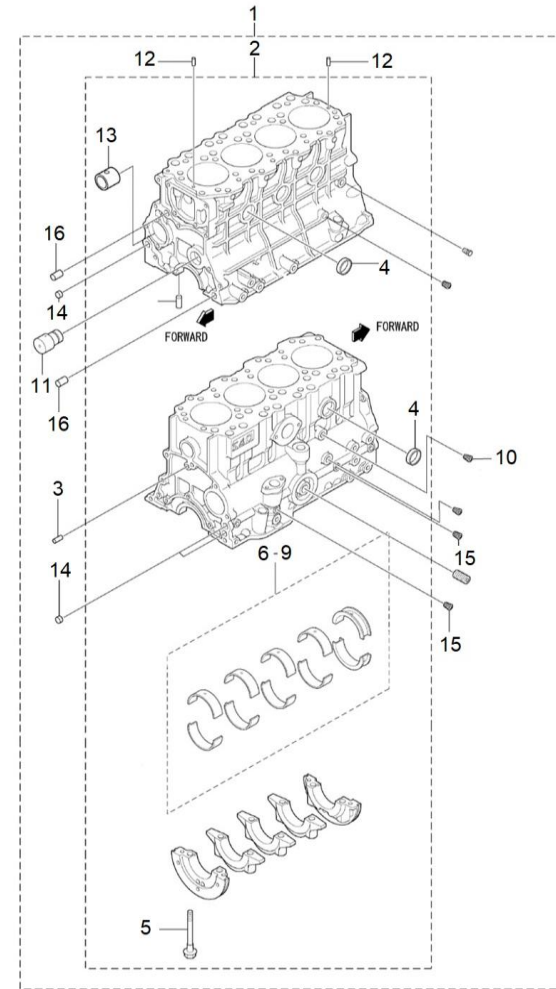
[NP] Not provided



D_GK01_1_5		Gear Case				
FIG.	REF.	QTY	DESCR.	FROM	UPTO	
1	17120024	1	Plate, front			
2	17120018	1	Gasket, front plate			
3	17524058	2	Bolt,W/Washer			
4	17120035G	1	Case,TIMING Gear			
5	17120040	1	Gasket, timing Gear			
6	17421014G.1	1	Bolt W/Washer (Generator)			
7	17121014G	8	Bolt, w/washer			
8	17120039	1	Seal, oil			
9	17411026	1	Coupling Drive			
10	52120012	1	Nut DIN 934 M12 8.8			
11	15310072	1	CrossHead Jaw Coupling			
12	17120042	1	Gasket,cover			
13	60571030	1	Water Pump Bracket			
14	13310013	1	Gasket,water pump			
15	53038008	5	Washer DIN 6798-A 8			
17	52101266	5	Bolt DIN 931 M8-65 8.8			
18	51030006	4	Washer DIN 125-6			
19	52103156	4	Bolt DIN 912 M6-16 8.8			



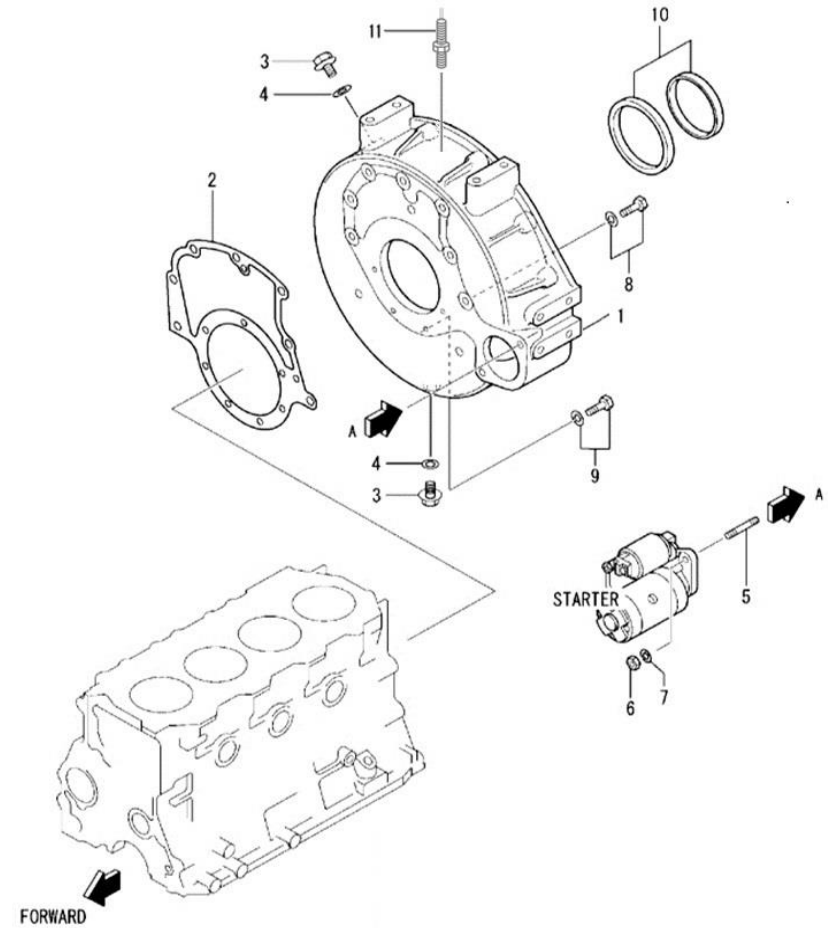
D_GK01_1_6 Cranckcase						
FIG.	REF.	QTY	DESCR.	FROM	UPTO	
1	17120001G	1	CRANKCase, Assy			
2	(*)	1	Not available [NP]			
3	17120026	4	Pin, dowel			
4	13320006	6	Cap, Sealing			
5	17120009	10	Bolt Bearing Cap			
6	17120003	1	Crankshaft Bearing Set			
7	17120004	1	METAL, main set -0.25			
8	17120005	1	METAL, main set -0.50			
9	17120006	1	METAL, main set -0.75			
10	17120021	1	Plug,taper			
11	17120034	1	Shaft, idler			
12	17120019	2	Pin, dowel			
13	17120013.1	1	Bushing,CamShaft			
14	17120012	3	Cap, SeallNG			
15	17820011	2	Plug, Tapered			
16	17420036	2	Pin,Dowel			



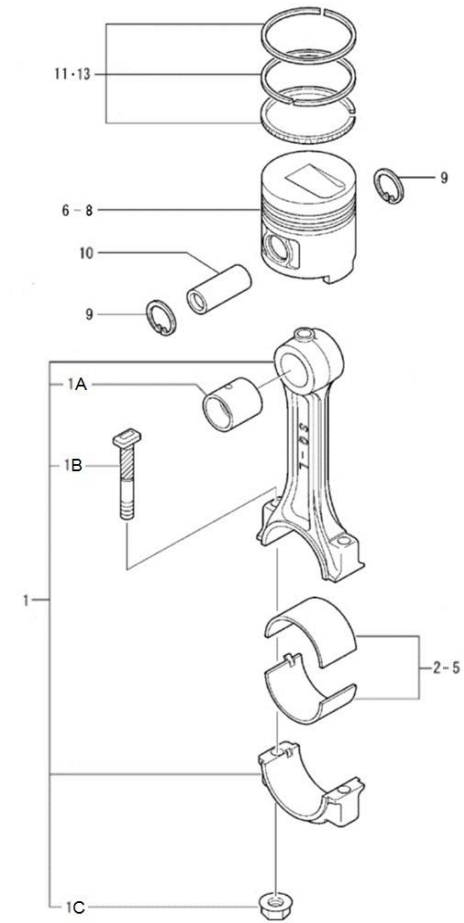
[NP] Not provided

D_GK01_1_7		Flywheel Housing				
FIG.	REF.	QTY	DESCR.	FROM	UPTO	
1A	17120002G	1	Housing,Flywheel			
<i>Figure A for Standard System</i>						
1B	17420007G.3	1	Flyweel Housing Pickup			
<i>Figure b for Parallel System</i>						
2	17120025	1	Gasket,rear			
3	17121016	2	Plug, drain			
4	17121013	2	Gasket			
5	17120044	2	Stud			
6	13127002	2	Nut			
7	53033010	2	Washer GROWER DIN 127-10			
8	17327129.2	7	Bolt			
9	17120062G	4	Bolt,w/washer			
10	13320063	1	Seal Oil			
11B	60972519	1	Magnetic Speed Sensor			

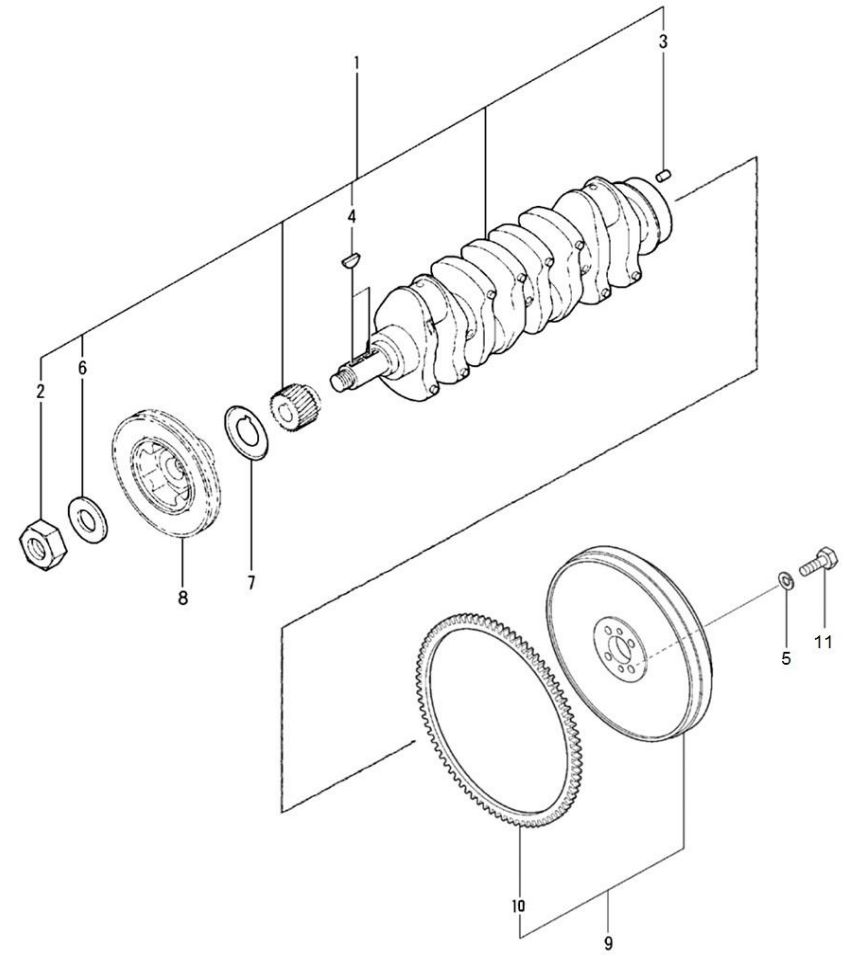
Figure b for Parallel System



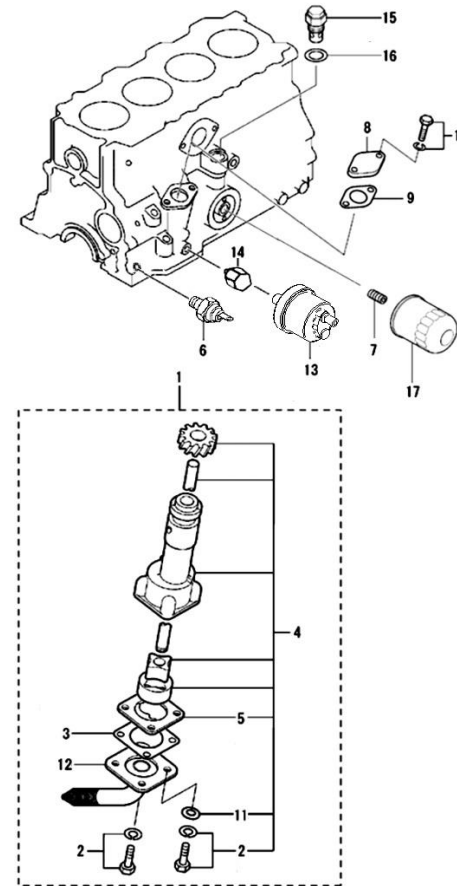
D_GK01_1_8		Piston & Connecting Rod				
FIG.	REF.	QTY	DESCR.	FROM	UPTO	
1	17122012G	4	ROD, Assy connecting			
1A	17122033	4	Bushing, con-rod			
1B	17122013	8	Bolt,connecting rod			
1C	17122011	8	Nut,connecting rod			
2	17422014	1	Bearing Set,Con-Rod,STD.			
3	17422015	1	Bearing Set,Con-Rod,U.S -0,25			
6	17122001G	4	Piston STD.			
7	17122002G	4	Piston +0.25			
8	17122003G	4	Piston +0.50			
9	53041028	8	CIRclip DIN 472 I-28			
10	17122009	4	Pin, piston			
11	17122006	1	Ring,Set Piston STD.			
12	17122007	1	Ring,set piston o.s 0.25			
13	17122008	1	Ring, set piston o.s 0.50			



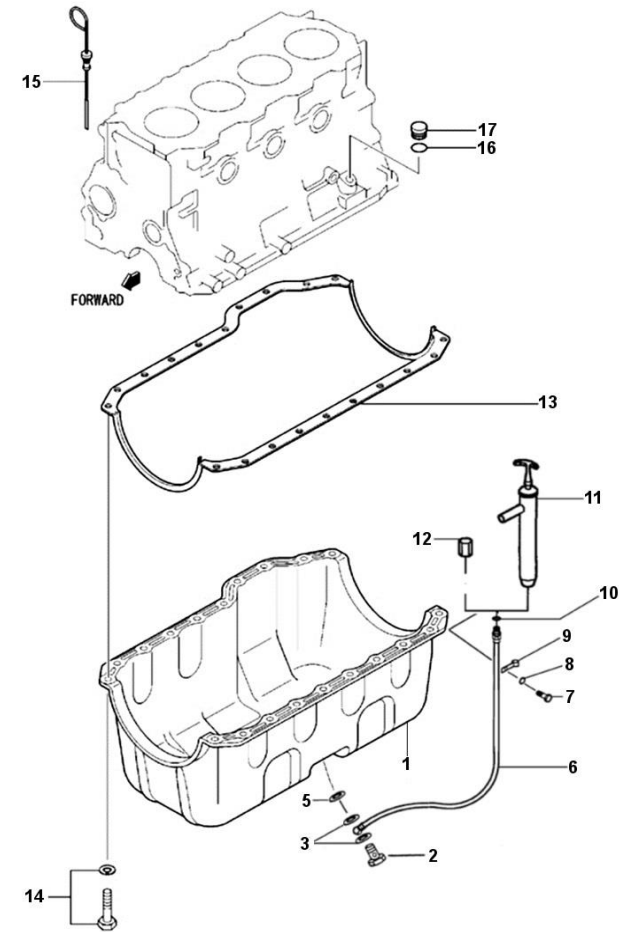
D_GK01_1_9		Crankshaft & Flywheel				
FIG.	REF.	QTY	DESCR.	FROM	UPTO	
1	17122018G	1	CrankShaft, Assy			
2	17122026	1	Nut, jam			
3	13322059	2	Pin			
4	13322034	2	Key Woodruff			
5	53033012	4	Washer Grower DIN 127-12			
6	17122023	1	Washer			
7	17122025	1	Plate			
8	17122024G	1	Pulley CrankShaft			
9	17122027G	1	Flywheel, Assy			
10	17122029	1	Gear, ring			
11	13322065	4	Bolt			



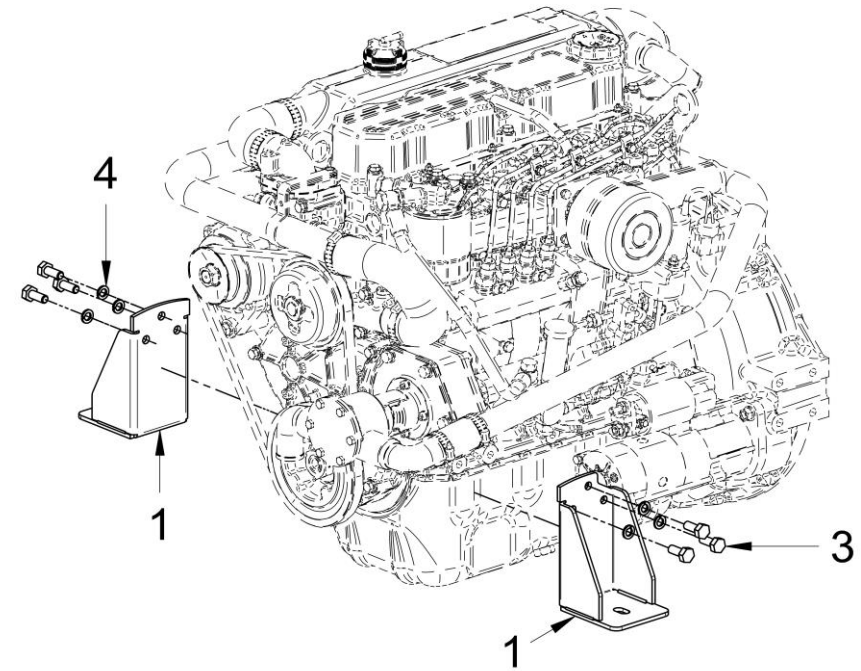
D_GK01_1_10		Oil System				
FIG.	REF.	QTY	DESCR.	FROM	UPTO	
1	17124042	1	Pump Assy,oil		15/06/2016	
2	52102157	4	Bolt DIN 933 M6-20 8.8	15/06/2016		
3	17124041	1	Gasket,STrainer	15/06/2016		
4	17124046	1	Pump, Assy oil	15/06/2016		
5	17124061	1	Cover	15/06/2016		
6A	17427027G	1	SWITCH,Oil Pressure (Generator)			
<i>Figure A for Standard System</i>						
6B	60900979	1	Earth Isolated Oil Press Switch 0.5 Bar M10x1 SG			
<i>Figure b for Parallel System</i>						
7	17124047	1	Shaft,oil filter	15/06/2016		
8	17120037G	1	Cover	15/06/2016		
9	17120041	1	Gasket	15/06/2016		
10	17421012G.1	2	Bolt W/Washer (Generator)	15/06/2016		
11	17427004G	2	Washer,Plain	15/06/2016		
12	17124052	1	STrainer, oil	15/06/2016		
13A	60900985	1	Pressure Sensor			
<i>Figure A for Standard System</i>						
13B	60900990	1	Sender, Oil Press 10 Bar Bipolar + Washer			
<i>Figure b for Parallel System</i>						
14	17117052	1	Oil Pressure Sensor Adaptor	15/06/2016		
15	17124072	1	Valve, Assy			
16	17424063	1	Gasket	15/06/2016		
17	13924051	1	Oil Filter Element MINI-62	15/06/2016		



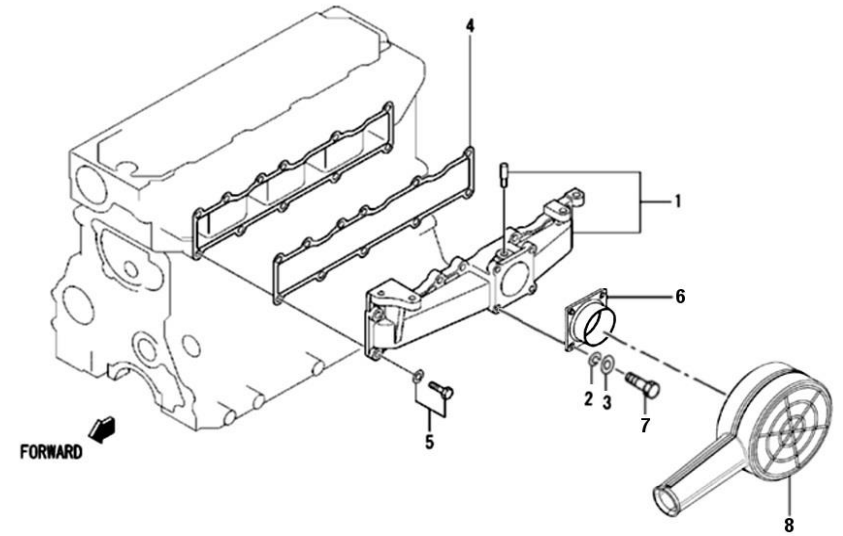
D_GK01_1_11		Oil Pan				
FIG.	REF.	QTY	DESCR.	FROM	UPTO	
1	17120030G	1	PAN, Assy oil			
2	12814051	1	Screw,eye			
3	56000069	2	Washer 14-20-1,5			
5	17120074	1	Gasket			
6	17114021	1	Extraction Hose			
7	52102358	1	Bolt DIN 933 M12-25 8.8			
8	53033010	1	Washer GROWER DIN 127-10			
9	17214022	1	Bracket, Pipe			
10	56000067	1	Washer 13-20-1,5			
11	14714001	1	Oil Extraction Pump			
12	16514020	1	Plug			
13	17120033	1	Gasket,oil pan			
14	17524058	20	Bolt,W/Washer			
15	17120029	1	Gauge Oil LEVEL			
16	17120058	1	O-Ring D. 13X2,5			
17	17120059	1	Plug			



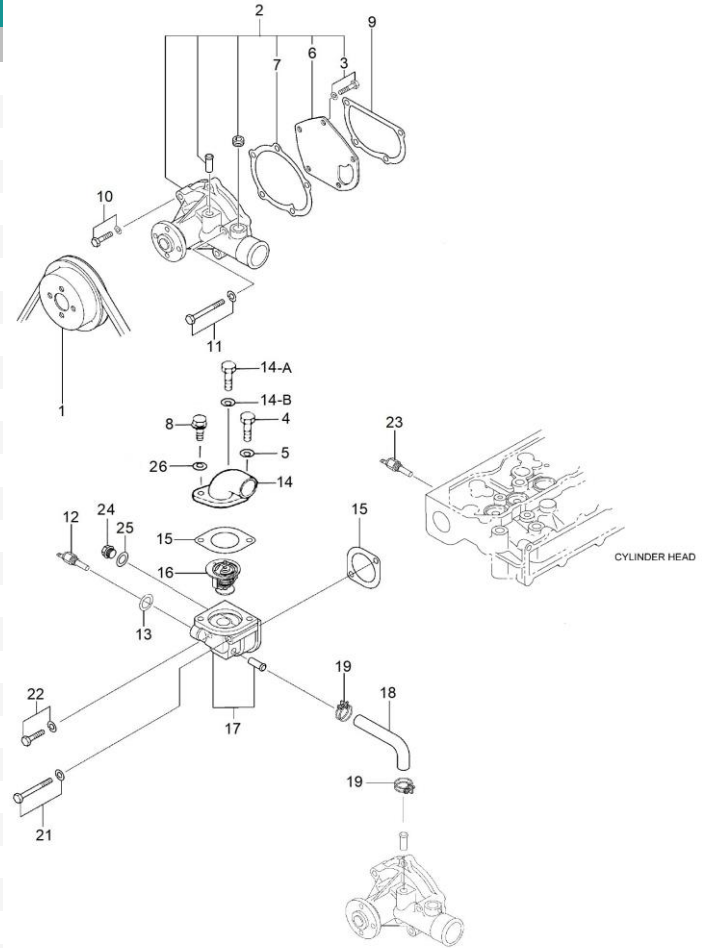
D_GK01_1_12		Engine Brackets				
FIG.	REF.	QTY	DESCR.	FROM	UPTO	
1	17110002G	2	Front Bracket			
3	52202307	6	Bolt DIN 933 M10-1,25-20 8.8			
4	53033010	6	Washer GROWER DIN 127-10			



D_GK01_2_1		Inlet				
FIG.	REF.	QTY	DESCR.	FROM	UPTO	
1	17121030	1	Manifold, Assy inlet			
2	53033006	4	Washer GROWER DIN 127-6			
3	51030006	4	Washer DIN 125-6			
4	17121032	1	Gasket, in manifold			
5	17721012	11	Bolt,W/Washer			
6	60571032	1	Air Intake Cover			
7	52102156	4	Bolt DIN 933 M6-16 8.8			
8	13810074	1	Air Filter			



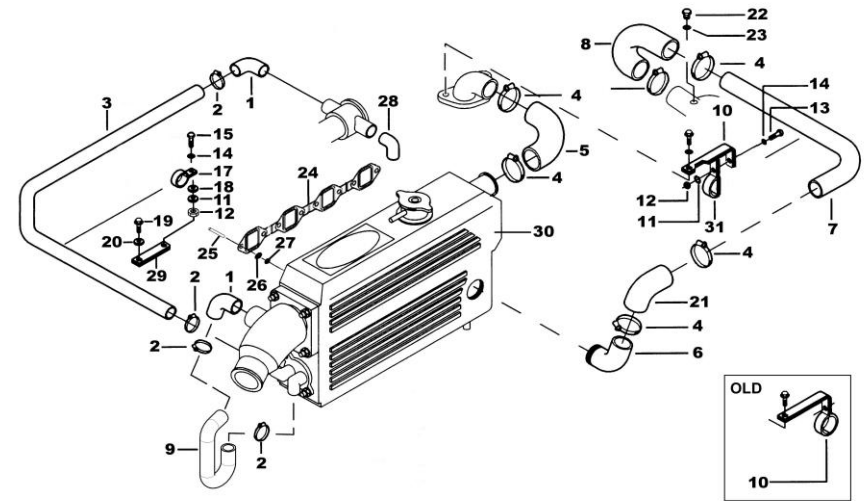
D_GK01_3_1 Water Pump						
FIG.	REF.	QTY	DESCR.	FROM	UPTO	
1	17121021	1	Pulley,Water Pump			
2	17121020G	1	Pump, Assy water			
3	17121012	1	Bolt, w/washer			
4	52101263	1	Bolt DIN 931 M8-50 8.8			
5	53038008	1	Washer DIN 6798-A 8			
6	17121042	1	Cover, water pump			
7	17121022	1	Gasket Water Pump			
8	17121060	1	Bolt			08/02/2023
8	52102259	1	Bolt DIN 933 M8-30 8.8	08/02/2023		
9	17121041	1	Gasket			
10	17421014G.1	3	Bolt W/Washer (Generator)			
11	17121039G	1	Bolt, w/washer			
12A	60900980	1	Temperature Sensor			
<i>Figure A for Standard System</i>						
12B	60900983	1	Bipolar Temperature Sender SG			
<i>Figure b for Parallel System</i>						
13	56000073	1	Copper Washer 16-23-1,5			
14	17111020	1	Fitting,water outlet			
14A	13811035	1	Bolt,bleed			
14B	56000053	1	Washer 6-10-1,5			
15	17111021	2	Gasket			
16	17121027	1	Thermostat			
17	17421037	1	Case Assy,Thermostat			
18	17121025	1	Hose, by-pass			
19	17121036	2	Clamp, hose			
21	17421019G.1	1	Bolt,W/Washer (Generator) [NP]			
22	17421038	1	Bolt,W/Washer			
23A	174270802	1	Temperature Switch			
<i>Figure A for Standard System</i>						
23B	60900973	1	High Coolant, 2 Poles 95° SG			
<i>Figure A for Standard System</i>						
24	17121016	1	Plug, drain			
25	17121013	1	Gasket			
26	53033008	1	Washer GROWER DIN 127-8	08/02/2023		



[NP] Not provided

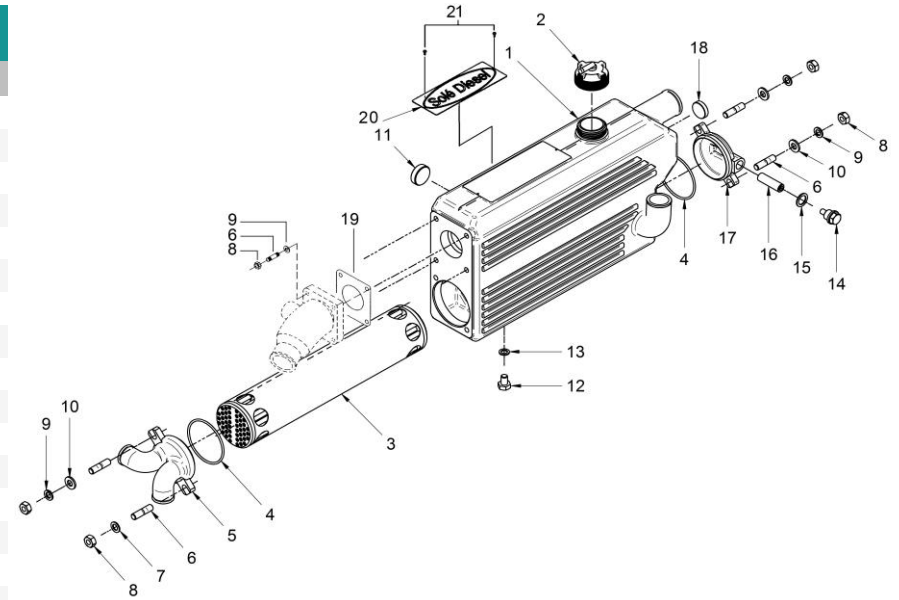


D_GK01_3_2		Cooler Pipes				
FIG.	REF.	QTY	DESCR.	FROM	UPTO	
1	14711021	2	Elbow N°1			
2	54082025	8	Clamp DIN 3017 25-40/12 W4			
3	M87503242	1	Water Intake Hose (HQ) D. 32-42			
4	54082032	6	Clamp DIN 3017 32-50/12 W4			
5	17111022	1	Elbow			
6	17111011	1	Elbow 1 1/8"			
7	17011022	1	Pipe,from cooler to engine			
8	16711016	1	Rubber Elbow			
9	16111012	1	Hose			
10	17111029	1	Bracket Clamp		23/01/2023	
10	17511014	1	Bracket	23/01/2023		
11	53033006	2	Washer GROWER DIN 127-6			
12	52120006	1	Nut DIN 934 M6 8.8			
13	52102156	1	Bolt DIN 933 M6-16 8.8			
14	51030006	2	Washer DIN 125-6			
15	52102157	1	Bolt DIN 933 M6-20 8.8			
17	59071452	1	Clamp 1 42/15 W1			
18	51031006	1	Washer DIN 9021 6			
19	52202307	1	Bolt DIN 933 M10-1,25-20 8.8			
20	53033010	1	Washer GROWER DIN 127-10			
21	15211026	1	Elbow,rubber			
22	12111076	1	Plug			
23	56000073	1	Copper Washer 16-23-1,5			
24	17121035	1	Gasket, Exhaust Manifold			
25	13311006	8	Stud,cover			
26	17120049	8	Nut M8			
27	51030008	8	Washer DIN 125-8			
28	60180007	1	Outlet Coupling			
29	13817011	1	Bracket			
30	17111000GR	1	Water Cooler Assy MINI-62 (Spare Part)			
31	59071383	1	Clamp TYP.1 38/15 W1	23/01/2023		

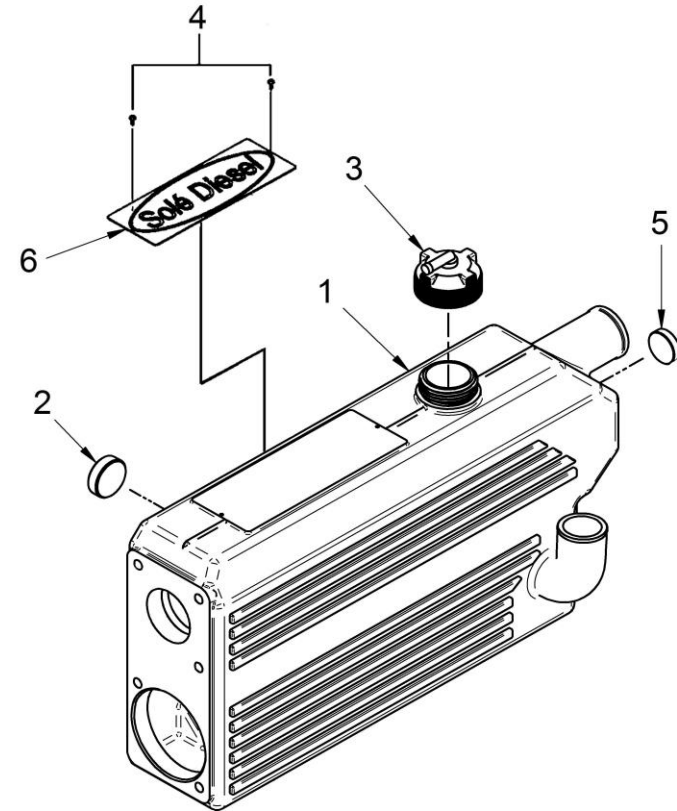




D_17111000R		Water Cooler Assy MINI-62			
FIG.	REF.	QTY	DESCR.	FROM	UPTO
1	17111001	1	Body, Water Cooler		
2	13811010	1	Cap		
3	17111004	1	Tubular Bundle		
4	18011008	2	O-Ring D. 72X3		
5	18011003	1	Water Cooler Cover		
6	16511007	8	Stud		
7	51035010	1	Washer DIN 433 10		
8	52120010	8	Nut DIN 934 M10 8.8		
9	53033010	8	Washer GROWER DIN 127-10		
10	51030010	3	Washer DIN 125-10		
11	16513004	1	Plug 1"		
12	54102306	1	Bolt DIN 933 M10-16 INOX.		
13	56000061	1	Washer 10-16-1,5		
14	18011009	1	Anode Plug		
15	56000073	1	Copper Washer 16-23-1,5		
16	18011031	1	Engine Anode 45 mm M.8		
17	18011002	1	Water Cooler Cover		
18	12113092	1	Plug		
19	17113016	1	Gasket		
20	17111060	1	Plate "SOLE Diesel"		
21	17111062	2	Bolt		

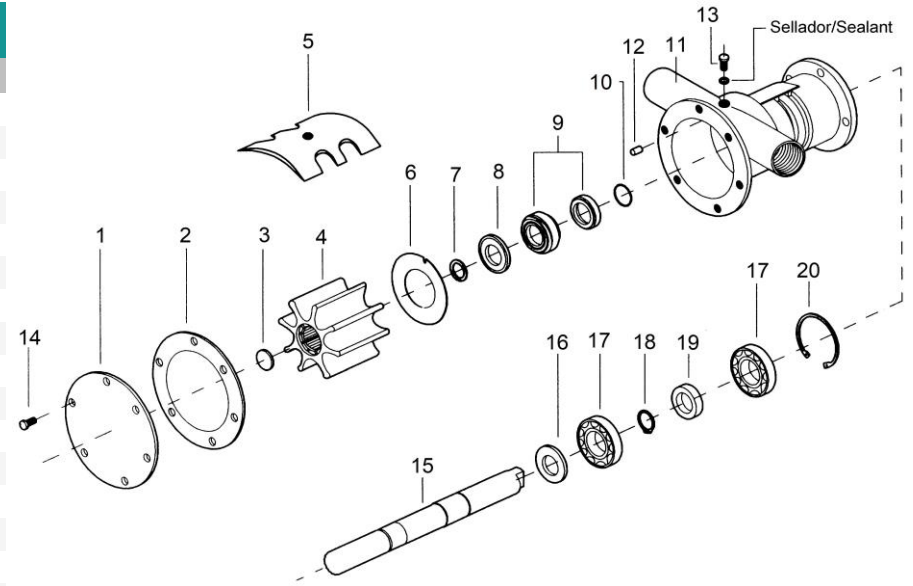


17111001C Body, Water Cooler And Cap						
FIG.	REF.	QTY	DESCR.	FROM	UPTO	
1	17111001	1	Body, Water Cooler			
2	16513004	1	Plug 1"			
3	13811010	1	Cap			
4	17111062	2	Bolt			
5	12113092	1	Plug			
6	17111060	1	Plate "SOLE Diesel"			

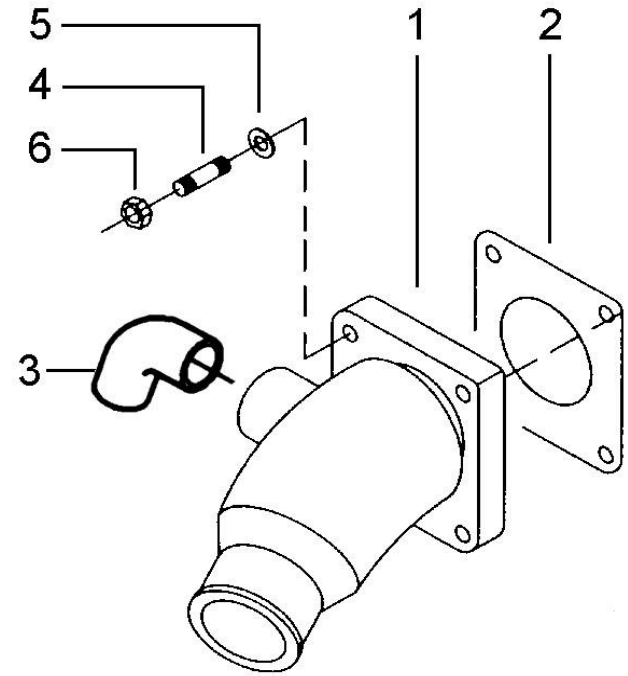




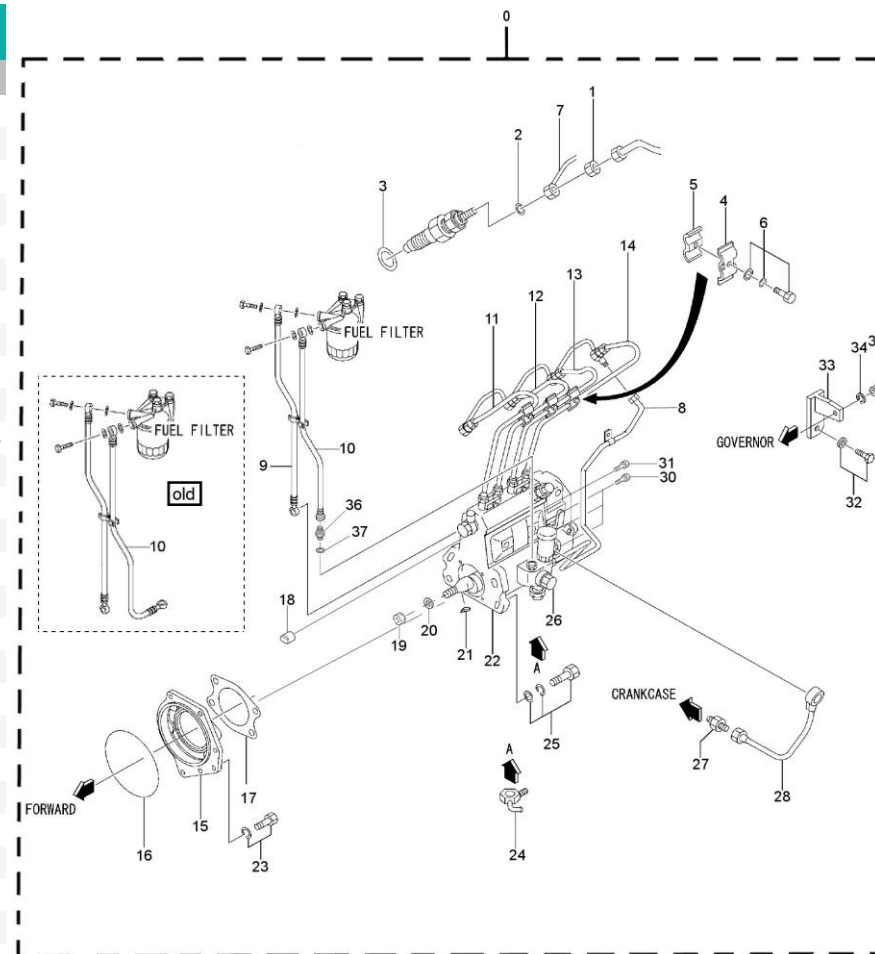
36511000		Cross Brace Pump from 74 to 616			
FIG.	REF.	QTY	DESCR.	FROM	UPTO
1	34711002	1	Cover Pump		
2	34711003	1	Gasket Cover		
3	34711041	1	Impeller Plug		
4	34711008	1	1" Impeller		
5	34711005	1	Cam		
6	34711026	1	Plate,Friction		
7	54040016	1	CIRClip E-16		
8	36511018	1	Washer,seal		
9	36511019	1	Seal		
10	33311013	1	O-Ring D. 15X2		
11	36511001	1	Body,water pump		
12	36511017	1	Pin,Dowel		
13	54108154	1	Bolt DIN 84 M6-10		
14	54102154	6	Bolt DIN 933 M6-10 INOX		
15	36511010	1	Shaft,pump		
16	36511015	1	Spacer 17X24X7		
17	33311014	2	Ball Bearing 6203		
18	53040017	1	Circlip DIN 471 E-17		
19	36511020	1	Seal 16-30-7		
20	53041040	1	Circlip DIN 472 I-40		



D_MI62_3_3		Wet Exhaust				
FIG.	REF.	QTY	DESCR.	FROM	UPTO	
1	17113015	1	Elbow,wet exhaust			
2	17113016	1	Gasket			
3	14711021	1	Elbow N°1			
4	16511007	4	Stud			
5	51030010	4	Washer DIN 125-10		17/10/2017	
5	53033010	4	Washer GROWER DIN 127-10	18/10/2017		
6	55120110	4	Nut DIN 934 M10			



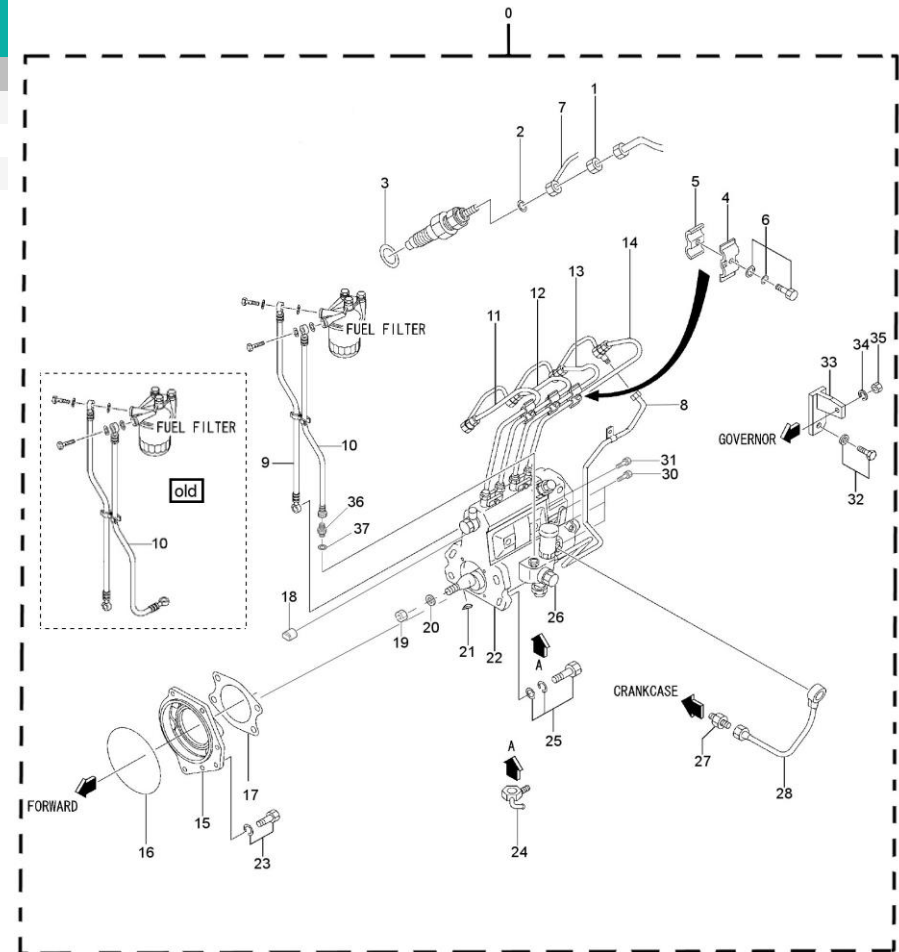
D_GK01_4_1 Fuel Pipe					
FIG.	REF.	QTY	DESCR.	FROM	UPTO
0	17125001G.1	1	Pump, Assy INJ.Generator		
1	13824024	4	Nut		
2	17424025G.1	4	Gasket Fuel Return (Genset)		
3	13824013	4	Injector Washer		
4	13124018	3	Clamp (A)		
5	13124017	3	Clamp (B)		
6	13124019	3	Bolt		
7	17124005	1	Pipe, Fuel Leak OFF		
8	17124006G	1	Pipe,fuel return		
9	17124007G	1	Hose,fuel feed		
10	17124008G	1	Hose,fuel feed		02/10/2018
10	17A24007	1	Hose Fuel		03/10/2018
11	17124015G	1	Pipe,Injection N.1		
12	17124016G	1	Pipe,Injection N.2		
13	17124019G	1	Pipe,Injection N.3		
14	17124022G	1	Pipe,Injection N.4		
15	17125005G	1	Flange, inj.pump		
16	13325001	1	O-Ring		
17	17425028	1	Gasket		
18	13325203	1	SLEEVE LIMIT		
19	13325274	1	Nut		
20	13325273	1	Washer		
21	13325268	1	KEY WOODRUFF		
22	(*)	1	Not available [NP]		
23	17125004.1	1	Bolt		
24	17424027	1	JOINT,EYE		
25	17425029	4	Bolt,W/Washer		
26	13325100	1	Pump Feed		
27	17424032	1	Connector		
28	17125010G	1	Pipe,oil		
30	17425004	6	Bolt,W/Washer		
31	17425003	1	Bolt,W/Washer		
32	13322079	1	Bolt		
33	17125006G	1	Bracket,pump		
34	13321016	1	Washer Spring		



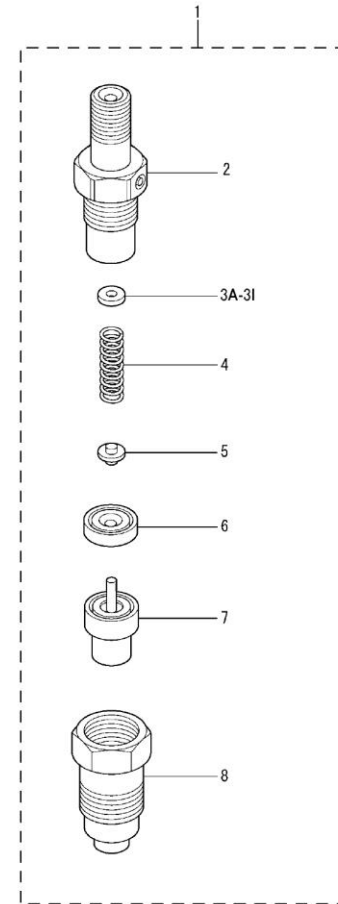
[NP] Not provided



D_GK01_4_1 Fuel Pipe						
FIG.	REF.	QTY	DESCR.	FROM	UPTO	
35	17120049	1	Nut M8			
36	17A24003	1	Nipple	03/10/2018		
37	17424008	1	Washer,Sealing	03/10/2018		



D_GK01_4_2		Injection Nozzle				
FIG.	REF.	QTY	DESCR.	FROM	UPTO	
1	13826001	4	Nozzle & Holder A			
2	13826002	4	Body Assy			
3	13826010	0	Washer 1,25 [VAR]			
3A	13826011	0	Washer 1,30 [VAR]			
3B	13826012	0	Washer 1,35 [VAR]			
3C	13826013	0	Washer 1,40 [VAR]			
3D	13826014	0	Washer 1,45 [NP] [VAR]			
3E	13826015	0	Washer 1,50 [VAR]			
3F	13826016	0	Washer 1,55 [VAR]			
3G	13826017	0	Washer 1,60 [VAR]			
3H	13826019	0	Washer 1,65 [VAR]			
3I	13826020	0	Washer 1,70 [VAR]			
4	13826004	4	Spring Pressure			
5	13826003	4	Pin Pressure			
6	13826007	4	PIECE DISTANCE		07/01/2020	
7	13826018	4	Nozzle Assy			
8	13826006	4	Nut RETAINING			



[NP] Not provided

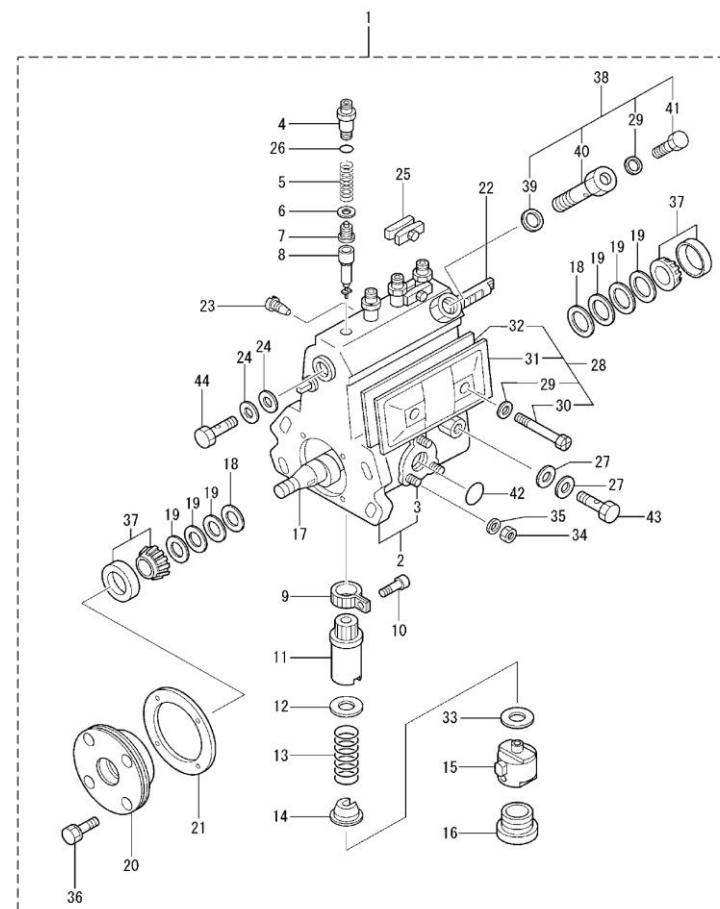
[VAR] Variable according to repair

D_GK01_4_3 Fuel Injection Pump

FIG.	REF.	QTY	DESCR.	FROM	UPTO
1	(*)	1	Not available [NP]		
2	17425005.1	1	Flange,INJ.Pump		
3	13325239	3	Stud		
4	17425046	4	Support SOUPAPE		
5	17425014	4	Spring,Valve		
6	17425012	4	Gasket,Valve		
7	17425008	4	Valve,DELIVERY		
9	13325241	4	PinION Control		
10	13325240	4	Screw		
11	17425015	4	SLEEVE,Control		
12	17425011	4	SHEET,Upper Spring		
13	13325244	4	Spring Plunger [NP]		
14	17425013	4	SHEET,LOWER Spring		
15	13325261	4	Tappet Assy [NP]		
16	17425022	4	Plug,Screw		
18	13325226	2	Ring		
19	13325219	0	Plate O,1 [VAR]		
19A	13325220	0	Plate O,12 [VAR]		
19B	13325221	0	Plate O,14 [VAR]		
19C	13325222	0 <td Plate O,16 [VAR]			
19D	13325223	0	Plate O,18 [VAR]		
19F	13325225	0	Plate O,5 [VAR]		
19G	13325224	0	Plate O,3 [VAR]		
19H	17425030	0	Shim Adjusting T=1.00 [VAR]		
19I	17425031	0	Shim Adjusting T=1,50 [VAR]		
19J	17425032	0	Shim Adjusting T=2.00 [VAR]		
19K	17425033	0	Shim Adjusting T=0.03 [VAR]		
20	13325271	1	Cover [NP]		
21	17425025	1	Gasket,Bearing Cover		
22	17425006	1	RACK,Control		
23	17425027	1	Screw,RACK Guide		
24	13325202	2	Washer		
25	17425035	2	Plate		
26	17425010	4	O-Ring		
27	13825031.3	2	Washer,DRAIN Union		

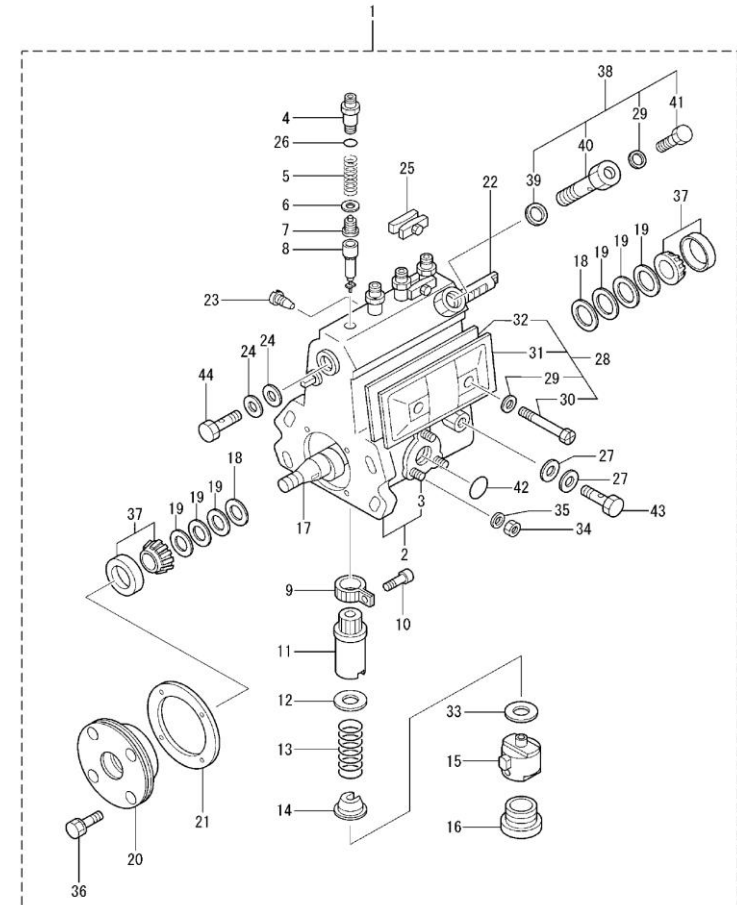
[NP] Not provided

[VAR] Variable according to repair

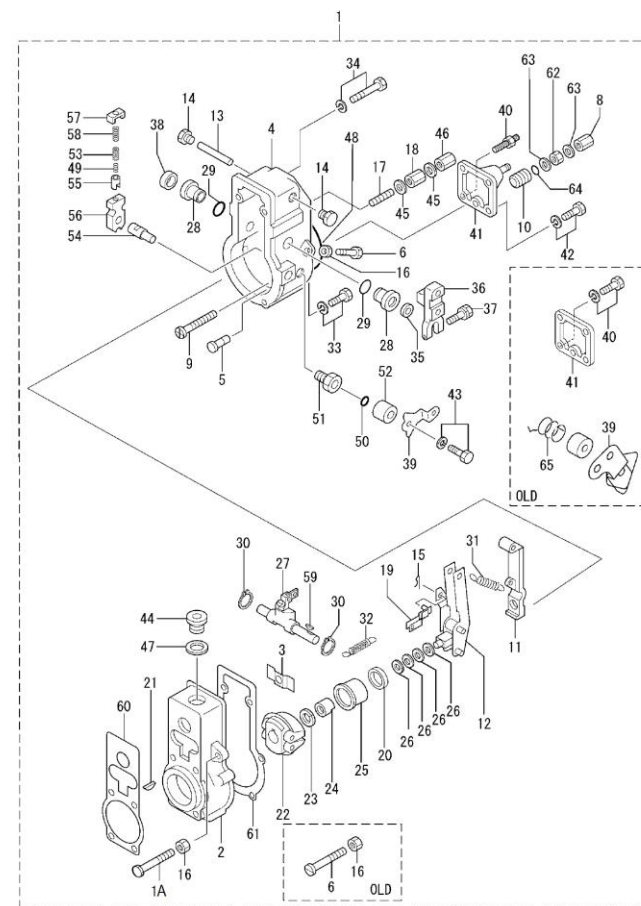




D_GK01_4_3		Fuel Injection Pump			
FIG.	REF.	QTY	DESCR.	FROM	UPTO
28	17425040	1	Cover,Pump		
29	13325215	2	Washer		
30	17425041	2	Screw,HEXAGON		
31	17425042	1	Cover,Plate		
32	17425043	1	Gasket,Cover Plate		
33	13125014	0	Shim T=0,60 [VAR]		
33A	13325253	0	Shim T=0.70 [VAR]		
33B	13325254	0	Shim T=0.80 [VAR]		
33C	13325255	0	Shim T=0.90 [VAR]		
33D	13325256	0	Shim T=1.00 [VAR]		
33F	13325257	0	Shim T=1.10 [VAR]		
33G	13325258	0	Shim T=1.20 [VAR]		
33H	13325259	0	Shim T=1.30 [VAR]		
33I	13325260	0	Shim T=1.40 [VAR]		
33J	13325246	0	Shim T=0.10 [VAR]		
33K	13125015	0	Shim T=0,2 [VAR]		
33L	13325249	0	Shim T=0.30 [VAR]		
33M	13125017	0	Shim T=0,4 [VAR]		
33N	13125018	0	Shim T=0,5 [VAR]		
33Ñ	13325247	0	Shim T=0.15 [VAR]		
330	17425034	0	Shim T=0.13 [VAR]		
34	17425019	3	Nut		
35	17425007	3	Washer, Spring		
36	13325272	4	Screw		
37	13325217	2	Conical Roller Bearing 30203 [NP]		
38	13325212	1	BREATHER Air		
39	13325213	1	Washer NIPPLE		
40	13325214	1	NIPPLE		
41	13325216	1	Screw		
42	13325234	1	O-Ring		
43	13325231	1	Screw, Racord		
44	13325201	1	Screw, Racord		



D_GK01_4_4		Governor Parts			
FIG.	REF.	QTY	DESCR.	FROM	UPTO
1	(*)	1	Not available [NP]	01/01/2016	
2	17425201	1	Housing,GOverNOR		
3	17425203	1	Plate		
4	17425208	1	Cover,GOverNOR		
5	17425209	1	Pin		
6	17425210	3	Screw,Adjusting		
8	17425217	1	Nut		
9	17425212	1	Screw,Adjusting		
10	17425213	1	Bushing		
11	17425218	1	Lever,TENSION		
12	17425245	1	Lever,TENSION		
13	17425222	1	Shaft,Lever		
14	17425223	2	Plug,Screw		
15	17425246	1	Pin,SPLIT		
16	17425211	1	Nut,W/Hole		
17	17425230	1	CapSULE		
18	17425232	1	Nut,Adapter LOCK		
19	17425247	1	SHACKLE		
20	17425239	1	Bearing,Ball		
21	17425205	1	KEY,WOODRUFF		
22	17425235G	1	FLYWEIGHT Assy (Generator)		
23	13325273	1	Washer		
24	17425237	1	Nut,ROUND		
25	17425238	1	SLEEVE,GOverNOR		
26	17425240	0	Washer,Plate T=0.2 [VAR]		
26A	17425241	0	Washer,Plate T=0.3 [VAR]		
26B	17425242	0	Washer,Plate T=0.4 [VAR]		
26C	17425243	0	Washer,Plate T=0.1 [VAR]		
26D	17425244	0	Washer,Plate T=1.0 [VAR]		
27	17425250	1	Lever,SWIVELLING		
28	17425227	2	Bushing,Lever		
29	17425226	2	O-Ring		
30	17425251	2	Washer,SNAP		
32	17425248	1	Spring,START		
33	17425255	4	Bolt,W/Washer		

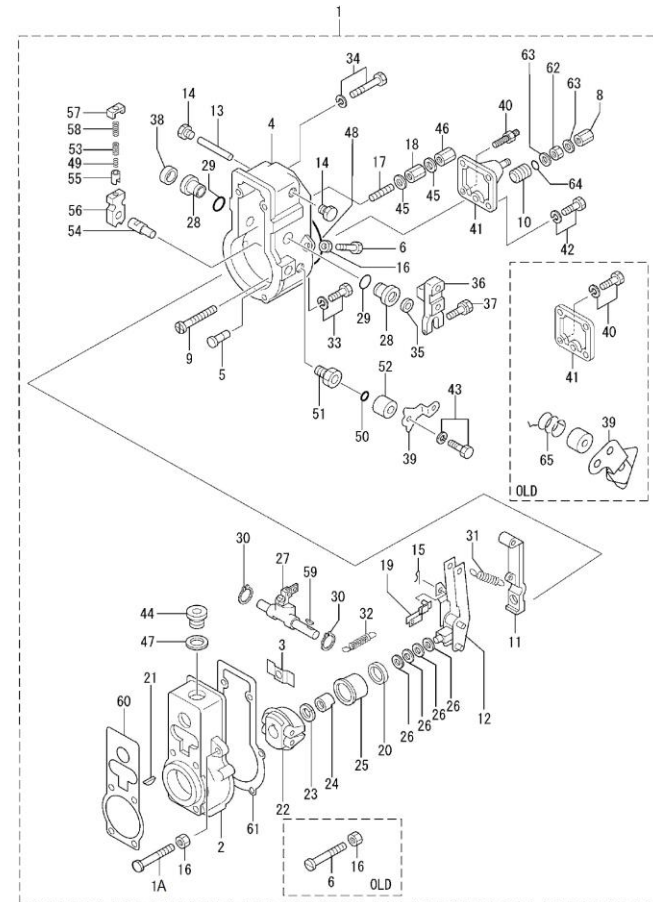


[NP] Not provided

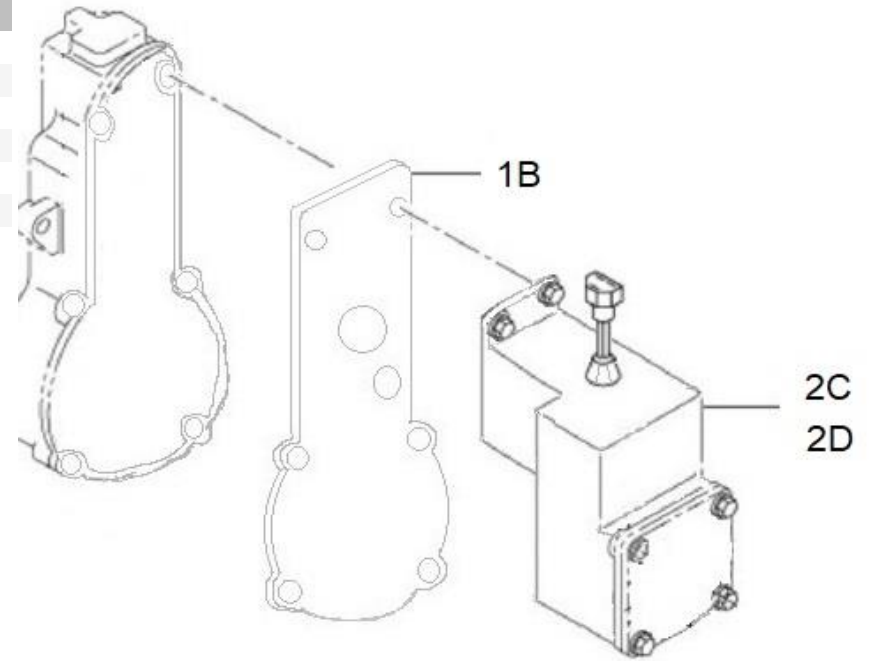
[VAR] Variable according to repair



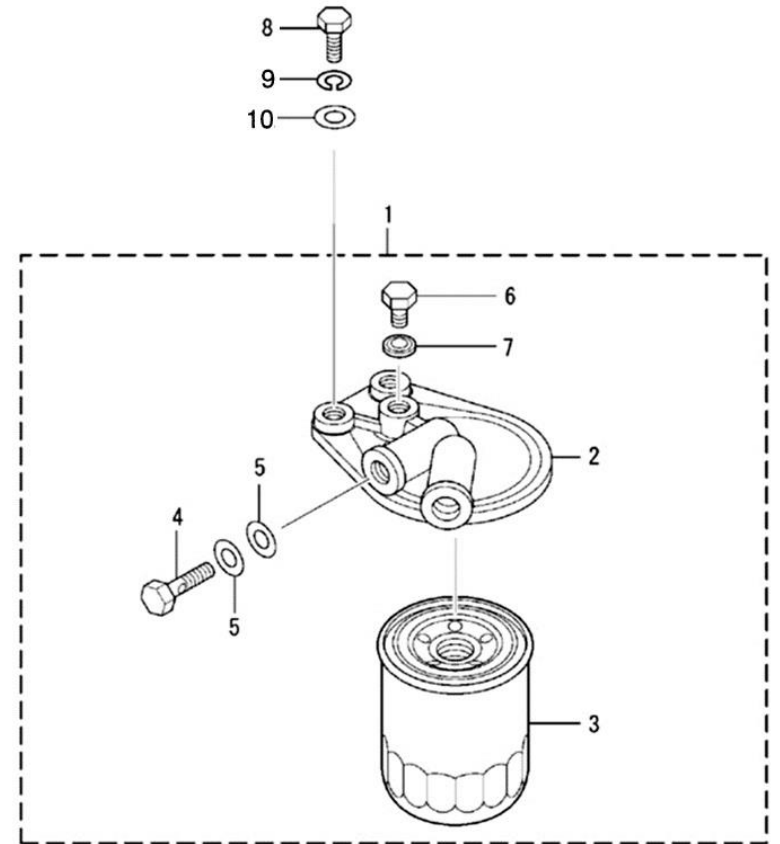
D_GK01_4_4		Governor Parts			
FIG.	REF.	QTY	DESCR.	FROM	UPTO
34	17425300	2	Bolt,W/Washer		
35	17425229	1	Seal,Oil		
36	17425224G	1	Lever,ADJUNTING (Generator)		
37	17425225	1	Bolt,W/Washer		
38	17425228	1	Cap,Lever		
39	17425259G	1	Lever,Stop (Generator)		
40	17425269	2	Bolt,Stud		06/02/2020
40	17425271	2	Bolt,Stud	06/02/2020	
41	17425296	1	Plate,Cover		
42	17425297	2	Bolt,W/Washer		
43	17425260G	1	Bolt,W/Washer (Generator)		
44	17425206	1	Plug,Screw		
45	13325213	2	Washer NIPPLE		
46	17425233	1	Nut,Cap		
47	17425207	1	Washer,COPPER Plate		
48	17425295	1	Packing,Rubber Plate		
49	17425276	1	Spring		
50	17425257	1	O-Ring		
51	17425256G	1	Bushing,Bearing (Generator)		
52	17425258G	1	Cover,Spring (Generator)		
53	17425275	1	Spring		
54	17425279	1	Shaft,GOverNOR		
55	17425277	1	SHEET,spring		
56	17425278	1	Lever,Support		
57	17425273	1	Plate,Cap		
58	17425274	1	Spring		
59	17425252	1	KEY,WOODRUFF		
60	17425204	1	Gasket		
61	17425202	1	Gasket		
62	17425215	1	Nut,HEXAGON		
63	17225025	2	Washer, Pipe Union		
64	17425214	1	O-Ring		



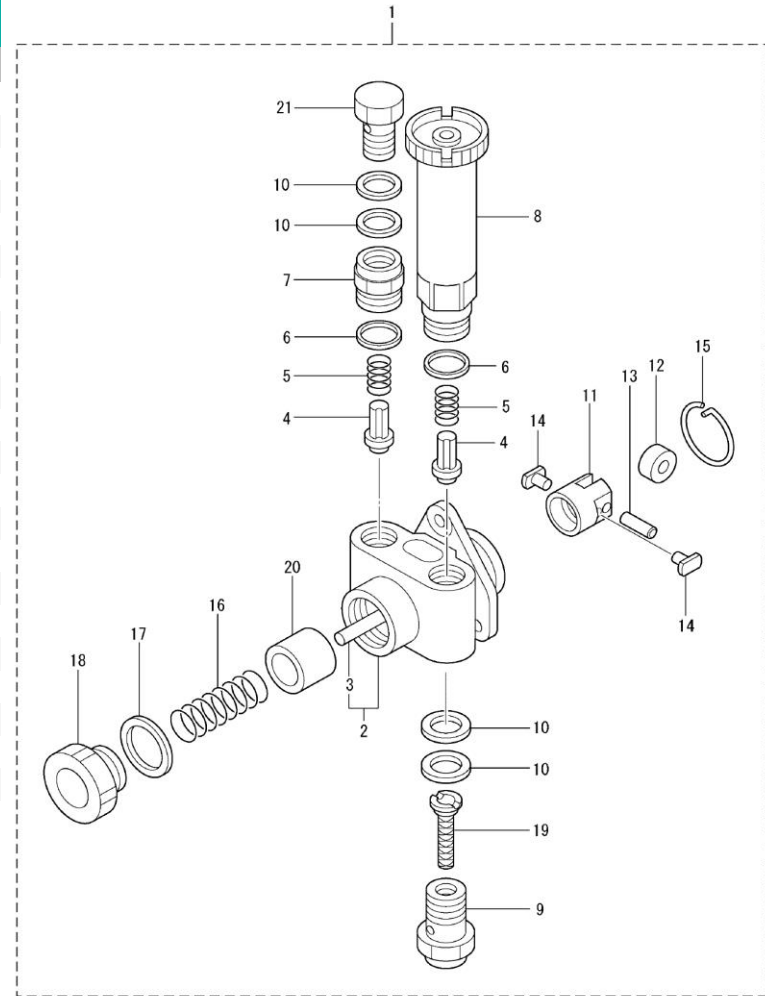
D_GK01_4_4B		Parallel Actuator				
FIG.	REF.	QTY	DESCR.	FROM	UPTO	
1B	60972518	1	Assembly kit for 175 series actuator			
<i>Figure b for Parallel System</i>						
2C	60972516	1	G.A.C 175 Series 12V Integrated Actuator			
<i>Figure C for Parallel System 12V</i>						
2D	60972520	1	G.A.C. 175 Series 24V Integrated Actuat.			
<i>Figure D for Parallel System 24V</i>						



D_GK01_4_5 Fuel Supply Parts						
FIG.	REF.	QTY	DESCR.	FROM	UPTO	
1	17424020	1	Fuel Filter Assy			
2	17424001	1	Bracket,Fuel Filter			
3	17414022	1	Fuel Filter Element MINI-74 SM-105			
4	17424003	2	Bolt,EYE			
5	17424008	4	Washer,Sealing			
6	13324072	1	Plug			
7	13324011	1	Washer			
8	52102259	2	Bolt DIN 933 M8-30 8.8			
9	53033008	2	Washer GROWER DIN 127-8			



D_MI74_4_6 Feed Pump						
FIG.	REF.	QTY	DESCR.	FROM	UPTO	
1	13325100	1	Pump Feed			
2	13325107	1	Housing Feed Pump			
3	13325120	1	ROD,PUSH			
4	13325106	2	Valve			
5	13325105	2	Spring			
6	13325104	2	Washer			
7	13325103	1	Support			
8	17425102	1	Pump S/Assy,PRIMING			
9	13325112	1	Screw, Racord			
10	17425106	4	Washer,Pipe Union			
11	13325115	1	Tappet			
12	13325118	1	Roller			
13	13325117	1	Pin,Roller			
14	13325116	2	Block			
15	13325119	2	Ring			
16	13325110	1	Spring [NP]			
17	13325109	1	Washer			
18	13325108	1	Plug			
19	13325113	1	Filter			
20	13325111	1	Piston [NP]			
21	17425105	1	Srew,Hollow			
NS	17425121	1	Seal,Oil [NS]			

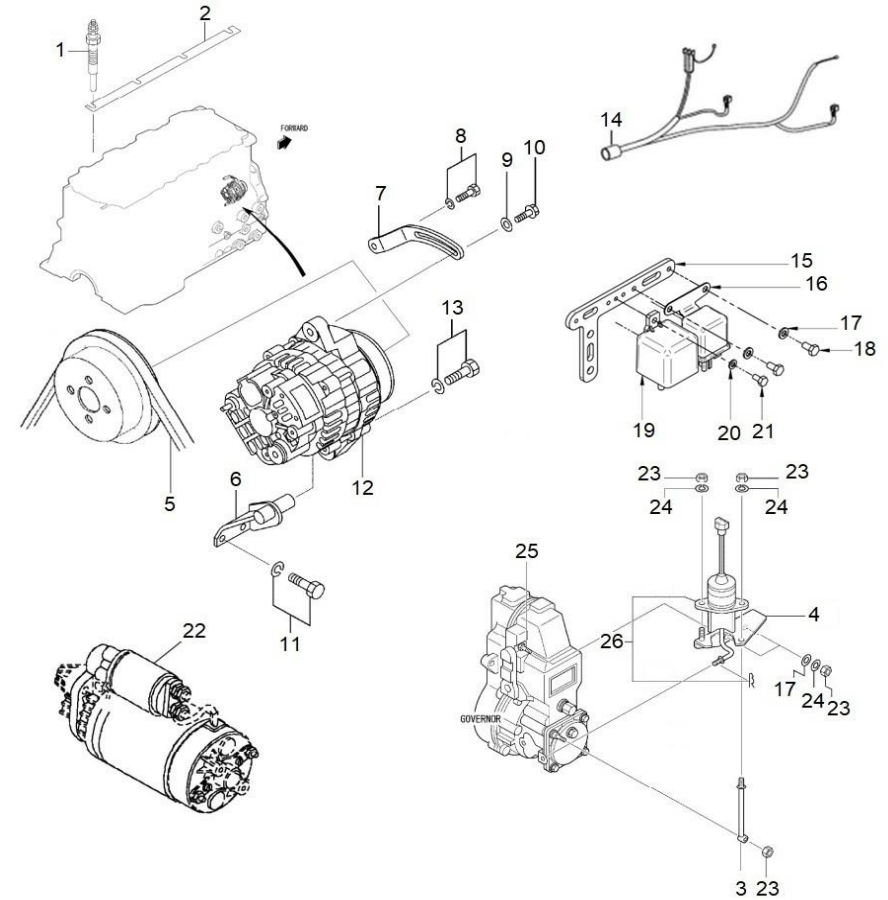


[NP] Not provided

[NS] Not shown



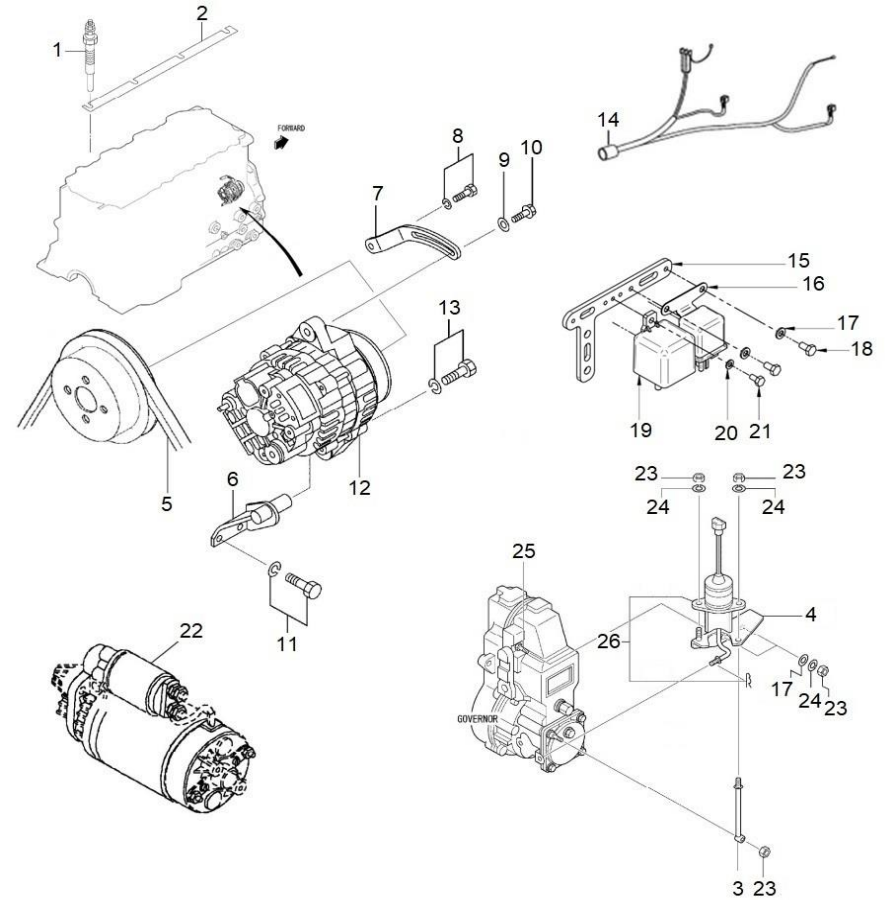
D_MI63GTST_05_1 Electrical System 12V						
FIG.	REF.	QTY	DESCR.	FROM	UPTO	
1	17127017	4	Plug, glow			
2	17127018	1	Plate, Connection			
3	17427006G	1	ROD,Support			
4	17427005G	1	Bracket			
5	15217103	1	Belt Type AX 38EP 965			
6	17127002	1	Bracket Alternator			
7	17127007	1	BRACE Generator			
8	17421012G.1	1	Bolt W/Washer (Generator)			
9	51031008	1	Washer DIN 9021 8			
10	13827012	1	Bolt			
11	17720010	2	Bolt,W/Washer			
12	17127010	1	Alternator 12V/40A			
13	17127004G	1	Bolt			
14	60971505	1	MINI-63 ETR Electrical Wiring			
15	17117001	1	Support,relay			
16	13827005	1	Glow Relay			
17	51030006	2	Washer DIN 125-6			
18	52102154	4	Bolt DIN 933 M6-10 8.8			
19	18217005	1	Relay 12V 12-100			
20	52102104	1	Bolt DIN 933 M5-10 8.8			
21	51030005	1	Washer DIN 125-5			
22	17127001	1	Starter Assy 12 V			
23	17223032	5	Nut			
24	53033006	4	Washer GROWER DIN 127-6			
25	17427003G	1	Rod,Solenoid			
26	17424025G	1	Solenoid			
NS	13817011	1	Bracket [NS]			



[NS] Not shown



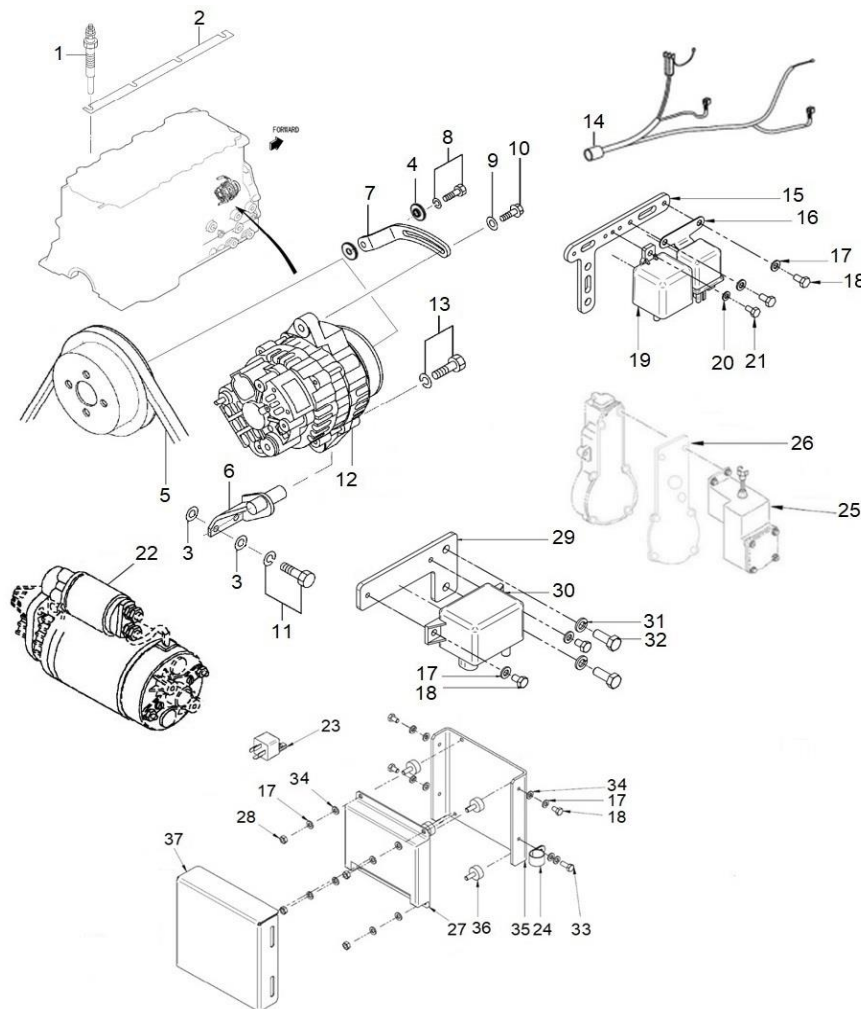
D_MI63GTST_05_2 Electrical System 24V						
FIG.	REF.	QTY	DESCR.	FROM	UPTO	
1	17527017.2	4	Glow Plug 24V			
2	17127018	1	Plate, Connection			
3	17427006G	1	ROD,Support			
4	17427005G	1	Bracket			
5	17117021	1	Belt Type SPAX 1030 / RECMF-6395			
6	17127003G	1	Bracket Alternator			
7	17127007.1	1	Brace Generator			
8	17421012G.1	1	Bolt W/Washer (Generator)			
9	51031008	1	Washer DIN 9021 8			
10	13827012	1	Bolt			
11	17720010	2	Bolt,W/Washer			
12	17417024	1	Alternator 28V/55A			
13	17127004G	1	Bolt			
14	60971505	1	MINI-63 ETR Electrical Wiring			
15	17117001	1	Support,relay			
16	17527006	1	Glow Relay 24V			
17	51030006	2	Washer DIN 125-6			
18	52102154	4	Bolt DIN 933 M6-10 8.8			
19	17417005	1	Relay 24V 24-100			
20	52102104	1	Bolt DIN 933 M5-10 8.8			
21	51030005	1	Washer DIN 125-5			
22	17127001.2	1	Starter Assy 24V			
23	17223032	5	Nut			
24	53033006	4	Washer GROWER DIN 127-6			
25	17427003G	1	Rod,Solenoid			
26	17425264.2	1	Solenoid 24V			
NS	13817011	1	Bracket [NS]			



[NS] Not shown



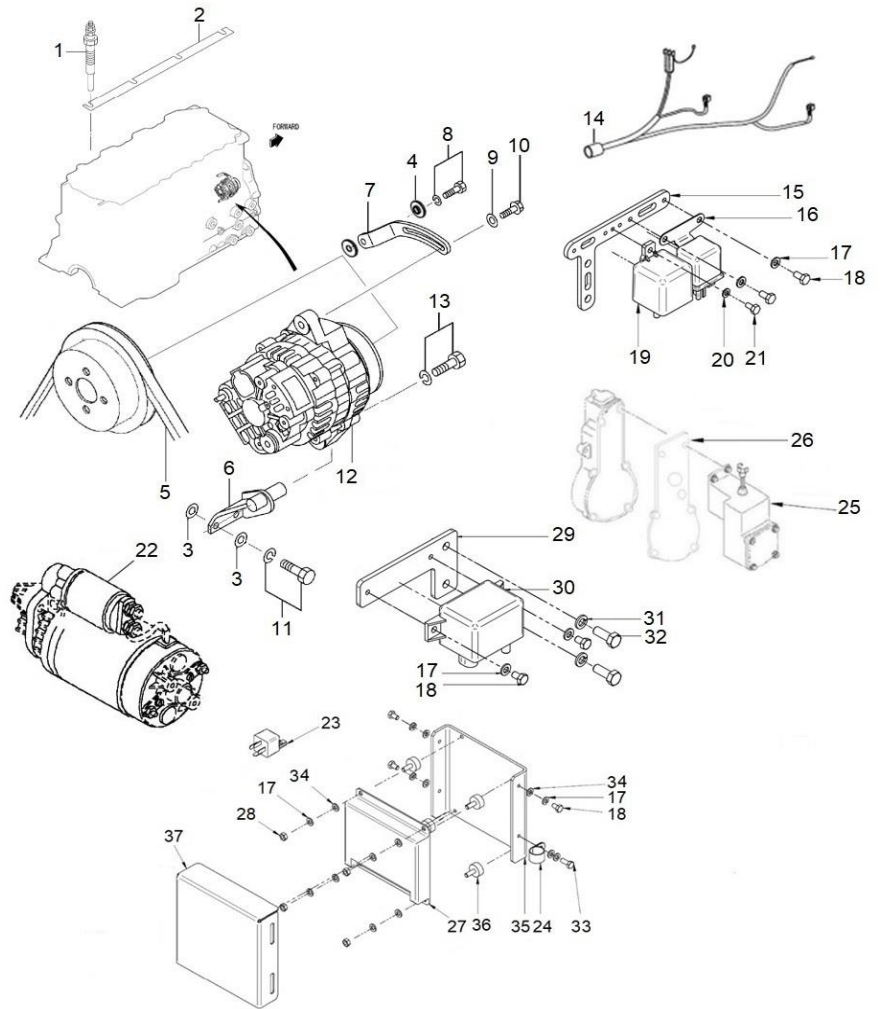
D_MI63GTST_05_3		Parallel Electrical System 12V			
FIG.	REF.	QTY	DESCR.	FROM	UPTO
1	17127017	4	Plug, glow		
2	17127018	1	Plate, Connection		
3	17117024	4	Bracket Bakelite Bushing		
4	17117012	2	Tensor Bakelite Bushing		
5	15217103	1	Belt Type AX 38EP 965		
6	17127002G.1	1	Bracket Assy, Front		
7	17127007G.1	1	BRACE Generator		
8	17421012G.1	1	Bolt W/Washer (Generator)		
9	51031008	1	Washer DIN 9021 8		
10	13827012	1	Bolt		
11	17720010	2	Bolt,W/Washer		
12	17127010	1	Alternator 12V/40A		
13	17127004G	1	Bolt		
14	60971506	1	MINI-63 E. Wiring G.EARTH ISOLATED COMAP		
15	17117001	1	Support,relay		
16	13827005	1	Glow Relay		
17	51030006	2	Washer DIN 125-6		
18	52102154	4	Bolt DIN 933 M6-10 8.8		
19	18217005	1	Relay 12V 12-100		
20	52102104	1	Bolt DIN 933 M5-10 8.8		
21	51030005	1	Washer DIN 125-5		
22	17127001	1	Starter Assy 12 V		
23	63900028	1	Relay 12V 20/30A NO+NC		
24	59071224	1	Clamp RSGU 1 22/15 W1		
25	60972516	1	G.A.C 175 Series 12V Integrated Actuator		
26	60972518	1	Assembly kit for 175 series actuator		
27	60972521	1	Speed Control Unit G.A.C. ESD-5500 Ser.		
28	52120006	4	Nut DIN 934 M6 8.8		
29	17117107	1	Suport Relais		05/06/2016
29	17117113	1	Bracket	06/06/2016	
30	19017104	1	Relay 12 V. Bipolar		05/06/2016
30	19017113	1	Relay 12V Earth Isolated Nagares	06/06/2016	
31	53033008	2	Washer GROWER DIN 127-8		
32	52102257	2	Bolt DIN 933 M8-20 8.8		
33	52102156	1	Bolt DIN 933 M6-16 8.8		



[NS] Not shown

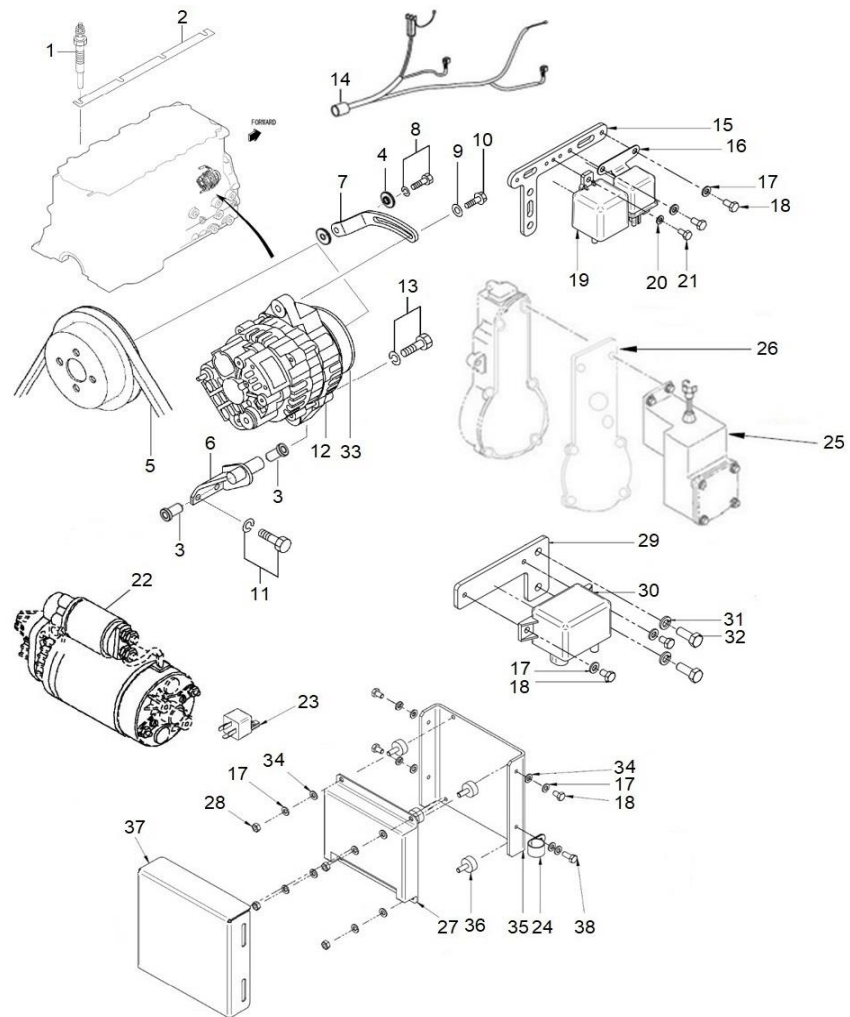


D_MI63GTST_05_3		Parallel Electrical System 12V			
FIG.	REF.	QTY	DESCR.	FROM	UPTO
34	53033006	12	Washer GROWER DIN 127-6		
35	17317007	1	Electronic Unit Bracket		
36	17A14009	4	Anti Vibration Mount M6		
37	17317008	1	Parallel electronic unit cover		
NS	13817011	1	Bracket [NS]		
NS	60974205	1	35 GT/GTC Parallel Auxiliary Installation Mitsubishi Models [NS]		31/05/2023
NS	60974229	1	Auxiliary Installation Parallel Genset [NS]		01/06/2023



D_MI63GTST_05_4 Parallel Electrical System 24V

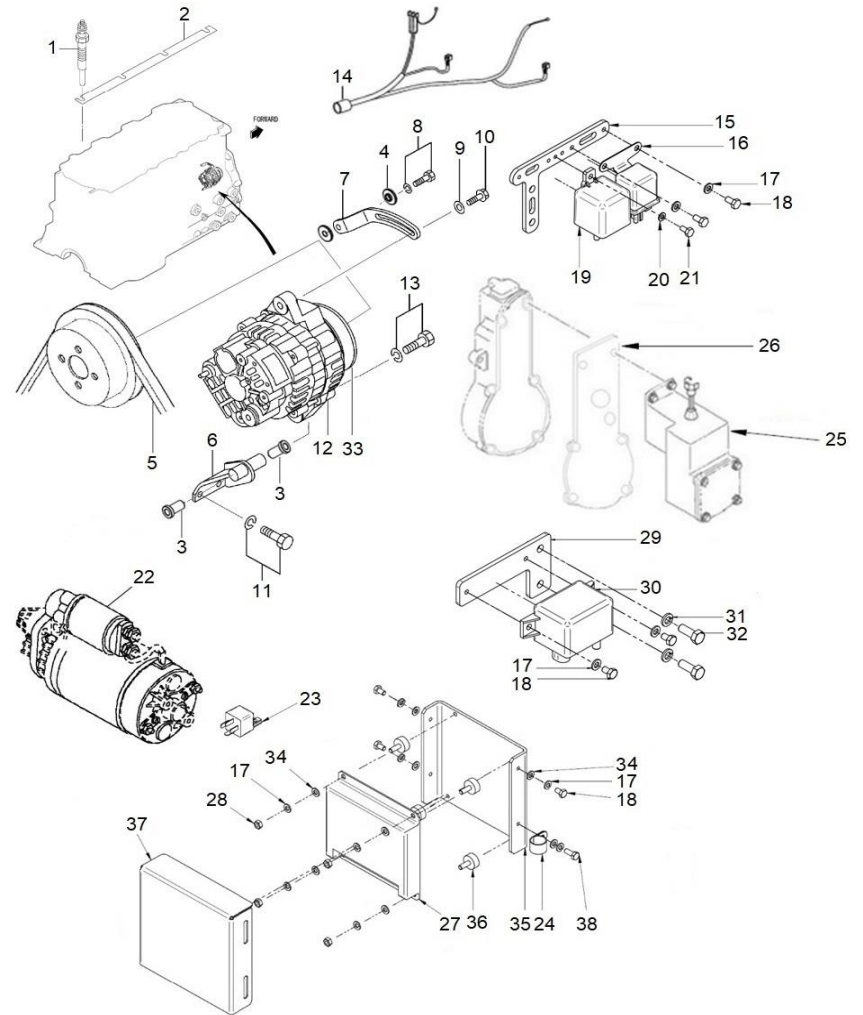
FIG.	REF.	QTY	DESCR.	FROM	UPTO
1	17527017.2	4	Glow Plug 24V		
2	17127018	1	Plate, Connection		
3	17117011	2	Bracket Bakelite Bushing		
4	17117012	4	Tensor Bakelite Bushing		
5	17117021	1	Belt Type SPAX 1030 / RECMF-6395		
6	17127002.5	1	Bracket Assy, 2nd Alternator		
8	17421012G.1	1	Bolt W/Washer (Generator)		
9	51031008	1	Washer DIN 9021 8		
10	13827012	1	Bolt		
11	17720010	2	Bolt,W/Washer		
12	17417024	1	Alternator 28V/55A		
13	17127004G	1	Bolt		
14	60971506	1	MINI-63 E. Wiring G.EARTH ISOLATED COMAP		
15	17117001	1	Support,relay		
16	17527006	1	Glow Relay 24V		
17	51030006	4	Washer DIN 125-6		
18	52102154	6	Bolt DIN 933 M6-10 8.8		
19	17417005	1	Relay 24V 24-100		
20	52102104	1	Bolt DIN 933 M5-10 8.8		
21	51030005	1	Washer DIN 125-5		
22	17127001.2	1	Starter Assy 24V		
23	63900029	1	Relay 24V 10/20A NO+NC		
24	59071224	1	Clamp RSGU 1 22/15 W1		
25	60972520	1	G.A.C. 175 Series 24V Integrated Actuat.		
26	60972518	1	Assembly kit for 175 series actuator		
27	60972521	1	Speed Control Unit G.A.C. ESD-5500 Ser.		
28	52120006	4	Nut DIN 934 M6 8.8		
29	17117107	1	Suport Relais		05/06/2016
29	17117113	1	Bracket	06/06/2016	
30	19017105	1	Relay 24 V Bipolar		05/06/2016
30	19017114	1	Relay 24V Earth Isolated Nagares	06/06/2016	
31	53033008	2	Washer GROWER DIN 127-8		
32	52102257	2	Bolt DIN 933 M8-20 8.8		
33	17417022	1	Pulley		
34	53033006	8	Washer GROWER DIN 127-6		



[NS] Not shown



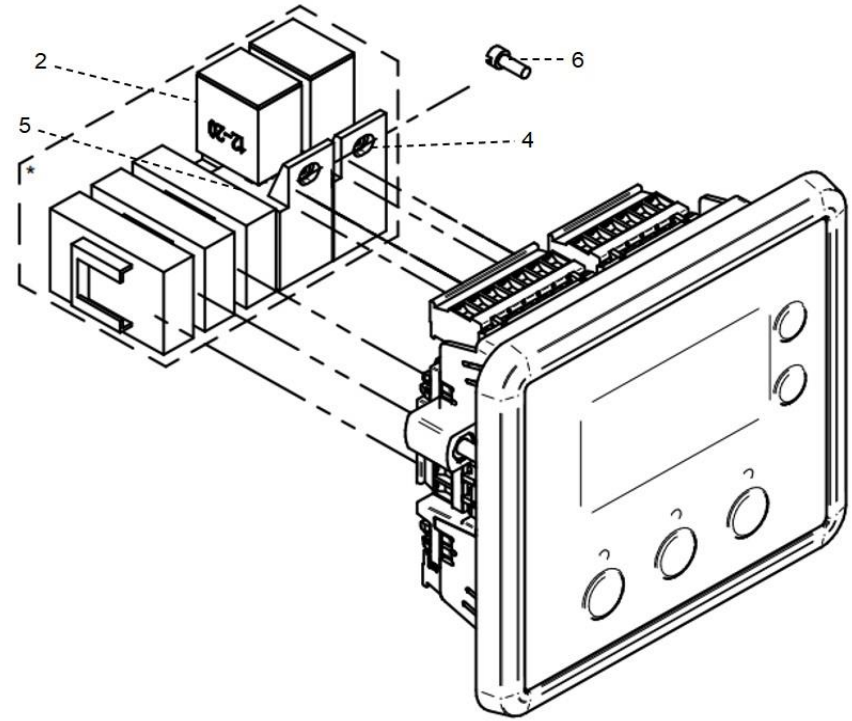
D_MI63GTST_05_4		Parallel Electrical System 24V			
FIG.	REF.	QTY	DESCR.	FROM	UPTO
35	17317007	1	Electronic Unit Bracket		
36	17A14009	4	Anti Vibration Mount M6		
37	17317008	1	Parallel electronic unit cover		
38	52102156	1	Bolt DIN 933 M6-16 8.8		
NS	13817011	1	Bracket [NS]		
NS	60972517	1	Connector for actuator Packard type [NS]		
NS	60974205	1	35 GT/GTC Parallel Auxiliary Installation Mitsubishi Models [NS]		31/05/2023
NS	60974229	1	Auxiliary Installation Parallel Genset [NS]	01/06/2023	



D_MI63GTST_05_5 Panels for Genset						
FIG.	REF.	QTY	DESCR.	FROM	UPTO	
1A	61971230S	1	Panel SCO 5 20 GSC 12V 230V			
1B	61971230.2S	1	Panel SCO 5 20 GSC 24V 230V			
1C	61971240.18S	1	Panel SCO 5 25 GSAC 12V 240V			
1D	61971240.18.2S	1	Panel SCO 5 25 GSAC 24V 240V			
1E	61971230TS	1	Panel SCO 5 25 GTC 12V 230V			
1F	61971400S	1	Panel SCO 5 25 GTC 12V 400/230V			
1G	61971230T.2S	1	Panel SCO 5 25 GTC 24V 230V			
1H	61971400.2S	1	Panel SCO 5 25 GTC 24V 400/230V			
1I	61971240T.18S	1	Panel SCO 5 30 GTAC 12V 240V			
1J	61971480.18S	1	Panel SCO 5 30 GTAC 12V 480/277V			
1K	61971240T.18.2S	1	Panel SCO 5 30 GTAC 24V 240V			
1L	61971480.18.2S	1	Panel SCO 5 30 GTAC 24V 480/277V			



D_PANELGRUP02_01 Panel Components for Genset						
FIG.	REF.	QTY	DESCR.	FROM	UPTO	
2A	60900091	4	MICRO Relay 12V 12-20			
<i>Figure A for 12V System</i>						
2B	60900092	4	MICRO Relay 24V 24-10			
<i>Figure b for 24V System</i>						
4	51030005	2	Washer DIN 125-5			
5	61900001	1	Rail Guide For Modular Micro Relay Holder - Fusible Holder		29/03/2023	
5	61900002	1	Rail Guide For Modular Micro Relay Holder - Fusible F		29/03/2023	
6	51918054	2	Bolt DIN 7981C 3,5-9,5			
NS	60972112	1	Wiring BRIDGE MONOF. Panel COMAP [NS]			
NS	60972123	1	Electrical System Back Panel SCO 5 [NS]			
NS	61972124	1	SCO 5 Panel Screw Bracket [NS]			



[NS] Not shown

D_MI63GTST_05_7		Electrical Box for Parallel				
FIG.	REF.	QTY	DESCR.	FROM	UPTO	
1A	60971547	1	Kit Paral. 20 GS 230V Cont/Pow 12V			
1B	60971549	1	Kit Paral. 20 GS 230V Cont/Pow 24V			
1C	60971552	1	Kit Paral. 25 GSA 240V Cont/Pow 12V			
1D	60971554	1	Kit Paral. 25 GSA 240V Cont/Pow 24V			
1E	60971531	1	Kit Paral. 25 GT 230V Cont/Pow 12V			
1F	60971537	1	Kit Paral. 25 GT 230V Cont/Pow 24V			
1G	60971530	1	Kit Paral. 25 GT 400/230V Cont/Pow 12V			
1H	60971536	1	Kit Paral. 25 GT 400/230V Cont/Pow 24V			
1I	60971559	1	Kit Paral. 30 GTA 240V Cont/Pow 12V			
1J	60971561	1	Kit Paral. 30 GTA 240V Cont/Pow 24V			
1K	60971555	1	Kit Paral. 30 GTA 480/277V Cont/Pow 12V			
1L	60971557	1	Kit Paral. 30 GTA 480/277V Cont/Pow 24V			



D_W1C1_1_1		Genset Extension				
FIG.	REF.	QTY	DESCR.	FROM	UPTO	
1A	60938210I	1	Genset Wiring Ext. 3 M. CPC			
1B	60985210I	1	Genset Wiring Ext. 4 M. CPC			
1C	60938221	1	Genset Wiring Ext. 6 M. CPC			
1D	60938212	1	Genset Wiring Ext. 8 M. CPC			
1E	60985210.12I	1	Genset Wiring Ext. 12 M. CPC			
1F	60985210.18I	1	Genset Wiring Ext. 18 M. CPC			
1G	60985210.24I	1	Genset Wiring Ext. 24 M. CPC			
1H	60985210.30I	1	Genset Wiring Ext. 30 M. CPC			
1I	60974552	1	3-way Wiring Wxtension for Auxiliary Kits 4 m			
1J	60900165	1	3-way Wiring Extension for Auxiliary Kits 6 m			
1K	60900166	1	3-way Wiring Extension for Auxiliary Kits 12 m			
1L	60900167	1	3-way Wiring Extension for Auxiliary Kits 24 m			
1M	60972104	1	Double Panel SCO 12 M. Harness			
1N	60972105	1	Double Panel SCO 24 M. Harness			
1O	60972110	1	Double Panel SCO 36 M. Harness			
1P	60972145	1	Double Panel SCO 45 M. Harness			



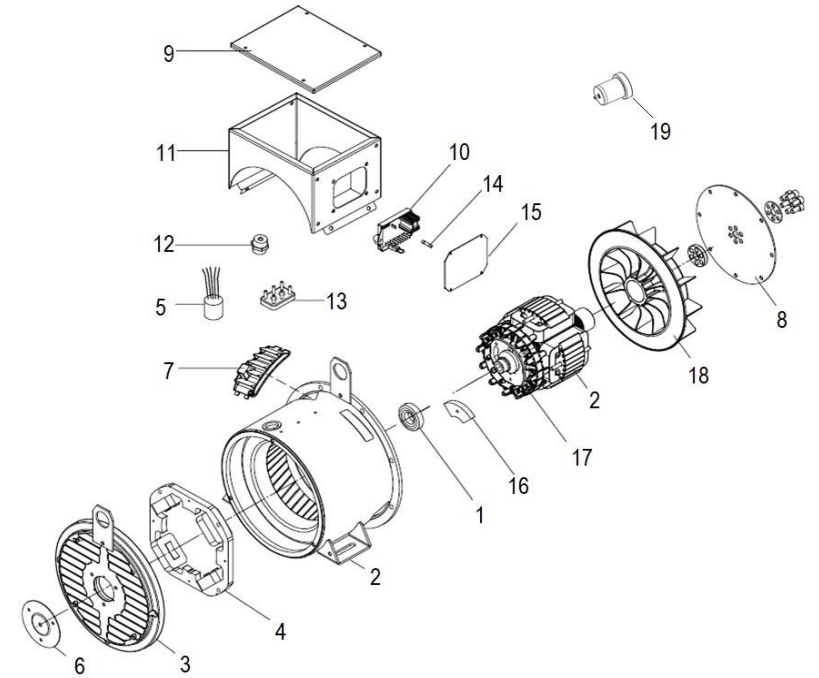
D_W1C1_1_2		Parallel Genset Extension				
FIG.	REF.	QTY	DESCR.	FROM	UPTO	
1A	6097A223	1	Wiring extensions Electronic Actuator Genset Mitsubi:	01/06/2023		
1B	6097A224	1	Wiring extensions Electronic Actuator Genset Mitsubi:	01/06/2023		
1C	6097A221	1	Wiring Extension for Mitsubishi Parallel Control and P	01/06/2023		
1D	6097A222	1	Wiring Extension for Mitsubishi Parallel Control and P	01/06/2023		
1E	60974221	1	Wiring Extension 25/35/50/68 GT 6 m Electronic Actuator for SCO		31/05/2023	
1F	60974219	1	Wiring Extension 25/35/50/68 GT 12 m Electronic Actuator for SC		31/05/2023	
1G	60974206	1	Wir.Ext. 25/35/50/68 GT Prep. Paral.6M		31/05/2023	
1H	60974207	1	Wir.Ext. 25/35/50/68 GT Prep. Paral.12M		31/05/2023	



D_MI63GTST_06_1		Alternator 25 GT/GTC Y 30 GTA/GTAC			
FIG.	REF.	QTY	DESCR.	FROM	UPTO
1A	60511325SRC	1	AI.SINCRO III 25KVA 1500 400/230V (RC)		
1B	60511325SRS	1	AI.SINCRO III 25KVA 1500 400/230V (RS)		
1C	60511326SRC	1	AI.SINCRO III 25KVA 1500RPM 230V (RC)		
1D	60511326SRS	1	AI.SINCRO III 25KVA 1500RPM 230V (RS)		
1E	60511330SRC	1	AI.SINCRO III 30KVA 1800 480/277V (RC)		
1F	60511330SRS	1	AI.SINCRO III 30KVA 1800 480/277V (RS)		
1G	60511331SRC	1	AI.SINCRO III 30KVA 1800RPM 240V (RC)		
1H	60511331SRS	1	AI.SINCRO III 30KVA 1800RPM 240V (RS)		



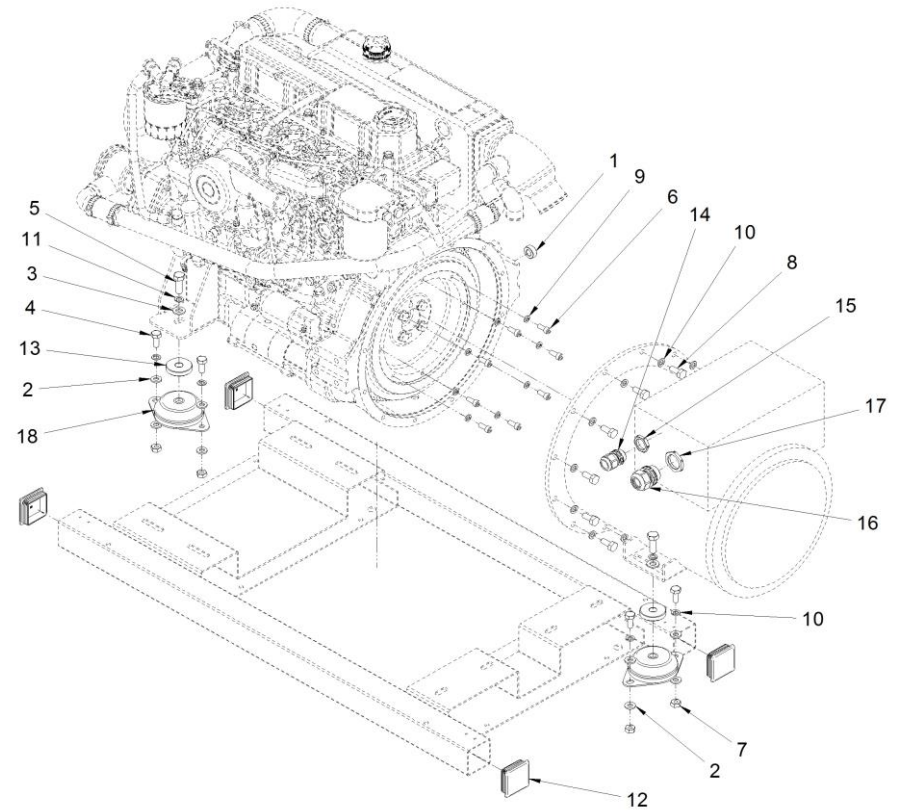
D_60511325S Alternator Spare Parts						
FIG.	REF.	QTY	DESCR.	FROM	UPTO	
1	60511325S.1	1	Bearing 6206 2RS/C3			
2	(*)	1	Not available [NP]			
3	60511107S.13	1	Rear Shield			
4	60511325S.2	1	Exciter stator SK160C-, M-, L-			
5	60574340S.12	1	EMC Filter			
6	60511325S.3	1	Rear shield cover			
7	60511336S.03	1	IP23 Grid			
8	60511325S.4	1	Kit disks 7,5"			
9	60511336S.01	1	Top Cover			
10	60511107S.35.1	1	Electronic Board AVR BL4 U			
11A	60511336S.13	1	Terminal Box			
11B	60511336S.14	1	Terminal Box			
12A	60511325S.5	1	M6 insulator clamp			
12B	60511336S.02	1	M8 Insulator Clamp			
13A	60511325S.7	1	M6 terminal board			
13B	60511336S.04	1	M8 Terminal Board			
14	60511336S.05	1	Fuse 5x20 3,15A F			
15	60511336S.06	1	Cover on Regulator Side			
16	60574340.10	1	Diode Bridge SK160-S/C/L/M			
17	60511325S.6	1	Exc. rotor SK160C-, M-, L- 4P			
18	60511336S.11	1	Fan SK160W- 4p			
19	UMSINCRO1	1	SINCRO SK160 Special Tool			



[NP] Not provided



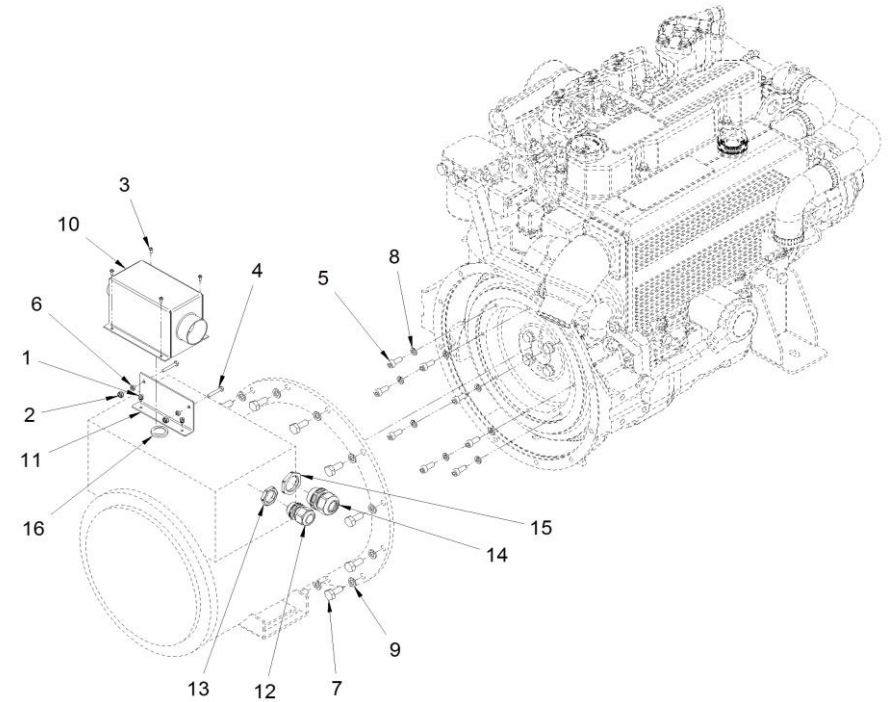
60571068		Tri. SINCR0 Alt. Kit (S) ETR			
FIG.	REF.	QTY	DESCR.	FROM	UPTO
1	19414022	1	Spacer 13X25X10		
2	51030010	16	Washer DIN 125-10		
3	51030012	4	Washer DIN 125-12		
4	52102307	8	Bolt DIN 933 M10-20 8.8		
5	52102361	4	Bolt DIN 933 M12-40 8.8		
6	52103257	8	Bolt DIN 912 M8-20 8.8		
7	52120010	8	Nut DIN 934 M10 8.8		
8	52202308	12	Screw DIN 961 8.8 M-10/1,25X25		
9	53033008	8	Washer GROWER DIN 127-8		
10	53033010	20	Washer GROWER DIN 127-10		
11	53033012	4	Washer Grower DIN 127-12		
12	60539019	4	LID (60 Tube)		
13	60574025	4	Washer		
14	60900306	1	Connector Press CAPTOR-2000 M25 RAL7001		
15	60900309	1	Screw Connector Press Captor-2000 M25		
16	60900310	1	Connector Press CAPTOR-2000 M32 RAL7001		
17	60900311	1	Screw Connector Press Captor-2000 M32		
18	61673001	4	Engine Mount Type F 35 SHA M12 H 34		05/03/2023
18	61673005	4	Engine Mount Type F BRB 80 B50 SHA M12 H 35	06/03/2023	
NS	52102359	1	Bolt DIN 933 M12-30 8.8 [NS]		
NS	53104257	4	Bolt DIN 7984 M8-20 12.9 [NS]		
NS	58088284	2	Pastic Cable Zip Tie [NS]		
NS	60900159	1	Tubular Terminal [NS]		
NS	60900160	1	Tubular Terminal [NS]		
NS	TR.1.5.8	4	Ring Terminal 1.5 Sec. [NS]		



[NS] Not shown



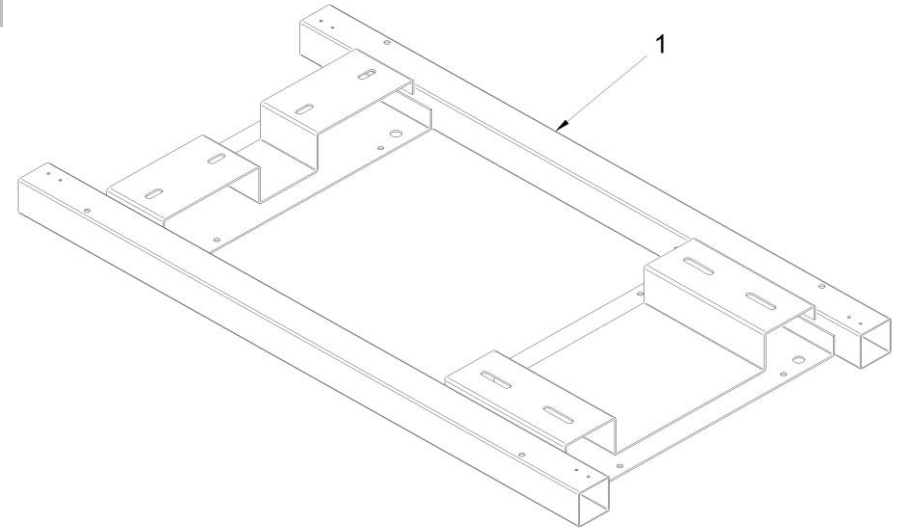
60571069		Tri. SINCRO Alt. Kit (C) ETR			
FIG.	REF.	QTY	DESCR.	FROM	UPTO
2	51123005	4	Nut DIN 985 M5 5.6		
3	51918054	4	Bolt DIN 7981C 3,5-9,5		
4	52102110	2	Bolt DIN 933 M5-30 8.8 CINCADO		
5	52103257	8	Bolt DIN 912 M8-20 8.8		
6	52120005	2	Nut DIN 934 M5 8.8		
7	52202308	12	Screw DIN 961 8.8 M-10/1,25X25		
8	53033008	8	Washer GROWER DIN 127-8		
9	53033010	12	Washer GROWER DIN 127-10		
10	60573041.71	1	REGULATOR Bracket Box		
11	60573041.72	1	VOLT REGULATOR Bracket Box		
12	60900306	1	Connector Press CAPTOR-2000 M25 RAL7001		
13	60900309	1	Screw Connector Press Captor-2000 M25		
14	60900310	1	Connector Press CAPTOR-2000 M32 RAL7001		
15	60900311	1	Screw Connector Press Captor-2000 M32		
16	60900517	1	Cover,wiring		
NS	53104257	4	Bolt DIN 7984 M8-20 12.9 [NS]		
NS	60900510	1	Emergency Stop PUSH BOTTOM [NS]		
NS	60900511	1	Stop PUSH BOTTOM Body [NS]		
NS	60974072A	1	Inst. Alt. To N Blue Breaker Sec. 16 - 800mm [NS]		
NS	60974072G	1	Inst. Alt. To "W" Gray Breaker Sec. 16 - 800mm [NS]		
NS	60974072M	1	Inst. Alt. To "V" Brown Breaker Sec. 16 - 800mm [NS]		
NS	60974072N	1	Inst. Alt. To "U" Black Breaker Sec. 16 - 800mm [NS]		
NS	60974085	1	FOUR PoleS 40A DISConnector [NS]		



[NS] Not shown

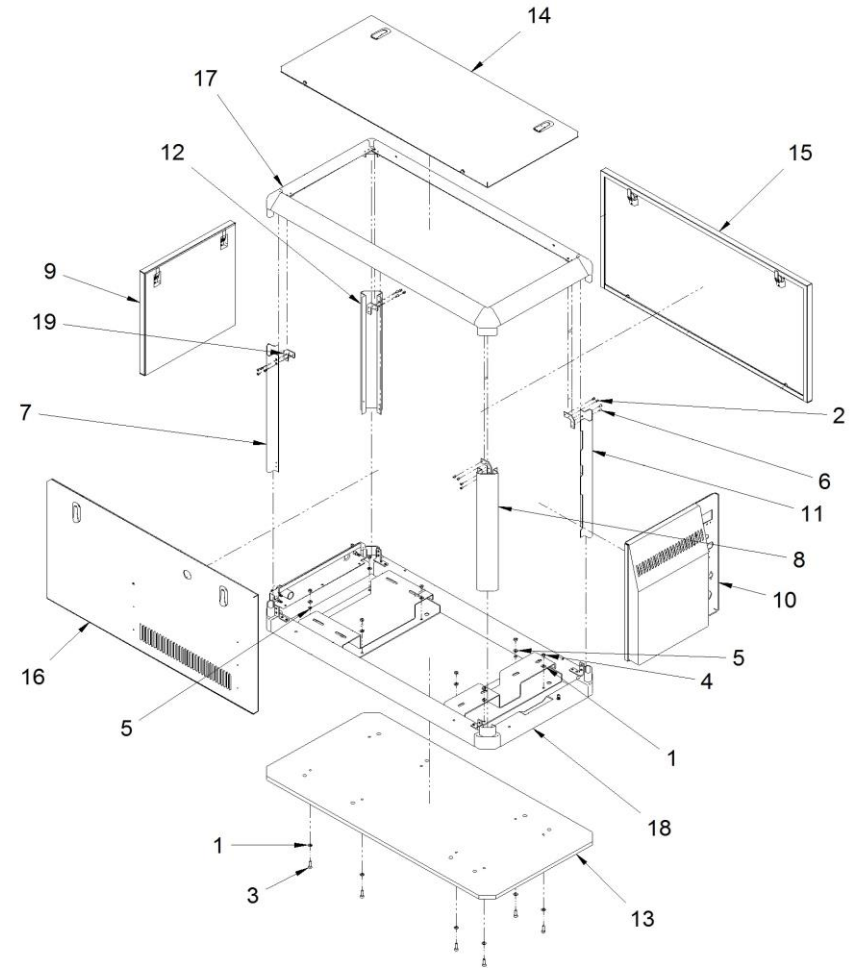


D_60571044.01		Chassis				
FIG.	REF.	QTY	DESCR.	FROM	UPTO	
1	60571044.01	1	Genset CHASSIS			



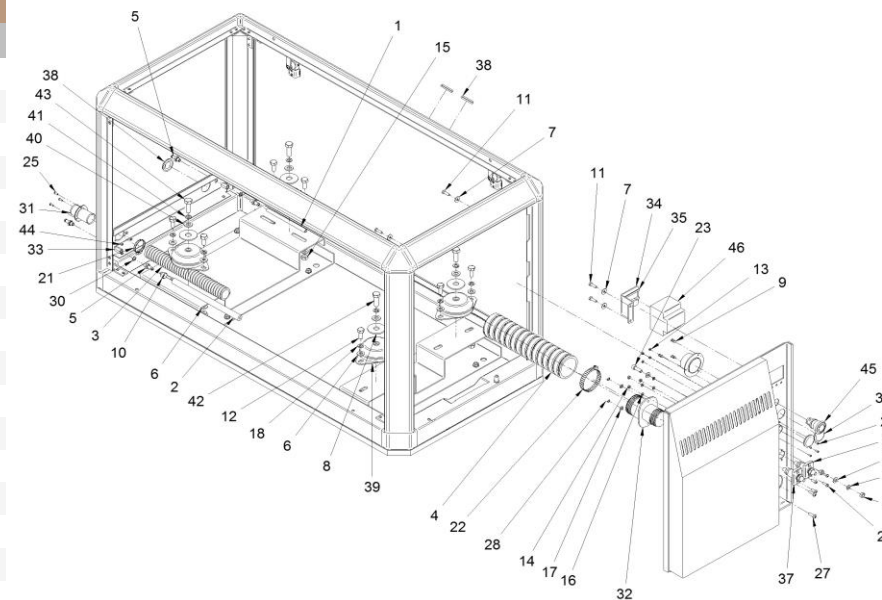


D_BJGK_4_1 Cabin						
FIG.	REF.	QTY	DESCR.	FROM	UPTO	
1	51030008	16	Washer DIN 125-8			
2	51058054	22	Aluminium Rivet 4.0 X 10			
3	52103258	8	Bolt DIN 912 M8-25 8.8			
4	52120008	8	Nut DIN 934 M8 8.8			
5	53038008	2	Washer DIN 6798-A 8			
6	53105104	8	Bolt DIN 7991 M5-10 12.9			
7	60571043.03	1	VERTICAL BAR			
8	60571043.04	1	VERTICAL BAR			
9	60571043.24	1	FrontAL Panel			
10	60571043.25	1	Back Panel			
11	60571043.31	1	VERTICAL BAR			
12	60571043.32	1	VERTICAL BAR			
13	60571044.10	1	BASEBOARD			
14	60571044.20	1	Upper Panel			
15	60571044.21	1	Side Panel			
16	60571044.22	1	Air Output Panel			
17	60571044.30	1	Upper FRAME			
18	60571044.61	1	Bottom Frame			
19	60573041.43	4	L Fastening Bracket			





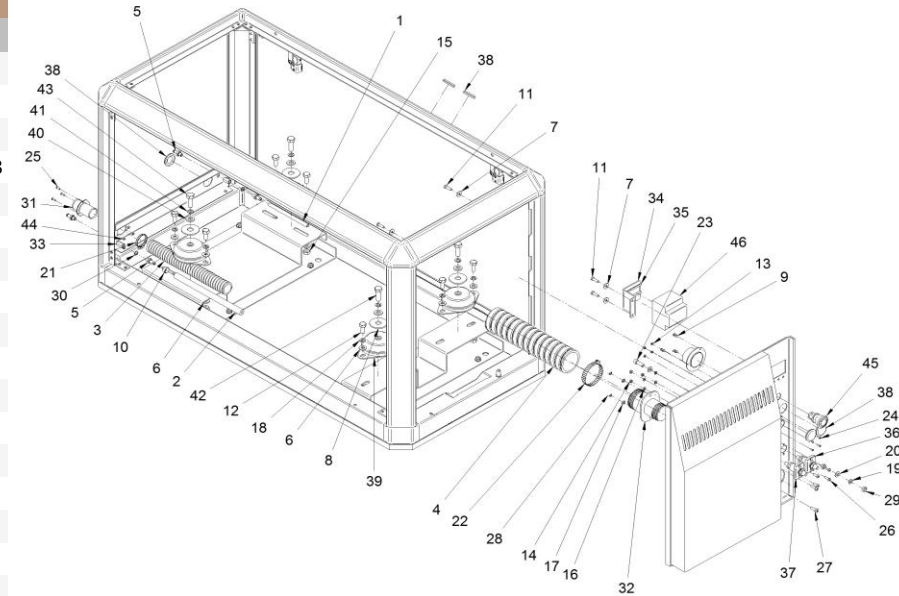
D_BJGK_4_2		Kit Cabin			
FIG.	REF.	QTY	DESCR.	FROM	UPTO
1	M80501006	1	Hose D.10-6 [NP]		
2	M81510817	1	Fuel Hose D. 8-17		
3	M87503040	1,18	Water Intake Hose (HQ) D. 30-38		
4	M88506072	0,6	Exhaust Hose D. 60		
5	13814072	4	Straight Hose Connector 1/8" NPTF		
6	51030010	16	Washer DIN 125-10		
7	51031006	4	Washer DIN 9021 6		
8	51031016	4	Washer DIN 9021 16		
9	51058054	22	Aluminium Rivet 4.0 X 10		
10	51086015	2	One Ear Clamp With Interior Ring 13-15,3		
11	52102157	4	Bolt DIN 933 M6-20 8.8		
12	52102307	80	Bolt DIN 933 M10-20 8.8		
13	52120003	4	Nut DIN 934 M3 8.8		
14	52120005	4	Nut DIN 934 M5 8.8		
15	52120010	8	Nut DIN 934 M10 8.8		
16	53033005	4	Washer GROWER DIN 127-5		
17	53033006	2	Washer GROWER DIN 127-6		
18	53033010	8	Washer GROWER DIN 127-10		
19	53038008	1	Washer DIN 6798-A 8		
20	54030008	2	Washer DIN 125-8 INOX.		
21	54082025	4	Clamp DIN 3017 25-40/12 W4		
22	54083079	2	GP Clamp 68-73 W4 STC		
23	54103258	1	Bolt DIN 912 M8-25 INOX.		
24	54118004	4	Bolt DIN 7985 M3-10 INOX		
25	54118054	3	Bolt DIN 7985 M4-10 INOX		
26	54118106	4	Bolt DIN 7985 M5-16 INOX		
27	54118157	2	Bolt DIN 7985 M6-20 INOX		
28	54120006	2	Nut DIN 934 M6 INOX		
29	54120008	2	Nut DIN 934 M8		
30	57000361	2	Washer 10-14-1,5		
31	60571015	1	Sea Water Wall PASS		
32	60571016	1	Exhaust Wall Pass D.60-50		
33	60573041.39	2	ROD Coupling 1/8 BSP		
34	60573041.42	1	L FASTENING Bracket With OMEGA		
35	60573041.64	1	Switch Disconnecter Omega Bracket		



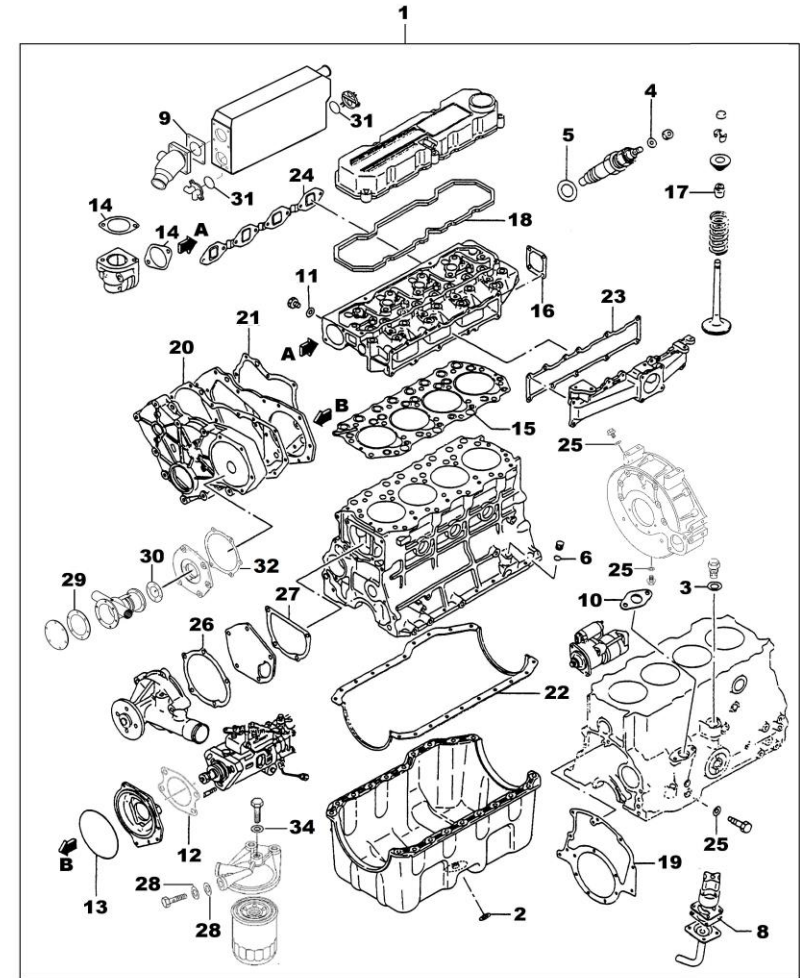
[NP] Not provided
 [NS] Not shown



D_BJGK_4_2		Kit Cabin			
FIG.	REF.	QTY	DESCR.	FROM	UPTO
36	60573047	1	Battery Plug IN		
37	60573048	1	Battery Plug IN		
38	60900508	5	Shutter 31		
39	61673001	4	Engine Mount Type F 35 SHA M12 H 34		07/03/2023
39	61673005	4	Engine Mount Type F BRB 80 B50 SHA M12 H 35	07/03/2023	
40	51030012	4	Washer DIN 125-12		
41	53033012	4	Washer Grower DIN 127-12		
42	52102359	2	Bolt DIN 933 M12-30 8.8		
43	52102360	2	Bolt DIN 933 M12-35 8.8		
44	52120004	3	Nut DIN 934 M4 8.8		
45	60900510	1	Emergency Stop PUSH BOTTOM		
46	60974085	1	FOUR PoleS 40A DISConnector		
NS	15217010	1	Bracket,wirings [NS]		
NS	52102357	1	Bolt DIN 933 M12-20 8.8 [NS]		
NS	53038012	1	Washer DIN 6798-A 12 [NS]		
NS	58018160	4	Screw [NS]		
NS	58088284	4	Pastic Cable Zip Tie [NS]		
NS	58088285	11	Pastic Cable Zip Tie [NS]		
NS	59071404	2	Clamp 40/15 W1 [NS]		
NS	60971038	1	Positive Battery RED Wiring Sec. 25 mm - 1.52 m [NS]		
NS	60971039	1	BLACK Battery NEGATIVE Wiring [NS]		
NS	60972074	1	0,44 M. Back Panel To Alt. Wiring Ground [NS]		
NS	60972090	2	TER. PROTECTIVE 20 RED [NS]		
NS	60972091	3	TER. PROTECTIVE 20 BLACK [NS]		
NS	60973048	1	BLACK Battery NEGATIVE Wiring [NS]		
NS	60975073	1	CHASSIS 0,5 M. TO MOTOR Wiring GROUND [NS]		
NS	60994045	1	Ter. Protective 32 Red [NS]		
NS	M87503242	1,6	Water Intake Hose (HQ) D. 32-42 [NS]		
NS	M88564000	0,7	Air Aspiration Hose D. 40 [NS]		
NS	M88564500	2,6	Air Aspiration Hose D. 45 [NS]		
NS	M88565000	0,3	Air Aspiration Hose D. 50 [NS]		



D_17120101G		Gasket Kit			
FIG.	REF.	QTY	DESCR.	FROM	UPTO
1	17120101G	1	Kit Gasket		
2	17120074	1	Gasket		
3	17124063	1	Gasket		
4	17424025G.1	4	Gasket Fuel Return (Genset)		
5	13824013	4	Injector Washer		
6	17120058	1	O-Ring D. 13X2,5		
8	17124041	1	Gasket,STrainer		
9	17113016	1	Gasket		
10	17120041	1	Gasket		
11	17121013	2	Gasket		
12	17425028	1	Gasket		
13	13325001	1	O-Ring		
14	17111021	2	Gasket		
15	17121004	1	Gasket, cyl.head		
16	17121011	1	Gasket, head		
17	17122054	8	Seal,Valve Stem		
18	17121010	1	Rocker Cover Gasket		
19	17120025	1	Gasket,rear		
20	17120040	1	Gasket, timing Gear		
21	17120018	1	Gasket, front plate		
22	17120033	1	Gasket,oil pan		
23	17121032	1	Gasket, in manifold		
24	17121035	1	Gasket, Exhaust Manifold		
25	17124058	3	Gasket		
26	17121022	1	Gasket Water Pump		
27	17121041	1	Gasket		
28	17424008	4	Washer,SeallNG		
29	34711003	1	Gasket Cover		
30	13310013	1	Gasket,water pump		
31	18011008	2	O-Ring D. 72X3		
32	17120042	1	Gasket,cover		
34	13324011	1	Washer		



D_UTILFA0958_1		Special Tools			
FIG.	REF.	QTY	DESCR.	FROM	UPTO
1	U3069102700	1	Valve Sheet Insert Caulking Tool - Inlet		
2	U3069102800	1	Valve Sheet Insert Caulking Tool -Exhaust		
3	U3069104500	1	Valve Spring Pusher		
4	U3069113010	1	Oil seal sleeve installer set		
5	U3069121100	1	Gauge Adapter		
6	U3069151900	1	Idler Bushing Puller		
7	U3069158100	1	Piston Guide		
8	UMM74007	1	Piston Ring Pliers		
9	U32A9100300	1	Valve Guide Remover		
10	U32C9100300	1	Valve Guide Installer		
11	U32C9100500	1	Front Oil Seal Installer		
12	U32C9110400	1	Stem seal installer		
13	19440400.2	1	Compression Manometer 10-60 Bar		
14	UMH061077	1	Idler Shaft Puller		

