



# Part list

Genset 20 GS/GSC & 25 GSA/GSAC



## PARTS LIST CATALOGUE

### NORMS TO PLACE AN ORDER

For fast and more efficient service, please specify the following information on spare parts or ders that must be preferably done by e-mail as specified below:

- 1- Engine model: As shown in identification plate
- 2- Engine serial number: As shown in identification plate and stamped on crankcase
- 3- Item description + part number + quantity required

---

Spare parts requests must be adressed to :

[orders@soleadvance.com](mailto:orders@soleadvance.com)

Telf.: +34 93 775 44 05

---

The components shown in the catalog have:

- Figure: Number by which they are represented in scheme
  - Description: Trade name of the component
  - Quantity: Total number of parts used in the assembly of the part represented (may differ from the total minimum quantities)
- Hoses, indicates the total length in meters

---

The diagrams shown in this catalog of spare parts, have only the purpose to identify the piece in question, its representation is not meaningful and may differ from the actual piece.

In case of doubt, contact Solé Advance, or your authorized dealer.

The parts i / or references in this catalog are subject to change without notice.

---

**SOLÉ, S.A.**  
C-243b, km, 2  
08760 Martorell (Barcelona) Spain

---

## Index

### Engine Body

---

Cylinder Head  
Rocker Cover & Breather  
Valve Drive  
Timing Parts  
Gear Case  
Crankcase  
Flywheel Housing  
Piston & Connecting Rod  
Crankshaft & Flywheel  
Oil System  
Oil Pan  
Engine Brackets

### Inlet & Exhaust

---

Inlet

### Cooling System

---

Water Pump  
Cooler Pipes  
Water Cooler Assy MINI-62  
Body, Water Cooler And Cap  
Cross Brace Pump from 74 to 616  
Wet Exhaust

### Fuel System

---

Fuel Pipe  
Injection Nozzle  
Fuel Injection Pump  
Governor Parts  
Parallel Actuator  
Fuel Supply Parts  
Feed Pump

### Electrical System

---

Electrical System 12V  
Electrical System 24V  
Parallel Electrical System 12V  
Parallel Electrical System 24V  
Panels for Genset  
Panel Components for Genset  
Electrical Box for Parallel  
Genset Extension  
Parallel Genset Extension

### Genset Alternator Spare Parts

---

Alternator 20 GS/GSC Y 25 GSA/GSAC  
Alt.SINCRO I 20KVA 1500RPM 230V

1 Phase SINCRO Alt. Kit. (S) ETR  
1 Phase SINCRO Alt. Kit. (C) ETR  
Alt. SINCRO Monoph. (C) 1800 ETR kit

### Chassis Spare Parts

---

Chassis

### Canopy Spare Parts

---

Cabin  
Kit Cabin

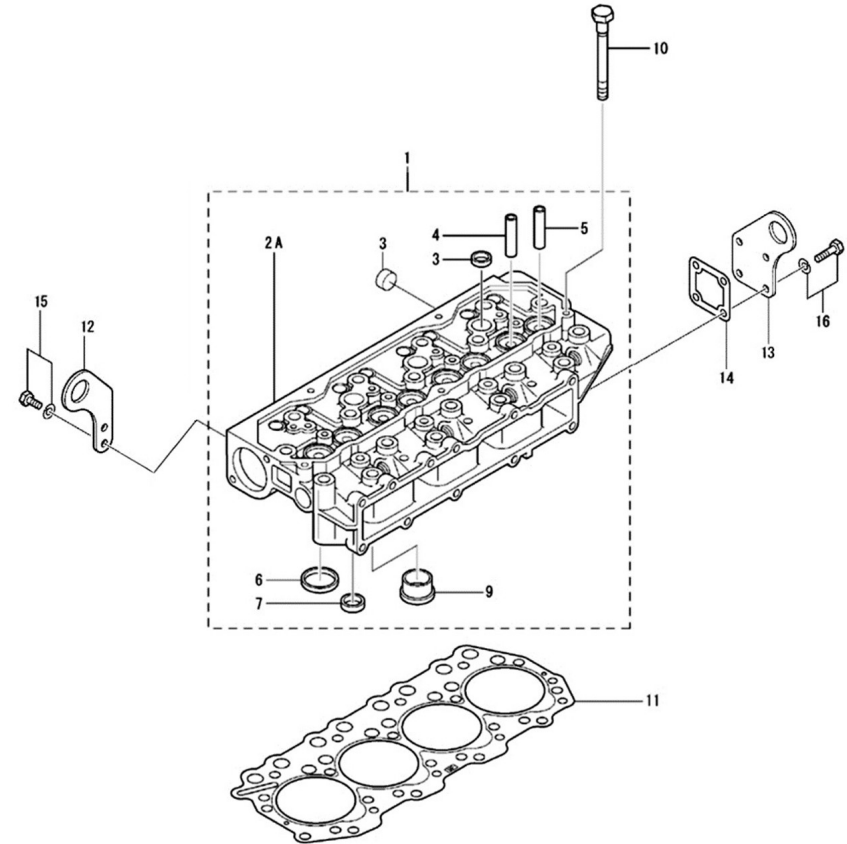
### Maintenance Kit

---

Gasket Kit  
Special Tools

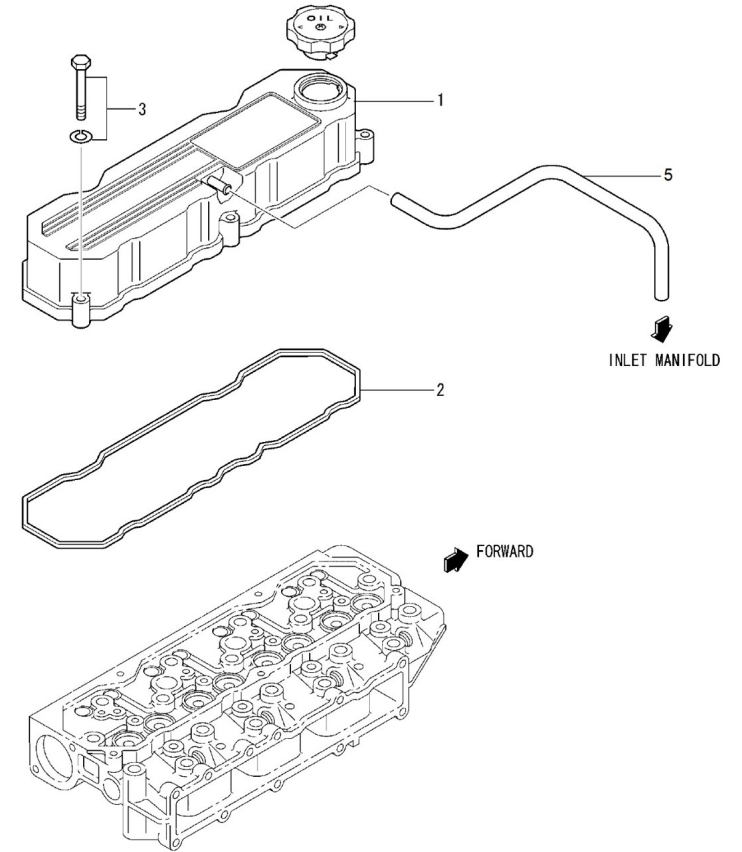
**D GK01 1 1** **Cylinder Head**

Fig.	Ref.	Qty.	Descr.	Obs	From	UpTo
1	17121001G	1	Head Assy,Cylinder			
3	13220012	7	Cap Sealing			
4	17421002	4	Guide,Valve			
5	17121003	4	Guide, valve-Exhaust			
6	17121061	4	INSERT, in			
7	17121062	4	INSERT, exh.			
9	17121015G	4	JET,COMBUSTION			
10	17121005	18	Bolt,cylinder head			
11	17121004	1	Gasket, cyl.head			
12	17120014	1	EYE,LIFTING,Front			
13	17121018	1	EYE, lifting re			
14	17121011	1	Gasket, head			
15	17422037G.1	2	Bolt W/Washer (Generator)			
16	17721012	4	Bolt,W/Washer			



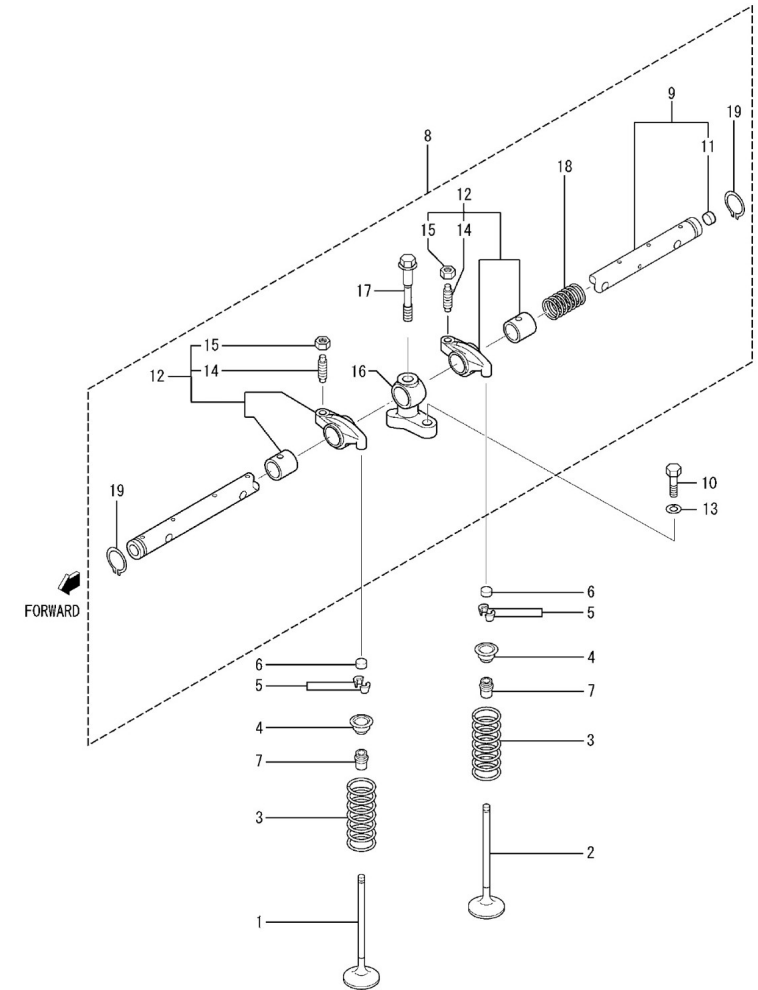
**D GK01 1 2**      **Rocker Cover & Breather**

Fig.	Ref.	Qty.	Descr.	Obs	From	UpTo
1	17121009	1	Cover Assy,Rocker			
2	17121010	1	Rocker Cover Gasket			
3	17421014G.1	5	Bolt W/Washer (Generator)			
4	13221003	1	Cap Oil FILLER			
5	17121006G	1	Hose BREATHER			



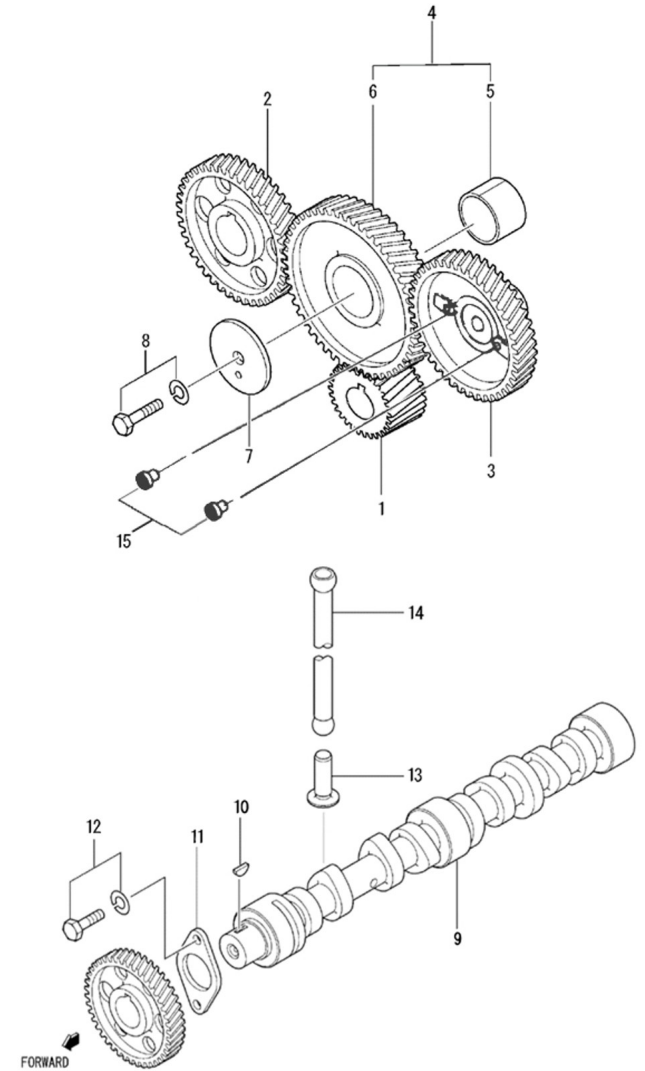
**D GK01 1 3** **Valve Drive**

Fig.	Ref.	Qty.	Descr.	Obs	From	UpTo
1	17122055	4	Intake Valve			
2	17122056	4	Exhaust Valve			
3	13322028	8	Spring, valve outler			
4	17422058	8	Retainer, Upper			
5	17122059.1	16	Cotter, Valve			
6	13322024	8	Cap			
7	17122054	8	Seal, Valve Stem			
8	(*)	8	Not available			
9	17122046	1	Shaft, Assy rocker			
10	52102258	4	Bolt DIN 933 M8-25 8.8			
11	13322023	2	Cap, Sealing			
12	17122142	8	Rocker, Assy			
13	53033008	4	Washer GROWER DIN 127-8			
14	17122044	8	Screw Adjusting			
15	17122060	8	Nut			
16	17122048	4	Bracket, rocker			
17	17122053	4	Bolt			
17	17222053.5G	4	Bolt			
18	17422047G.1	3	Spring, Rocker			
19	53040019	2	CIRclip DIN 471 E-19			



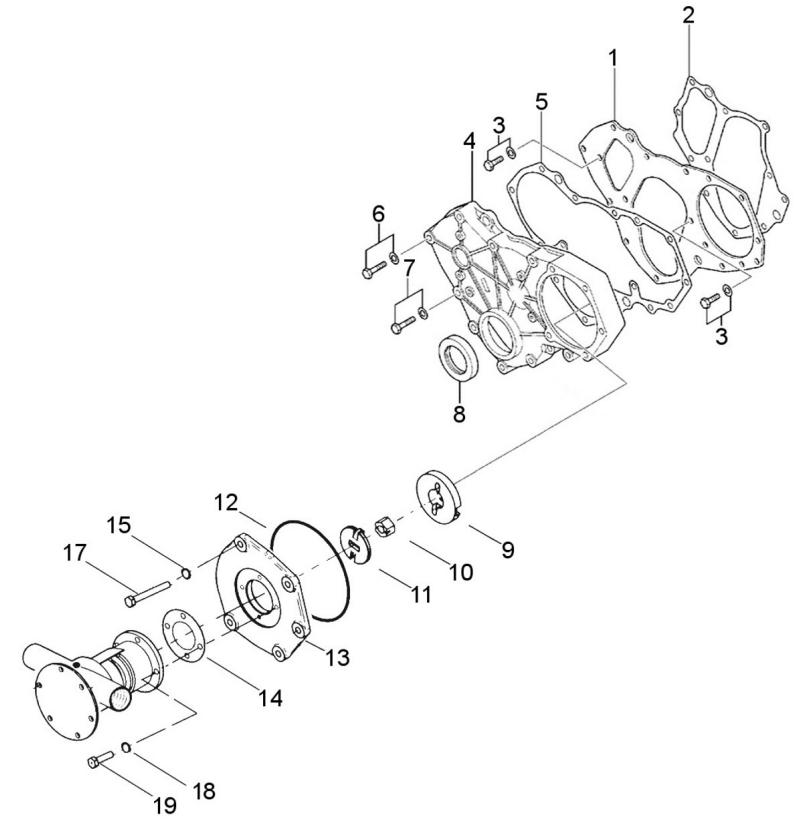
**D GK01 1 4**      **Timing Parts**

Fig.	Ref.	Qty.	Descr.	Obs	From	UpTo
1	17122019.1	1	Gear,CrankShaft			
2	17122037	1	Gear, camShaft			
3	60571031R	1	Pump gear (Spare part)			
4	17122038	1	Gear, Assy idler			
5	17122039	1	Bushing, idler			
6	(*)	1	Not available			
7	17122032	1	Plate, thrust			
8	17720010	1	Bolt,W/Washer			
9	17122035.1	1	CamShaft			
10	13322034	1	Key Woodruff			
11	17422075	1	Plate,THRUST			
12	17524058	2	Bolt,W/Washer			
13	17122061	8	Tappet			
14	17122041	8	Rod, push			



**D GK01 1 5** **Gear Case**

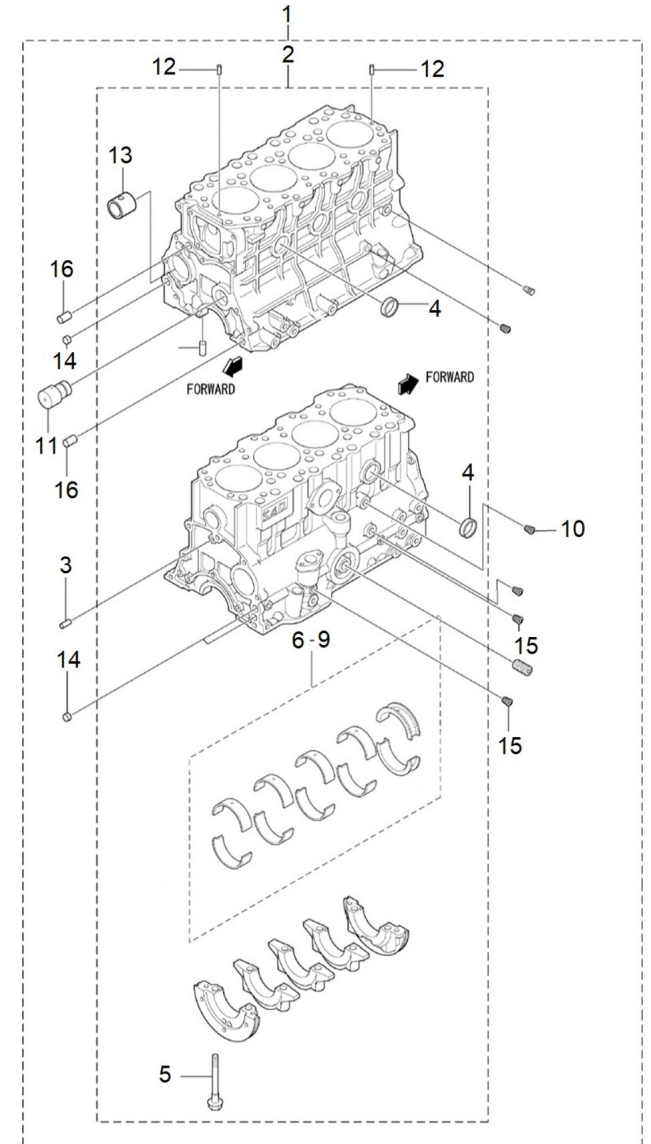
Fig.	Ref.	Qty.	Descr.	Obs	From	UpTo
1	17120024	1	Plate, front			
2	17120018	1	Gasket, front plate			
3	17524058	2	Bolt,W/Washer			
4	17120035G	1	Case,TIMING Gear			
5	17120040	1	Gasket, timing Gear			
6	17421014G.1	1	Bolt W/Washer (Generator)			
7	17121014G	8	Bolt, w/washer			
8	17120039	1	Seal, oil			
9	17411026	1	Coupling Drive			
10	52120012	1	Nut DIN 934 M12 8.8			
11	15310072	1	CrossHead Jaw Coupling			
12	17120042	1	Gasket,cover			
13	60571030	1	Water Pump Bracket			
14	13310013	1	Gasket,water pump			
15	53038008	5	Washer DIN 6798-A 8			
17	52101266	5	Bolt DIN 931 M8-65 8.8			
18	51030006	4	Washer DIN 125-6			
19	52103156	4	Bolt DIN 912 M6-16 8.8			





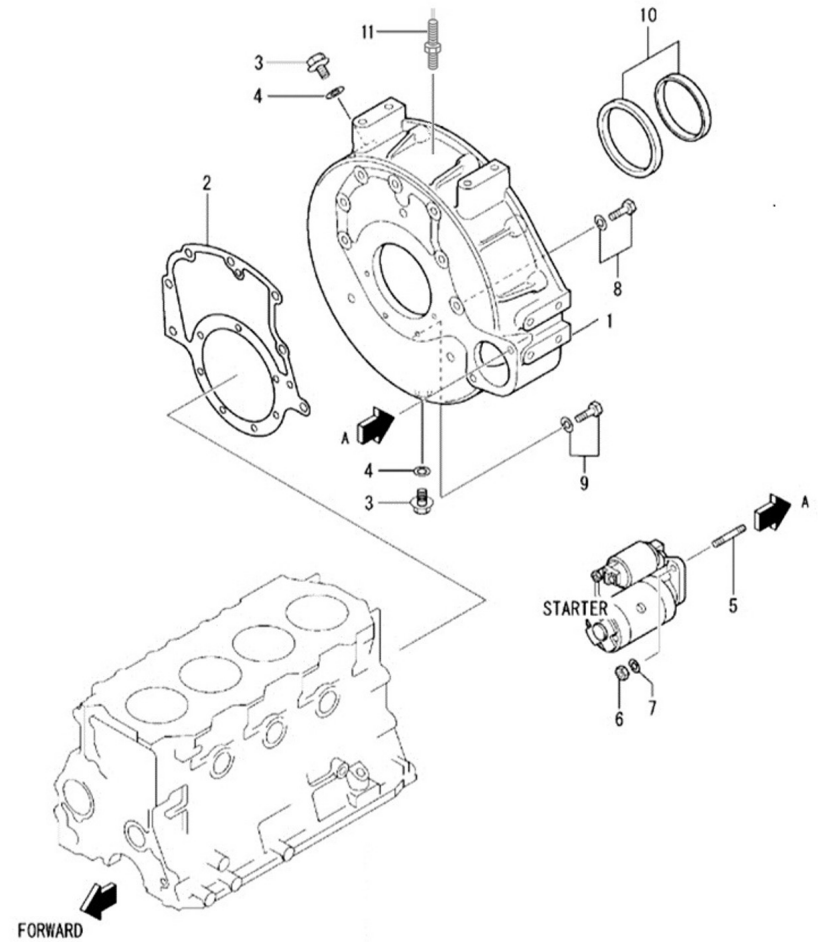
**D GK01 1 6** **Crankcase**

Fig.	Ref.	Qty.	Descr.	Obs	From	UpTo
1	17120001G	1	CRANKCase, Assy			
2	(*)	1	Not available			
3	17120026	4	Pin, dowel			
4	13320006	6	Cap, Sealing			
5	17120009	10	Bolt Bearing Cap			
6	17120003	1	Crankshaft Bearing Set			
7	17120004	1	METAL, main set -0.25			
8	17120005	1	METAL, main set -0.50			
9	17120006	1	METAL, main set -0.75			
10	17120021	1	Plug,taper			
11	17120034	1	Shaft, idler			
12	17120019	2	Pin, dowel			
13	17120013.1	1	Bushing,CamShaft			
14	17120012	3	Cap, SealING			
15	17820011	2	Plug, Tapered			
16	17420036	2	Pin,Dowel			



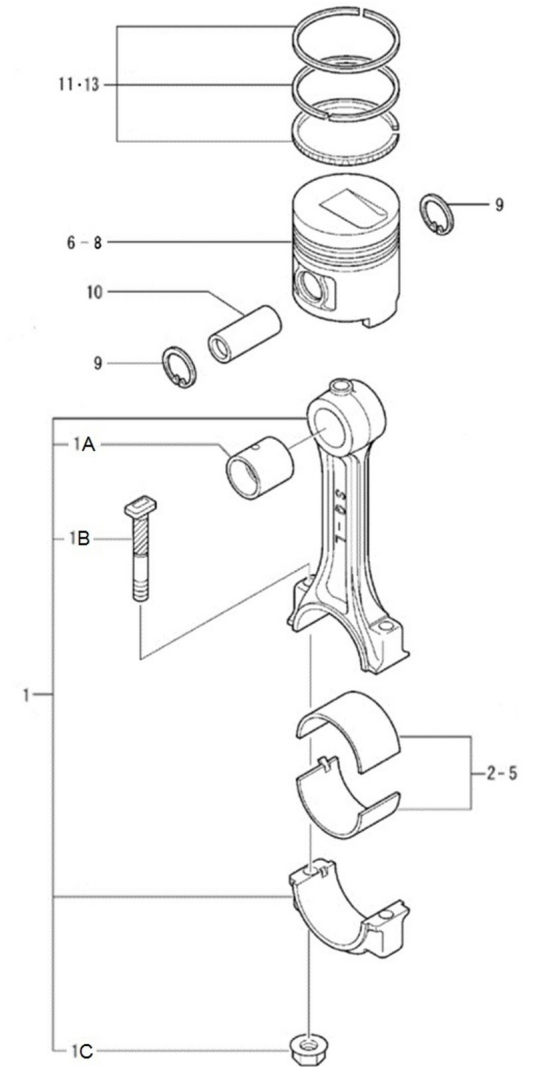
**D GK01 1 7 Flywheel Housing**

Fig.	Ref.	Qty.	Descr.	Obs	From	UpTo
1A	17120002G	1	Housing,Flywheel			
Figure A for Standard System						
1B	17420007G.3	1	Flyweel Housing Pickup			
Figure b for Parallel System						
2	17120025	1	Gasket,rear			
3	17121016	2	Plug, drain			
4	17121013	2	Gasket			
5	17120044	2	Stud			
6	13127002	2	Nut			
7	53033010	2	Washer GROWER DIN 127-10			
8	17327129.2	7	Bolt			
9	17120062G	4	Bolt,w/washer			
10	13320063	1	Seal Oil			
11B	60972519	1	Magnetic Speed Sensor			
Figure b for Parallel System						



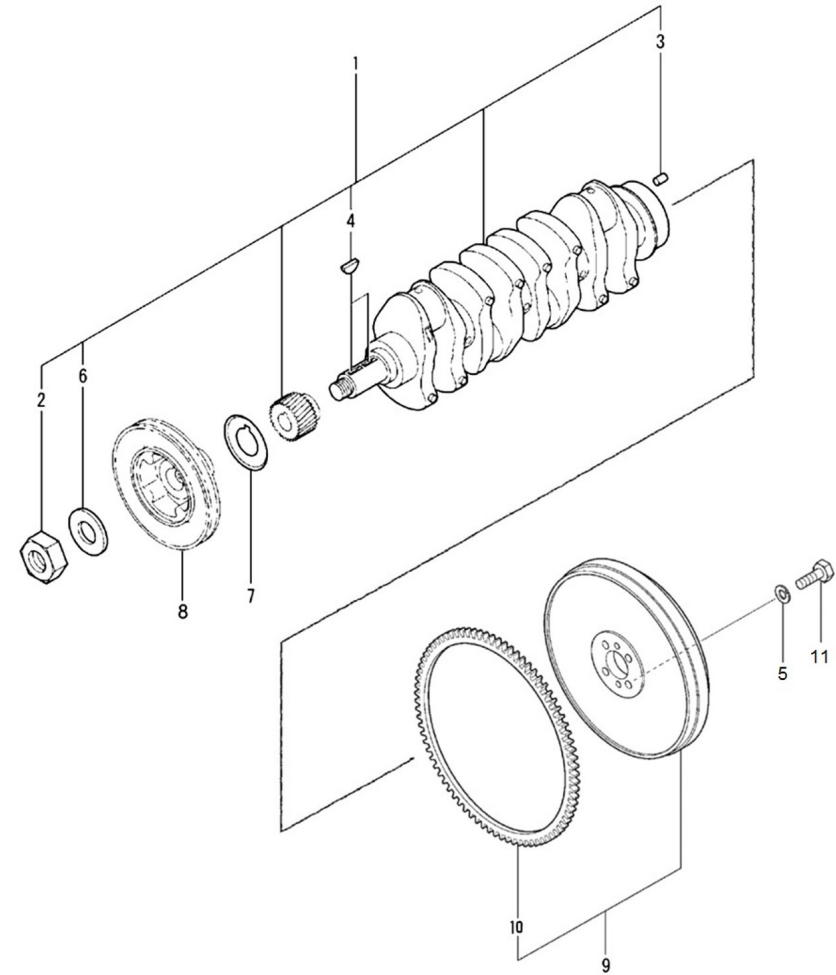
**D GK01 1 8** **Piston & Connecting Rod**

Fig.	Ref.	Qty.	Descr.	Obs	From	UpTo
1	17122012G	4	ROD, Assy connecting			
1A	17122033	4	Bushing, con-rod			
1B	17122013	8	Bolt,connecting rod			
1C	17122011	8	Nut,connecting rod			
2	17422014	1	Bearing Set,Con-Rod,STD.			
3	17422015	1	Bearing Set,Con-Rod,U.S -0,25			
6	17122001G	4	Piston STD.			
7	17122002G	4	Piston +0.25			
8	17122003G	4	Piston +0.50			
9	53041028	8	CIRclip DIN 472 I-28			
10	17122009	4	Pin, piston			
11	17122006	1	Ring,Set Piston STD.			
12	17122007	1	Ring,set piston o.s 0.25			
13	17122008	1	Ring, set piston o.s 0.50			



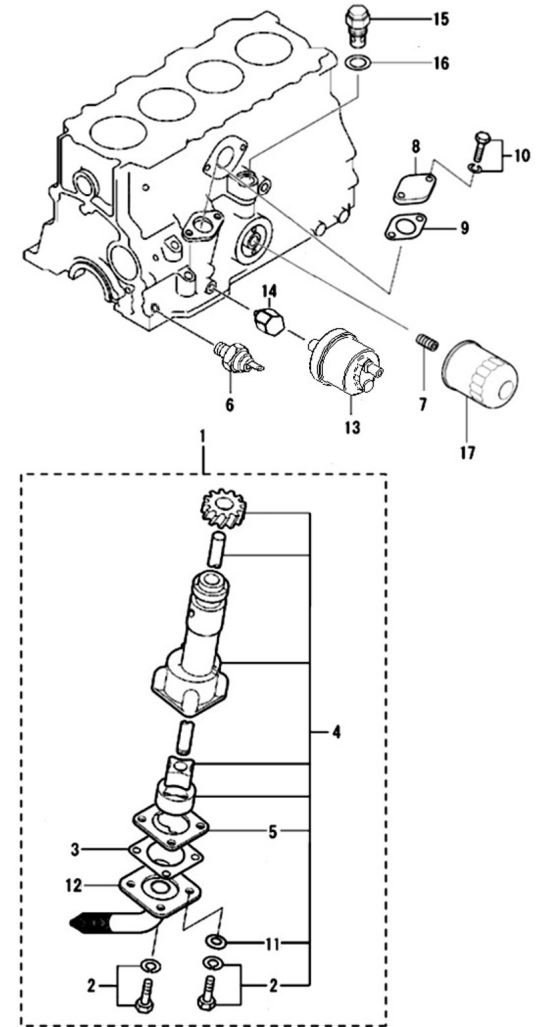
**D GK01 1 9** Crankshaft & Flywheel

Fig.	Ref.	Qty.	Descr.	Obs	From	UpTo
1	17122018G	1	CrankShaft, Assy			
2	17122026	1	Nut, jam			
3	13322059	2	Pin			
4	13322034	2	Key Woodruff			
5	53033012	4	Washer Grower DIN 127-12			
6	17122023	1	Washer			
7	17122025	1	Plate			
8	17122024G	1	Pulley CrankShaft			
9	17122027G	1	Flywheel, Assy			
10	17122029	1	Gear, ring			
11	13322065	4	Bolt			



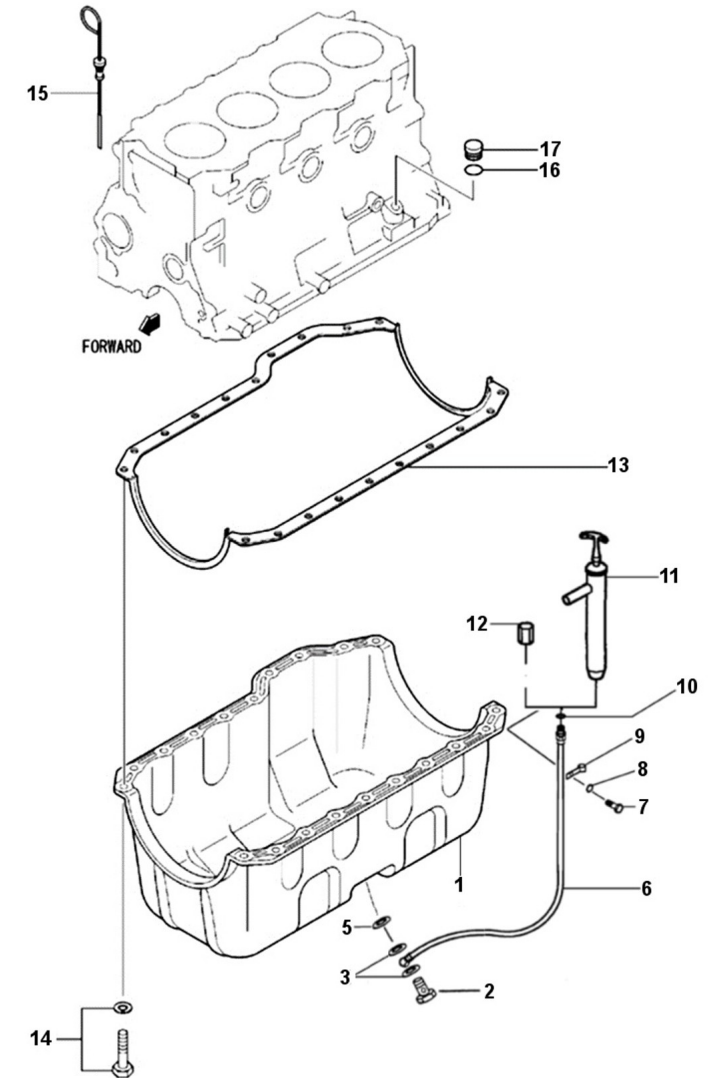
**D GK01 1 10 Oil System**

Fig.	Ref.	Qty.	Descr.	Obs	From	UpTo
1	17124042	1	Pump Assy,oil			15/06/2016
2	52102157	4	Bolt DIN 933 M6-20 8.8		15/06/2016	
3	17124041	1	Gasket,STrainer		15/06/2016	
4	17124046	1	Pump, Assy oil		15/06/2016	
5	17124061	1	Cover		15/06/2016	
6A	17427027G	1	SWITCH,Oil Pressure (Generator)			
Figure A for Standard System						
6B	60900979	1	Earth Isolated Oil Press Switch 0.5 Bar M10x1 SG			
Figure b for Parallel System						
7	17124047	1	Shaft,oil filter		15/06/2016	
8	17120037G	1	Cover		15/06/2016	
9	17120041	1	Gasket		15/06/2016	
10	17421012G.1	2	Bolt W/Washer (Generator)		15/06/2016	
11	17427004G	2	Washer,Plain		15/06/2016	
12	17124052	1	STrainer, oil		15/06/2016	
13A	60900985	1	Pressure Sensor			
Figure A for Standard System						
13B	60900990	1	Sender, Oil Press 10 Bar Bipolar + Washer			
Figure b for Parallel System						
14	17117052	1	Oil Pressure Sensor Adaptor		15/06/2016	
15	17124072	1	Valve, Assy			
16	17424063	1	Gasket		15/06/2016	
17	13924051	1	Oil Filter Element MINI-62		15/06/2016	



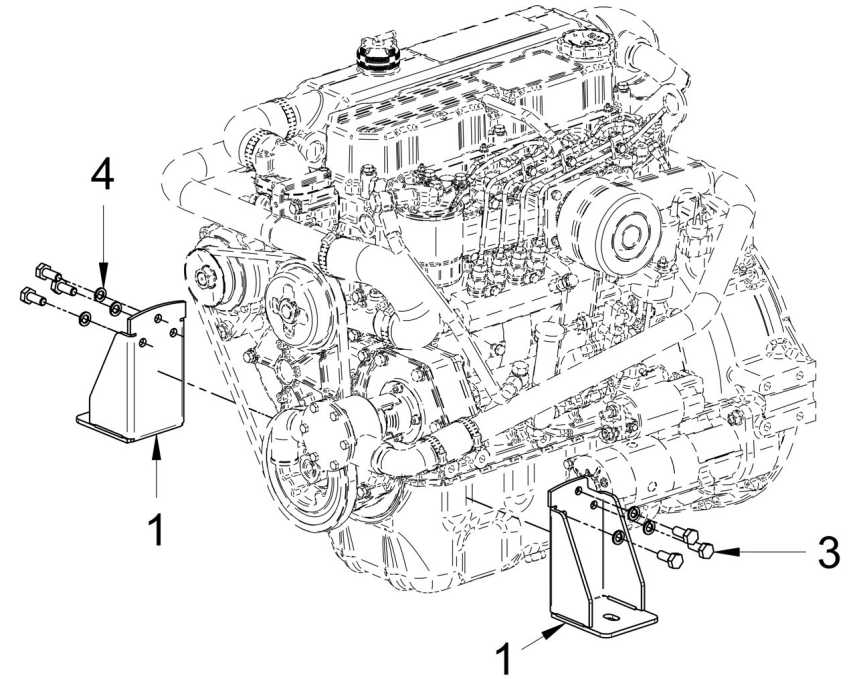
**D GK01 1 11 Oil Pan**

Fig.	Ref.	Qty.	Descr.	Obs	From	UpTo
1	17120030G	1	PAN, Assy oil			
2	12814051	1	Screw,eye			
3	56000069	2	Washer 14-20-1,5			
5	17120074	1	Gasket			
6	17114021	1	Extraction Hose			
7	52102358	1	Bolt DIN 933 M12-25 8.8			
8	53033010	1	Washer GROWER DIN 127-10			
9	17214022	1	Bracket, Pipe			
10	56000067	1	Washer 13-20-1,5			
11	14714001	1	Oil Extraction Pump			
12	16514020	1	Plug			
13	17120033	1	Gasket,oil pan			
14	17524058	20	Bolt,W/Washer			
15	17120029	1	Gauge Oil LEVEL			
16	17120058	1	O-Ring D. 13X2,5			
17	17120059	1	Plug			



**D GK01 1 12**      **Engine Brackets**

<i>Fig.</i>	<i>Ref.</i>	<i>Qty.</i>	<i>Descr.</i>	<i>Obs</i>	<i>From</i>	<i>UpTo</i>
1	17110002G	2	Front Bracket			
3	52202307	6	Bolt DIN 933 M10-1,25-20 8.8			
4	53033010	6	Washer GROWER DIN 127-10			

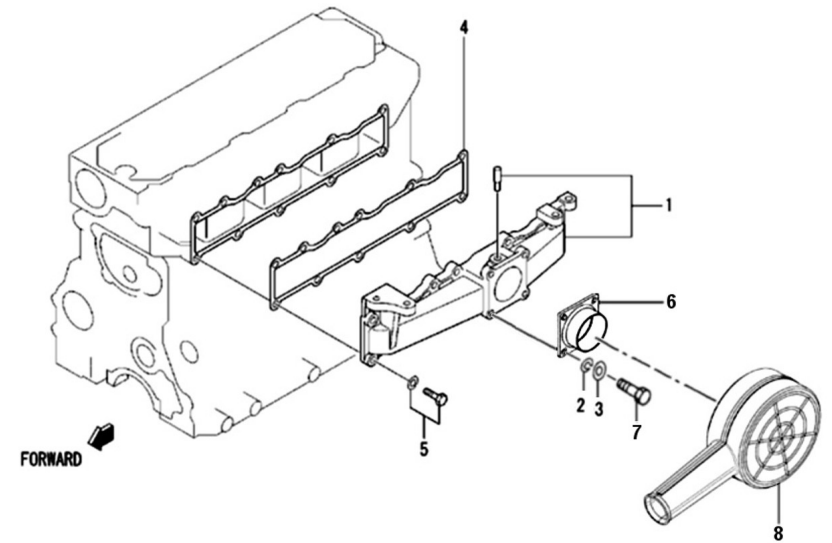


**Genset 20 GS/GSC & 25 GSA/GSAC**

**Inlet & Exhaust**

**D GK01 2 1 Inlet**

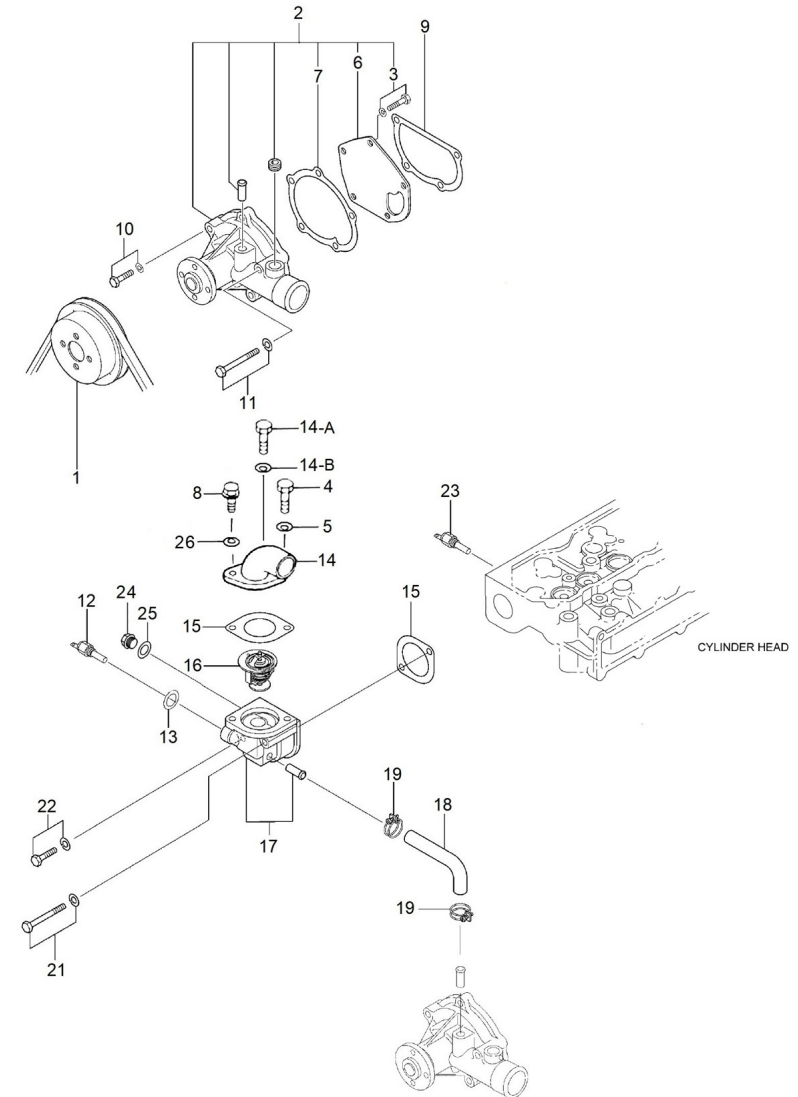
<i>Fig.</i>	<i>Ref.</i>	<i>Qty.</i>	<i>Descr.</i>	<i>Obs</i>	<i>From</i>	<i>UpTo</i>
1	17121030	1	Manifold, Assy inlet			
2	53033006	4	Washer GROWER DIN 127-6			
3	51030006	4	Washer DIN 125-6			
4	17121032	1	Gasket, in manifold			
5	17721012	11	Bolt,W/Washer			
6	60571032	1	Air Intake Cover			
7	52102156	4	Bolt DIN 933 M6-16 8.8			
8	13810074	1	Air Filter			





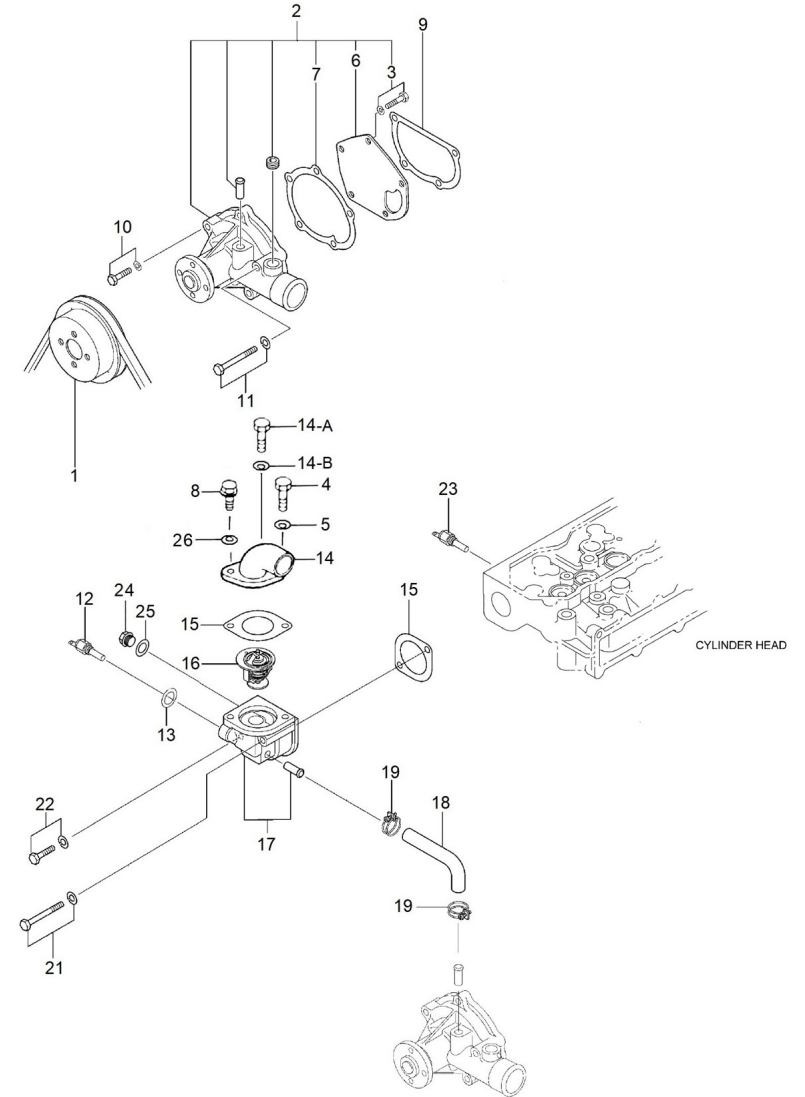
**D GK01 3 1 Water Pump**

Fig.	Ref.	Qty.	Descr.	Obs	From	UpTo
1	17121021	1	Pulley,Water Pump			
2	17121020G	1	Pump, Assy water			
3	17121012	1	Bolt, w/washer			
4	52101263	1	Bolt DIN 931 M8-50 8.8			
5	53038008	1	Washer DIN 6798-A 8			
6	17121042	1	Cover, water pump			
7	17121022	1	Gasket Water Pump			
8	17121060	1	Bolt			08/02/2023
8	52102259	1	Bolt DIN 933 M8-30 8.8		08/02/2023	
9	17121041	1	Gasket			
10	17421014G.1	3	Bolt W/Washer (Generator)			
11	17121039G	1	Bolt, w/washer			
12A	60900980	1	Temperature Sensor			
			Figure A for Standard System			
12B	60900983	1	Bipolar Temperature Sender SG			
			Figure b for Parallel System			
13	56000073	1	Copper Washer 16-23-1,5			
14	17111020	1	Fitting,water outlet			
14A	13811035	1	Bolt,bleed			
14B	56000053	1	Washer 6-10-1,5			
15	17111021	2	Gasket			
16	17121027	1	Thermostat			
17	17421037	1	Case Assy,Thermostat			
18	17121025	1	Hose, by-pass			
19	17121036	2	Clamp, hose			
21	17421019G.1	1	Bolt,W/Washer (Generator)			
22	17421038	1	Bolt,W/Washer			
23A	174270802	1	Temperature Switch			
			Figure A for Standard System			
23B	60900973	1	High Coolant, 2 Poles 95° SG			
24	17121016	1	Plug, drain			



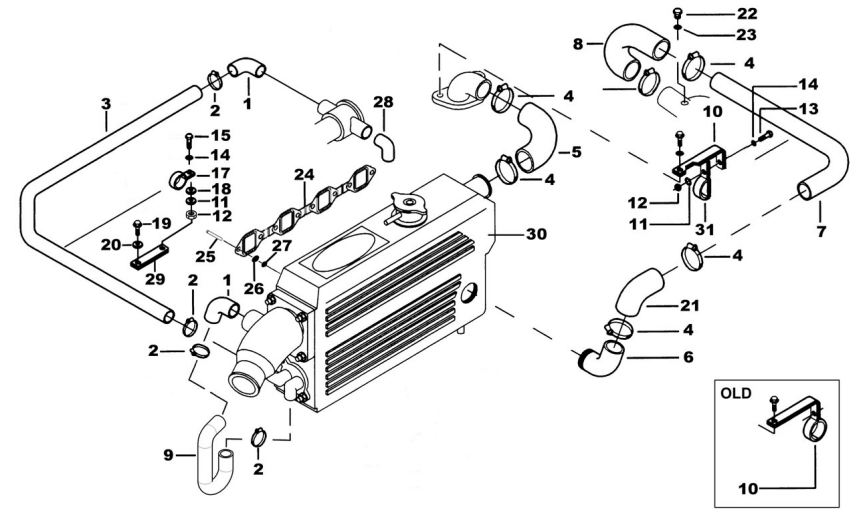
**D GK01 3 1**      **Water Pump**

Fig.	Ref.	Qty.	Descr.	Obs	From	UpTo
25	17121013	1	Gasket			
26	53033008	1	Washer GROWER DIN 127-8		08/02/2023	



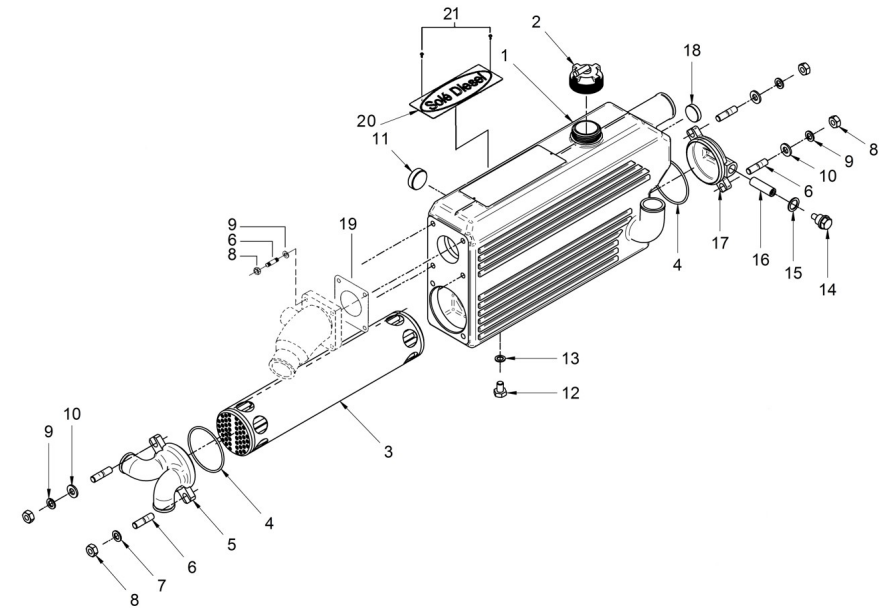
**D GK01 3 2 Cooler Pipes**

Fig.	Ref.	Qty.	Descr.	Obs	From	UpTo
1	14711021	2	Elbow N°1			
2	54082025	8	Clamp DIN 3017 25-40/12 W4			
3	M87503242	1	Water Intake Hose (HQ) D. 32-42			
4	54082032	6	Clamp DIN 3017 32-50/12 W4			
5	17111022	1	Elbow			
6	17111011	1	Elbow 1 1/8"			
7	17011022	1	Pipe,from cooler to engine			
8	16711016	1	Rubber Elbow			
9	16111012	1	Hose			
10	17111029	1	Bracket Clamp			23/01/2023
10	17511014	1	Bracket		23/01/2023	
11	53033006	2	Washer GROWER DIN 127-6			
12	52120006	1	Nut DIN 934 M6 8.8			
13	52102156	1	Bolt DIN 933 M6-16 8.8			
14	51030006	2	Washer DIN 125-6			
15	52102157	1	Bolt DIN 933 M6-20 8.8			
17	59071452	1	Clamp 1 42/15 W1			
18	51031006	1	Washer DIN 9021 6			
19	52202307	1	Bolt DIN 933 M10-1,25-20 8.8			
20	53033010	1	Washer GROWER DIN 127-10			
21	15211026	1	Elbow,rubber			
22	12111076	1	Plug			
23	56000073	1	Copper Washer 16-23-1,5			
24	17121035	1	Gasket, Exhaust Manifold			
25	13311006	8	Stud,cover			
26	17120049	8	Nut M8			
27	51030008	8	Washer DIN 125-8			
28	60180007	1	Outlet Coupling			
29	13817011	1	Bracket			
30	17111000GR	1	Water Cooler Assy MINI-62 (Spare Part)			
31	59071383	1	Clamp TYP.1 38/15 W1		23/01/2023	



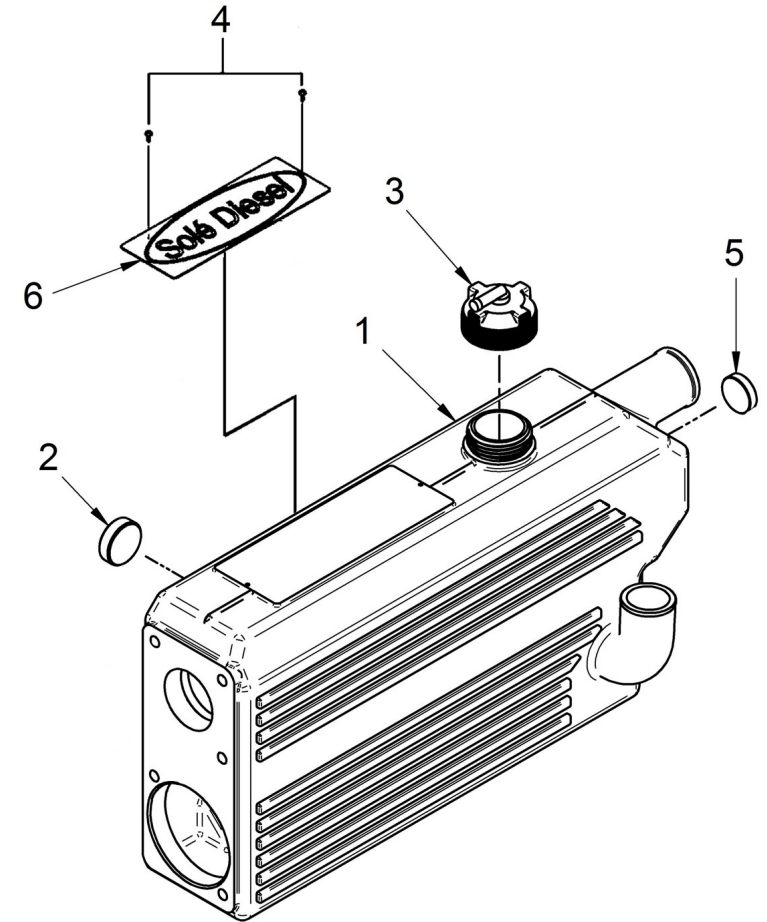
**D 17111000R Water Cooler Assy MINI-62**

Fig.	Ref.	Qty.	Descr.	Obs	From	UpTo
1	17111001	1	Body, Water Cooler			
2	13811010	1	Cap			
3	17111004	1	Tubular Bundle			
4	18011008	2	O-Ring D. 72X3			
5	18011003	1	Water Cooler Cover			
6	16511007	8	Stud			
7	51035010	1	Washer DIN 433 10			
8	52120010	8	Nut DIN 934 M10 8.8			
9	53033010	8	Washer GROWER DIN 127-10			
10	51030010	3	Washer DIN 125-10			
11	16513004	1	Plug 1"			
12	54102306	1	Bolt DIN 933 M10-16 INOX.			
13	56000061	1	Washer 10-16-1,5			
14	18011009	1	Anode Plug			
15	56000073	1	Copper Washer 16-23-1,5			
16	18011031	1	Engine Anode 45 mm M.8			
17	18011002	1	Water Cooler Cover			
18	12113092	1	Plug			
19	17113016	1	Gasket			
20	17111060	1	Plate "SOLE Diesel"			
21	17111062	2	Bolt			



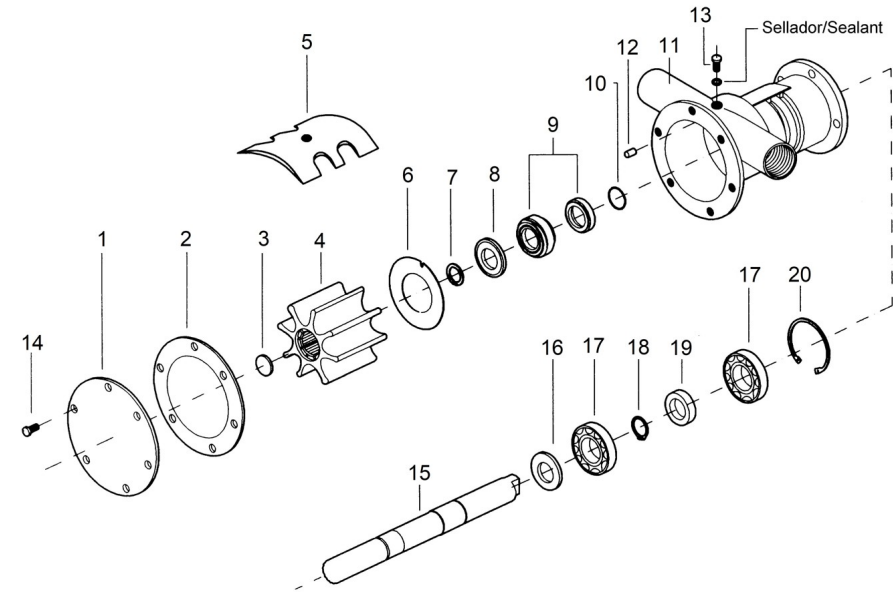
**17111001C Body, Water Cooler And Cap**

Fig.	Ref.	Qty.	Descr.	Obs	From	UpTo
1	17111001	1	Body, Water Cooler			
2	16513004	1	Plug 1"			
3	13811010	1	Cap			
4	17111062	2	Bolt			
5	12113092	1	Plug			
6	17111060	1	Plate "SOLE Diesel"			



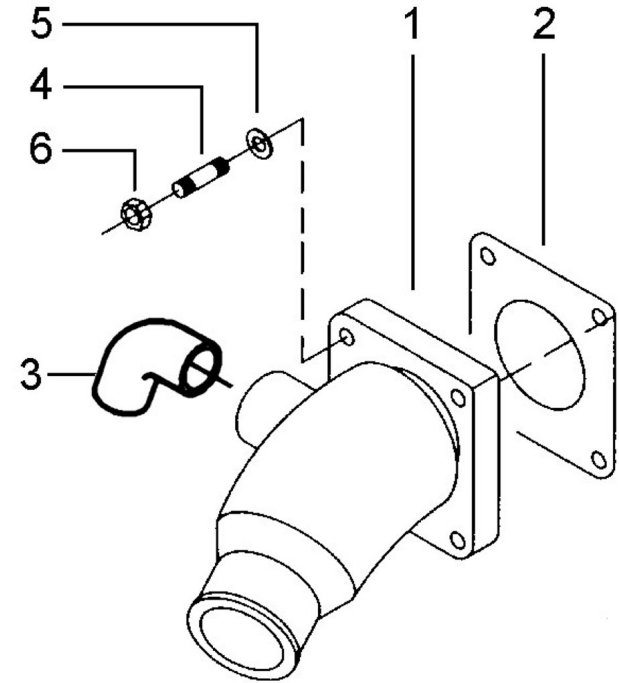
**36511000 Cross Brace Pump from 74 to 616**

Fig.	Ref.	Qty.	Descr.	Obs	From	UpTo
1	34711002	1	Cover Pump			
2	34711003	1	Gasket Cover			
3	34711041	1	Impeller Plug			
4	34711008	1	1" Impeller			
5	34711005	1	Cam			
6	34711026	1	Plate,Friction			
7	54040016	1	CIRclip E-16			
8	36511018	1	Washer,seal			
9	36511019	1	Seal			
10	33311013	1	O-Ring D. 15X2			
11	36511001	1	Body,water pump			
12	36511017	1	Pin,Dowel			
13	54108154	1	Bolt DIN 84 M6-10			
14	54102154	6	Bolt DIN 933 M6-10 INOX			
15	36511010	1	Shaft,pump			
16	36511015	1	Spacer 17X24X7			
17	33311014	2	Ball Bearing 6203			
18	53040017	1	Circlip DIN 471 E-17			
19	36511020	1	Seal 16-30-7			
20	53041040	1	Circlip DIN 472 I-40			



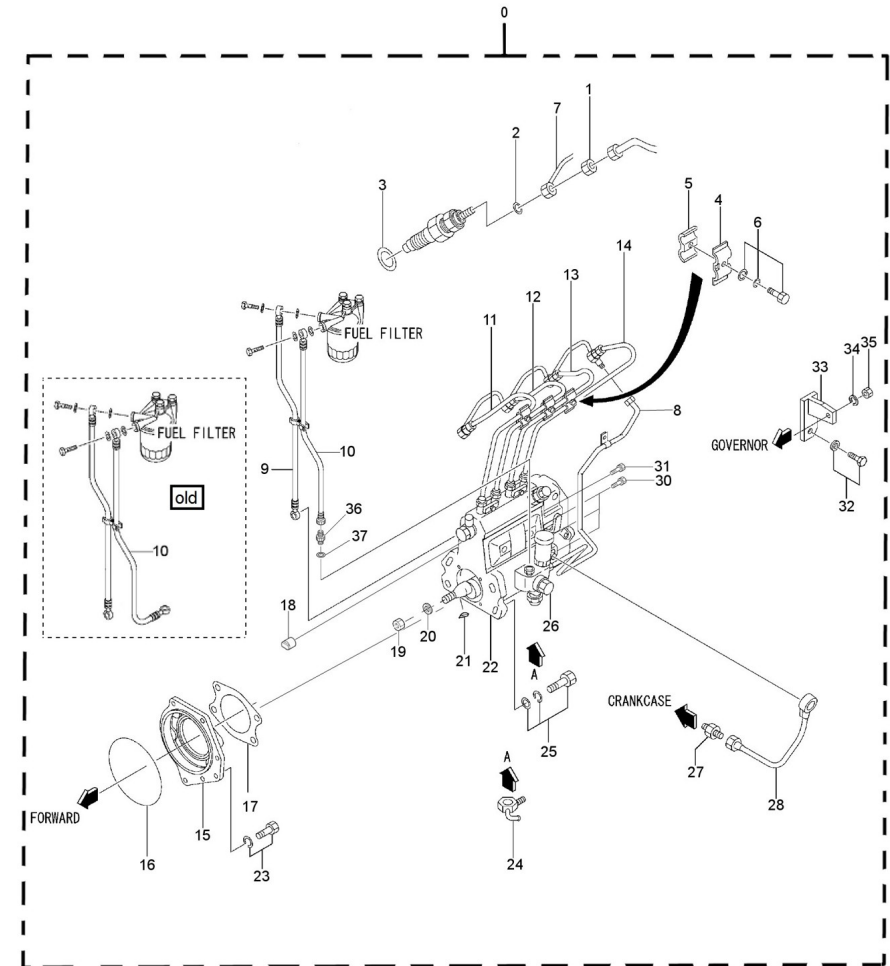
**D MI62 3 3** **Wet Exhaust**

Fig.	Ref.	Qty.	Descr.	Obs	From	UpTo
1	17113015	1	Elbow,wet exhaust			
2	17113016	1	Gasket			
3	14711021	1	Elbow N°1			
4	16511007	4	Stud			
5	51030010	4	Washer DIN 125-10			17/10/2017
5	53033010	4	Washer GROWER DIN 127-10		18/10/2017	
6	55120110	4	Nut DIN 934 M10			



**D GK01 4 1 Fuel Pipe**

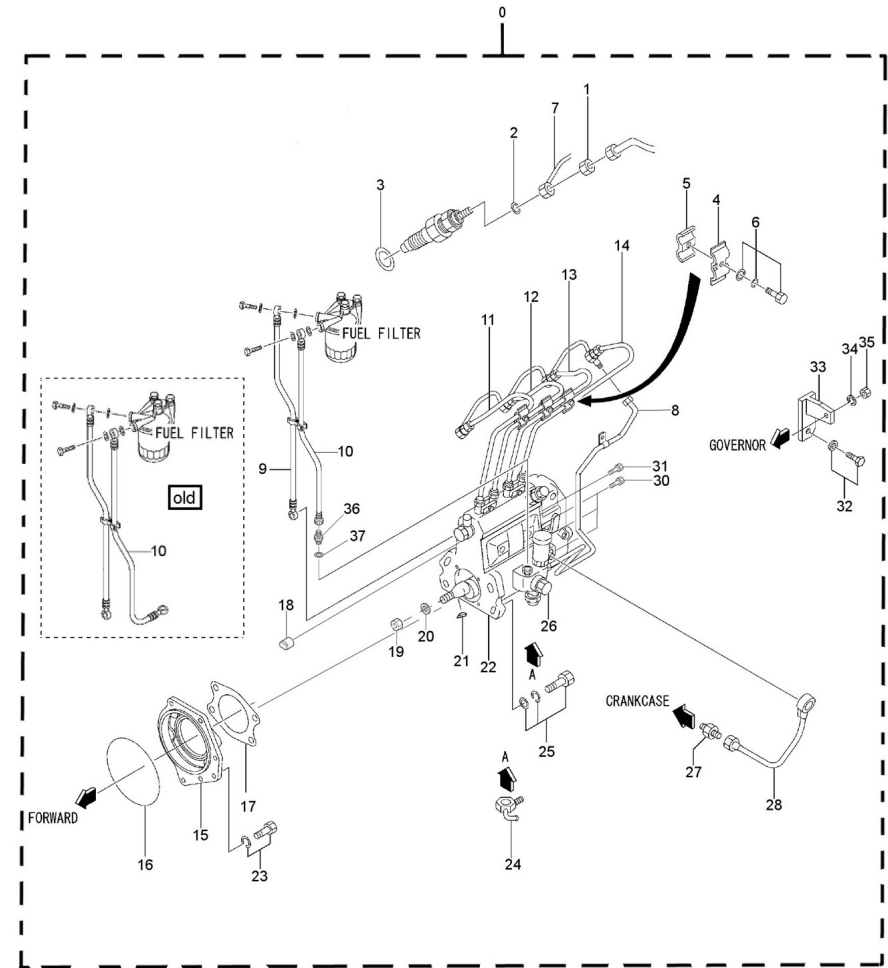
Fig.	Ref.	Qty.	Descr.	Obs	From	UpTo
0	17125001G.1	1	Pump, Assy INJ.Generator			
1	13824024	4	Nut			
2	17424025G.1	4	Gasket Fuel Return (Genset)			
3	13824013	4	Injector Washer			
4	13124018	3	Clamp (A)			
5	13124017	3	Clamp (B)			
6	13124019	3	Bolt			
7	17124005	1	Pipe, Fuel Leak OFF			
8	17124006G	1	Pipe,fuel return			
9	17124007G	1	Hose,fuel feed			
10	17124008G	1	Hose,fuel feed			02/10/2018
10	17A24007	1	Hose Fuel		03/10/2018	
11	17124015G	1	Pipe,Injection N.1			
12	17124016G	1	Pipe,Injection N.2			
13	17124019G	1	Pipe,Injection N.3			
14	17124022G	1	Pipe,Injection N.4			
15	17125005G	1	Flange, inj.pump			
16	13325001	1	O-Ring			
17	17425028	1	Gasket			
18	13325203	1	SLEEVE LIMIT			
19	13325274	1	Nut			
20	13325273	1	Washer			
21	13325268	1	KEY WOODRUFF			
22	(*)	1	Not available			
23	17125004.1	1	Bolt			
24	17424027	1	JOINT,EYE			
25	17425029	4	Bolt,W/Washer			
26	13325100	1	Pump Feed			
27	17424032	1	Connector			
28	17125010G	1	Pipe,oil			
30	17425004	6	Bolt,W/Washer			





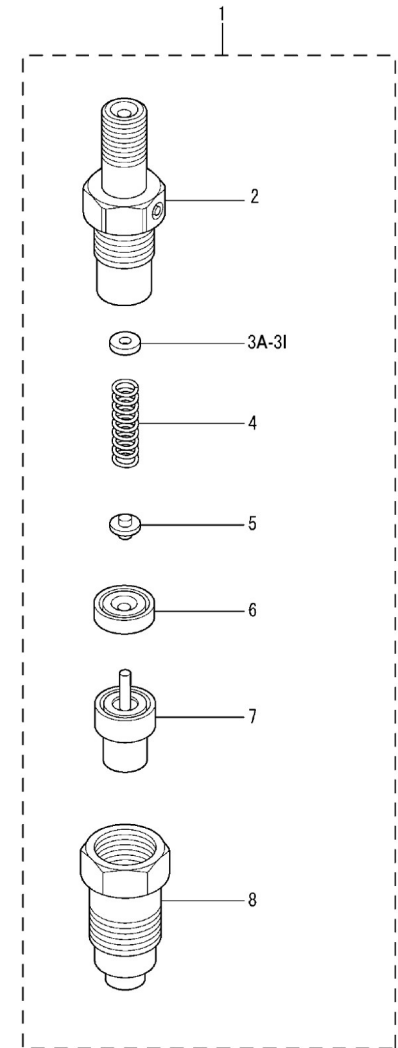
**D GK01 4 1 Fuel Pipe**

Fig.	Ref.	Qty.	Descr.	Obs	From	UpTo
31	17425003	1	Bolt,W/Washer			
32	13322079	1	Bolt			
33	17125006G	1	Bracket,pump			
34	13321016	1	Washer Spring			
35	17120049	1	Nut M8			
36	17A24003	1	Nipple		03/10/2018	
37	17424008	1	Washer,SealING		03/10/2018	



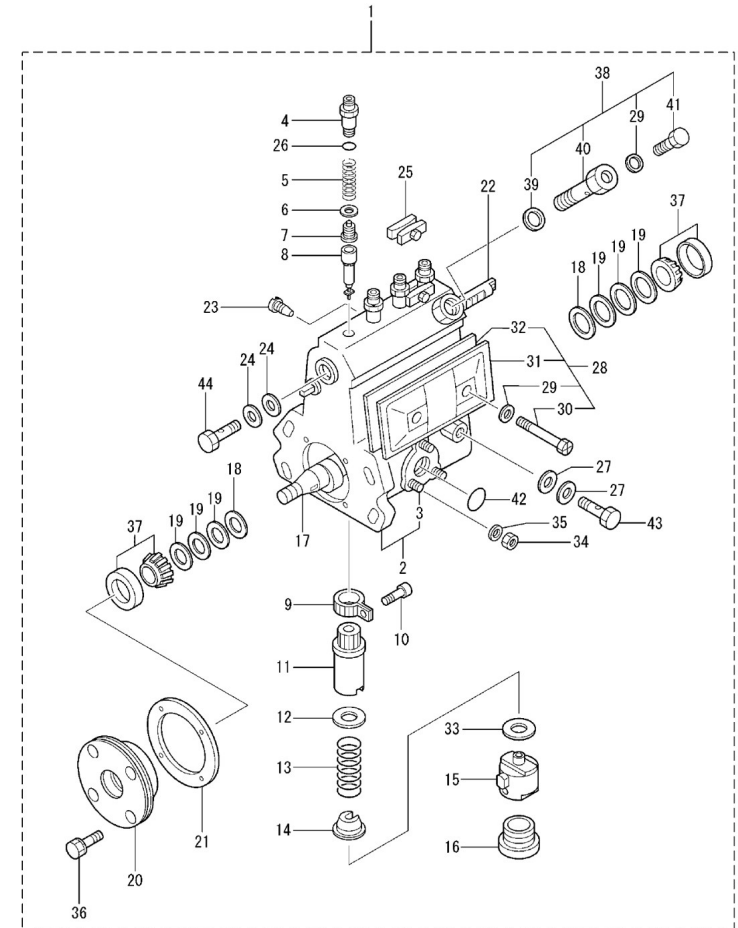
**D GK01 4 2 Injection Nozzle**

Fig.	Ref.	Qty.	Descr.	Obs	From	UpTo
1	13826001	4	Nozzle & Holder A			
2	13826002	4	Body Assy			
3	13826010	0	Washer 1,25	#		
3A	13826011	0	Washer 1,30	#		
3B	13826012	0	Washer 1,35	#		
3C	13826013	0	Washer 1,40	#		
3D	13826014	0	Washer 1,45	#		
3E	13826015	0	Washer 1,50	#		
3F	13826016	0	Washer 1,55	#		
3G	13826017	0	Washer 1,60	#		
3H	13826019	0	Washer 1,65	#		
3I	13826020	0	Washer 1,70	#		
4	13826004	4	Spring Pressure			
5	13826003	4	Pin Pressure			
6	13826007	4	PIECE DISTANCE			07/01/2020
7	13826018	4	Nozzle Assy			
8	13826006	4	Nut RETAINING			



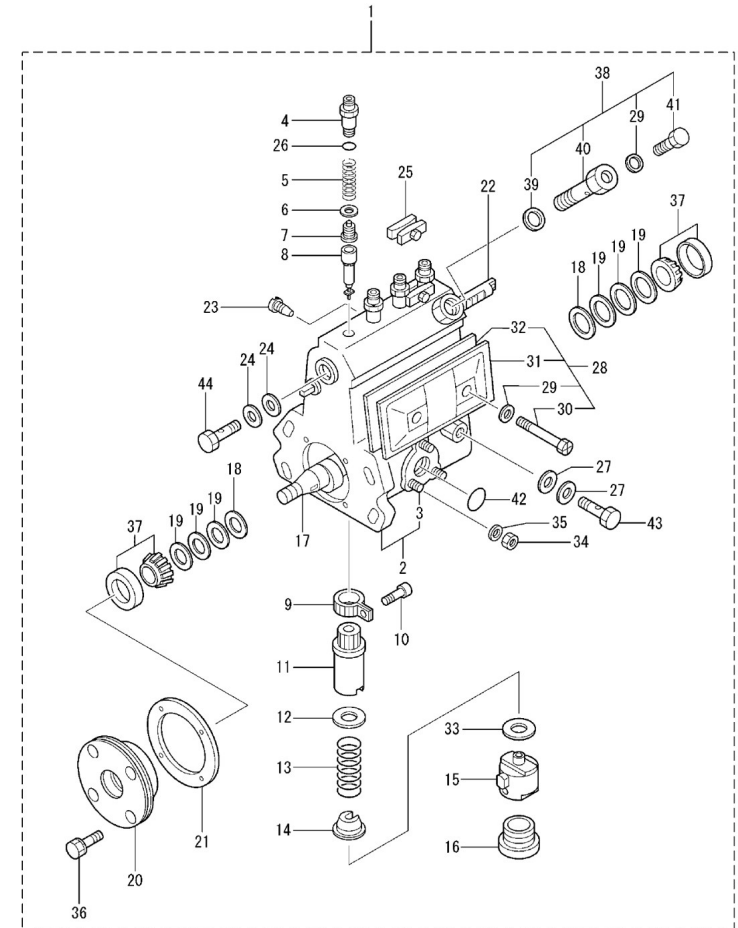
**D GK01 4 3 Fuel Injection Pump**

Fig.	Ref.	Qty.	Descr.	Obs	From	UpTo
1	(*)	1	Not available			
2	17425005.1	1	Flange,INJ.Pump			
3	13325239	3	Stud			
4	17425046	4	Support SOUPAPE			
5	17425014	4	Spring,Valve			
6	17425012	4	Gasket,Valve			
7	17425008	4	Valve,DELIVERY			
9	13325241	4	PinION Control			
10	13325240	4	Screw			
11	17425015	4	SLEEVE,Control			
12	17425011	4	SHEET,Upper Spring			
13	13325244	4	Spring Plunger			
14	17425013	4	SHEET,LOWER Spring			
15	13325261	4	Tappet Assy			
16	17425022	4	Plug,Screw			
18	13325226	2	Ring			
19	13325219	0	Plate 0,1	#		
19A	13325220	0	Plate 0,12	#		
19B	13325221	0	Plate 0,14	#		
19C	13325222	0	Plate 0,16	#		
19D	13325223	0	Plate 0,18	#		
19F	13325225	0	Plate 0,5	#		
19G	13325224	0	Plate 0,3	#		
19H	17425030	0	Shim Adjusting T=1.00	#		
19I	17425031	0	Shim Adjusting T=1,50	#		
19J	17425032	0	Shim Adjusting T=2.00	#		
19K	17425033	0	Shim Adjusting T=0.03	#		
20	13325271	1	Cover			
21	17425025	1	Gasket,Bearing Cover			
22	17425006	1	RACK,Control			
23	17425027	1	Screw,RACK Guide			



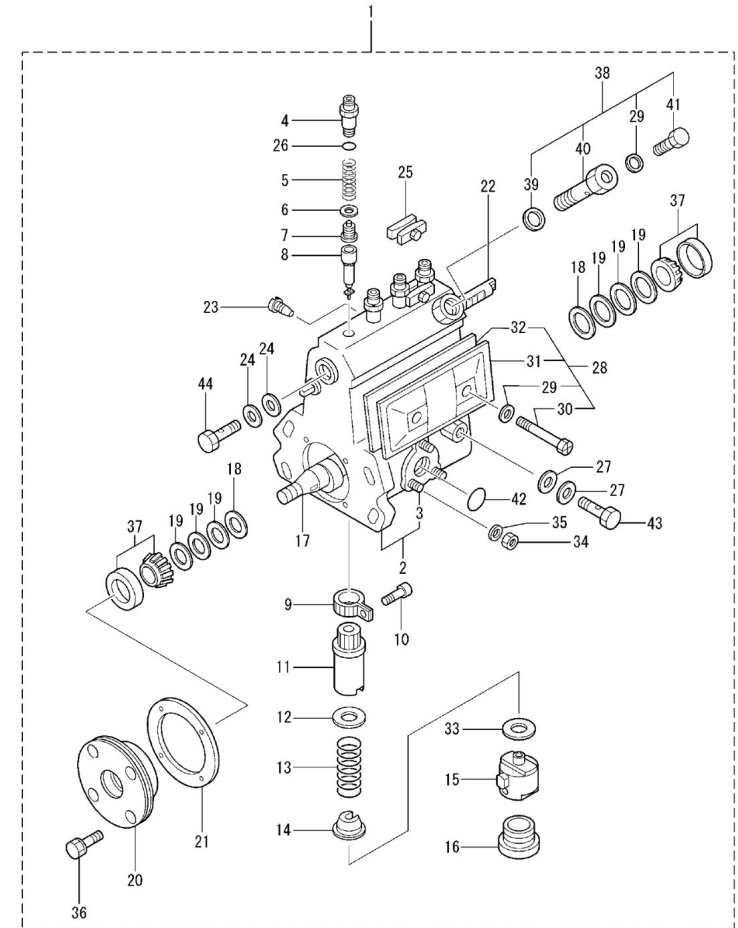
**D GK01 4 3 Fuel Injection Pump**

Fig.	Ref.	Qty.	Descr.	Obs	From	UpTo
24	13325202	2	Washer			
25	17425035	2	Plate			
26	17425010	4	O-Ring			
27	13825031.3	2	Washer,DRAIN Union			
28	17425040	1	Cover,Pump			
29	13325215	2	Washer			
30	17425041	2	Screw,HEXAGON			
31	17425042	1	Cover,Plate			
32	17425043	1	Gasket,Cover Plate			
33	13125014	0	Shim T=0,60	#		
33A	13325253	0	Shim T=0.70	#		
33B	13325254	0	Shim T=0.80	#		
33C	13325255	0	Shim T=0.90	#		
33D	13325256	0	Shim T=1.00	#		
33F	13325257	0	Shim T=1.10	#		
33G	13325258	0	Shim T=1.20	#		
33H	13325259	0	Shim T=1.30	#		
33I	13325260	0	Shim T=1.40	#		
33J	13325246	0	Shim T=0.10	#		
33K	13125015	0	Shim T=0,2	#		
33L	13325249	0	Shim T=0.30	#		
33M	13125017	0	Shim T=0,4	#		
33N	13125018	0	Shim T=0,5	#		
33Ñ	13325247	0	Shim T=0.15	#		
33O	17425034	0	Shim T=0.13	#		
34	17425019	3	Nut			
35	17425007	3	Washer, Spring			
36	13325272	4	Screw			
37	13325217	2	Conical Roller Bearing 30203			
38	13325212	1	BREATHER Air			
39	13325213	1	Washer NIPPLE			



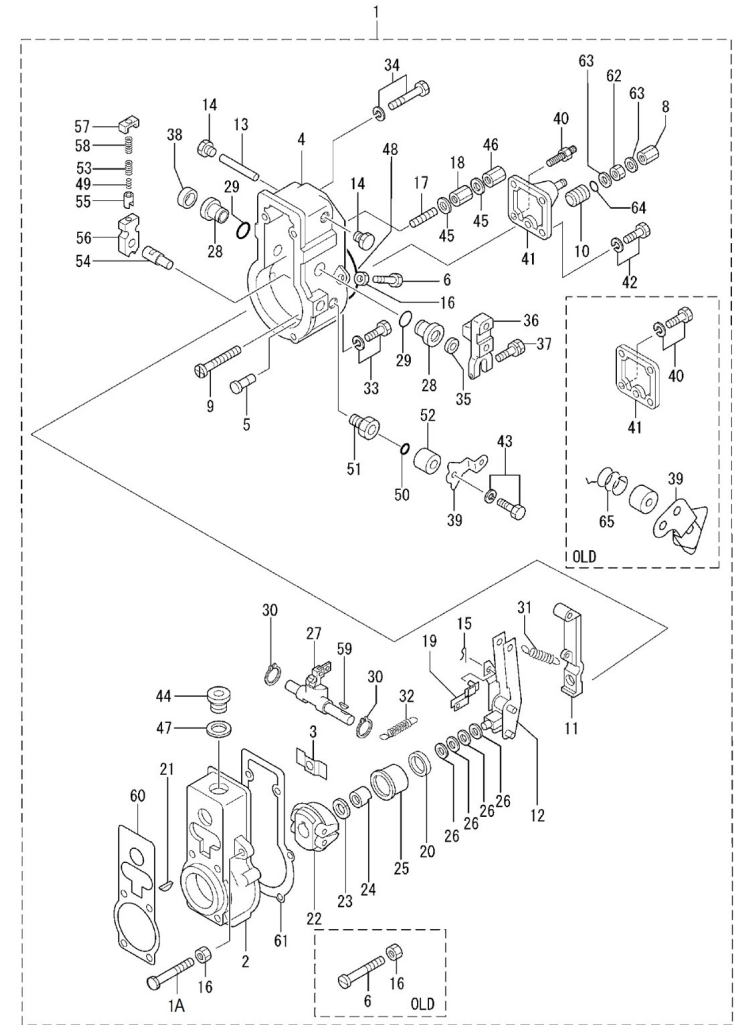
**D GK01 4 3** Fuel Injection Pump

Fig.	Ref.	Qty.	Descr.	Obs	From	UpTo
40	13325214	1	NIPPLE			
41	13325216	1	Screw			
42	13325234	1	O-Ring			
43	13325231	1	Screw, Racord			
44	13325201	1	Screw, Racord			



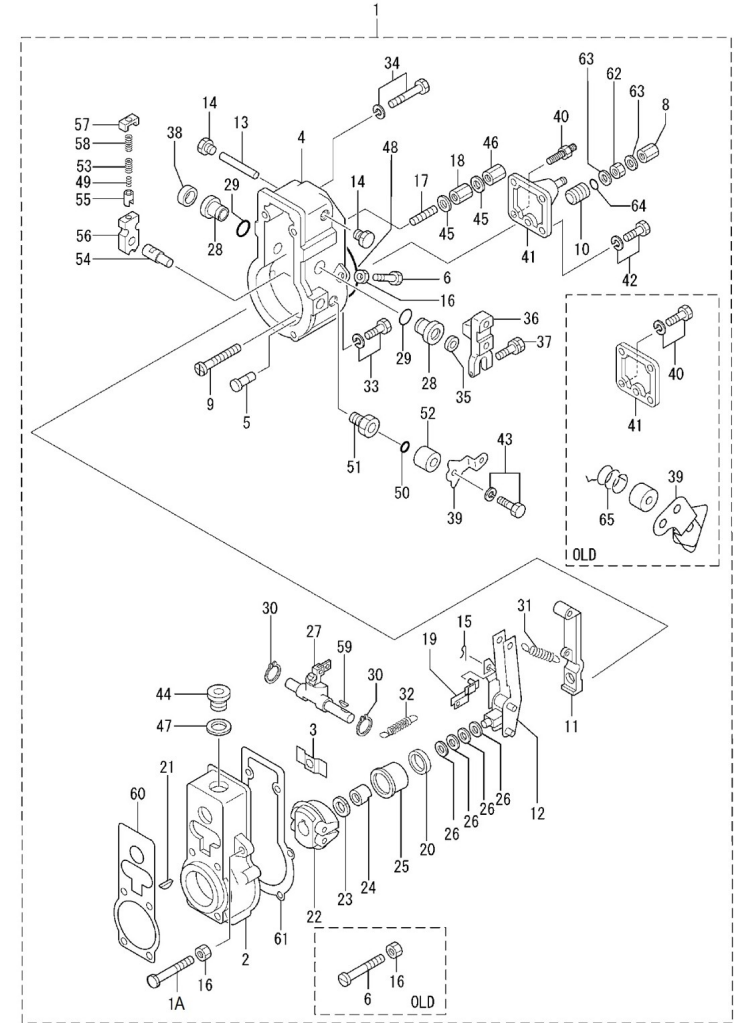
**D GK01 4 4 Governor Parts**

Fig.	Ref.	Qty.	Descr.	Obs	From	UpTo
1	(*)	1	Not available		01/01/2016	
2	17425201	1	Housing,GOverNOR			
3	17425203	1	Plate			
4	17425208	1	Cover,GOverNOR			
5	17425209	1	Pin			
6	17425210	3	Screw,Adjusting			
8	17425217	1	Nut			
9	17425212	1	Screw,Adjusting			
10	17425213	1	Bushing			
11	17425218	1	Lever,TENSION			
12	17425245	1	Lever,TENSION			
13	17425222	1	Shaft,Lever			
14	17425223	2	Plug,Screw			
15	17425246	1	Pin,SPLIT			
16	17425211	1	Nut,W/Hole			
17	17425230	1	CapSULE			
18	17425232	1	Nut,Adapter LOCK			
19	17425247	1	SHACKLE			
20	17425239	1	Bearing,Ball			
21	17425205	1	KEY,WOODRUFF			
22	17425235G	1	FLYWEIGHT Assy (Generator)			
23	13325273	1	Washer			
24	17425237	1	Nut,ROUND			
25	17425238	1	SLEEVE,GOverNOR			
26	17425240	0	Washer,Plate T=0.2	#		
26A	17425241	0	Washer,Plate T=0.3	#		
26B	17425242	0	Washer,Plate T=0.4	#		
26C	17425243	0	Washer,Plate T=0.1	#		
26D	17425244	0	Washer,Plate T=1.0	#		
27	17425250	1	Lever,SWIVELLING			
28	17425227	2	Bushing,Lever			



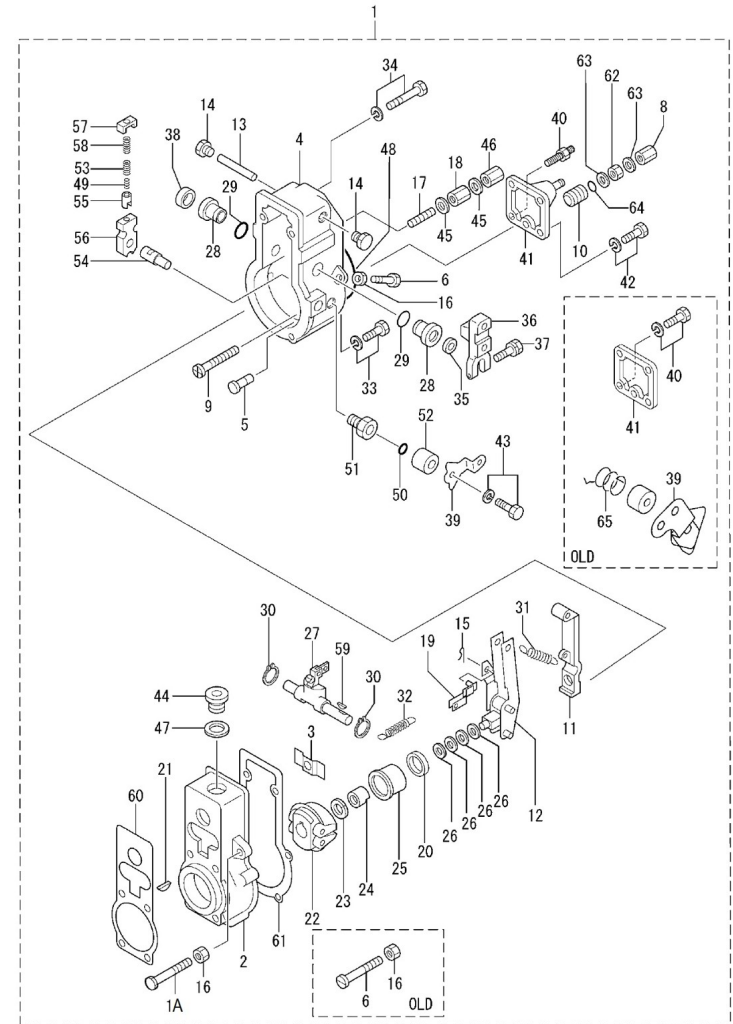
**D GK01 4 4** Governor Parts

Fig.	Ref.	Qty.	Descr.	Obs	From	UpTo
29	17425226	2	O-Ring			
30	17425251	2	Washer,SNAP			
32	17425248	1	Spring,START			
33	17425255	4	Bolt,W/Washer			
34	17425300	2	Bolt,W/Washer			
35	17425229	1	Seal,Oil			
36	17425224G	1	Lever,ADJUNTING (Generator)			
37	17425225	1	Bolt,W/Washer			
38	17425228	1	Cap,Lever			
39	17425259G	1	Lever,Stop (Generator)			
40	17425269	2	Bolt,Stud			06/02/2020
40	17425271	2	Bolt,Stud		06/02/2020	
41	17425296	1	Plate,Cover			
42	17425297	2	Bolt,W/Washer			
43	17425260G	1	Bolt,W/Washer (Generator)			
44	17425206	1	Plug,Screw			
45	13325213	2	Washer NIPPLE			
46	17425233	1	Nut,Cap			
47	17425207	1	Washer,COPPER Plate			
48	17425295	1	Packing,Rubber Plate			
49	17425276	1	Spring			
50	17425257	1	O-Ring			
51	17425256G	1	Bushing,Bearing (Generator)			
52	17425258G	1	Cover, Spring (Generator)			
53	17425275	1	Spring			
54	17425279	1	Shaft,GOverNOR			
55	17425277	1	SHEET,spring			
56	17425278	1	Lever,Support			
57	17425273	1	Plate,Cap			
58	17425274	1	Spring			
59	17425252	1	KEY,WOODRUFF			



**D GK01 4 4** Governor Parts

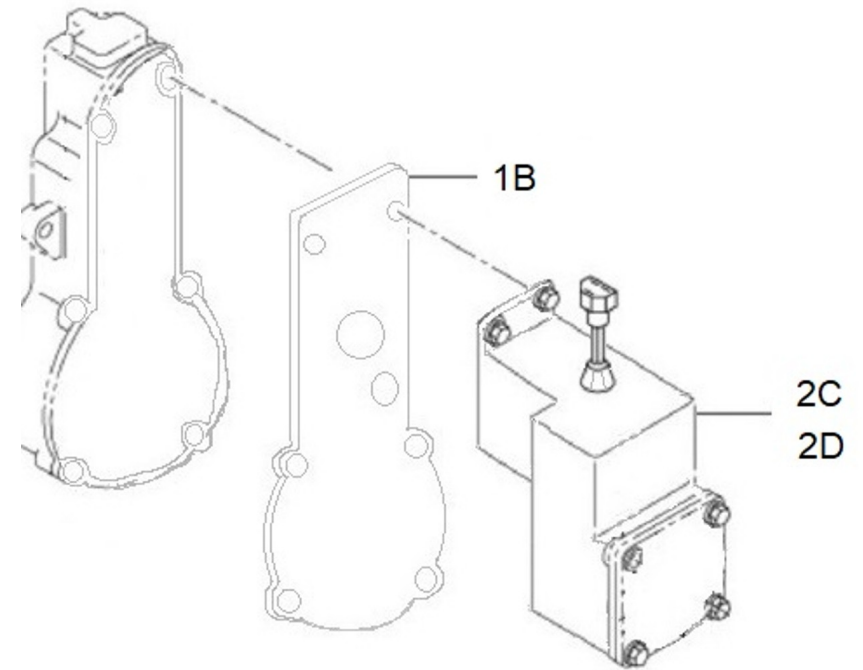
Fig.	Ref.	Qty.	Descr.	Obs	From	UpTo
60	17425204	1	Gasket			
61	17425202	1	Gasket			
62	17425215	1	Nut, HEXAGON			
63	17225025	2	Washer, Pipe Union			
64	17425214	1	O-Ring			





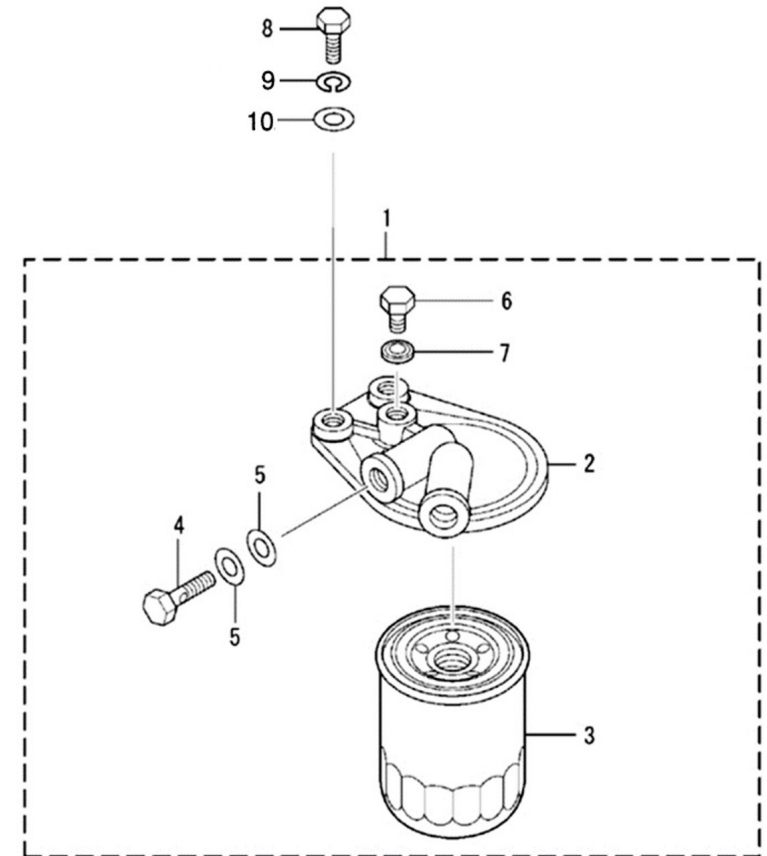
**D GK01 4 4B Parallel Actuator**

<i>Fig.</i>	<i>Ref.</i>	<i>Qty.</i>	<i>Descr.</i>	<i>Obs</i>	<i>From</i>	<i>UpTo</i>
1B	60972518	1	Assembly kit for 175 series actuator			
Figure b for Parallel System						
2C	60972516	1	G.A.C 175 Series 12V Integrated Actuator			
Figure C for Parallel System 12V						
2D	60972520	1	G.A.C. 175 Series 24V Integrated Actuat.			
Figure D for Parallel System 24V						



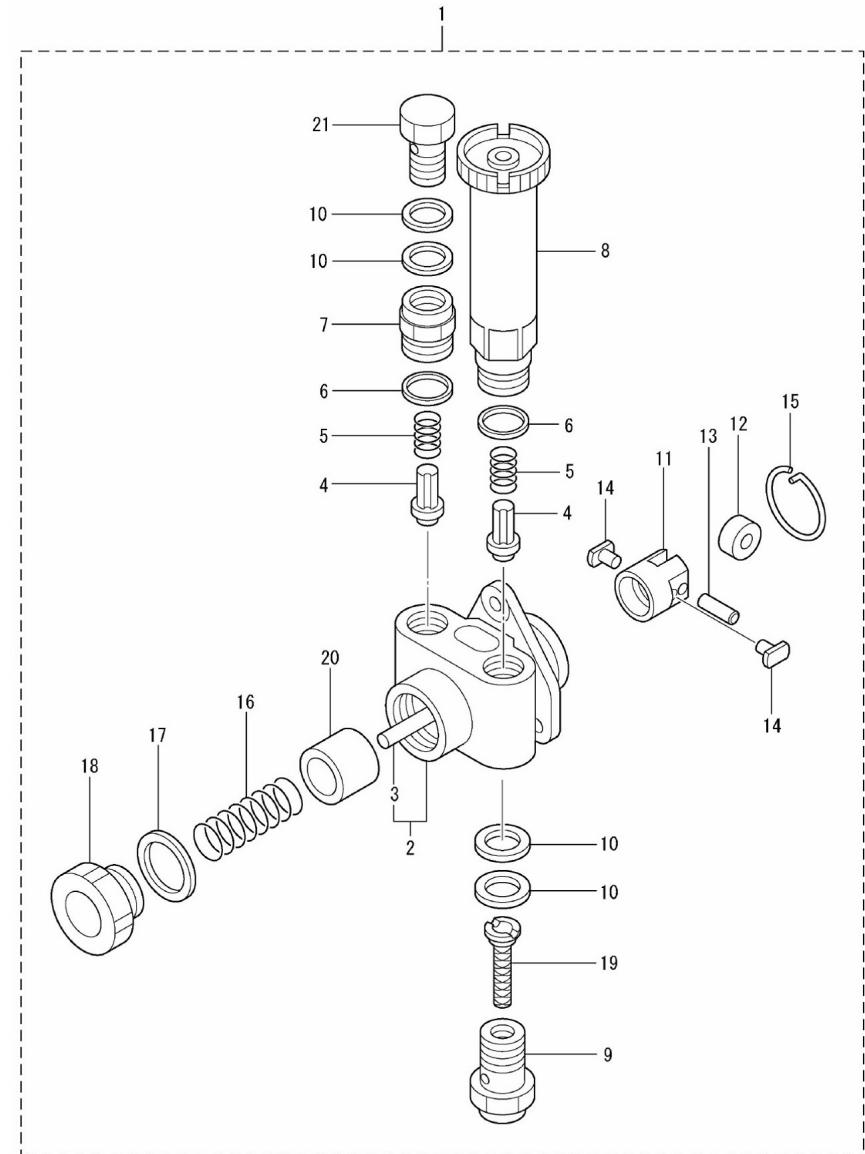
**D GK01 4 5 Fuel Supply Parts**

Fig.	Ref.	Qty.	Descr.	Obs	From	UpTo
1	17424020	1	Fuel Filter Assy			
2	17424001	1	Bracket,Fuel Filter			
3	17414022	1	Fuel Filter Element MINI-74 SM-105			
4	17424003	2	Bolt,EYE			
5	17424008	4	Washer,SealING			
6	13324072	1	Plug			
7	13324011	1	Washer			
8	52102259	2	Bolt DIN 933 M8-30 8.8			
9	53033008	2	Washer GROWER DIN 127-8			




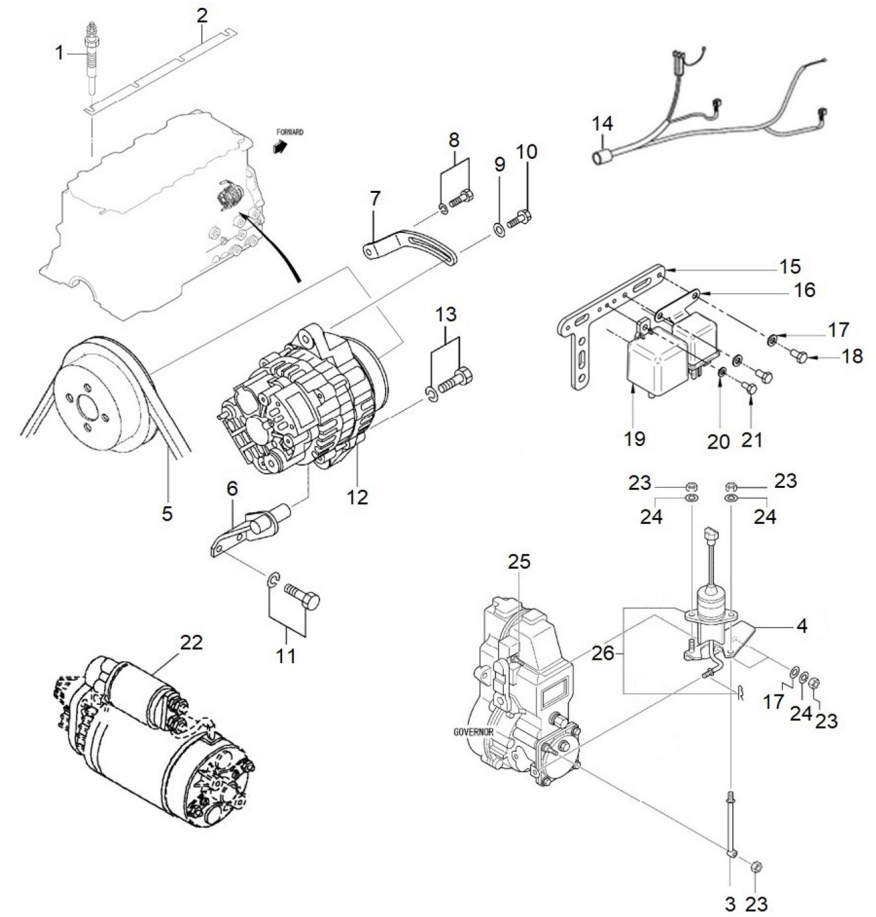
**D MI74 4 6 Feed Pump**

Fig.	Ref.	Qty.	Descr.	Obs	From	UpTo
1	13325100	1	Pump Feed			
2	13325107	1	Housing Feed Pump			
3	13325120	1	ROD,PUSH			
4	13325106	2	Valve			
5	13325105	2	Spring			
6	13325104	2	Washer			
7	13325103	1	Support			
8	17425102	1	Pump S/Assy,PRIMING			
9	13325112	1	Screw, Racord			
10	17425106	4	Washer,Pipe Union			
11	13325115	1	Tappet			
12	13325118	1	Roller			
13	13325117	1	Pin,Roller			
14	13325116	2	Block			
15	13325119	2	Ring			
16	13325110	1	Spring			
17	13325109	1	Washer			
18	13325108	1	Plug			
19	13325113	1	Filter			
20	13325111	1	Piston			
21	17425105	1	Srew,Hollow			
NS	17425121	1	Seal,Oil			



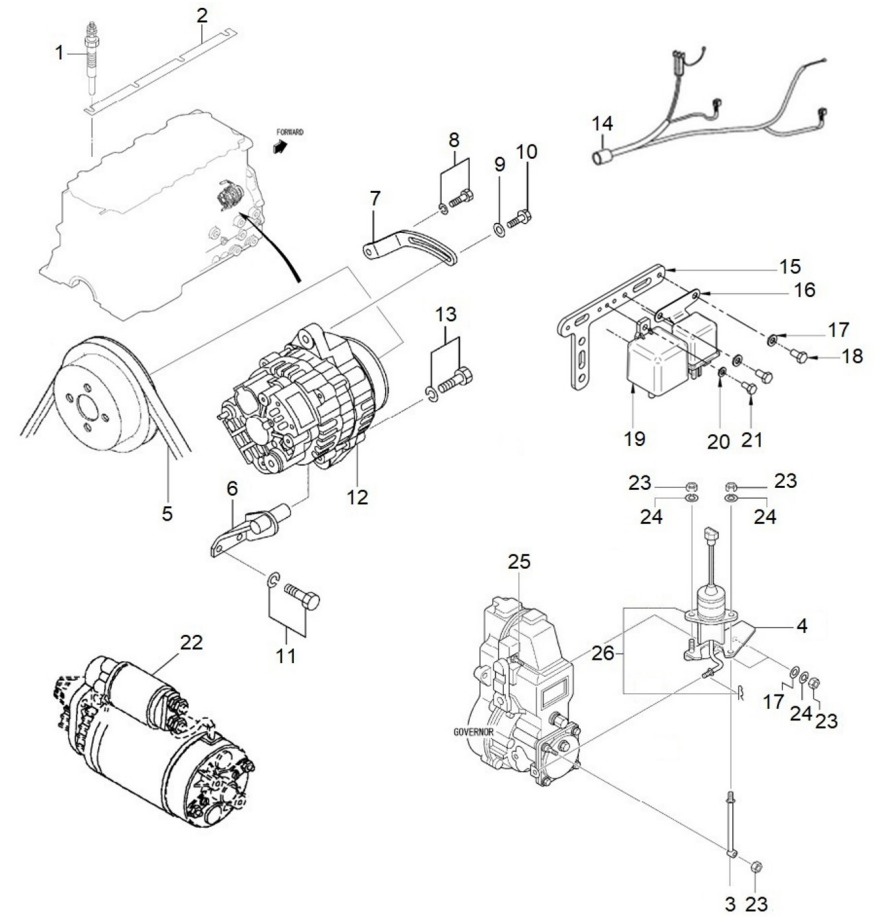
**D MI63GTST 05 1 Electrical System 12V**

Fig.	Ref.	Qty.	Descr.	Obs	From	UpTo
1	17127017	4	Plug, glow			
2	17127018	1	Plate, Connection			
3	17427006G	1	ROD,Support			
4	17427005G	1	Bracket			
5	15217103	1	Belt Type AX 38EP 965			
6	17127002	1	Bracket Alternator			
7	17127007	1	BRACE Generator			
8	17421012G.1	1	Bolt W/Washer (Generator)			
9	51031008	1	Washer DIN 9021 8			
10	13827012	1	Bolt			
11	17720010	2	Bolt,W/Washer			
12	17127010	1	Alternator 12V/40A			
13	17127004G	1	Bolt			
14	60971505	1	MINI-63 ETR Electrical Wiring			
15	17117001	1	Support,relay			
16	13827005	1	Glow Relay			
17	51030006	2	Washer DIN 125-6			
18	52102154	4	Bolt DIN 933 M6-10 8.8			
19	18217005	1	Relay 12V 12-100			
20	52102104	1	Bolt DIN 933 M5-10 8.8			
21	51030005	1	Washer DIN 125-5			
22	17127001	1	Starter Assy 12 V			
23	17223032	5	Nut			
24	53033006	4	Washer GROWER DIN 127-6			
25	17427003G	1	Rod,Solenoid			
26	17424025G	1	Solenoid			
NS	13817011	1	Bracket			



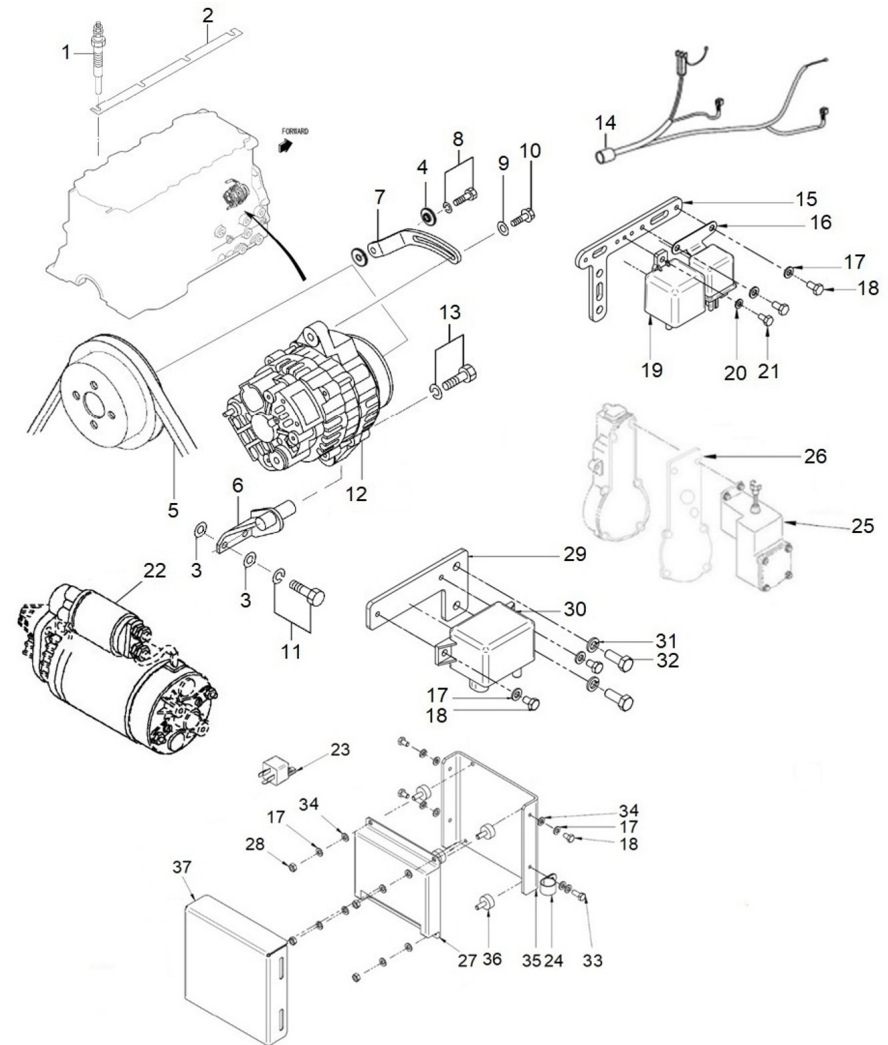
**D MI63GTST 05 2 Electrical System 24V**

Fig.	Ref.	Qty.	Descr.	Obs	From	UpTo
1	17527017.2	4	Glow Plug 24V			
2	17127018	1	Plate, Connection			
3	17427006G	1	ROD,Support			
4	17427005G	1	Bracket			
5	17117021	1	Belt Type SPAX 1030 / RECMF-6395			
6	17127003G	1	Bracket Alternator			
7	17127007.1	1	Brace Generator			
8	17421012G.1	1	Bolt W/Washer (Generator)			
9	51031008	1	Washer DIN 9021 8			
10	13827012	1	Bolt			
11	17720010	2	Bolt,W/Washer			
12	17417024	1	Alternator 28V/55A			
13	17127004G	1	Bolt			
14	60971505	1	MINI-63 ETR Electrical Wiring			
15	17117001	1	Support,relay			
16	17527006	1	Glow Relay 24V			
17	51030006	2	Washer DIN 125-6			
18	52102154	4	Bolt DIN 933 M6-10 8.8			
19	17417005	1	Relay 24V 24-100			
20	52102104	1	Bolt DIN 933 M5-10 8.8			
21	51030005	1	Washer DIN 125-5			
22	17127001.2	1	Starter Assy 24V			
23	17223032	5	Nut			
24	53033006	4	Washer GROWER DIN 127-6			
25	17427003G	1	Rod,Solenoid			
26	17425264.2	1	Solenoid 24V			
NS	13817011	1	Bracket			



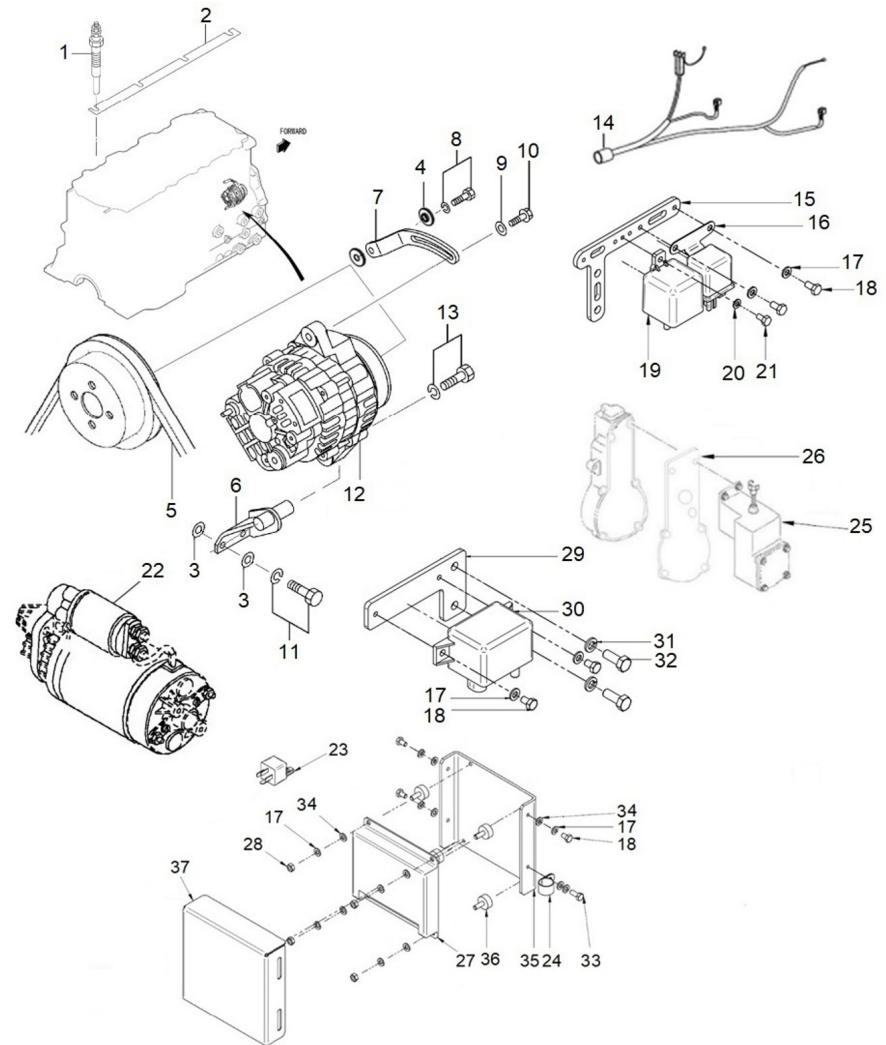
**D MI63GTST 05 3 Parallel Electrical System 12V**

Fig.	Ref.	Qty.	Descr.	Obs	From	UpTo
1	17127017	4	Plug, glow			
2	17127018	1	Plate, Connection			
3	17117024	4	Bracket Bakelite Bushing			
4	17117012	2	Tensor Bakelite Bushing			
5	15217103	1	Belt Type AX 38EP 965			
6	17127002G.1	1	Bracket Assy, Front			
7	17127007G.1	1	BRACE Generator			
8	17421012G.1	1	Bolt W/Washer (Generator)			
9	51031008	1	Washer DIN 9021 8			
10	13827012	1	Bolt			
11	17720010	2	Bolt,W/Washer			
12	17127010	1	Alternator 12V/40A			
13	17127004G	1	Bolt			
14	60971506	1	MINI-63 E. Wiring G.EARTH ISOLATED COMAP			
15	17117001	1	Support,relay			
16	13827005	1	Glow Relay			
17	51030006	2	Washer DIN 125-6			
18	52102154	4	Bolt DIN 933 M6-10 8.8			
19	18217005	1	Relay 12V 12-100			
20	52102104	1	Bolt DIN 933 M5-10 8.8			
21	51030005	1	Washer DIN 125-5			
22	17127001	1	Starter Assy 12 V			
23	63900028	1	Relay 12V 20/30A NO+NC			
24	59071224	1	Clamp RSGU 1 22/15 W1			15/11/2023
24	59071324	1	Clamp RSGU 1 32/15 W1			15/11/2023
25	60972516	1	G.A.C 175 Series 12V Integrated Actuator			
26	60972518	1	Assembly kit for 175 series actuator			
27	60972521	1	Speed Control Unit G.A.C. ESD-5500 Ser.			
28	52120006	4	Nut DIN 934 M6 8.8			
29	17117107	1	Suport Relais			05/06/2016
29	17117113	1	Bracket			06/06/2016



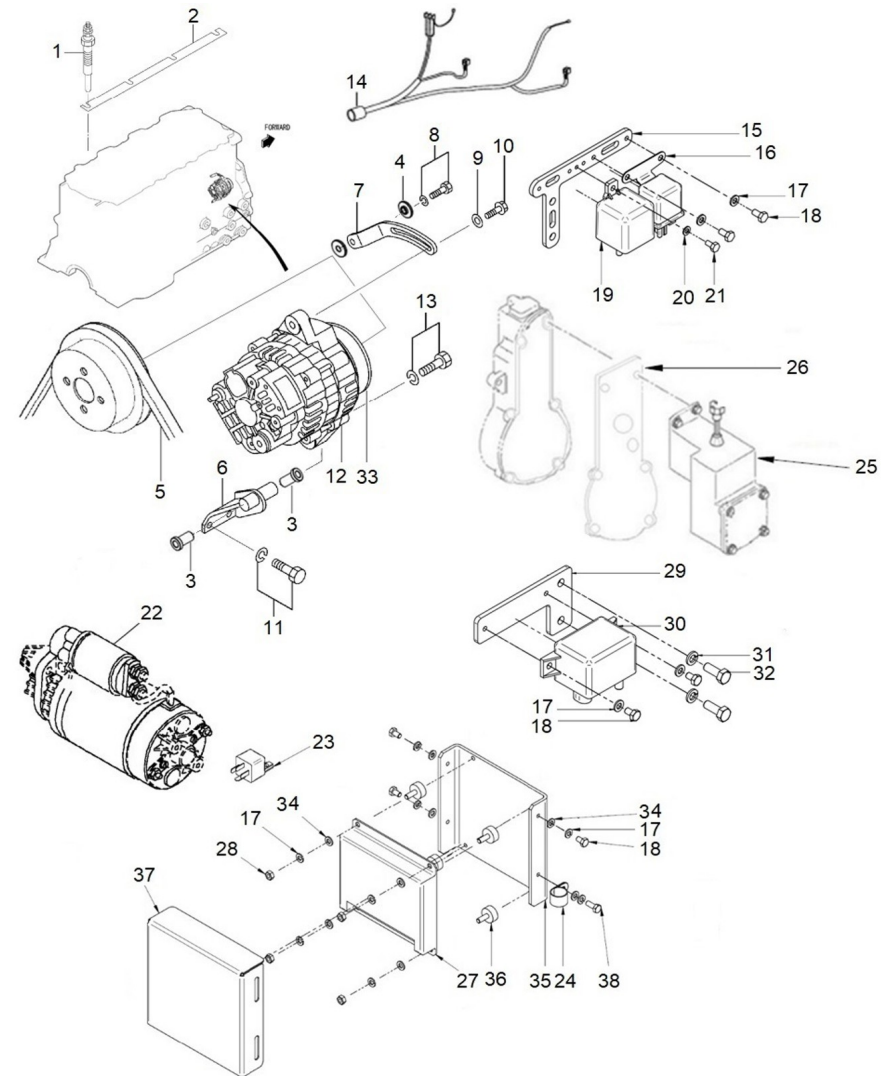
**D MI63GTST 05 3 Parallel Electrical System 12V**

Fig.	Ref.	Qty.	Descr.	Obs	From	UpTo
30	19017104	1	Relay 12 V. Bipolar			05/06/2016
30	19017113	1	Relay 12V Earth Isolated Nagares		06/06/2016	
31	53033008	2	Washer GROWER DIN 127-8			
32	52102257	2	Bolt DIN 933 M8-20 8.8			
33	52102156	1	Bolt DIN 933 M6-16 8.8			
34	53033006	12	Washer GROWER DIN 127-6			
35	17317007	1	Electronic Unit Bracket			
36	17A14009	4	Anti Vibration Mount M6			
37	17317008	1	Parallel electronic unit cover			
NS	13817011	1	Bracket			
NS	60974205	1	35 GT/GTC Parallel Auxiliary Installation Mitsubishi			31/05/2023
NS	60974229	1	Auxiliary Installation Parallel Genset		01/06/2023	







**D MI63GTST 05 4 Parallel Electrical System 24V**

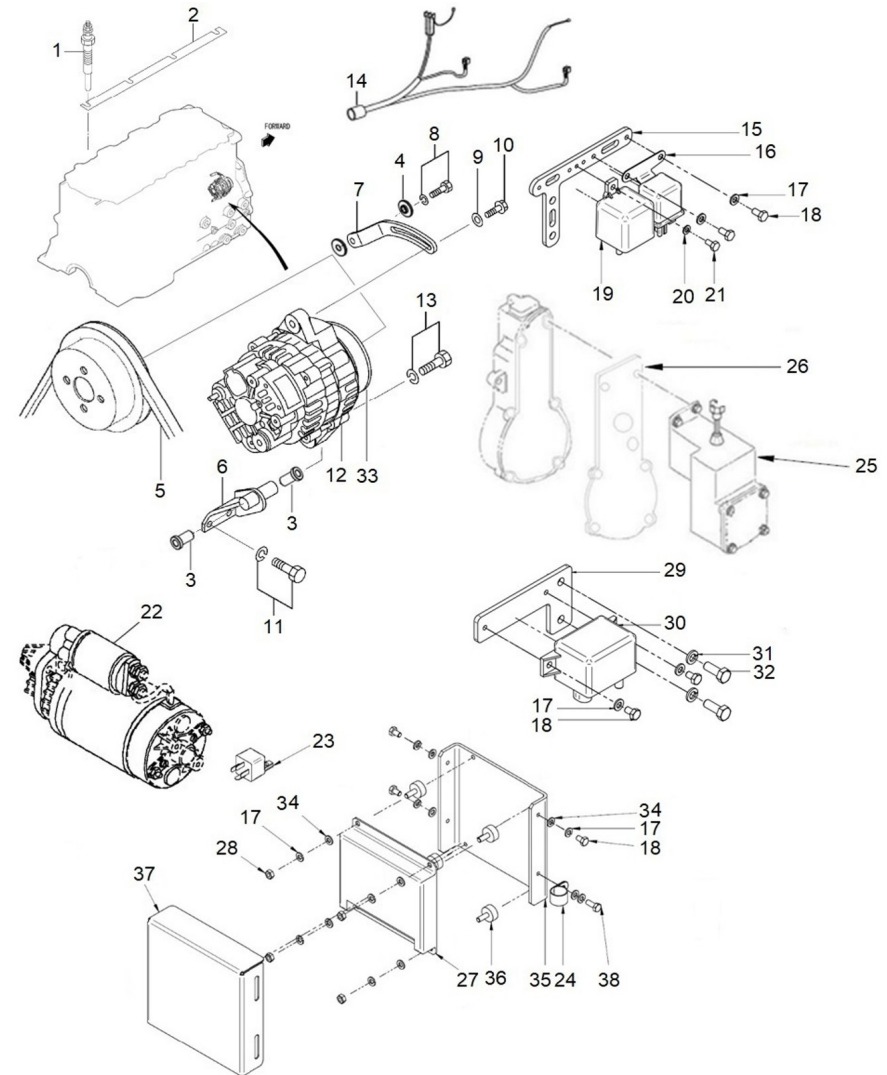
Fig.	Ref.	Qty.	Descr.	Obs	From	UpTo
1	17527017.2	4	Glow Plug 24V			
2	17127018	1	Plate, Connection			
3	17117011	2	Bracket Bakelite Bushing			
4	17117012	4	Tensor Bakelite Bushing			
5	17117021	1	Belt Type SPAX 1030 / RECMF-6395			
6	17127002.5	1	Bracket Assy, 2nd Alternator			
8	17421012G.1	1	Bolt W/Washer (Generator)			
9	51031008	1	Washer DIN 9021 8			
10	13827012	1	Bolt			
11	17720010	2	Bolt,W/Washer			
12	17417024	1	Alternator 28V/55A			
13	17127004G	1	Bolt			
14	60971506	1	MINI-63 E. Wiring G.EARTH ISOLATED COMAP			
15	17117001	1	Support,relay			
16	17527006	1	Glow Relay 24V			
17	51030006	4	Washer DIN 125-6			
18	52102154	6	Bolt DIN 933 M6-10 8.8			
19	17417005	1	Relay 24V 24-100			
20	52102104	1	Bolt DIN 933 M5-10 8.8			
21	51030005	1	Washer DIN 125-5			
22	17127001.2	1	Starter Assy 24V			
23	63900029	1	Relay 24V 10/20A NO+NC			
24	59071224	1	Clamp RSGU 1 22/15 W1			15/11/2023
24	59071324	1	Clamp RSGU 1 32/15 W1		15/11/2023	
25	60972520	1	G.A.C. 175 Series 24V Integrated Actuat.			
26	60972518	1	Assembly kit for 175 series actuator			
27	60972521	1	Speed Control Unit G.A.C. ESD-5500 Ser.			
28	52120006	4	Nut DIN 934 M6 8.8			
29	17117107	1	Suport Relais			05/06/2016
29	17117113	1	Bracket		06/06/2016	
30	19017105	1	Relay 24 V Bipolar			05/06/2016





**D MI63GTST 05 4 Parallel Electrical System 24V**

Fig.	Ref.	Qty.	Descr.	Obs	From	UpTo
30	19017114	1	Relay 24V Earth Isolated Nagares		06/06/2016	
31	53033008	2	Washer GROWER DIN 127-8			
32	52102257	2	Bolt DIN 933 M8-20 8.8			
33	17417022	1	Pulley			
34	53033006	8	Washer GROWER DIN 127-6			
35	17317007	1	Electronic Unit Bracket			
36	17A14009	4	Anti Vibration Mount M6			
37	17317008	1	Parallel electronic unit cover			
38	52102156	1	Bolt DIN 933 M6-16 8.8			
NS	13817011	1	Bracket			
NS	60972517	1	Connector for actuator Packard type			
NS	60974205	1	35 GT/GTC Parallel Auxiliary Installation Mitsubishi			31/05/2023
NS	60974229	1	Auxiliary Installation Parallel Genset		01/06/2023	



**Genset 20 GS/GSC & 25 GSA/GSAC**

**Electrical System**

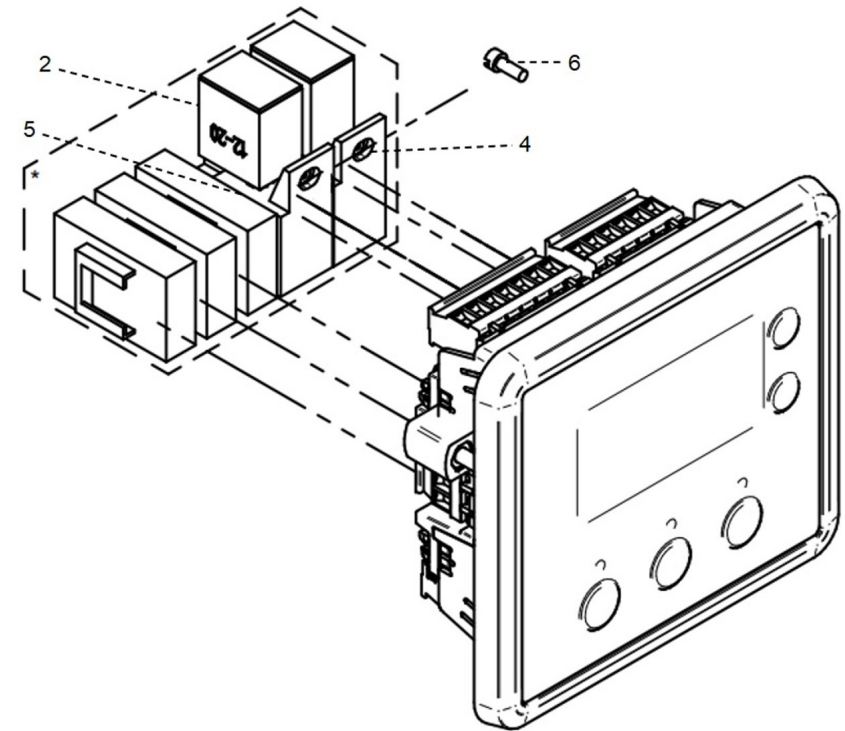
**D MI63GTST 05 5 Panels for Genset**

<i>Fig.</i>	<i>Ref.</i>	<i>Qty.</i>	<i>Descr.</i>	<i>Obs</i>	<i>From</i>	<i>UpTo</i>
1A	61971230S	1	Panel SCO 5 20 GSC 12V 230V			
1B	61971230.2S	1	Panel SCO 5 20 GSC 24V 230V			
1C	61971240.18S	1	Panel SCO 5 25 GSAC 12V 240V			
1D	61971240.18.2S	1	Panel SCO 5 25 GSAC 24V 240V			
1E	61971230TS	1	Panel SCO 5 25 GTC 12V 230V			
1F	61971400S	1	Panel SCO 5 25 GTC 12V 400/230V			
1G	61971230T.2S	1	Panel SCO 5 25 GTC 24V 230V			
1H	61971400.2S	1	Panel SCO 5 25 GTC 24V 400/230V			
1I	61971240T.18S	1	Panel SCO 5 30 GTAC 12V 240V			
1J	61971480.18S	1	Panel SCO 5 30 GTAC 12V 480/277V			
1K	61971240T.18.2S	1	Panel SCO 5 30 GTAC 24V 240V			
1L	61971480.18.2S	1	Panel SCO 5 30 GTAC 24V 480/277V			



**D PANELGRUPO2\_01 Panel Components for Genset**

Fig.	Ref.	Qty.	Descr.	Obs	From	UpTo
2A	60900091	4	MICRO Relay 12V 12-20			
Figure A for 12V System						
2B	60900092	4	MICRO Relay 24V 24-10			
Figure b for 24V System						
4	51030005	2	Washer DIN 125-5			
5	61900001	1	Rail Guide For Modular Micro Relay Holder - Fusible			29/03/2023
5	61900002	1	Rail Guide For Modular Micro Relay Holder - Fusible		29/03/2023	
6	51918054	2	Bolt DIN 7981C 3,5-9,5			
NS	60972112	1	Wiring BRIDGE MONOF. Panel COMAP			
NS	60972123	1	Electrical System Back Panel SCO 5			
NS	61972124	1	SCO 5 Panel Screw Bracket			



**D MI63GTST 05 7 Electrical Box for Parallel**

<i>Fig.</i>	<i>Ref.</i>	<i>Qty.</i>	<i>Descr.</i>	<i>Obs</i>	<i>From</i>	<i>UpTo</i>
1A	60971547	1	Kit Paral. 20 GS 230V Cont/Pow 12V			
1B	60971549	1	Kit Paral. 20 GS 230V Cont/Pow 24V			
1C	60971552	1	Kit Paral. 25 GSA 240V Cont/Pow 12V			
1D	60971554	1	Kit Paral. 25 GSA 240V Cont/Pow 24V			
1E	60971531	1	Kit Paral. 25 GT 230V Cont/Pow 12V			
1F	60971537	1	Kit Paral. 25 GT 230V Cont/Pow 24V			
1G	60971530	1	Kit Paral. 25 GT 400/230V Cont/Pow 12V			
1H	60971536	1	Kit Paral. 25 GT 400/230V Cont/Pow 24V			
1I	60971559	1	Kit Paral. 30 GTA 240V Cont/Pow 12V			
1J	60971561	1	Kit Paral. 30 GTA 240V Cont/Pow 24V			
1K	60971555	1	Kit Paral. 30 GTA 480/277V Cont/Pow 12V			
1L	60971557	1	Kit Paral. 30 GTA 480/277V Cont/Pow 24V			



**D WIC1 1 1**                      **Genset Extension**

<i>Fig.</i>	<i>Ref.</i>	<i>Qty.</i>	<i>Descr.</i>	<i>Obs</i>	<i>From</i>	<i>UpTo</i>
1A	60938210I	1	Genset Wiring Ext. 3 M. CPC			
1B	60985210I	1	Genset Wiring Ext. 4 M. CPC			
1C	60938221	1	Genset Wiring Ext. 6 M. CPC			
1D	60938212	1	Genset Wiring Ext. 8 M. CPC			
1E	60985210.12I	1	Genset Wiring Ext. 12 M. CPC			
1F	60985210.18I	1	Genset Wiring Ext. 18 M. CPC			
1G	60985210.24I	1	Genset Wiring Ext. 24 M. CPC			
1H	60985210.30I	1	Genset Wiring Ext. 30 M. CPC			
1I	60974552	1	3-way Wiring Wxtension for Auxilliary Kits 4 m			
1J	60900165	1	3-way Wiring Extension for Auxilliary Kits 6 m			
1K	60900166	1	3-way Wiring Extension for Auxilliary Kits 12 m			
1L	60900167	1	3-way Wiring Extension for Auxilliary Kits 24 m			
1M	60972104	1	Double Panel SCO 12 M. Harness			
1N	60972105	1	Double Panel SCO 24 M. Harness			
1O	60972110	1	Double Panel SCO 36 M. Harness			
1P	60972145	1	Double Panel SCO 45 M. Harness			



**D WIC1 1 2** **Parallel Genset Extension**

<i>Fig.</i>	<i>Ref.</i>	<i>Qty.</i>	<i>Descr.</i>	<i>Obs</i>	<i>From</i>	<i>UpTo</i>
1A	6097A223	1	Wiring extensions Electronic Actuator Genset SCO Pan		01/06/2023	
1B	6097A224	1	Wiring extensions Electronic Actuator Genset SCO Pan		01/06/2023	
1C	6097A221	1	Wiring Extension for Parallel Control and Power Gens		01/06/2023	
1D	6097A222	1	Wiring Extension for Parallel Control and Power Gens		01/06/2023	
1E	60974221	1	Wiring Extension 25/35/50/68 GT 6 m Electronic Actua			31/05/2023
1F	60974219	1	Wiring Extension 25/35/50/68 GT 12 m Electronic Actua			31/05/2023
1G	60974206	1	Wir.Ext. 25/35/50/68 GT Prep. Paral.6M			31/05/2023
1H	60974207	1	Wir.Ext. 25/35/50/68 GT Prep. Paral.12M			31/05/2023



**D MI63GSST 06 1**

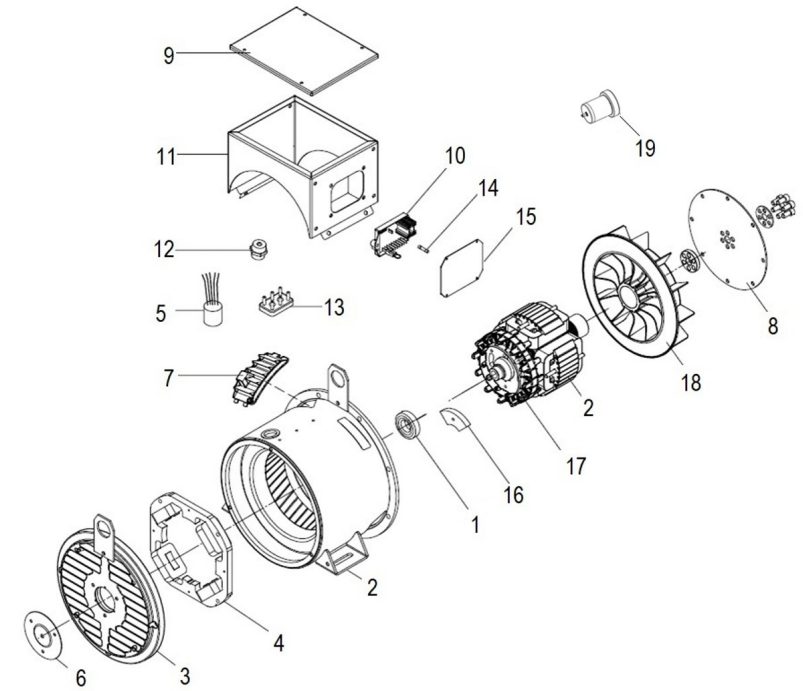
**Alternator 20 GS/GSC Y 25 GSA/GSAC**

<i>Fig.</i>	<i>Ref.</i>	<i>Qty.</i>	<i>Descr.</i>	<i>Obs</i>	<i>From</i>	<i>UpTo</i>
1A	60511121SRC	1	Al.SINCRO I 20KVA 1500RPM 230V (RC)			
1B	60511121SR5	1	Al.SINCRO I 20KVA 1500RPM 230V (RS)			
1C	605121027Z1RC	1	Al.SINCRO I 27KVA 1800RPM 240V (RC)			
1D	605121027Z1RS	1	Al.SINCRO I 27KVA 1800RPM 240V (RS)			



**D 60511121S Alt.SINCRO I 20KVA 1500RPM 230V**

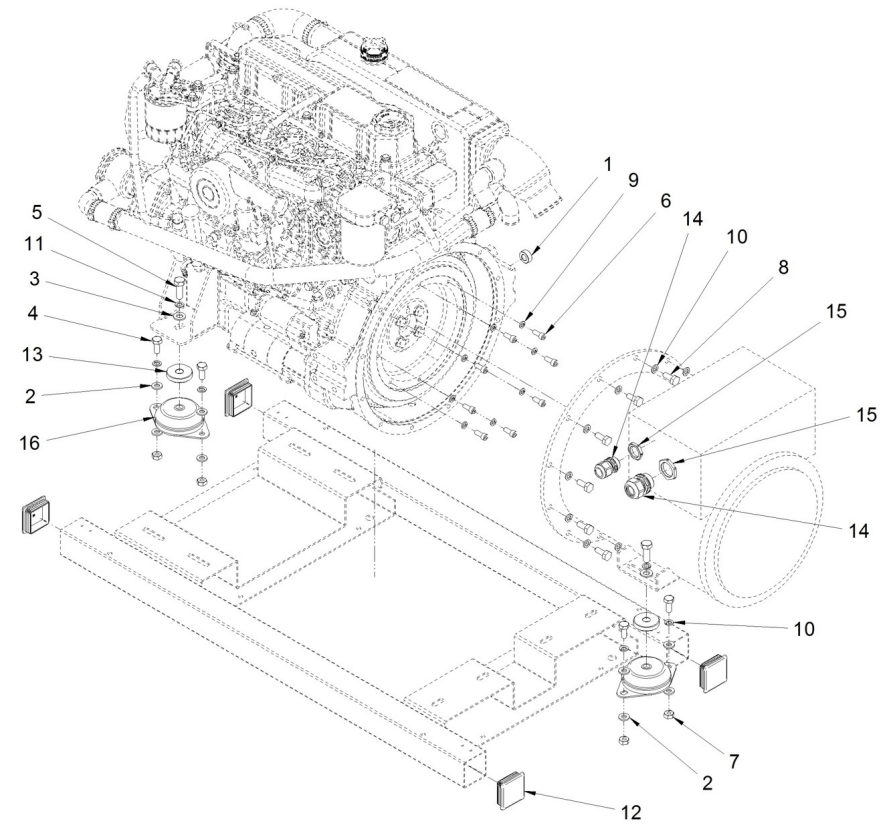
Fig.	Ref.	Qty.	Descr.	Obs	From	UpTo
0	60511121SRC	1	Al.SINCRO I 20KVA 1500RPM 230V (RC)			
0	60511121RS	1	Al.SINCRO I 20KVA 1500RPM 230V (RS)			
1	60511325S.1	1	Bearing 6206 2RS/C3			
2	(*)	1	Not available			
3	60511107S.13	1	Rear Shield			
4	60511325S.2	1	Exciter stator SK160C-, M-, L-			
5	60574340S.12	1	EMC Filter			
6	60511325S.3	1	Rear shield cover			
7	60511336S.03	1	IP23 Grid			
8	60511325S.4	1	Kit disks 7,5"			
9	60511336S.01	1	Top Cover			
10	60511107S.35.1	1	Electronic Board AVR BL4 U			
11A	60511336S.13	1	Terminal Box			
11B	60511336S.14	1	Terminal Box			
12A	60511325S.5	1	M6 insulator clamp			
12B	60511336S.02	1	M8 Insulator Clamp			
13A	60511325S.7	1	M6 terminal board			
13B	60511336S.04	1	M8 Terminal Board			
14	60511336S.05	1	Fuse 5x20 3,15A F			
15	60511336S.06	1	Cover on Regulator Side			
16	60574340.10	1	Diode Bridge SK160-S/C/L/M			
17	60511325S.6	1	Exc. rotor SK160C-, M-, L- 4P			
18	60511336S.11	1	Fan SK160W- 4p			
19	UMSINCRO1	1	SINCRO SK160 Special Tool			





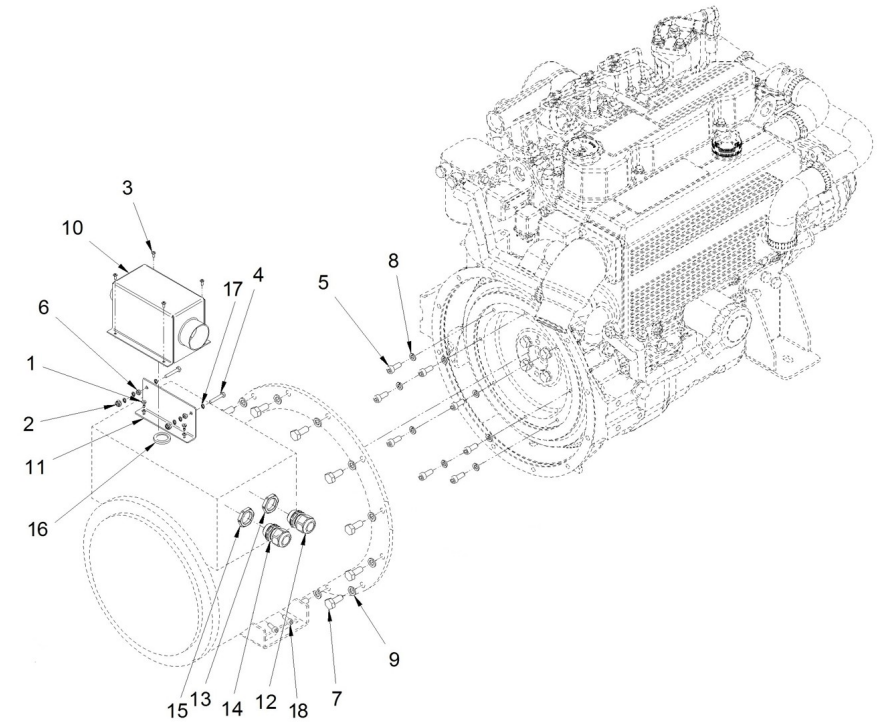
**60571065** **1 Phase SINCRO Alt. Kit. (S) ETR**

Fig.	Ref.	Qty.	Descr.	Obs	From	UpTo
1	19414022	1	Spacer 13X25X10			
2	51030010	16	Washer DIN 125-10			
3	51030012	4	Washer DIN 125-12			
4	52102307	8	Bolt DIN 933 M10-20 8.8			
5	52102359	4	Bolt DIN 933 M12-30 8.8			
5	52102361	4	Bolt DIN 933 M12-40 8.8			
6	52103257	8	Bolt DIN 912 M8-20 8.8			
7	52120010	8	Nut DIN 934 M10 8.8			
8	52202307	12	Bolt DIN 933 M10-1,25-20 8.8			
9	53033008	8	Washer GROWER DIN 127-8			
10	53033010	20	Washer GROWER DIN 127-10			
11	53033012	4	Washer Grower DIN 127-12			
12	60539019	4	LID (60 Tube)			
13	60574025	4	Washer			
14	60900306	2	Connector Press CAPTOR-2000 M25 RAL7001			
15	60900309	2	Screw Connector Press Captor-2000 M25			
16	61673001	4	Engine Mount Type F 35 SHA M12 H 34			05/03/2023
16	61673005	4	Engine Mount Type F BRB 80 B50 SHA M12 H 35			06/03/2023
NS	53104257	4	Bolt DIN 7984 M8-20 12.9			
NS	60900159	1	Tubular Terminal			
NS	TR.1.5.8	2	Ring Terminal 1.5 Sec.			



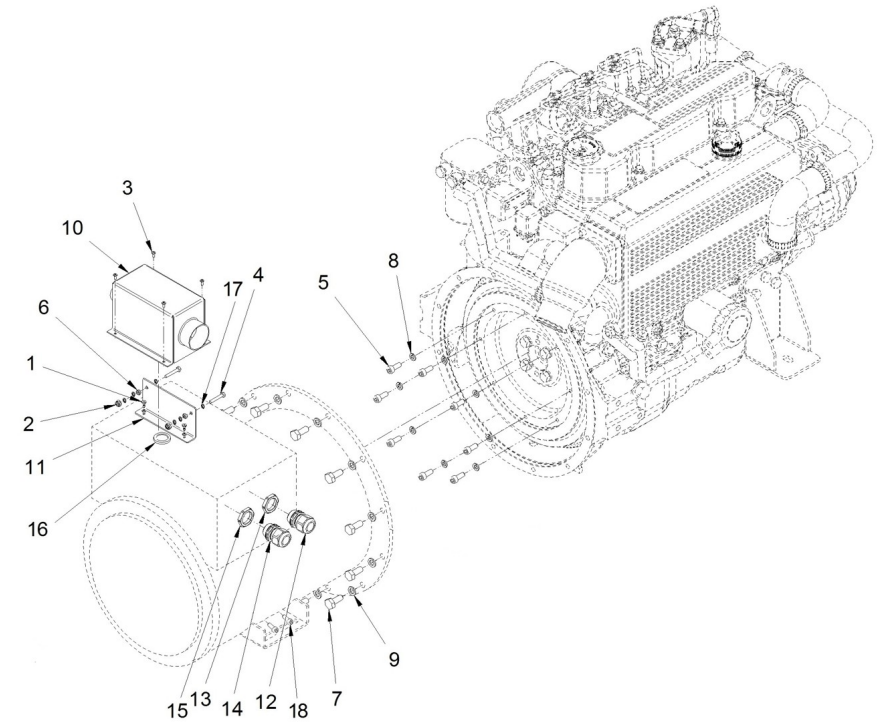
**60571066** 1 Phase SINCRO Alt. Kit. (C) ETR

Fig.	Ref.	Qty.	Descr.	Obs	From	UpTo
1	52102104	2	Bolt DIN 933 M5-10 8.8			
2	51123005	4	Nut DIN 985 M5 5.6			
3	51918054	4	Bolt DIN 7981C 3,5-9,5			
4	52102110	2	Bolt DIN 933 M5-30 8.8 CINCADO			
5	52103257	8	Bolt DIN 912 M8-20 8.8			
6	52120005	2	Nut DIN 934 M5 8.8			
7	52202308	12	Screw DIN 961 8.8 M-10/1,25X25			
8	53033008	8	Washer GROWER DIN 127-8			
9	53033010	12	Washer GROWER DIN 127-10			
10	60573041.71	1	REGULATOR Bracket Box			
11	60573041.72	1	VOLT REGULATOR Bracket Box			
12	60900306	1	Connector Press CAPTOR-2000 M25 RAL7001			
13	60900309	1	Screw Connector Press Captor-2000 M25			
14	60900313	1	Cable Gland Captor-2000 PG29			
15	60900314	1	Hexagonal Locknut Captor-2000 PG29			
16	60900517	1	Cover, wiring			
17	51030005	8	Washer DIN 125-5			
18	53104257	4	Bolt DIN 7984 M8-20 12.9			
NS	60900510	1	Emergency Stop PUSH BOTTOM	☒		
NS	60900511	1	Stop PUSH BOTTOM Body	☒		
NS	60971086.18	1	TWO Poles 100A DISconnector	☒		
NS	60974073M	1	V Breaker BROWN SEC.35 TO SYStem ALT.	☒		
NS	60974073N	1	U Breaker BLACK SEC. 35 TO MAGNETO	☒		
NS	60994072M	1	V Breaker BROWN TO SYStem ALT. 760mm	☒		
NS	60994072N	1	U Breaker BLACK TO SYStem ALT. 760mm	☒		



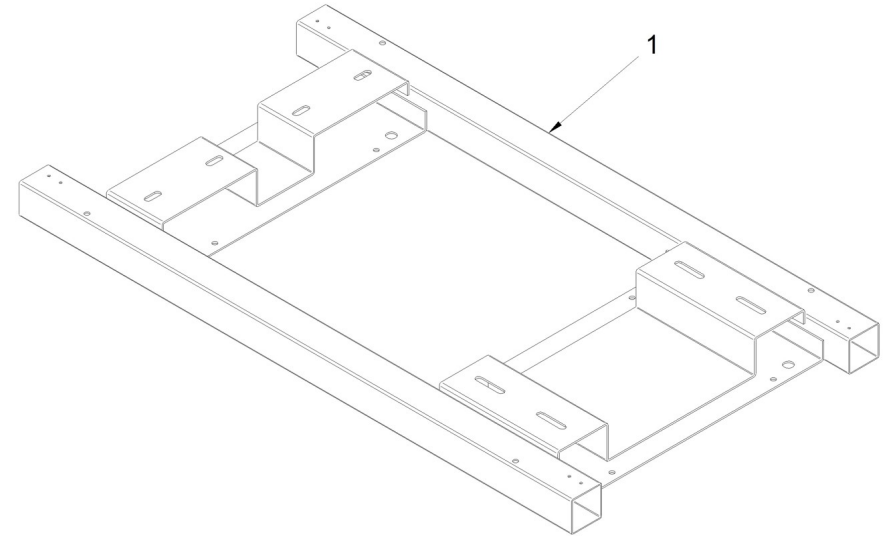
**60571066.18 Alt. SINCRO Monoph. (C) 1800 ETR kit**

Fig.	Ref.	Qty.	Descr.	Obs	From	UpTo
1	52102104	2	Bolt DIN 933 M5-10 8.8			
2	51123005	4	Nut DIN 985 M5 5.6			
3	51918054	4	Bolt DIN 7981C 3,5-9,5			
4	52102110	2	Bolt DIN 933 M5-30 8.8 CINCADO			
5	52103257	8	Bolt DIN 912 M8-20 8.8			
6	52120005	2	Nut DIN 934 M5 8.8			
7	53203307	12	Bolt DIN 912 M10x1,25-20 12.9			
8	53033008	8	Washer GROWER DIN 127-8			
9	53033010	12	Washer GROWER DIN 127-10			
10	60571043.71	1	Regulatory Support Box			
11	60573041.72	1	VOLT REGULATOR Bracket Box			
12	60900306	1	Connector Press CAPTOR-2000 M25 RAL7001			
13	60900309	1	Screw Connector Press Captor-2000 M25			
14	60900313	1	Cable Gland Captor-2000 PG29			
15	60900314	1	Hexagonal Locknut Captor-2000 PG29			
16	60900517	1	Cover,wiring			
17	51030005	8	Washer DIN 125-5			
18	53104257	2	Bolt DIN 7984 M8-20 12.9			
NS	60900510	1	Emergency Stop PUSH BOTTOM	☒		
NS	60900511	1	Stop PUSH BOTTOM Body	☒		
NS	60971086.18	1	TWO Poles 100A DISconnector	☒		
NS	60994072M	1	V Breaker BROWN TO SYStem ALT. 760mm	☒		
NS	60994072N	1	U Breaker BLACK TO SYStem ALT. 760mm	☒		



**D 60571044.01**      **Chassis**

<i>Fig.</i>	<i>Ref.</i>	<i>Qty.</i>	<i>Descr.</i>	<i>Obs</i>	<i>From</i>	<i>UpTo</i>
1	60571044.01	1	Genset CHASSIS			

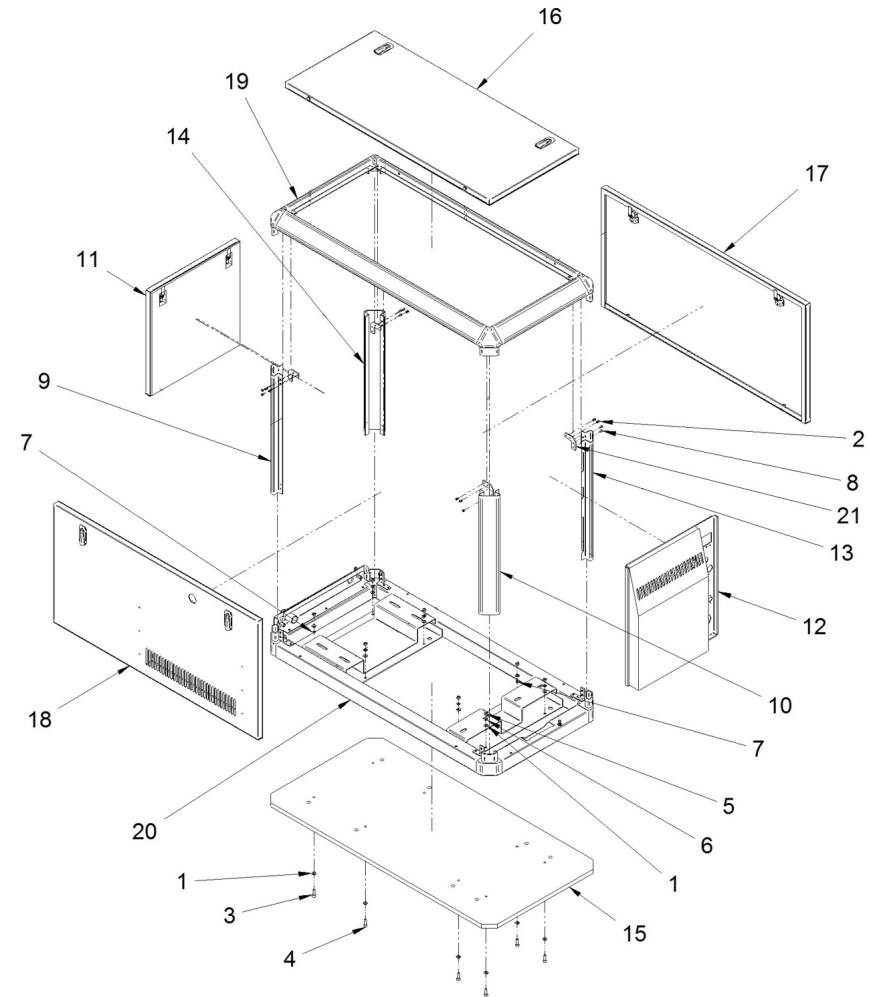


**Genset 20 GS/GSC & 25 GSA/GSAC**

**Canopy Spare Parts**

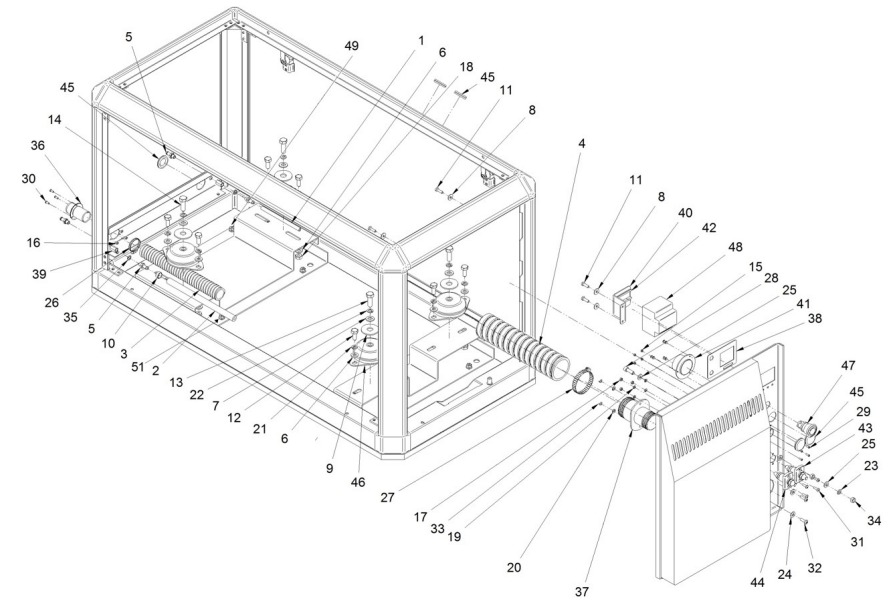
**D AUGK 4 1 Cabin**

Fig.	Ref.	Qty.	Descr.	Obs	From	UpTo
1	51030008	17	Washer DIN 125-8			
2	51058054	19	Aluminium Rivet 4.0 X 10			
3	52103258	7	Bolt DIN 912 M8-25 8.8			
4	52103259	1	Bolt DIN 912 M8-30 8.8			
5	52120008	8	Nut DIN 934 M8 8.8			
6	53033008	6	Washer GROWER DIN 127-8			
7	53038008	5	Washer DIN 6798-A 8			
8	53105104	8	Bolt DIN 7991 M5-10 12.9			
9	60571043.03	1	VERTICAL BAR			
10	60571043.04	1	VERTICAL BAR			
11	60571043.24	1	FrontAL Panel			
12	60571043.25	1	Back Panel			
13	60571043.31	1	VERTICAL BAR			
14	60571043.32	1	VERTICAL BAR			
15	60571044.10	1	BASEBOARD			
16	60571044.20	1	Upper Panel			
17	60571044.21	1	Side Panel			
18	60571044.22	1	Air Output Panel			
19	60571044.30	1	Upper FRAME			
20	60571044.61	1	Bottom Frame			
21	60573041.43	4	L Fastening Bracket			



**D AUGK 4 2 Kit Cabin**

Fig.	Ref.	Qty.	Descr.	Obs	From	UpTo
1	M80501006	1	Hose D.10-6			
2	M81510817	1	Fuel Hose D. 8-17			
3	M87503040	2	Water Intake Hose (HQ) D. 30-38			
4	M88506072	0.0	Exhaust Hose D. 60			
5	13814072	4	Straight Hose Connector 1/8" NPTF			
6	51030010	16	Washer DIN 125-10			
7	51030012	5	Washer DIN 125-12			
9	51031006	4	Washer DIN 9021 6			
9	51031012	4	Washer DIN 9021 12			
10	51086015	8	One Ear Clamp With Interior Ring 13-15,3			
11	52102156	4	Bolt DIN 933 M6-16 8.8			
12	52102307	8	Bolt DIN 933 M10-20 8.8			
13	52102358	2	Bolt DIN 933 M12-25 8.8			
14	52102359	2	Bolt DIN 933 M12-30 8.8			
15	52120003	4	Nut DIN 934 M3 8.8			
16	52120004	3	Nut DIN 934 M4 8.8			
17	52120005	4	Nut DIN 934 M5 8.8			
18	52120010	8	Nut DIN 934 M10 8.8			
19	53033005	7	Washer GROWER DIN 127-5			
20	53033006	2	Washer GROWER DIN 127-6			
21	53033010	8	Washer GROWER DIN 127-10			
22	53033012	4	Washer Grower DIN 127-12			
23	53038008	4	Washer DIN 6798-A 8			
24	54030006	3	Washer DIN 125-6 INOX.			
25	54030008	3	Washer DIN 125-8 INOX.			
26	54082025	6	Clamp DIN 3017 25-40/12 W4			
27	54083079	2	GP Clamp 68-73 W4 STC			
28	54103258	1000	Bolt DIN 912 M8-25 INOX.			
29	54118004	4	Bolt DIN 7985 M3-10 INOX			
30	54118054	3	Bolt DIN 7985 M4-10 INOX			
31	54118106	4	Bolt DIN 7985 M5-16 INOX			

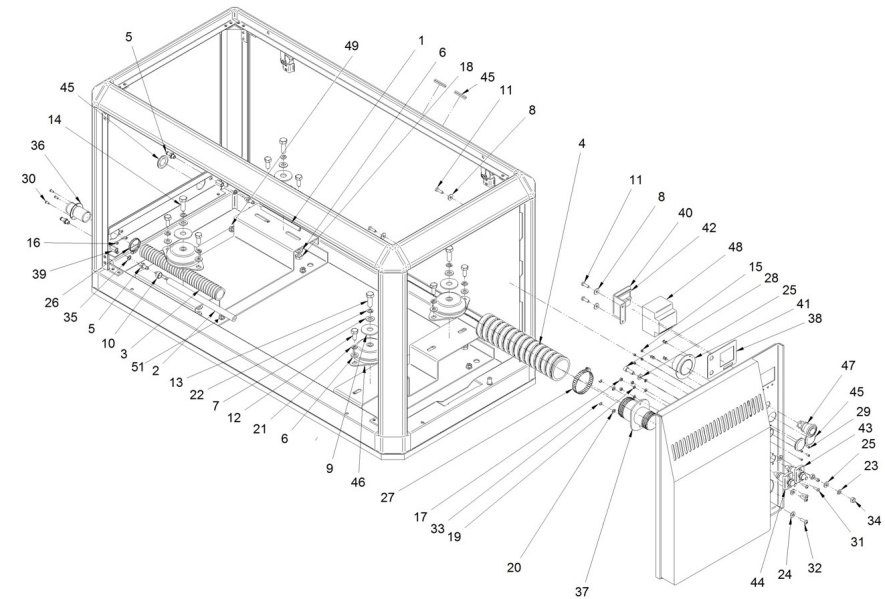


**Genset 20 GS/GSC & 25 GSA/GSAC**

**Canopy Spare Parts**

**D AUGK 4 2 Kit Cabin**

Fig.	Ref.	Qty.	Descr.	Obs	From	UpTo
32	54118157	2	Bolt DIN 7985 M6-20 INOX			
33	54120006	2	Nut DIN 934 M6 INOX			
34	54120008	2	Nut DIN 934 M8			
35	57000361	2	Washer 10-14-1,5			
36	60571015	1	Sea Water Wall PASS			
37	60571016	1	Exhaust Wall Pass D.60-50			
38	60571034	1	Genset MAGNETO Support			
39	60573041.39	2	ROD Coupling 1/8 BSP			
40	60573041.42	1	L FASTENING Bracket With OMEGA			
41	60573041.46	1	Air Connection D.50			
42	60573041.62	1	Switch Disconnecter Omega Bracket			
43	60573047	1	Battery Plug IN			
44	60573048	1	Battery Plug IN			
45	60900508	5	Shutter 31			
46	61673001	4	Engine Mount Type F 35 SHA M12 H 34			07/03/2023
46	61673005	4	Engine Mount Type F BRB 80 B50 SHA M12 H 35		07/03/2023	
47	60900510	1	Emergency Stop PUSH BOTTOM			
48	60971086.18	1	TWO PoleS 100A DISconnector			
49	51030008	8	Washer DIN 125-8			
51	52103259	1	Bolt DIN 912 M8-30 8.8			
NS	51030006	1	Washer DIN 125-6	☒		
NS	52102256	2	Bolt DIN 933 M8-16 8.8	☒		
NS	52102357	1	Bolt DIN 933 M12-20 8.8	☒		
NS	53038010	2	Washer DIN 6798-A 10	☒		
NS	53038012	1	Washer DIN 6798-A 12	☒		
NS	54082032	2	Clamp DIN 3017 32-50/12 W4	☒		
NS	58018160	4	Screw	☒		
NS	58088285	2	Pastic Cable Zip Tie	☒		
NS	59071404	1	Clamp RSGU 1 40/20 W1	☒		
NS	59071452	1	Clamp 1 42/15 W1	☒		
NS	60900509	1	Shutter 6	☒		

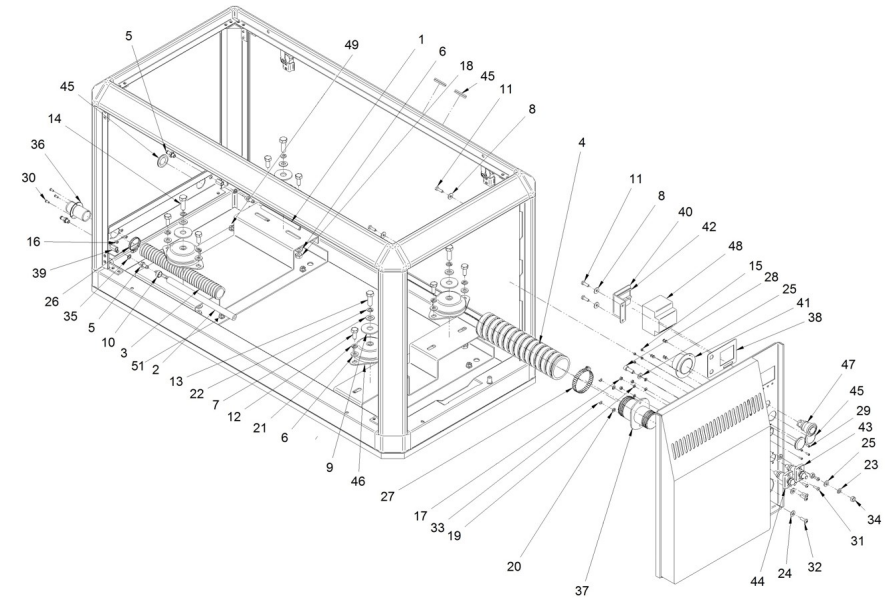


**Genset 20 GS/GSC & 25 GSA/GSAC**

**Canopy Spare Parts**

**D AUGK 4 2 Kit Cabin**

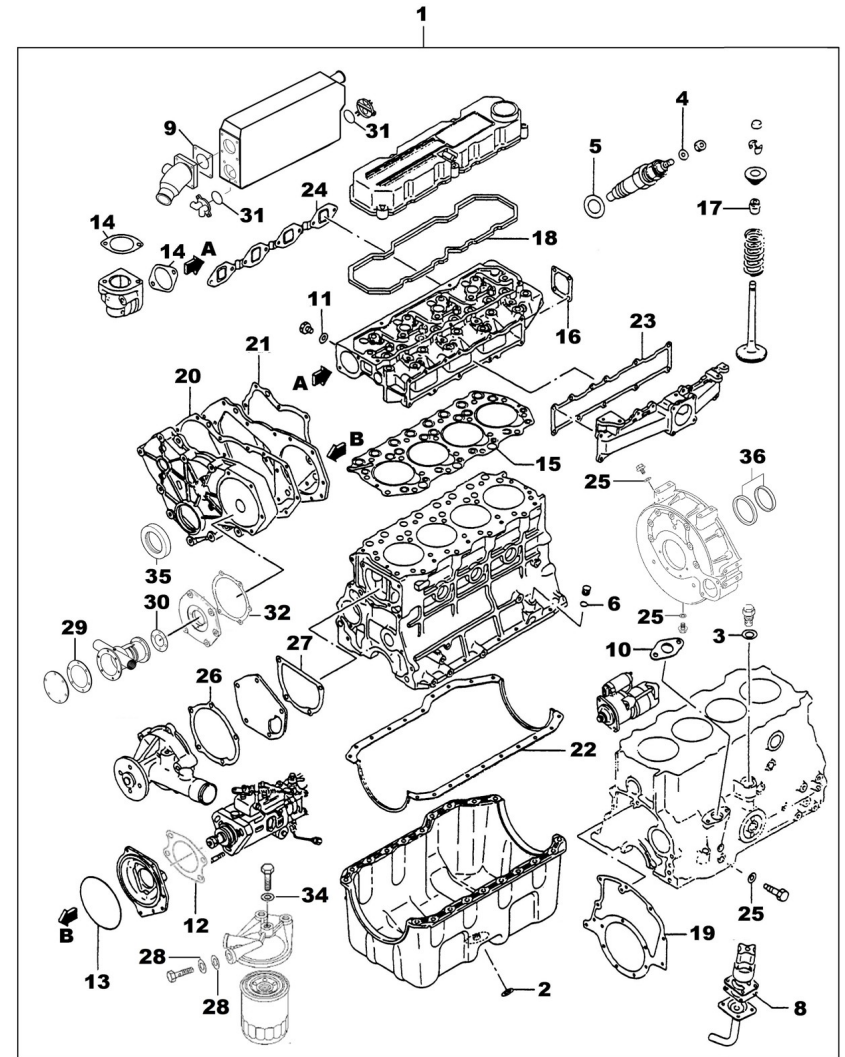
Fig.	Ref.	Qty.	Descr.	Obs	From	UpTo
NS	60971038	1	Positive Battery RED Wiring Sec. 25 mm - 1.52 m	[NS]		
NS	60972074	1	0,44 M. Back Panel To Alt. Wiring Ground	[NS]		
NS	60972090	2	TER. PROTECTIVE 20 RED	[NS]		
NS	60972091	2	TER. PROTECTIVE 20 BLACK	[NS]		
NS	60973048	1	BLACK Battery NEGATIVE Wiring	[NS]		
NS	60975073	1	CHASSIS 0,5 M. TO MOTOR Wiring GROUND	[NS]		
NS	CAP.FLEXI0064	2	Rubber Cap D. 6,4x13	[NS]		
NS	CINTA.16	0.0	30mm. Black Helical Tape (25 Mt.)	[NS]		
NS	M87503242	2.0	Water Intake Hose (HQ) D. 32-42	[NS]		
NS	M88564500	2.0	Air Aspiration Hose D. 45	[NS]		
NS	M88565000	1.0	Air Aspiration Hose D. 50	[NS]		





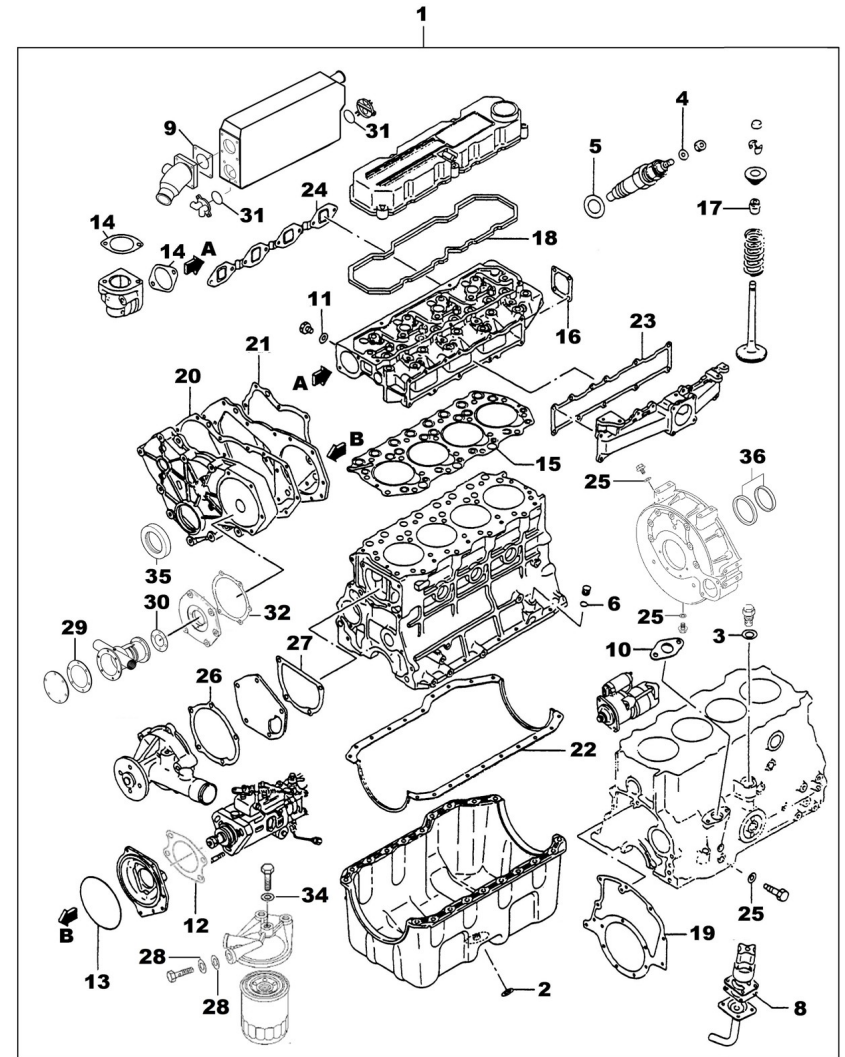
**D 17120101G Gasket Kit**

Fig.	Ref.	Qty.	Descr.	Obs	From	UpTo
1	17120101G	1	Kit Gasket			
2	17120074	1	Gasket			
3	17124063	1	Gasket			
4	17424025G.1	4	Gasket Fuel Return (Genset)			
5	13824013	4	Injector Washer			
6	17120058	1	O-Ring D. 13X2,5			
8	17124041	1	Gasket,STrainer			
9	17113016	1	Gasket			
10	17120041	1	Gasket			
11	17121013	2	Gasket			
12	17425028	1	Gasket			
13	13325001	1	O-Ring			
14	17111021	2	Gasket			
15	17121004	1	Gasket, cyl.head			
16	17121011	1	Gasket, head			
17	17122054	8	Seal,Valve Stem			
18	17121010	1	Rocker Cover Gasket			
19	17120025	1	Gasket,rear			
20	17120040	1	Gasket, timing Gear			
21	17120018	1	Gasket, front plate			
22	17120033	1	Gasket,oil pan			
23	17121032	1	Gasket, in manifold			
24	17121035	1	Gasket, Exhaust Manifold			
25	17124058	3	Gasket			
26	17121022	1	Gasket Water Pump			
27	17121041	1	Gasket			
28	17424008	4	Washer,SealING			
29	34711003	1	Gasket Cover			
30	13310013	1	Gasket,water pump			
31	18011008	2	O-Ring D. 72X3			
32	17120042	1	Gasket,cover			



**D 17120101G Gasket Kit**

Fig.	Ref.	Qty.	Descr.	Obs	From	UpTo
34	13324011	1	Washer			
35	17120039	1	Seal, oil			
36	13320063	1	Seal Oil			



**D UTILFA0958 1 Special Tools**

Fig.	Ref.	Qty.	Descr.	Obs	From	UpTo
1	U3069102700	1	Valve Sheet Insert Caulking Tool - Inlet			
2	U3069102800	1	Valve Sheet Insert Caulking Tool -Exhaust			
3	U3069104500	1	Valve Spring Pusher			
4	U3069113010	1	Oil seal sleeve installer set			
5	U3069121100	1	Gauge Adapter			
6	U3069151900	1	Idler Bushing Puller			
7	U3069158100	1	Piston Guide			
8	UMM74007	1	Piston Ring Pliers			
9	U32A9100300	1	Valve Guide Remover			
10	U32C9100300	1	Valve Guide Installer			
11	U32C9100500	1	Front Oil Seal Installer			
12	U32C9110400	1	Stem seal installer			
13	19440400.2	1	Compression Manometer 10-60 Bar			
14	UMH061077	1	Idler Shaft Puller			

