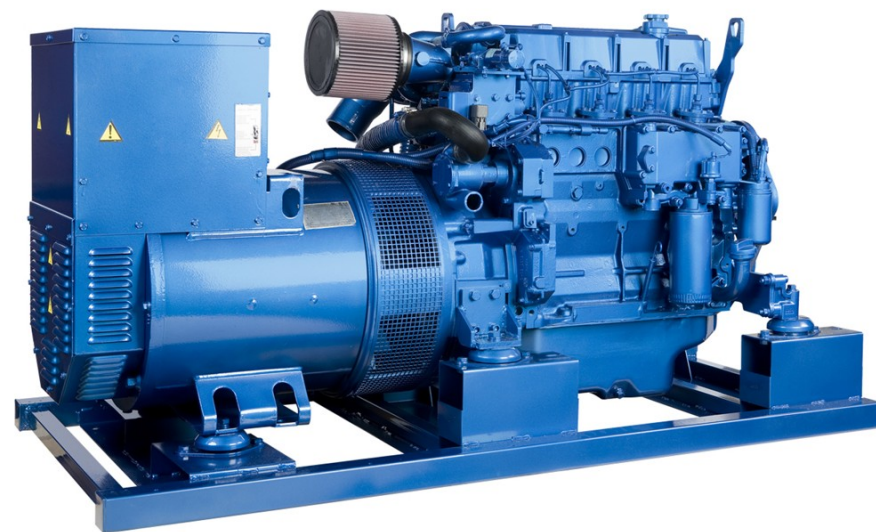




Genset 85 GT/GTC & 100 GTA/GTAC

VERSION 2024-3

PART LIST



PARTS LIST CATALOGUE

NORMS TO PLACE AN ORDER

For fast and more efficient service, please specify the following information on spare parts orders that must be preferably done by e-mail as specified below:

- 1- Engine model: As shown in identification plate
- 2- Engine serial number: As shown in identification plate and stamped on crankcase
- 3- Item description + part number + quantity required

Spare parts requests must be addressed to :

orders@solediesel.com

Telf.: +34 93 775 44 05

The components shown in the catalog have:

- Figure: Number by which they are represented in scheme
 - Description: Trade name of the component
 - Quantity: Total number of parts used in the assembly of the part represented (may differ from the total minimum quantities)
- Hoses, indicates the total length in meters

The diagrams shown in this catalog of spare parts, have only the purpose to identify the piece in question, its representation is not meaningful and may differ from the actual piece.

In case of doubt, contact Solé Diesel, or your authorized dealer.

The parts i / or references in this catalog are subject to change without notice.

SOLE, S.A.

C-243b, km, 2 - P.O. BOX 25
08760 Martorell (Barcelona) Spain

Index

Engine Body

- Cylinder Head
- Rocker Cover & Breather
- Valve Drive
- Timing Parts
- Gear Case
- Crankcase
- Flywheel Housing
- Piston & Connecting Rod
- Crankshaft & Flywheel
- Oil System
- Oil Pan
- Engine Brackets
- Oil Cooler

Inlet & Exhaust

- Inlet
- Turbocharger
- Spare Parts, Turbocharger
- Exhaust Manifold
- Breather Line

Cooling System

- Water Pump
- Cooler Pipes
- Wet Exhaust
- Water Cooler Assy SDZ-165/205/280
- Expansion Tank
- Key Pump SDZ-165/205/280 Gr-109/165

Fuel System

- Fuel Pipe
- Injection Nozzle
- Fuel Injection Pump
- Governor Parts
- Fuel Filter
- Feed Pump

Electrical System

- Kit Alternator 24V/55A
- Starter
- 24V Electrical Wiring
- Panels for Genset
- Spare Parts List for Generator Panel
- Genset Extension

Genset Alternator Spare Parts

- Alternators 85 GT/GTC and 100 GTA/GTAC
- Spare Part List Alternator Type C 85GT Y 100 GTA
- Spare Part List Alternator Type B 85GT Y 100 GTA UP TO 29/12/2021

- Kit Alt. MECC ALTE Tri. (C)
- Kit Alt. MECC ALTE Tri. (S)

Chassis Spare Parts

- Genset Chassis
- Chassis

Canopy Spare Parts

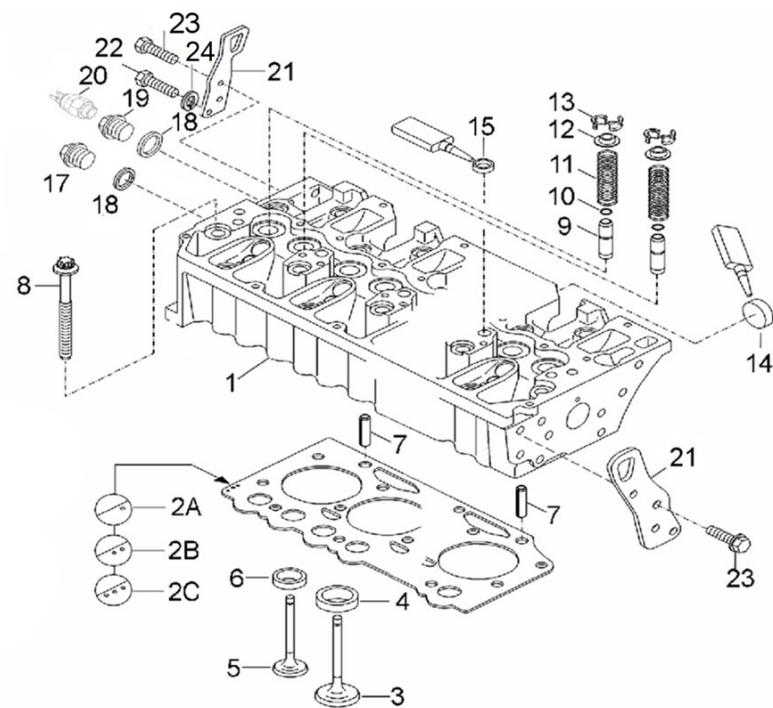
- Cabin
- Cabin Kit

Maintenance Kit

- Gasket Kit
- Fuel Filter
- Hand Pump
- Pipe Rubber Set SDZ-109 Genset V.S
- Repair Kit Water Pump
- Special Tools 1/4
- Special Tools 2/4
- Special Tools 3/4
- Special Tools 4/4

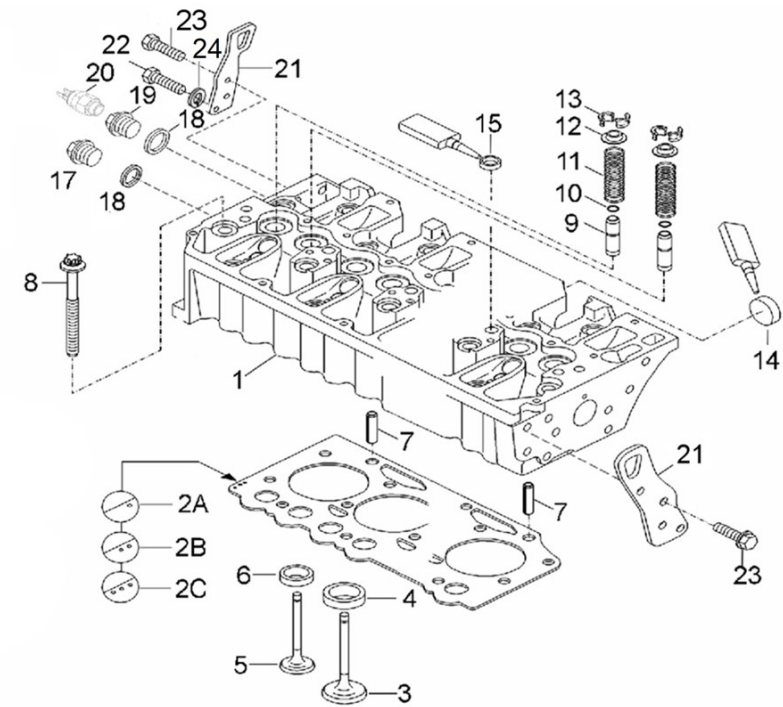
D_GJ01_1_1 **Cylinder Head**

Fig.	Ref.	Qty.	Descr.	Obs	From	UpTo
1	19421001G	1	Cylinder Head			
2A	19421004	1	Cylind.Head Gasket 1,54 mm			
2B	19421004.1	1	Cylind.Head Gasket 1,64 mm			
2C	19421004.2	1	Cylind.Head Gasket 1,74 mm			
3	19522055	4	Intake Valve			
4A	19421061	4	Valve Seat INSERT			
4B	19421061.1	4	OverSIZE Valve Seat INSERT - 1ST			
4C	19421061.2	4	OverSIZE Valve Seat INSERT - 2nd			
5	19522056	4	Exhaust Valve			
6A	19421062	4	Valve Seat INSERT			
6B	19421062.1	4	OverSIZE Valve Seat INSERT - 1A			04/12/2019
6C	19421062.2	4	OverSIZE Valve Seat INSERT - 2nd			04/12/2019
7	19421007	2	ClampING Bush			
8	19421005	18	Bolt,cylinder head			
9A	19421002A	8	Valve Guide			
9B	19421002.1	8	OverSIZE Valve Guide - 1ST			
9C	19421002.2	8	OverSIZE Valve Guide - 2nd			
10	19422054	8	O-Ring			
11	19422057	8	COMPRESSION Spring			
12	19422058	8	VALV.Spring RETAIN			
13	19422059	16	Valve COLLET			
14	19420011	3	Plug			
15	19421008	3	CORE Hole Plug			
16	56000069	1	Washer 14-20-1,5			
17	19420071.1	1	Screw Plug		22/11/2017	
17	60900988	1	Temperature Sensor			21/11/2017
18	19421016	2	SeallNG Ring			
19	19417003	1	Adapter Plug			
20	60994070	1	Thermo-switch 110°			
21	19410020	2	Bracket			
22	52102309	2	Bolt DIN 933 M10-30 8.8			



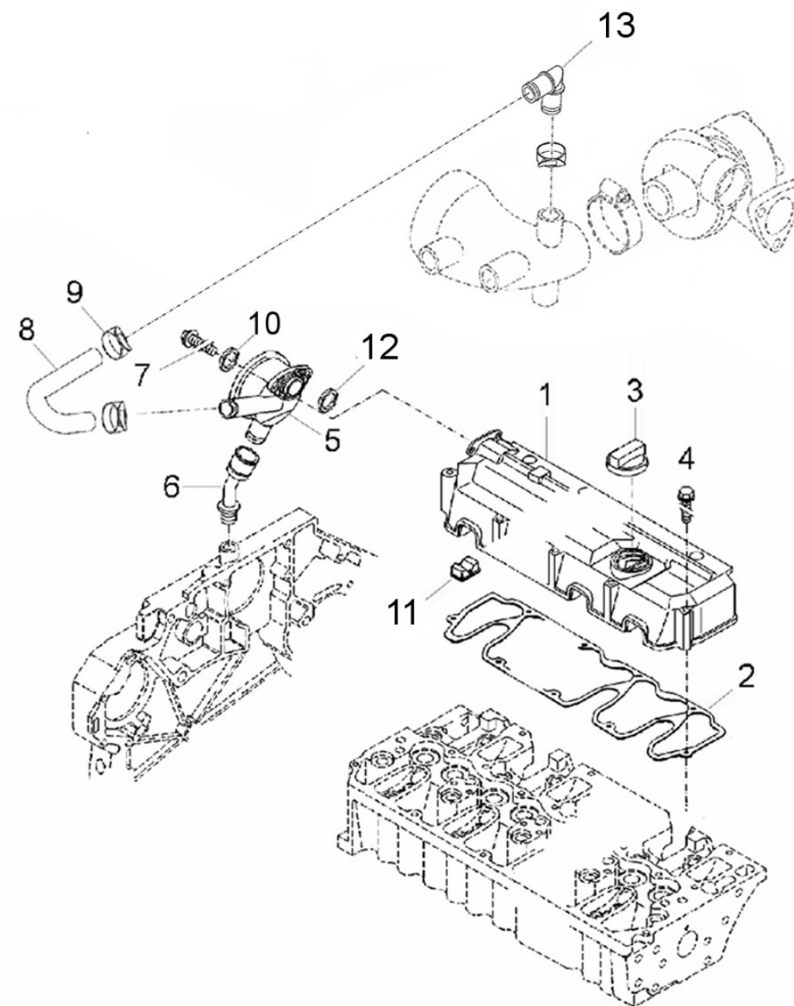
D_GJ01_1_1 Cylinder Head

Fig.	Ref.	Qty.	Descr.	Obs	From	UpTo
23	19420079	4	Screw			03/12/2019
24	53033010	2	Washer GROWER DIN 127-10			
NS	19421017	1	SAFETY/LOCK.AGENT			



D_GJ01_1_2 Rocker Cover & Breather

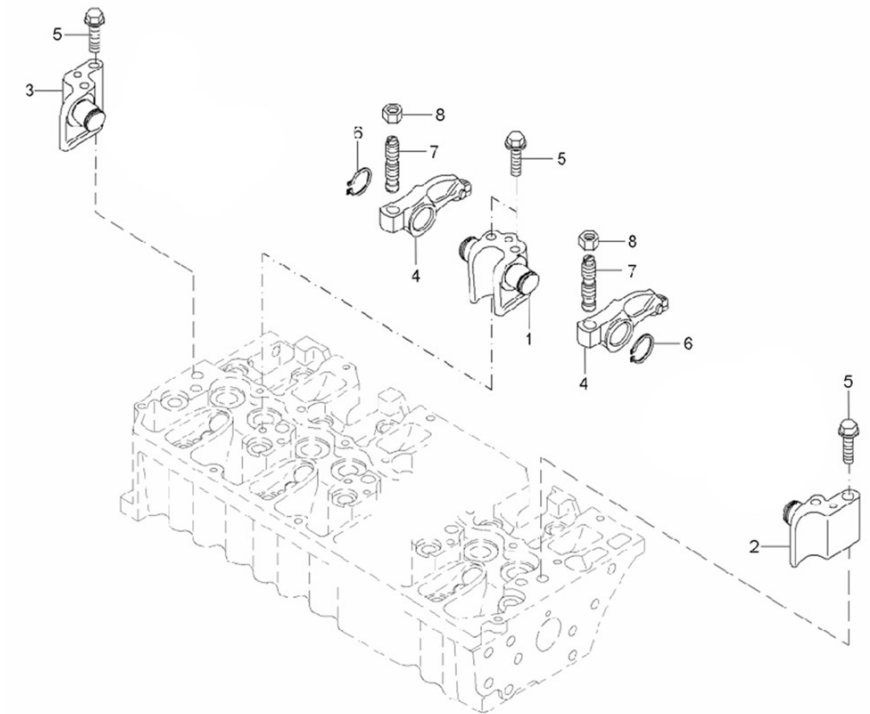
Fig.	Ref.	Qty.	Descr.	Obs	From	UpTo
1	19421009	1	Valve MECHAN.Cover			
2	19421010.1	1	Rocker Cover Gasket			
3	19421003	1	FILLER Cap			
4	19421012	9	HEXAGON Bolt			
5	19421051	1	Pressure REGULATO			
6	19421054	1	Rubber SLEEVE			
7	19621053	2	BOLT			
8	19421057.1	1	Hose DESAirA			
9	19421056	3	Hose Clip			
10	19621056	1	WASHER			
11	19421011	1	Cap			
12	19421052	1	Gasket			
13	19421058.1	1	Elbow			



D_GJ01_1_3

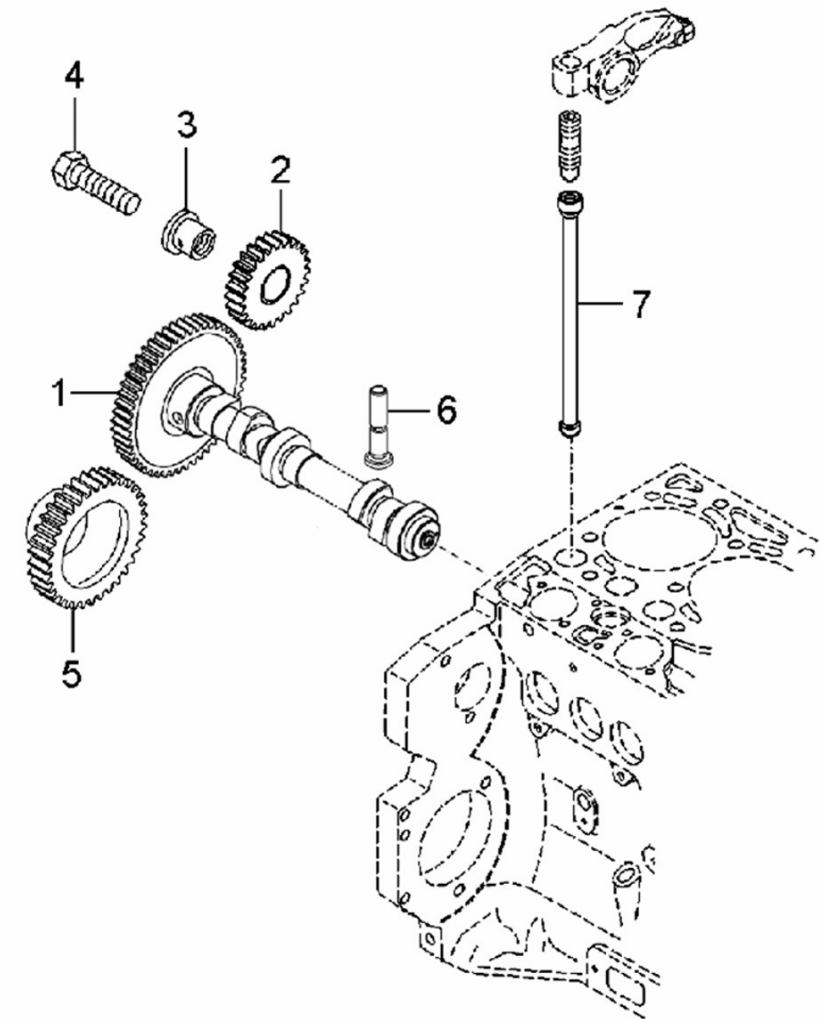
Valve Drive

Fig.	Ref.	Qty.	Descr.	Obs	From	UpTo
1	19422045	3	Rocker ARM Bracket			
2	19422045.1	1	Rocker ARM Bracket			
3	19422045.5	1	Rocker arm bracket			
4	19422042	8	Rocker ARM			
5	19422053	10	HEXAGON Bolt			
6	19422047	8	CIRClip			
7	19622044	8	Screw Adjusting			
8	19422052	8	Nut			

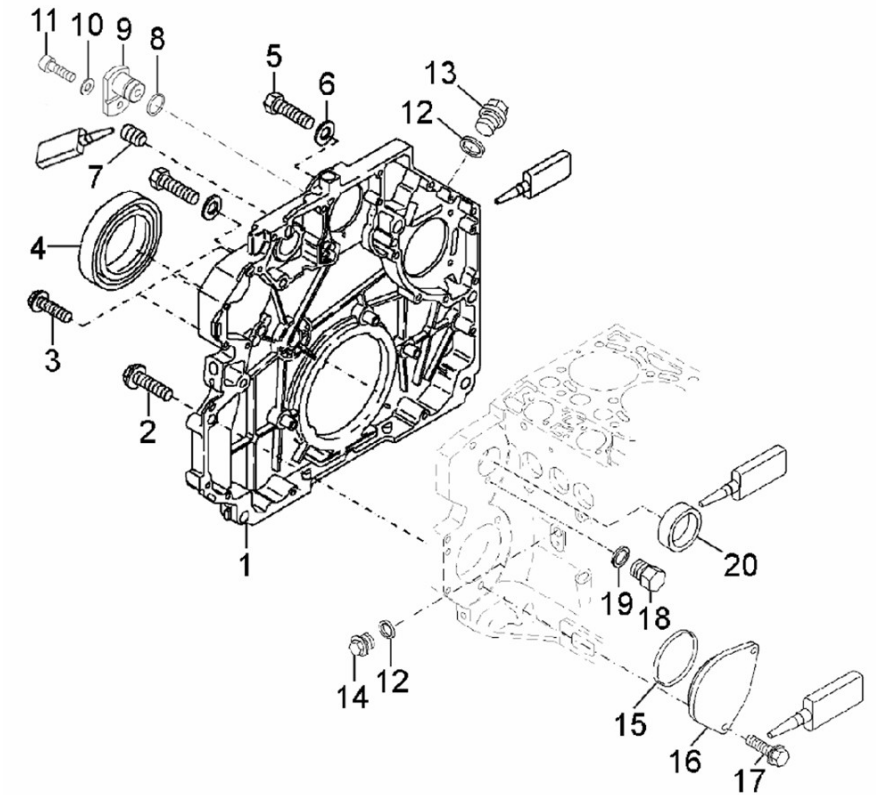


D_GJ01_1_4 Timing Parts

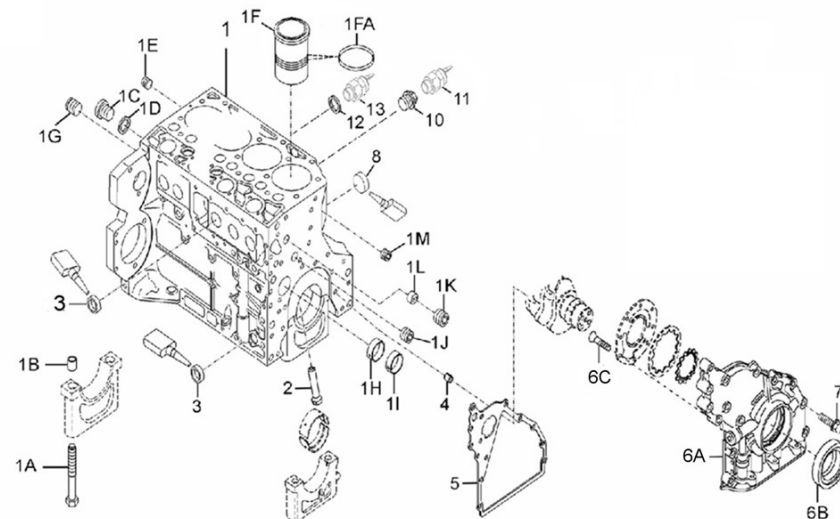
Fig.	Ref.	Qty.	Descr.	Obs	From	UpTo
1	19422030	1	CamShaft		28/01/2020	
1	19422035	1	CamShaft			28/01/2020
2	19422065	1	TOOTHED Gear			
3	19422067	1	THREADED PIECE			
4	19422066	1	HEXAGON Bolt			
5	19421124	1	Toothed Gear			
6	19422061.1	8	Tappet			
7	19422041	8	PUSHROD			



D_GJ01_1_5		Gear Case				
Fig.	Ref.	Qty.	Descr.	Obs	From	UpTo
1	19420055.1	1	GearCase			04/12/2019
2	19420027	12	Screw			
3	19421144	3	Hexagon Bolt			
4	19420039.1	1	ROT.Shaft LIP Seal			
5	19420056.1	2	Screw			
6	19420057.2	2	Plain Washer			
7	19420058.1	1	Screw			
8	19420200	1	O-Ring			
9	19420188	1	Plug			
10	19420201	1	Plain Washer			09/12/2019
11	19420187	1	Bolt			
12	19421016	1	Sealing Ring			
13	19421020	1	Screw Plug			
14	19420071.1	1	Screw Plug			
15	19420226	1	O-Ring D. 100X4			
16	19420225	1	Cover			
17	19420227	2	HEXAGON Bolt			
18	19421023	1	Screw Plug			
19	19424087	1	Sealing Ring			
20	19421024	1	Core Hole Plug			
NS	19420013	1	SAFETY/LOCK.AGENT			
NS	19420152	1	SAFETY/LOCK.AGENT			

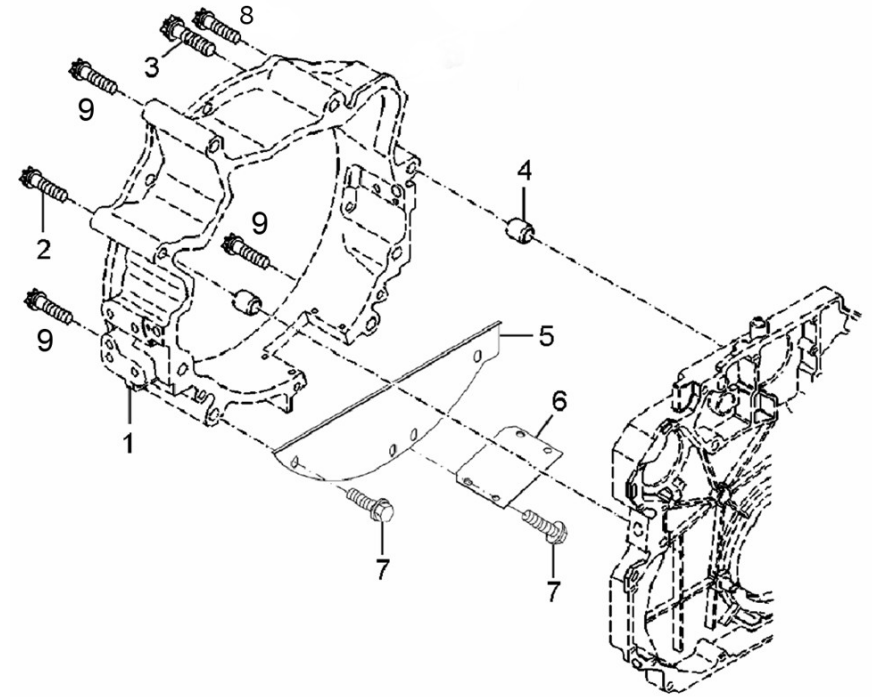


D_GJ01_1_6		Crankcase				
Fig.	Ref.	Qty.	Descr.	Obs	From	UpTo
1	19420001	1	CRANKCase			
1A	19420061	10	Screw			
1B	19420062	10	Bush			
1C	19420063	2	Screw Plug			
1D	19420064	3	SeallNG Ring			
1F	19420050	4	Cylinder LINER			
1FA	19420074	8	O-Ring D. 115X3			
1G	19420073.1	1	Screw Plug			
1H	19420068	4	Bearing Bush			
1I	19420069	1	Bearing Bush			
1J	19420066	1	Screw Plug			03/12/2019
1K	19420065	1	Screw Plug			
1L	19420072	1	Guide SLEEVE			
1M	19420067	2	Screw Plug			03/12/2019
2	19420034	4	Piston COOL.Nozzle			
3	19420070.1	6	CORE Hole Plug			
4	19420028	1	ClampING Bush			
5	19420026	1	Gasket			
6	19420025	1	Front Cover			03/12/2019
6B	19420008	1	ROT.Shaft LIP Seal			
6C	19420009	8	Screw			03/12/2019
7	19420027	14	Screw			
8	19420180	1	CORE Hole Plug			
10	19417001	1	Plug			
11	60900076	1	Switch, oil press			
12	56000069	1	Washer 14-20-1,5			21/11/2017
12	56000219	1	Washer 14-20-3			22/11/2017
13	19420071	1	Screw Plug			21/11/2017
13	60900988	1	Temperature Sensor			21/11/2017



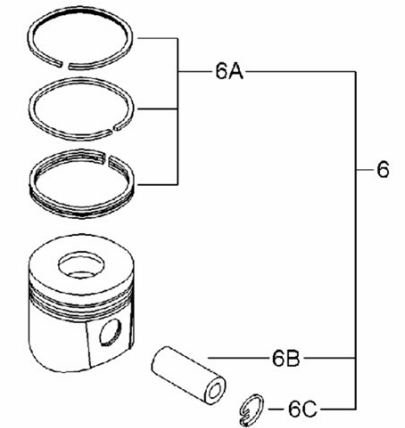
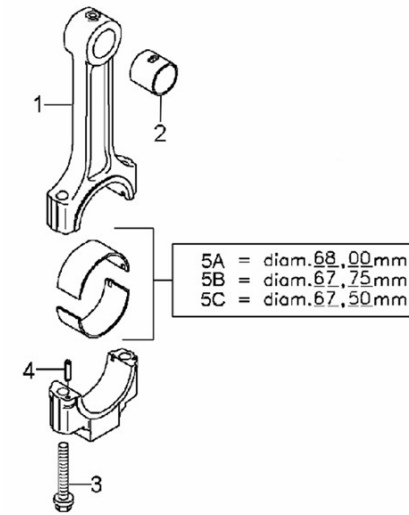
D_GJ01_1_7 Flywheel Housing

Fig.	Ref.	Qty.	Descr.	Obs	From	UpTo
1	19420211G.1	1	Connection Housing			
2	19420203	1	Bolt			
3	19420204G	1	Bolt			
4	19420210G.1	2	Bush			
5	19420213	1	Cover			
6	19420205	1	Cover			
7	19428054	8	Screw			
8	19420204	1	Bolt			
9	19420203G	3	Bolt			



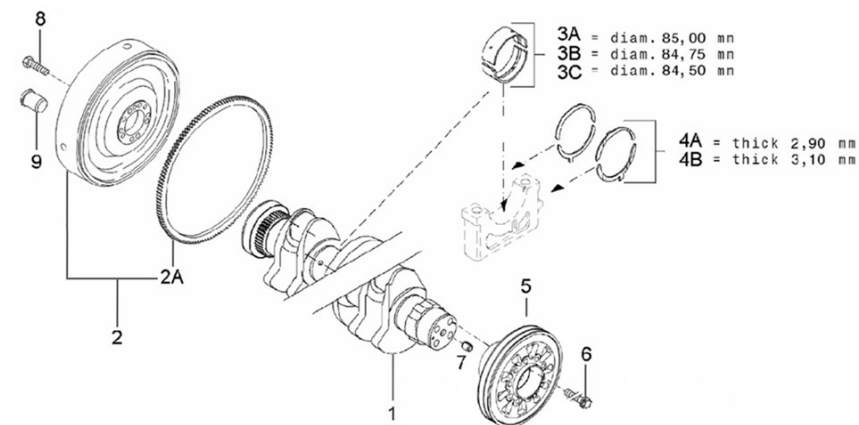
D_GJ01_1_8 Piston & Connecting Rod

Fig.	Ref.	Qty.	Descr.	Obs	From	UpTo
1	19422012	4	Connecting Rod			
2	19422033	4	BIG END Bush			
3	19422013	8	Bolt,connecting rod			
4	19422009	8	ClampING Bush			
5A	19422014	4	BIG END Bearing Std.			
5B	19422015	0	BIG END Bearing -0,25	#		
5C	19422016	0	BIG END Bearing -0,50	#		
6	19422001	4	Piston			
6A	19422006	4	Set OF PIST. RingS			
6B	19422011.1	4	Piston Pin			
6C	19422010	8	CIRClip			

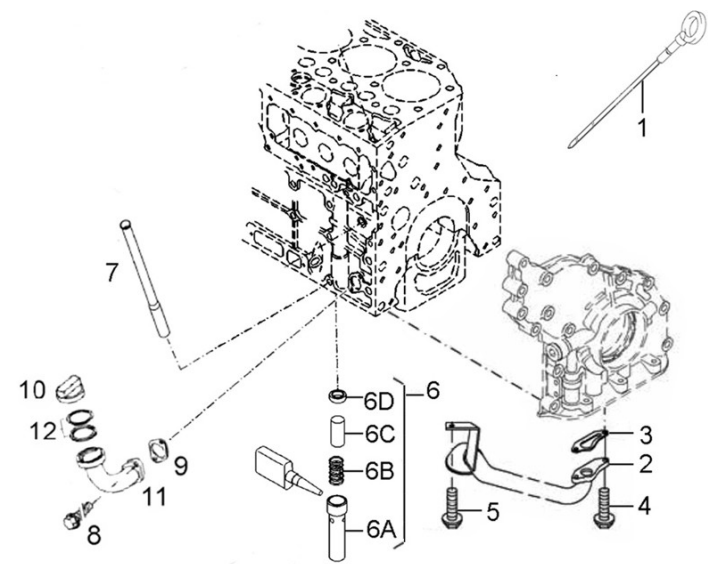


D_GJ01_1_9 Crankshaft & Flywheel

Fig.	Ref.	Qty.	Descr.	Obs	From	UpTo
1A	19422018.1	1	CrankShaft			
1B	19422018	1	CrankShaft			
2	19422027G.1	1	Flywheel			
2A	19422029	1	Gear RIM			
3A	19420003	5	Bearing Set STD.			
3B	19420004	0	Bearing Set -0,25	#		
3C	19420005	0	Bearing Set -0,50	#		
4A	19420109	10	THRUST Washer Std.			
4B	19420105	10	THRUST Washer			
5	19422024G	1	Pulley CrankShaft			
6	19422026.1	4	HEXAGON Bolt			
7	19422036	1	ClampING Bush			
8	19422031G	9	HEXAGON Bolt			
9	19422037	4	Plug			

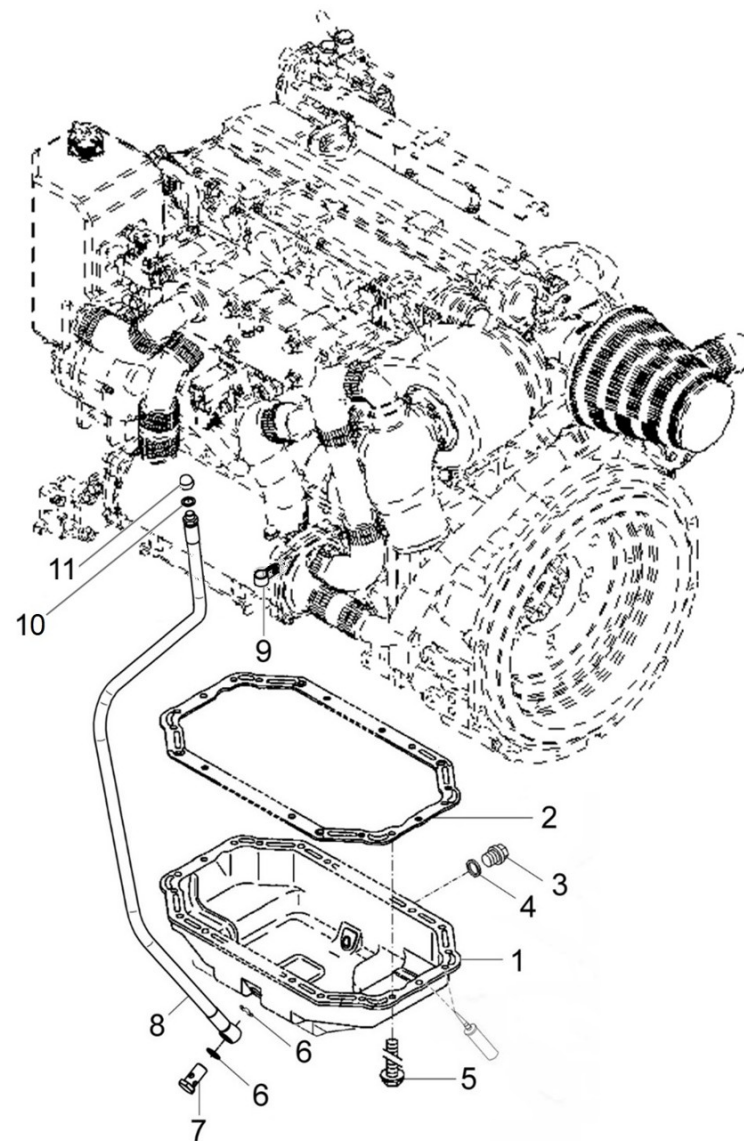


D_GJ01_1_10		Oil Sysem				
Fig.	Ref.	Qty.	Descr.	Obs	From	UpTo
1	19420029G	1	Gauge Oil LEVEL			
2	19424052.1	1	Oil SUCTION Pipe			04/12/2019
3	19424056.1	1	Gasket			
4	19424006	2	HEXAGON Bolt			
5	19420036	1	Screw			
6	19420040	1	Valve Assy			
6A	19420043	1	SLEEVE			
6B	19420041	1	COMPRESSION Spring			
6C	19420042	1	Valve Plunger			
6D	19420044	1	Ring			
7	19620027	1	Guide Tube			
8	19420163	2	Screw			
9	19421076	1	Gasket			
10	19421003	1	FILLER Cap			
11	19424016	1	Oil Filler Neck			
12	19424017	1	Repair Kit			



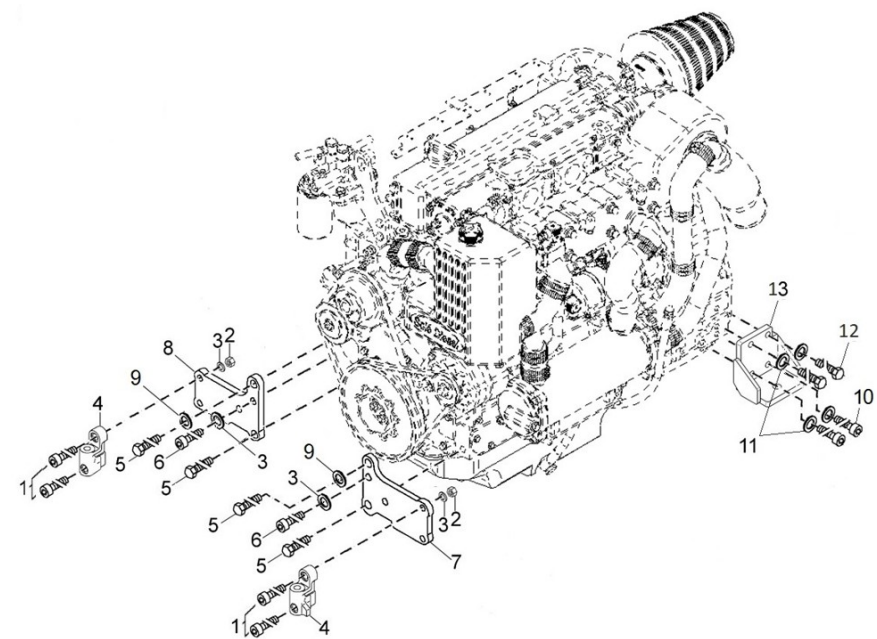
D_GJ01_1_11 Oil Pan

Fig.	Ref.	Qty.	Descr.	Obs	From	UpTo
1	19420030	1	Oil PAN			
2	19420033	1	Gasket			
3	19420031	1	Plug			
4	19420032.1	1	Gasket			
5	19420036	26	Screw			
6	56000077	2	Washer 18-23-1,5			
7	16514022	1	Coupling,screw 18x150			
8	19414021	1	Oil ExtraCTION Tube			
9	18014022	1	Bracket,pipe			
10	56000217	1	Washer 13-20-3			
11	16514020	1	Plug			

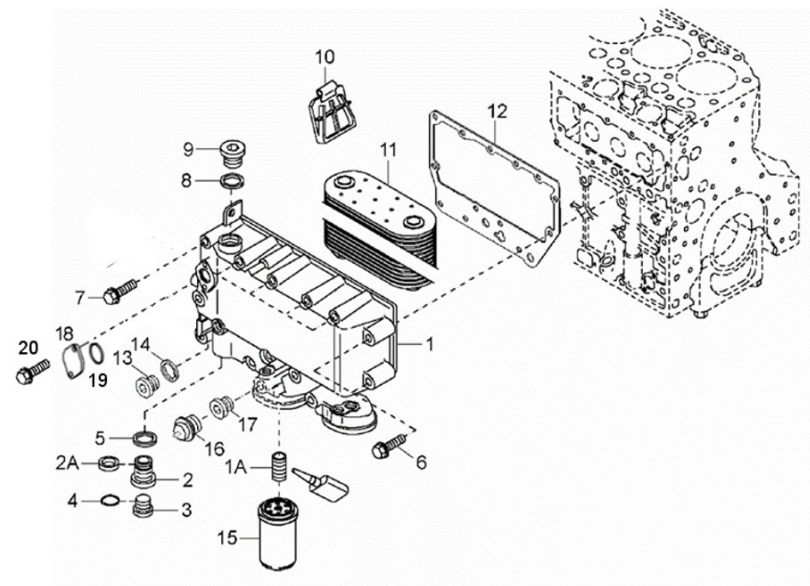


D_GJ01_1_12 Engine Brackets

Fig.	Ref.	Qty.	Descr.	Obs	From	UpTo
1	52101365	4	Bolt DIN 931 M12-60 8.8 CINCADO			
2	52120012	4	Nut DIN 934 M12 8.8			
3	51030012	4	Washer DIN 125-12			
4	19427023	2	MOUNTING FOOT			
5	19427024	4	Bolt			
6	52103361	2	Bolt DIN 912 M12-40 8.8			
7	19427019	1	Bracket			
8	19427022	1	Bracket			
9	19427041	4	Plain Whasher			
10	52103359	4	Bolt DIN 912 M12-30 8.8			
11	53033012	8	Washer Grower DIN 127-12			
12	52102359	6	Bolt DIN 933 M12-30 8.8			
13	60594020	2	REAR Bracket, Genset V.			

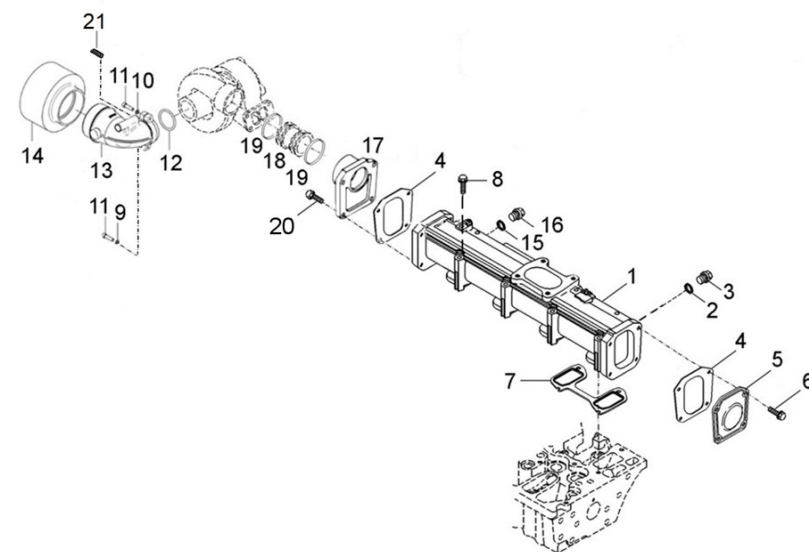


D_GJ01_1_14		Oil Cooler			
Fig.	Ref.	Qty.	Descr.	Obs	From UpTo
1	19422110	1	Oil Cooler Box		04/12/2019
1A	19422114	1	Bush		
2	19422111	1	COLLAR Screw		
2A	19422115	1	Sealing Ring		
3	19422112	1	Plug		09/12/2019
4	19422113	1	O-Ring		
5	19422118	1	Sealing Ring		
6	19422120	3	HEXAGON Bolt		
7	19422124	10	HEXAGON Bolt		
8	19421019	1	Sealing Ring		
9	19422125	1	Screw Plug		09/12/2019
10	19422116	1	CORE Hole Plug		
11	19422117	1	Oil Cooler		
12	19424084	1	Gasket		
13	19424088	1	Screw Plug		04/12/2019
14	19424082	1	Sealing Ring		
15	19424051	1	Oil Filter Element SDZ 165/205/280		
16	60900985	1	Pressure Sensor		
17	19417001	1	Plug		
18	19422123G	1	BLANK Flange		
19	19422121	1	O-Ring		
20	19420036	2	Screw		



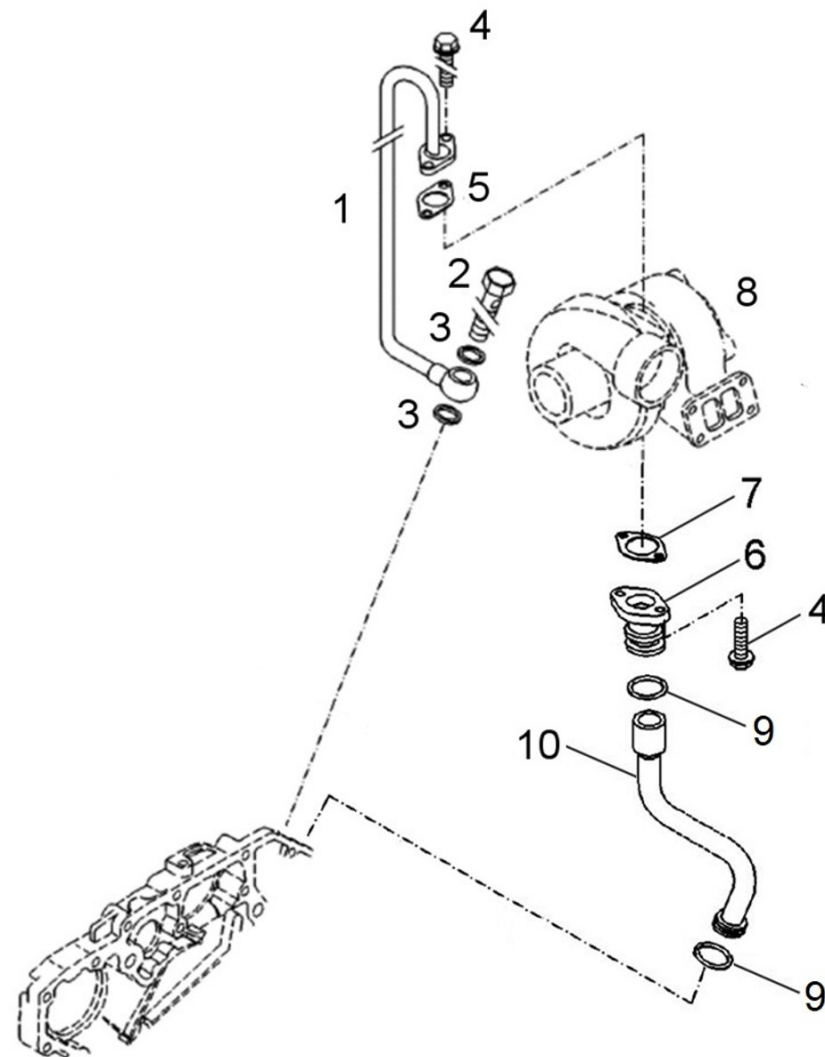
D_GJ01_2_1 Inlet

Fig.	Ref.	Qty.	Descr.	Obs	From	UpTo
1	19521080	1	CHARGE Air Pipe			
2	19420059G	1	Sealing Ring			
3	19420063	1	Screw Plug			
4	19421047	1	Gasket			
5	19421045	1	Cover			
6	19420036	4	Screw			
7	19421063	2	Gasket			
8	19421012	8	HEXAGON Bolt			
9	51030008	1	Washer DIN 125-8			
10	53038008	6	Washer DIN 6798-A 8			
11	52103259	2	Bolt DIN 912 M8-30 8.8			
12	19610019	1	O-Ring D. 62X5 VITON			
13	19410015	1	Bracket, Air Filter			
14	19410032	1	Air Filter			
15	19424087	1	Sealing Ring			
16	19421020G	1	Screw Plug			
17	19421050	1	Interm.Flange			
18	19421038	1	Plug			
19	19421039	2	O-Ring D. 40X6 VITON			
20	19424006	4	HEXAGON Bolt			
21	52114155	1	Bolt DIN 916 M6-12 8.8			



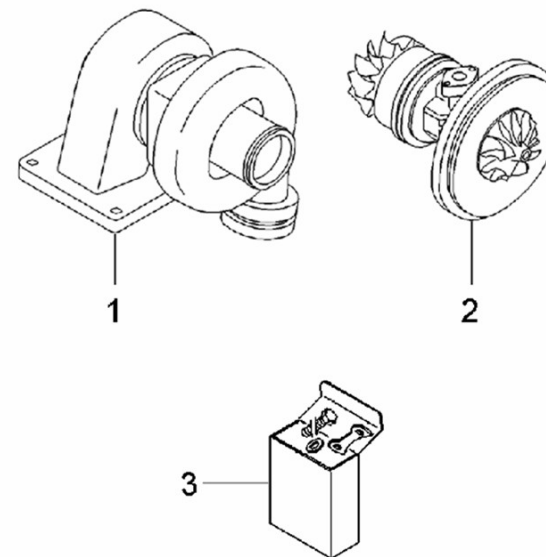
D_GJ01_2_2 Turbocharger

Fig.	Ref.	Qty.	Descr.	Obs	From	UpTo
1	19424090G	1	LUBRICAT.Oil LINE			
2	19424067	1	Hollow screw			
3	19421016	2	Sealing Ring			
4	19420163	4	Screw			
5	19428041	1	Gasket			
6	19428011	1	Plug-in Flange			
7	19428062	1	Gasket			
9	19428063	2	Sealing Ring			
10	19428010	1	Retur Line			



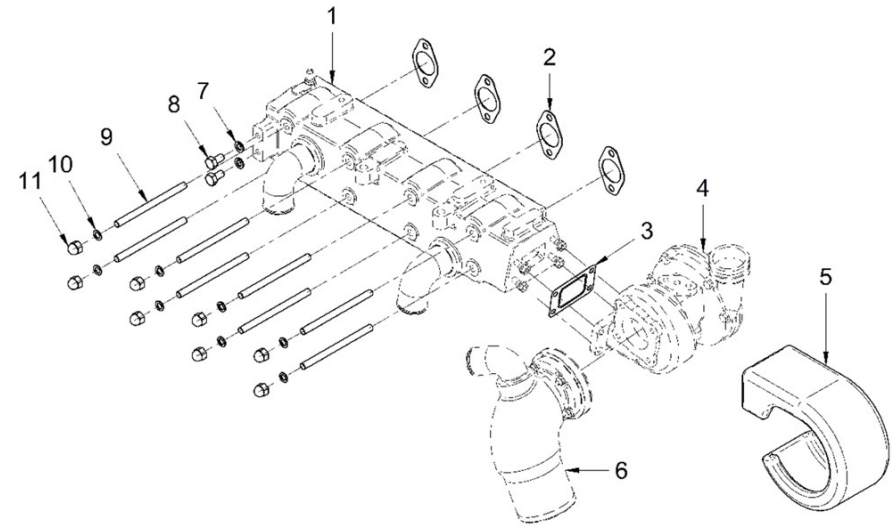
D_GJ01_2_3 Spare Parts, Turbocharger

Fig.	Ref.	Qty.	Descr.	Obs	From	UpTo
1	19428012G.2	1	Turbocharger, Assy			
2	19428012.1G	1	CORE Assembly			
3	19428012K	1	REPAir Kit, TURBO			
NS	19428012.1.5	1	Clamp			



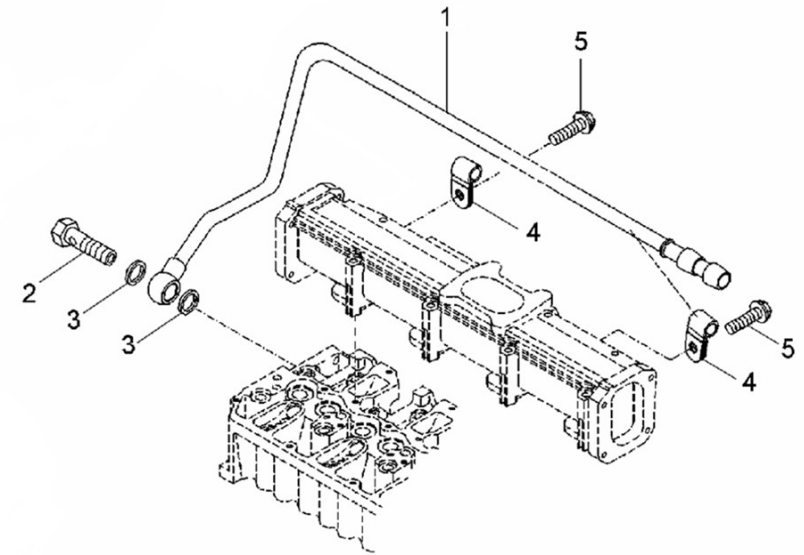
D_GI01_2_4 Exhaust Manifold

Fig.	Ref.	Qty.	Descr.	Obs	From	UpTo
1	19413000	1	MANIFOld,Assy			
2	19421181.2	4	Gasket			
3	19421183.2	1	Gasket			
5	19118010	1	Termic,bucklers			
7	53033010	2	Washer GROWER DIN 127-10			
8	52102307	2	Bolt DIN 933 M10-20 8.8			
9	19413002	8	Stud			
10	56000061	12	Washer 10-16-1,5			
11	13511013	12	Nut DIN 1587 M10			



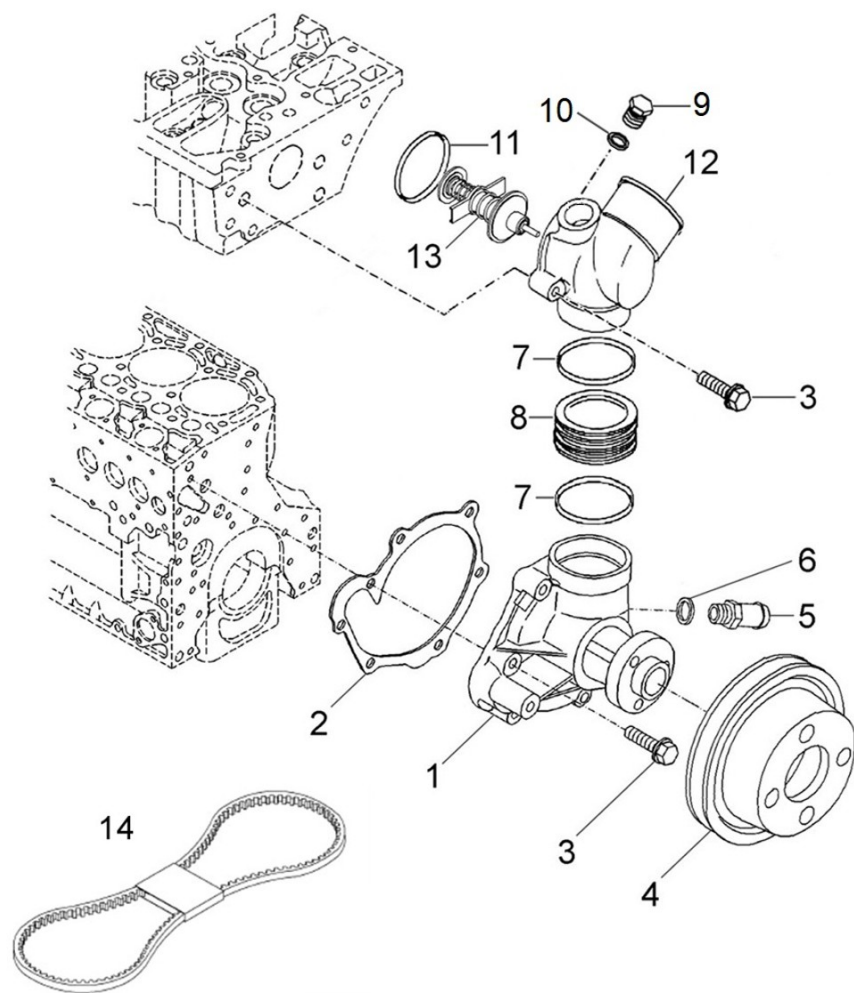
D_GJ01_2_5 Breather Line

Fig.	Ref.	Qty.	Descr.	Obs	From	UpTo
1	19421090.2	1	Breather Line			28/02/2020
2	19421091.1	2	Screw			
3	19424091	2	Retention Valve			
4	19428055	2	Pipe Clamp			
5	19428054	2	Screw			



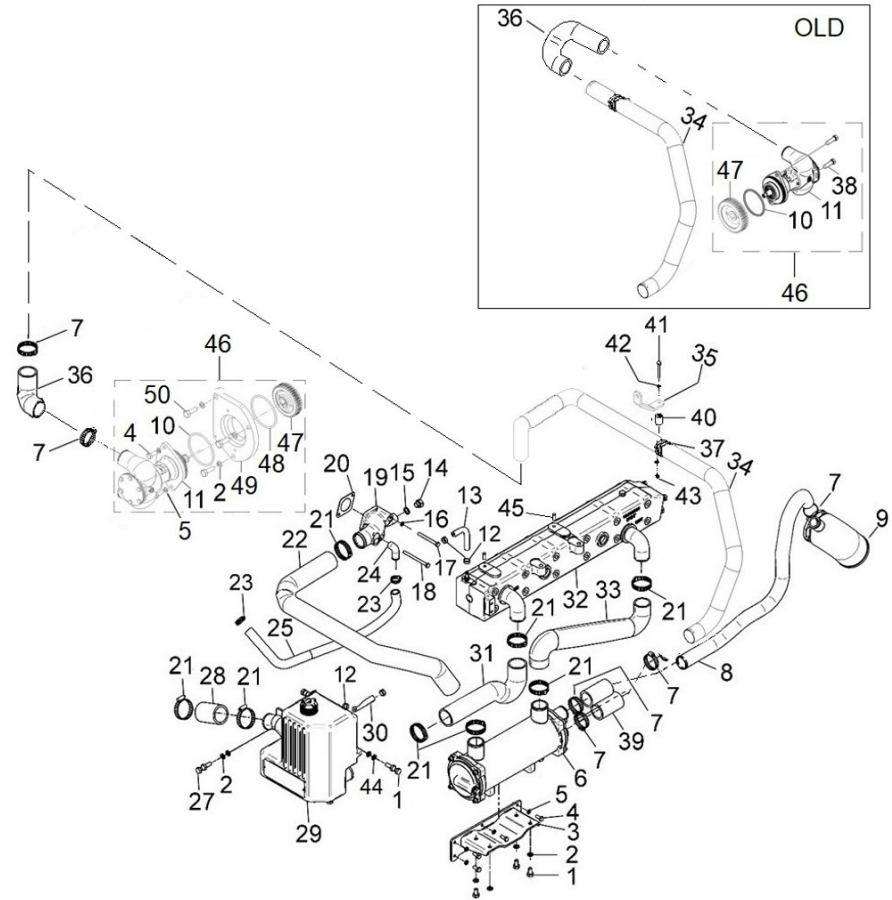
D_GJ01_3_1 Water Pump

Fig.	Ref.	Qty.	Descr.	Obs	From	UpTo
1	19421025G	1	Fresh Water Pump		15/06/2016	
2	19421040	1	Flat Gasket		15/06/2016	
3	19420027	9	Screw		15/06/2016	
4	19421094	1	Pulley		15/06/2016	
5	19421089	1	Hose Connector		15/06/2016	
6	19424064	1	Sealing Ring		15/06/2016	
7	19421044	2	O-Ring		15/06/2016	
8	19421042	1	Plug		15/06/2016	
9	19420165	1	VENT Plug		15/06/2016	
10	19421016.1	1	Sealing Ring		15/06/2016	
11	19421041	1	O-Ring		15/06/2016	
12	19521027.1C	1	Thermostat		15/06/2016	
12	19521093	1	Thermostat		15/06/2016	
13	19521027.1	1	Thermostat		15/06/2016	05/03/2020
13	19521029	1	Thermostat		05/03/2020	
14	17521028	1	Belt Type AX 45 1175			



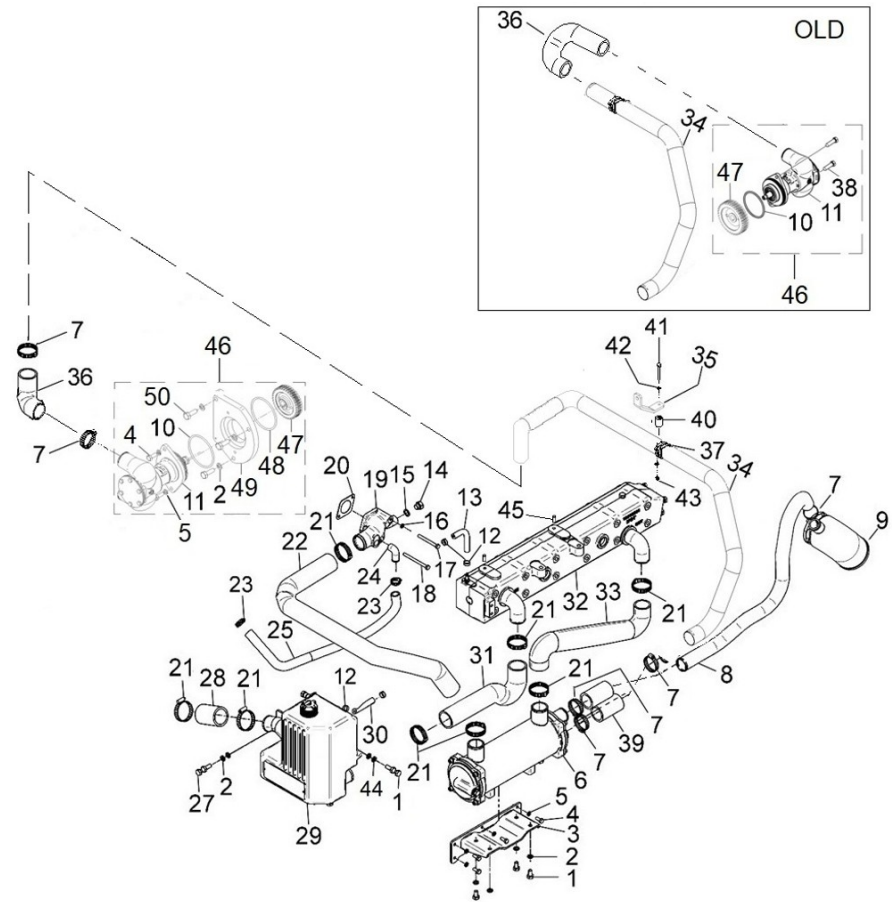
D_GJ01_3_2 Cooler Pipes

Fig.	Ref.	Qty.	Descr.	Obs	From	UpTo
1	52102307	6	Bolt DIN 933 M10-20 8.8			
2	53033010	9	Washer GROWER DIN 127-10			
3	19411014G	1	Refrigerator Support			
4	52102257	8	Bolt DIN 933 M8-20 8.8			
5	53033008	8	Washer GROWER DIN 127-8			
6	19411000	1	Water Cooler Assy SDZ-165/205/280			
7	54082032	6	Clamp DIN 3017 32-50/12 W4			
8	M87504252	1	Water Intake Hose (HQ) D. 42-52			
10	19420221	1	O-Ring D. 82X4 VITON			
11	39411000	1	Key Pump SDZ-165/205/280 Gr-109/165			
12	54081008	4	Clamp DIN 3017 8-16 W4			
13	19411041	1	Purge Hose </td <td></td> <td></td> <td></td>			
14	12111076	1	Plug			
15	56000073	1	Copper Washer 16-23-1,5			
16	53038008	2	Washer DIN 6798-A 8			
17	52101269	1	Bolt DIN 931 M8-80 8.8			
18	52101273	1	Bolt DIN 931 M8-100 8.8			
19	19411011	1	Cooler Water Inlet BEND			
20	19411010	1	Gasket			
21	54082040	8	Clamp DIN 3017 40-60/12 W4			
22	19411020	1	Hose			
23	54081020	2	Clamp DIN 3017 20-32/9 W4			
24	13211027	1	Water Inlet Bend			
25	M81560022	1.0	Cooling Hose SDZ Group Earth Isolated D. 22			
25	M87501927	1	Water Intake Hose (HQ) D. 19-27			
27	52102308	2	Bolt DIN 933 M10-25 8.8			
28	19411043	1	Pipe 48-60-85			
29	19411009	1	Expansion Tank			
30	19411042	1	Hose			
31	19411019	1	Hose			
32	19413000	1	MANIFOLD,Assy			



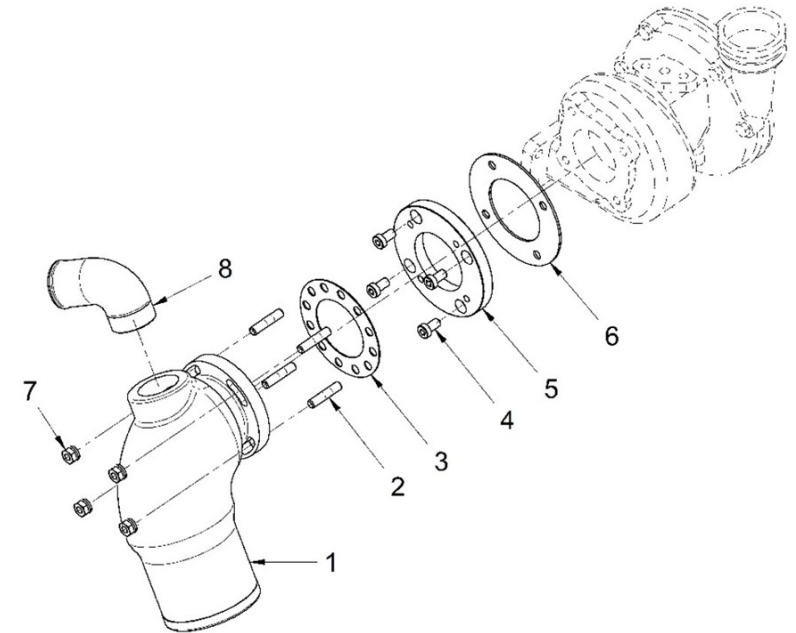
D_GJ01_3_2 Cooler Pipes

Fig.	Ref.	Qty.	Descr.	Obs	From	UpTo
33	19611020G	1	Hose			
34	19411053	1	Pump Hose			23/05/2018
34	19411053.1	1	Pump Pipe D.42		24/05/2018	31/12/2022
34	19411095	1	Brass Pump Pipe D.42 SDZ109		01/01/2023	
35	19411052	1	Bracket, Pump Hose			23/05/2018
35	19411052.1	1	Pump Hose Bracket		24/05/2018	
36	19411015	1	Elbow		01/01/2023	
36	19411034	1	Pipe, Rubber			31/12/2022
37	59071452	2	Clamp 1 42/15 W1			
38A	52101266	2	Bolt DIN 931 M8-65 8.8			
38B	51030008	2	Washer DIN 125-8			
39	19411061	1	Rubber Hose D.42-52-90			
40	13817118	1	Spacer 8,5x20x28			17/06/2018
41	52101163	1	Bolt DIN 931 M6-50 8.8			
42	51030006	2	Washer DIN 125-6			
43	52120006	1	Nut DIN 934 M6 8.8			
44	53038010	2	Washer DIN 6798-A 10			
45	52114304	2	Bolt DIN 916 M10-10 UMBR			
46	39411000A19	1	Key Pump SDZ-165/205/280 GR-109/165, KIT			31/12/2022
46	39411000A22	1	KEY PUMP SDZ-165/205/280 GR-109/165 (2022), Kit		01/01/2023	
47	19421124	1	Toothed Gear			
48	19610021	1	O-Ring D. 90X4 VITON			
49	19610060	1	Pump Adaptor			
50	52102309	3	Bolt DIN 933 M10-30 8.8			



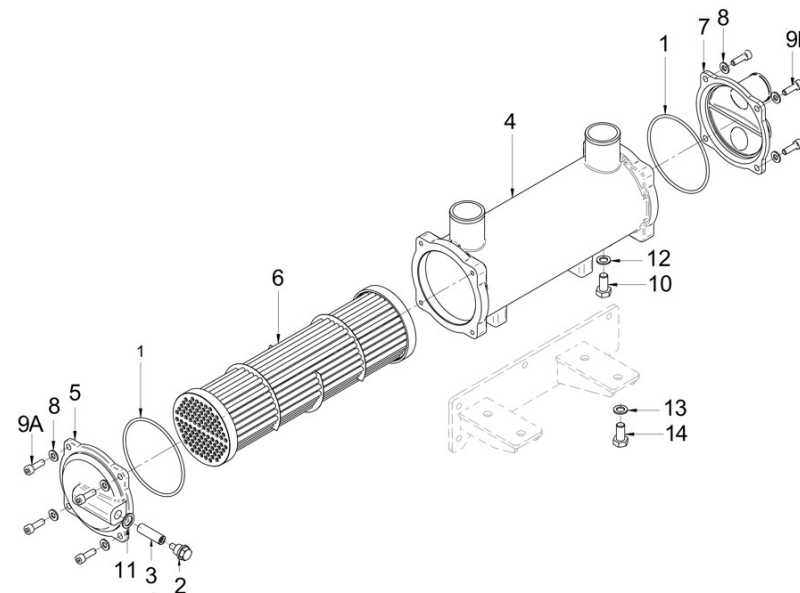
D_GJ01_3_3 Wet Exhaust

Fig.	Ref.	Qty.	Descr.	Obs	From	UpTo
1	19413016	1	Elbow, WET Exhaust			
2	19411028	4	Stud			
3	16513016	1	Exhaust Elbow Gasket			
4	52103256	4	Bolt DIN 912 M8-16 8.8			
5	19413014	1	Adaptor			
6	19413013	1	Gasket			
7	51125008	4	Nut Exhaust			
8	16511009	1	Elbow			



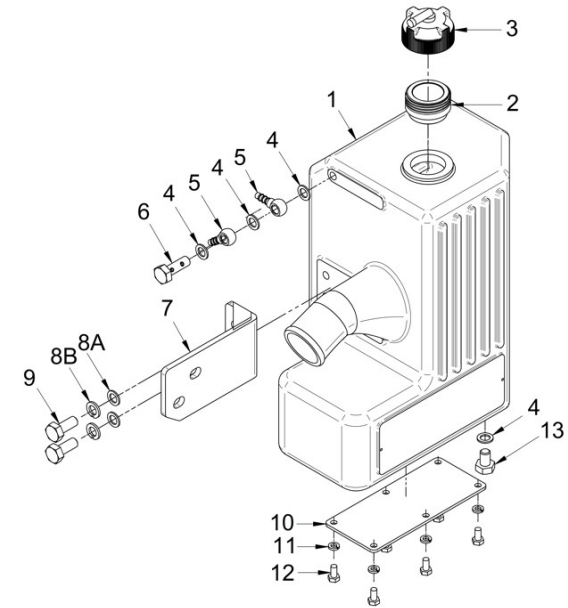
D_19411000R Water Cooler Assy SDZ-165/205/280

Fig.	Ref.	Qty.	Descr.	Obs	From	UpTo
1	16711007	2	O-Ring D. 116X4			
2	18011009	1	Anode Plug			
3	18011031	1	Engine Anode 45 mm M.8			
4	19411001	1	Body, Water Cooler			
5	19411003	1	Water Cooler Cover			
6	19411004	1	Tubular Bundle			
7	19411006	1	Water Cooler Cover			
8	51030008	8	Washer DIN 125-8			
9A	52103257	7	Bolt DIN 912 M8-20 8.8			
9B	52103258	1	Bolt DIN 912 M8-25 8.8			
10	54102356	1	Bolt DIN 933 M12-16 INOX.			
11	56000073	1	Copper Washer 16-23-1,5			
12	56000115	1	Washer 12-20-2			
13	53033010	4	Washer GROWER DIN 127-10			
14	52102307	4	Bolt DIN 933 M10-20 8.8			



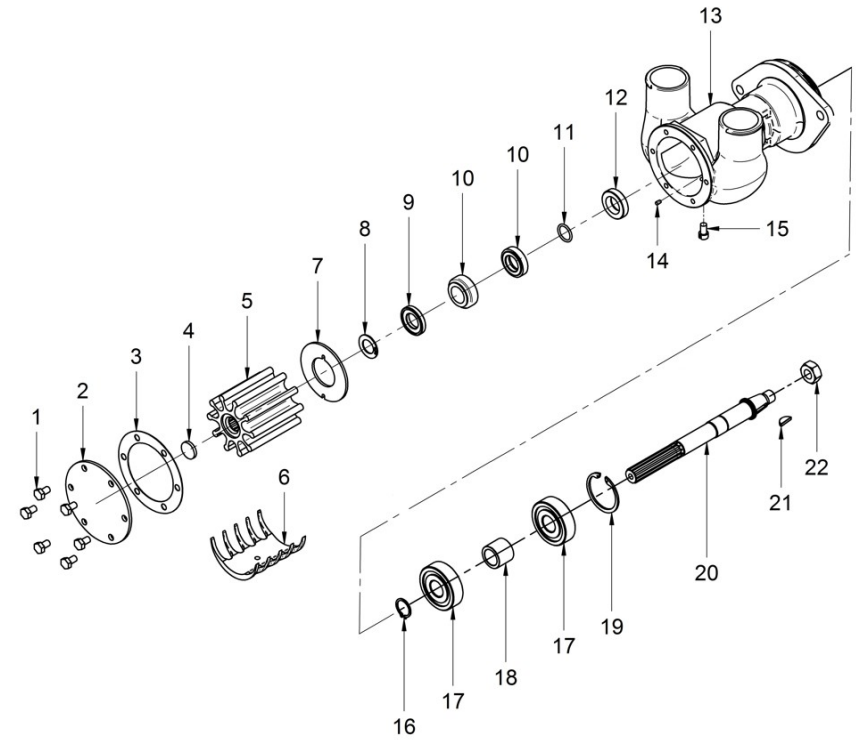
19411009 Expansion Tank

Fig.	Ref.	Qty.	Descr.	Obs	From	UpTo
1	19411009.1	1	Expansion Tank, Body			
2	17411004	1	Adapter, MTA Cap			
3	13811010	1	Cap			
4	56000061	4	Washer 10-16-1,5			
5	17614016	2	COLLAR,Union			
6	19411040	1	1/8" GAS HOLLOW Screw			
7	19411009.2	1	Bracket			
8A	51030010	2	Washer DIN 125-10			
8B	53033010	2	Washer GROWER DIN 127-10			
9	52102307	2	Bolt DIN 933 M10-20 8.8			
10	18211002	1	Cover			
11	53033006	6	Washer GROWER DIN 127-6			
12	52102155	6	Bolt DIN 933 M6-12 8.8			
13	52102306	1	Bolt DIN 933 M10-15 8.8			

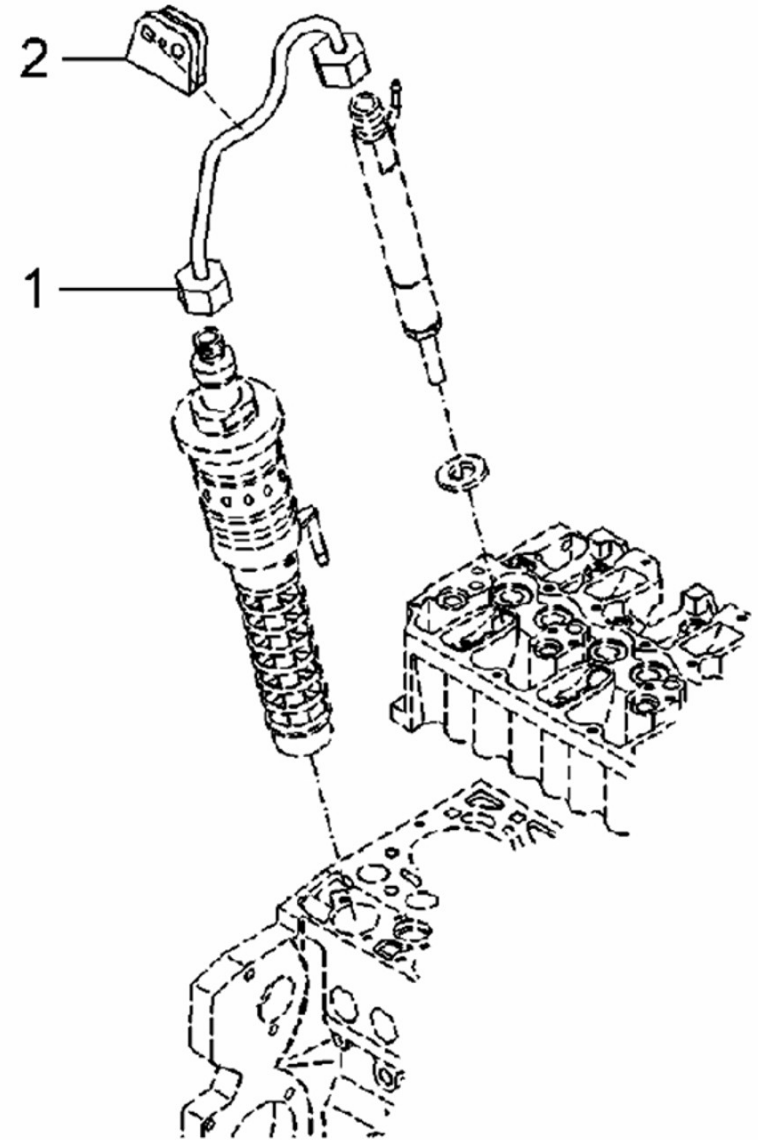


39411000 Key Pump SDZ-165/205/280 Gr-109/165

Fig.	Ref.	Qty.	Descr.	Obs	From	UpTo
1	54102154	6	Bolt DIN 933 M6-10 INOX			
2	34711002	1	Cover Pump			
3	34711003	1	Gasket Cover			
4	34711041	1	Impeller Plug			
5	39411008	1	1" L.68 Impeller			
6	39411005	1	Cam			
7	34711026	1	Plate,Friction			
8	54040016	1	CIRClip E-16			
9	36511018	1	Washer,seal			
10	36511019	1	Seal			
11	33311013	1	O-Ring D. 15X2			
12	36511020	1	Seal 16-30-7			
13	39411001	1	Body,Water Pump			
14	36511017	1	Pin,Dowel			
15	54108154	1	Bolt DIN 84 M6-10			
16	53040017	1	Circlip DIN 471 E-17			
17	18017083	2	Ball Bearing 6303-RDD			
18	39411015	1	Separator Bearings			
19	53041047	1	CIRClip DIN 472 I-47			
20	39411010	1	Shaft			
21	35111035	1	KEY DIN 6888 3-6,5-16 INOX			
22	54121012	1	Nut DIN 439 M12			

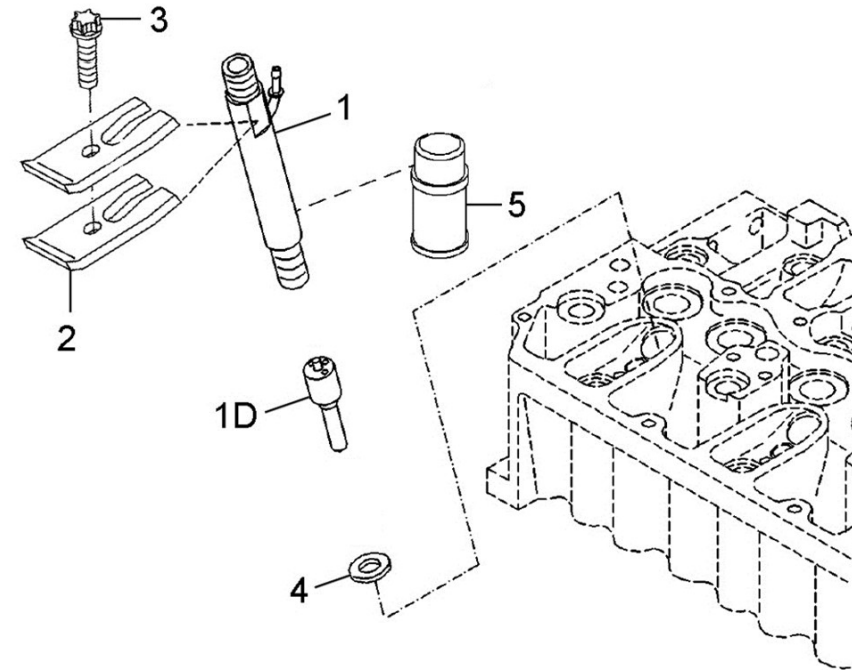


D_GJ01_4_1		Fuel Pipe				
Fig.	Ref.	Qty.	Descr.	Obs	From	UpTo
1	19424052	4	Pipe Injection			
2	19421018	4	Rubber Seal			



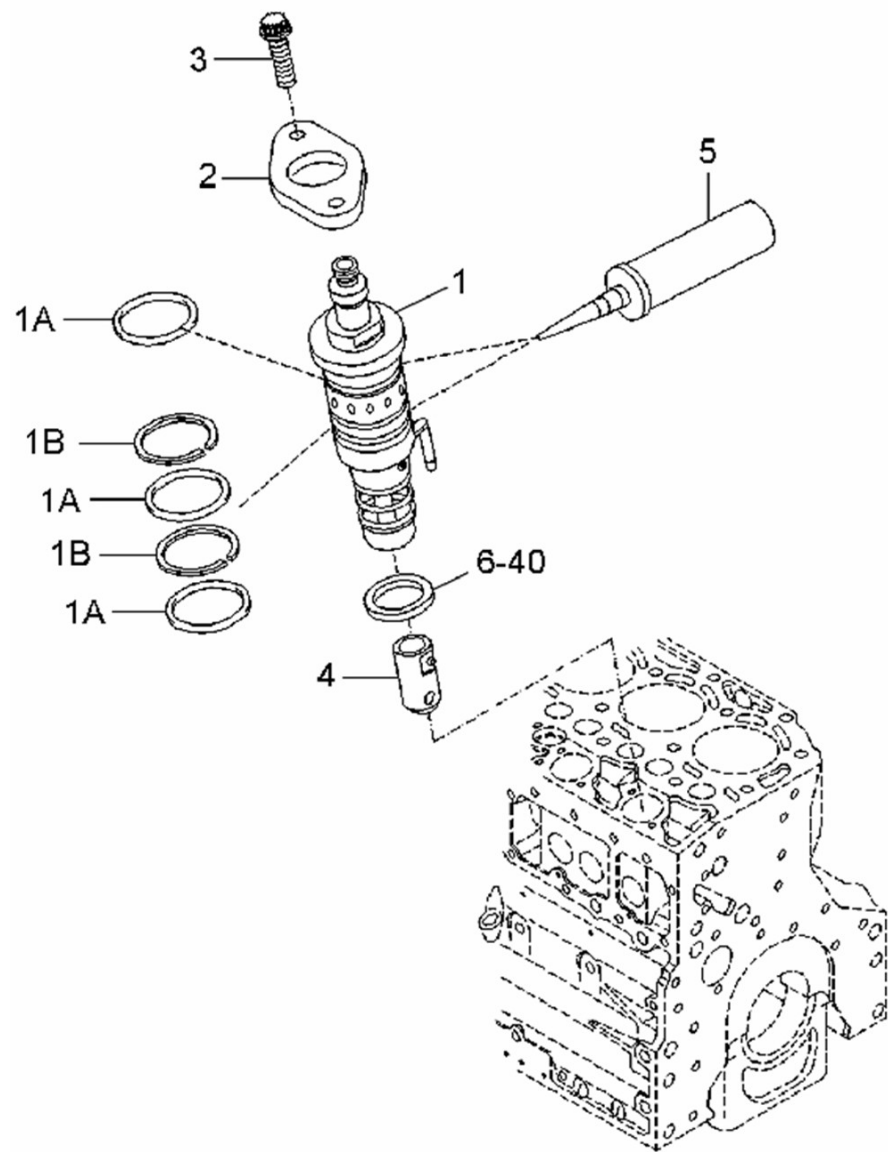
D_GJ01_4_2 Injection Nozzle

Fig.	Ref.	Qty.	Descr.	Obs	From	UpTo
1	19426001G	4	Fuel Injector			
1D	19426018G.1	4	Nozzle Element			
2	19426010	8	Flange			
3	19426011	4	Bolt			
4	19426012	4	Sealing Ring			
5	19426013	4	ANTI-RUST AGENT			



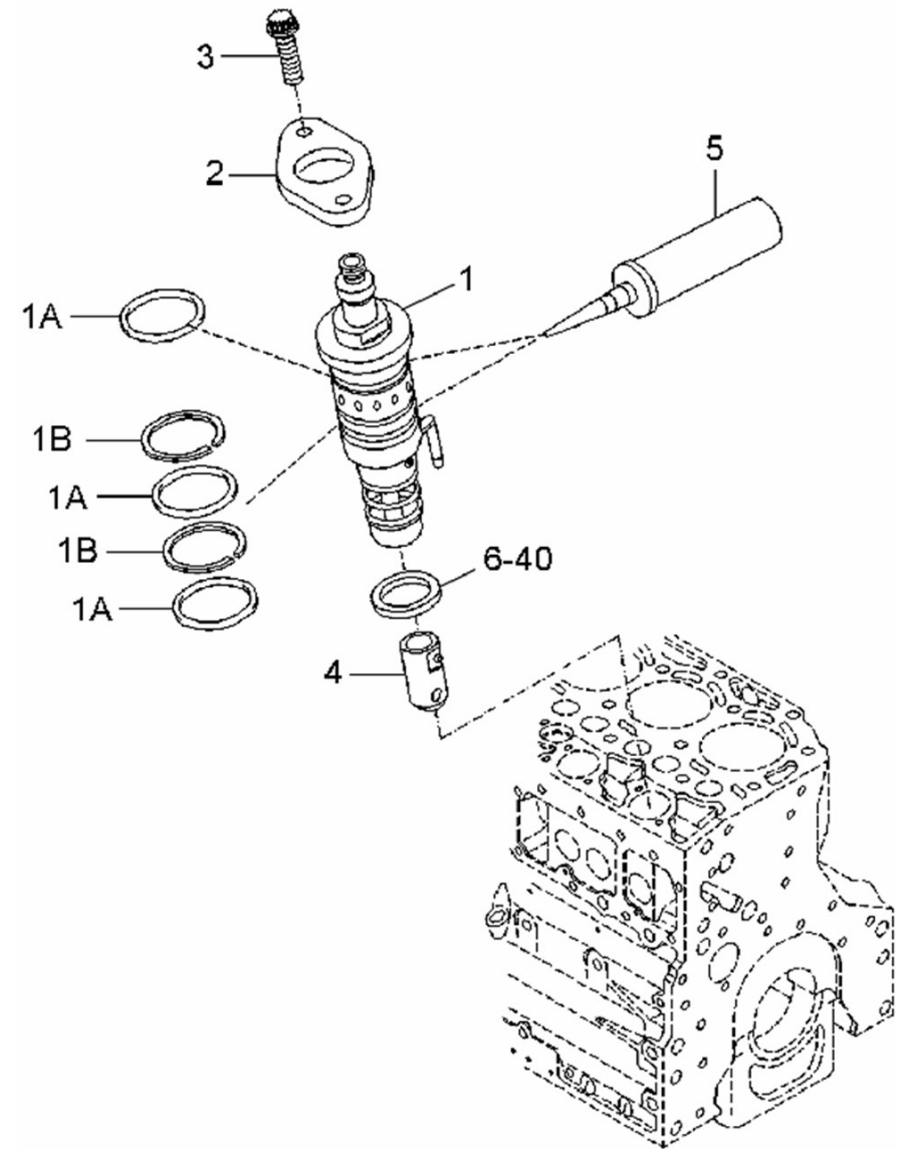
D_GJ01_4_3 Fuel Injection Pump

Fig.	Ref.	Qty.	Descr.	Obs	From	UpTo
1	19425001G	4	Pump Assy,Fuel Injection			
1A	19425002	12	O-Ring D. 40X3,5			
1B	19425003	8	Shim			
2	19420110	4	Flange			
3	19420111	8	COLLAR Screw			
4	19420090	4	Roller Tappet			
5	19420113	1	Lubricant			
6	19420112	0	Washer 1,0mm	#		
7	19420114	0	Washer 1,1mm	#		
8	19420115	0	Washer 1,2mm	#		
9	19420116	0	Washer 1,3mm	#		
10	19420117	0	Washer 1,4mm	#		
11	19420118	0	Washer 1,5mm	#		
12	19420119	0	Washer 1,6mm	#		
13	19420120	0	Washer 1,7mm	#		
14	19420121	0	Washer 1,8mm	#		
15	19420122	0	Washer 1,9mm	#		
16	19420123	0	Washer 2,0mm	#		
17	19420124	0	Washer 2,1mm	#		
18	19420125	0	Washer 2,2mm	#		
19	19420126	0	Washer 2,3mm	#		
20	19420127	0	Washer 2,4mm	#		
21	19420128	0	Washer 2,5mm	#		
22	19420129	0	Washer 2,6mm	#		
23	19420130	0	Washer 2,7mm	#		
24	19420131	0	Washer 2,8mm	#		
25	19420132	0	Washer 2,9mm	#		
26	19420133	0	Washer 3,0mm	#		
27	19420134	0	Washer 3,1mm	#		
28	19420135	0	Washer 3,2mm	#		
29	19420136	0	Washer 3,3mm	#		



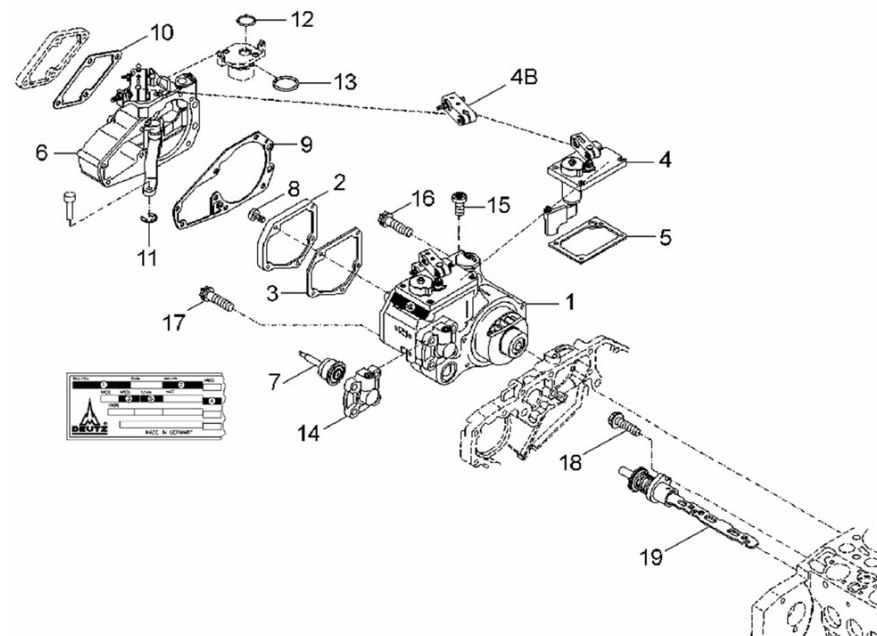
D_GJ01_4_3 Fuel Injection Pump

Fig.	Ref.	Qty.	Descr.	Obs	From	UpTo
30	19420137	0	Washer 3,4mm	#		
31	19420138	0	Washer 3,5mm	#		
32	19420139	0	Washer 3,6mm	#		
33	19420140	0	Washer 3,7mm	#		
34	19420141	0	Washer 3,8mm	#		
35	19420142	0	Washer 3,9mm	#		
36	19420143	0	Washer 4,0mm	#		
37	19420144	0	Washer 4,1mm	#		
38	19420145	0	Washer 4,2mm	#		
39	19420146	0	Washer 4,3mm	#		
40	19420147	0	Washer 4,4mm	#		



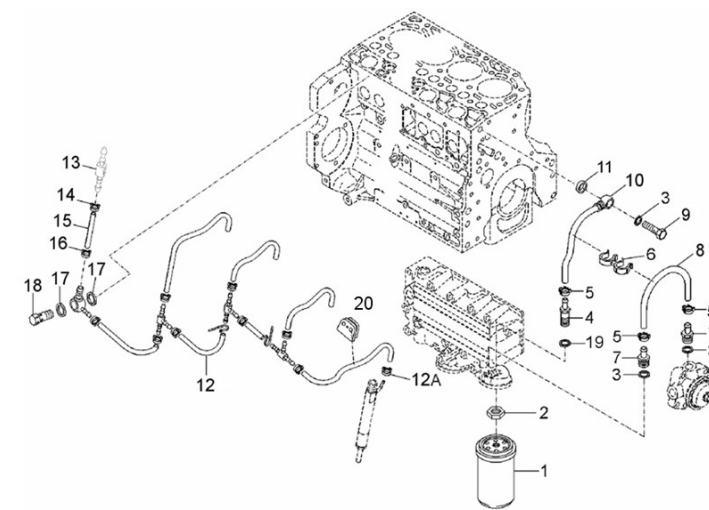
D_GJ01_4_4 Governor Parts

Fig.	Ref.	Qty.	Descr.	Obs	From	UpTo
1A	19423000G	1	Controller 1500 RPM			
1B	19423000G.2.18	1	Controller 1800 RPM			
2	19423001	1	HOOD			
3	19423002	1	Gasket			
4	19423003.1	1	Governor Cover			
4B	19423006	2	Lever/ARM			
5	19423004	1	Gasket			
6	19423005	1	Cover			
7	19423007	1	DIAPHRAGM			
8	19423008	1	RETAINING Washer			
9	19423009	1	Gasket			
10	19423010	1	Gasket			
11	19423011	1	RETAINING Washer			
12	19423012	1	Ring			
13	19423014	1	Ring			
14	19423015	1	Cover			
15	19423017	1	LOCKING Screw			
16	19421082	4	Bolt			
17	19421083	1	Bolt			
18	19423026	1	HEXAGON Bolt			
19	19423025	1	Control ROD			



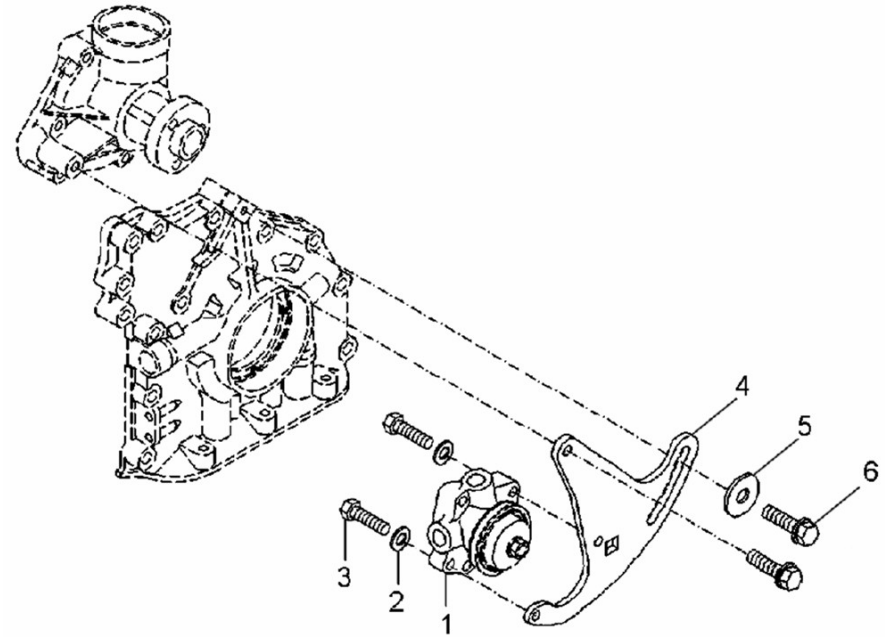
D_GJ01_4_5 Fuel Filter

Fig.	Ref.	Qty.	Descr.	Obs	From	UpTo
1	19424022.1	1	Fuel Filter Element Deutz			
2	19424065	1	HEXAGON Nut			
3	19420059G	3	SealING Ring			
4	19424057.1	2	Hose Sleeve			
5	19424058.1	3	Clamp			
6	19424059.1	1	Hose Retanier			
7	19424049.1	1	Nipple			
8	19424061.2	1	Fuel Pipe			
9	12814051	1	Screw,eye			
10	19424060.2	1	Fuel Line			04/12/2019
11	19424062	1	SealING Ring			
12	19424071.1	1	Overflow Line			
12A	19424074G	4	Hose Clip			
13	19424001	1	Valve Assy			
14	51086018	1	ONE EAR Clamp With INTERIOR Ring 16-18,3			
15	19414003.1	1	Rubber Pipe			
16	51086017	1	ONE EAR Clamp With INTERIOR Ring 15-17,3			
17	19420064	3	SealING Ring			
18	19424053	1	Valve Assy			
19	19420060G	1	Sealing Ring			
20	19421018	1	Rubber Seal			
NS	19424067.1	1	Corrugated Tube			



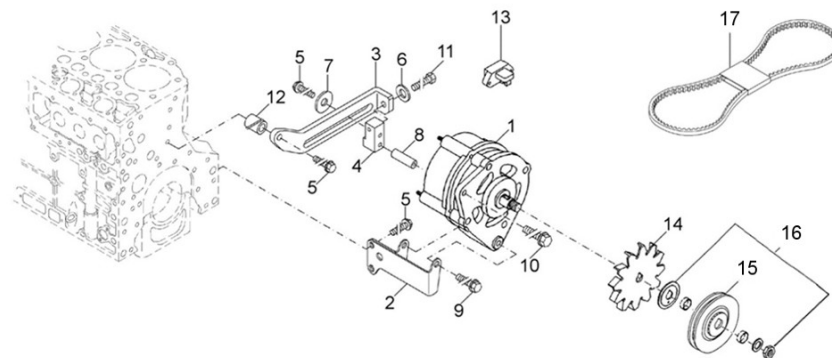
D_GJ01_4_6 Feed Pump

Fig.	Ref.	Qty.	Descr.	Obs	From	UpTo
1	19424040G	1	Fuel Pump			
2	19424043	2	Spring Washer			
3	52103258	2	Bolt DIN 912 M8-25 8.8			
4	19424041.1	1	Clamping Strap			
5	19424047.1	1	Plain Washer			
6	19424006	2	HEXAGON Bolt			



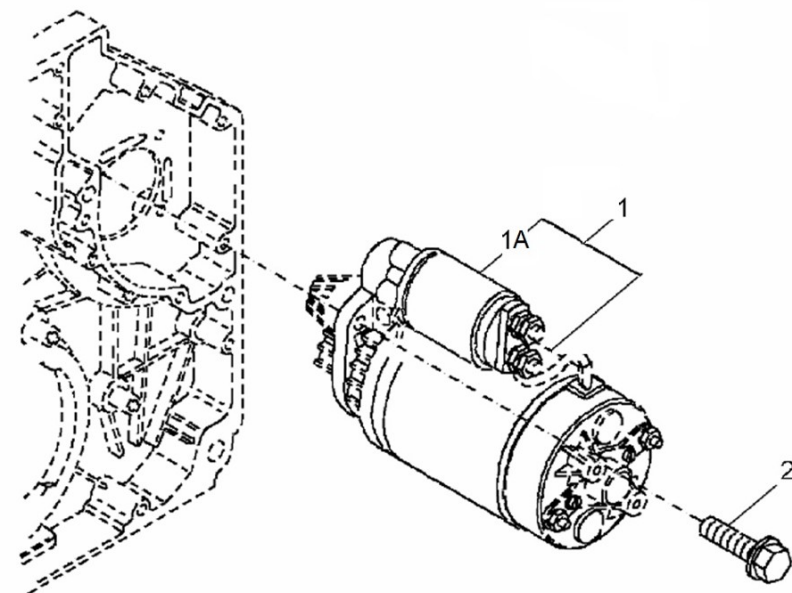
D_GJ01_5_1 Kit Alternator 24V/55A

Fig.	Ref.	Qty.	Descr.	Obs	From	UpTo
1	19427010G	1	Alternator 24V/35A			05/12/2016
1	19427010GP.2	1	Alternator 24V/35A With Pulley		06/12/2016	
2	19427002G.1	1	Bracket, Alternator			
3	19427007G.2	1	Clamping Strap			
4	19427008G.1	1	Threaded Piece			
5	19424006	1	HEXAGON Bolt			
6	19428007	1	Plain Washer			04/12/2019
7	19424047.1	1	Plain Washer			
8	19427026	1	Bush			
9	19422053	1	HEXAGON Bolt			
10	19428006	1	Screw			
11	19427013	1	HEXAGON Bolt			04/12/2019
12	19427027	1	Bush			
13	19427016G.2	1	Volatge Regulator			
14	19427015.1	1	Fan			04/12/2019
15	19427052G.2	1	Pulley			
16	19427018.1	1	Fastenings			
17	17017025	1	Belt Type SPZX 1012			



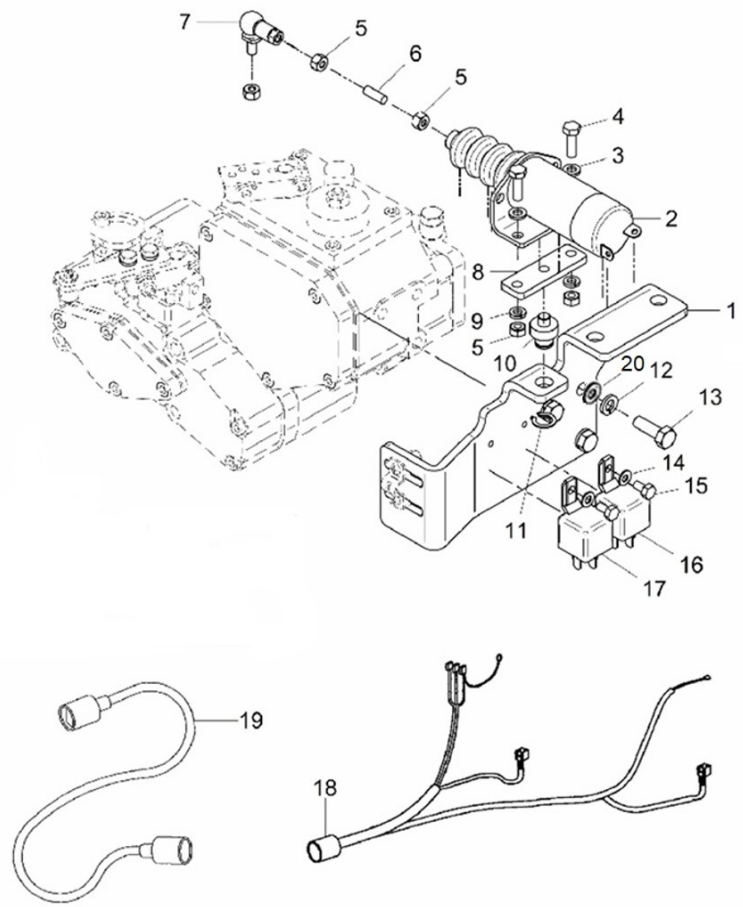
D_GJ01_5_3 Starter

Fig.	Ref.	Qty.	Descr.	Obs	From	UpTo
1	19427001G	1	Starter Assy 24 V			
1A	19427106G	1	SWITCH Assy			
2	19427020.1	3	Bolt			



D_GJ01_5_5 24V Electrical Wiring

Fig.	Ref.	Qty.	Descr.	Obs	From	UpTo
1	19419001	1	Bracket,Engine Control			
2	19424025	1	Solenoid 24V ETS			
3	51030006	2	Washer DIN 125-6			
4	52102157	2	Bolt DIN 933 M6-20 8.8			
5	52120006	4	Nut DIN 934 M6 8.8			
6	52111163	1	ROD DIN 913 M6-50 8.8			
7	19419003.1	1	Mechanical Bearing			
8	19419005	1	Bracket			
9	53033006	2	Washer GROWER DIN 127-6			
10	19419006	1	Shaft			
11	53040012	1	CIRClip DIN 471 E-12			
12	53033008	3	Washer GROWER DIN 127-8			
13	52102257	3	Bolt DIN 933 M8-20 8.8			
14	51030005	2	Washer DIN 125-5			
15	54102103	2	Bolt DIN 933 M5-8 INOX.			
16	17417005.1	1	Relay 24V 24-22A			
17	19017005	1	Relay 24V 24/22A			
18	60994201.1G	1	SD109/165 Electrical Wiring Genset			
19A	60938210I	1	Genset Wiring Ext. 3 M. CPC			
19B	60985210I	1	Genset Wiring Ext. 4 M. CPC			
19C	60985210.12I	1	Genset Wiring Ext. 12 M. CPC			
19D	60985210.24I	1	Genset Wiring Ext. 24 M. CPC			
20	51030008	3	Washer DIN 125-8			
NS	60900028	1	Diode 25A. DS-1712A			



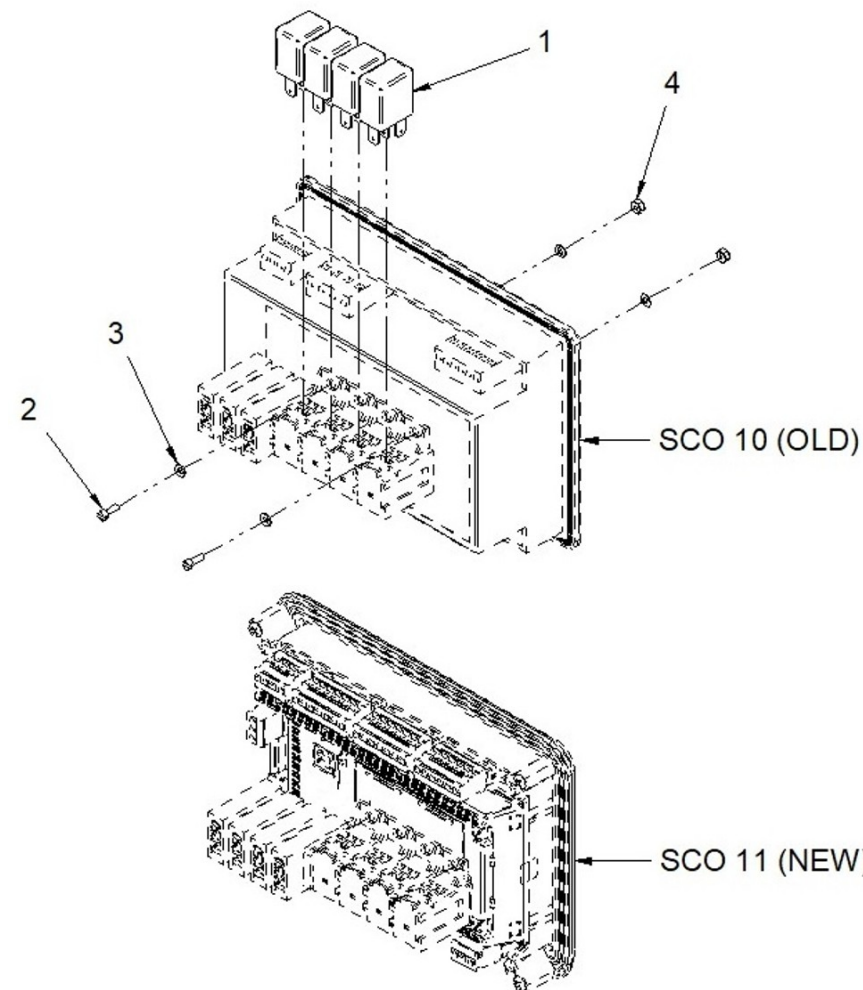
D_SDZ109GTST_05_5 Panels for Genset

Fig.	Ref.	Qty.	Descr.	Obs	From	UpTo
1A	62994240ST	1	Panel SCO 11 100 GTA ETS 24V 240V			
1B	62994400S.18	1	Panel SCO 11 100 GTAC 24V 480/277V			
1C	62994230ST	1	Panel SCO 11 85 GTC ETS 24V 230V			
1D	62994400S	1	Panel SCO 11 85 GTC ETS 24V 400/230V			



D_PANELGRUPO1_01 Spare Parts List for Generator Panel

Fig.	Ref.	Qty.	Descr.	Obs	From	UpTo
1A	60900091	4	MICRO Relay 12V 12-20			
Figure A for 12V System						
1B	60900092	4	MICRO Relay 24V 24-10			
Figure b for 24V System						
2	54108003	2	Bolt DIN 84 M3-8 INOX.			
3	51030003	4	Washer DIN 125-3			
4	52120003	2	Nut DIN 934 M3 8.8			
NS	60972106	1	System Back Panel			
NS	60972124	1	SCO 10 Panel Screw Bracket			
NS	62900001	1	Rail Guide For Modular Micro Relay Holder - Fusible		31/03/2023	
NS	62972123	1	Electrical System Back Panel SCO 11			
NS	62972124	1	SCO 11 Pamel Screw Bracket			



D_W1C1_1_1		Genset Extension				
Fig.	Ref.	Qty.	Descr.	Obs	From	UpTo
1A	60938210I	1	Genset Wiring Ext. 3 M. CPC			
1B	60985210I	1	Genset Wiring Ext. 4 M. CPC			
1C	60938221	1	Genset Wiring Ext. 6 M. CPC			
1D	60938212	1	Genset Wiring Ext. 8 M. CPC			
1E	60985210.12I	1	Genset Wiring Ext. 12 M. CPC			
1F	60985210.18I	1	Genset Wiring Ext. 18 M. CPC			
1G	60985210.24I	1	Genset Wiring Ext. 24 M. CPC			
1H	60985210.30I	1	Genset Wiring Ext. 30 M. CPC			
1I	60974552	1	3-way Wiring Wxtension for Auxiliary Kits 4 m			
1J	60900165	1	3-way Wiring Extension for Auxiliary Kits 6 m			
1K	60900166	1	3-way Wiring Extension for Auxiliary Kits 12 m			
1L	60900167	1	3-way Wiring Extension for Auxiliary Kits 24 m			
1M	60972104	1	Double Panel SCO 12 M. Harness			
1N	60972105	1	Double Panel SCO 24 M. Harness			
1O	60972110	1	Double Panel SCO 36 M. Harness			
1P	60972145	1	Double Panel SCO 45 M. Harness			



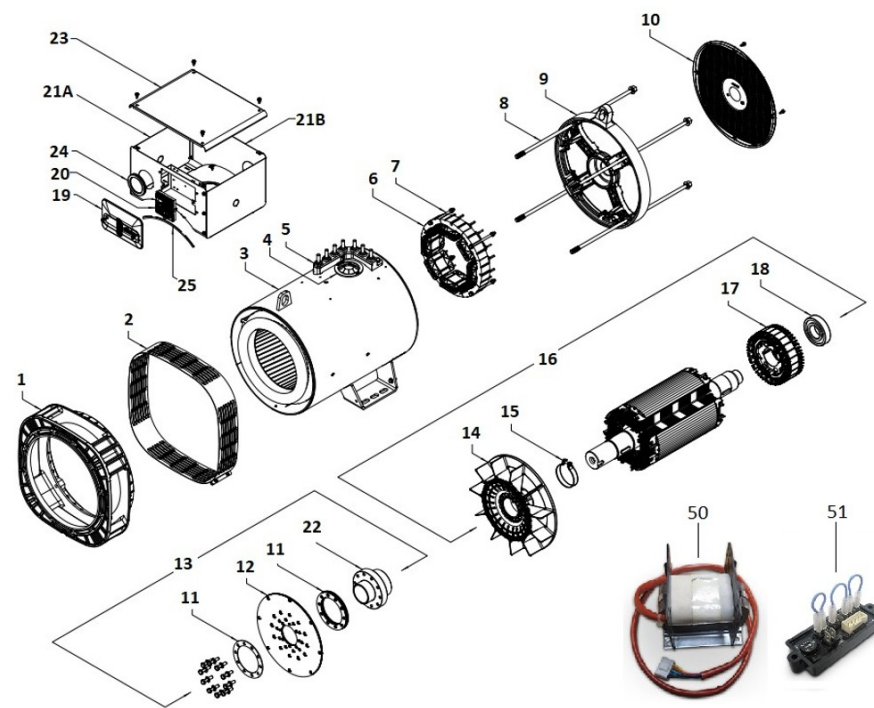
D_SDZ109GTST_06_1 Alternators 85 GT/GTC and 100 GTA/GTAC

Fig.	Ref.	Qty.	Descr.	Obs	From	UpTo
1A	605123105ZI3R	1	Alt.MECC.ALTE III 105 KVA 480/277V C-TYPE (R)			
1B	605123105ZI4R	1	Alt.MECC.ALTE III 105 KVA 240V C-TYPE (R)			
1C	605113087ZI0R	1	Alt.MECC.ALTE III 87,5KVA 400/230V C-TYPE SAE2 (R)			
1D	605113087ZI2R	1	Alt.MECC.ALTE III 87,5 KVA 230V C-TYPE (R)			
1E	605123102ZI4RSTC	1	Subst. Alt. MECC. Type B For Type C III 102KVA 1800			
1F	605123102ZI3RSTC	1	Subst. Alt. MECC. Type B For C III 102KVA 1800 480/2			
1G	605113085ZI3RSTC	1	Subst. Alt. MECC. Type B For Type C III 85KVA 1500 4			
1H	605113085ZI4RSTC	1	Subst. Alt. MECC. Type B For Type C III 85KVA 1500 2			
1I	605123102ZI4RCTC	1	Subst. Alt. MECC. Type B For Type C III 102KVA 1800			
1J	605123102ZI3RCTC	1	Subst. Alt. MECC. Type B For Type C III 102KVA 1800			
1K	605113085ZI3RCTC	1	Subst. Alt. MECC. Type B For Type C III 85KVA 1500 4			
1L	605113085ZI4RCTC	1	Subst. Alt. MECC. Type B For Type C III 85KVA 1500 2			



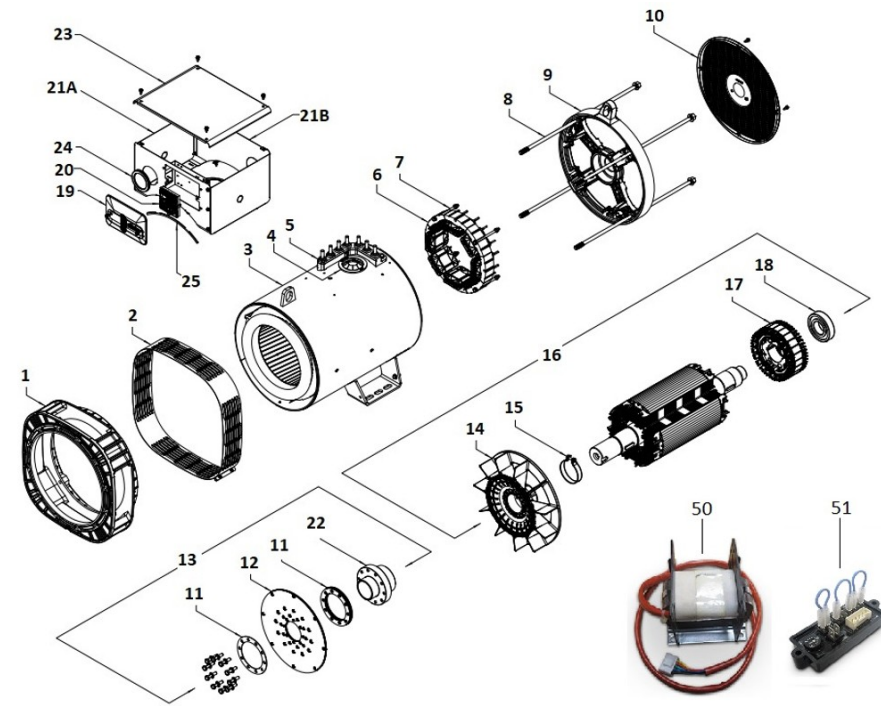
D_605113087Z10 Spare Part List Alternator Type C 85GT Y 100 GTA

Fig.	Ref.	Qty.	Descr.	Obs	From	UpTo
1	605113125ZI.1	1	Drive end Bracket			
2	605113125ZI.2	1	Protection Screen			
3	605113087ZI.1	1	Frame and Stator			
4	605113130Z3.19	1	Cable Grommet, 90mm Hole			
5	605113125ZI.4	1	Terminal Board 7 pin M12			
6	605113085Z5.5	1	Exciter Stator H-55 8P - S/L			02/2020
6	605113125ZI.5	1	Exciter Stator H-45 8P		02/2020	
7	605113125ZI.6	1	Exciter Stay Bolt			02/2020
7	605113130Z3.24	1	Exciter Stay Bolt		02/2020	
8	605113087ZI.2	1	Cover Stay Bolt			
9	605113125ZI.8	1	Aluminum non Drive end Bracket			
10	605113125ZI.9	1	Rear Seal			
11	605113085Z5.16	1	Disc Locking Ring			
12	605113085Z5.13	1	Disc Plates SAE 11,5			
13	605113125ZI.10	1	Kit Coupling Disc Plates SAE 11,5		05/2020	
13	605113125ZI.11	1	Kit Coupling Disc Plates SAE 11,5		05/2020	
14	605113125ZI.12	1	Plastic Fan			
15	605113125ZI.13	1	Clamp 95x22			
16	605113087ZI.3	1	Rotor Assy			
17	605113125ZI.15	1	Exciter Armature, H-55 (+ Diodes), 78.5mm Hole			02/2020
17	605113125ZI.16	1	Exciter Armature, H-45 (+ diodes), 78.5mm Hole		02/2020	
18	605113085Z5.9	1	Rear Bearing 6311-2RS C3			
19	M9909505310	1	Regulator Cap			
20	60500023.1	1	Electronic Regulator DSR			
21A	605113125ZI.17	1	Side Panel for AVR			
21B	605113125ZI.18	1	Closed Side Panel			
22	605113085Z5.12	1	Coupling Hub SAE 10 - 11,5 - 14			05/2020
22	605113125ZI.21	1	Coupling Hub		05/2020	
23	605113125ZI.19	1	Terminal Box Lid			
24	605113125ZI.20	1	Cable Grommet			
25	605113050Z4.8	1	PVC Rubber Profile			



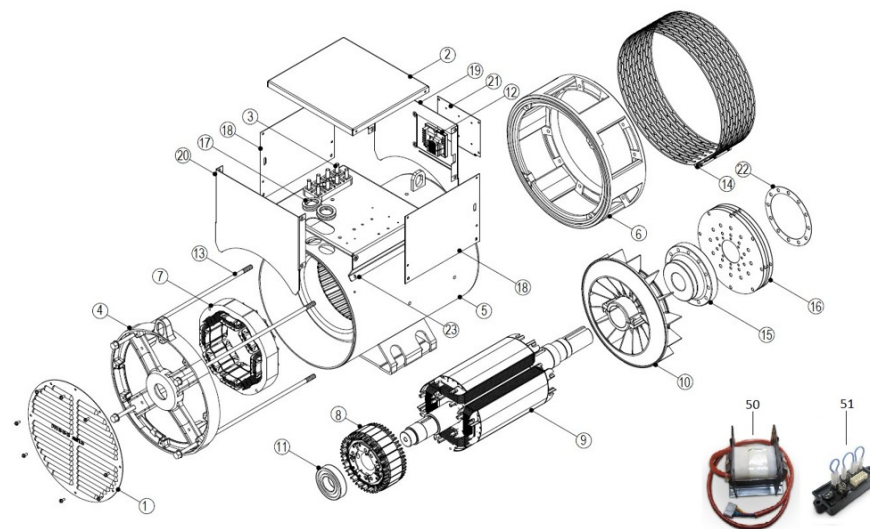
D_605113087Z10 Spare Part List Alternator Type C 85GT Y 100 GTA

Fig.	Ref.	Qty.	Descr.	Obs	From	UpTo
50	60511386P	1	PD500 Parallel Device			
51	60511387P	1	PD-I Parallel Device			
NS	605113050Z4.25	1	Kit USB2DxR			
NS	605113125Z10.22	1	Kit terminal box (19+21+22+23+24+25)			
NS	605113125Z10.23	1	Cable assembly + varistor + capacitor for rotating b			
NS	605113125Z10.24	1	Cable Assembly + Varistor + Capacitor for Rotating B			



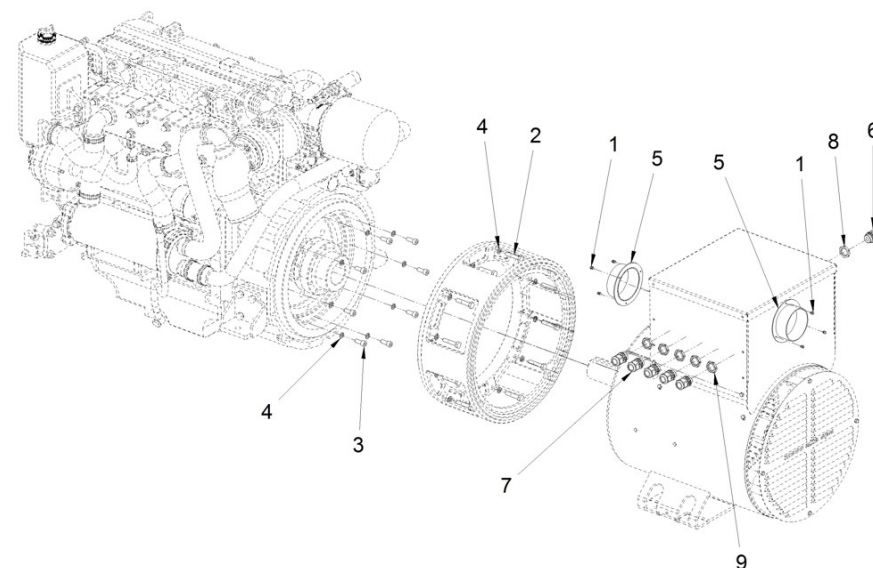
D_605113085Z3 Spare Part List Alternator Type B 85GT Y 100 GTA UP TO 29/12/2021

Fig.	Ref.	Qty.	Descr.	Obs	From	UpTo
1	60511385.1	1	Rear Seal			
2	605113085Z3.2	1	Terminal Box Lid			
3	605113085Z3.8	1	Terminal Board 8 pin			
4	605113085Z3.9	1	Non Crive end Bracket			
5	605113085Z3.10	1	Frame and Stator 1S			
6	605113085Z3.11	1	Drive end Bracket MD 35/2			
7	605113085Z3.12	1	Exciter Stator H-55 8P - S/L			
8	605113085Z3.13	1	Exciter Armature H-55 8P + Diodes T30			
9	605113085Z3.14	1	Rotor Assy 1S MD35-B14			
10	605113085Z3.15	1	Fan			
11	605113085Z3.16	1	Rear Bearing 6311-2RS C3			
12	60500023.1	1	Electronic Regulator DSR			
13	605113085Z3.17	4	Cover Stay Bolt 34-S			
14	605113085Z3.18	1	Protection Screen MD35			
15	605113085Z3.19	1	Coupling Hub SAE 10 - 11,5 - 14			
16	605113085Z3.20	1	Disc Plates SAE 11,5			
17	605113085Z3.21	2	Cable Grommet			
18	605113085Z3.5	2	Termin. Brd. Side Panels			
19	605113085Z3.3	1	Termin. Brd. Front Panel + Loophole			
20	605113085Z3.4	1	Termin. Brd. Rear Panel			
21	605113085Z3.22	1	Regulator Carrying Panel x Loophole			
22	605113085Z3.23	1	Disc Locking Ring			
23	605113085Z3.24	1	Component Holding Panel			
50	60511386P	1	PD500 Parallel Device			
51	60511387P	1	PD-I Parallel Device			
NS	605113085Z3.6	1	Sector for Rotating Bridge T 30			
NS	605113085Z3.7	1	DI1 for DSR/DER1 + Cable DI1/Reg.			



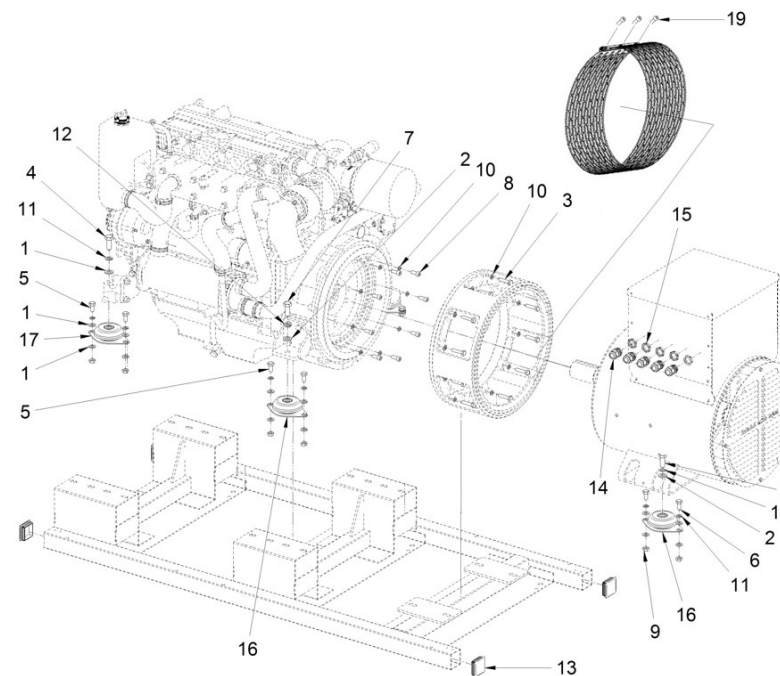
60594063 Kit Alt. MECC ALTE Tri. (C)

Fig.	Ref.	Qty.	Descr.	Obs	From	UpTo
1	51058054	6	Aluminium Rivet 4.0 X 10			
2	52101311	12	Bolt DIN 931 M10-40 8.8			
3	52103308	8	Bolt DIN 912 M10-25 8.8			
4	53033010	20	Washer GROWER DIN 127-10			
5	60594042.64	2	Air TUBING D100			
6	60900304	1	Coneector Press PA Grey IP68 M16			
7	60900306	5	Connector Press CAPTOR-2000 M25 RAL7001			
8	60900307	1	Screw Connector Press PA Grey IP68 M16			
9	60900309	5	Screw Connector Press Captor-2000 M25			
NS	58088285	4	Pastic Cable Zip Tie			
NS	60900510	1	Emergency Stop PUSH BOTTOM			
NS	60900512	1	Stop PUSH BOTTOM Body			
NS	60900517	1	Cover,wiring			
NS	60974075.1	1	Fan Installation			
NS	60974077	1	Kit Fan Installation			
NS	60994072G	1	W Breaker GRAY TO SYStem ALT. 760mm			
NS	60994072M	1	V Breaker BROWN TO SYStem ALT. 760mm			
NS	60994072N	1	U Breaker BLACK TO SYStem ALT. 760mm			
NS	TP.1.L.14	3	Hollow Toe Terminal Section 1 Length 14			



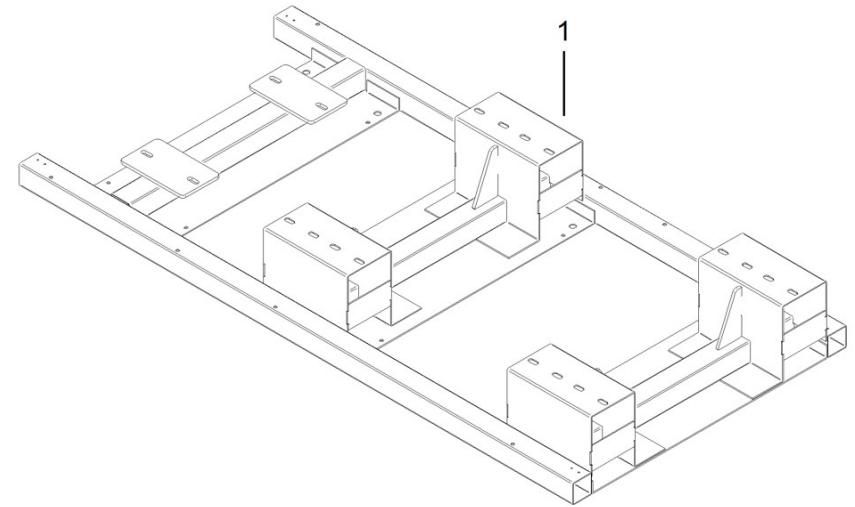
60594100.1 Kit Alt. MECC ALTE Tri. (S)

Fig.	Ref.	Qty.	Descr.	Obs	From	UpTo
1	51030012	26	Washer DIN 125-12			
2	51030016	4	Washer DIN 125-16			
3	52101312	12	Bolt DIN 931 M10-45 8.8			
4	52101373	2	Bolt DIN 931 M12-100 8.8			
5	52102358	8	Bolt DIN 933 M12-25 8.8			
6	52102359	12	Bolt DIN 933 M12-30 8.8			
7	52102461	4	Bolt DIN 933 M16-40 8.8			
8	52103308	8	Bolt DIN 912 M10-25 8.8			
9	52120012	12	Nut DIN 934 M12 8.8			
10	53033010	20	Washer GROWER DIN 127-10			
11	53033012	14	Washer Grower DIN 127-12			
12	53033016C	4	Washer			
13	60539019	4	LID (60 Tube)			
14	60900306	5	Connector Press CAPTOR-2000 M25 RAL7001			
15	60900309	5	Screw Connector Press Captor-2000 M25			
16	61674001	4	Engine Mount Type F 40 SHA M16 H 41			
16	61674004	4	Engine Mount Type F BRB 110 B50 SHA M16 H 41		14/04/2023	
17	61674002	2	Engine Mount Type F 35 SHA M12 H 41			
17	61674005	2	Engine Mount Type F BRB 110 B50 SHA M12 H 41		14/04/2023	
18	52102360	4	Bolt DIN 933 M12-35 8.8			
19	52102110	3	Bolt DIN 933 M5-30 8.8 CINCADO			
NS	51031012	2	Washer DIN 9021 12			
NS	61673110	2	Shim 10mm, Silentblock Type D/Hyundai			



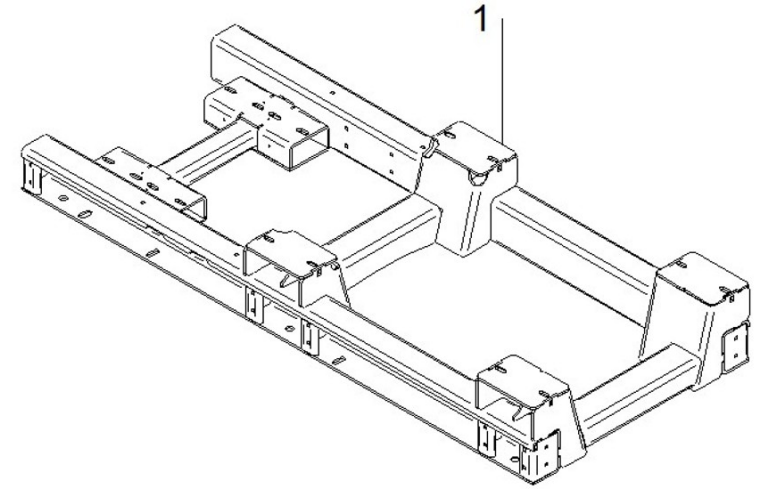
D_60594042.1 Genset Chassis

Fig.	Ref.	Qty.	Descr.	Obs	From	UpTo
1	60594042.1	1	Genset CHASSIS		05/04/2017	06/09/2023



D_60594035 Chassis

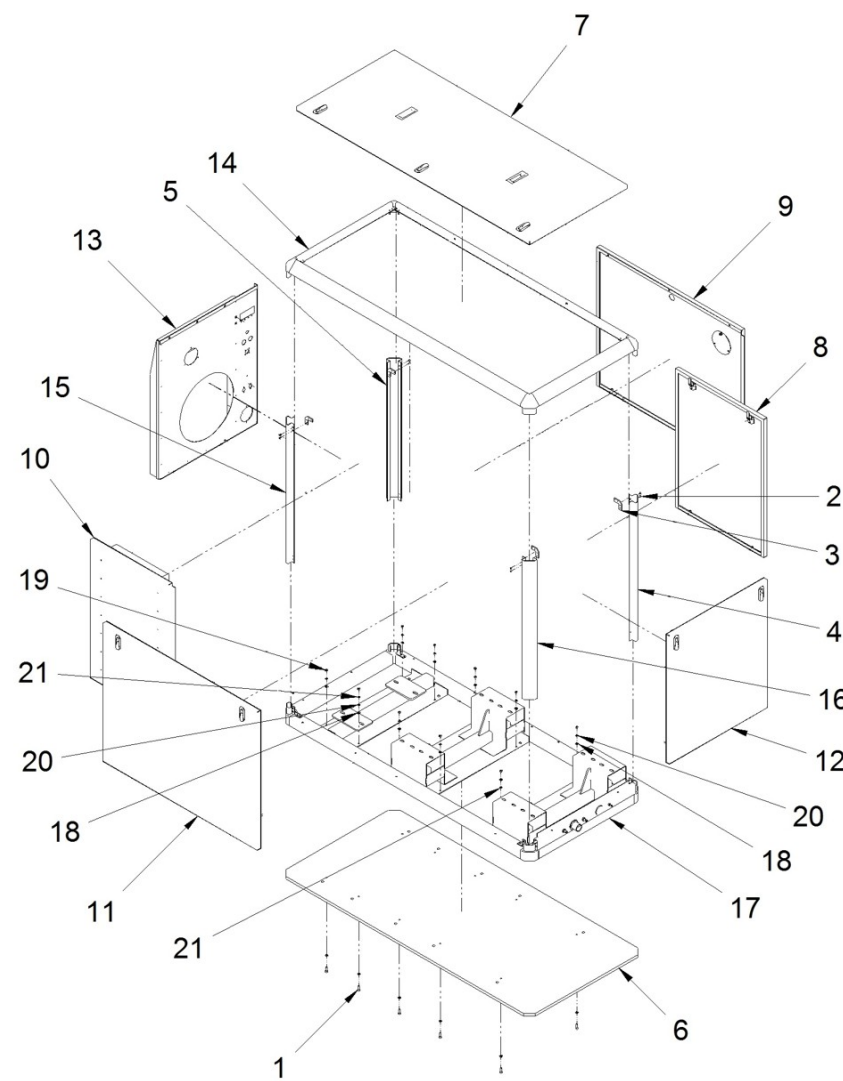
Fig.	Ref.	Qty.	Descr.	Obs	From	UpTo
1	60594035	1	Engine Bed		06/09/2023	



D_BFGJ_4_1

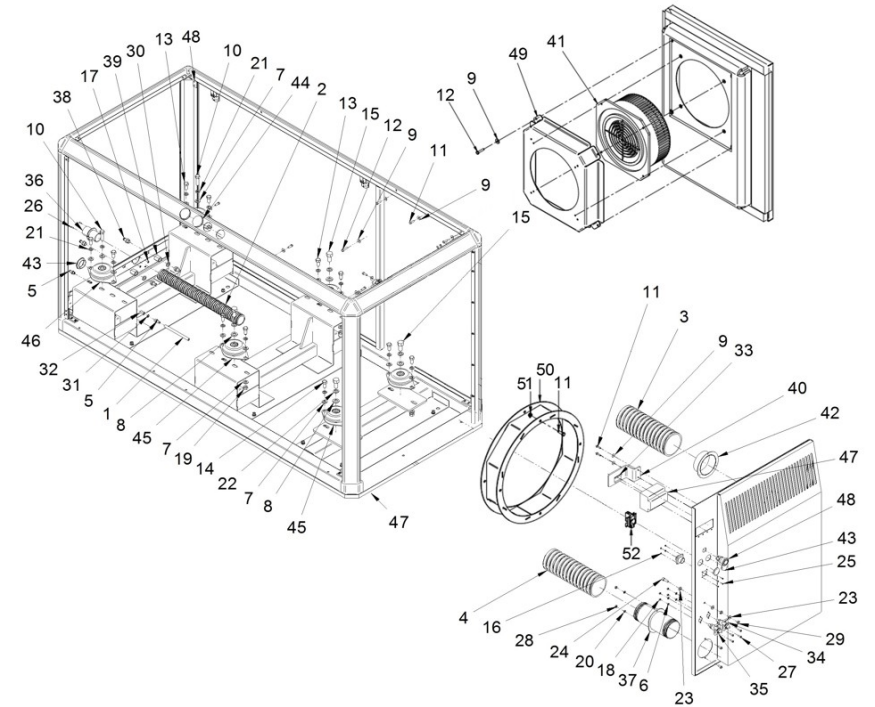
Cabin

Fig.	Ref.	Qty.	Descr.	Obs	From	UpTo
1	52103258	10	Bolt DIN 912 M8-25 8.8			
2	53105104	8	Bolt DIN 7991 M5-10 12.9			
3	60573041.43	4	L Fastening Bracket			
4	60594042.03	1	VERTICAL BAR			
5	60594042.04	1	VERTICAL BAR			
6	60594042.10	1	BASEBOARD			
7	60594042.20	1	Upper Panel			
8	60594042.21B	1	Side Panel			
9	60594042.21C	1	Side Panel			
10	60594042.22A	1	Output Panel			
11	60594042.22B	1	Output Panel			
12	60594042.24	1	FrontAL Panel			
13	60594042.25	1	Back Panel			
14	60594042.30	1	Upper FRAME			
15	60594042.31	1	VERTICAL BAR			
16	60594042.32	1	VERTICAL BAR			
17	60594042.61	0	Bottom Frame	#		
18	51030008	20	Washer DIN 125-8			
19	52120008	10	Nut DIN 934 M8 8.8			
20	53033008	9	Washer GROWER DIN 127-8			
21	53038008	2	Washer DIN 6798-A 8			



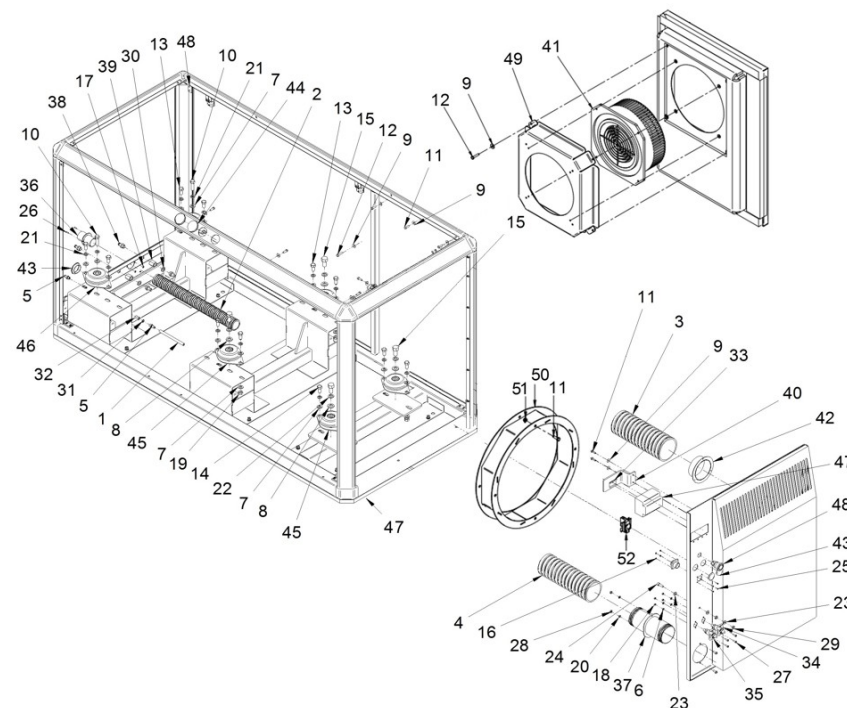
D_SDZ109GTST_09_2 Cabin Kit

Fig.	Ref.	Qty.	Descr.	Obs	From	UpTo
1	M80501006	1.0	Hose D.10-6			
2	M87504252	2.0	Water Intake Hose (HQ) D. 42-52			
3	M8850102114	1.0	Exhaust Hose D. 102			04/03/2024
3	M885710200	1.0	Air Aspiration Hose D. 102		04/03/2024	
4	M885090102	1.0	Exhaust Hose D. 90			
5	13814072	2	Straight Hose Connector 1/8" NPTF			
6	51030005	4	Washer DIN 125-5			
7	51030012	26	Washer DIN 125-12			
8	51030016	4	Washer DIN 125-16			
9	51031006	15	Washer DIN 9021 6			
10	52101373	2	Bolt DIN 931 M12-100 8.8			
11	52102157	19	Bolt DIN 933 M6-20 8.8			
12	52102159	4	Bolt DIN 933 M6-30 8.8			
13	52102358	8	Bolt DIN 933 M12-25 8.8			
14	52102359	4	Bolt DIN 933 M12-30 8.8			
15	52102461	4	Bolt DIN 933 M16-40 8.8			
16	52120003	4	Nut DIN 934 M3 8.8			
17	52120004	2	Nut DIN 934 M4 8.8			
18	52120005	4	Nut DIN 934 M5 8.8			
19	52120012	8	Nut DIN 934 M12 8.8			
20	53033006	2	Washer GROWER DIN 127-6			
21	53033012	14	Washer Grower DIN 127-12			
22	53033016C	4	Washer			
23	54030008	3	Washer DIN 125-8 INOX.			
24	54103258	1	Bolt DIN 912 M8-25 INOX.			
25	54118004	4	Bolt DIN 7985 M3-10 INOX			
26	54118054	2	Bolt DIN 7985 M4-10 INOX			
27	54118106	4	Bolt DIN 7985 M5-16 INOX			
28	54120006	2	Nut DIN 934 M6 INOX			
29	54120008	6	Nut DIN 934 M8			
30	56000073	2	Copper Washer 16-23-1,5			

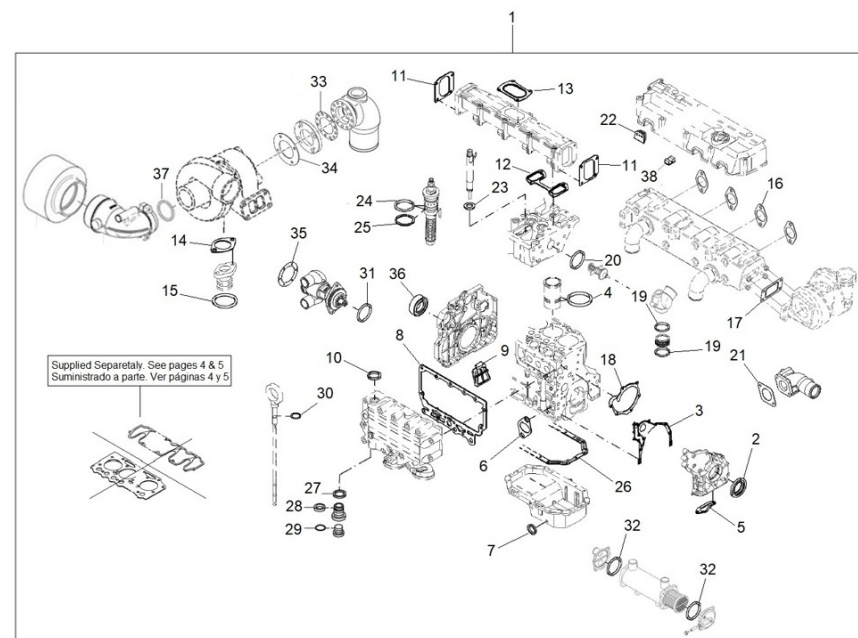


D_SDZ109GTST_09_2 Cabin Kit

Fig.	Ref.	Qty.	Descr.	Obs	From	UpTo
31	57000361	1	Washer 10-14-1,5			
32	60573041.39	1	ROD Coupling 1/8 BSP			
33	60573041.64	1	Switch Disconnecter Omega Bracket			
34	60573047	1	Battery Plug IN			
35	60573048	1	Battery Plug IN			
36	60594026	1	Water Wall Bushing D.42			
37	60594028	1	Exhaust Wall PASS D90			
38	60594041.39	4	Gasoil Wall Bushing D12 MALE			
39	60594041.40	2	ROD Coupling 3/8 BSP			
40	60594042.42	1	Switch Disconnecter Bracket			
41	6057A050	1	Centrifugal Fan PSB 230V		01/01/2022	
41	60594042.44	1	Fan HJEM 25 M4 (CASALS)			29/12/2021
42	60594042.64	1	Air TUBING D100			
43	60900508	3	Shutter 31			
44	60900514	2	Shutter 44			
45	61674001	4	Engine Mount Type F 40 SHA M16 H 41			
45	61674007	4	Engine Mount Type F BRB 110 A40 SHA M16 H 41		14/04/2023	
46	61674002	2	Engine Mount Type F 35 SHA M12 H 41			
46	61674006	2	Engine Mount Type F BRB 110 A40 SHA M12 H 41		14/04/2023	
47	60594042.10	1	BASEBOARD			
48	60573041.43	4	L Fastening Bracket			
49	6057A041.23B	1	Air Outlet Aluminium Sheet Box		01/01/2022	
50	60594042.25G	1	Spacer Ring		01/01/2022	
51	51123006	4	Nut DIN 985 M6 5.6		01/01/2022	
52	60900511	1	Stop PUSH BOTTOM Body			

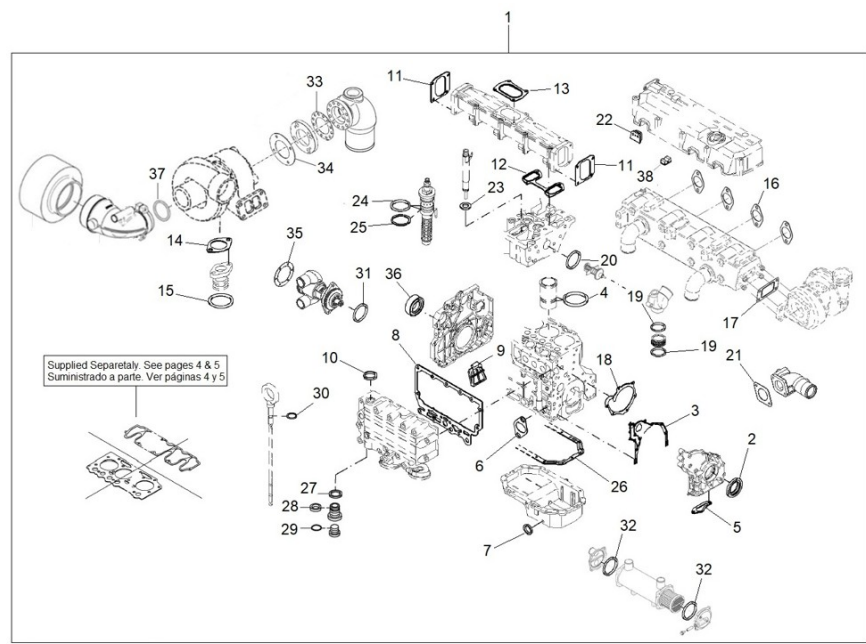


D_GJ01_6_1 Gasket Kit					
Fig.	Ref.	Qty.	Descr.	Obs	From UpTo
1	19420103	1	Gasket Set		
2	19420008	1	ROT.Shaft LIP Seal		
3	19420026.2	1	Gasket		
4	19420074	8	O-Ring D. 115X3		
5	19424056.1	1	Gasket		
6	19421076	1	Gasket		
7	19420032.1	1	Gasket		
8	19424084	1	Gasket		
9	19422116	1	CORE Hole Plug		
10	19421019	1	Sealing Ring		
11	19421047	2	Gasket		
12	19421063	2	Gasket		
13	19421034	1	Gasket		
14	19428062	1	Gasket		
15	19428063	2	Sealing Ring		
16	19421181.2	4	Gasket		
17	19421183.3	1	Gasket		
18	19421040	1	Flat Gasket		
19	19421044	2	O-Ring		
20	19421041	1	O-Ring		
21	19411010	1	Gasket		
22	19421018	4	Rubber Seal		
23	19426012	4	Sealing Ring		
24	19425002	12	O-Ring D. 40X3,5		
25	19425003	8	Shim		
26	19420033	1	Gasket		
27	19422118	1	Sealing Ring		
28	19422115	1	Sealing Ring		
29	19422113	1	O-Ring		
30	19620029.2	1	O-Ring		
31	19420221	1	O-Ring D. 82X4 VITON		



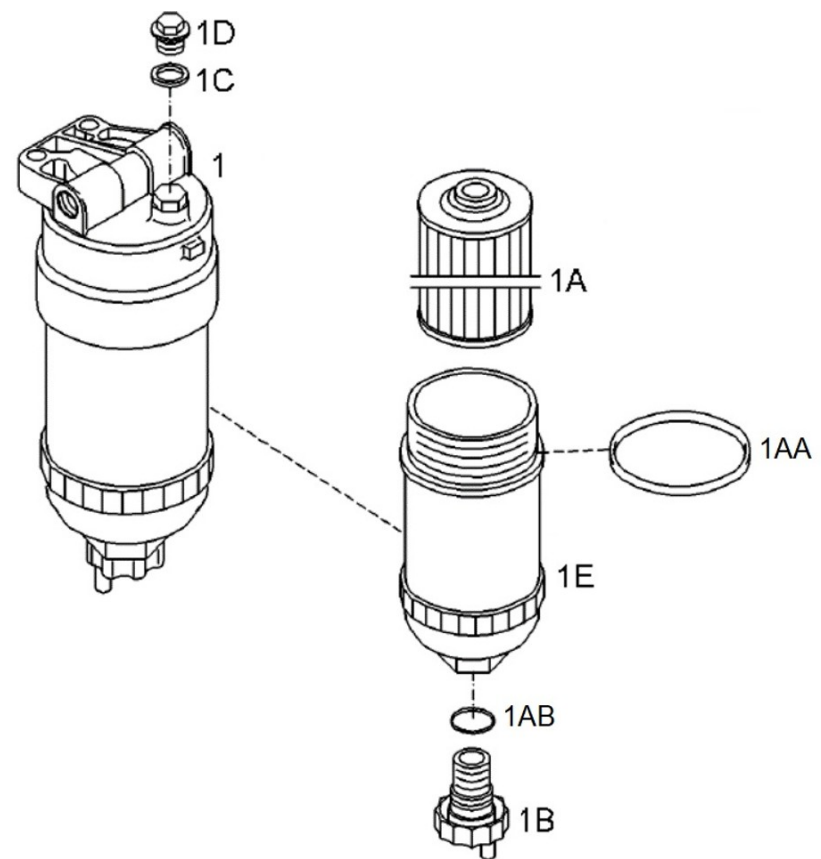
D_GJ01_6_1 Gasket Kit

Fig.	Ref.	Qty.	Descr.	Obs	From	UpTo
32	16711007	2	O-Ring D. 116X4			
33	16513016	1	Exhaust Elbow Gasket			
34	19413013	1	Gasket			
35	34711003	1	Gasket Cover			
36	19420039.1	1	ROT.Shaft LIP Seal			
37	19610019	1	O-Ring D. 62X5 VITON			
38	19421011	1	Cap			



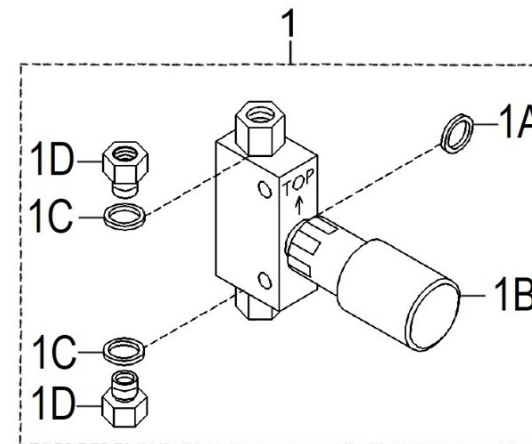
D_19424020 Fuel Filter

Fig.	Ref.	Qty.	Descr.	Obs	From	UpTo
1	19424020	1	SPin-ON Fuel FILT.			
1A	19424020.3	1	Pre Fuel Filter Element SDZ-165/205/280			
1AA	19424020.2	1	O-Ring D. 95X4			
1AB	19424020.4	1	O-Ring D. 12X2,5			
1B	19424020.5	1	DRAIN Valve			
1C	19421016	1	Sealing Ring			
1D	19420071	1	Screw Plug			
1E	19424020.8	1	Filter Housing			



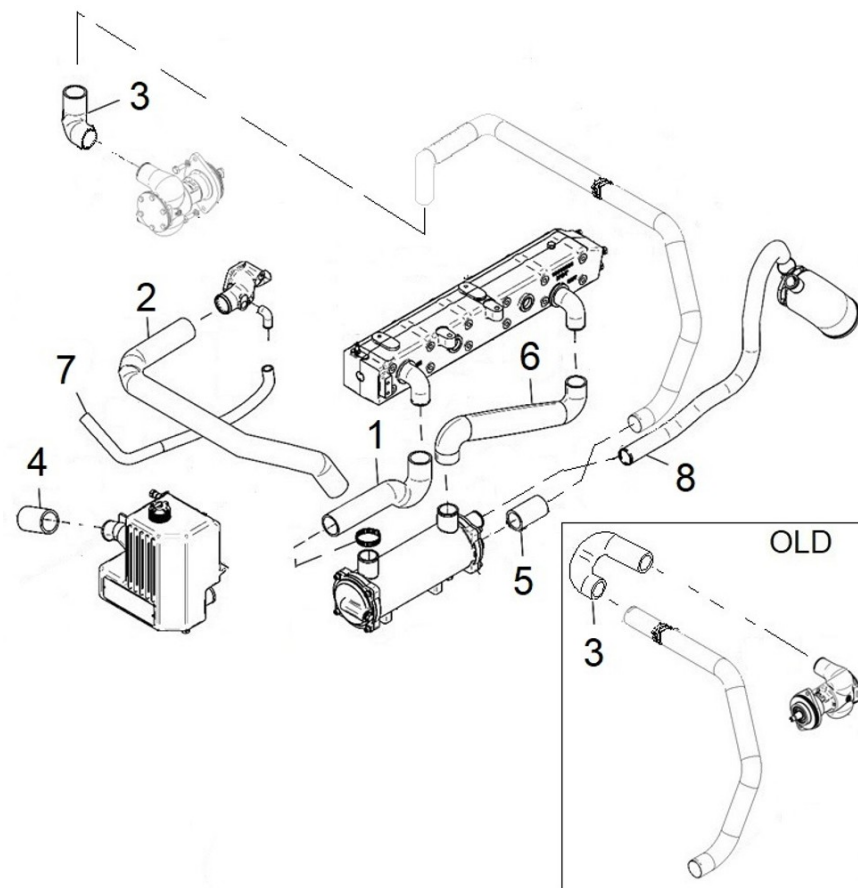
D_19424050 Hand Pump

Fig.	Ref.	Qty.	Descr.	Obs	From	UpTo
1	19424075	1	Kit Fuel Pump			
1A	19424050.1	1	Sealing Ring			14/11/2019
1B	19424050.2	1	Hand Pump			14/11/2019
1C	19424078	2	Gasket			14/11/2019
1C	56000077	2	Washer 18-23-1,5		14/11/2019	
1D	19424050.3	2	Adapter NIPPLE			14/11/2019
1D	19424079	2	Manual Pump gasoil Fitting		14/11/2019	



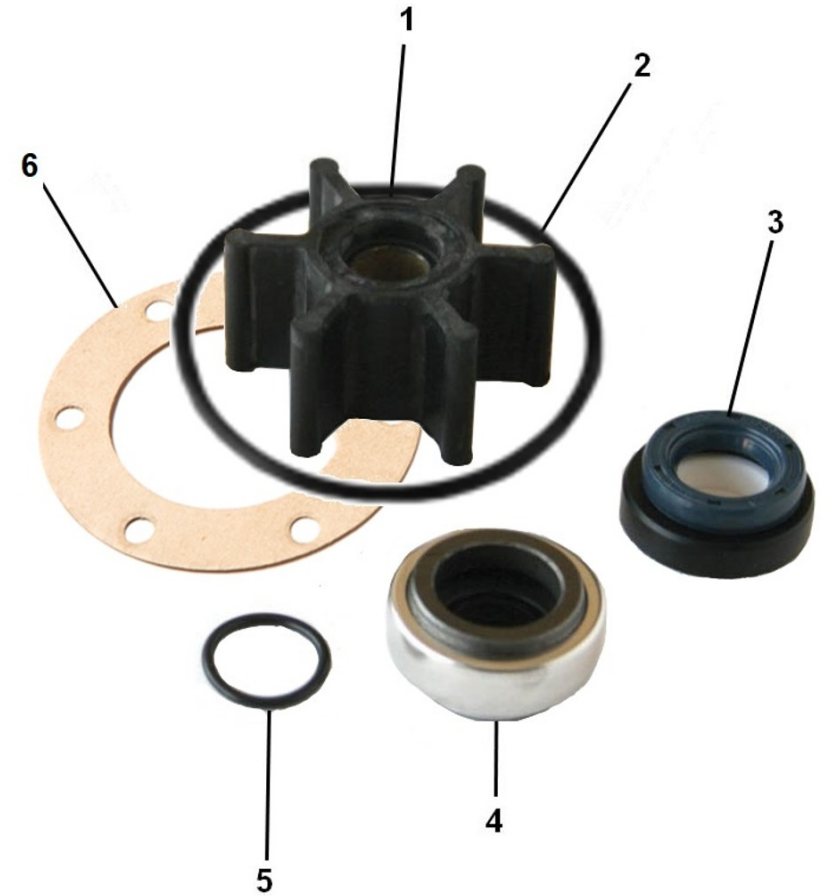
19411100G Pipe Rubber Set SDZ-109 Genset V.S

Fig.	Ref.	Qty.	Descr.	Obs	From	UpTo
1	19411019	1	Hose			
2	19411020	1	Hose			
3	19411015	1	Elbow		01/01/2023	
3	19411034	1	Pipe, Rubber			31/12/2022
4	19411043	1	Pipe 48-60-85			
5	19411061	1	Rubber Hose D.42-52-90			
6	19611020G	1	Hose			
7	M81560022	1.0	Cooling Hose SDZ Group Earth Isolated D. 22			



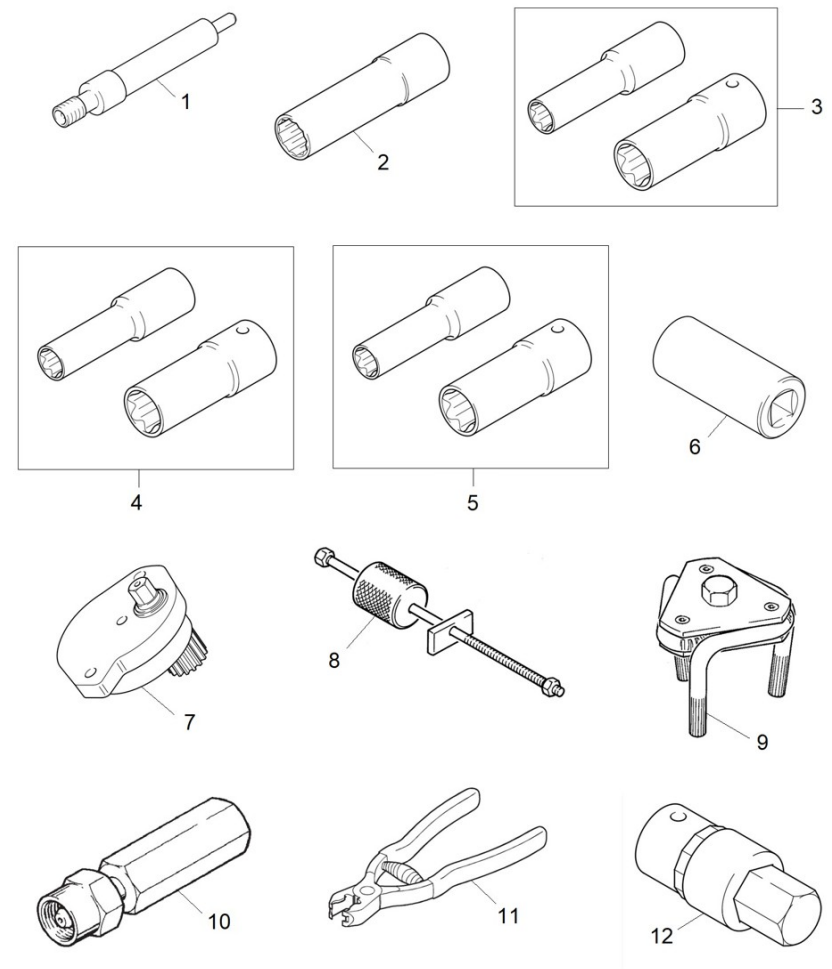
D_SDZ109EGTDN_10_3 Repair Kit Water Pump

Fig.	Ref.	Qty.	Descr.	Obs	From	UpTo
1	39411008	1	1" L.68 Impeller			
2	19420221	1	O-Ring D. 82X4 VITON			
3	36511020	1	Seal 16-30-7			
4	36511019	1	Seal			
5	33311013	1	O-Ring D. 15X2			
6	34711003	1	Gasket Cover			



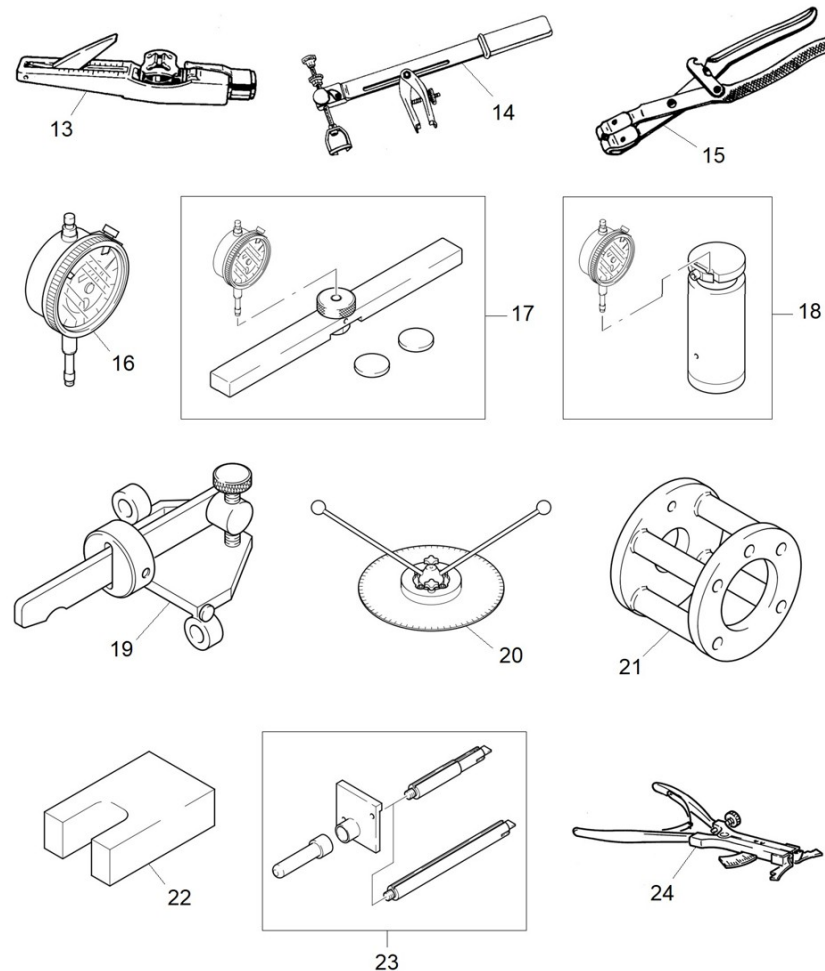
D_UTILSDZPRO_1 Special Tools 1/4

Fig.	Ref.	Qty.	Descr.	Obs	From	UpTo
1	UBP00006	1	Connector For Compression Tester			
2	UMSDZ001	1	Socket A/Flats 15 Long For Injector			
3	UMSDZ002	1	Torx Sockets Long Version			
4	UMSDZ003	1	Torx Sockets Long Version			
5	UMSDZ004	1	Torx Sockets Long Version			
6	UMSDZ005	1	Serrated Wrench Turning Injection Pump			
7	UMSDZ008	1	Assembly Tool For Front Crankshaft Seal			
8	UMSDZ010	1	Extractor			
9	UMSDZ011	1	Special Device Off Filter Cartridge			
10	UMSDZ012	1	Extractor Injector			
11	UMSDZ016	1	Cobra Clamp Pliers			
12	UMSDZ017	1	Screw Driver Socket			



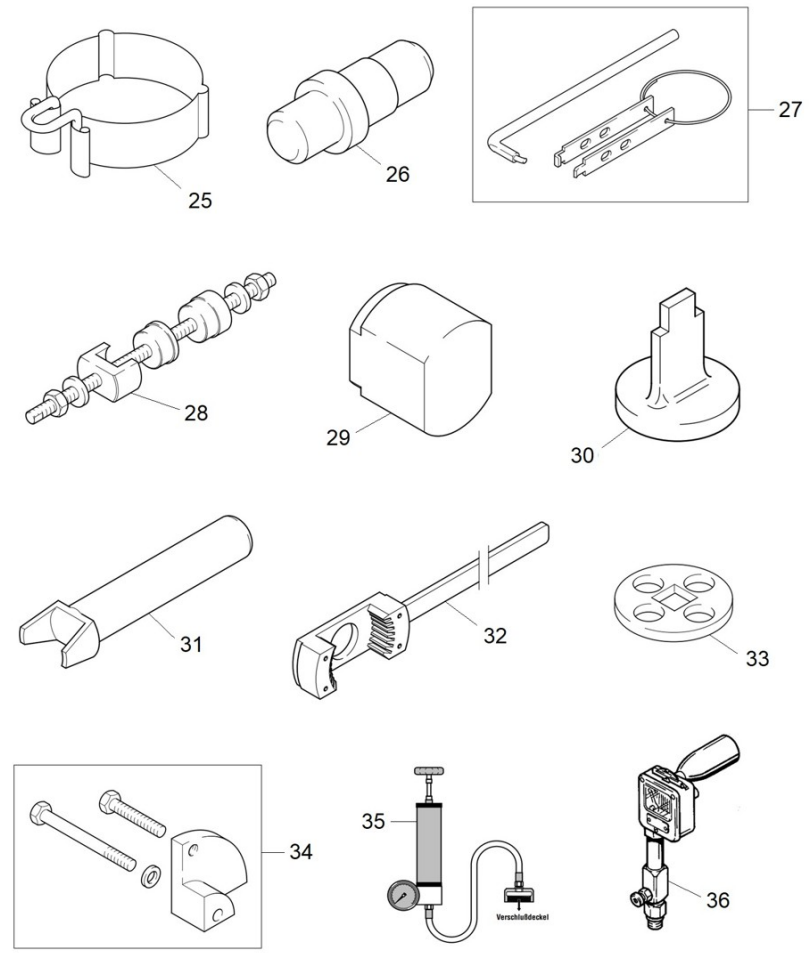
D_UTILSDZPRO_2 Special Tools 2/4

Fig.	Ref.	Qty.	Descr.	Obs	From	UpTo
13	UMSDZ018	1	V-Belt Tension Gauge			
14	UMSDZ019	1	Valve Spring Assembly Lever			
15	UMSDZ020	1	Spring Clamp Pliers			
16	UMSDZ024	1	Dial Gauge M2T With Locking Ring			
17	UMSDZ025	1	Measuring Bar With Spacers For Gauging			
18	UMSDZ026	1	Measuring Device Base Circle Injection			
19	UMSDZ027	1	Press-on Device For Control Rod			
20	UMSDZ028	1	GRADUATED DISC 360° For TDC and COD			
21	UMSDZ029	1	Adapter For Graduated Disc			
22	UMSDZ030	1	Dolly For Injector a/flats 11			
23	UMSDZ031	1	Assembly Tool For Control Rod Sleeves			
24	UMSDZ034	1	Piston Ring Pliers			



D_UTILSDZPRO_3 Special Tools 3/4

Fig.	Ref.	Qty.	Descr.	Obs	From	UpTo
25	UMSDZ035	1	Piston Ring Compressor			
26	UMSDZ036	1	Assembly Tool For Small End Bush			
27	UMSDZ037	1	Puller For Front And Rear Crakshaft Seal			
28	UMSDZ040	1	Assembly Tool For Camshaft Sleeves			
29	UMSDZ041	1	Assembly Tool For Cylinder Liner			
30	UMSDZ042	1	Assembly Tool For Pressure Control Valve			
31	UMSDZ043	1	Assembly Tool For Thermostat			
32	UMSDZ044	1	Dolly For Air Compressor Gear			
33	UMSDZ069	1	Turning Device			
34	UMSDZ070	1	Measuring Device For Control Rod			
35	UMSDZ058	1	Pressure Pump for Tightness Testing Coolant System			
36	UMSDZ059	1	Compression Tester			



D_UTILSDZPRO_4 Special Tools 4/4

Fig.	Ref.	Qty.	Descr.	Obs	From	UpTo
37	UMSDZ060	1	Injector Tester			
38	UMSDZ061	1	Torx Torx-Werkzeugsatz Tool Kit			
39	UMSDZ062	1	Spring Clamp Pliers			
40	UMSDZ063	1	Auxiliary Tool Glow Plug Cable Coupler			
41	UMSDZ064	1	Adjusting Bolts for Mass Compensating Shafts "MAG"			
42	UMSDZ066	1	Assembly Tool For Rear Crankshaft Seal			
43	UMSDZ067	1	Turning Gear			
NS	61800001	1	Injector Tester			
NS	UBP00002	1	Test Bench Engine Test Bench SDZ-280 Pressure			
NS	UMSDZ021	1	Spring Clamp Pliers			
NS	UV19410016B	1	Turbo pressure test tool SDZ-280			
NS	UV19424040.1	1	Fuel pressure test tool SDZ-280			

