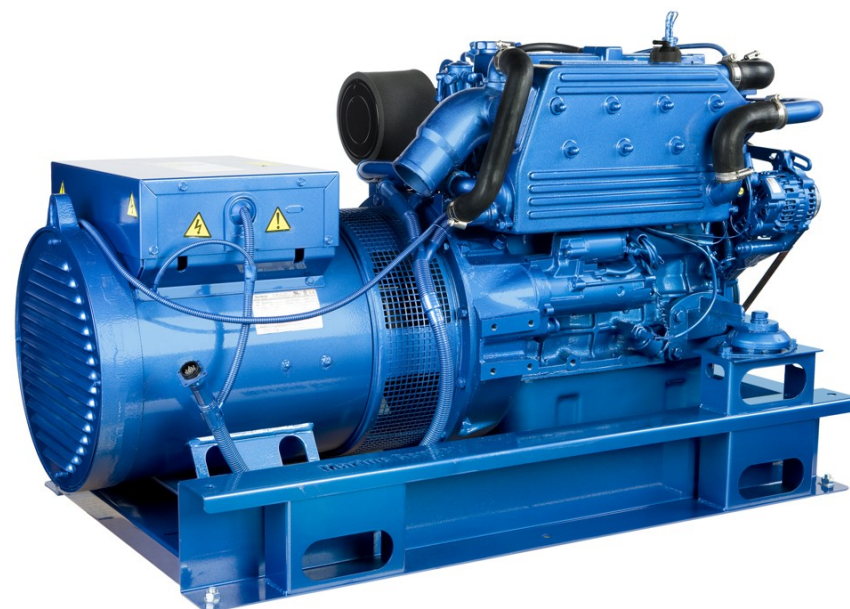




Genset 35 GT/GTC & 40 GTA/GTAC

VERSION 2024-5

PART LIST



PARTS LIST CATALOGUE

NORMS TO PLACE AN ORDER

For fast and more efficient service, please specify the following information on spare parts orders that must be preferably done by e-mail as specified below:

- 1- Engine model: As shown in identification plate
- 2- Engine serial number: As shown in identification plate and stamped on crankcase
- 3- Item description + part number + quantity required

Spare parts requests must be addressed to :

orders@solediesel.com

Telf.: +34 93 775 44 05

The components shown in the catalog have:

- Figure: Number by which they are represented in scheme
- Description: Trade name of the component
- Quantity: Total number of parts used in the assembly of the part represented (may differ from the total minimum quantities)

Hoses, indicates the total length in meters

The diagrams shown in this catalog of spare parts, have only the purpose to identify the piece in question, its representation is not meaningful and may differ from the actual piece.

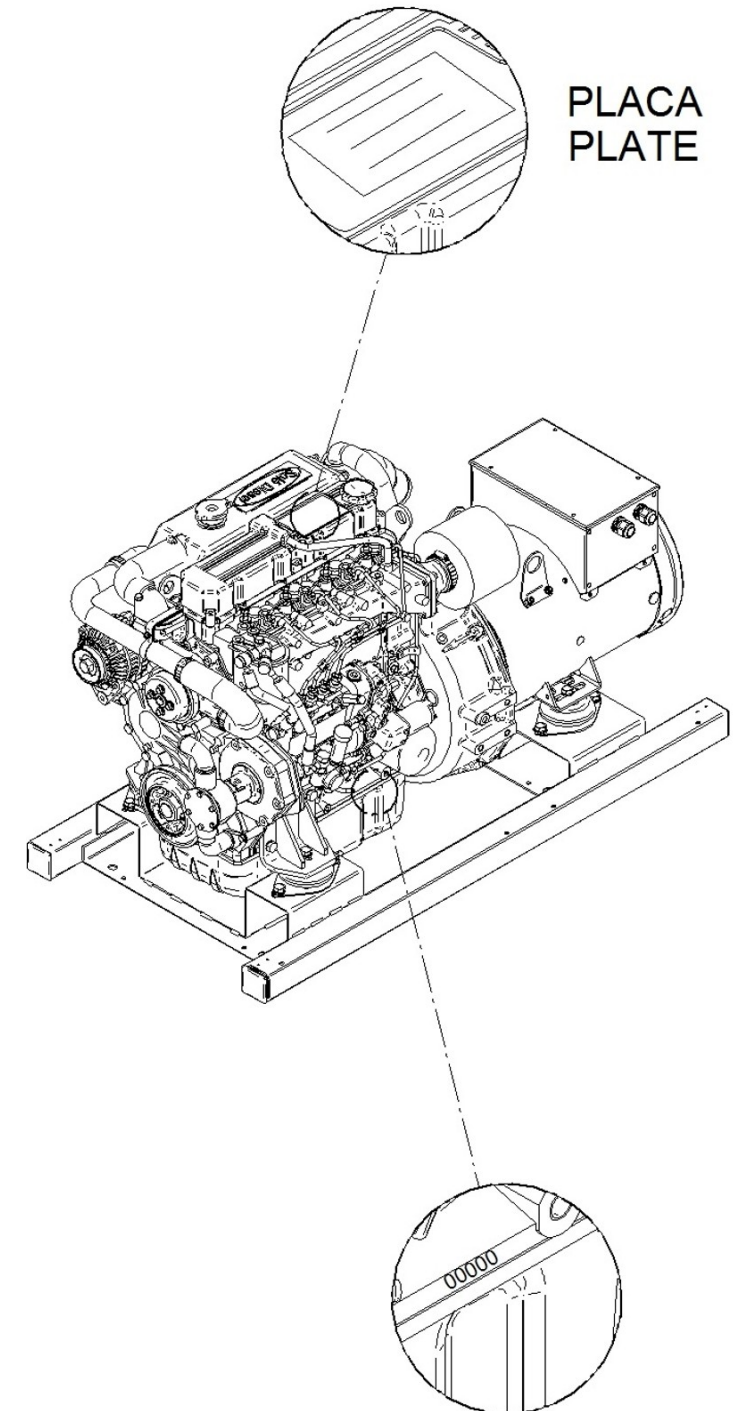
In case of doubt, contact Solé Diesel, or your authorized dealer.

The parts i / or references in this catalog are subject to change without notice.

SOLE, S.A.

C-243b, km, 2

08760 Martorell (Barcelona) Spain



**NÚMERO DE SERIE
SERIAL NUMBER**

Index

Engine Body

- Cylinder Head
- Rocker Cover & Breather
- Valve Drive
- Timing Parts
- Gear Case
- Crankcase
- Rear Plate
- Piston & Connecting Rod
- Crankshaft & Flywheel
- Oil System
- Oil Pan
- Engine Brackets

Inlet & Exhaust

- Inlet

Cooling System

- Water Pump
- Cooler Pipes
- Water Cooler Assy MINI-74 from 30/01/2018
- Water Cooler Assy MINI-74 upto 29/01/2018
- Body, Water Cooler And Cap
- Wet Exhaust
- Cross Brace Pump from 74 to 616

Fuel System

- Fuel Pipe
- Injection Nozzle
- Governor Parts
- Fuel Supply Parts

Electrical System

- Electrical System 12V
- Electrical System 24V
- Parallel Electrical System 12V
- Parallel Electrical System 24V
- Panels for Genset
- Spare Parts List for Generator Panel
- Electrical Box for Parallel
- Genset Extension
- Parallel Genset Extension

Alternator Spare Parts

- Alternator 35 GT/GTC & 40 GTA/GTAC
- Alternator Spare Parts 35 GT Y 40 GTA SINCRO
- Alternator Spare Parts MECCALTE 35 GT Y 40GTA C-TYPE

- 3 Phase SINCRO Alt. Kit (S)
- 3 Phase SINCRO Alt. Kit (C)

Genset Spare Parts

- Cabin
- Cabin Kit

Chassis Spare Parts

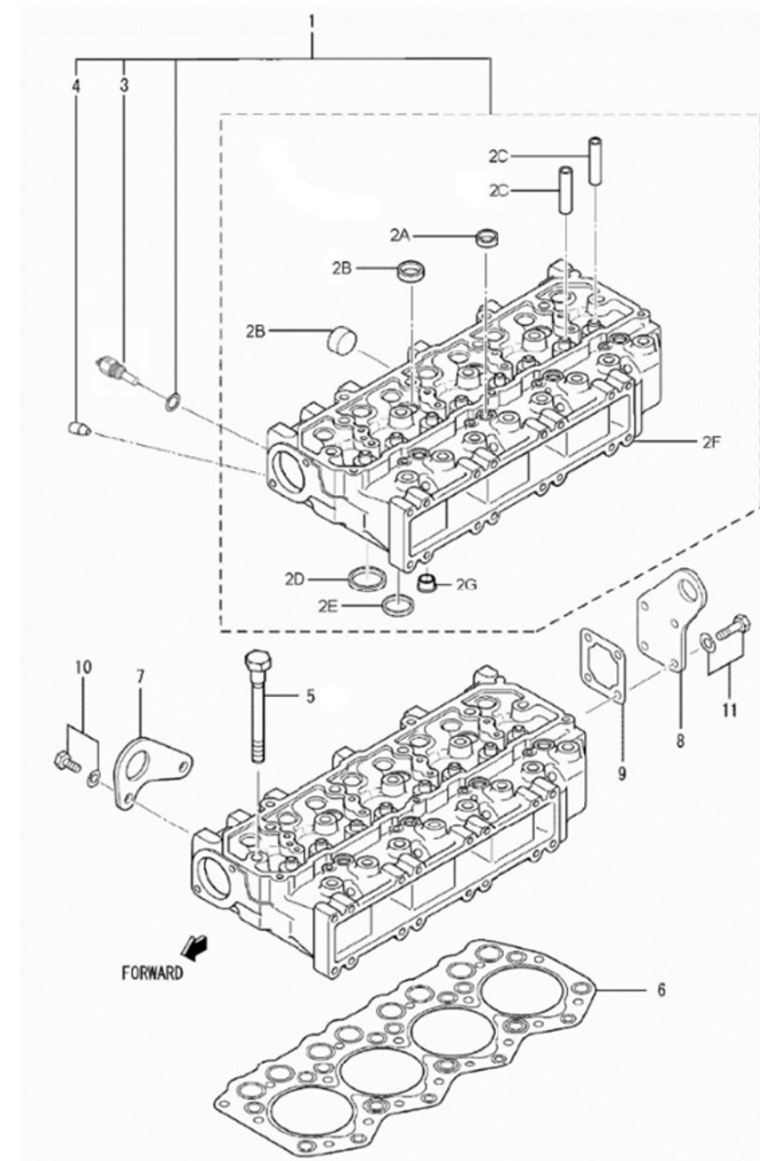
- Genset Chassis

Maintenance Kit

- Gasket Kit
- Pipe Rubber Set, Water LINE
- Repair Kit Water Pump 1"
- Special Tools
- Special Tools

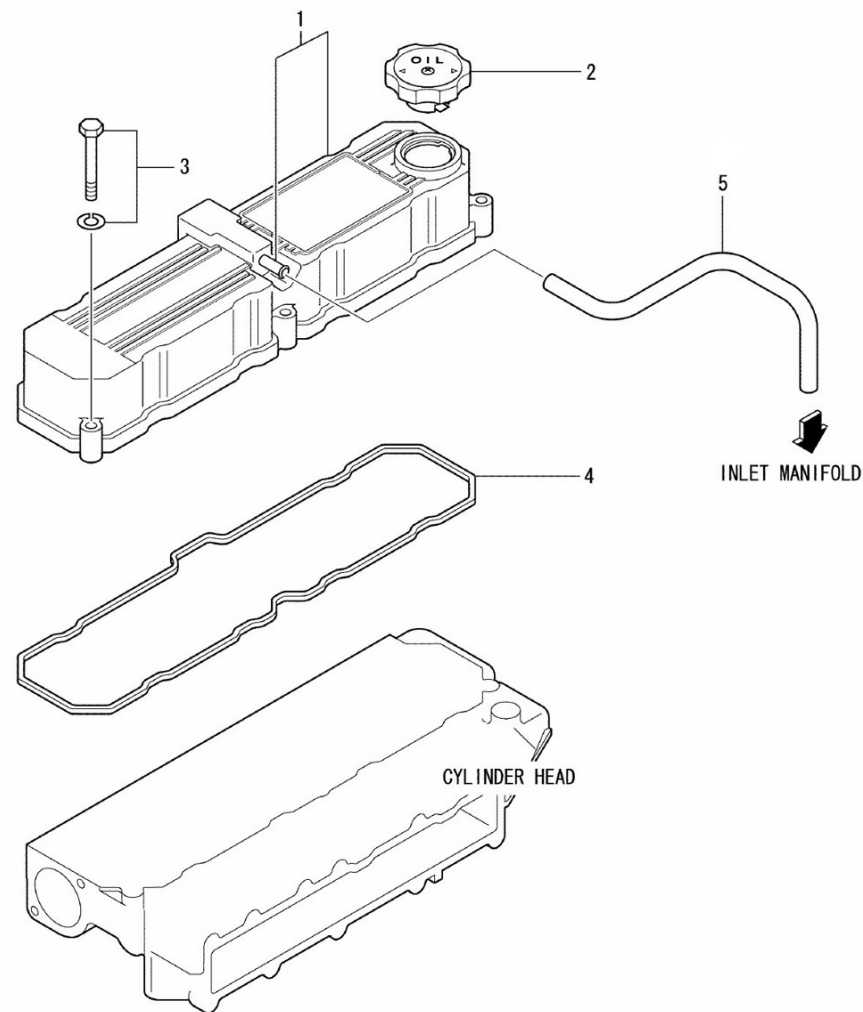
D_GG04_1_1 Cylinder Head

Fig.	Ref.	Qty.	Descr.	Obs	From	UpTo
1	17421001	1	Head Assy,Cylinder			
2A	17220006	8	Cap, Sealing			
2B	13220012	7	Cap Sealing			
2C	17421002	8	Guide,Valve			
2D	17421061	4	Seat,Valve,IN			
2E	17421062	4	Seat,Valve,Exhaust			
2F	(*)	2	Not available			
2G	17421015	4	JET,COMBUSTION			
3A	174270802	1	Temperature Switch			
Figure A for Standard System						
3B	60900973	1	High Coolant, 2 Poles 95° SG			
Figure b for Parallel System						
4	17421046G.3	1	Plug			
5	17421005	17	Bolt,cylinder head			
6	17421004	1	Gasket,Cylinder Head			
7	17420014	1	Eye,Lifting,Front			
8	17421018	1	Eye,Lifting;Head Rea			
9	17421011	1	Gasket			
10	17821012	2	Bolt,W/Washer			
11	17421012G.1	4	Bolt W/Washer (Generator)			



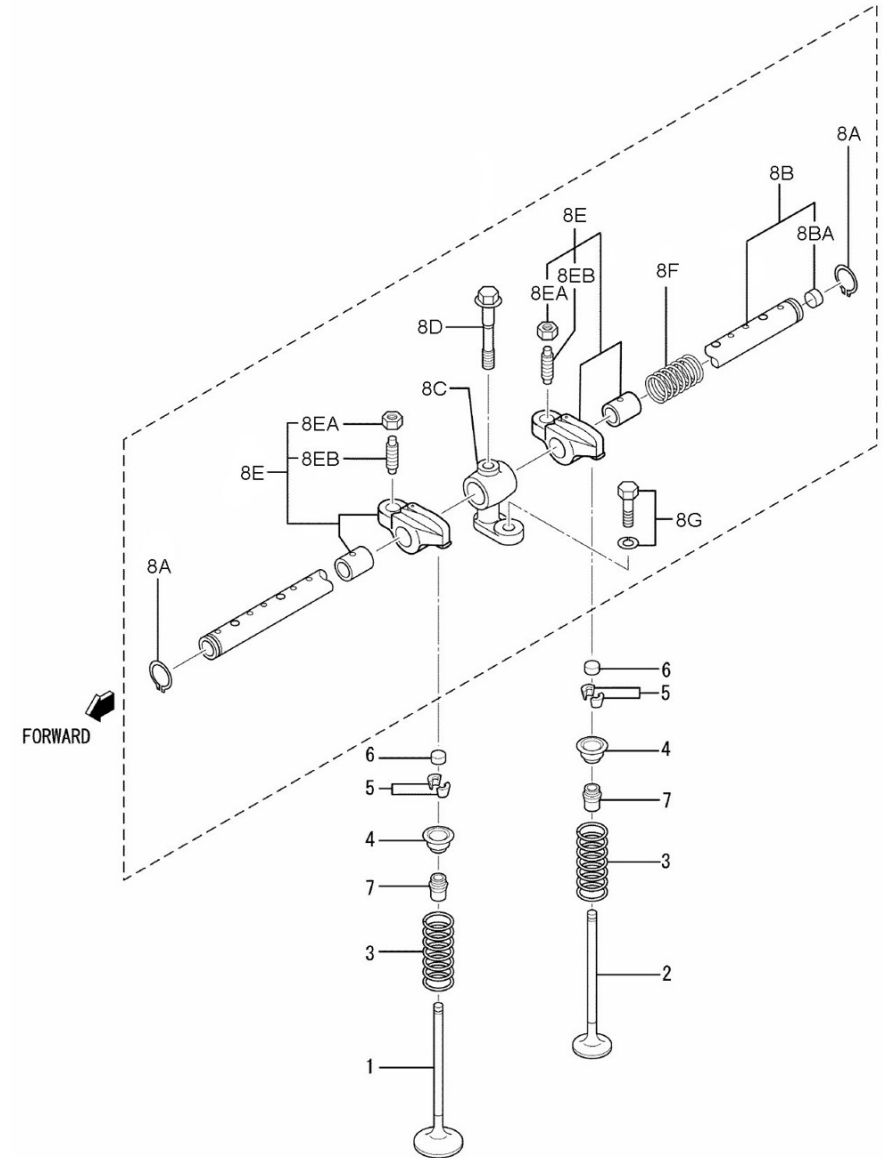
D_GG04_1_2 Rocker Cover & Breather

Fig.	Ref.	Qty.	Descr.	Obs	From	UpTo
1	17421009.2	1	Cover Assy,Rocker			
2	17821003	1	Cap Oil Filler			
3	17421014G.1	5	Bolt W/Washer (Generator)			
4	17421010	1	Rocker Cover Gasket			
5	17421006	1	Hose,BREATHER			



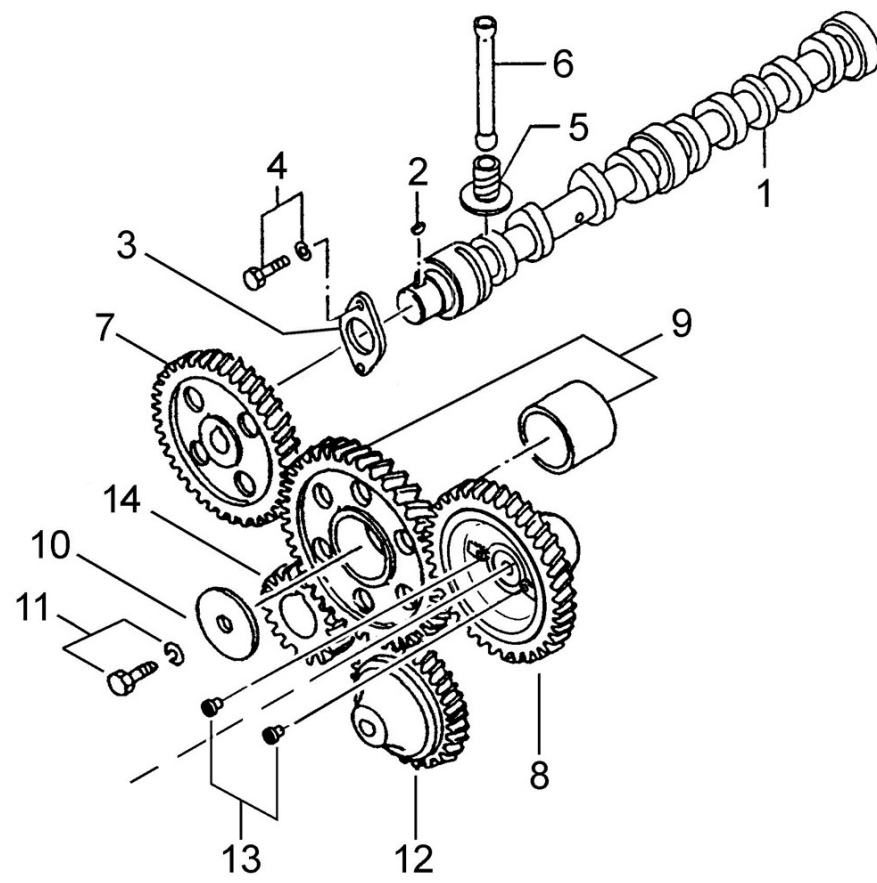
D_GG04_1_3 Valve Drive

Fig.	Ref.	Qty.	Descr.	Obs	From	UpTo
1	17422055.1	4	Valve,Inlet			
2	17422056	4	Exhaust Valve			
3	13322028	8	Spring, valve outler			
4	17422058	8	Retainer,Upper			
5	17122059.1	16	Cotter,Valve			
6	13322024	8	Cap			
7	17422057	8	Seal, Valve Stem			
8A	17222050	2	Ring, SNAP			
8B	17422046	1	Shaft Assy,Rocker			
8BA	13322023	2	Cap, Sealing			
8C	17422048	4	Bracket,Rocker Shaft			
8D	17422053	4	Bolt,Rocker Bracket			
8E	17422142.1	8	Rocker Assy			
8EA	17122060	8	Nut			
8EB	17122044	8	Screw Adjusting			
8F	17422047G.1	3	Spring,Rocker			
8GA	52102258	4	Bolt DIN 933 M8-25 8.8			
8GB	53033008	4	Washer GROWER DIN 127-8			



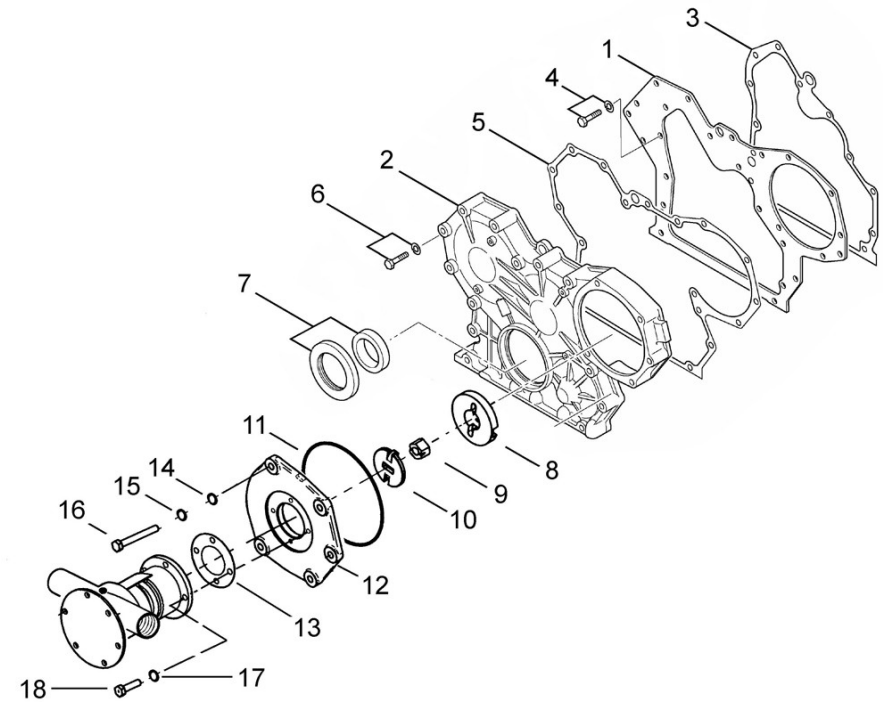
D_GG04_1_4 Timing Parts

Fig.	Ref.	Qty.	Descr.	Obs	From	UpTo
1	17422035	1	CamShaft			
2	13322034	1	Key Woodruff			
3	17422075	1	Plate,THRUST			
4	17422037G.1	2	Bolt W/Washer (Generator)			
5	17122061	8	Tappet			
6	17122041	8	Rod, push			
7	17422037	1	Gear,CamShaft Z=46			
8	17422040	1	Gear,INJ.Pump Z=46			
9	17422038	1	Gear,IDLER Assy Z=49			
10	17122032	1	Plate, thrust			
11	17720010	1	Bolt,W/Washer			
12	17422066	1	Gear,Oil Pump Z=31			
13	53104255	2	Bolt DIN 7984 M8-12 10.9			
14	17422019	1	Gear,CrankShaft			



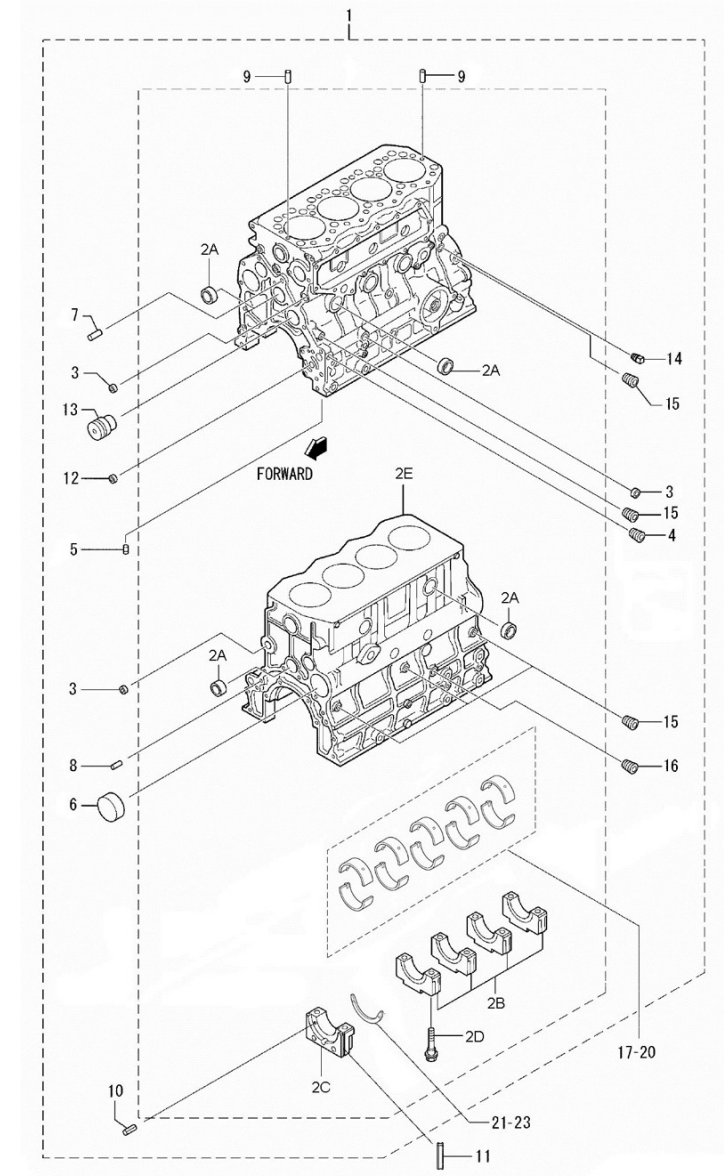
D_GG04_1_5 Gear Case

Fig.	Ref.	Qty.	Descr.	Obs	From	UpTo
1	17420024G.1	1	Plate,Front (Generator)			
2	17420035G	1	Case,TIMING Gear			
3	17420018	1	Gasket,Front Plate			
4	17422037G.1	5	Bolt W/Washer (Generator)			
5	17420040	1	Gasket,Gear			
6	17520047	13	Bolt,W/Washer			
7	17420039.1	1	Seal Assy,Oil			
8	17411026	1	Coupling Drive			
9	17422071	1	Nut,INJ.Pump			
10	15310072	1	CrossHead Jaw Coupling			
11	17420047	1	O-Ring D. 140X2			
12	17410010	1	Block Water Pump		14/08/2018	
12	17420046	1	Cover,Gear Case			13/08/2018
13	13310013	1	Gasket,water pump			
14	51030008	5	Washer DIN 125-8			
15	53038008	5	Washer DIN 6798-A 8			
16	52101266	5	Bolt DIN 931 M8-65 8.8			
17	51030006	4	Washer DIN 125-6			
18	52103156	4	Bolt DIN 912 M6-16 8.8			



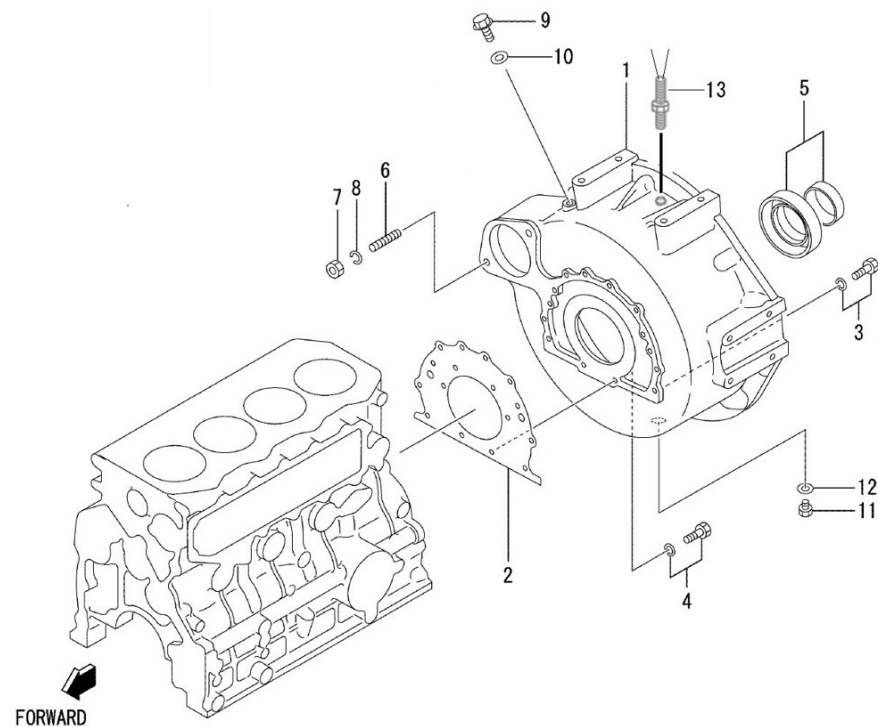
D_GG04_1_6 Crankcase

Fig.	Ref.	Qty.	Descr.	Obs	From	UpTo
1	17420001G.3	1	Crankcase Assy (Generator)			
2A	13320006	10	Cap, Sealing			
2B	(*)	6	Not available			
2C	(*1)	1	Not available			
2D	17420009	10	Bolt Bearing Cap			
3	13320007	4	Cap, Sealing			
4	17420027G.1	1	Plug,TAPPERED (Generator)			
5	17421046G.3	3	Plug			
6	17420013G.3	1	Plug			
7	17420036	2	Pin,Dowel			
8	13320025	2	Pin			
9	17120019	2	Pin, dowel			
10	17420012	6	Pin, Spring			
11	17420112	2	Seal, Valve			
12	17420011G.3	1	Bushing			
13	17420034	1	Shaft, IDLER			
14	17120022	1	Plug, tapered			
15	17820011	5	Plug, Tapered			
16	17620024.4	1	Plug TAPER			
17	17420003	1	METAL, MAIN Set STD			
18	17420004	1	METAL, MAIN Set -0,25			
19	17420005	1	METAL, MAIN Set -0,50			
20	17420006	1	METAL, MAIN Set -0,75			
21	17420109	3	Plate, THRUST.C/S STD			
22	17420110	3	Plate, THRUST.C/S +0,15			
23	17420111	3	Plate, THRUST.C/S +0,30			



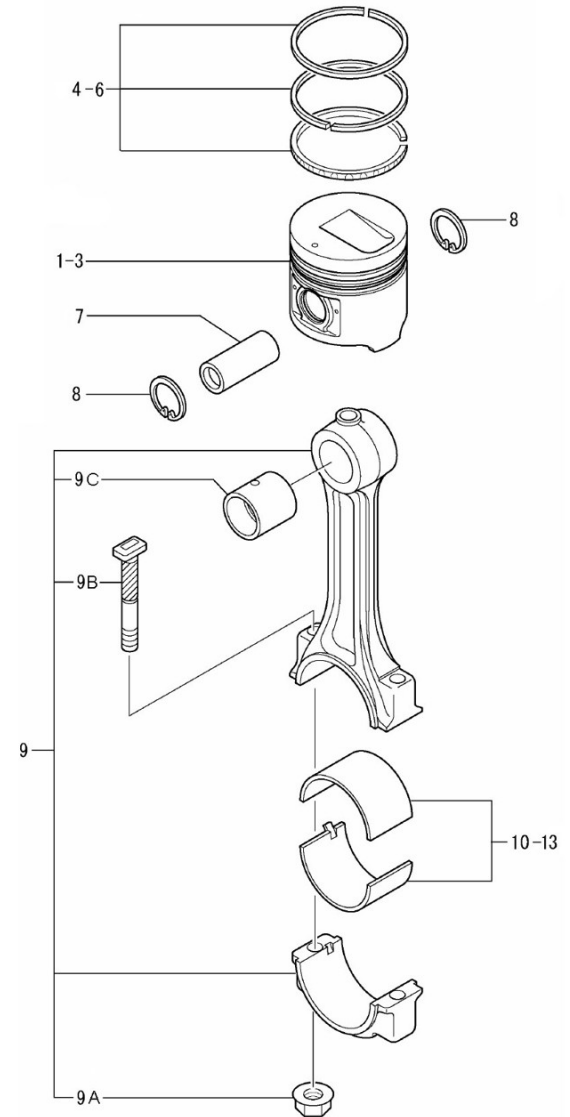
D_GG04_1_7 Rear Plate

Fig.	Ref.	Qty.	Descr.	Obs	From	UpTo
1A	17420002G.3	1	Flyweel Housing			
Figure A for Standard System						
1B	17420007G.3M	1	Flyweel Housing Pickup			
Figure b for Parallel System						
2	17420025	1	Gasket,Rear			
3	17327129.2	10	Bolt			
4	17420028G.1	2	Bolt,W/Washer (Generator)			
5	13320063	1	Seal Oil			
6	13320067	2	Stud			
7	17827003	2	Nut			
8	17433010	2	Washer spring			
9	17121016	1	Plug, drain			
10	17121013	1	Gasket			
11	13224045	1	Plug			
12	56000077	1	Washer 18-23-1,5			
13	60972519	1	Magnetic Speed Sensor			



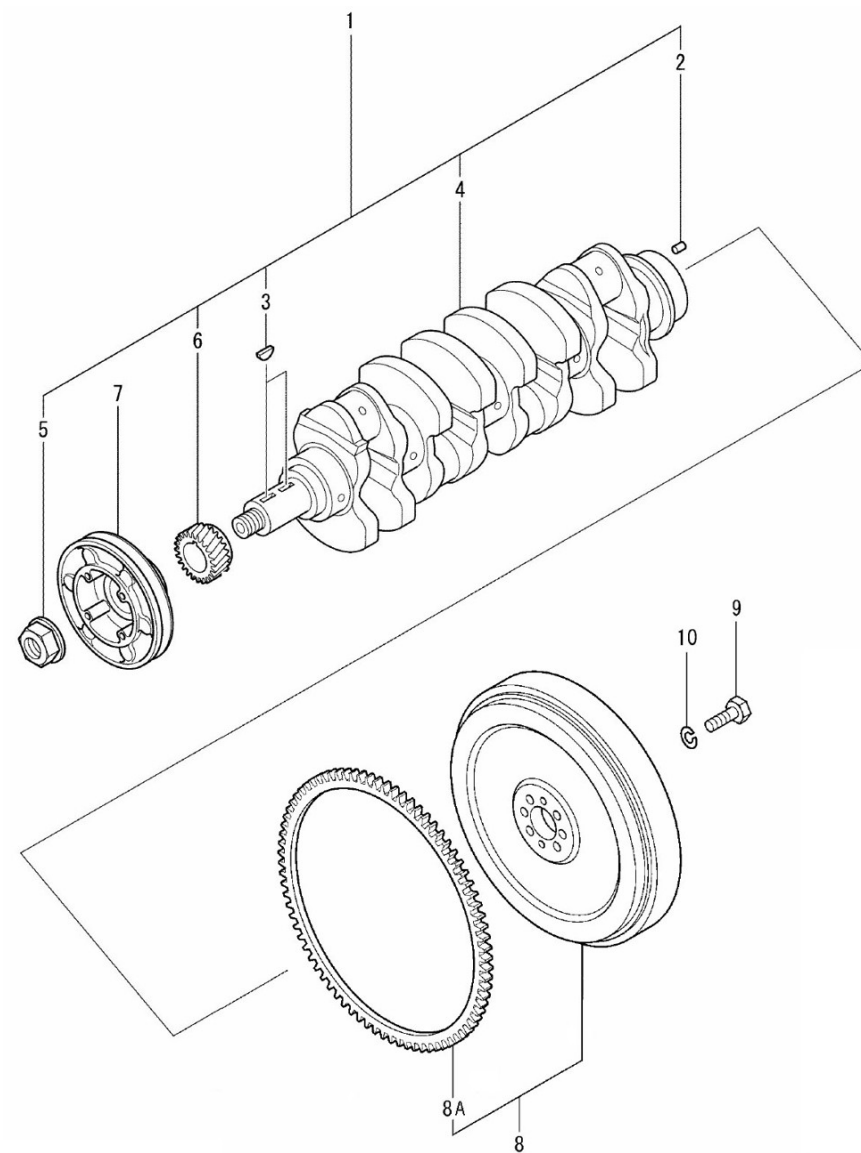
D_GG04_1_8 Piston & Connecting Rod

Fig.	Ref.	Qty.	Descr.	Obs	From	UpTo
1	17422001G.1	4	Piston STD. (Generator)			
2	17422002G.1	4	Piston O.S 0.25 (Generator)			
3	17422003G.1	4	Piston O.S 0.50 (Generator)			
4	17422006G.1	4	Ring Set,Piston STD.(Generator)			
5	17422007G.1	4	Ring Set,Piston O.S 0.25 (Generator)			
6	17422008G.1	4	Ring Set,Piston O.S 0.50 (Generator)			
7	17422009	4	Pin,Piston			
8	17422010	8	Ring,Snap			
9	17822012	4	Rod Assy. Connecting			
9A	17822011	8	Nut			
9B	17122013	8	Bolt,connecting rod			
9C	17422033	4	Bushing,Con-Rod			
10	17422014	1	Bearing Set,Con-Rod,STD.			
11	17422015	1	Bearing Set,Con-Rod,U.S -0,25			
12	17822016	1	Bearing Set, Con-Rod, U.S 0,50			
13	17822017	1	Bearing Set, Con-Rod, U.S 0,75			

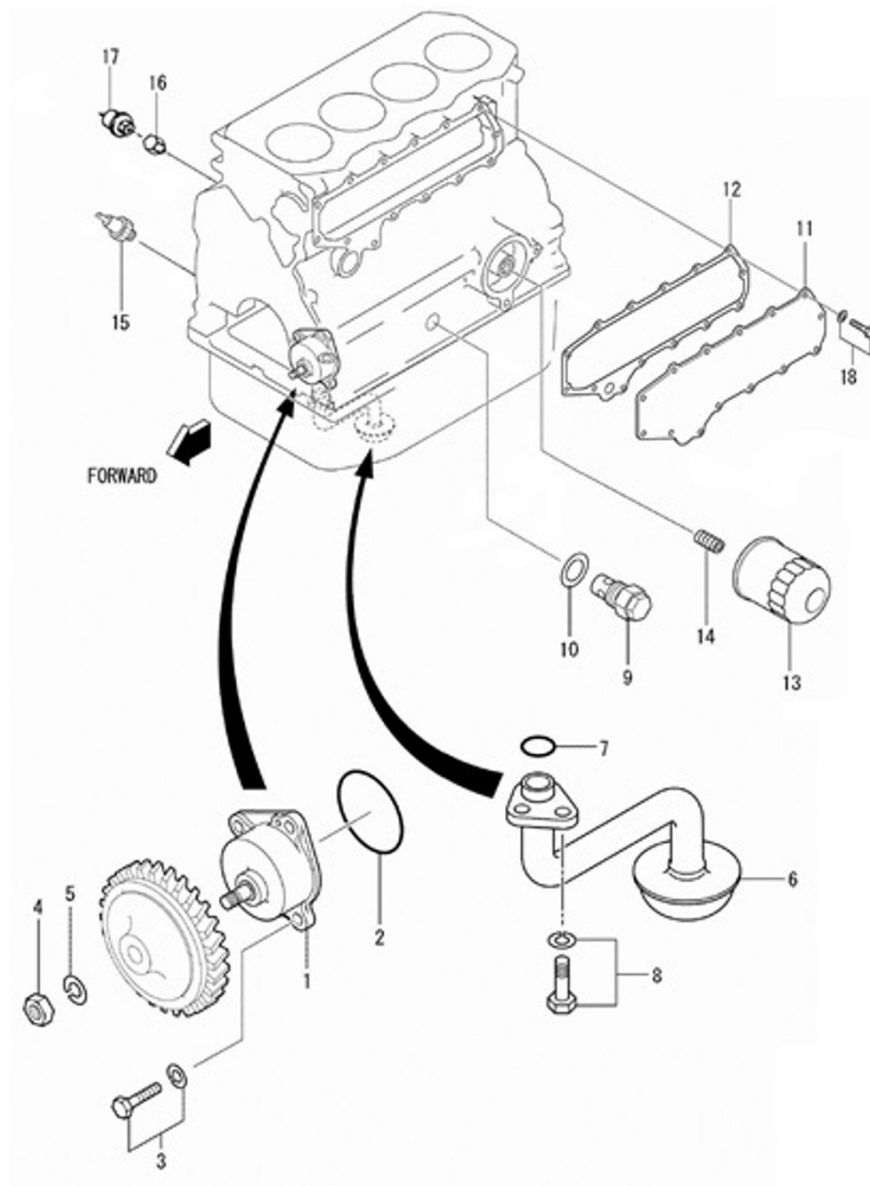


D_GG04_1_9 Crankshaft & Flywheel

Fig.	Ref.	Qty.	Descr.	Obs	From	UpTo
1	17422018	1	CrankShaft Assy			
2	13322059	2	Pin			
3	13322034	2	Key Woodruff			
4	(*)	1	Not available			
5	17422026	1	Nut,CrankShaft			
6	17422019	1	Gear,CrankShaft			
7	17422024	1	Pulley CrankShaft			
8	17422027	1	Flywheel Assy			
8A	17422029	1	Gear,Ring Z=122			
9	13322065	4	Bolt			
10	53033012	4	Washer Grower DIN 127-12			



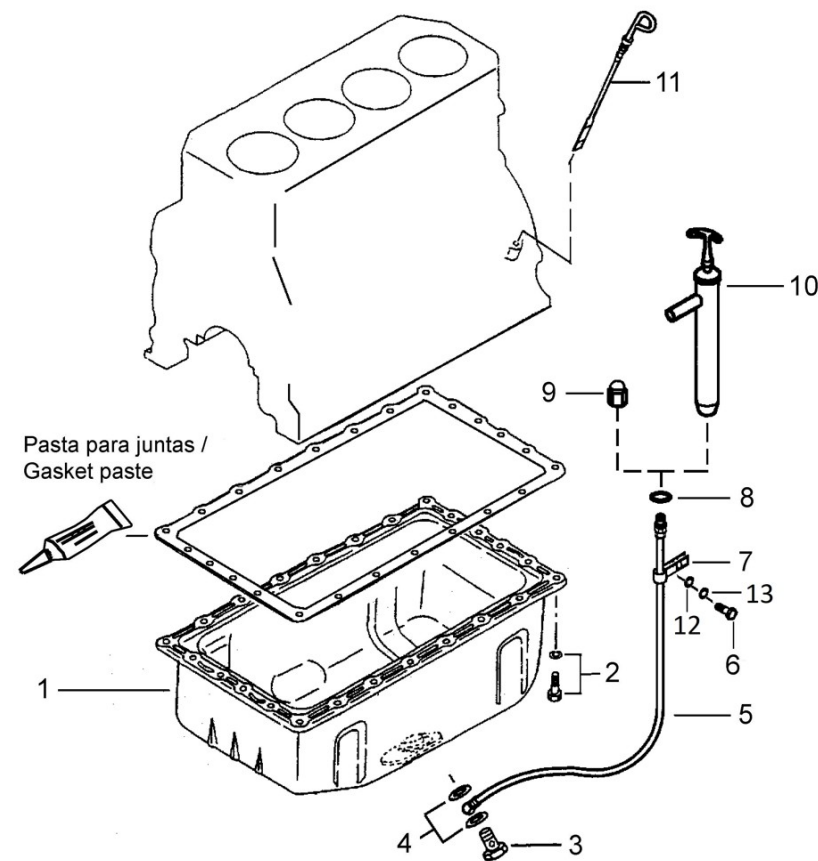
D_GG04_1_10		Oil System			
Fig.	Ref.	Qty.	Descr.	Obs	From UpTo
1	17424040	1	Pump Assy,Oil		
2	17424055	1	O-Ring D. 60X2		
3	17421012G.1	4	Bolt W/Washer (Generator)		
4	13122045	1	Nut		
5	17433010	1	Washer spring		
6	17424052	1	STrainer,Oil		
7	17424060	1	O-Ring D. 22X2,4		
8	17422037G.1	2	Bolt W/Washer (Generator)		
9	17124072	1	Valve, Assy		
10	17424063	1	Gasket		
11	17424065G	1	Cover,CRANKCase Side		
12	17424062.1	1	Gasket,Side Cover		
13	17424051	1	Oil Filter Element MINI-74/SM-82/94		
14	17424054	1	Union,Oil Filter		
15A	17427027G	1	SWITCH,Oil Pressure (Generator)		
Figure A for Standard System					
15B	60900979	1	Earth Isolated Oil Press Switch 0.5 Bar M10x1 SG		
Figure b for Parallel System					
16	17117052	1	Oil Pressure Sensor Adaptor		
17A	60900985	1	Pressure Sensor		
Figure A for Standard System					
17B	60900990	1	Sender, Oil Press 10 Bar Bipolar + Washer		
Figure b for Parallel System					
18	17821012	14	Bolt,W/Washer		



D_GG04_1_11

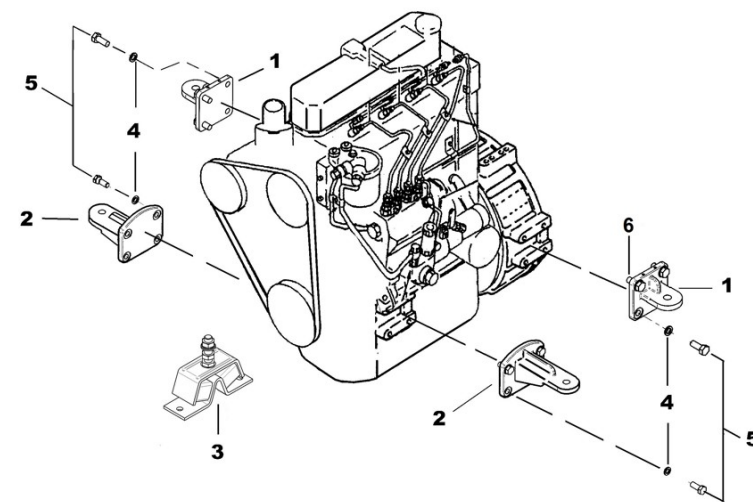
Oil Pan

Fig.	Ref.	Qty.	Descr.	Obs	From	UpTo
1	17420030	1	Oil PAN Assy			
2	17821012	24	Bolt,W/Washer			
3	12814051	1	Screw,eye			
4	56000069	2	Washer 14-20-1,5			
5	17114021	1	Extraction Hose			
6	52102360	1	Bolt DIN 933 M12-35 8.8			
7	17214022	1	Bracket, Pipe			
8	56000217	1	Washer 13-20-3			
9	16514020	1	Plug			
10	14714001	1	Oil Extraction Pump			
11	17420029	1	Gauge Oil LEVEL			
12	51030012	1	Washer DIN 125-12			
13	53033012	1	Washer Grower DIN 127-12			



D_GG04_1_12 Engine Brackets

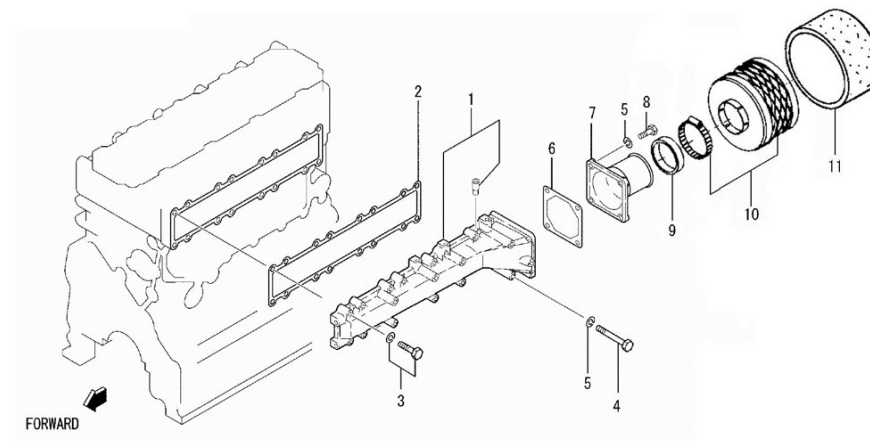
Fig.	Ref.	Qty.	Descr.	Obs	From	UpTo
1	17410002	2	Rear Bracket			
2	17410001	2	Front Bracket			
3	61682000.1	4	Engine Mount Type E 70 SHA M16 H 147			
4	53033012	16	Washer Grower DIN 127-12			
5	52102359	15	Bolt DIN 933 M12-30 8.8			
6	52102360	1	Bolt DIN 933 M12-35 8.8			



D_GG04_2_1

Inlet

Fig.	Ref.	Qty.	Descr.	Obs	From	UpTo
1	17421030	1	MANIFOld Assy,Inlet			
2	17421032	1	Gasket IN.MANIFOld			
3	17421014G.1	14	Bolt W/Washer (Generator)			
4	17421014G	2	Bolt (Generator)			
5	53033008	6	Washer GROWER DIN 127-8			
6	17421042	1	Gasket			
7	17421029	1	Pipe,Air Inlet			
8	52102258	4	Bolt DIN 933 M8-25 8.8			
9	17410032	1	Ring			
10	17410034	1	Air Filter			
11	17410031	1	Filter Element (Air Filter)			



D_GG04_3_1 Water Pump

Fig.	Ref.	Qty.	Descr.	Obs	From	UpTo
1A	17421020G	1	Fresh Water Assy (tube 10)			
1B	17421020G.1	1	Fresh Water Pump (tube Ø18)			
1C	17421020G.2	1	Fresh Water Pump			
2	17421041	1	Gasket,Side Cover			
3	17421039G.1	4	Bolt,W/Washer (Generator)			
4	17121021	1	Pulley,Water Pump			
5A	52102256	4	Bolt DIN 933 M8-16 8.8			
5B	51030008	4	Washer DIN 125-8			
5C	53033008	4	Washer GROWER DIN 127-8			
6	17421037G.1	1	Case Assy (Generator)			
7	17421016G.1	1	Gasket(Generator)			28/01/2020
7	17421016G.2	1	Gasket (Generator)		28/01/2020	
8	17821038	1	Bolt, Flange			
9	17821039	1	Bolt, Flange			
10	17421025G.1	1	Hose,BY-PASS (Generator)			
11	54081020	2	Clamp DIN 3017 20-32/9 W4			
12A	60900980	1	Temperature Sensor			
Figure A for Standard System						
12B	60900983	1	Bipolar Temperature Sender SG			
Figure b for Parallel System						
12C	56000073	1	Copper Washer 16-23-1,5			
13A	174270802	1	Temperature Switch			
Figure A for Standard System						
13B	60900973	1	High Coolant, 2 Poles 95° SG			
Figure b for Parallel System						
14	17121013	2	Gasket			
15	17111021	1	Gasket			
16	17121027	1	Thermostat			
17	17111020	1	Fitting,water outlet			
17A	13811035	1	Bolt,bleed			
17B	56000053	1	Washer 6-10-1,5			

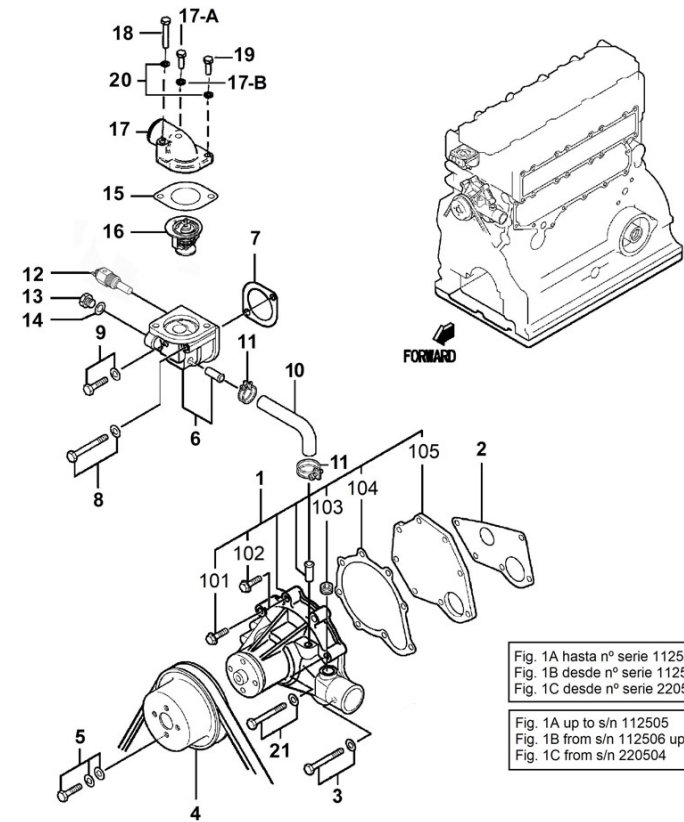


Fig. 1A hasta nº serie 112505
 Fig. 1B desde nº serie 112506 hasta 204640
 Fig. 1C desde nº serie 220504

Fig. 1A up to s/n 112505
 Fig. 1B from s/n 112506 up to 204640
 Fig. 1C from s/n 220504

D_GG04_3_1 Water Pump

Fig.	Ref.	Qty.	Descr.	Obs	From	UpTo
18	52101263	1	Bolt DIN 931 M8-50 8.8			
19	52102259	1	Bolt DIN 933 M8-30 8.8			
20	53038008	2	Washer DIN 6798-A 8			
21	17420062G.1	1	Bolt,W/Washer (Generator)			
101	17421026G	1	Bolt,Flange			
102	17821026	2	Bolt, Flange			
103	(*)	1	Not available			
104	17421022	1	Gasket,Pump Cover			
105	17421043	1	Cover,Water Pump			
NS	17121016	2	Plug, drain			

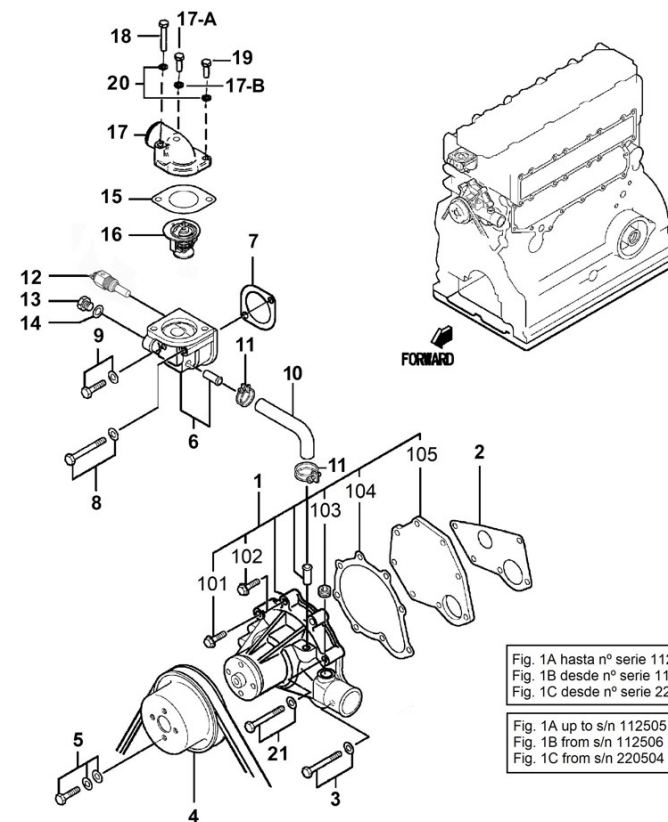
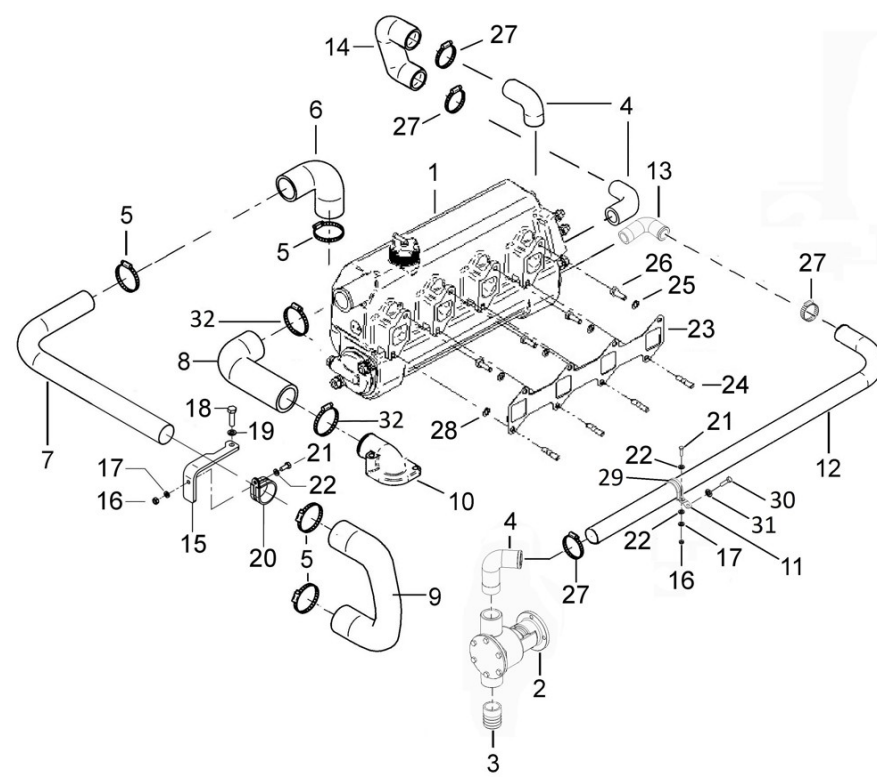


Fig. 1A hasta nº serie 112505
 Fig. 1B desde nº serie 112506 hasta 204640
 Fig. 1C desde nº serie 220504

Fig. 1A up to s/n 112505
 Fig. 1B from s/n 112506 up to 204640
 Fig. 1C from s/n 220504

D_GG04_3_2 Cooler Pipes

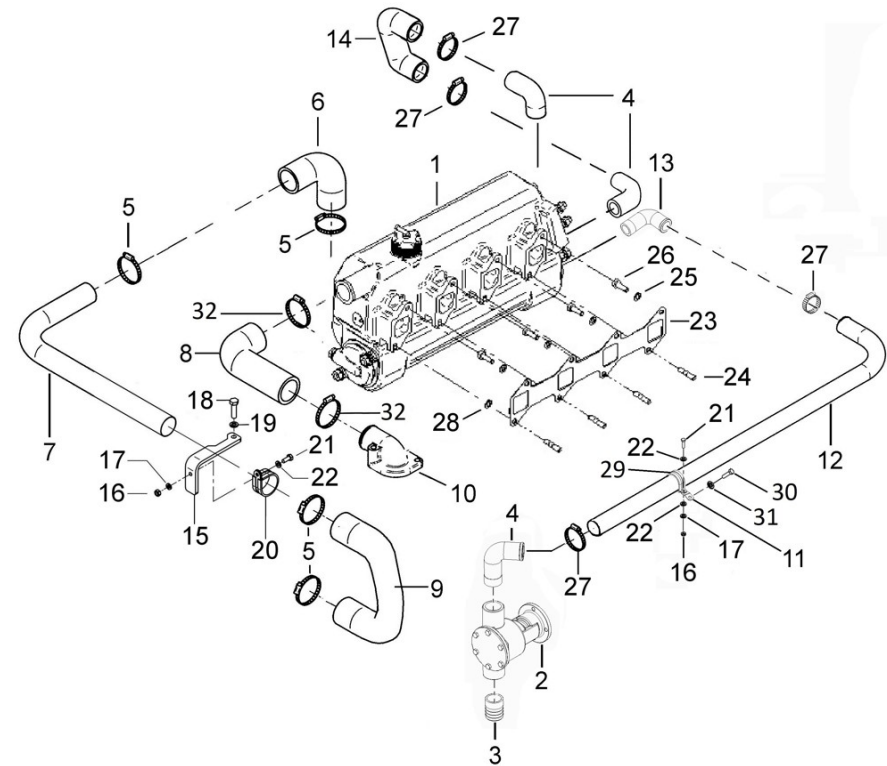
Fig.	Ref.	Qty.	Descr.	Obs	From	UpTo
1	17411000REC	1	Water Cooler Assy MINI-74			29/01/2018
1	17811003REC	1	Water Cooler Assy MINI-74		30/01/2018	
2	36511000	1	Cross Brace Pump from 74 to 616			
3	60180007	1	Outlet Coupling			
4	14711021	3	Elbow N°1			
5	54082032	4	Clamp DIN 3017 32-50/12 W4			
6	15211026	1	Elbow,rubber			
7	17011022	1	Pipe,from cooler to engine			
8	17411013	1	Thermostat Water Outlet Elbow			
9	16711016	1	Rubber Elbow			
10	17111020	1	Fitting,water outlet			
11	13211036	1	Pipe 30-40-100			
12	M87503242	1.0	Water Intake Hose (HQ) D. 32-42			
13	14711026	1	Elbow N°3			
14	17411034	1	Hose			
15	17511014	1	Bracket			
16	52120006	2	Nut DIN 934 M6 8.8			
17	53033006	2	Washer GROWER DIN 127-6			
18	52102259	1	Bolt DIN 933 M8-30 8.8			
19	53033008	1	Washer GROWER DIN 127-8			
20	59071383	1	Clamp TYP.1 38/15 W1			
21	52102157	2	Bolt DIN 933 M6-20 8.8			
22	51030006	3	Washer DIN 125-6			
23	17421035	1	Gasket,Exhaust Manifold			
24	13311006	4	Stud,cover			16/07/2018
24	14711008	4	Stud,cover		17/07/2018	
24	17411015	8	Stud			29/01/2018
25	52102258	4	Bolt DIN 933 M8-25 8.8		30/01/2018	
25	56000057	8	Washer 8-13-1,5			29/01/2018
26	53038008	4	Washer DIN 6798-A 8		30/01/2018	
26	55122008	8	Nut DIN 1587 M8			29/01/2018



Cooling System

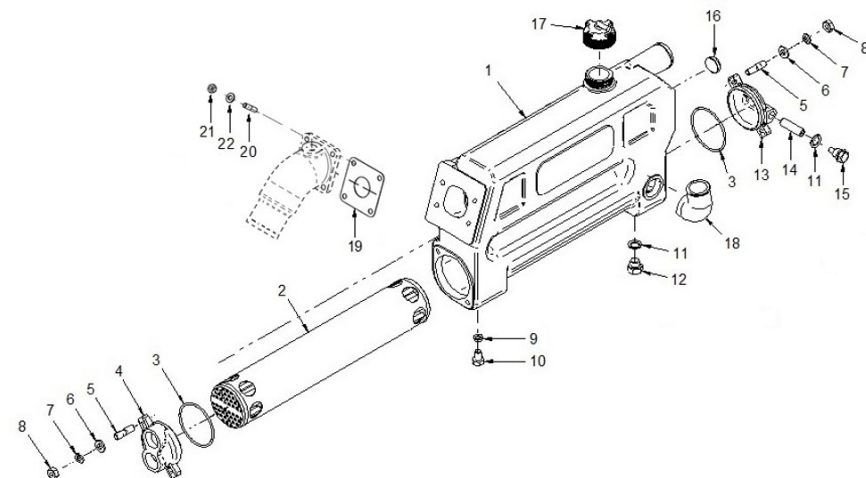
D_GG04_3_2 Cooler Pipes

Fig.	Ref.	Qty.	Descr.	Obs	From	UpTo
27	54082025	4	Clamp DIN 3017 25-40/12 W4			
28	51125008	4	Nut Exhaust		30/01/2018	
29	59071452	1	Clamp 1 42/15 W1			
30	52102307	1	Bolt DIN 933 M10-20 8.8			
31	53033010	1	Washer GROWER DIN 127-10			
32	54082040	2	Clamp DIN 3017 40-60/12 W4		10/12/2018	



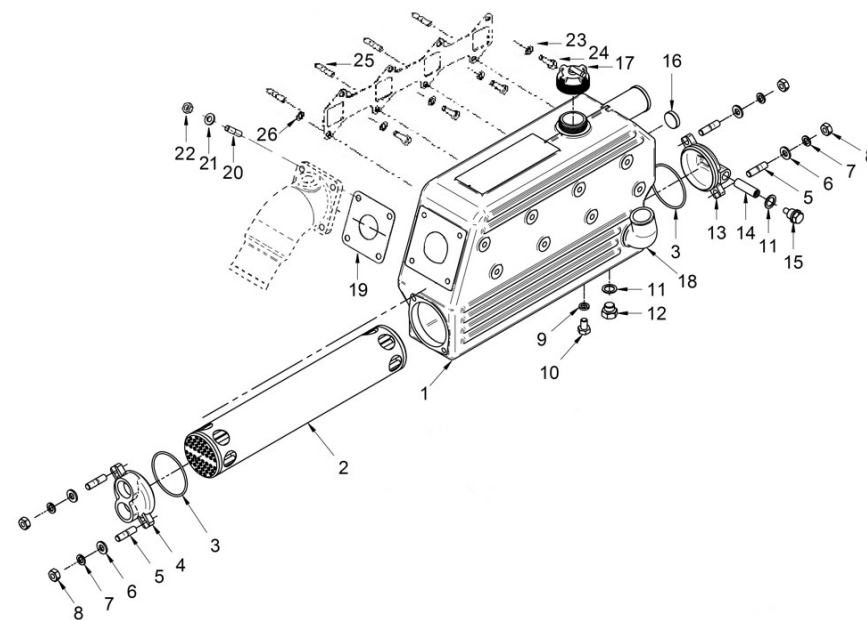
D_17811003REC Water Cooler Assy MINI-74 from 30/01/2018

Fig.	Ref.	Qty.	Descr.	Obs	From	UpTo
1	17811001	1	Body, Water Cooler			
2	18011004	1	Tubular Bundle			
3	18011008	2	O-Ring D. 72X3			
4	17411003	1	Water Cooler Cover			
5	16511007	4	Stud			
6	51030010	4	Washer DIN 125-10			
7	53033010	4	Washer GROWER DIN 127-10			
8	52120010	4	Nut DIN 934 M10 8.8			
9	56000205	1	Washer 10-16-3			
10	54102306	1	Bolt DIN 933 M10-16 INOX.			
11	56000073	2	Copper Washer 16-23-1,5			
12	12111076	1	Plug			
13	18011002	1	Water Cooler Cover			
14	18011031	1	Engine Anode 45 mm M.8			
15	18011009	1	Anode Plug			
16	12113092	1	Plug			
17	13811010	1	Cap			
18	17111011	1	Elbow 1 1/8"			
19	16513002	1	Exhaust Elbow Gasket			
20	19613016	4	Turbo Stud M8-M10			
21	54120008	4	Nut DIN 934 M8			
22	53033008	4	Washer GROWER DIN 127-8			
NS	17411040	1	Label MINI-74			



D_17411000REC Water Cooler Assy MINI-74 upto 29/01/2018

Fig.	Ref.	Qty.	Descr.	Obs	From	UpTo
1	17811001	1	Body, Warter Cooler			
2	18011004	1	Tubular Bundle			
3	18011008	2	O-Ring D. 72X3			
4	17411003	1	Water Cooler Cover			
5	16511007	4	Stud			
6	51030010	4	Washer DIN 125-10			
7	53033010	4	Washer GROWER DIN 127-10			
8	52120010	4	Nut DIN 934 M10 8.8			
9	56000205	1	Washer 10-16-3			
10	54102306	1	Bolt DIN 933 M10-16 INOX.			
11	56000073	2	Copper Washer 16-23-1,5			
12	12111076	1	Plug			
13	18011002	1	Water Cooler Cover			
14	18011031	1	Engine Anode 45 mm M.8			
15	18011009	1	Anode Plug			
16	12113092	1	Plug			
17	13811010	1	Cap			
18	17111011	1	Elbow 1 1/8"			
19	16513002	1	Exhaust Elbow Gasket			
20	19613016	4	Turbo Stud M8-M10			
21	53033008	4	Washer GROWER DIN 127-8			
22	54120008	4	Nut DIN 934 M8			
23	53038008	4	Washer DIN 6798-A 8			
24	52102258	4	Bolt DIN 933 M8-25 8.8			
25	14711008	4	Stud,cover			
26	51125008	4	Nut Exhaust			
NS	17411040	1	Label MINI-74			



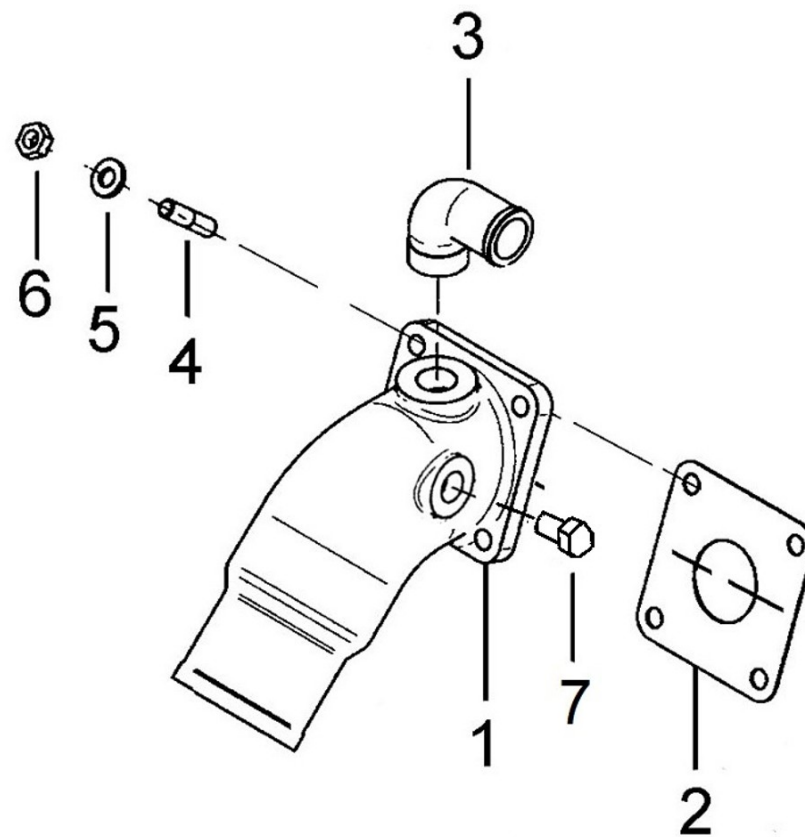
17411002C Body, Water Cooler And Cap						
Fig.	Ref.	Qty.	Descr.	Obs	From	UpTo
1	13311006	4	Stud,cover			
2	17411002C1	1	Body, Water Cooler And Cap			
3	51125008	4	Nut Exhaust			
4	52102258	4	Bolt DIN 933 M8-25 8.8			
5	53038008	4	Washer DIN 6798-A 8			

**IMAGEN
DISPONIBLE
PRÓXIMAMENTE**

**IMAGE AVAILABLE
COMING SOON**

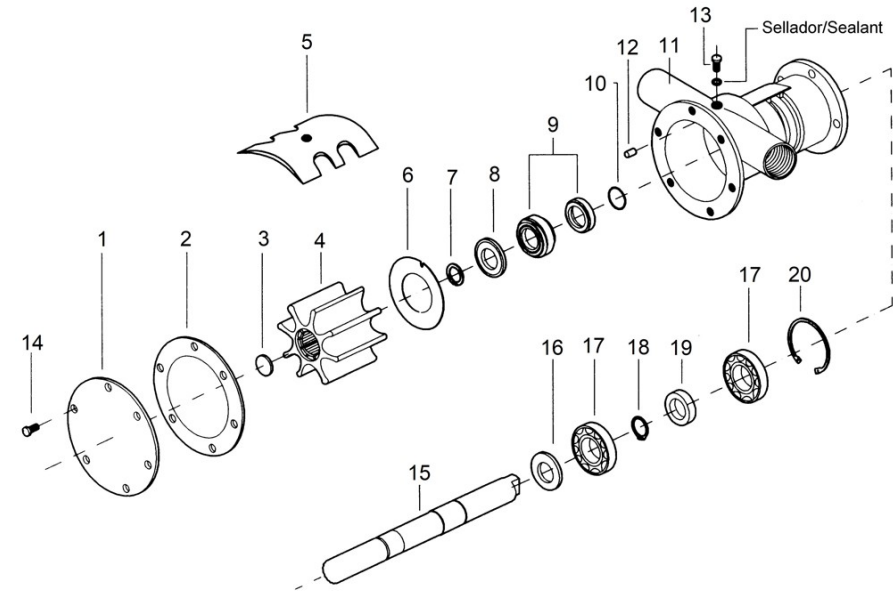
D_MI74_3_3 Wet Exhaust

Fig.	Ref.	Qty.	Descr.	Obs	From	UpTo
1	16613015	1	Elbow, wet exhaust			
2	16513002	1	Exhaust Elbow Gasket			
3	14711021	1	Elbow N°1			
4	16511007	4	Stud			30/05/2017
4	19613016	4	Turbo Stud M8-M10		31/05/2017	
5	53033008	4	Washer GROWER DIN 127-8		31/05/2017	
5	53033010	4	Washer GROWER DIN 127-10			30/05/2017
6	54120008	4	Nut DIN 934 M8		31/05/2017	
6	55120110	4	Nut DIN 934 M10			30/05/2017
7	55102405	1	Bolt DIN 933 M14-1,50-12 Brass		26/04/2024	



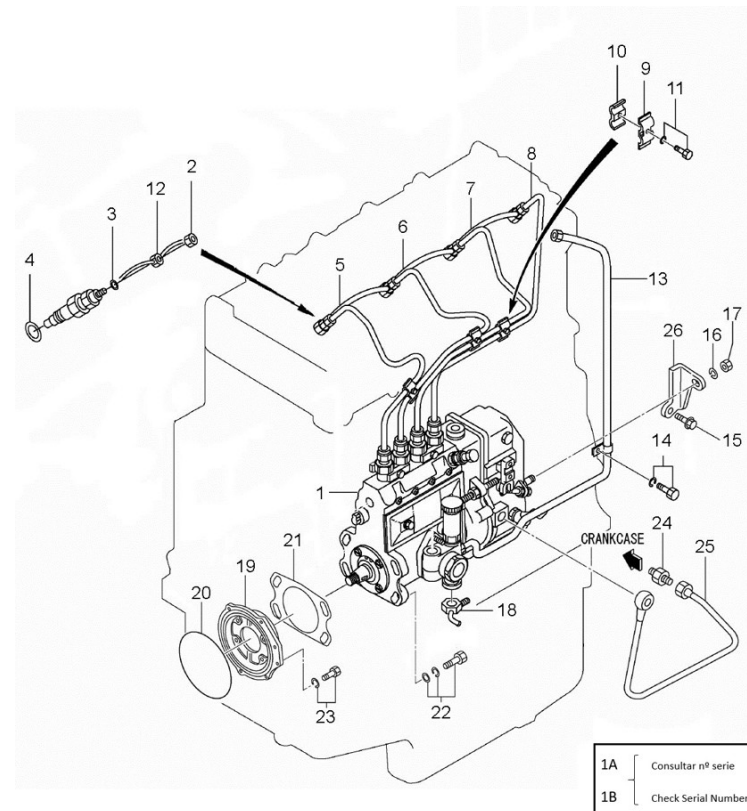
36511000 Cross Brace Pump from 74 to 616

Fig.	Ref.	Qty.	Descr.	Obs	From	UpTo
1	34711002	1	Cover Pump			
2	34711003	1	Gasket Cover			
3	34711041	1	Impeller Plug			
4	34711008	1	1" Impeller			
5	34711005	1	Cam			
6	34711026	1	Plate,Friction			
7	54040016	1	CIRClip E-16			
8	36511018	1	Washer,seal			
9	36511019	1	Seal			
10	33311013	1	O-Ring D. 15X2			
11	36511001	1	Body,water pump			
12	36511017	1	Pin,Dowel			
13	54108154	1	Bolt DIN 84 M6-10			
14	54102154	6	Bolt DIN 933 M6-10 INOX			
15	36511010	1	Shaft,pump			
16	36511015	1	Spacer 17X24X7			
17	33311014	2	Ball Bearing 6203			
18	53040017	1	Circlip DIN 471 E-17			
19	36511020	1	Seal 16-30-7			
20	53041040	1	Circlip DIN 472 I-40			



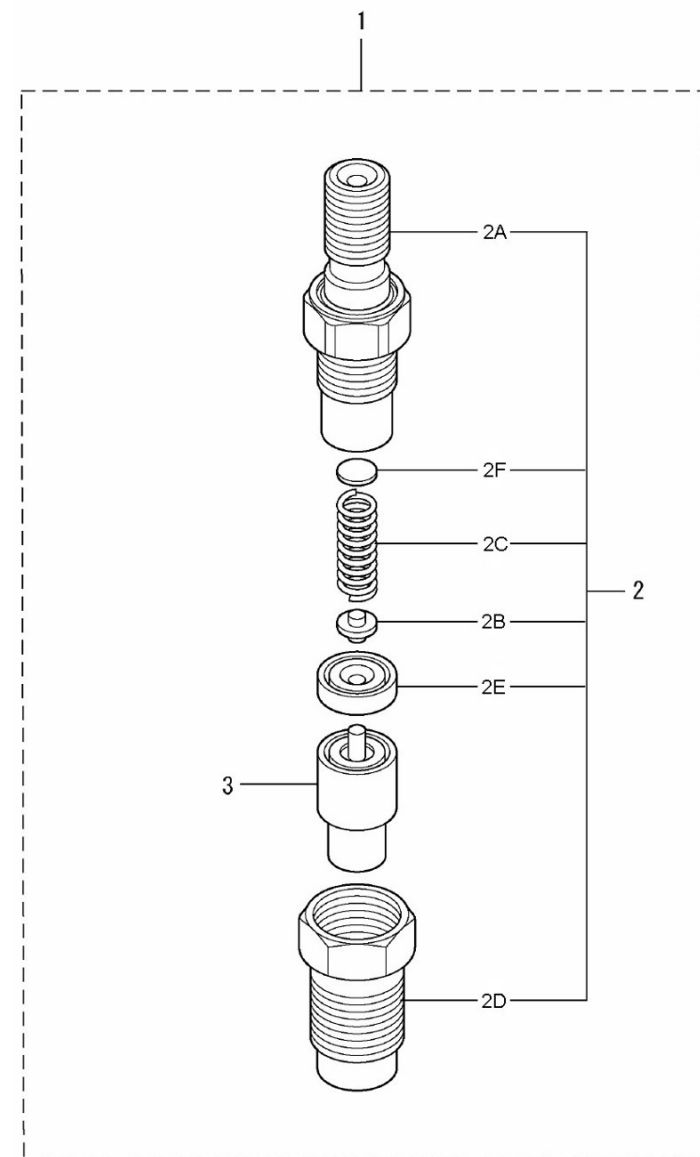
D_GG04_4_1 Fuel Pipe

Fig.	Ref.	Qty.	Descr.	Obs	From	UpTo
1A	17425001G	1	Pump Assy,Injection (Generator)			
1B	17425001G.2	1	Pump Assy,Injection (Generator)			
2	13824024	4	Nut			
3	17424025G.1	4	Gasket Fuel Return (Genset)			
4	13824013	4	Injector Washer			
5	17424015	1	Pipe Injection N.1			
6	17424016	1	Pipe Injection N.2			
7	17424019	1	Pipe Injection N.3			
8	17424022	1	Pipe Injection N.4			
9	17824011	3	Clamp			
10	17824012	3	Clamp			
11	17524025	3	Bolt,W/Washer			
12	17424004	1	Assy,Fuel Return			
13	17424005	1	Pipe,Fuel			
14	17424025G.2	1	Bolt			
15	17425036	1	Bolt,Flange			
16	53033008	1	Washer GROWER DIN 127-8			
17	17120049	1	Nut M8			
18	17424027	1	JOINT,EYE			
19	17425005	1	Flange,INJ.Pump			
20	17420047	1	O-Ring D. 140X2			
21	17425028	1	Gasket			
22	17425029	4	Bolt,W/Washer			
23	17721012	1	Bolt,W/Washer			
24	17424032	1	Connector			
25	17424033	1	Pipe,Oil			
26	17424034	1	Bracket,INJ.Pump			



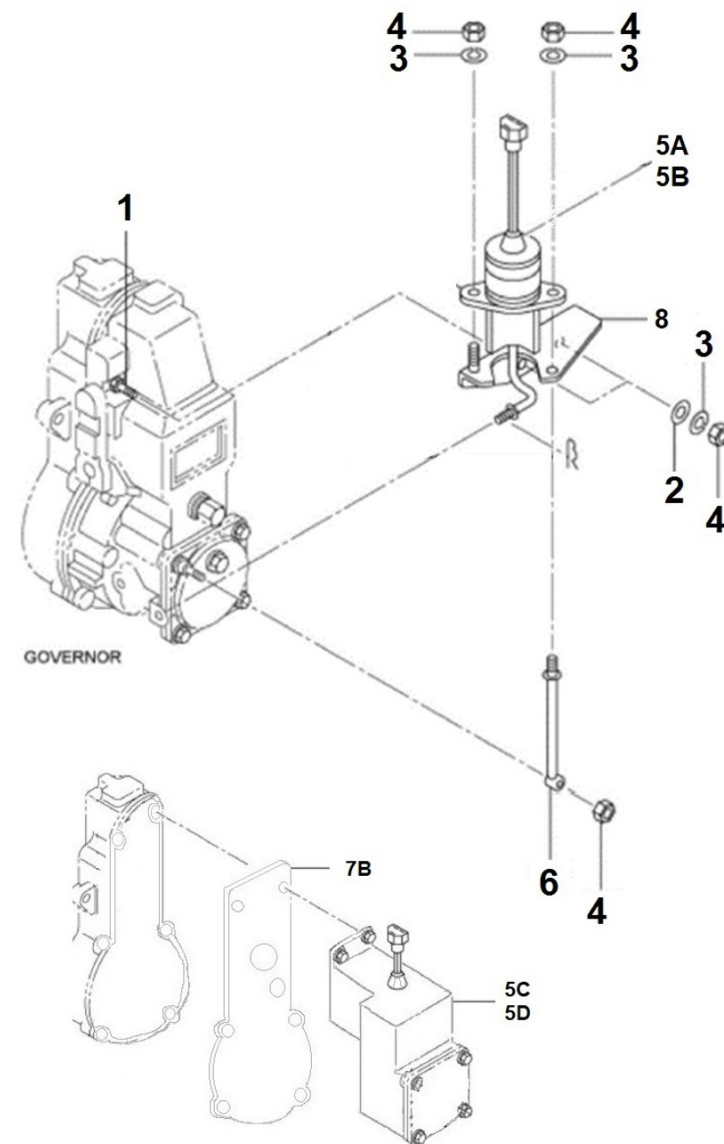
D_GG04_4_2 Injection Nozzle

Fig.	Ref.	Qty.	Descr.	Obs	From	UpTo
1	13826001	4	Nozzle & Holder A			
2	17426003	4	Fuel Injector			
2A	13826002	4	Body Assy			
2B	13826003	4	Pin Pressure			
2C	17226004	4	Spring, Pressure			
2D	17426006	4	Nut			
2E	13826007	4	PIECE DISTANCE			
2FA	13826010	4	Washer 1,25			
2FB	13821029	4	Pipe Intake			
2FC	13826012	4	Washer 1,35			
2FD	13826013	4	Washer 1,40			
2FE	13826014	4	Washer 1,45			
2FF	13826015	4	Washer 1,50			
2FG	13826016	4	Washer 1,55			
2FH	13826017	4	Washer 1,60			
2FI	13826019	4	Washer 1,65			
2FJ	13826020	4	Washer 1,70			
3	13826018	4	Nozzle Assy			



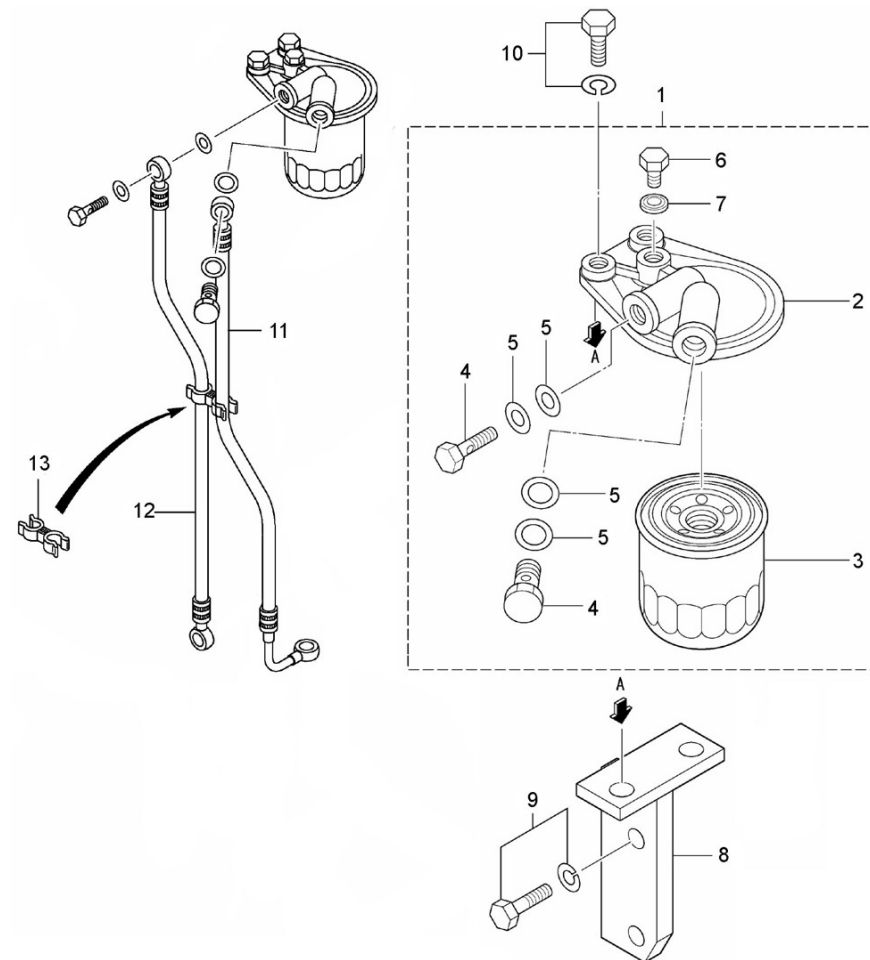
D_GG04_4_4 Governor Parts

Fig.	Ref.	Qty.	Descr.	Obs	From	UpTo
1	17427003G	2	Rod,Solenoid			
2	51030006	2	Washer DIN 125-6			
3	53033006	4	Washer GROWER DIN 127-6			
4	17223032	5	Nut			
5A	17424025G	1	Solenoid			
Figure A for 12V System						
5B	17425264.2	1	Solenoid 24V			
Figure b for 24V System						
5C	60972516	1	G.A.C 175 Series 12V Integrated Actuator			
Figure C for Parallel System 12V						
5D	60972520	1	G.A.C. 175 Series 24V Integrated Actuat.			
Figure D for Parallel System 24V						
6	17427006G	1	ROD,Support			
7B	60972518	1	Assembly kit for 175 series actuator			
Figure b for Parallel System						
8	17427005G	1	Bracket			



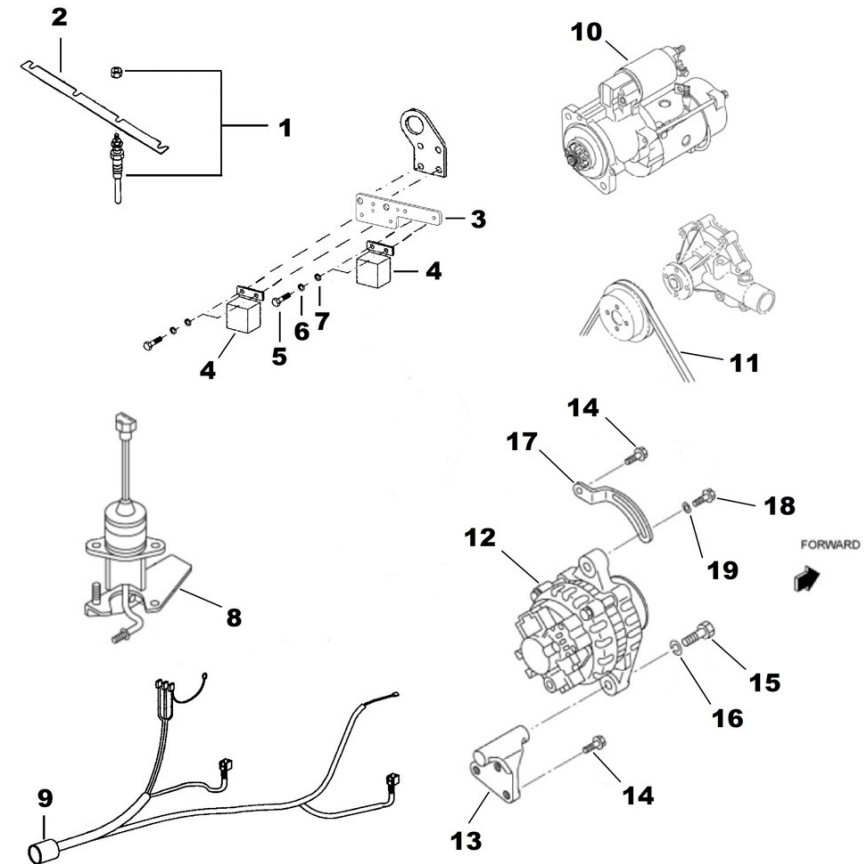
D_GG04_4_5 Fuel Supply Parts

Fig.	Ref.	Qty.	Descr.	Obs	From	UpTo
1	17424020	1	Fuel Filter Assy			
2	17424001	1	Bracket,Fuel Filter			
3	17414022	1	Fuel Filter Element MINI-74 SM-105			
4	17424003	2	Bolt,EYE			
5	17424008	4	Washer,Sealing			
6	13324072	1	Plug			
7	13324011	1	Washer			
8	17424002	1	Bracket,Fuel Filter			
9	17421012G.1	2	Bolt W/Washer (Generator)			
10	17120062	2	Bolt,w/washer			
11	17414006	1	Joint			
12	17424007	1	Hose,Fuel			
13	17424026	1	Clamp,Pipe			



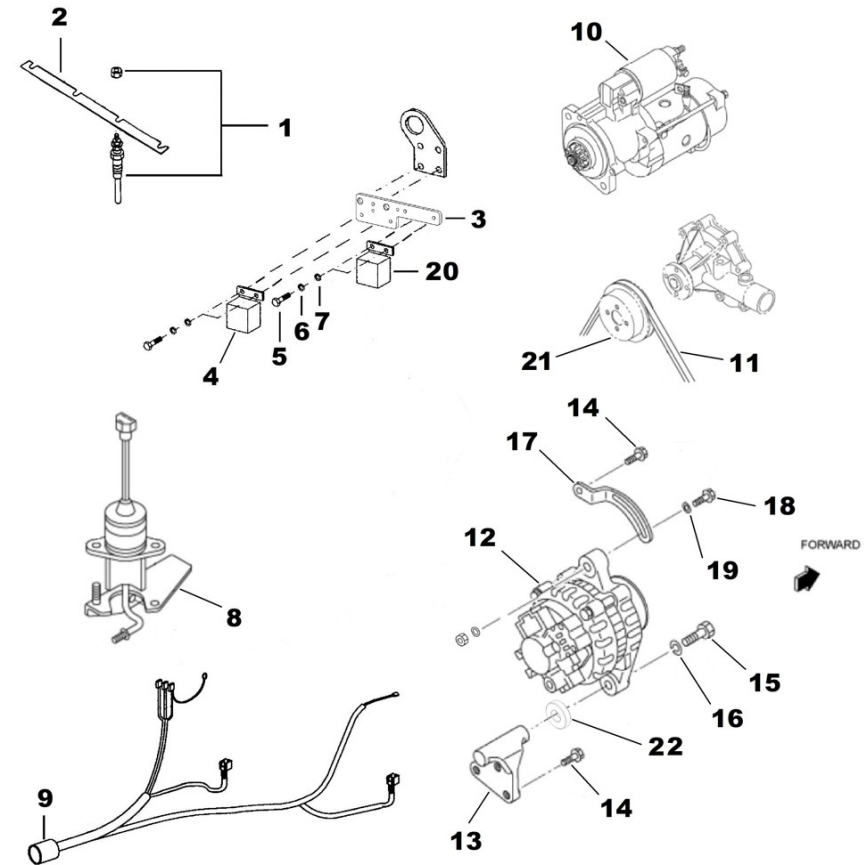
D_MI74GSTST_05_1 Electrical System 12V

Fig.	Ref.	Qty.	Descr.	Obs	From	UpTo
1	17127017	4	Plug, glow			
2	17427018	1	Plate Glow Plug			
3	17417001	1	Support, Relay			
4	17527005	2	Relay 12V 200A			
5	52102154	4	Bolt DIN 933 M6-10 8.8			
6	51030006	4	Washer DIN 125-6			
7	53033006	4	Washer GROWER DIN 127-6			
8	17424025G	1	Solenoid			
9	60974504	1	MINI-74 Electrical Wiring Genset			
10	17427001G.1	1	Starter Assy 12 V			
11	17430010	1	Belt			
12	17427011G	1	Alternator 12V/50A			
13	17B21144	1	Bracket,Alternator			
14	17425036	3	Bolt,Flange			
15	17427004G.1	1	Bolt (Generator)			
16	17433010	1	Washer spring			
17	17427007G.1	1	Plate,Adjusting (Generator)			
18	13827012	1	Bolt			
19	51031008	1	Washer DIN 9021 8			
NS	13817011	1	Bracket			
NS	60900028	2	Diode 25A Studded cathode type DSI			



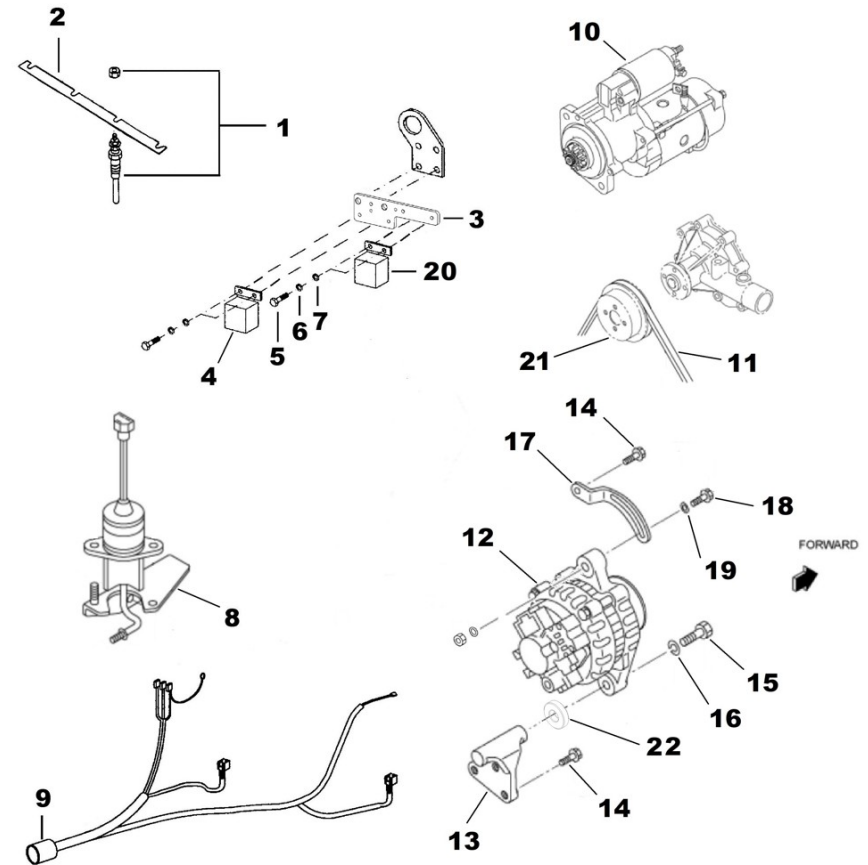
D_MI74GSTST_05_2 Electrical System 24V

Fig.	Ref.	Qty.	Descr.	Obs	From	UpTo
1	17527017.2	4	Glow Plug 24V			
2	17427018	1	Plate Glow Plug			
3	17417001	1	Support, Relay			
4	17417005	1	Relay 24V 24-100			
5	52102154	4	Bolt DIN 933 M6-10 8.8			
6	51030006	4	Washer DIN 125-6			
7	53033006	4	Washer GROWER DIN 127-6			
8	17425264.2	1	Solenoid 24V			
9	60974504	1	MINI-74 Electrical Wiring Genset			
10	17527001.2	1	Starter Assy 24V			
11	17430010	1	Belt			
12	17417024	1	Alternator 28V/55A			
13	17427002.2	1	Bracket,Alternator			
14	17425036	2	Bolt,Flange			
15	52202310	2	Bolt DIN 933 M10-1,25-35 8.8			
16	53033010	2	Washer GROWER DIN 127-10			
17	17427007	1	Plate,Adjusting			
18	52102260	1	Bolt DIN 933 M8-35 8.8			
19	51031008	1	Washer DIN 9021 8			
20	17527006	1	Glow Relay 24V			
21	17417020	1	Pulley Alternator			
22	17617006	1	Spacer 6,5X12X5			
NS	13527018	1	Connector Assy 2-			
NS	13827003	2	Connector			
NS	13827004	2	Connector			
NS	51030008	1	Washer DIN 125-8			
NS	51030010	2	Washer DIN 125-10			
NS	52102156	1	Bolt DIN 933 M6-16 8.8			
NS	52120008	1	Nut DIN 934 M8 8.8			
NS	53033008	1	Washer GROWER DIN 127-8			
NS	60900063	2	Insulator Cap Faston 6.3			



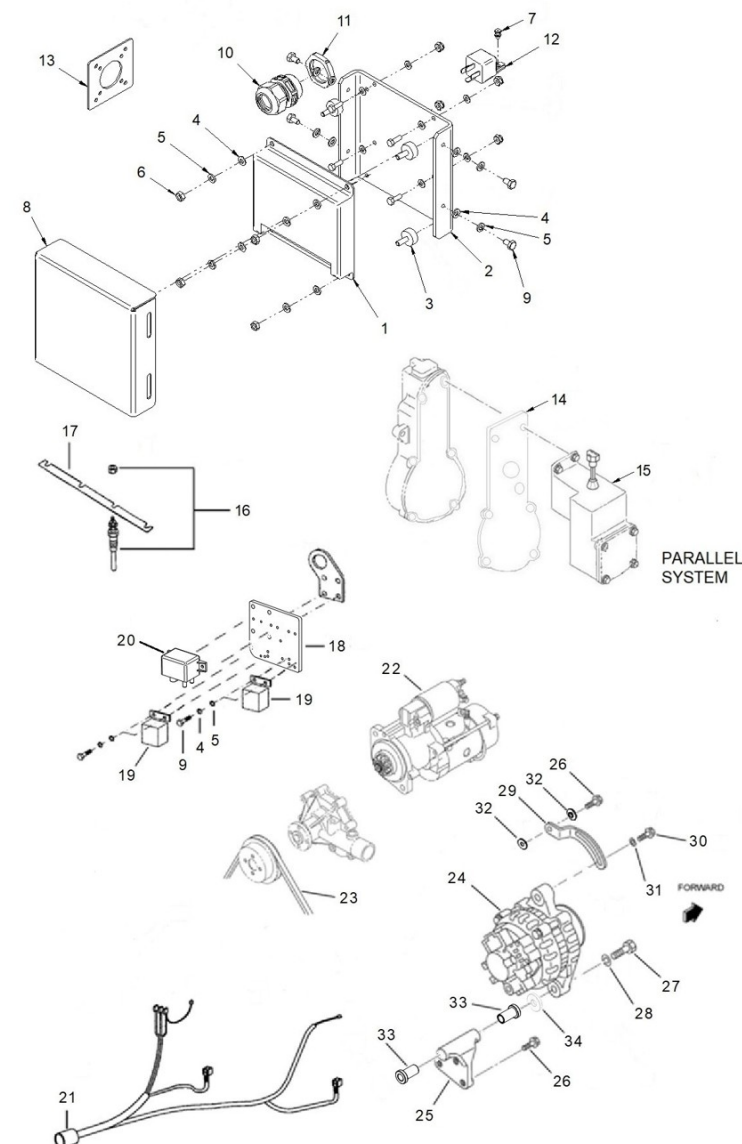
D_MI74GSTST_05_2 Electrical System 24V

Fig.	Ref.	Qty.	Descr.	Obs	From	UpTo
NS	TFH.1M.6.3.08	4	Straight Receptacle 1 Sec. Faston			



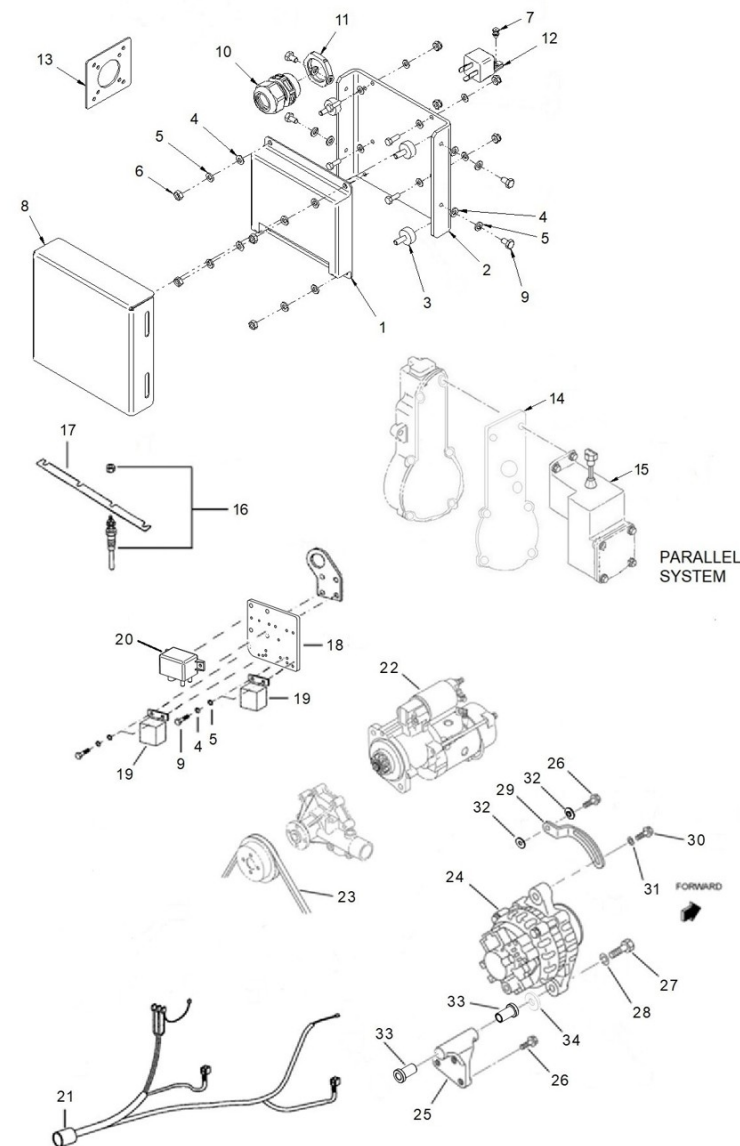
D_MI74GSTST_05_3 Parallel Electrical System 12V

Fig.	Ref.	Qty.	Descr.	Obs	From	UpTo
1	60972521	1	Speed Control Unit G.A.C. ESD-5500 Ser.			
2	17317007	1	Electronic Unit Bracket			
3	17A14009	4	Anti Vibration Mount M6			
4	51030006	18	Washer DIN 125-6			
5	53033006	14	Washer GROWER DIN 127-6			
6	52120006	6	Nut DIN 934 M6 8.8			
7	52102156	1	Bolt DIN 933 M6-16 8.8			
8	17317008	1	Parallel electronic unit cover			
9	52102154	8	Bolt DIN 933 M6-10 8.8			
10	60900310	1	Connector Press CAPTOR-2000 M32 RAL7001			
11	60900311	1	Screw Connector Press Captor-2000 M32			
12	63900028	1	Relay 12V 20/30A NO+NC			
13	60573041.25G	1	Connector Adapter Parallel			
14	60972518	1	Assembly kit for 175 series actuator			
15	60972516	1	G.A.C 175 Series 12V Integrated Actuator			
16	17127017	4	Plug, glow			
17	17427018	1	Plate Glow Plug			
18	17417107	1	Support Relay,Plate			
19	17527005	2	Relay 12V 200A			
20	17424025G	1	Solenoid			
20	19017113	1	Relay 12V Earth Isolated Nagares			
21	60974203G	1	MINI-74 E. Wiring G.EARTH ISOLATED COMAP			
22	17427001G.1	1	Starter Assy 12 V			
23	17430010	1	Belt			
24	17427011G	1	Alternator 12V/50A			
25	17B21144	1	Bracket,Alternator			
26	17425036	3	Bolt,Flange			
27	17427004G.1	1	Bolt (Generator)			
28	17433010	1	Washer spring			
29	17427007G.2	1	Plate, Adjusting Generator - 2-PoleS			
30	13827012	1	Bolt			



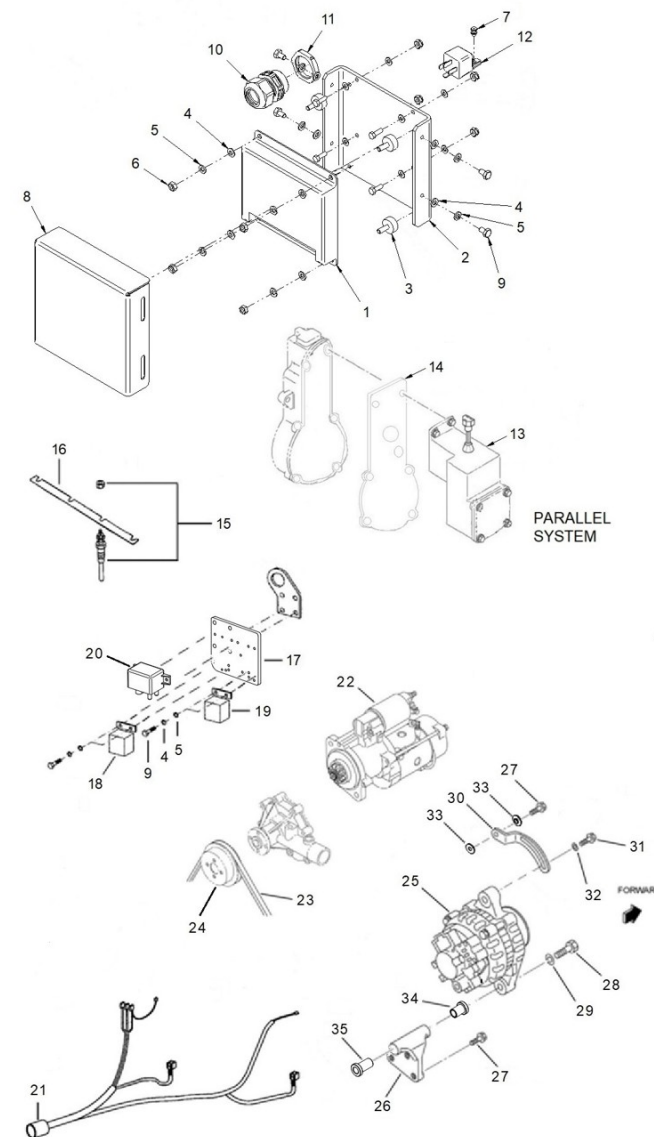
D_MI74GSTST_05_3 Parallel Electrical System 12V

Fig.	Ref.	Qty.	Descr.	Obs	From	UpTo
31	51031008	1	Washer DIN 9021 8			
32	17117012	2	Tensor Bakelite Bushing			
33	17117011	1	Bracket Bakelite Bushing			
34	17217015	1	Spacer 8,5X22X3,5			
NS	13817011	1	Bracket			
NS	51030008	4	Washer DIN 125-8			
NS	51030010	4	Washer DIN 125-10			
NS	52101325	1	Bolt DIN 931 M10-120 8.8			
NS	52102258	4	Bolt DIN 933 M8-25 8.8			
NS	52120010	1	Nut DIN 934 M10 8.8			
NS	53033010	1	Washer GROWER DIN 127-10			
NS	56000069	1	Washer 14-20-1,5			
NS	56000073	2	Copper Washer 16-23-1,5			
NS	60900028	2	Diode 25A Studded cathode type DSI			
NS	60900158	2	Terminal Tubular Sleeve (1.5)			
NS	60900910.3	2	Faston Terminal Inclined			
NS	60900973	1	High Coolant, 2 Poles 95° SG			
NS	60900979	1	Earth Isolated Oil Press Switch 0.5 Bar M10x1 SG			
NS	60900983	1	Bipolar Temperature Sender SG			
NS	60900990	1	Sender, Oil Press 10 Bar Bipolar + Washer			
NS	60900999.1	2	Connection M14X1,5 5/8" EXA.19 L=25			
NS	60972517	1	Connector for actuator Packard type			
NS	60974205	1	35 GT/GTC Parallel Auxiliary Installation Mitsubishi			31/05/2023
NS	60974229	1	Auxiliary Installation Parallel Genset		01/06/2023	
NS	60975048	1	Mass Black To Wiring Start			



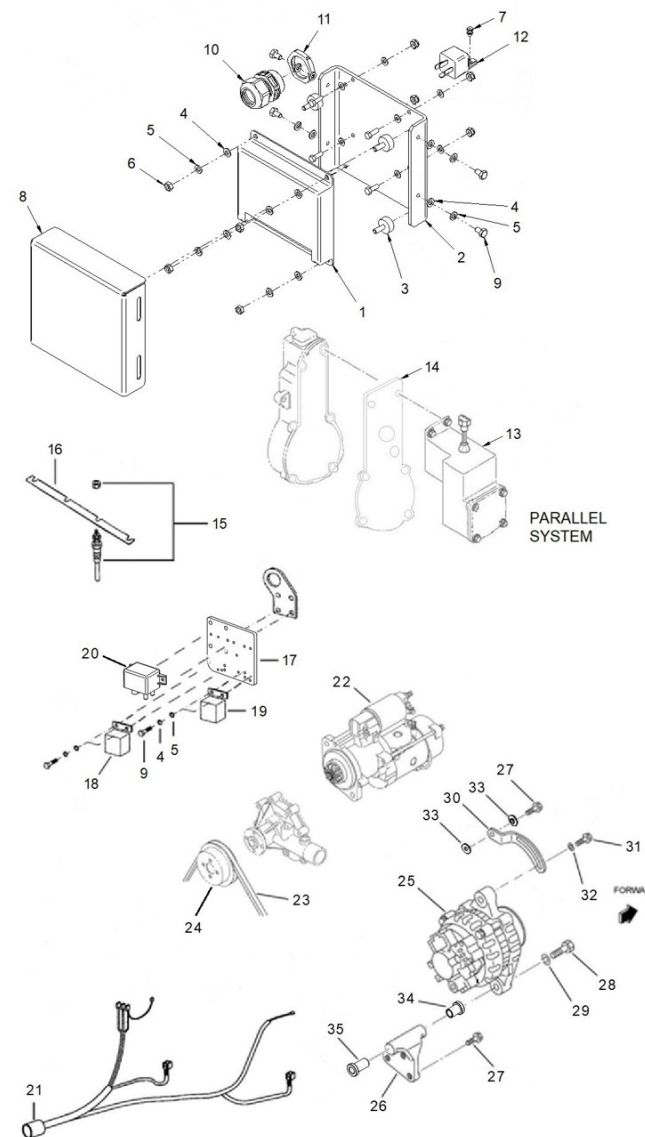
D_MI74GSTST_05_4 Parallel Electrical System 24V

Fig.	Ref.	Qty.	Descr.	Obs	From	UpTo
1	60972521	1	Speed Control Unit G.A.C. ESD-5500 Ser.			
2	17317007	1	Electronic Unit Bracket			
3	17A14009	4	Anti Vibration Mount M6			
4	51030006	8	Washer DIN 125-6			
5	53033006	8	Washer GROWER DIN 127-6			
6	52120006	4	Nut DIN 934 M6 8.8			
7	52102156	1	Bolt DIN 933 M6-16 8.8			
8	17317008	1	Parallel electronic unit cover			
9	52102154	8	Bolt DIN 933 M6-10 8.8			
10	60900310	1	Connector Press CAPTOR-2000 M32 RAL7001			
11	60900311	1	Screw Connector Press Captor-2000 M32			
12	63900029	1	Relay 24V 10/20A NO+NC			
13	60972520	1	G.A.C. 175 Series 24V Integrated Actuat.			
14	60972518	1	Assembly kit for 175 series actuator			
15	17527017.2	4	Glow Plug 24V			
16	17427018	1	Plate Glow Plug			
17	17417107	1	Support Relay,Plate			
18	17417005	1	Relay 24V 24-100			
19	17527006	1	Glow Relay 24V			
20	19017114	1	Relay 24V Earth Isolated Nagares			
21	60974504	1	MINI-74 Electrical Wiring Genset			
22	17527001.2	1	Starter Assy 24V			
23	17430010	1	Belt			
24	17417020	1	Pulley Alternator			
25	17417024	1	Alternator 28V/55A			
26	17427002.5	1	Alternator Bracket, Earth Isolated			
27	17425036	2	Bolt,Flange			
28	52202310	2	Bolt DIN 933 M10-1,25-35 8.8			
29	53033010	2	Washer GROWER DIN 127-10			
30	17427007.1	1	Plate,Adjusting			
31	52102260	1	Bolt DIN 933 M8-35 8.8			



D_MI74GSTST_05_4 Parallel Electrical System 24V

Fig.	Ref.	Qty.	Descr.	Obs	From	UpTo
32	51031008	1	Washer DIN 9021 8			
33	17117012	2	Tensor Bakelite Bushing			
34	19017111	1	Bracket Bakelite Bushing			
35	17117011	1	Bracket Bakelite Bushing			
NS	13527018	1	Connector Assy 2-	[NS]		
NS	13827003	2	Connector	[NS]		
NS	13827004	2	Connector	[NS]		
NS	17617006	1	Spacer 6,5X12X5	[NS]		
NS	51030008	4	Washer DIN 125-8	[NS]		
NS	51030010	2	Washer DIN 125-10	[NS]		
NS	52101261	1	Bolt DIN 931 M8-40 8.8	[NS]		
NS	52101325	1	Bolt DIN 931 M10-120 8.8	[NS]		
NS	52102106	1	Bolt DIN 933 M5-15 8.8	[NS]		
NS	52102258	4	Bolt DIN 933 M8-25 8.8	[NS]		
NS	52120010	1	Nut DIN 934 M10 8.8	[NS]		
NS	56000069	2	Washer 14-20-1,5	[NS]		
NS	56000073	2	Copper Washer 16-23-1,5	[NS]		
NS	60900063	2	Insulator Cap Faston 6.3	[NS]		
NS	60900973	1	High Coolant, 2 Poles 95° SG	[NS]		
NS	60900979	1	Earth Isolated Oil Press Switch 0.5 Bar M10x1 SG	[NS]		
NS	60900983	1	Bipolar Temperature Sender SG	[NS]		
NS	60900990	1	Sender, Oil Press 10 Bar Bipolar + Washer	[NS]		
NS	60900999.1	2	Connection M14X1,5 5/8" EXA.19 L=25	[NS]		
NS	60972517	2	Connector for actuator Packard type	[NS]		
NS	60972519	1	Magnetic Speed Sensor	[NS]		
NS	60974205	1	35 GT/GTC Parallel Auxiliary Installation Mitsubishi	[NS]		31/05/2023
NS	60974229	1	Auxiliary Installation Parallel Genset	[NS]	01/06/2023	
NS	60975048	1	Mass Black To Wiring Start	[NS]		



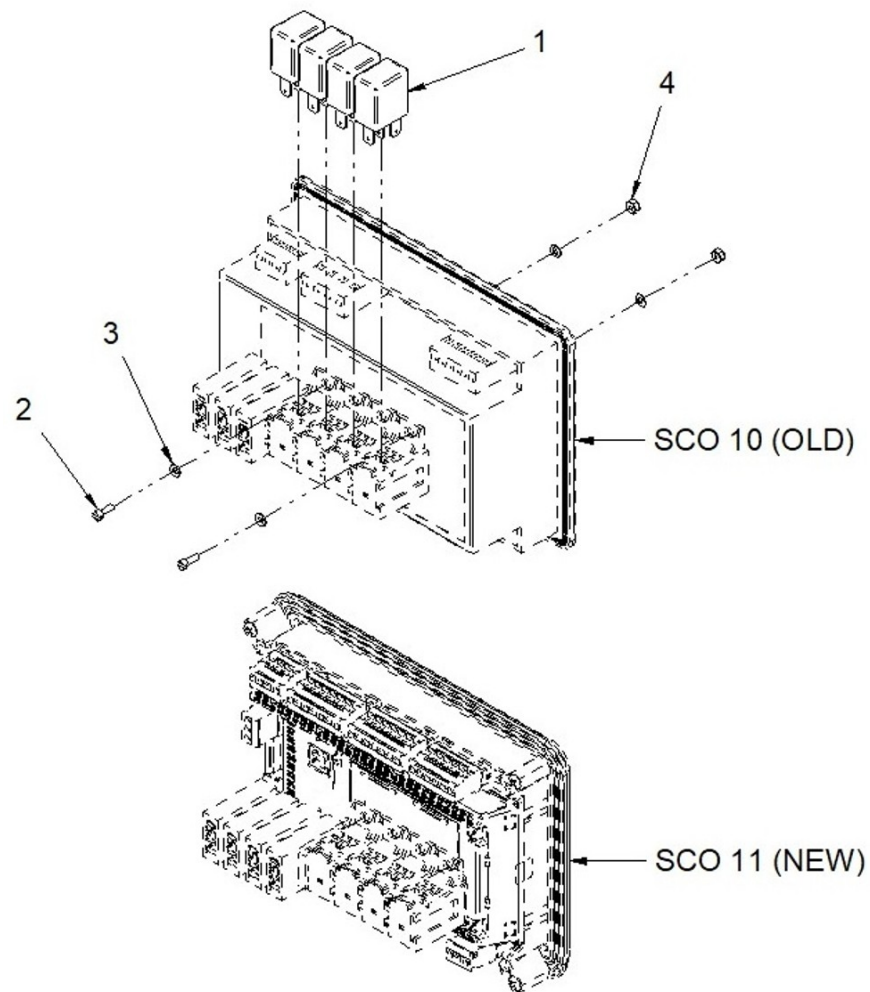
D_MI74GTST_05_5 Panels for Genset

Fig.	Ref.	Qty.	Descr.	Obs	From	UpTo
1A	62974230ST	1	Panel SCO 11 35 GTC ETR 12V 230V			
1B	62974230ST.2	1	Panel SCO 11 35 GTC 230V 24V			
1C	62974240ST.18	1	Panel SCO 11 40 GTAC ETR 12V 240V			
1D	62974240ST.2.18	1	Panel SCO 11 40 GTAC 240V 24V			
1E	62974400.2S	1	Panel SCO 11 35 GTC ETR 24V 400/230V			
1F	62974400.2S.18	1	Panel SCO 11 40 GTAC 24V			
1G	62974400S	1	Panel SCO 11 35 GTC ETR 12V 400/230V			
1H	62974400S.18	1	Panel SCO 11 40 GTAC ETR 12V 480/277V			
1I	62974230.2S	1	Panel SCO 11 29 GSC 24V 230V			
1J	62974230S	1	Panel SCO 11 29 GSC ETR 12V 230V			
1K	62974230.2S.18	1	Panel SCO 11 32 GSAC 24V			
1L	62974230S.18	1	Panel SCO 11 32 GSAC ETR 12V 240V			



D_PANELGRUPO1_01 Spare Parts List for Generator Panel

Fig.	Ref.	Qty.	Descr.	Obs	From	UpTo
1A	60900091	4	MICRO Relay 12V 12-20			
Figure A for 12V System						
1B	60900092	4	MICRO Relay 24V 24-10			
Figure b for 24V System						
2	54108003	2	Bolt DIN 84 M3-8 INOX.			
3	51030003	4	Washer DIN 125-3			
4	52120003	2	Nut DIN 934 M3 8.8			
NS	60972106	1	System Back Panel			
NS	60972124	1	SCO 10 Panel Screw Bracket			
NS	62900001	1	Rail Guide For Modular Micro Relay Holder - Fusible		31/03/2023	
NS	62972123	1	Electrical System Back Panel SCO 11			
NS	62972124	1	SCO 11 Pamel Screw Bracket			



D_MI74GTST_11_1 Electrical Box for Parallel

Fig.	Ref.	Qty.	Descr.	Obs	From	UpTo
1A	60971569	1	Kit Paral. 40 GTA 480/277V Cont/Pow 12V			
1B	60971571	1	Kit Paral. 40 GTA 480/277V Cont/Pow 24V			
1C	60971573	1	Kit Paral. 40 GTA 240V Cont/Pow 12V			
1D	60971575	1	Kit Paral. 40 GTA 240V Cont/Pow 24V			
1F	60974530	1	Kit Paral. 35 GT 400/230V Cont/Pow 12V			
1G	60974531	1	Kit Paral. 35 GT 230V Cont/Pow 12V			
1H	60974536	1	Kit Paral. 35 GT 400/230V Cont/Pow 24V			
1I	60974537	1	Kit Paral. 35 GT 230V Cont/Pow 24V			
1J	60974509	1	Kit Parallel 29 GS/GSC 230V Control/Pow 12V			
1K	60971563	1	Kit Paral. 29 GS 230V Cont/Pow 24V			
1L	60971565	1	Kit Paral. 32 GSA 240V Cont/Pow 12V			
1M	60971567	1	Kit Paral. 32 GSA 240V Cont/Pow 24V			



D_W1C1_1_1		Genset Extension				
Fig.	Ref.	Qty.	Descr.	Obs	From	UpTo
1A	60938210I	1	Genset Wiring Ext. 3 M. CPC			
1B	60985210I	1	Genset Wiring Ext. 4 M. CPC			
1C	60938221	1	Genset Wiring Ext. 6 M. CPC			
1D	60938212	1	Genset Wiring Ext. 8 M. CPC			
1E	60985210.12I	1	Genset Wiring Ext. 12 M. CPC			
1F	60985210.18I	1	Genset Wiring Ext. 18 M. CPC			
1G	60985210.24I	1	Genset Wiring Ext. 24 M. CPC			
1H	60985210.30I	1	Genset Wiring Ext. 30 M. CPC			
1I	60974552	1	3-way Wiring Wxtension for Auxiliary Kits 4 m			
1J	60900165	1	3-way Wiring Extension for Auxiliary Kits 6 m			
1K	60900166	1	3-way Wiring Extension for Auxiliary Kits 12 m			
1L	60900167	1	3-way Wiring Extension for Auxiliary Kits 24 m			
1M	60972104	1	Double Panel SCO 12 M. Harness			
1N	60972105	1	Double Panel SCO 24 M. Harness			
1O	60972110	1	Double Panel SCO 36 M. Harness			
1P	60972145	1	Double Panel SCO 45 M. Harness			



D_W1C1_1_2 Parallel Genset Extension

Fig.	Ref.	Qty.	Descr.	Obs	From	UpTo
1A	6097A223	1	Wiring extensions Electronic Actuator Genset SCO Pan		01/06/2023	
1B	6097A224	1	Wiring extensions Electronic Actuator Genset SCO Pan		01/06/2023	
1C	6097A221	1	Wiring Extension for Parallel Control and Power Gens		01/06/2023	
1D	6097A222	1	Wiring Extension for Parallel Control and Power Gens		01/06/2023	
1E	60974221	1	Wiring Extension 25/35/50/68 GT 6 m Electronic Actua			31/05/2023
1F	60974219	1	Wiring Extension 25/35/50/68 GT 12 m Electronic Actua			31/05/2023
1G	60974206	1	Wir.Ext. 25/35/50/68 GT Prep. Paral.6M			31/05/2023
1H	60974207	1	Wir.Ext. 25/35/50/68 GT Prep. Paral.12M			31/05/2023



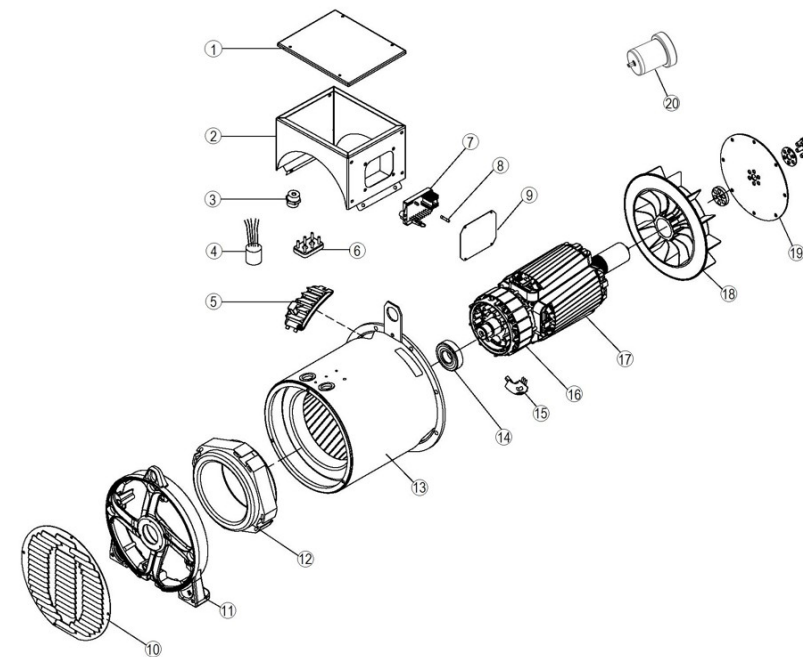
D_MI74GTST_06_1 Alternator 35 GT/GTC & 40 GTA/GTAC

Fig.	Ref.	Qty.	Descr.	Obs	From	UpTo
1A	60511336SRC	1	Al.SINCRO III 36KVA 1500 400/230V (RC)			
1B	60511336SRS	1	Al.SINCRO III 36KVA 1500 400/230V (RS)			
1C	60511337SRC	1	Al.SINCRO III 36KVA 1500RPM 230V (RC)			
1D	60511337SRS	1	Al.SINCRO III 36KVA 1500RPM 230V (RS)			
1E	60511343SRC	1	Al.SINCRO III 43KVA 1800 480/277V (RC)			
1F	60511343SRS	1	Al.SINCRO III 43KVA 1800 480/277V (RS)			
1G	60511344SRC	1	Al.SINCRO III 43KVA 1800RPM 240V (RC)			
1H	60511344SRS	1	Al.SINCRO III 43KVA 1800RPM 240V (RS)			
1I	605113037ZI0R	1	Alt.MECC.ALTE III 37,5KVA 400/230V C-TYPE (R)			
1J	605113037PI3R	1	Alt.MECC.ALTE III 37,5KVA 1500RPM 400/230V PARAL (R)			
1K	605113037ZI2R	1	Alt.MECC.ALTE III 37,5 KVA 230V C-TYPE (R)			
1L	605123043ZI2R	1	Alt.MECC.ALTE III 43 KVA 480/277V C-TYPE (R)			
1M	605123043ZI3R	1	Alt.MECC.ALTE III 43 KVA 240V C-TYPE (R)			



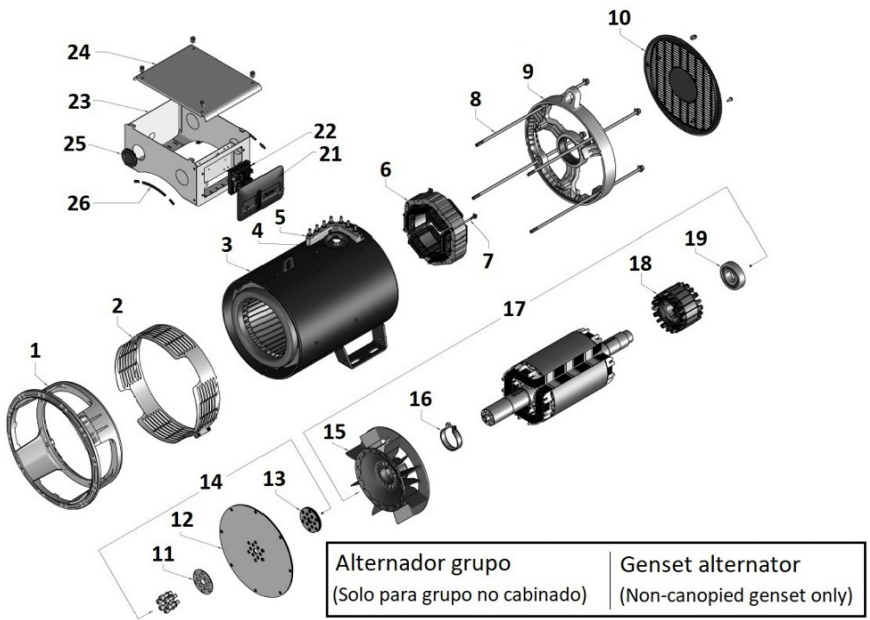
D_60511336S Alternator Spare Parts 35 GT Y 40 GTA SINCRO

Fig.	Ref.	Qty.	Descr.	Obs	From	UpTo
0	60511336SRC	1	Al.SINCRO III 36KVA 1500 400/230V (RC)			
0	60511336SRS	1	Al.SINCRO III 36KVA 1500 400/230V (RS)			
1	60511336S.01	1	Top Cover			
2A	60511336S.13	1	Terminal Box			
2B	60511336S.14	1	Terminal Box			
3	60511336S.02	1	M8 Insulator Clamp			
4	60574340S.12	1	EMC Filter			
5	60511336S.03	1	IP23 Grid			
6	60511336S.04	1	M8 Terminal Board			
7	60511107S.35.1	1	Electronic Board AVR BL4 U			
8	60511336S.05	1	Fuse 5x20 3,15A F			
9	60511336S.06	1	Cover on Regulator Side			
10	60511336S.22	1	Rear Grille			
11	60574340S.11	1	Rear Shield			
12	60511336S.07	1	Exciter Stator SK160W-			
13	(*)	2	Not available			
14	60511336S.08	1	Bearing 6307 2RS/C3			
15	60511336S.09	1	Diode Bridge SK160W-			
16	60511336S.10	1	Exciter Rotor SK160W- 4p			
18	60511336S.11	1	Fan SK160W- 4p			
19	60511336S.12	1	Kit Disks 11,5"			
20	UMSINCRO1	1	SINCRO SK160 Special Tool			



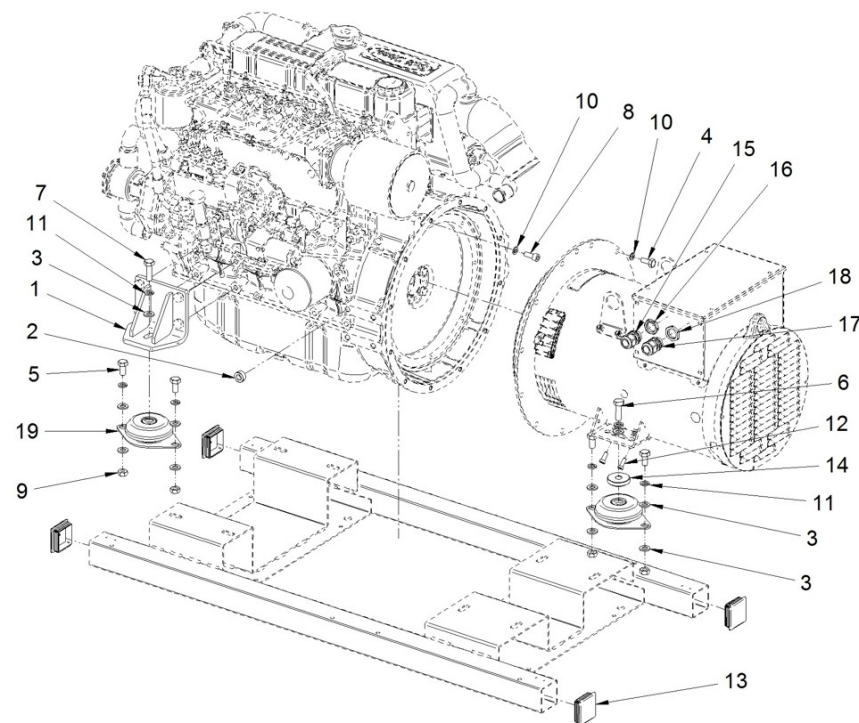
D_605113037ZI0 Alternator Spare Parts MECCALTE 35 GT Y 40GTA C-TYPE

Fig.	Ref.	Qty.	Descr.	Obs	From	UpTo
1	605113037ZI0.1	1	Drive end Bracket			
2	605113037ZI0.2	1	Protection Screen MD35			
3	605113037ZI0.3	1	Frame and Stator			
4	605113050ZI6.4	1	Cable Grommet diam. 70 mm			
5	605113050ZI6.5	1	Terminal Board 7 Pin M8			
6	605113050Z4.4	1	Exciter Stator H-45 6P			
7	605113050ZI6.6	1	Exciter Stay Bolt H-45			
8	605113037ZI0.4	1	Cover Stay Bolt			
9	605113075ZI2.3	1	Non Drive end Bracket			
10	605113050ZI6.9	1	Rear Seal			
11	605113050Z4.23	1	Disc Bloking Ring-Spacer			
12	605113050ZI6.10	1	Disc SAE 11,5			
13	605113075Z0.19	1	Ring spacer vol. 8 - 10			
14	605113075Z0.21	1	Kit coupling disc plates SAE 11,5			
15	605113050Z4.17	1	Plastic Fan			
16	605113075Z0.16	1	Clamp			
17	605113037ZI0.6	1	Rotor Assy			
18	605113050ZI6.12	1	Exciter Armature H-45 6P (+ Diodes T30)			
21	M9909505310	1	Regulator Cap			
22	60500023.1	1	Electronic Regulator DSR			
23	M7510603373	1	Terminal Box			
24	M9903910114	1	Terminal Box Lid			
25	605113050Z4.12	1	Cable Grommet			
26	605113050Z4.8	1	PVC Rubber Profile			
NS	605113050Z4.25	1	Kit USB2DxR			
NS	605113075ZI2.6	1	Kit Terminal Box, Painted (21+23+24+25+26)			
NS	60511315.1.11	1	Diode Bridge T30			



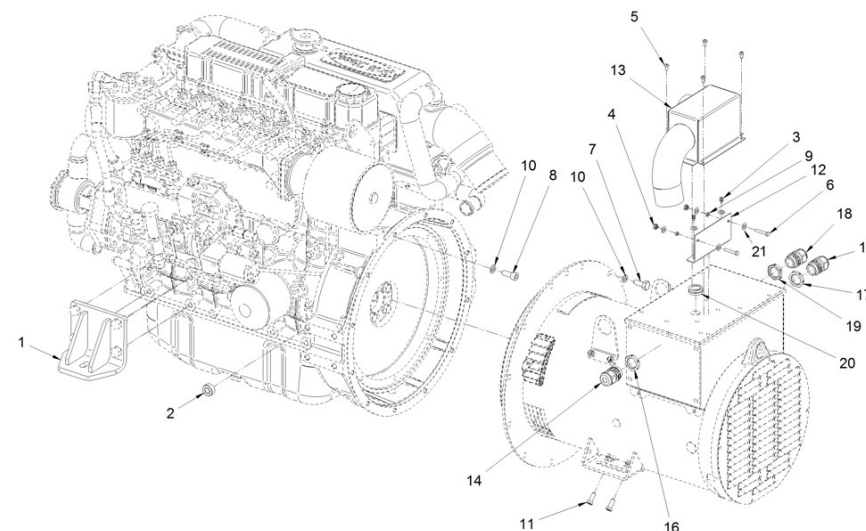
60574063 3 Phase SINCRO Alt. Kit (S)

Fig.	Ref.	Qty.	Descr.	Obs	From	UpTo
1	17410001G	2	Support ANTERIUER			
2	19414022	1	Spacer 13X25X10			
3	51030012	20	Washer DIN 125-12			
4	52102308	12	Bolt DIN 933 M10-25 8.8			
5	52102358	8	Bolt DIN 933 M12-25 8.8			
6	52102360	2	Bolt DIN 933 M12-35 8.8			
7	52102361	2	Bolt DIN 933 M12-40 8.8			
8	52103308	8	Bolt DIN 912 M10-25 8.8			
9	52120012	8	Nut DIN 934 M12 8.8			
10	53033010	20	Washer GROWER DIN 127-10			
11	53033012	5	Washer Grower DIN 127-12			
12	53104257	4	Bolt DIN 7984 M8-20 12.9			
13	60539019	4	LID (60 Tube)			
14	60574025	2	Washer			
15	60900306	1	Connector Press CAPTOR-2000 M25 RAL7001			
16	60900309	1	Screw Connector Press Captor-2000 M25			
17	60900310	1	Connector Press CAPTOR-2000 M32 RAL7001			
18	60900311	1	Screw Connector Press Captor-2000 M32			
19	61674002	4	Engine Mount Type F 35 SHA M12 H 41			
19	61674006	4	Engine Mount Type F BRB 110 A40 SHA M12 H 41		14/04/2023	
NS	58088284	2	Pastic Cable Zip Tie			
NS	60900159	1	Tubular Terminal			
NS	TR.1.5.8	4	Ring Terminal 1.5 Sec.			



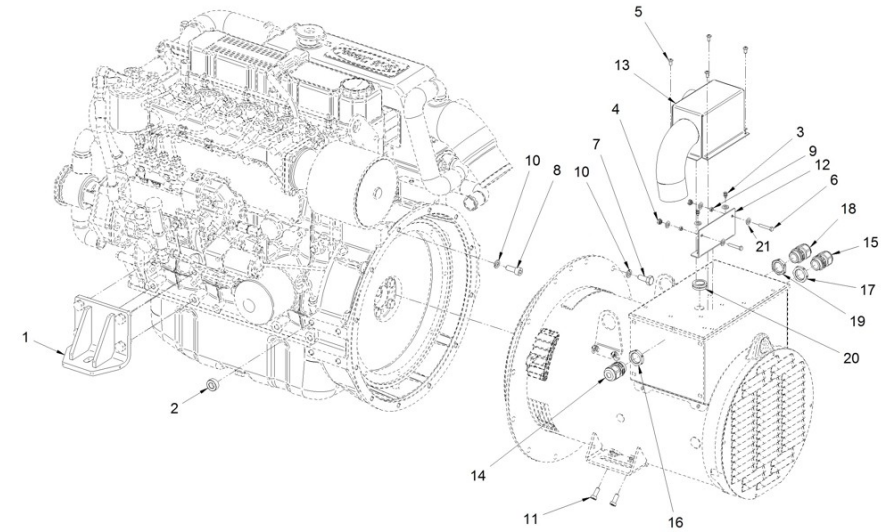
60574062 3 Phase SINCRO Alt. Kit (C)

Fig.	Ref.	Qty.	Descr.	Obs	From	UpTo
1	17410001G	2	Support ANTERIUER			
2	19414022	1	Spacer 13X25X10			
3	52102104	2	Bolt DIN 933 M5-10 8.8			
4	51123005	4	Nut DIN 985 M5 5.6			
5	51918054	4	Bolt DIN 7981C 3,5-9,5			
6	52102110	2	Bolt DIN 933 M5-30 8.8 CINCADO			
7	52102308	12	Bolt DIN 933 M10-25 8.8			
8	52103308	8	Bolt DIN 912 M10-25 8.8			
9	52120005	2	Nut DIN 934 M5 8.8			
10	53033010	20	Washer GROWER DIN 127-10			
11	53104257	4	Bolt DIN 7984 M8-20 12.9			
12	60573041.72	1	VOLT REGULATOR Bracket Box			
13	60574043.71	1	ALT. REGULATING Box FULL			
14	60900304	1	Coneector Press PA Grey IP68 M16			
15	60900306	1	Connector Press CAPTOR-2000 M25 RAL7001			
16	60900307	1	Screw Connector Press PA Grey IP68 M16			
17	60900309	1	Screw Connector Press Captor-2000 M25			
18	60900310	1	Connector Press CAPTOR-2000 M32 RAL7001			
19	60900311	1	Screw Connector Press Captor-2000 M32			
20	60900517	1	Cover,wiring			
21	51030005	8	Washer DIN 125-5			
NS	51058054	4	Aluminium Rivet 4.0 X 10			
NS	51108002	2	Bolt DIN 85 M3-6 5.6			
NS	51123003	2	Nut DIN 985 M3 5.6			
NS	58088283	6	Pastic Cable Zip Tie			
NS	58088288	2	BOLT M3,BRACKET CLAMP			
NS	60511336S.01MEC	1	Top Cover			
NS	60900510	1	Emergency Stop PUSH BOTTOM			
NS	60900511	1	Stop PUSH BOTTOM Body			
NS	60974072A	1	Inst. Alt. To N Blue Breaker Sec. 16 - 800mm			
NS	60974072G	1	Inst. Alt. To "W" Gray Breaker Sec. 16 - 800mm			



60574062 3 Phase SINCRO Alt. Kit (C)

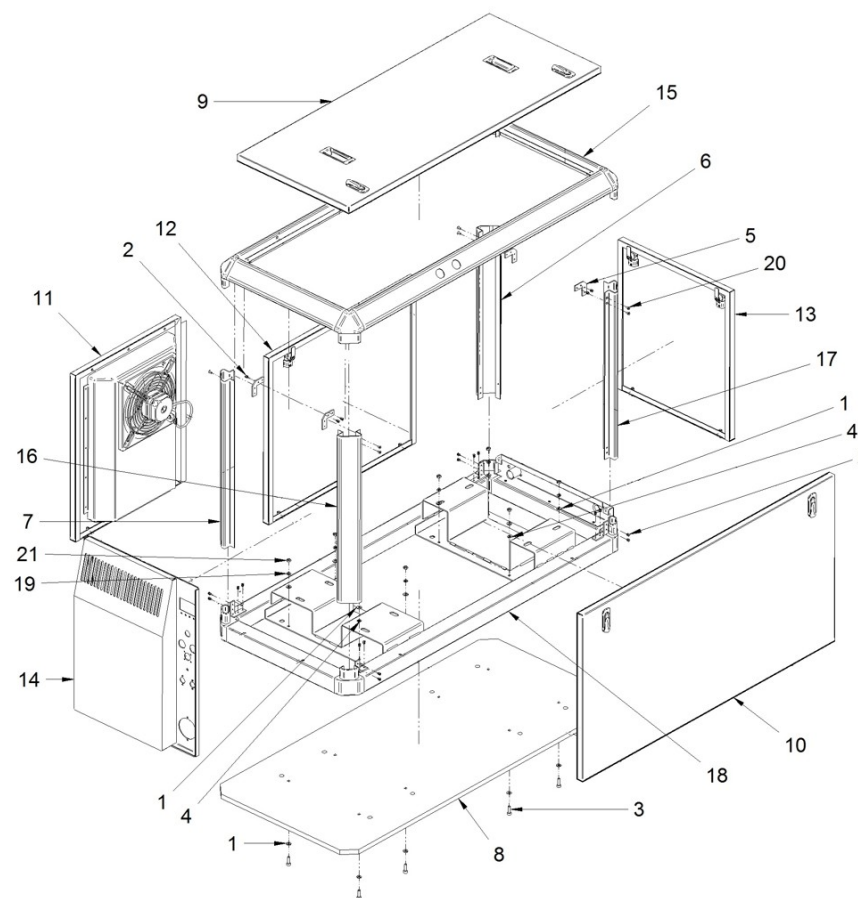
Fig.	Ref.	Qty.	Descr.	Obs	From	UpTo
NS	60974072M	1	Inst. Alt. To "V" Brown Breaker Sec. 16 - 800mm			
NS	60974072N	1	Inst. Alt. To "U" Black Breaker Sec. 16 - 800mm			
NS	60974075	1	Fan Installation			
NS	60974076	1	Kit Fan Installation			
NS	60974088	1	4 Poles 50A Disconnecter			
NS	TP.1.L.14	2	Hollow Toe Terminal Section 1 Length 14			



D_AZ01_4_1

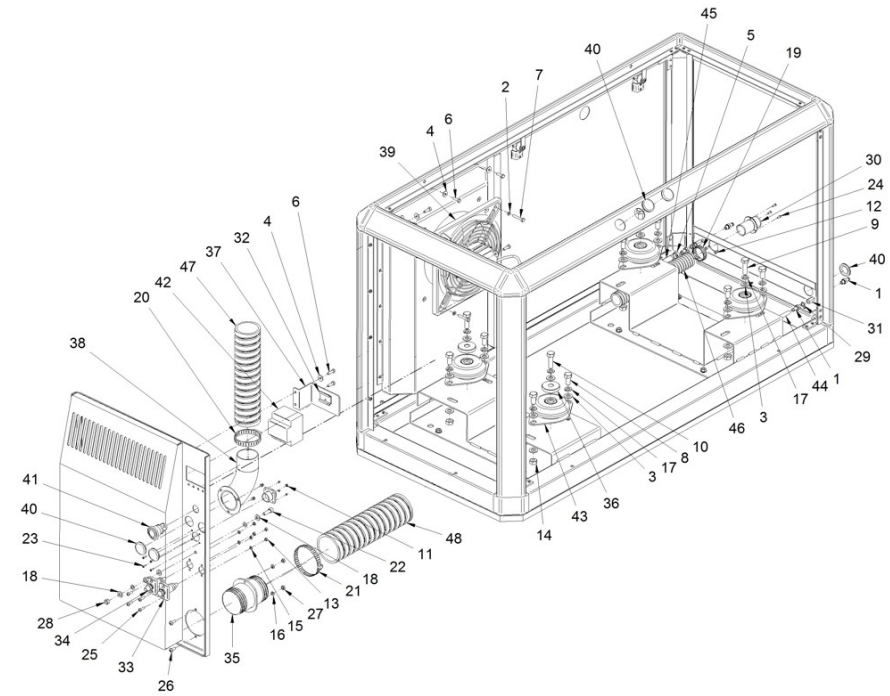
Cabin

Fig.	Ref.	Qty.	Descr.	Obs	From	UpTo
1	51030008	16	Washer DIN 125-8			
2	51058054	22	Aluminium Rivet 4.0 X 10			
3	52103258	8	Bolt DIN 912 M8-25 8.8			
4	53038008	2	Washer DIN 6798-A 8			
5	60573041.43	4	L Fastening Bracket			
6	60574043.03	1	VERTICAL BAR			
7	60574043.04	1	VERTICAL BAR			
8	60574043.10	1	BASEBOARD			
9	60574043.20	1	Upper Panel			
10	60574043.21	1	RIGHT Side Panel MOBILE			
11	60574043.22A	1	Out Side Air Panel FIXED			
12	60574043.22B	1	Side Panel MOBILE			
13	60574043.24	1	FrontAL Panel			
14	60574043.25	1	Back Panel			
15	60574043.30	1	Upper FRAME			
16	60574043.31	1	VERTICAL BAR			
17	60574043.32	1	VERTICAL BAR			
18	60574043.61	1	Bottom Frame			
19	53033008	6	Washer GROWER DIN 127-8			
20	53105104	8	Bolt DIN 7991 M5-10 12.9			
21	52120008	8	Nut DIN 934 M8 8.8			

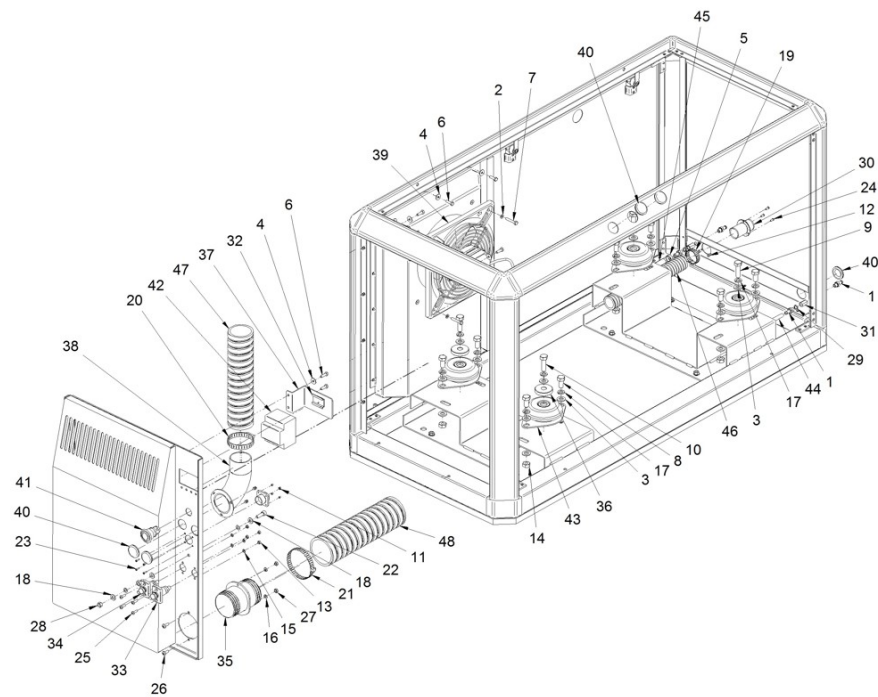


D_AZ01_4_2 Cabin Kit

Fig.	Ref.	Qty.	Descr.	Obs	From	UpTo
1	13814072	4	Straight Hose Connector 1/8" NPTF			
2	51030006	4	Washer DIN 125-6			
3	51030012	17	Washer DIN 125-12			
4	51031006	7	Washer DIN 9021 6			
5	51086015	2	One Ear Clamp With Interior Ring 13-15,3			
6	52102157	7	Bolt DIN 933 M6-20 8.8			
7	52102160	4	Bolt DIN 933 M6-35 8.8			
8	52102358	9	Bolt DIN 933 M12-25 8.8			
9	52102360	2	Bolt DIN 933 M12-35 8.8			
10	52102361	2	Bolt DIN 933 M12-40 8.8			
11	52120003	4	Nut DIN 934 M3 8.8			
12	52120004	3	Nut DIN 934 M4 8.8			
13	52120005	4	Nut DIN 934 M5 8.8			
14	52120012	8	Nut DIN 934 M12 8.8			
15	53033005	4	Washer GROWER DIN 127-5			
16	53033006	2	Washer GROWER DIN 127-6			
17	53033012	12	Washer Grower DIN 127-12			
18	54030008	3	Washer DIN 125-8 INOX.			
19	54082025	4	Clamp DIN 3017 25-40/12 W4			
20	54082050	4	Clamp DIN 3017 50-70/12 W4			
21	54083091	2	GP Clamp 85-91 W4 STC			
22	54103258	1	Bolt DIN 912 M8-25 INOX.			
23	54118004	4	Bolt DIN 7985 M3-10 INOX			
24	54118054	3	Bolt DIN 7985 M4-10 INOX			
25	54118106	4	Bolt DIN 7985 M5-16 INOX			
26	54118156	2	Bolt DIN 7985 M6-16 INOX			
27	54120006	2	Nut DIN 934 M6 INOX			
28	54120008	3	Nut DIN 934 M8			
29	57000361	2	Washer 10-14-1,5			
30	60571015	1	Sea Water Wall PASS			
31	60573041.39	2	ROD Coupling 1/8 BSP			

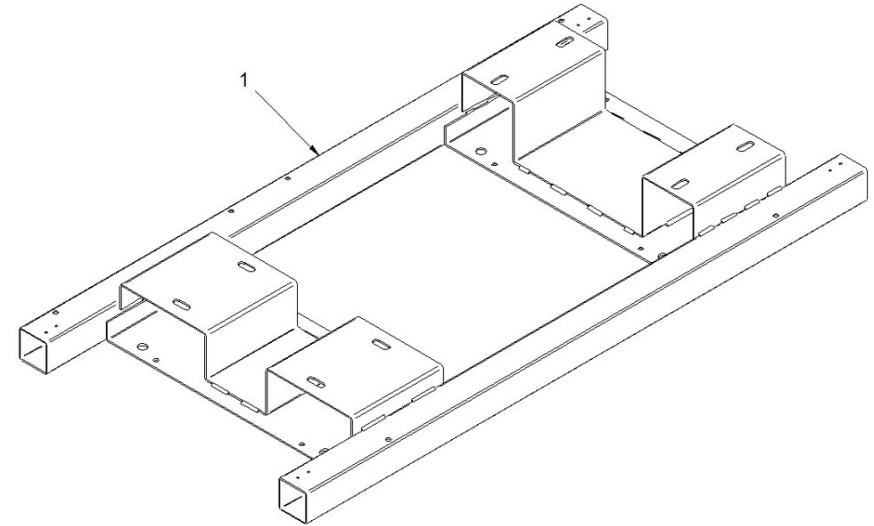


D_AZ01_4_2		Cabin Kit				
Fig.	Ref.	Qty.	Descr.	Obs	From	UpTo
32	60573041.64	1	Switch Disconnecter Omega Bracket			
33	60573047	1	Battery Plug IN			
34	60573048	1	Battery Plug IN			
35	60574024	1	Exhaust Wall PASS 75			
36	60574025	2	Washer			
37	60574043.42	1	Switch Disconnecter Bracket			
38	60574043.46	1	Elbow Nozzle D60			
39	60574044.1	1	Fan HJEM 20 M4 (CASALS)			
40	60900508	5	Shutter 31			
41	60900510	1	Emergency Stop PUSH BOTTOM			
42	60974085	1	FOUR PoleS 40A DISConnector			
43	61674002	4	Engine Mount Type F 35 SHA M12 H 41			
43	61674006	4	Engine Mount Type F BRB 110 A40 SHA M12 H 41		14/04/2023	
44	M80501006	1.0	Hose D.10-6			
45	M81510817	1.0	Fuel Hose D. 8-17			
46	M87503242	2.0	Water Intake Hose (HQ) D. 32-42			
47	M88506072	1.0	Exhaust Hose D. 60			04/03/2024
47	M88576300	1.0	Air Aspiration Hose D. 63		04/03/2024	
48	M88507587	1.0	Exhaust Hose D. 76			
NS	13817011	2	Bracket			
NS	58018160	4	Screw			
NS	59071452	2	Clamp 1 42/15 W1			
NS	60900047	1	White Strip VDe 104 4			
NS	60971038	1	Positive Battery RED Wiring Sec. 25 mm - 1.52 m			
NS	60972073	1	0,25 M. CHASSIS TO MOTOR Wiring GROUND			
NS	60972074	1	0,44 M. Back Panel To Alt. Wiring Ground			
NS	60972090	2	TER. PROTECTIVE 20 RED			
NS	60972091	2	TER. PROTECTIVE 20 BLACK			
NS	60973048	1	BLACK Battery NEGATIVE Wiring			
NS	CAP.FLEXI0064	2	Rubber Cap D. 6,4x13			



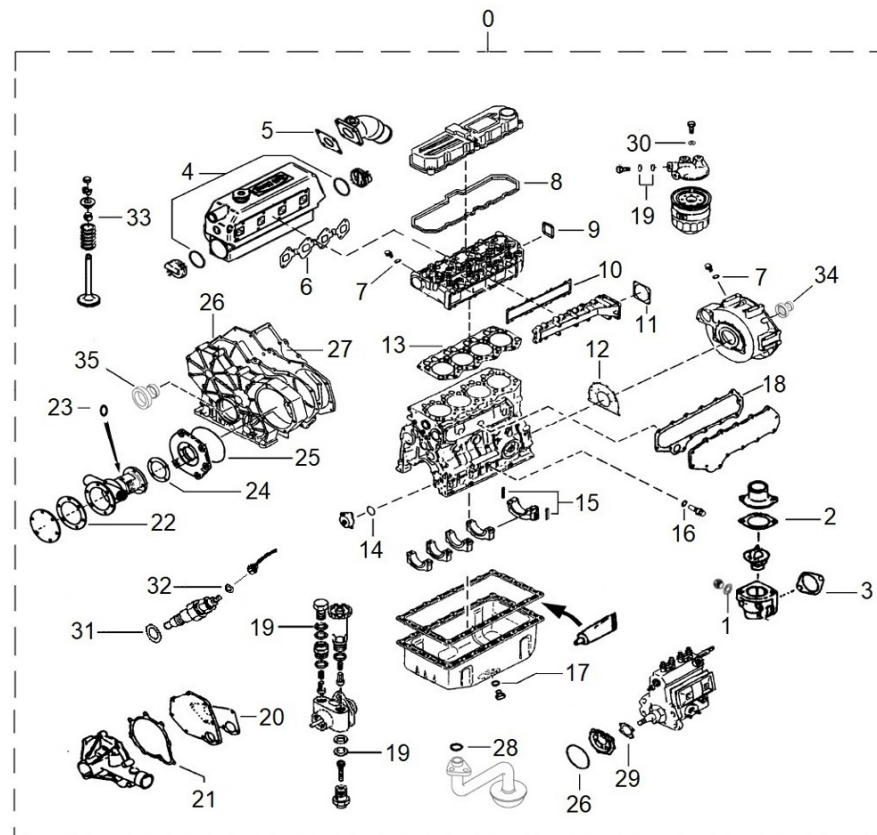
D_60574043.01 Genset Chassis

Fig.	Ref.	Qty.	Descr.	Obs	From	UpTo
1	60574043.01	1	Genset CHASSIS			



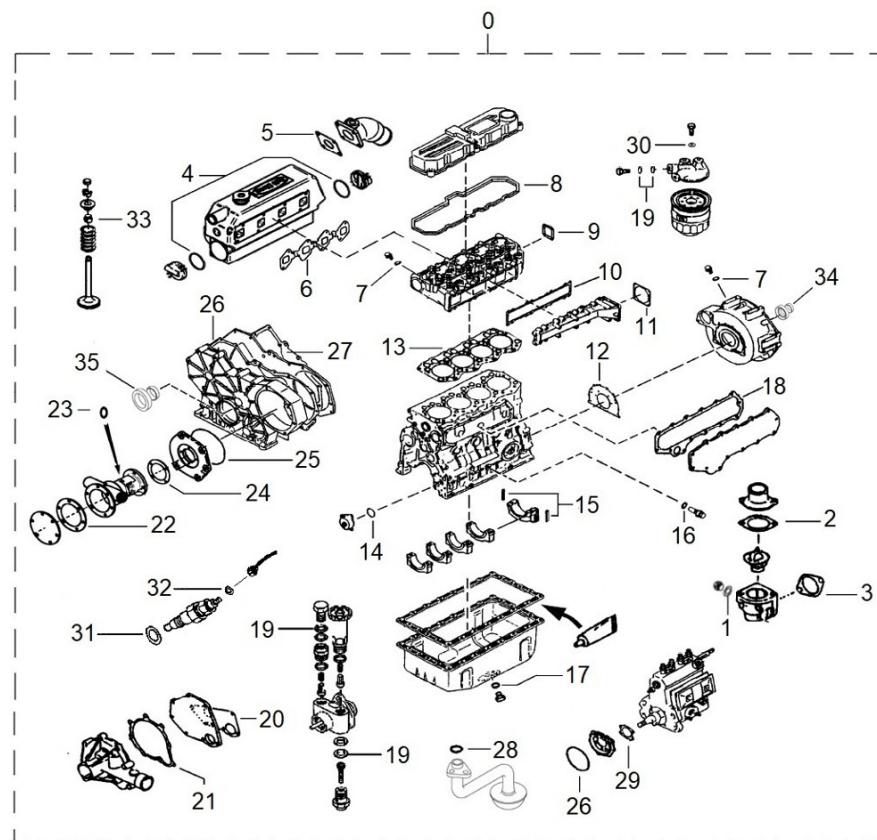
D_17420101 Gasket Kit

Fig.	Ref.	Qty.	Descr.	Obs	From	UpTo
0	17420101	1	Gasket Kit			
1	56000073	1	Copper Washer 16-23-1,5			
2	17111021	1	Gasket			
3	13321014	1	Gasket			
4	18011008	2	O-Ring D. 72X3			
5	16513002	1	Exhaust Elbow Gasket			
6	17421035	1	Gasket,Exhaust Manifold			
7	17121013	2	Gasket			
8	17421010	1	Rocker Cover Gasket			
9	17421011	1	Gasket			
10	17421032	1	Gasket IN.MANIFOLD			
11	17421042	1	Gasket			
12	17420025	1	Gasket,Rear			
13	17421004	1	Gasket,Cylinder Head			
14	17424055	1	O-Ring D. 60X2			
15	17420112	2	Seal,Valve			
16	17424063	1	Gasket			
17	56000069	2	Washer 14-20-1,5			
18	17424062.1	1	Gasket,Side Cover			
19	17424008	8	Washer,SealING			
20	17421041	1	Gasket,Side Cover			
21	17421022	1	Gasket,Pump Cover			
22	34711003	1	Gasket Cover			
23	33311013	1	O-Ring D. 15X2			
24	13310013	1	Gasket,water pump			
25	17420047	2	O-Ring D. 140X2			
26	17420040	1	Gasket,Gear			
27	17420018	1	Gasket,Front Plate			
28	17424060	1	O-Ring D. 22X2,4			
29	17425028	1	Gasket			
30	13324011	1	Washer			



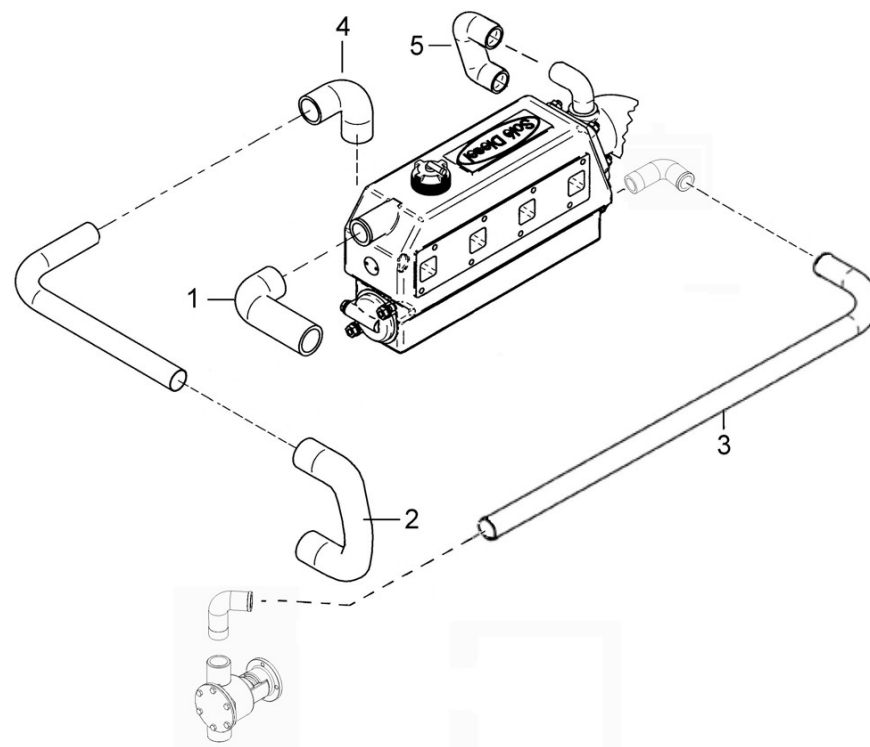
D_17420101 Gasket Kit

Fig.	Ref.	Qty.	Descr.	Obs	From	UpTo
31	13824013	4	Injector Washer			
32	17424025G.1	4	Gasket Fuel Return (Genset)			
33	17422054	8	Seal,Valve Stem			
34	13320063	1	Seal Oil			
35	17420039.1	1	Seal Assy,Oil			



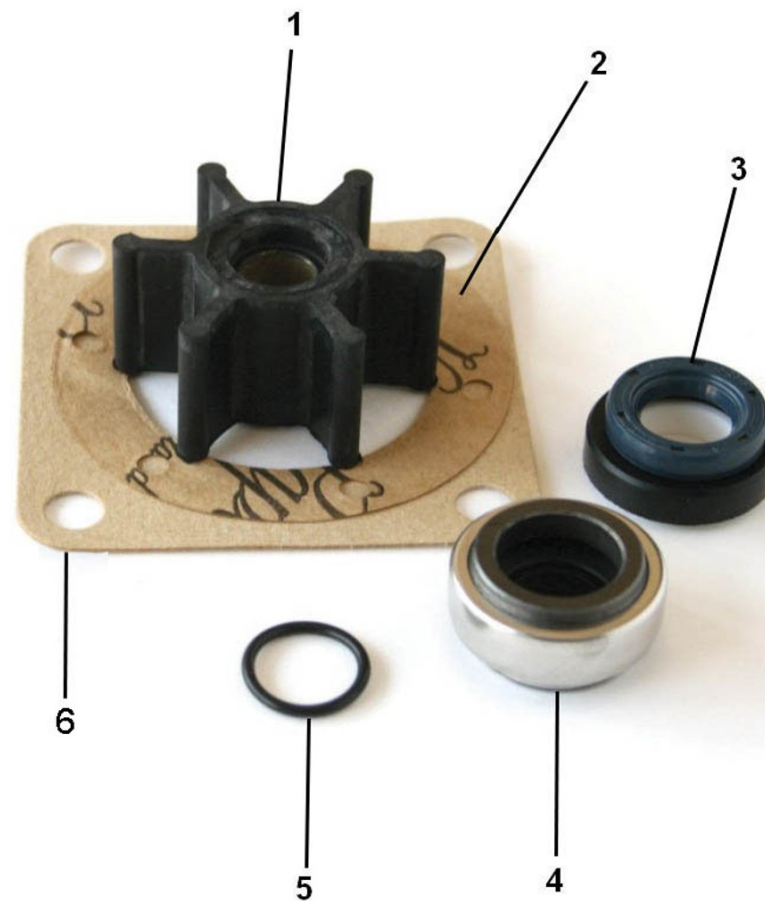
17411100G Pipe Rubber Set,Water LINE

Fig.	Ref.	Qty.	Descr.	Obs	From	UpTo
1	17411013	1	Thermostat Water Outlet Elbow			
2	16711016	1	Rubber Elbow			
3	M87503242	1.0	Water Intake Hose (HQ) D. 32-42			
4	15211026	1	Elbow,rubber			
5	17411034	1	Hose			
NS	17421025G.1	1	Hose,BY-PASS (Generator)			



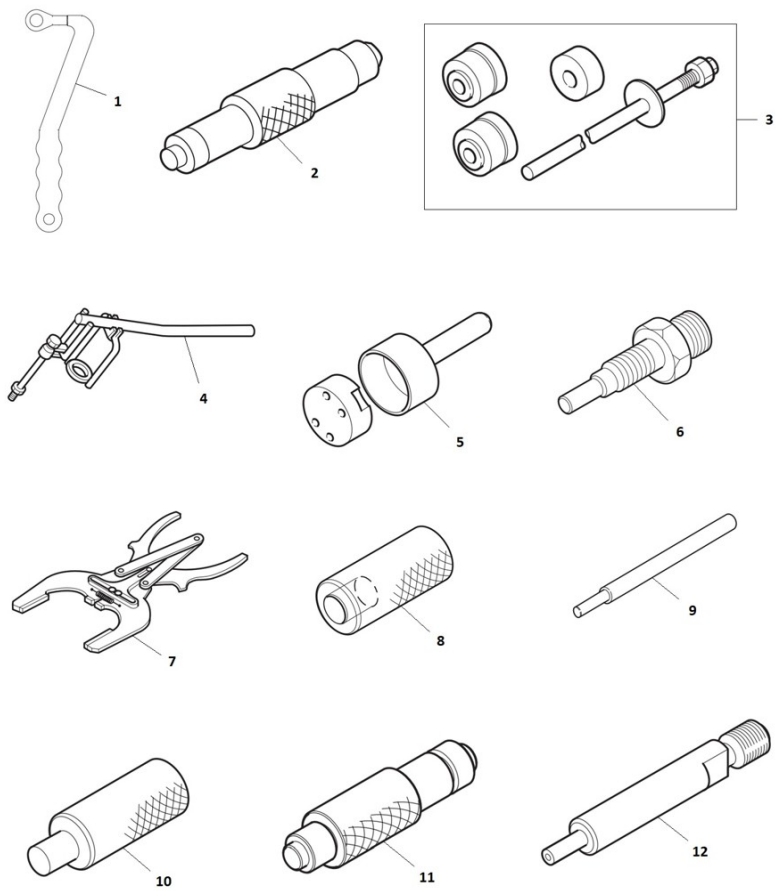
36511000K Repair Kit Water Pump 1"

Fig.	Ref.	Qty.	Descr.	Obs	From	UpTo
1	34711008	1	1" Impeller			
2	34711003	1	Gasket Cover			
3	36511020	1	Seal 16-30-7			
4	36511019	1	Seal			
5	33311013	1	O-Ring D. 15X2			
6	13310013	1	Gasket,water pump			



D_UTILFA0960_1 Special Tools

Fig.	Ref.	Qty.	Descr.	Obs	From	UpTo
1	13811063	1	Refrigerator Mounting Key			
2	U3009107300	1	Idler Bushing Installer			
3	U3069100010	1	Camshaft Bushing Installer Set			
4	U3069104500	1	Valve Spring Pusher			
5	U3069113010	1	Oil seal sleeve installer set			
6	U3069121100	1	Gauge Adapter			
7	UMM74007	1	Piston Ring Pliers			
8	U32A9100100	1	Valve Guide Installer			
9	U32A9100300	1	Valve Guide Remover			
10	U32A9100400	1	Oil Pump Bushing Installer			
11	U32A9100500	1	Connecting rod bushing puller			
12	U32A9101100	1	Gauge adapter (direct injection)			



D_UTILFA0960_2 Special Tools

Fig.	Ref.	Qty.	Descr.	Obs	From	UpTo
13	U32A9110200	1	Stem Seal Installer			
14	19440400.2	1	Compression Manometer 10-60 Bar			
15	U3449100200	1	Piston Installer			
16	U3449103020	1	Valve Sheet Insert Caulking Tool			
17	U3679100200	1	Valve Sheet Insert Caulking Tool			
18	UMH061077	1	Idler Shaft Puller			

