



# Genset 17 GT/GTC & 20 GTA/GTAC

VERSION 2023-8

SPARE PARTS MANUAL



## PARTS LIST CATALOGUE

### NORMS TO PLACE AN ORDER:

For fast and more efficient service, please specify the following information on spare parts orders that must be preferably done by FAX or e-mail as specified below:

- 1- Engine model: As shown in identification plate
- 2- Engine serial number: As shown in identification plate and stamped on crankcase
- 3- Item description + part number + quantity required

---

### Spare parts requests must be addressed to:

[recambios@solediesel.com](mailto:recambios@solediesel.com)

Telf.: +34 93 775 44 05

Fax: +34 93 775 30 13

---

The components shown in the catalog have:

- Figure: Number by which they are represented in scheme
  - Description: Trade name of the component
  - Quantity: Total number of parts used in the assembly of the part represented (may differ from the total minimum quantities)
- Hoses, indicates the total length in meters

---

*The diagrams shown in this catalog of spare parts, have only the purpose to identify the piece in question, its representation is not meaningful and may differ from the actual piece.*

*In case of doubt, contact Solé Diesel, or your authorized dealer.*

*The parts i / or references in this catalog are subject to change without notice.*

---

[SOLE S.A.](#)

C-243b, Km, 2 - P.O. BOX 15  
08760 Martorell (Barcelona) Spain

---

Download the latest version of this manual [HERE](#)

## Engine Body

Cylinder Head  
Rocker Cover & Breather  
Valve Drive  
Timing Parts  
Gear Case  
Crankcase  
Rear Plate  
Piston & Connection Rod  
Crankshaft & Flywheel  
Oil System  
Oil Pan  
Engine Brackets

## Inlet & Exhaust

Inlet

## Cooling System

Water Pump  
Cooler Pipes  
Water Cooler Assy MINI-44 v6 from to 27/11/2020  
Water Cooler Assy MINI-44 up to 27/11/2020  
Wet Exhaust  
1/2" Pump Water, Set  
Splined Pump 1/2" MINI-11/17/29/33/44  
Splined Pump 3/8" MINI-48 Gen-26/33/44

## Fuel System

Fuel Pipe  
Injection Nozzle  
Fuel Injection Pump  
Governor Parts  
Fuel Supply Parts

## Electrical System

Electrical System 12V  
Electrical System 24V  
Parallel Electrical System 12V  
Panels for Genset  
Panel Components for Genset  
Electrical Box for Parallel  
Genset Extension  
Parallel Genset Extension

## Genset Alternator Spare Parts

Alternator 17 GT/GTC Y 20 GTA/GTAC  
Alt.SINCRO III 17,5KVA 1500RPM 400/230V

## Genset Alternator Kit

3 Phase SINCRO Alt. Kit (S)  
3 Phase SINCRO Alt. Kit (C)

## Chassis Spare Parts

Chassis

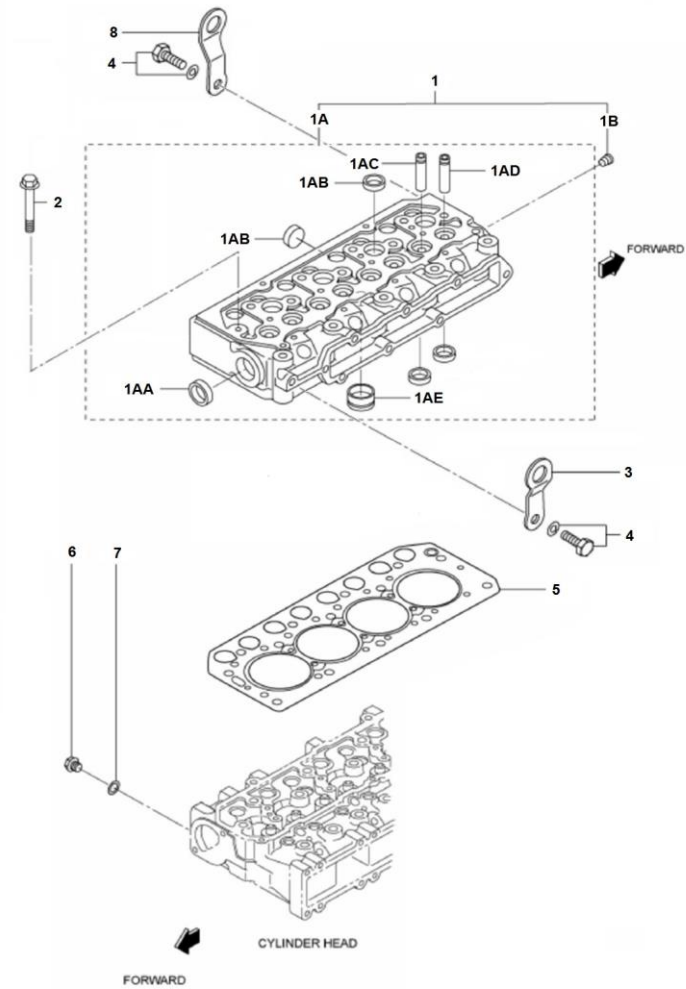
## Canopy Spare Parts

Cabin  
Cabin Kit

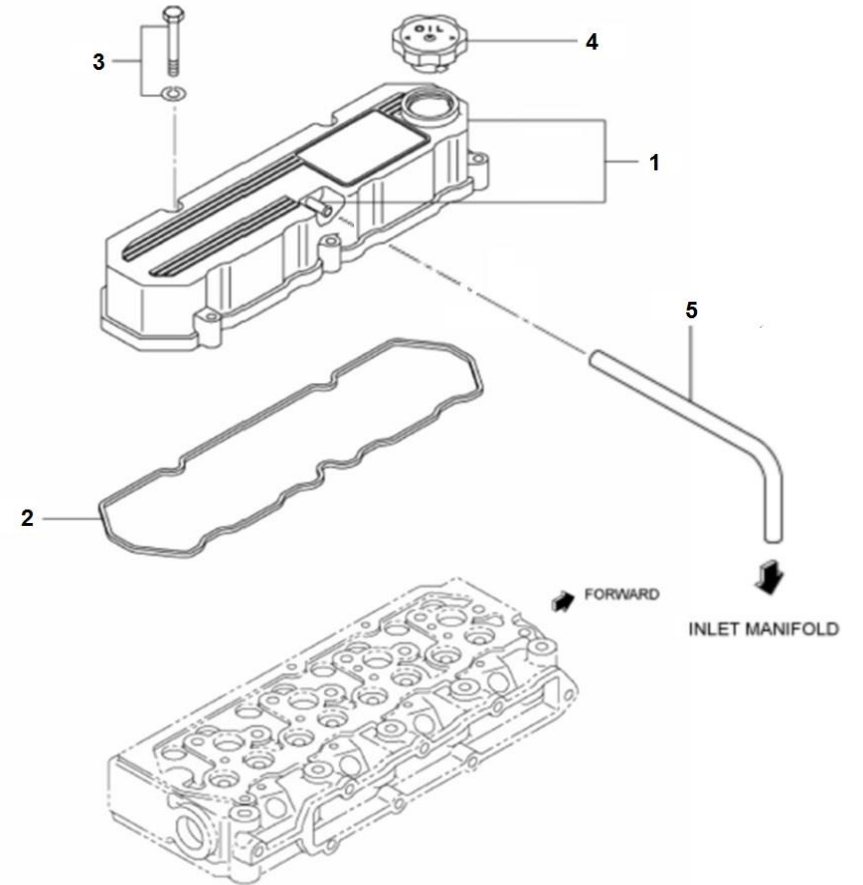
## Maintenance Kit

Gasket Kit  
Pipe Rubber Set, Water Line  
Repair Kit Water Pump 1/2"  
Repair Kit Water Pump 1/2"  
Special Tools

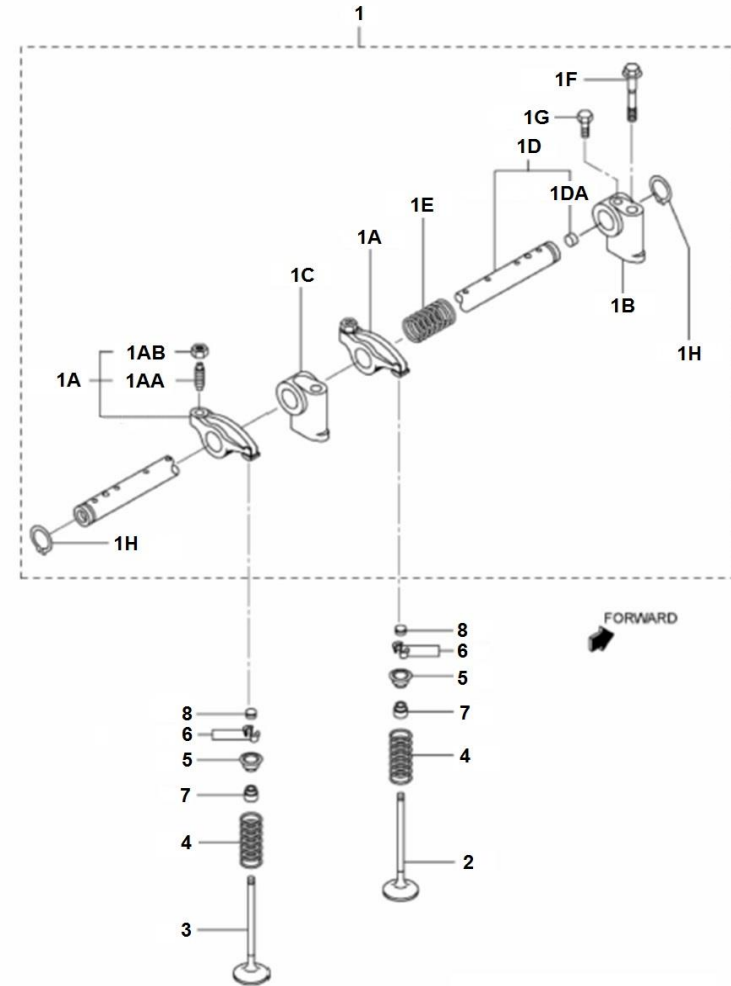
| D_GD01_1_1 Cylinder Head |             |     |                             |      |      |  |
|--------------------------|-------------|-----|-----------------------------|------|------|--|
| FIG.                     | REF.        | QTY | DESCR.                      | FROM | UPTO |  |
| 1                        | 17321001G.1 | 1   | Head Assy,cylinder          |      |      |  |
| 1A                       | 17321002    | 1   | Cylinder Head               |      |      |  |
| 1AA                      | 17020012    | 1   | Cap                         |      |      |  |
| 1AB                      | 13220012    | 7   | Cap Sealing                 |      |      |  |
| 1AC                      | 17221002    | 4   | Guide, Valve Exhaust        |      |      |  |
| 1AD                      | 17221003    | 4   | Guide, Valve, Inlet         |      |      |  |
| 1AE                      | 17221015G   | 4   | Jet, Combustion (Generator) |      |      |  |
| 1B                       | 17820011    | 1   | Plug, Tapered               |      |      |  |
| 2                        | 17221005    | 14  | Bolt,cylinder head          |      |      |  |
| 3                        | 13221011    | 1   | HANGER Engine               |      |      |  |
| 4                        | 17720010    | 2   | Bolt,W/Washer               |      |      |  |
| 5                        | 17321004    | 1   | Gasket, Cylinder Head       |      |      |  |
| 6                        | 17121016    | 1   | Plug, drain                 |      |      |  |
| 7                        | 17121013    | 1   | Gasket                      |      |      |  |
| 8                        | 17210008    | 1   | HANGER, Engine              |      |      |  |



| D_GD01_1_2 |             | Rocker Cover & Breather |                           |      |      |  |
|------------|-------------|-------------------------|---------------------------|------|------|--|
| FIG.       | REF.        | QTY                     | DESCR.                    | FROM | UPTO |  |
| 1          | 17321009    | 1                       | Cover Assy, Rocker        |      |      |  |
| 2          | 17321010    | 1                       | Rocker Cover Gasket       |      |      |  |
| 3          | 17421014G.1 | 5                       | Bolt W/Washer (Generator) |      |      |  |
| 4          | 17221003G   | 1                       | Cap Oil Filler            |      |      |  |
| 5          | 17321006.4  | 1                       | Hose Breather             |      |      |  |



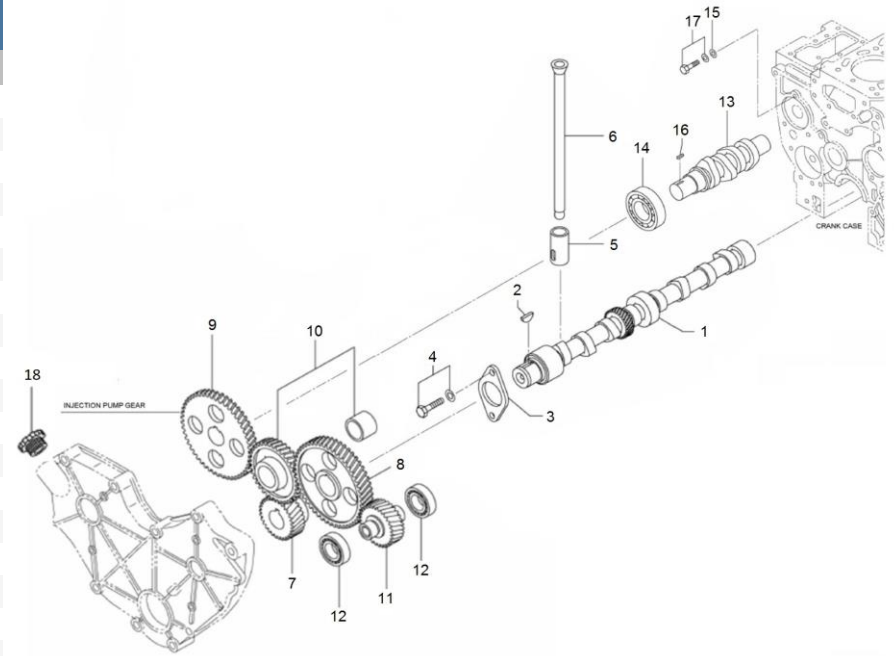
| D_GD01_1_3 |             | Valve Drive |                           |      |      |  |
|------------|-------------|-------------|---------------------------|------|------|--|
| FIG.       | REF.        | QTY         | DESCR.                    | FROM | UPTO |  |
| 1          | 17322001    | 1           | Shaft, Rocker Arm-In [NP] |      |      |  |
| 1A         | 17222142G   | 8           | Rocker Assy               |      |      |  |
| 1AA        | 17122044    | 8           | Screw Adjusting           |      |      |  |
| 1AB        | 17122060    | 8           | Nut                       |      |      |  |
| 1B         | 17222048    | 1           | Bracket, Rocker Shaft     |      |      |  |
| 1C         | 17222049    | 3           | Bracket, Rocker Shaft     |      |      |  |
| 1D         | 17322046.4  | 1           | Shaft Assy, Rocker        |      |      |  |
| 1DA        | 17222025.4  | 2           | Cap, Sealing              |      |      |  |
| 1E         | 17422047G.1 | 3           | Spring,Rocker             |      |      |  |
| 1F         | 17222053.5G | 4           | Bolt                      |      |      |  |
| 1G         | 17222053    | 1           | Bolt                      |      |      |  |
| 1H         | 17222050    | 2           | Ring, SNAP                |      |      |  |
| 2          | 17222055G   | 4           | Intake Valve (Genset)     |      |      |  |
| 3          | 17222056G   | 4           | Exhaust Valve (Genset)    |      |      |  |
| 4          | 17222057    | 8           | Spring, Valve, INNER      |      |      |  |
| 5          | 13822058    | 8           | Retainer Valve SP         |      |      |  |
| 6          | 13222059    | 16          | Lock Valve                |      |      |  |
| 7          | 13222054    | 8           | Seal Valve Stem           |      |      |  |
| 8          | 13822069    | 8           | Cap Stem                  |      |      |  |



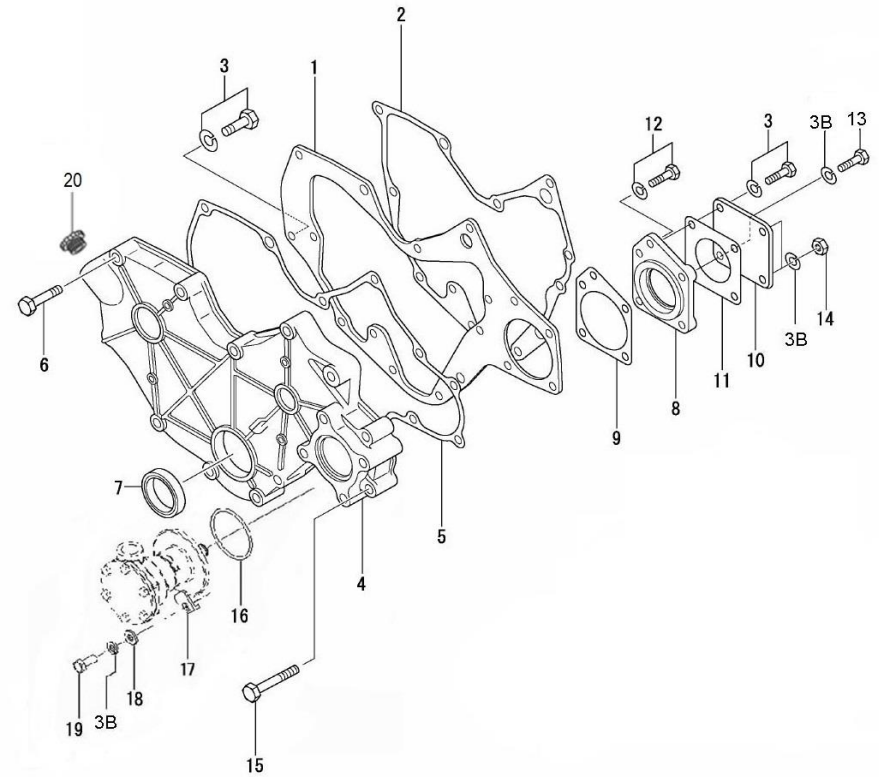
[NP] Not provided



| D_GD01_1_4 Timing Parts |             |     |                            |      |      |  |
|-------------------------|-------------|-----|----------------------------|------|------|--|
| FIG.                    | REF.        | QTY | DESCR.                     | FROM | UPTO |  |
| 1                       | 17322035    | 1   | CamShaft                   |      |      |  |
| 2                       | 13222020    | 1   | KEY                        |      |      |  |
| 3                       | 17422075    | 1   | Plate,THRUST               |      |      |  |
| 4                       | 17821012    | 2   | Bolt,W/Washer              |      |      |  |
| 5                       | 13222061    | 8   | Tappet                     |      |      |  |
| 6                       | 17222041    | 8   | ROD, PUSH                  |      |      |  |
| 7                       | 17222021    | 1   | Gear, CrankShaft           |      |      |  |
| 8                       | 17222037    | 1   | Gear, CamShaft             |      |      |  |
| 9                       | 17222043    | 1   | Gear, Injection Pump       |      |      |  |
| 10                      | 17222038    | 1   | Gear Assy, IDLER           |      |      |  |
| 11                      | 17222066G.1 | 1   | Gear, Pressure Oil Pump    |      |      |  |
| 12                      | 17022067    | 2   | Ball Bearing 6205-C3       |      |      |  |
| 13                      | 17322040    | 1   | Shaft, Fuel Injection Pump |      |      |  |
| 14                      | 13222062    | 1   | Ball Bearing 6228          |      |      |  |
| 15                      | 17222065    | 1   | Washer                     |      |      |  |
| 16                      | 17622060.4  | 1   | Key, Sunk                  |      |      |  |
| 17                      | 17422037G.1 | 1   | Bolt W/Washer (Generator)  |      |      |  |
| 18                      | 17621003    | 1   | Cap Oil FILLER             |      |      |  |

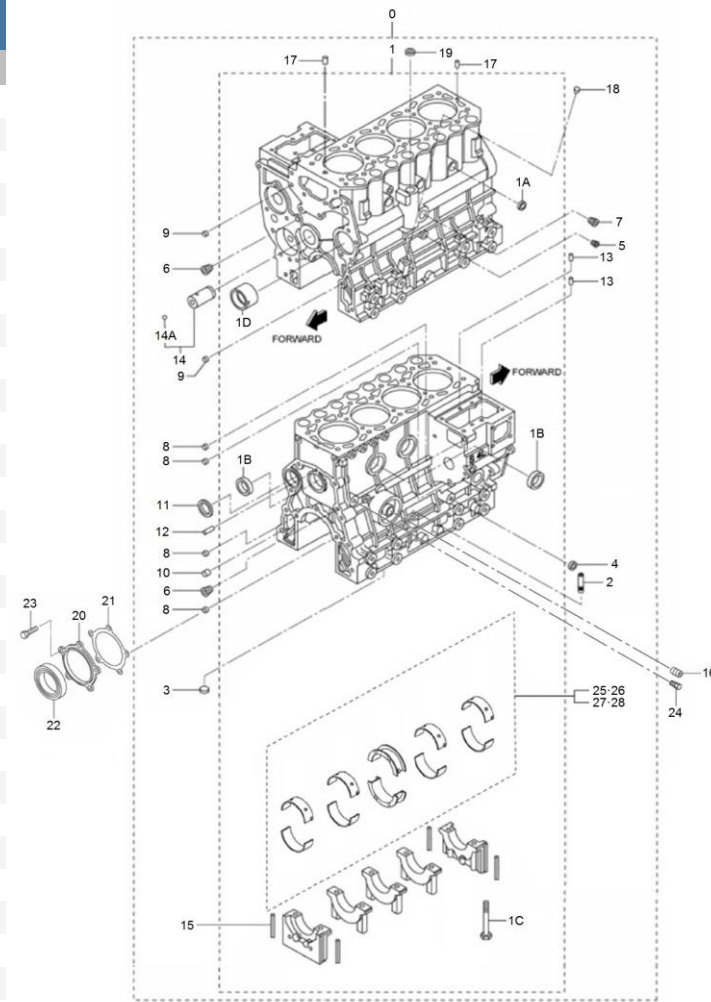


| D_MID1_1_5 |            | Gear Case |                         |      |      |
|------------|------------|-----------|-------------------------|------|------|
| FIG.       | REF.       | QTY       | DESCR.                  | FROM | UPTO |
| 1          | 17220024   | 1         | Plate, Front            |      |      |
| 2          | 17220018   | 1         | Gasket, Front Plate     |      |      |
| 3A         | 52102256   | 5         | Bolt DIN 933 M8-16 8.8  |      |      |
| 3B         | 53033008   | 12        | Washer GROWER DIN 127-8 |      |      |
| 4          | 17220035   | 1         | Case Gear               |      |      |
| 5          | 17220040   | 1         | Gasket, Gear Case       |      |      |
| 6          | 17220034.4 | 8         | Bolt                    |      |      |
| 7          | 13220039   | 1         | Seal Oil                |      |      |
| 8          | 17220037   | 1         | Housing, Gear Pump      |      |      |
| 9          | 17220038   | 1         | Gasket, Housing         |      |      |
| 10         | 13120046   | 1         | Cover Oil Pump SH       |      |      |
| 11         | 13120047   | 1         | Gasket Water Pump       |      |      |
| 12         | 13322078   | 1         | Bolt                    |      |      |
| 13         | 52101260   | 1         | Bolt DIN 931 M8-35 8.8  |      |      |
| 14         | 17120049   | 2         | Nut M8                  |      |      |
| 15         | 17024062   | 2         | Bolt                    |      |      |
| 16         | 17011007   | 1         | O-Ring D. 57X3          |      |      |
| 17         | 13811062   | 4         | Pump Bracket            |      |      |
| 18         | 51030008   | 4         | Washer DIN 125-8        |      |      |
| 19         | 52102257   | 4         | Bolt DIN 933 M8-20 8.8  |      |      |
| 20         | 17621003   | 1         | Cap Oil FILLER          |      |      |





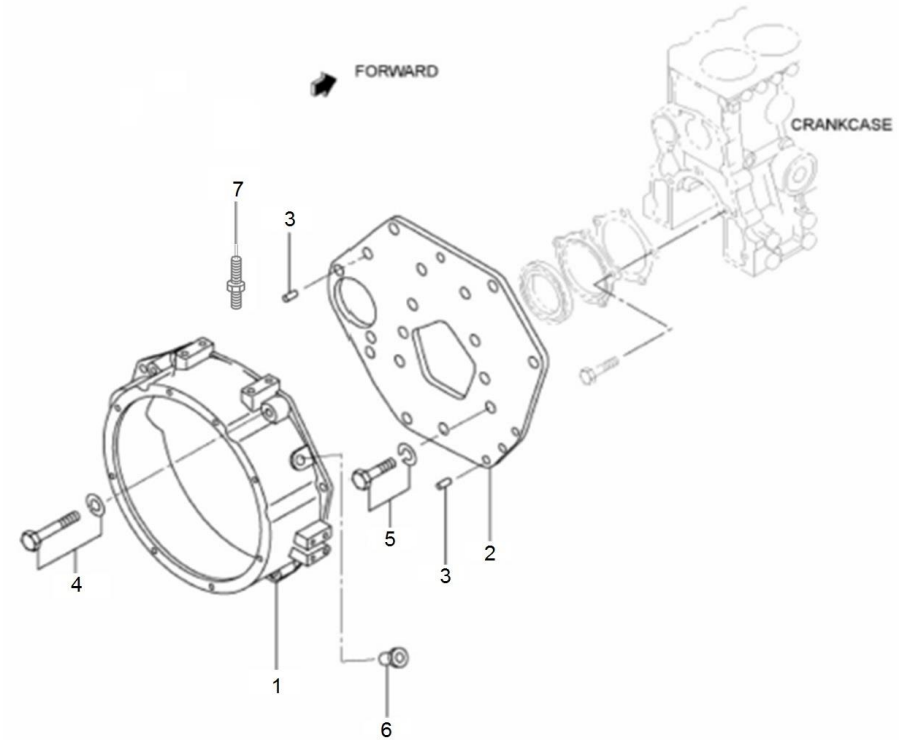
| D_GD01_1_6 |             | Cranckcase |                        |      |      |
|------------|-------------|------------|------------------------|------|------|
| FIG.       | REF.        | QTY        | DESCR.                 | FROM | UPTO |
| 0          | 17320001G.1 | 1          | Block Assy, Cylinder   |      |      |
| 1          | (*)         | 1          | Not available [NP]     |      |      |
| 1A         | 17220006    | 3          | Cap, Sealing           |      |      |
| 1B         | 13320006    | 3          | Cap, Sealing           |      |      |
| 1C         | 17220009    | 10         | Bolt Bearing Cap       |      |      |
| 1D         | 17220011    | 1          | Bushing, CamShaft      |      |      |
| 2          | 17620007.4  | 1          | Guide                  |      |      |
| 3          | 17220012.4  | 1          | Cap, Sealing           |      |      |
| 4          | 17220013    | 1          | Cap, Sealing           |      |      |
| 5          | 17820011    | 1          | Plug, Tapered          |      |      |
| 6          | 17720011    | 2          | Plug,TAPERED           |      |      |
| 7          | 17120021    | 1          | Plug,taper             |      |      |
| 8          | 13120009    | 4          | Bushing                |      |      |
| 9          | 13220021    | 2          | Bushing KNOCK          |      |      |
| 10         | 13220022    | 1          | BUSHING,KNOCK          |      |      |
| 11         | 17220019    | 1          | Plug, Expansion        |      |      |
| 12         | 17620020.4  | 1          | Pin                    |      |      |
| 13         | 17620036.4  | 2          | Pin Dowel              |      |      |
| 14         | 17220014    | 1          | Shaft Assy, IDLER      |      |      |
| 14A        | 17220028    | 1          | Ball                   |      |      |
| 15         | 17220002    | 4          | Seal, Side             |      |      |
| 16         | 13124047    | 1          | Shaft Oil Filter       |      |      |
| 17         | 17120019    | 2          | Pin, dowel             |      |      |
| 18         | 17220023    | 1          | Plug, TAPER            |      |      |
| 19         | 17020014    | 1          | Cap                    |      |      |
| 20         | 17220015    | 1          | Case, Oil Seal         |      |      |
| 21         | 17220016    | 1          | Gasket, Oil Seal Case  |      |      |
| 22         | 17220063    | 1          | Seal, Oil              |      |      |
| 23         | 52102257    | 5          | Bolt DIN 933 M8-20 8.8 |      |      |
| 24         | 17824003    | 1          | Plug, Tapered          |      |      |
| 25         | 13220003    | 1          | Bearing Set CRANK      |      |      |
| 26         | 13220004    | 1          | Bearing Set CRANK      |      |      |
| 27         | 17320005    | 1          | Bearing Set Crank [NP] |      |      |
| 28         | 17320006    | 1          | Bearing Set Crank [NP] |      |      |



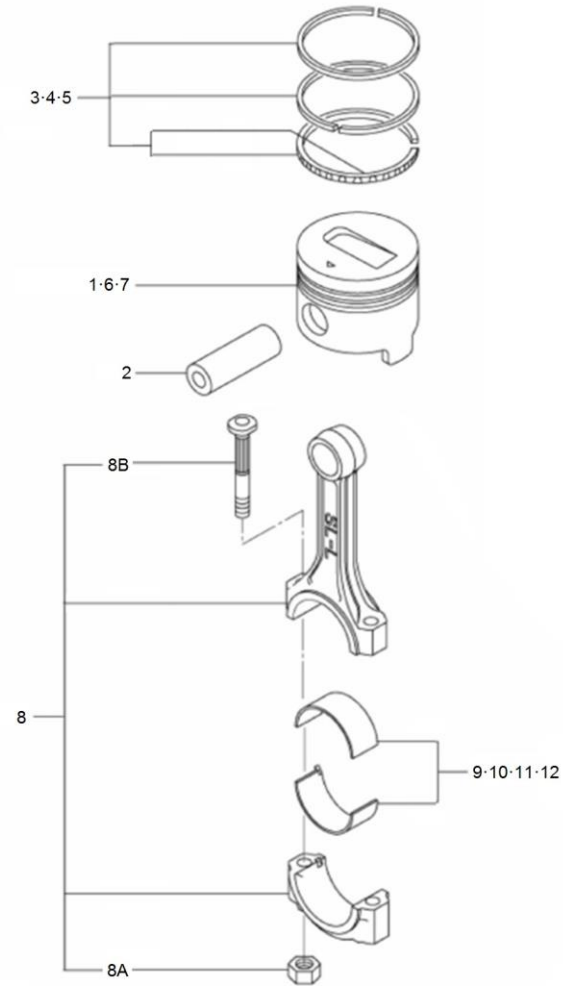
[NP] Not provided

| D_GD01_1_7                          |           | Rear Plate |  |      |      |  |
|-------------------------------------|-----------|------------|--|------|------|--|
| FIG.                                | REF.      | QTY        | DESCR.                                     | FROM | UPTO |  |
| 1A                                  | 17320016  | 1          | Rear Plate                                 |      |      |  |
| <i>Figure A for Standard System</i> |           |            |  |      |      |  |
| 1B                                  | 17220004G | 1          | Housing Flywheel Double Pick-Up(Generator) |      |      |  |
| <i>Figure b for Parallel System</i> |           |            |  |      |      |  |
| 2                                   | 17220017  | 1          | Plate, REAR                                |      |      |  |
| 3                                   | 17320026  | 2          | Pin  |      |      |  |
| 4                                   | 17320018  | 2          | Bolt                                       |      |      |  |
| 5                                   | 17320019  | 13         | Bolt                                       |      |      |  |
| 6                                   | 13820013G | 1          | Plug (Generator)                           |      |      |  |
| 7B                                  | 60972519  | 1          | Magnetic Speed Sensor                      |      |      |  |

*Figure b for Parallel System*

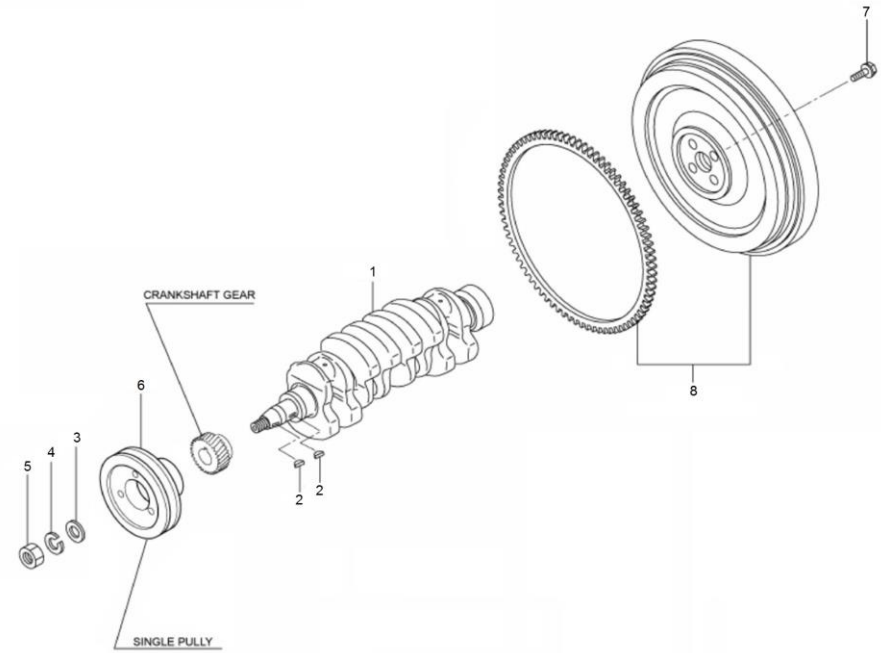


| D_GD01_1_8              |          |     |                           |      |      |  |
|-------------------------|----------|-----|---------------------------|------|------|--|
| Piston & Connecting Rod |          |     |                           |      |      |  |
| FIG.                    | REF.     | QTY | DESCR.                    | FROM | UPTO |  |
| 1                       | 17222005 | 4   | Piston                    |      |      |  |
| 2                       | 17222009 | 4   | Pin, Piston               |      |      |  |
| 3                       | 17722006 | 4   | Ring Set,Piston STD.      |      |      |  |
| 4                       | 17722007 | 4   | Ring Set,Piston O.S 0.25  |      |      |  |
| 5                       | 17722008 | 4   | Ring Set,Piston O.S 0.50  |      |      |  |
| 6                       | 17322012 | 4   | Piston + 0,25             |      |      |  |
| 7                       | 17322013 | 4   | Piston + 0,50             |      |      |  |
| 8                       | 17322010 | 4   | ROD Assy, CONNECTING      |      |      |  |
| 8A                      | 17022011 | 8   | Nut,connecting rod        |      |      |  |
| 8B                      | 17222013 | 8   | Bolt,connecting rod       |      |      |  |
| 9                       | 17222014 | 4   | Metal Set, Con Rod STD.   |      |      |  |
| 10                      | 17222015 | 4   | METAL Set, CON ROD - 0,25 |      |      |  |
| 11                      | 17222016 | 4   | METAL Set, CON ROD - 0,50 |      |      |  |
| 12                      | 17222017 | 4   | METAL Set, CON ROD - 0,75 |      |      |  |



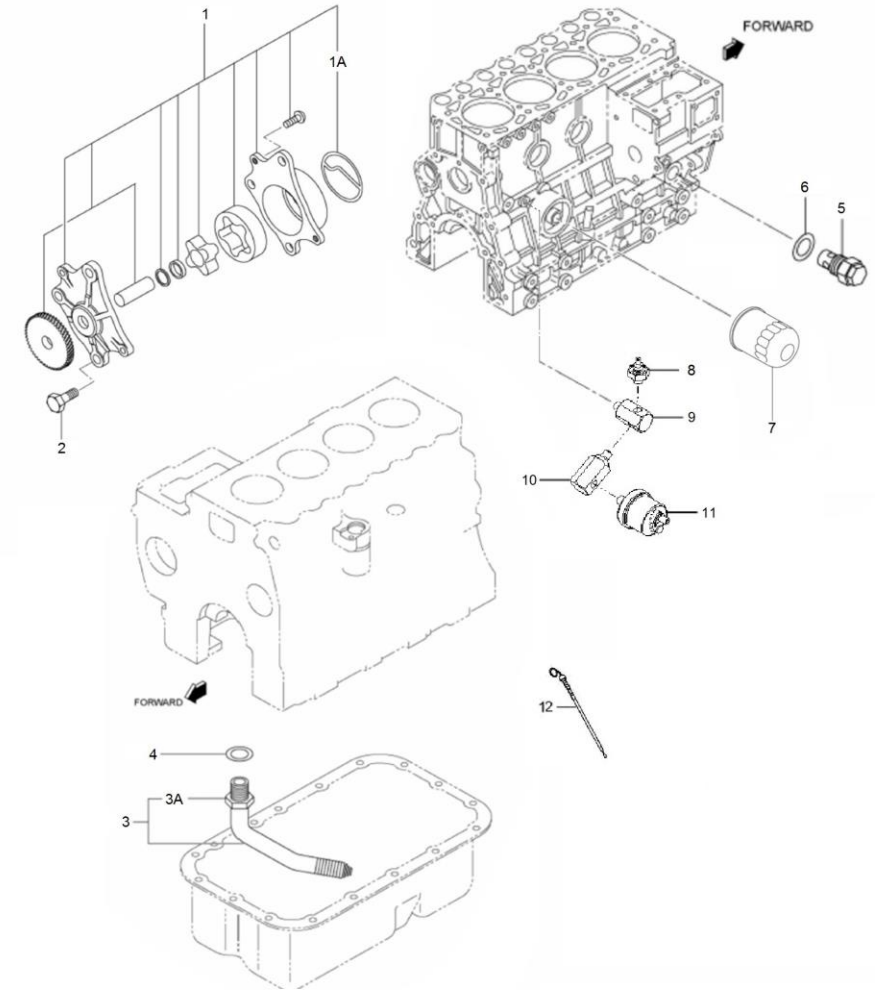


| D_GD01_1_9 |             | Crankshaft & Flywheel |                          |      |      |  |
|------------|-------------|-----------------------|--------------------------|------|------|--|
| FIG.       | REF.        | QTY                   | DESCR.                   | FROM | UPTO |  |
| 1          | 17322018    | 1                     | CrankShaft               |      |      |  |
| 2          | 13222020    | 2                     | KEY                      |      |      |  |
| 3          | 17222051    | 1                     | Washer, Plain            |      |      |  |
| 4          | 53033018    | 1                     | Washer GROWER DIN 127-18 |      |      |  |
| 5          | 13222026    | 1                     | Nut                      |      |      |  |
| 6          | 17322024.4  | 1                     | Pulley CrankShaft        |      |      |  |
| 7          | 17022031    | 4                     | Bolt Drive               |      |      |  |
| 8          | 17322027G.1 | 1                     | Flywheel Assy            |      |      |  |



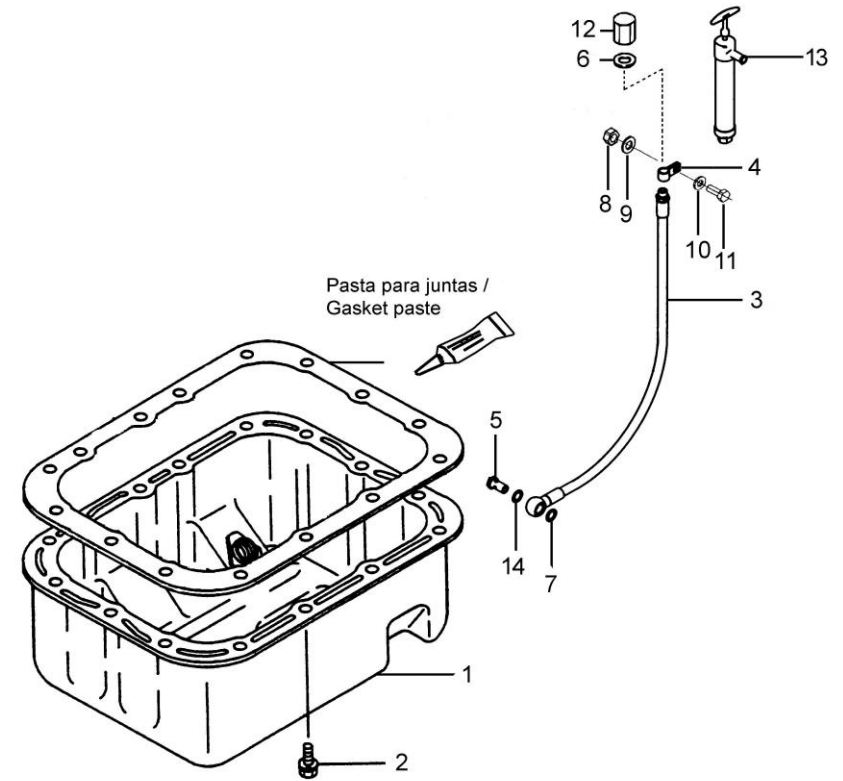


| D_GD01_1_10                         |            | Oil System |  |      |      |
|-------------------------------------|------------|------------|--|------|------|
| FIG.                                | REF.       | QTY        | DESCR.   | FROM | UPTO |
| 1                                   | 17224040   | 1          | Pump Assy, Oil                                   |      |      |
| 1A                                  | 17224041   | 1          | Packing, Body                                    |      |      |
| 2                                   | 17302258   | 3          | Bolt   |      |      |
| 3                                   | 13224052   | 1          | SCREEN Assy Oil                                  |      |      |
| 3A                                  | 13822026   | 1          | Nut  |      |      |
| 4                                   | 17024001   | 1          | Gasket   |      |      |
| 5                                   | 17124072   | 1          | Valve, Assy                                      |      |      |
| 6                                   | 17424063   | 1          | Gasket   |      |      |
| 7                                   | 13124051   | 1          | Oil Filter Element from MINI 11 to 55            |      |      |
| 8A                                  | 17127027.1 | 1          | SWITCH, oil pressure                             |      |      |
| <i>Figure A for Standard System</i> |            |            |  |      |      |
| 8B                                  | 60900979   | 1          | Earth Isolated Oil Press Switch 0.5 Bar M10x1 SG |      |      |
| <i>Figure b for Parallel System</i> |            |            |  |      |      |
| 9                                   | 13817051   | 1          | Sender Holder                                    |      |      |
| 10                                  | 17214058   | 1          | Sender Holder                                    |      |      |
| 11A                                 | 60900985   | 1          | Pressure Sensor                                  |      |      |
| <i>Figure A for Standard System</i> |            |            |  |      |      |
| 11B                                 | 60900990   | 1          | Sender, Oil Press 10 Bar Bipolar + Washer        |      |      |
| <i>Figure b for Parallel System</i> |            |            |  |      |      |
| 12                                  | 17220029   | 1          | Gauge Oil LEVEL                                  |      |      |



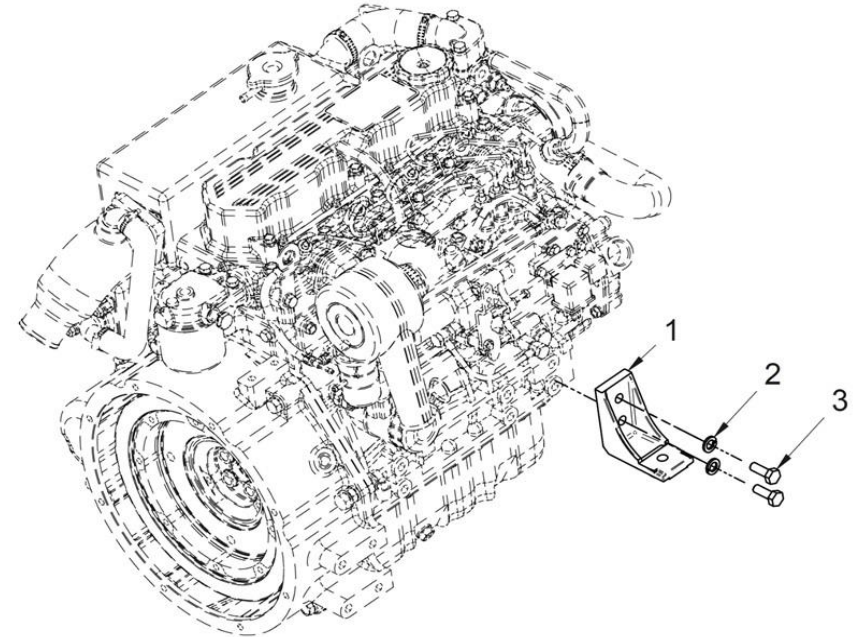


| D_GD01_1_11 |           | Oil Pan |                              |      |      |  |
|-------------|-----------|---------|------------------------------|------|------|--|
| FIG.        | REF.      | QTY     | DESCR.                       | FROM | UPTO |  |
| 1           | 17320030G | 1       | PAN Assy, Oil (Generator)    |      |      |  |
| 2           | 17821012  | 17      | Bolt,W/Washer                |      |      |  |
| 3           | 17214021  | 1       | ExtraCTION, Hose             |      |      |  |
| 4           | 17214022  | 1       | Bracket, Pipe                |      |      |  |
| 5           | 12814051  | 1       | Screw,eye                    |      |      |  |
| 6           | 56000217  | 1       | Washer 13-20-3               |      |      |  |
| 7           | 56000219  | 1       | Washer 14-20-3               |      |      |  |
| 8           | 52220012  | 1       | Nut DIN 934 M12-1,25 8.8     |      |      |  |
| 9           | 51030012  | 1       | Washer DIN 125-12            |      |      |  |
| 10          | 53038012  | 1       | Washer DIN 6798-A 12         |      |      |  |
| 11          | 52202363  | 1       | Bolt DIN 933 M12-1,25-50 8.8 |      |      |  |
| 12          | 16514020  | 1       | Plug                         |      |      |  |
| 13          | 14714001  | 1       | Oil Extraction Pump          |      |      |  |
| 14          | 56000069  | 1       | Washer 14-20-1,5             |      |      |  |

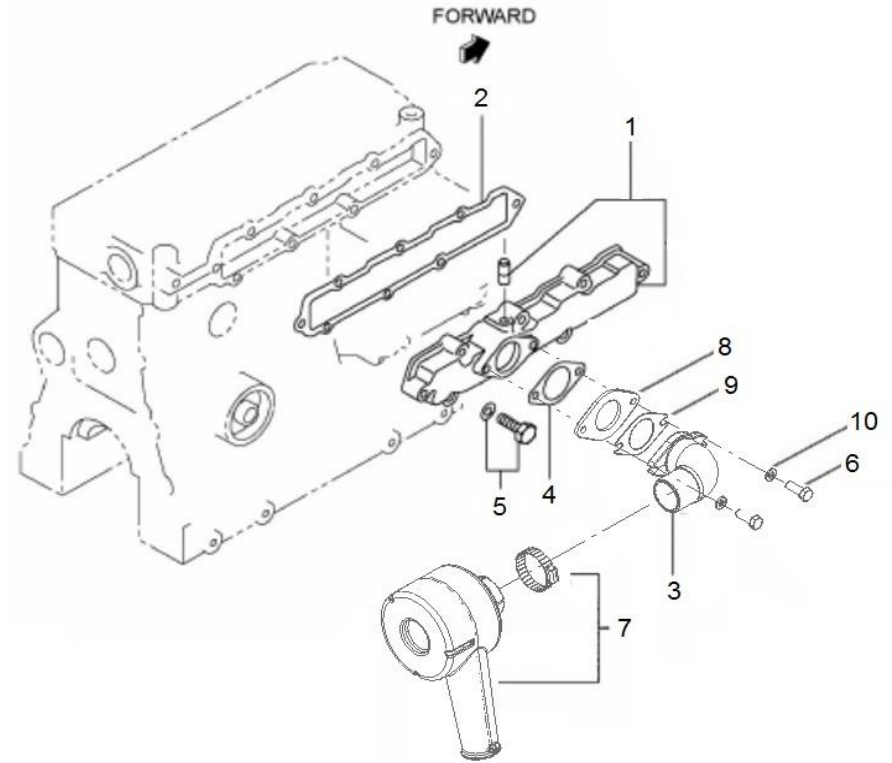




| D_GC01_1_12 |          | Engine Brackets |                              |      |      |  |
|-------------|----------|-----------------|------------------------------|------|------|--|
| FIG.        | REF.     | QTY             | DESCR.                       | FROM | UPTO |  |
| 1           | 17210034 | 2               | Front Bracket                |      |      |  |
| 2           | 53033012 | 2               | Washer Grower DIN 127-12     |      |      |  |
| 3           | 52202359 | 2               | Bolt DIN 933 M12-1,25-30 8.8 |      |      |  |

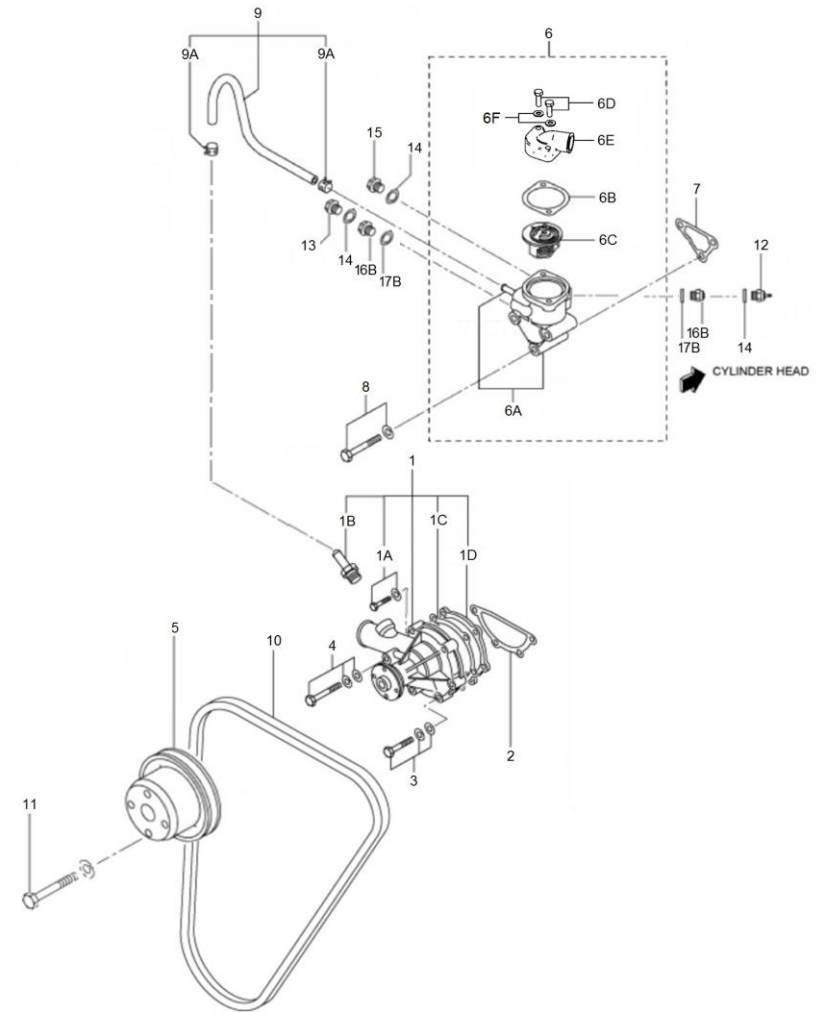


| D_GD01_2_1 |            | Inlet |                        |            |            |  |
|------------|------------|-------|------------------------|------------|------------|--|
| FIG.       | REF.       | QTY   | DESCR.                 | FROM       | UPTO       |  |
| 1          | 17321030G  | 1     | Cover Assy, Inlet      |            |            |  |
| 2          | 17321032   | 1     | Gasket, Inlet Cover    |            |            |  |
| 3          | 17210020   | 1     | Bend                   |            | 08/12/2019 |  |
| 3          | 17210020.1 | 1     | Elbow, Air Filter      | 09/12/2019 |            |  |
| 4          | 17221034   | 1     | Gasket, Inlet Pipe     |            | 08/12/2019 |  |
| 4          | 17321034.4 | 1     | Pipe Inlet Gasket      | 09/12/2019 |            |  |
| 5          | 17721011   | 8     | Bolt,W/Washer          |            |            |  |
| 6          | 17721012   | 2     | Bolt,W/Washer          |            | 25/11/2021 |  |
| 6          | 52102258   | 2     | Bolt DIN 933 M8-25 8.8 | 26/11/2021 |            |  |
| 7          | 13810074   | 1     | Air Filter             |            |            |  |
| 8          | 17310038   | 1     | Inlet Flange           | 26/11/2021 |            |  |
| 9          | 17321033   | 1     | Inlet Pipe Gasket      | 26/11/2021 |            |  |
| 10         | 53038008   | 2     | Washer DIN 6798-A 8    | 26/11/2021 |            |  |





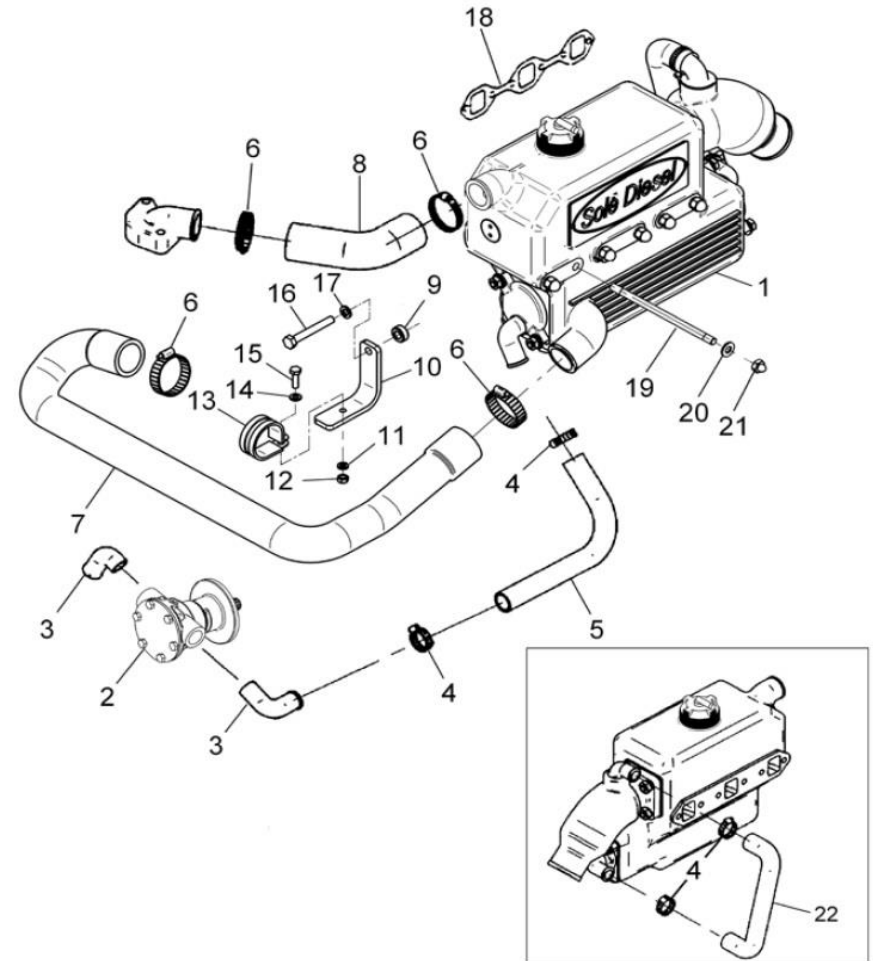
| D_GD01_3_1                          |             | Water Pump |                                     |      |      |  |
|-------------------------------------|-------------|------------|-------------------------------------|------|------|--|
| FIG.                                | REF.        | QTY        | DESCR.                              | FROM | UPTO |  |
| 1                                   | 17221020    | 1          | Fresh Water Pump                    |      |      |  |
| 1A                                  | 17321021    | 2          | Bolt                                |      |      |  |
| 1B                                  | 13221026    | 1          | NIPPLE Hose                         |      |      |  |
| 1C                                  | 13221041    | 1          | Gasket Water Pump                   |      |      |  |
| 1D                                  | 13221042    | 1          | Plate Water Pump                    |      |      |  |
| 2                                   | 13221022    | 1          | Gasket Water Pump                   |      |      |  |
| 3                                   | 52101262    | 3          | Bolt DIN 931 M8-45 8.8              |      |      |  |
| 4                                   | 17201265    | 1          | Bolt                                |      |      |  |
| 5                                   | 17221021    | 1          | Pulley,Water Pump                   |      |      |  |
| 6                                   | (*)         | 1          | Not available [NP]                  |      |      |  |
| 6A                                  | 17221037    | 1          | Assy Thermostat                     |      |      |  |
| 6B                                  | 17221031    | 1          | Gasket,Thermostat                   |      |      |  |
| 6C                                  | 17221027    | 1          | Thermostat                          |      |      |  |
| 6D                                  | 52101260    | 2          | Bolt DIN 931 M8-35 8.8              |      |      |  |
| 6E                                  | 17211020    | 2          | Fitting, Water Outlet               |      |      |  |
| 6F                                  | 53038008    | 2          | Washer DIN 6798-A 8                 |      |      |  |
| 7                                   | 17221033    | 1          | Gasket, Thermostat Case             |      |      |  |
| 8                                   | 17420062G.1 | 3          | Bolt,W/Washer (Generator)           |      |      |  |
| 9                                   | 17221025    | 1          | Hose Assy                           |      |      |  |
| 9A                                  | 17824029    | 2          | Clip,Hose                           |      |      |  |
| 10                                  | 17221060G   | 1          | V-Belt                              |      |      |  |
| 11                                  | 17302155    | 4          | Bolt                                |      |      |  |
| 12A                                 | 60900070    | 1          | Thermo-Switch 97°C                  |      |      |  |
| <i>Figure A for Standard System</i> |             |            |                                     |      |      |  |
| 12B                                 | 60900973    | 1          | High Coolant, 2 Poles 95° SG        |      |      |  |
| <i>Figure b for Parallel System</i> |             |            |                                     |      |      |  |
| 13                                  | 17121016    | 1          | Plug, drain                         |      |      |  |
| 14                                  | MH594601601 | 3          | Washer [NP]                         |      |      |  |
| 15A                                 | 60900980    | 1          | Temperature Sensor                  |      |      |  |
| <i>Figure A for Standard System</i> |             |            |                                     |      |      |  |
| 15B                                 | 60900983    | 1          | Bipolar Temperature Sender SG       |      |      |  |
| <i>Figure b for Parallel System</i> |             |            |                                     |      |      |  |
| 16B                                 | 60900999    | 2          | Connection M14X1,5 5/8" EXA.22 L=22 |      |      |  |
| <i>Figure b for Parallel System</i> |             |            |                                     |      |      |  |
| 17B                                 | 56000073    | 2          | Copper Washer 16-23-1,5             |      |      |  |
| <i>Figure b for Parallel System</i> |             |            |                                     |      |      |  |



[NP] Not provided

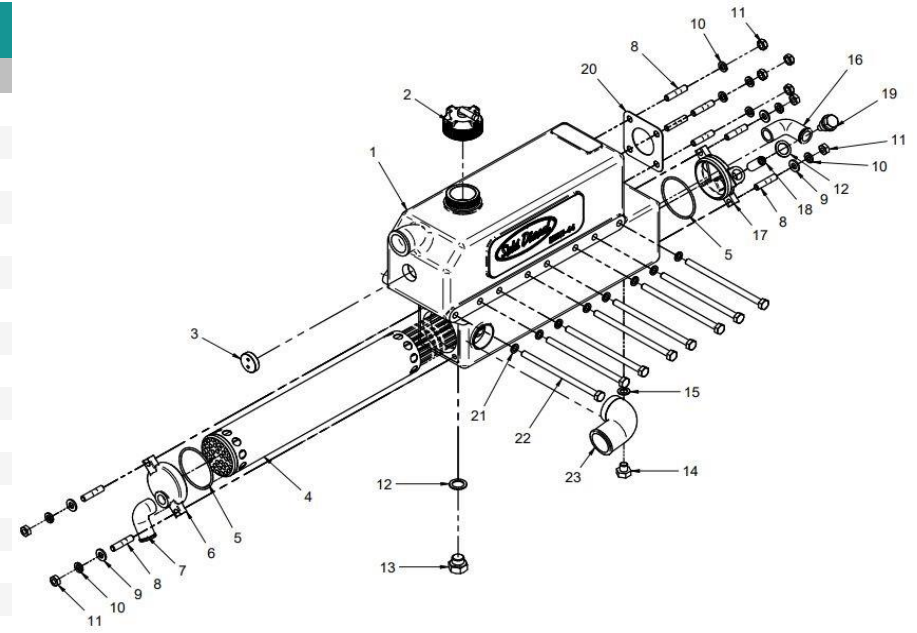


| D_MID1_3_2 |           | Cooler Pipes |  |            |            |  |
|------------|-----------|--------------|--|------------|------------|--|
| FIG.       | REF.      | QTY          | DESCR.                                 | FROM       | UPTO       |  |
| 1          | 17311002R | 1            | Water Cooler Assy MINI-44 (Spare Part) |            |            |  |
| 2          | 33811000  | 1            | 1/2" Pump Water, Set                   |            | 24/01/2017 |  |
| 2          | 37011200  | 1            | Splined Pump 3/8" MINI-48 Gen-26/33/44 |            | 18/01/2017 |  |
| 2          | 37611000  | 1            | Splined Pump 1/2" MINI-11/17/29/33/44  | 25/01/2017 |            |  |
| 3          | 13811027  | 2            | Elbow 1/2"                             |            |            |  |
| 4          | 54081016  | 4            | Clamp DIN 3017 16-27/9 W4              | 13/09/2017 |            |  |
| 4          | 54081020  | 4            | Clamp DIN 3017 20-32/9 W4              |            | 12/09/2017 |  |
| 5          | 17011012  | 1            | Elbow                                  |            |            |  |
| 6          | 54082032  | 4            | Clamp DIN 3017 32-50/12 W4             |            |            |  |
| 7          | 17211006  | 1            | Hose                                   |            |            |  |
| 8          | 17211021  | 1            | Elbow                                  |            |            |  |
| 9          | 12117044  | 1            | Spacer                                 |            |            |  |
| 10         | 17211029  | 1            | Bracket, Pipe                          |            |            |  |
| 11         | 53033006  | 1            | Washer GROWER DIN 127-6                |            |            |  |
| 12         | 52120006  | 1            | Nut DIN 934 M6 8.8                     |            |            |  |
| 13         | 51071373  | 1            | Clamp 31-40/15 W1                      |            |            |  |
| 14         | 51030006  | 1            | Washer DIN 125-6                       |            |            |  |
| 15         | 52102157  | 1            | Bolt DIN 933 M6-20 8.8                 |            |            |  |
| 16         | 52101265  | 1            | Bolt DIN 931 M8-60 8.8                 |            |            |  |
| 17         | 53033008  | 1            | Washer GROWER DIN 127-8                |            |            |  |
| 18         | 17321035  | 1            | Gasket                                 |            |            |  |
| 19         | 17211015  | 8            | MANIFOLD MOUNTING Stud                 |            |            |  |
| 20         | 56000057  | 8            | Washer 8-13-1,5                        |            |            |  |
| 21         | 55122008  | 8            | Nut DIN 1587 M8                        |            |            |  |
| 22         | 17211034  | 1            | Rubber WET Exhaust Inlet BEND          |            |            |  |





| D_17311002R |          | Water Cooler Assy MINI-44 v6 from to 27/11/2020 |                               |      |      |
|-------------|----------|---|-------------------------------|------|------|
| FIG.        | REF.     | QTY   | DESCR.                        | FROM | UPTO |
| 1           | 17311003 | 1   | Body, Water Cooler [NP]       |      |      |
| 2           | 13811010 | 1   | Cap                           |      |      |
| 3           | 12113092 | 1   | Plug                          |      |      |
| 4           | 17011004 | 1   | Tubular Bundle                |      |      |
| 5           | 13811007 | 2   | O-Ring D. 57X2,5              |      |      |
| 6           | 13811002 | 1   | Water Cooler Cover            |      |      |
| 7           | 13211027 | 1   | Water Inlet Bend              |      |      |
| 8           | 13311006 | 8   | Stud,cover                    |      |      |
| 9           | 51030008 | 4   | Washer DIN 125-8              |      |      |
| 10          | 53033008 | 8   | Washer GROWER DIN 127-8       |      |      |
| 11          | 54120008 | 8   | Nut DIN 934 M8                |      |      |
| 12          | 56000073 | 2   | Copper Washer 16-23-1,5       |      |      |
| 13          | 12111076 | 1   | Plug                          |      |      |
| 14          | 54102306 | 1   | Bolt DIN 933 M10-16 INOX.     |      |      |
| 15          | 56000061 | 1   | Washer 10-16-1,5              |      |      |
| 16          | 13211035 | 1   | Exhaust Manifold Outlet Bend  |      |      |
| 17          | 17211042 | 1   | Water Cooler Cover            |      |      |
| 18          | 13811043 | 1   | Engine Anode 29.5 mm M.8      |      |      |
| 19          | 18011009 | 1   | Anode Plug                    |      |      |
| 20          | 15113043 | 1   | Exhaust Elbow Gasket          |      |      |
| 21          | 56000057 | 8   | Washer 8-13-1,5               |      |      |
| 22          | 54101323 | 8   | Bolt DIN 931 M8-140 Inox.     |      |      |
| 23          | 17111011 | 1   | Elbow 1 1/8"                  |      |      |
| NS          | 17311040 | 1   | MINI-44 Cooling Adhesive [NS] |      |      |

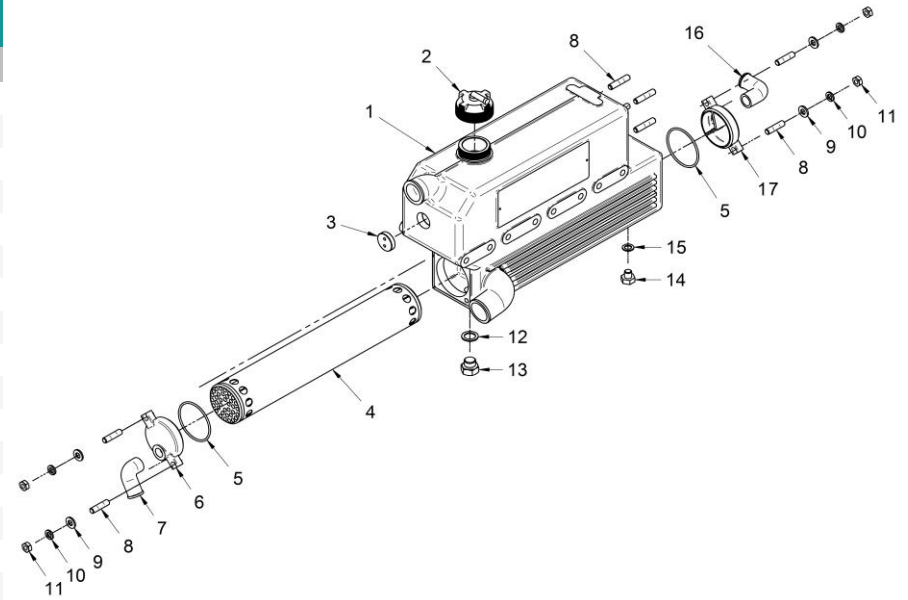


[NP] Not provided

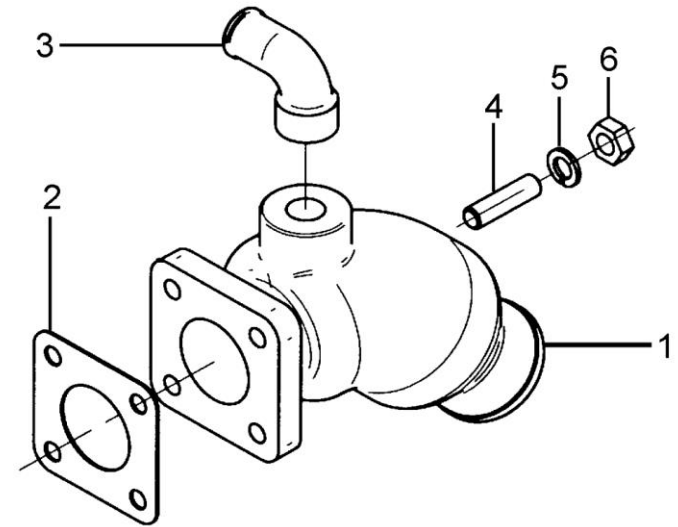
[NS] Not shown



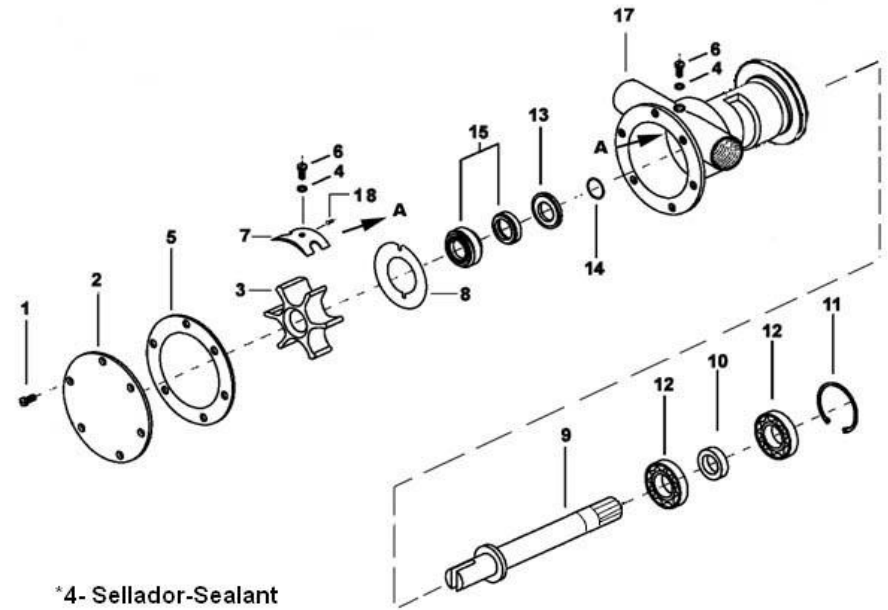
| 17311000 Water Cooler Assy MINI-44 up to 27/11/2020 |           |     |                              |      |      |  |
|---|-----------|-----|------------------------------|------|------|--|
| FIG.  | REF.      | QTY | DESCR.                       | FROM | UPTO |  |
| 1   | 17311001  | 1   | Body, Water Cooler           |      |      |  |
| 2   | 13811010  | 1   | Cap                          |      |      |  |
| 3   | 12113092  | 1   | Plug                         |      |      |  |
| 4   | 17011004  | 1   | Tubular Bundle               |      |      |  |
| 5   | 13811007  | 2   | O-Ring D. 57X2,5             |      |      |  |
| 6   | 13811002  | 1   | Water Cooler Cover           |      |      |  |
| 7   | 13211027  | 1   | Water Inlet Bend             |      |      |  |
| 8   | 13311006  | 8   | Stud,cover                   |      |      |  |
| 9   | 51030008  | 4   | Washer DIN 125-8             |      |      |  |
| 10  | 53033008  | 4   | Washer GROWER DIN 127-8      |      |      |  |
| 11  | 54120008  | 4   | Nut DIN 934 M8               |      |      |  |
| 12  | 56000073  | 1   | Copper Washer 16-23-1,5      |      |      |  |
| 13  | 12111076  | 1   | Plug                         |      |      |  |
| 14  | 54102306  | 1   | Bolt DIN 933 M10-16 INOX.    |      |      |  |
| 15  | 56000061  | 1   | Washer 10-16-1,5             |      |      |  |
| 16  | 13211035  | 1   | Exhaust Manifold Outlet Bend |      |      |  |
| 17  | 17211042A | 1   | Cover,water cooler anode     |      |      |  |



| D_GC01_3_5 |           | Wet Exhaust |                         |      |      |  |
|------------|-----------|-------------|-------------------------|------|------|--|
| FIG.       | REF.      | QTY         | DESCR.                  | FROM | UPTO |  |
| 1          | 17013015G | 1           | Elbow,WET Exhaust       |      |      |  |
| 2          | 15113043  | 1           | Exhaust Elbow Gasket    |      |      |  |
| 3          | 17211028  | 1           | Water Bend              |      |      |  |
| 4          | 13311006  | 4           | Stud,cover              |      |      |  |
| 5          | 53033008  | 4           | Washer GROWER DIN 127-8 |      |      |  |
| 6          | 52120008  | 4           | Nut DIN 934 M8 8.8      |      |      |  |



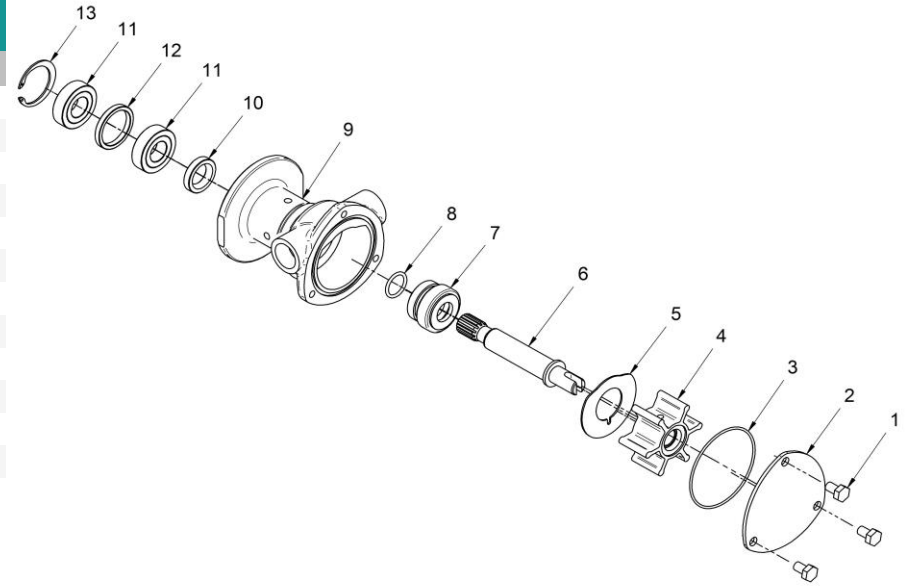
| 33811000 |          | 1/2" Pump Water, Set |                          |      |      |
|----------|----------|----------------------|--------------------------|------|------|
| FIG.     | REF.     | QTY                  | DESCR.                   | FROM | UPTO |
| 1        | 54102104 | 6                    | Bolt DIN 933 M5-10 INOX. |      |      |
| 2        | 31211002 | 1                    | Cover Pump               |      |      |
| 3        | 31211008 | 1                    | 1/2" Impeller            |      |      |
| 5        | 31211003 | 1                    | Gasket Cover             |      |      |
| 6        | 55307105 | 1                    | Bolt DIN 86 W3/16-13     |      |      |
| 7        | 31211005 | 1                    | Cam                      |      |      |
| 8        | 33411026 | 1                    | Wearplate                |      |      |
| 9        | 33811010 | 1                    | Shaft,Water Pump         |      |      |
| 10       | 33811015 | 1                    | Spacer                   |      |      |
| 11       | 53041032 | 1                    | CIRClip DIN 472 I-32     |      |      |
| 12       | 33411014 | 2                    | Ball Bearing 6002-C3     |      |      |
| 13       | 33411020 | 1                    | Seal                     |      |      |
| 14       | 33311013 | 1                    | O-Ring D. 15X2           |      |      |
| 15       | 33411019 | 1                    | Seal                     |      |      |
| 17       | 33811001 | 1                    | Body,Water Pump [NP]     |      |      |
| 18       | 33411017 | 1                    | Pin,Dowel                |      |      |



[NP] Not provided

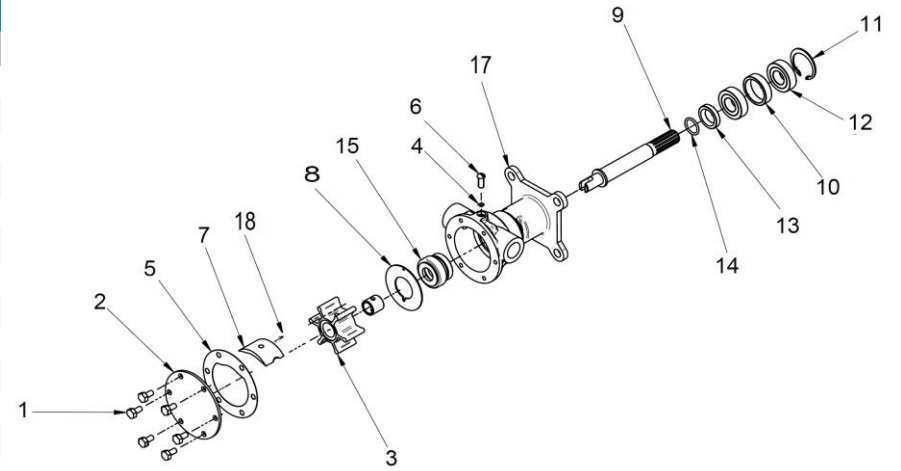


| 37611000 |          | Splined Pump 1/2" MINI-11/17/29/33/44 |                         |      |            |
|----------|----------|---------------------------------------|-------------------------|------|------------|
| FIG.     | REF.     | QTY                                   | DESCR.                  | FROM | UPTO       |
| 1        | 54102154 | 3                                     | Bolt DIN 933 M6-10 INOX |      |            |
| 2        | 37611002 | 1                                     | Cover Pump              |      |            |
| 3        | 37611003 | 1                                     | O-Ring D. 57x1,5        |      | 01/06/2022 |
| 4        | 31211008 | 1                                     | 1/2" Impeller           |      |            |
| 5        | 37611026 | 1                                     | Plate, Friction         |      |            |
| 6        | 33811010 | 1                                     | Shaft, Water Pump       |      |            |
| 7        | 33411019 | 1                                     | Seal                    |      |            |
| 8        | 33311013 | 1                                     | O-Ring D. 15X2          |      |            |
| 9        | 37611001 | 1                                     | Body, Water Pump 1/2"   |      |            |
| 10       | 33411020 | 1                                     | Seal                    |      |            |
| 11       | 33411014 | 2                                     | Ball Bearing 6002-C3    |      |            |
| 12       | 33811015 | 1                                     | Spacer                  |      |            |
| 13       | 53041032 | 1                                     | CIRClip DIN 472 I-32    |      |            |





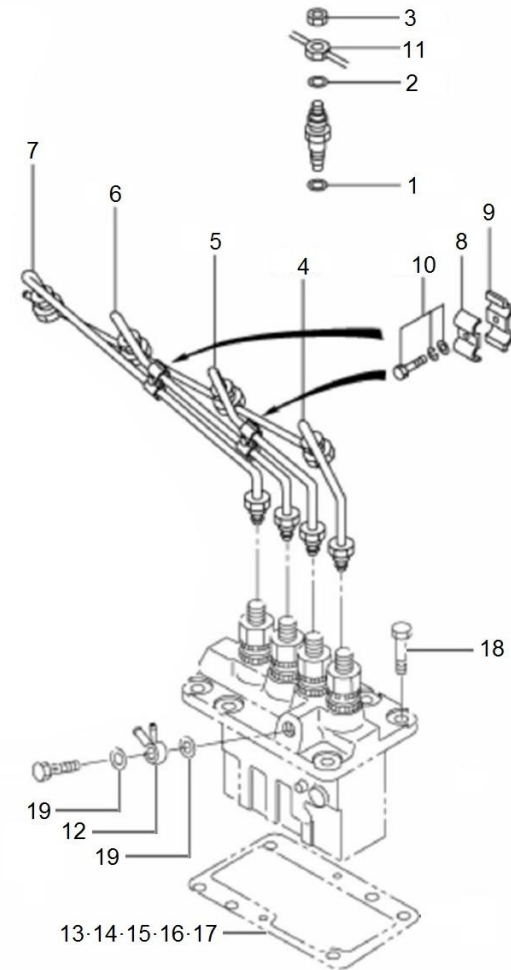
| 37011200 |          | Splined Pump 3/8" MINI-48 Gen-26/33/44 |                          |      |      |
|----------|----------|--|--------------------------|------|------|
| FIG.     | REF.     | QTY                                    | DESCR.                   | FROM | UPTO |
| 1        | 54102104 | 6                                      | Bolt DIN 933 M5-10 INOX. |      |      |
| 2        | 31211002 | 1                                      | Cover Pump               |      |      |
| 3        | 31211008 | 1                                      | 1/2" Impeller            |      |      |
| 5        | 31211003 | 1                                      | Gasket Cover             |      |      |
| 6        | 55307105 | 1                                      | Bolt DIN 86 W3/16-13     |      |      |
| 7        | 31211005 | 1                                      | Cam                      |      |      |
| 8        | 33411026 | 1                                      | Wearplate                |      |      |
| 9        | 37011210 | 1                                      | Shaft,water pump         |      |      |
| 10       | 33411015 | 1                                      | Spacer 32X26X8           |      |      |
| 11       | 53041032 | 1                                      | CIRClip DIN 472 I-32     |      |      |
| 12       | 33411014 | 2                                      | Ball Bearing 6002-C3     |      |      |
| 13       | 33411020 | 1                                      | Seal                     |      |      |
| 14       | 33311013 | 1                                      | O-Ring D. 15X2           |      |      |
| 15       | 33411019 | 1                                      | Seal                     |      |      |
| 17       | 33411001 | 1                                      | Body,Water Pump          |      |      |
| 18       | 33411017 | 1                                      | Pin,Dowel                |      |      |



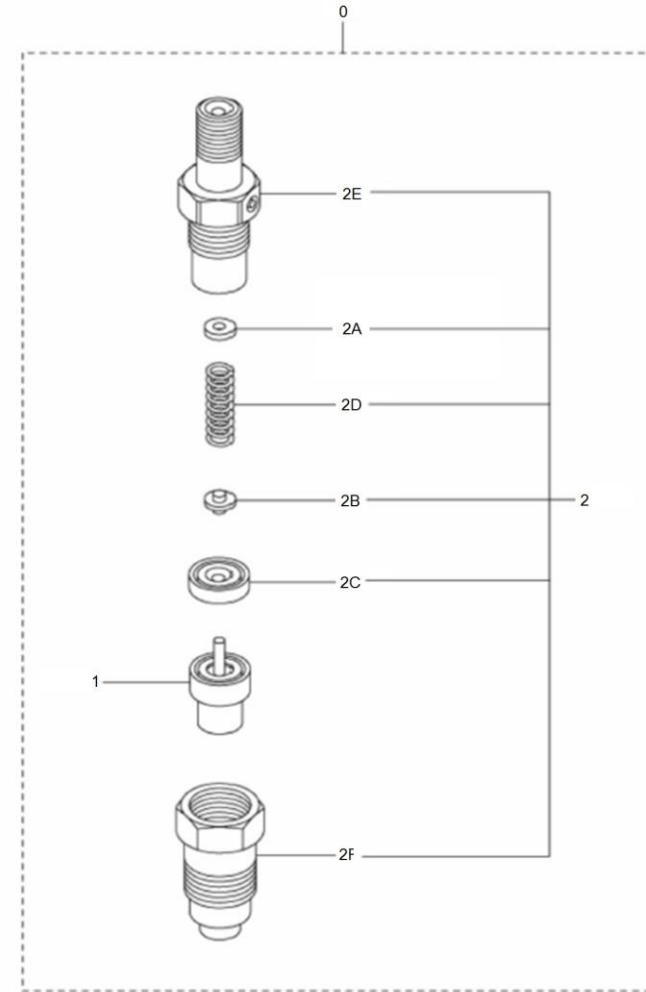
\*4 - Sellador - Sealant



| D_GD01_4_1 Fuel Pipe |             |     |                                 |      |      |  |
|----------------------|-------------|-----|---------------------------------|------|------|--|
| FIG.                 | REF.        | QTY | DESCR.                          | FROM | UPTO |  |
| 1                    | 13824013    | 4   | Injector Washer                 |      |      |  |
| 2                    | 17424025G.1 | 4   | Gasket Fuel Return (Genset)     |      |      |  |
| 3                    | 13824024    | 4   | Nut                             |      |      |  |
| 4                    | 17324015G   | 1   | Pipe, Injection N°1 (Generator) |      |      |  |
| 5                    | 17324016G   | 1   | Pipe Injection N.2 (Genset)     |      |      |  |
| 6                    | 17324019G   | 1   | Pipe Injection N.3 (GENGET)     |      |      |  |
| 7                    | 17324020G   | 1   | Pipe Injection N.4 (Genset)     |      |      |  |
| 8                    | 17824011    | 2   | Clamp                           |      |      |  |
| 9                    | 17824012    | 2   | Clamp                           |      |      |  |
| 10                   | 17524025    | 2   | Bolt,W/Washer                   |      |      |  |
| 11                   | 17324002G   | 1   | Pipe, Fuel Leak OFF (Generator) |      |      |  |
| 12                   | 17324017G   | 1   | Color, Union                    |      |      |  |
| 13                   | 13224008    | 1   | Shim Adjusting T=0,7mm          |      |      |  |
| 14                   | 13224009    | 1   | Shim Adjusting T=0,8mm          |      |      |  |
| 15                   | 13224010    | 1   | Shim Adjusting T=0,9mm          |      |      |  |
| 16                   | 13224011    | 1   | Shim Adjusting T=1,0mm          |      |      |  |
| 17                   | 13224003    | 1   | Shim Adjusting T=0,2mm          |      |      |  |
| 18                   | 52102257    | 6   | Bolt DIN 933 M8-20 8.8          |      |      |  |
| 19                   | 13224001    | 2   | Washer                          |      |      |  |

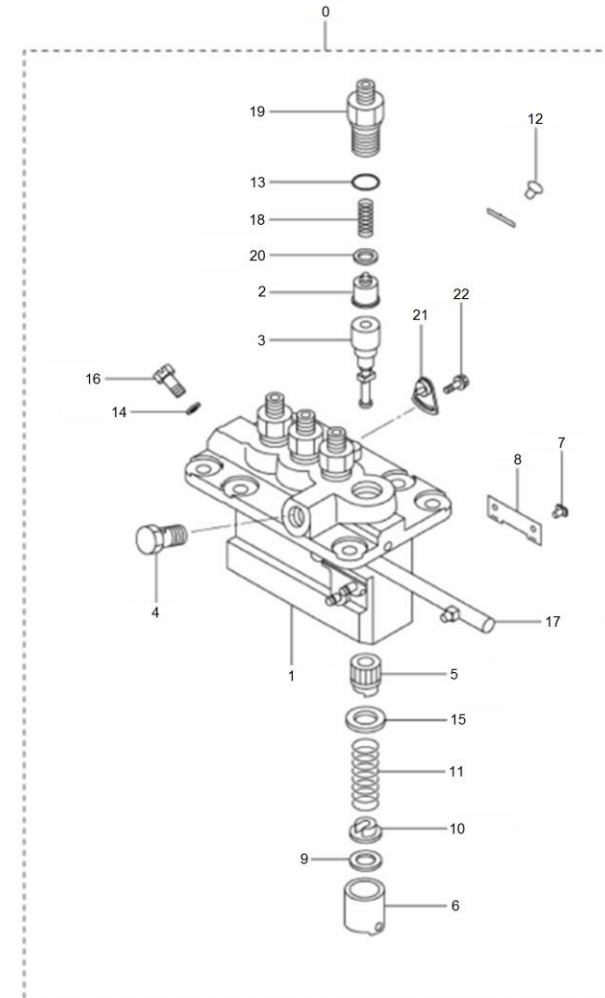


| D_GD01_4_2 |          | Injection Nozzle |                       |      |      |  |
|------------|----------|------------------|-----------------------|------|------|--|
| FIG.       | REF.     | QTY              | DESCR.                | FROM | UPTO |  |
| 0          | 13826001 | 4                | Nozzle & Holder A     |      |      |  |
| 1          | 13826018 | 4                | Nozzle Assy           |      |      |  |
| 2          | 17426003 | 4                | Fuel Injector [NP]    |      |      |  |
| 2AA        | 13826010 | 4                | Washer 1,25           |      |      |  |
| 2AB        | 13826011 | 4                | Washer 1,30           |      |      |  |
| 2AC        | 13826012 | 4                | Washer 1,35           |      |      |  |
| 2AD        | 13826013 | 4                | Washer 1,40           |      |      |  |
| 2AE        | 13826014 | 4                | Washer 1,45 [NP]      |      |      |  |
| 2AF        | 13826015 | 4                | Washer 1,50           |      |      |  |
| 2AG        | 13826016 | 4                | Washer 1,55           |      |      |  |
| 2AH        | 13826017 | 4                | Washer 1,60           |      |      |  |
| 2AI        | 13826019 | 4                | Washer 1,65           |      |      |  |
| 2AJ        | 13826020 | 4                | Washer 1,70           |      |      |  |
| 2B         | 13826003 | 4                | Pin Pressure          |      |      |  |
| 2C         | 13826007 | 4                | PIECE DISTANCE        |      |      |  |
| 2D         | 17226004 | 4                | Spring, Pressure [NP] |      |      |  |
| 2E         | 13826002 | 4                | Body Assy             |      |      |  |
| 2F         | 17226009 | 4                | Nut                   |      |      |  |



[NP] Not provided

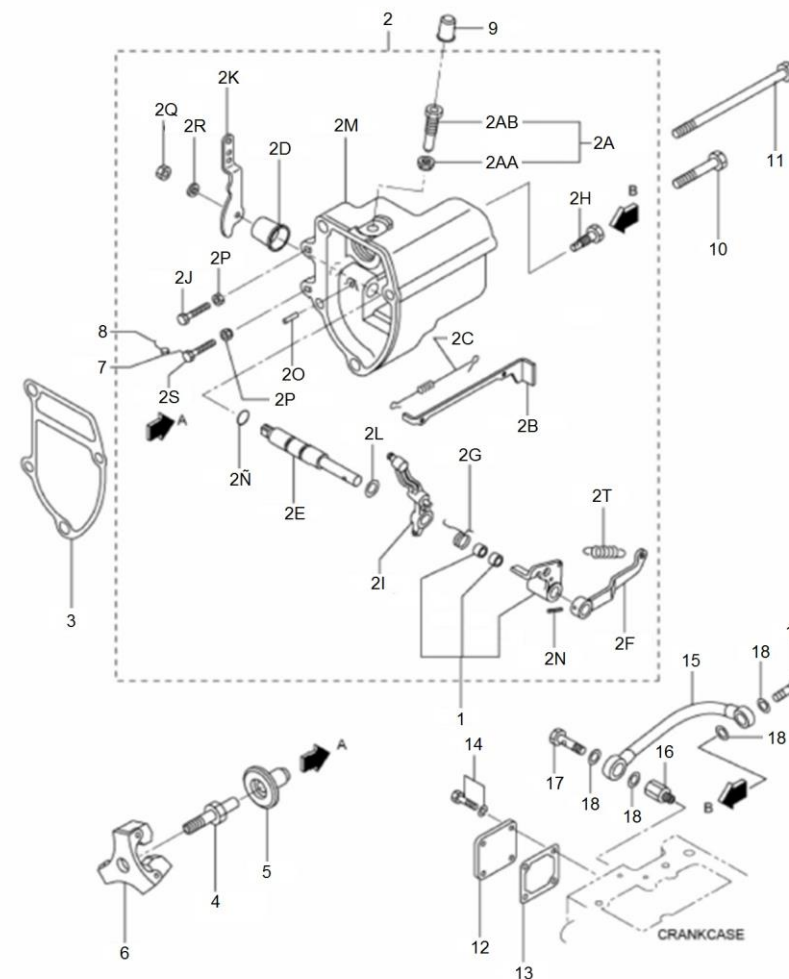
| D_GD01_4_3 |            | Fuel Injection Pump |                                   |      |      |  |
|------------|------------|---------------------|-----------------------------------|------|------|--|
| FIG.       | REF.       | QTY                 | DESCR.                            | FROM | UPTO |  |
| 0          | 17325001G  | 1                   | Pump Assy, Fuel INJEC.(Generator) |      |      |  |
| 1          | 17325005G  | 1                   | Housing SUB Assy                  |      |      |  |
| 2          | 17225009G  | 4                   | Element SUB Assy (Generator)      |      |      |  |
| 3          | 17325008G  | 4                   | Valve SUB Assy (Generator)        |      |      |  |
| 4          | 17325027.1 | 1                   | Screw,HOLLOW                      |      |      |  |
| 5          | 13125010   | 4                   | SLEEVE                            |      |      |  |
| 6          | 13125021   | 4                   | Tappet SUB Assy                   |      |      |  |
| 7          | 13125022   | 4                   | Pin Tappet Guide                  |      |      |  |
| 8          | 13125023   | 2                   | Plate                             |      |      |  |
| 9A         | 13125014   | 4                   | Shim T=0,60                       |      |      |  |
| 9B         | 13125015   | 4                   | Shim T=0,2                        |      |      |  |
| 9C         | 13125016   | 4                   | Shim Adjusting T=0,3              |      |      |  |
| 9D         | 17325016   | 4                   | Shim Adjusting T=0,40MM [NP]      |      |      |  |
| 9E         | 17325017   | 4                   | Shim Adjusting T=0,50MM [NP]      |      |      |  |
| 9F         | 17325018   | 4                   | Shim Adjusting T=0,25MM [NP]      |      |      |  |
| 9G         | 17325019   | 4                   | Shim Adjusting T=0,35MM [NP]      |      |      |  |
| 9H         | 13725021   | 4                   | Shim Adjusting T=0,45MM.          |      |      |  |
| 9I         | 13725022   | 4                   | Shim Adjusting T=0,55MM.          |      |      |  |
| 9J         | 13725023   | 4                   | Shim Adjusting T=0,65MM.          |      |      |  |
| 10         | 13125013   | 4                   | Seat Spring LOWER                 |      |      |  |
| 11         | 13125012   | 4                   | Spring Plunger                    |      |      |  |
| 12         | 13125003   | 2                   | RIVET [NP]                        |      |      |  |
| 13         | 13125033   | 4                   | O-Ring D. 15X2,5                  |      |      |  |
| 14         | 17225025.3 | 1                   | Washer DRAIN Screw                |      |      |  |
| 15         | 13125011   | 4                   | Seat Spring Upper                 |      |      |  |
| 16         | 17225026.3 | 1                   | Screw Air BLEEDER                 |      |      |  |
| 17         | 17025006   | 1                   | RACK Control                      |      |      |  |
| 18         | 17225002   | 4                   | Spring DELIVERY Valve             |      |      |  |
| 19         | 13125004   | 4                   | Holder DELIVERY V                 |      |      |  |
| 20         | 13125007   | 4                   | Gasket DELIVERY V                 |      |      |  |
| 21         | 13125030   | 3                   | Plate Assy Pressure               |      |      |  |
| 22         | 17225028   | 3                   | Bolt, With Washer                 |      |      |  |



[NP] Not provided



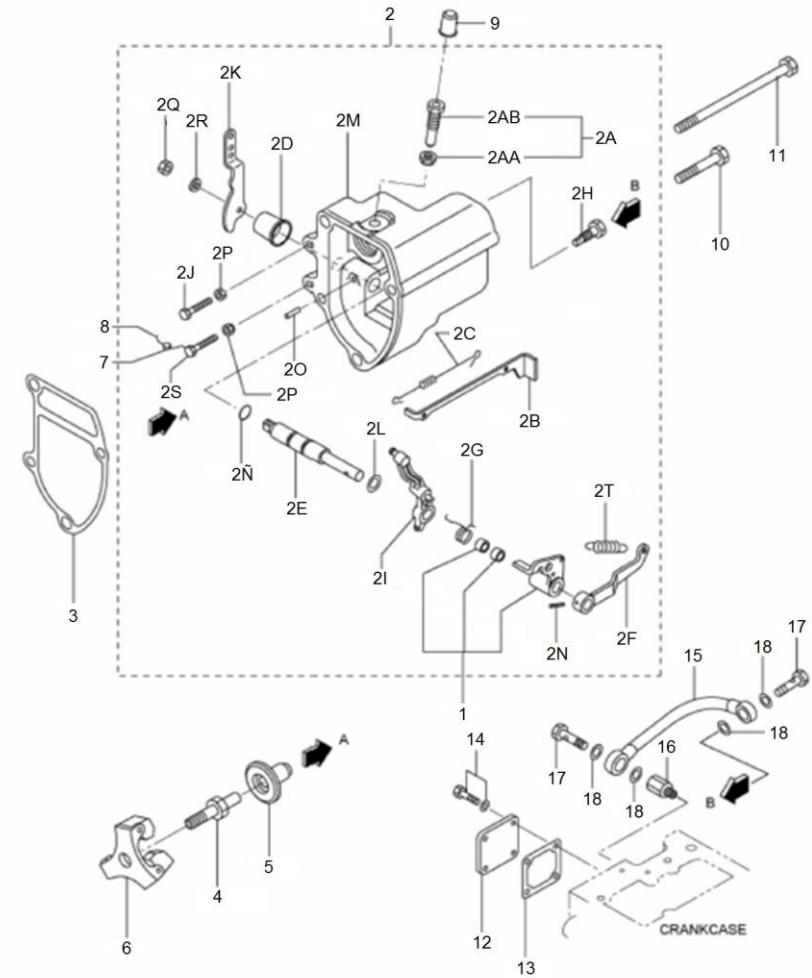
| D_GD01_4_4 |            | Governor Parts |                                  |      |      |
|------------|------------|----------------|----------------------------------|------|------|
| FIG.       | REF.       | QTY            | DESCR.                           | FROM | UPTO |
| 1          | 17223029   | 1              | Lever Assy                       |      |      |
| 2          | 17323000G  | 1              | CASSE Assy, GOverNOR (Generator) |      |      |
| 2A         | (*)        | 1              | Not available [NP]               |      |      |
| 2AA        | 17223035   | 1              | Nut                              |      |      |
| 2AB        | 13823034   | 1              | RACK Set Screw (new)             |      |      |
| 2B         | 17323048.4 | 1              | Lever TIE-ROD                    |      |      |
| 2C         | 17323049   | 1              | Spring TIE-ROD                   |      |      |
| 2D         | 17223036   | 1              | Cover, Governor                  |      |      |
| 2E         | 17223006   | 1              | Shaft, GOverNOR                  |      |      |
| 2F         | 17223003   | 1              | Lever, Governor                  |      |      |
| 2G         | 17223028   | 1              | Spring                           |      |      |
| 2H         | 17222020   | 1              | Bolt                             |      |      |
| 2I         | 17223007G  | 1              | Lever, GOverNOR (Generator)      |      |      |
| 2J         | 17223025   | 1              | Bolt Low Idle Set                |      |      |
| 2K         | 17323008   | 1              | Lever, SPEED Control             |      |      |
| 2L         | 17323047.4 | 1              | Shim, Governor Shaft             |      |      |
| 2M         | 17323019   | 1              | Case, Governor                   |      |      |
| 2N         | 17223009   | 1              | Pin, Spring                      |      |      |
| 2Ñ         | 17223046   | 1              | O-Ring D. 10X2,5                 |      |      |
| 2O         | 13123009   | 1              | Pin GROOVED                      |      |      |
| 2P         | 17223032   | 2              | Nut                              |      |      |
| 2Q         | 17223030   | 1              | Nut                              |      |      |
| 2R         | 53033008   | 1              | Washer GROWER DIN 127-8          |      |      |
| 2S         | 17223017   | 1              | Bolt                             |      |      |
| 2T         | 60530033   | 1              | Spring,governor                  |      |      |
| 3          | 17223033   | 1              | Gasket, Governor Case            |      |      |
| 4          | 17223050   | 1              | Shaft, SLIDING SLEEVE            |      |      |
| 5          | 17223031G  | 1              | SLEEVE, SLIDING (Generator)      |      |      |
| 6          | 17223001G  | 1              | WEIGHT Assy,GOverNOR (Generator) |      |      |
| 7          | 13123020   | 1              | Shutter                          |      |      |
| 8          | 13123019   | 1              | Metal Sealing                    |      |      |
| 9          | 13823042   | 1              | Cap TORQUE Set SE                |      |      |
| 10         | 17220034   | 3              | Bolt                             |      |      |
| 11         | 17723043   | 1              | Bolt,GOverNOR Case               |      |      |
| 12         | 17223043   | 1              | Cover TIE-ROD                    |      |      |



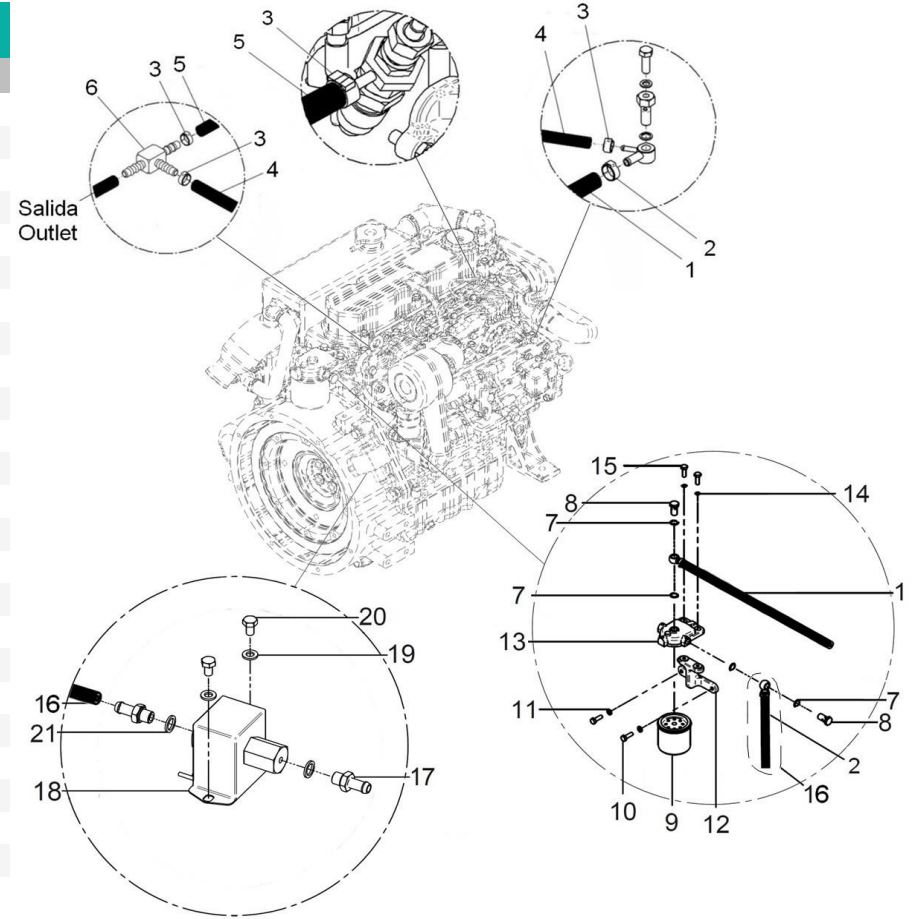
[NP] Not provided



| D_GD01_4_4                          |           | Governor Parts |              |      |      |
|-------------------------------------|-----------|----------------|--------------|------|------|
| FIG.                                | REF.      | QTY            | DESCR.       | FROM | UPTO |
| 13                                  | 13223014  | 1              | Gasket Cover |      |      |
| 14                                  | 13802156  | 4              | Bolt         |      |      |
| 15                                  | 17224004G | 1              | Pipe,Oil     |      |      |
| 16A                                 | 17322022  | 1              | Adapter      |      |      |
| <i>Figure A for Standard System</i> |           |                |              |      |      |
| 16B                                 | 17322029  | 1              | Adapter      |      |      |
| <i>Figure b for Parallel System</i> |           |                |              |      |      |
| 17A                                 | 17322020  | 2              | VIS          |      |      |
| <i>Figure A for Standard System</i> |           |                |              |      |      |
| 17B                                 | 17322028  | 1              | BOLT, EYE    |      |      |
| <i>Figure b for Parallel System</i> |           |                |              |      |      |
| 18                                  | 17322021  | 4              | Gasket       |      |      |

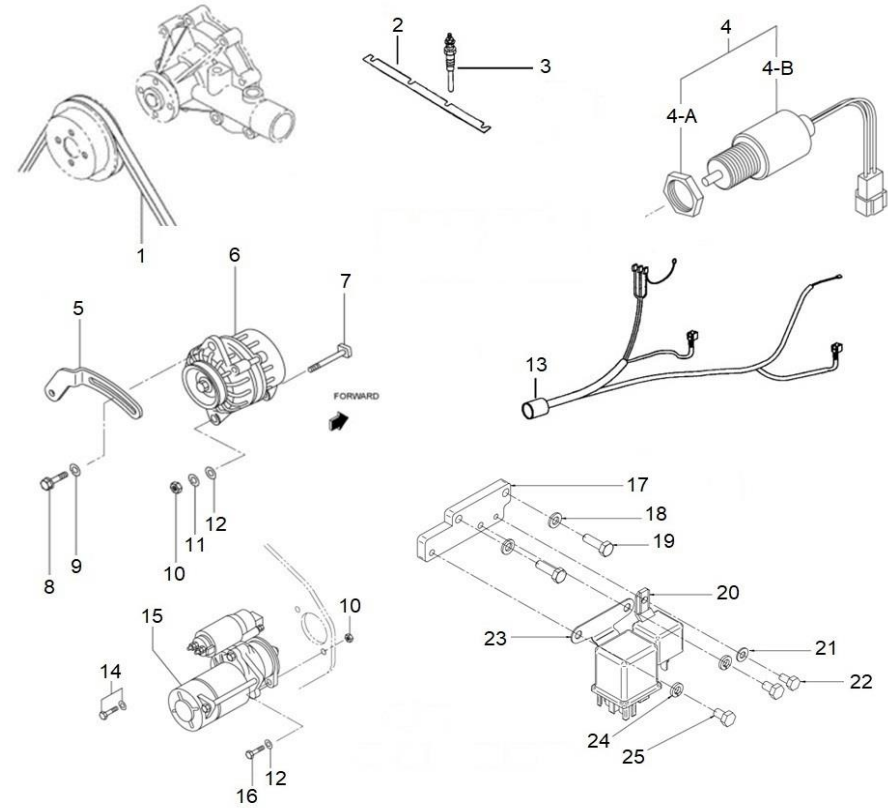


| D_GC01_4_5                     |            | Fuel Supply Parts |  |      |      |
|--------------------------------|------------|-------------------|--|------|------|
| FIG.                           | REF.       | QTY               | DESCR.                                   | FROM | UPTO |
| 1                              | 17614027   | 1                 | Hose                                     |      |      |
| 2                              | 51086016   | 2                 | ONE EAR Clamp With INTERIOR Ring 14-16,3 |      |      |
| 3                              | 51086010   | 4                 | One Ear Clamp With Interior Ring 10-11,5 |      |      |
| 4                              | 17214027   | 1                 | 0,39 M. Hose                             |      |      |
| 5                              | 17614026   | 1                 | 0,04 M. Hose                             |      |      |
| 6                              | 17614028   | 1                 | Bypass "T"                               |      |      |
| 7                              | 57000369   | 4                 | Washer 14,2-20-1,5                       |      |      |
| 8                              | 12814051   | 3                 | Screw,eye                                |      |      |
| 9                              | 13114022   | 1                 | Fuel Filter Element from MINI 10 to 55   |      |      |
| 10                             | 52102257   | 2                 | Bolt DIN 933 M8-20 8.8                   |      |      |
| 11                             | 53033008   | 2                 | Washer GROWER DIN 127-8                  |      |      |
| 12                             | 17214001   | 1                 | Bracket, gasoil Filter                   |      |      |
| 13                             | 13114020   | 1                 | Cover,filter                             |      |      |
| 14                             | 51031008   | 2                 | Washer DIN 9021 8                        |      |      |
| 15                             | 52102258   | 2                 | Bolt DIN 933 M8-25 8.8                   |      |      |
| 16                             | 13814017.5 | 1                 | Fuel Pump Hose                           |      |      |
| 17                             | 13814072   | 2                 | Straight Hose Connector 1/8" NPTF        |      |      |
| 18A                            | 13814070   | 1                 | Electric Fuel Feed Pump 12V              |      |      |
| <i>Figure A for 12V System</i> |            |                   |  |      |      |
| 18B                            | 19014070   | 1                 | Pump 24V.                                |      |      |
| <i>Figure b for 24V System</i> |            |                   |  |      |      |
| 19                             | 51030006   | 2                 | Washer DIN 125-6                         |      |      |
| 20                             | 52102154   | 2                 | Bolt DIN 933 M6-10 8.8                   |      |      |
| 21                             | 57000361   | 2                 | Washer 10-14-1,5                         |      |      |





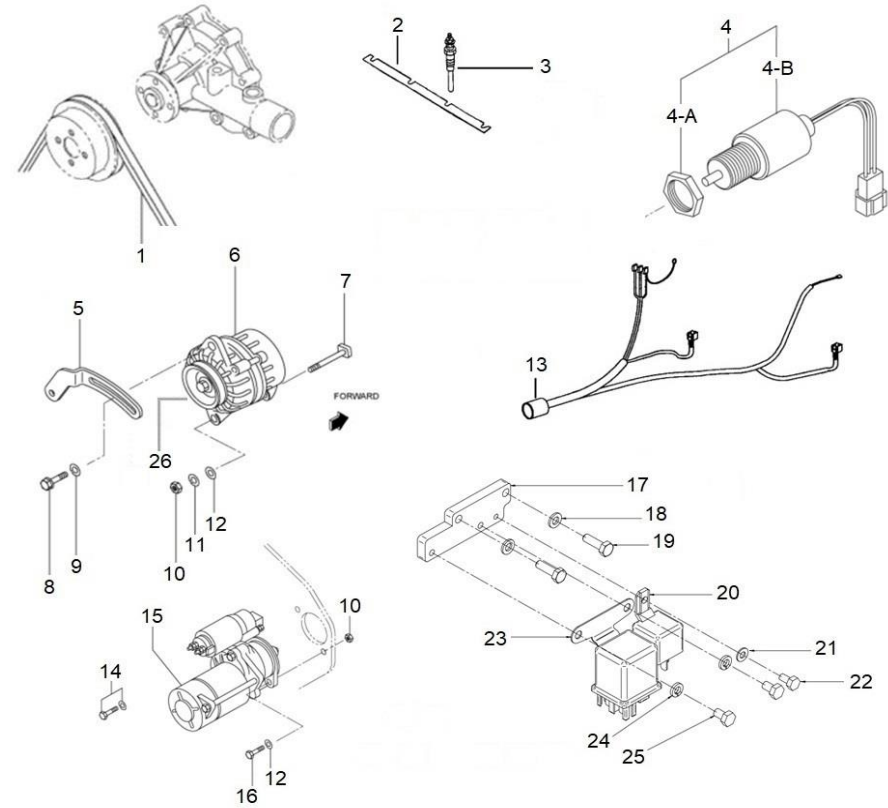
| D_MI44GSTST_05_1 |            | Electrical System 12V |                                     |      |      |  |
|------------------|------------|-----------------------|-------------------------------------|------|------|--|
| FIG.             | REF.       | QTY                   | DESCR.                              | FROM | UPTO |  |
| 1                | 17221060G  | 1                     | V-Belt                              |      |      |  |
| 2                | 17327018   | 1                     | Plate, Connection                   |      |      |  |
| 3                | 17127017   | 4                     | Plug, glow                          |      |      |  |
| 4                | 17324026G  | 1                     | SOLENOID, Assy                      |      |      |  |
| 4A               | 17225029.4 | 1                     | Nut                                 |      |      |  |
| 4B               | 17324025G  | 1                     | SOLENOID                            |      |      |  |
| 5                | 17227007   | 1                     | Plate                               |      |      |  |
| 6                | 17227010   | 1                     | Alternator 12V/50A                  |      |      |  |
| 7                | 17227070   | 1                     | Bolt, Alternator                    |      |      |  |
| 8                | 13827012   | 1                     | Bolt                                |      |      |  |
| 9                | 17331008   | 1                     | Washer                              |      |      |  |
| 10               | 17827003   | 1                     | Nut                                 |      |      |  |
| 11               | 53033010   | 1                     | Washer GROWER DIN 127-10            |      |      |  |
| 12               | 51030010   | 1                     | Washer DIN 125-10                   |      |      |  |
| 13               | 60972502   | 1                     | Genset Electrical Wiring MINI-33/44 |      |      |  |
| 14               | 17327129.2 | 1                     | Bolt                                |      |      |  |
| 15               | 17327001   | 1                     | Starter Assy 12 V                   |      |      |  |
| 16               | 17327130.2 | 1                     | Bolt, Starter                       |      |      |  |
| 17               | 17217001G  | 1                     | Support, Relay                      |      |      |  |
| 18               | 53033006   | 2                     | Washer GROWER DIN 127-6             |      |      |  |
| 19               | 52102157   | 2                     | Bolt DIN 933 M6-20 8.8              |      |      |  |
| 20               | 18217005   | 1                     | Relay 12V 12-100                    |      |      |  |
| 21               | 51030005   | 1                     | Washer DIN 125-5                    |      |      |  |
| 22               | 54102103   | 1                     | Bolt DIN 933 M5-8 INOX.             |      |      |  |
| 23               | 13827005   | 1                     | Glow Relay                          |      |      |  |
| 24               | 51030006   | 2                     | Washer DIN 125-6                    |      |      |  |
| 25               | 52102155   | 2                     | Bolt DIN 933 M6-12 8.8              |      |      |  |







| D_MI44GSTST_05_2 Electrical System 24V |             |     |                                     |      |      |  |
|--|-------------|-----|-------------------------------------|------|------|--|
| FIG.                                   | REF.        | QTY | DESCR.                              | FROM | UPTO |  |
| 1                                      | 17021028    | 1   | Belt Type SPZX 987                  |      |      |  |
| 2                                      | 17327018    | 1   | Plate, Connection                   |      |      |  |
| 3                                      | 17227017.2  | 4   | Glow Plug 24V                       |      |      |  |
| 4                                      | 13824025.2G | 1   | Stop SOLENOID 24V-ETR               |      |      |  |
| 4A                                     | 17225029.4  | 1   | Nut                                 |      |      |  |
| 4B                                     | 17324025G   | 1   | SOLENOID                            |      |      |  |
| 5                                      | 17227007.1  | 1   | Plate                               |      |      |  |
| 6                                      | 17417024    | 1   | Alternator 28V/55A                  |      |      |  |
| 7                                      | 17227070    | 1   | Bolt, Alternator                    |      |      |  |
| 8                                      | 13827012    | 1   | Bolt                                |      |      |  |
| 9                                      | 17331008    | 1   | Washer                              |      |      |  |
| 10                                     | 17827003    | 1   | Nut                                 |      |      |  |
| 11                                     | 53033010    | 1   | Washer GROWER DIN 127-10            |      |      |  |
| 12                                     | 51030010    | 1   | Washer DIN 125-10                   |      |      |  |
| 13                                     | 60972502    | 1   | Genset Electrical Wiring MINI-33/44 |      |      |  |
| 14                                     | 17327129.2  | 1   | Bolt                                |      |      |  |
| 15                                     | 17327001.2  | 1   | Starter Assy 24V                    |      |      |  |
| 16                                     | 17327130.2  | 1   | Bolt, Starter                       |      |      |  |
| 17                                     | 17217001G   | 1   | Support, Relay                      |      |      |  |
| 18                                     | 53033006    | 2   | Washer GROWER DIN 127-6             |      |      |  |
| 19                                     | 52102157    | 2   | Bolt DIN 933 M6-20 8.8              |      |      |  |
| 20                                     | 17417005    | 1   | Relay 24V 24-100                    |      |      |  |
| 21                                     | 51030005    | 1   | Washer DIN 125-5                    |      |      |  |
| 22                                     | 54102103    | 1   | Bolt DIN 933 M5-8 INOX.             |      |      |  |
| 23                                     | 17527006    | 1   | Glow Relay 24V                      |      |      |  |
| 24                                     | 51030006    | 2   | Washer DIN 125-6                    |      |      |  |
| 25                                     | 52102155    | 2   | Bolt DIN 933 M6-12 8.8              |      |      |  |
| 26                                     | 17617003    | 1   | Pulley Alternator                   |      |      |  |

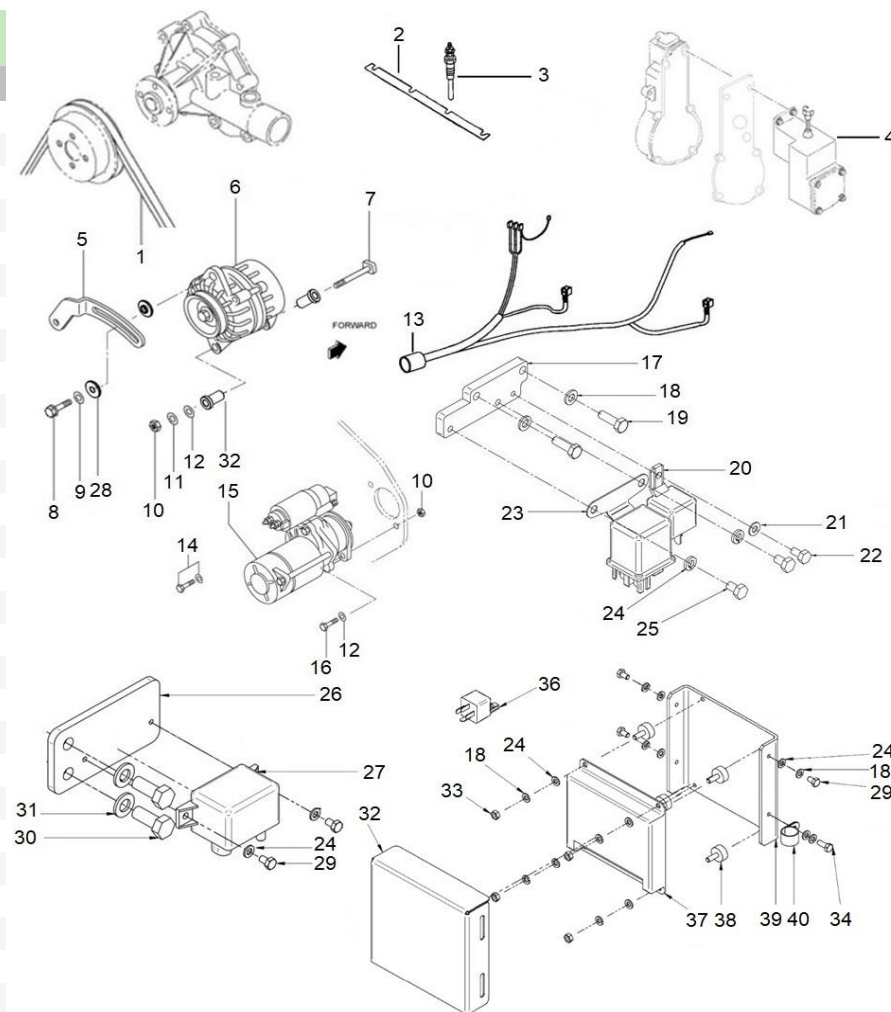






**D\_MI44GSTST\_05\_3 Parallel Electrical System 12V**

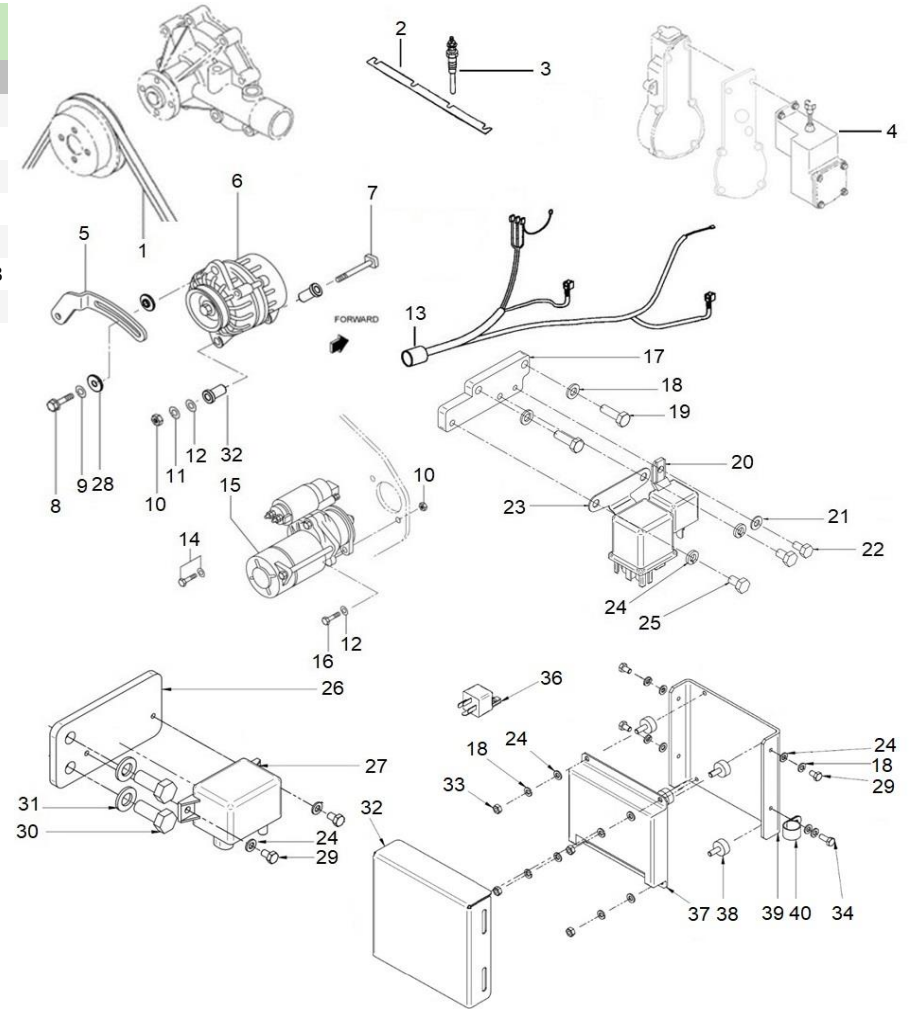
| FIG. | REF.       | QTY | DESCR.                                 | FROM | UPTO |
|------|------------|-----|--|------|------|
| 1    | 17221060G  | 1   | V-Belt                                 |      |      |
| 2    | 17327018   | 1   | Plate, Connection                      |      |      |
| 3    | 17127017   | 4   | Plug, glow                             |      |      |
| 4    | 60972524   | 1   | GAC Actuator L2E,L3E,S3L,S3L2,S4L,S4L2 |      |      |
| 5    | 17227007   | 1   | Plate                                  |      |      |
| 6    | 17227010   | 1   | Alternator 12V/50A                     |      |      |
| 7    | 17227070   | 1   | Bolt, Alternator                       |      |      |
| 8    | 13827012   | 1   | Bolt                                   |      |      |
| 9    | 17331008   | 1   | Washer                                 |      |      |
| 10   | 17827003   | 1   | Nut                                    |      |      |
| 11   | 53033010   | 1   | Washer GROWER DIN 127-10               |      |      |
| 12   | 51030010   | 1   | Washer DIN 125-10                      |      |      |
| 13   | 60972507   | 1   | MINI-33/44 G. E. Wiring Earth Isolated |      |      |
| 14   | 17327129.2 | 1   | Bolt                                   |      |      |
| 15   | 17327001   | 1   | Starter Assy 12 V                      |      |      |
| 16   | 17327130.2 | 1   | Bolt, Starter                          |      |      |
| 17   | 17217001G  | 1   | Support, Relay                         |      |      |
| 18   | 53033006   | 10  | Washer GROWER DIN 127-6                |      |      |
| 19   | 52102157   | 2   | Bolt DIN 933 M6-20 8.8                 |      |      |
| 20   | 18217005   | 1   | Relay 12V 12-100                       |      |      |
| 21   | 51030005   | 1   | Washer DIN 125-5                       |      |      |
| 22   | 54102103   | 1   | Bolt DIN 933 M5-8 INOX.                |      |      |
| 23   | 13827005   | 1   | Glow Relay                             |      |      |
| 24   | 51030006   | 12  | Washer DIN 125-6                       |      |      |
| 25   | 52102155   | 2   | Bolt DIN 933 M6-12 8.8                 |      |      |
| 26   | 17317003   | 1   | Support, Relay                         |      |      |
| 27   | 19017113   | 1   | Relay 12V Earth Isolated Nagares       |      |      |
| 28   | 17217012   | 2   | Tensor Bakelite Bushing                |      |      |
| 29   | 52102154   | 5   | Bolt DIN 933 M6-10 8.8                 |      |      |
| 30   | 52202359   | 2   | Bolt DIN 933 M12-1,25-30 8.8           |      |      |
| 31   | 51030012   | 2   | Washer DIN 125-12                      |      |      |
| 32   | 17217011   | 2   | Bracket Bakelite Bushing               |      |      |
| 32   | 17317008   | 1   | Parallel electronic unit cover         |      |      |
| 33   | 52120006   | 4   | Nut DIN 934 M6 8.8                     |      |      |
| 34   | 52102156   | 1   | Bolt DIN 933 M6-16 8.8                 |      |      |



[NS] Not shown



| D_MI44GSTST_05_3 |                          | Parallel Electrical System 12V |  |            |            |
|------------------|--------------------------|--------------------------------|--|------------|------------|
| FIG.             | REF.                     | QTY                            | DESCR.   | FROM       | UPTO       |
| 36               | 63900028                 | 1                              | Relay 12V 20/30A NO+NC   |            |            |
| 37               | 60972525                 | 1                              | Speed Control Unit G.A.C 5100 Low Inter.   |            |            |
| 38               | 17A14009                 | 4                              | Anti Vibration Mount M6  |            |            |
| 39               | 17317007                 | 1                              | Electronic Unit Bracket  |            |            |
| 40               | 59071224                 | 1                              | Clamp RSGU 1 22/15 W1  |            |            |
| NS               | <a href="#">60974205</a> | 1                              | <a href="#">35 GT/GTC Parallel Auxiliary Installation Mitsubishi Models</a> [NS] |            | 31/05/2023 |
| NS               | <a href="#">60974229</a> | 1                              | <a href="#">Auxiliary Installation Parallel Genset</a> [NS]                      | 01/06/2023 |            |

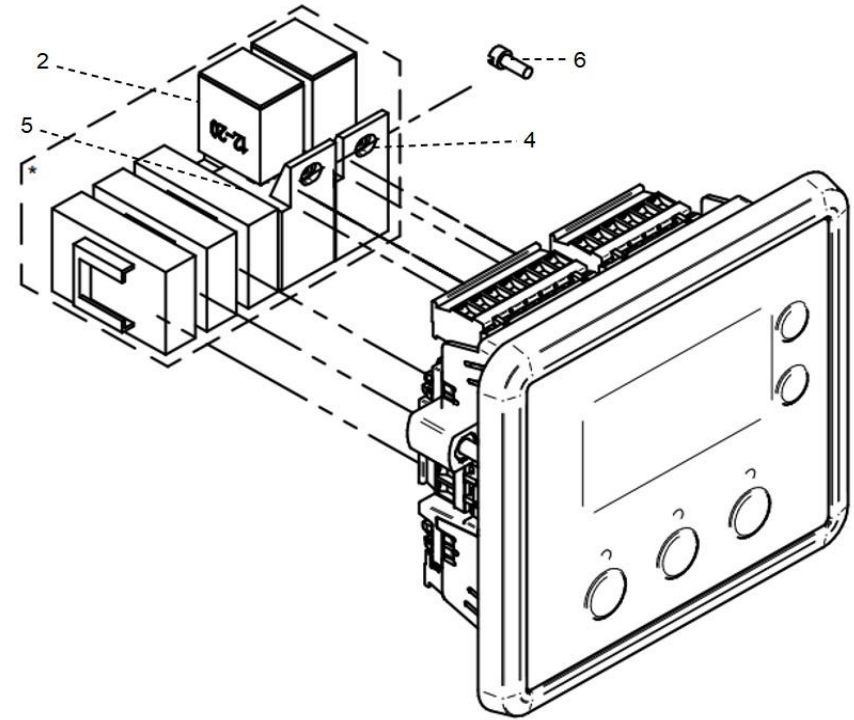




| D_MI44GSTST_05_5 Panels for Genset |                |     |                                  |      |      |  |
|------------------------------------|----------------|-----|----------------------------------|------|------|--|
| FIG.                               | REF.           | QTY | DESCR.                           | FROM | UPTO |  |
| 1A                                 | 61973230TS     | 1   | Panel SCO 5 17 GTC 12V 230V      |      |      |  |
| 1A                                 | 61973240.18S   | 1   | Panel SCO 5 17 GSAC 12V 240V     |      |      |  |
| 1B                                 | 61973400S      | 1   | Panel SCO 5 17 GTC 12V 400/230V  |      |      |  |
| 1C                                 | 61973400.2S    | 1   | Panel SCO 5 17 GTC 24V 400/230V  |      |      |  |
| 1D                                 | 61973240T.18S  | 1   | Panel SCO 5 20 GTAC 12V 240V     |      |      |  |
| 1E                                 | 61973480.18S   | 1   | Panel SCO 5 20 GTAC 12V 480/277V |      |      |  |
| 1F                                 | 61973480.18.2S | 1   | Panel SCO 5 20 GTAC 24V 480/277V |      |      |  |
| 1G                                 | 61973230S      | 1   | Panel SCO 5 14 GSC 12V 230V      |      |      |  |
| 1H                                 | 61973230.2S    | 1   | Panel SCO 5 14 GSC 24V 230V      |      |      |  |



| D_PANELGRUP02_01 Panel Components for Genset |          |     |  |      |            |  |
|--|----------|-----|--|------|------------|--|
| FIG.   | REF.     | QTY | DESCR.   | FROM | UPTO       |  |
| 2A   | 60900091 | 4   | MICRO Relay 12V 12-20                                      |      |            |  |
| <i>Figure A for 12V System</i>               |          |     |  |      |            |  |
| 2B   | 60900092 | 4   | MICRO Relay 24V 24-10                                      |      |            |  |
| <i>Figure b for 24V System</i>               |          |     |  |      |            |  |
| 4  | 51030005 | 2   | Washer DIN 125-5   |      |            |  |
| 5  | 61900001 | 1   | Rail Guide For Modular Micro Relay Holder - Fusible Holder |      | 29/03/2023 |  |
| 5  | 61900002 | 1   | Rail Guide For Modular Micro Relay Holder - Fusible F      |      | 29/03/2023 |  |
| 6  | 51918054 | 2   | Bolt DIN 7981C 3,5-9,5                                     |      |            |  |
| NS   | 60972112 | 1   | Wiring BRIDGE MONOF. Panel COMAP [NS]                      |      |            |  |
| NS   | 60972123 | 1   | Electrical System Back Panel SCO 5 [NS]                    |      |            |  |
| NS   | 61972124 | 1   | SCO 5 Panel Screw Bracket [NS]                             |      |            |  |



[NS] Not shown

| D_MI44GSTST_05_7 |          | Electrical Box for Parallel |   |      |      |
|------------------|----------|-----------------------------|---|------|------|
| FIG.             | REF.     | QTY                         | DESCR.  | FROM | UPTO |
| 1A               | 60973518 | 1                           | Parallel Kit 17 GT 230V Control and Power 12V       |      |      |
| 1B               | 60973514 | 1                           | Parallel Kit 17 GT 400 / 230V Control And Power 12V |      |      |
| 1C               | 60973507 | 1                           | Parallel Kit 14 GS 230V Control and Power 12V       |      |      |
| 1D               | 60973521 | 1                           | Kit Parallel 17 GSA/GSAC 240V Control/Pow           |      |      |
| 1E               | 60973523 | 1                           | Parallel Kit 20 GTA 240V Control And Power 12V      |      |      |



| D_W1C1_1_1 |              | Genset Extension |  |      |      |  |
|------------|--------------|------------------|--|------|------|--|
| FIG.       | REF.         | QTY              | DESCR.   | FROM | UPTO |  |
| 1A         | 60938210I    | 1                | Genset Wiring Ext. 3 M. CPC                    |      |      |  |
| 1B         | 60985210I    | 1                | Genset Wiring Ext. 4 M. CPC                    |      |      |  |
| 1C         | 60938221     | 1                | Genset Wiring Ext. 6 M. CPC                    |      |      |  |
| 1D         | 60938212     | 1                | Genset Wiring Ext. 8 M. CPC                    |      |      |  |
| 1E         | 60985210.12I | 1                | Genset Wiring Ext. 12 M. CPC                   |      |      |  |
| 1F         | 60985210.18I | 1                | Genset Wiring Ext. 18 M. CPC                   |      |      |  |
| 1G         | 60985210.24I | 1                | Genset Wiring Ext. 24 M. CPC                   |      |      |  |
| 1H         | 60985210.30I | 1                | Genset Wiring Ext. 30 M. CPC                   |      |      |  |
| 1I         | 60974552     | 1                | 3-way Wiring Wxtension for Auxiliary Kits 4 m  |      |      |  |
| 1J         | 60900165     | 1                | 3-way Wiring Extension for Auxiliary Kits 6 m  |      |      |  |
| 1K         | 60900166     | 1                | 3-way Wiring Extension for Auxiliary Kits 12 m |      |      |  |
| 1L         | 60900167     | 1                | 3-way Wiring Extension for Auxiliary Kits 24 m |      |      |  |
| 1M         | 60972104     | 1                | Double Panel SCO 12 M. Harness                 |      |      |  |
| 1N         | 60972105     | 1                | Double Panel SCO 24 M. Harness                 |      |      |  |
| 1O         | 60972110     | 1                | Double Panel SCO 36 M. Harness                 |      |      |  |
| 1P         | 60972145     | 1                | Double Panel SCO 45 M. Harness                 |      |      |  |







| D_W1C1_1_2 |          | Parallel Genset Extension |   |            |            |  |
|------------|----------|---------------------------|---|------------|------------|--|
| FIG.       | REF.     | QTY                       | DESCR.  | FROM       | UPTO       |  |
| 1A         | 6097A223 | 1                         | Wiring extensions Electronic Actuator Genset Mitsubi:           | 01/06/2023 |            |  |
| 1B         | 6097A224 | 1                         | Wiring extensions Electronic Actuator Genset Mitsubi:           | 01/06/2023 |            |  |
| 1C         | 6097A221 | 1                         | Wiring Extension for Mitsubishi Parallel Control and P          | 01/06/2023 |            |  |
| 1D         | 6097A222 | 1                         | Wiring Extension for Mitsubishi Parallel Control and P          | 01/06/2023 |            |  |
| 1E         | 60974221 | 1                         | Wiring Extension 25/35/50/68 GT 6 m Electronic Actuator for SCO |            | 31/05/2023 |  |
| 1F         | 60974219 | 1                         | Wiring Extension 25/35/50/68 GT 12 m Electronic Actuator for SC |            | 31/05/2023 |  |
| 1G         | 60974206 | 1                         | Wir.Ext. 25/35/50/68 GT Prep. Paral.6M                          |            | 31/05/2023 |  |
| 1H         | 60974207 | 1                         | Wir.Ext. 25/35/50/68 GT Prep. Paral.12M                         |            | 31/05/2023 |  |



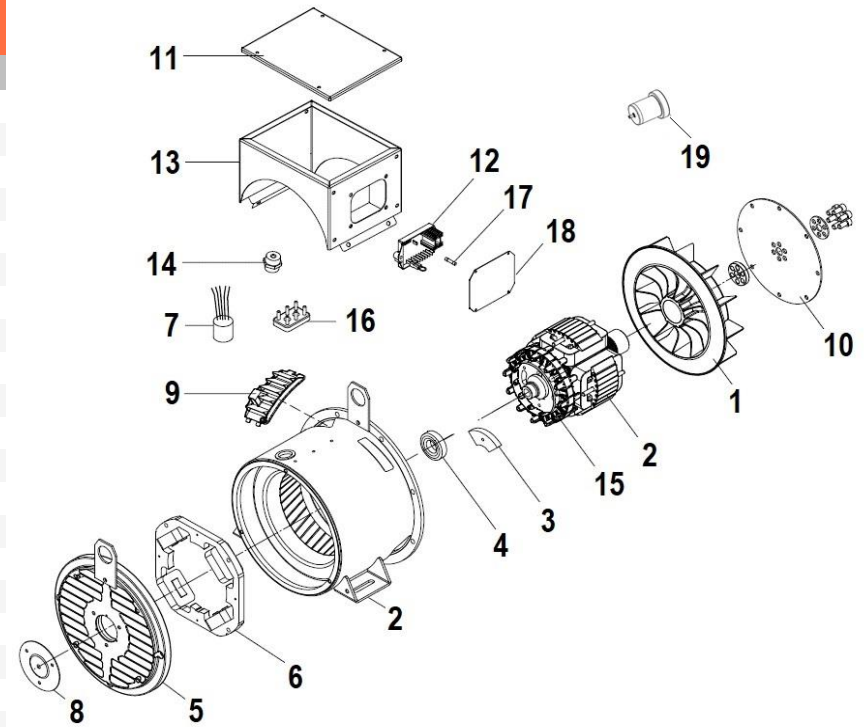
| D_MI44GTST_06_1 |                  | Alternator 17 GT/GTC Y 20 GTA/GTAC |  |      |      |
|-----------------|------------------|------------------------------------|--|------|------|
| FIG.            | REF.             | QTY                                | DESCR.   | FROM | UPTO |
| 1A              | 60511317SRC      | 1                                  | AI.SINCRO III 17,5KVA 1500 400/230 (RC)          |      |      |
| 1B              | 60511317SRS      | 1                                  | AI.SINCRO III 17,5KVA 1500 400/230 (RS)          |      |      |
| 1C              | 60511318SRC      | 1                                  | AI.SINCRO III 17,5KVA 1500RPM 230V (RC)          |      |      |
| 1D              | 60511318SRS      | 1                                  | AI.SINCRO III 17,5KVA 1500RPM 230V (RS)          |      |      |
| <b>1E</b>       | <b>60511322S</b> | <b>1</b>                           | <b>AL.SINCRO III 22KVA 1800RPM 480/277V [NP]</b> |      |      |
| 1F              | 60511322SRS      | 1                                  | AI.SINCRO III 22KVA 1800 480/277V (RS)           |      |      |



[NP] Not provided

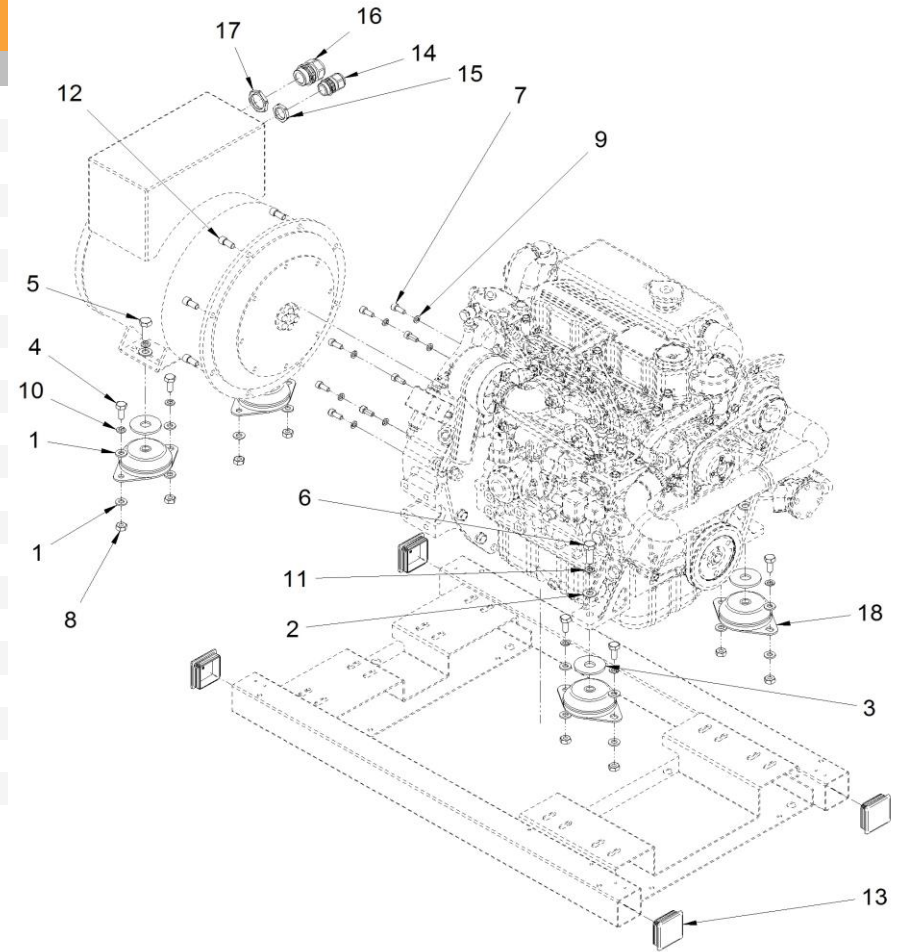


| D_60511317S |                | Alt.SINCRO III 17,5KVA 1500RPM 400/230V |  |      |      |
|-------------|----------------|---|--|------|------|
| FIG.        | REF.           | QTY                                     | DESCR.                                   | FROM | UPTO |
| 0           | 60511317SRC    | 1                                       | Alt.SINCRO III 17,5KVA 1500 400/230 (RC) |      |      |
| 0           | 60511317SRS    | 1                                       | Alt.SINCRO III 17,5KVA 1500 400/230 (RS) |      |      |
| 1           | 60511317S.1    | 1                                       | Fan SK160M- 4P                           |      |      |
| 2           | (*)            | 1                                       | Not available [NP]                       |      |      |
| 3           | 60574340.10    | 1                                       | Diode Bridge SK160-S/C/L/M               |      |      |
| 4           | 60511325S.1    | 1                                       | Bearing 6206 2RS/C3                      |      |      |
| 5           | 60511107S.13   | 1                                       | Rear Shield                              |      |      |
| 6           | 60511325S.2    | 1                                       | Exciter stator SK160C-, M-, L-           |      |      |
| 7           | 60511317S.2    | 1                                       | EMC filter SK160SM-                      |      |      |
| 8           | 60511325S.3    | 1                                       | Rear shield cover                        |      |      |
| 9           | 60511336S.03   | 1                                       | IP23 Grid                                |      |      |
| 10          | 60511325S.4    | 1                                       | Kit disks 7,5"                           |      |      |
| 11          | 60511317S.3    | 1                                       | Top cover SK160M-                        |      |      |
| 12          | 60511107S.35.1 | 1                                       | Electronic Board AVR BL4 U               |      |      |
| 13A         | 60511317S.4    | 1                                       | Terminal box SK160M-                     |      |      |
| 13B         | 60511317S.5    | 1                                       | Terminal box SK160M-                     |      |      |
| 14A         | 60511325S.5    | 1                                       | M6 insulator clamp                       |      |      |
| 14B         | 60511336S.02   | 1                                       | M8 Insulator Clamp                       |      |      |
| 15          | 60511325S.6    | 1                                       | Exc. rotor SK160C-, M-, L- 4P            |      |      |
| 16A         | 60511325S.7    | 1                                       | M6 terminal board                        |      |      |
| 16B         | 60511336S.04   | 1                                       | M8 Terminal Board                        |      |      |
| 17          | 60511336S.05   | 1                                       | Fuse 5x20 3,15A F                        |      |      |
| 18          | 60511336S.06   | 1                                       | Cover on Regulator Side                  |      |      |
| 19          | UMSINCRO1      | 1                                       | SINCRO SK160 Special Tool                |      |      |



[NP] Not provided

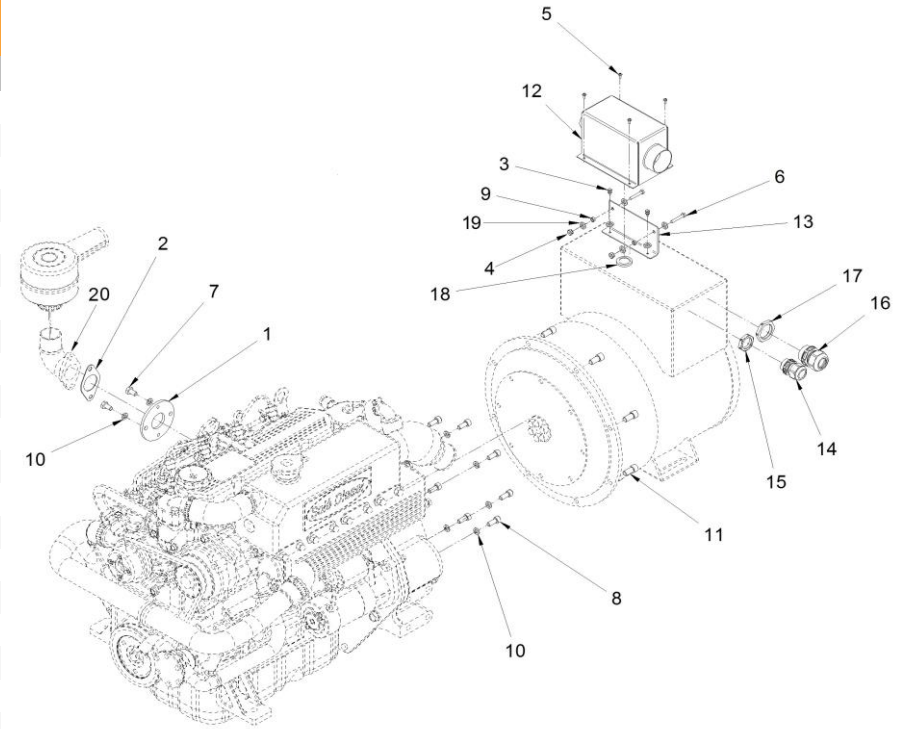
| 60573101S |          | 3 Phase SINCRO Alt. Kit (S) |   |      |      |  |
|-----------|----------|-----------------------------|---|------|------|--|
| FIG.      | REF.     | QTY                         | DESCR.                                  | FROM | UPTO |  |
| 1         | 51030010 | 16                          | Washer DIN 125-10                       |      |      |  |
| 2         | 51030012 | 4                           | Washer DIN 125-12                       |      |      |  |
| 3         | 51031014 | 4                           | Washer DIN 9021 14                      |      |      |  |
| 3         | 51031018 | 4                           | Washer DIN 9021 18                      |      |      |  |
| 4         | 52102307 | 8                           | Bolt DIN 933 M10-20 8.8                 |      |      |  |
| 5         | 52102359 | 2                           | Bolt DIN 933 M12-30 8.8                 |      |      |  |
| 6         | 52102361 | 2                           | Bolt DIN 933 M12-40 8.8                 |      |      |  |
| 7         | 52103257 | 8                           | Bolt DIN 912 M8-20 8.8                  |      |      |  |
| 8         | 52120010 | 8                           | Nut DIN 934 M10 8.8                     |      |      |  |
| 9         | 53033008 | 8                           | Washer GROWER DIN 127-8                 |      |      |  |
| 10        | 53033010 | 8                           | Washer GROWER DIN 127-10                |      |      |  |
| 11        | 53033012 | 4                           | Washer Grower DIN 127-12                |      |      |  |
| 12        | 60539017 | 8                           | ALT. SINCRO FASTENING Bolt              |      |      |  |
| 13        | 60539019 | 4                           | LID (60 Tube)                           |      |      |  |
| 14        | 60900306 | 1                           | Connector Press CAPTOR-2000 M25 RAL7001 |      |      |  |
| 15        | 60900309 | 1                           | Screw Connector Press Captor-2000 M25   |      |      |  |
| 16        | 60900310 | 1                           | Connector Press CAPTOR-2000 M32 RAL7001 |      |      |  |
| 17        | 60900311 | 1                           | Screw Connector Press Captor-2000 M32   |      |      |  |
| 18        | 61673001 | 4                           | Engine Mount Type F 35 SHA M12 H 34     |      |      |  |
| NS        | 53104257 | 4                           | Bolt DIN 7984 M8-20 12.9 [NS]           |      |      |  |
| NS        | 58088283 | 1                           | Pastic Cable Zip Tie [NS]               |      |      |  |
| NS        | 60900158 | 1                           | Terminal Tubular Sleeve (1.5) [NS]      |      |      |  |
| NS        | TR.1.5.6 | 4                           | Ring Terminal 1.5 Sec. [NS]             |      |      |  |



[NS] Not shown



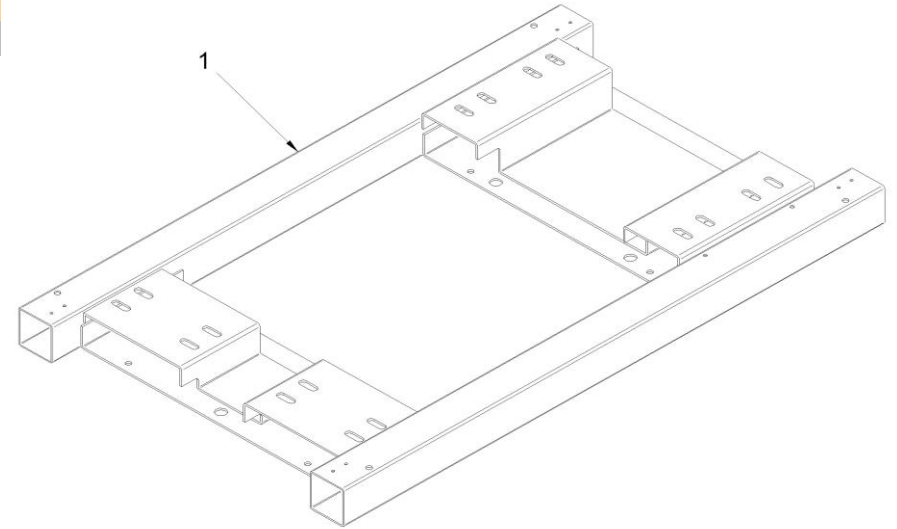
| 60573062 |              | 3 Phase SINCR0 Alt. Kit (C) |   |            |            |
|----------|--------------|-----------------------------|---|------------|------------|
| FIG.     | REF.         | QTY                         | DESCR.                                  | FROM       | UPTO       |
| 1        | 17210029     | 1                           | Air Elbow Flange                        |            | 08/12/2019 |
| 1        | 17310017     | 1                           | Air Elbow Flange                        | 09/12/2019 |            |
| 2        | 17221034     | 2                           | Gasket, Inlet Pipe                      |            |            |
| 3        | 52102104     | 2                           | Bolt DIN 933 M5-10 8.8                  |            |            |
| 4        | 51123005     | 4                           | Nut DIN 985 M5 5.6                      |            |            |
| 5        | 51918054     | 4                           | Bolt DIN 7981C 3,5-9,5                  |            |            |
| 6        | 52102110     | 2                           | Bolt DIN 933 M5-30 8.8 CINCADO          |            |            |
| 7        | 52102256     | 2                           | Bolt DIN 933 M8-16 8.8                  |            |            |
| 8        | 52103257     | 8                           | Bolt DIN 912 M8-20 8.8                  |            |            |
| 9        | 52120005     | 2                           | Nut DIN 934 M5 8.8                      |            |            |
| 10       | 53033008     | 10                          | Washer GROWER DIN 127-8                 |            |            |
| 11       | 60539017     | 8                           | ALT. SINCR0 FASTENING Bolt              |            |            |
| 12       | 60573041.71  | 1                           | REGULATOR Bracket Box                   |            |            |
| 13       | 60573041.72  | 1                           | VOLT REGULATOR Bracket Box              |            |            |
| 14       | 60900306     | 1                           | Connector Press CAPTOR-2000 M25 RAL7001 |            |            |
| 15       | 60900309     | 1                           | Screw Connector Press Captor-2000 M25   |            |            |
| 16       | 60900310     | 1                           | Connector Press CAPTOR-2000 M32 RAL7001 |            |            |
| 17       | 60900311     | 1                           | Screw Connector Press Captor-2000 M32   |            |            |
| 18       | 60900517     | 1                           | Cover,wiring                            |            |            |
| 19       | 51030005     | 8                           | Washer DIN 125-5                        |            |            |
| 20       | 17210020     | 1                           | Bend                                    | 09/12/2019 |            |
| NS       | 51058054     | 4                           | Aluminium Rivet 4.0 X 10 [NS]           |            |            |
| NS       | 52105258     | 2                           | Bolt DIN 7991 M8-25 10.9 [NS]           | 09/12/2019 |            |
| NS       | 52120008     | 2                           | Nut DIN 934 M8 8.8 [NS]                 | 09/12/2019 |            |
| NS       | 53104257     | 4                           | Bolt DIN 7984 M8-20 12.9 [NS]           |            |            |
| NS       | 58088284     | 2                           | Pastic Cable Zip Tie [NS]               |            |            |
| NS       | 60511112S.81 | 2                           | 16 mm Hexagon Plug [NS] [NP]            |            |            |
| NS       | 60900510     | 1                           | Emergency Stop PUSH BOTTOM [NS]         |            |            |
| NS       | 60900511     | 1                           | Stop PUSH BOTTOM Body [NS]              |            |            |
| NS       | 60971085     | 1                           | FOUR PoleS 25A DISConnector [NS]        |            |            |
| NS       | 60972072A    | 1                           | N BLUE Breaker TO ALT. SYStem [NS]      |            |            |
| NS       | 60972072G    | 1                           | W GRAY Breaker TO ALT. SYStem [NS]      |            |            |
| NS       | 60972072M    | 1                           | V BROWN Breaker TO ALT. SYStem [NS]     |            |            |
| NS       | 60972072N    | 1                           | U BLACK Breaker TO ALT. SYStem [NS]     |            |            |
| NS       | TR.1.5.6     | 4                           | Ring Terminal 1.5 Sec. [NS]             |            |            |



[NP] Not provided  
 [NS] Not shown

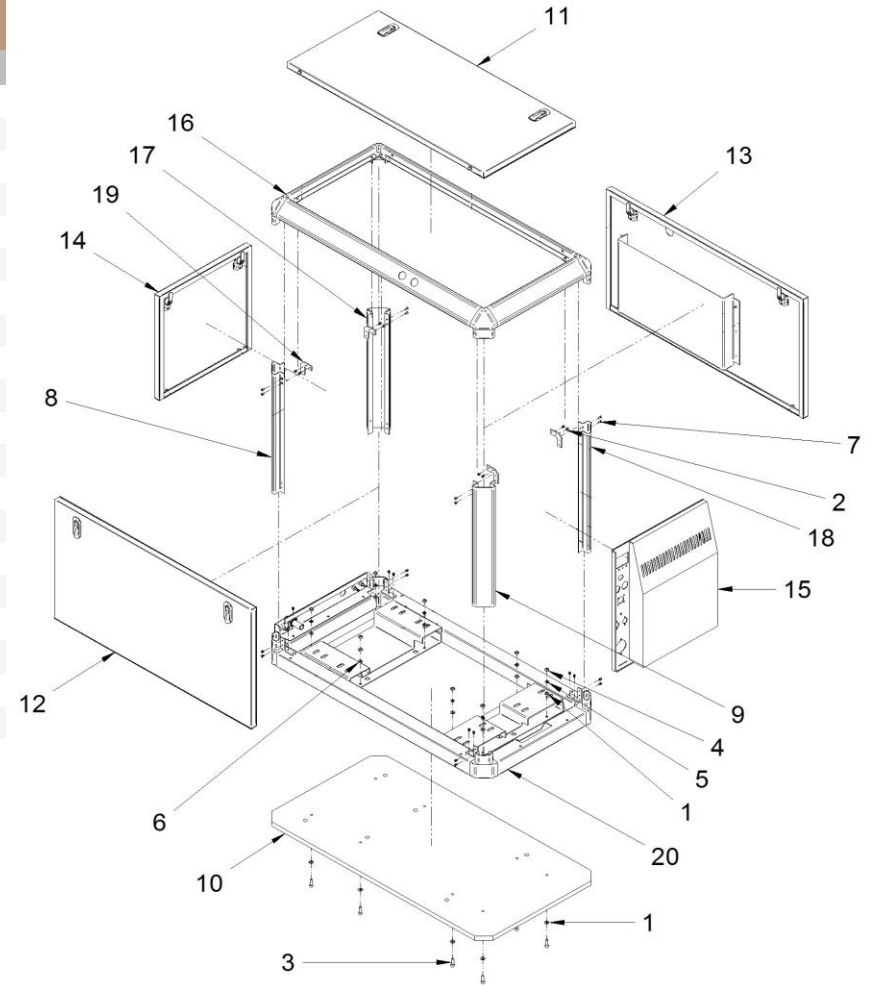


| D_60573041.01 |             | Chassis |                |      |      |  |
|---------------|-------------|---------|----------------|------|------|--|
| FIG.          | REF.        | QTY     | DESCR.         | FROM | UPTO |  |
| 1             | 60573041.01 | 1       | Genset CHASSIS |      |      |  |



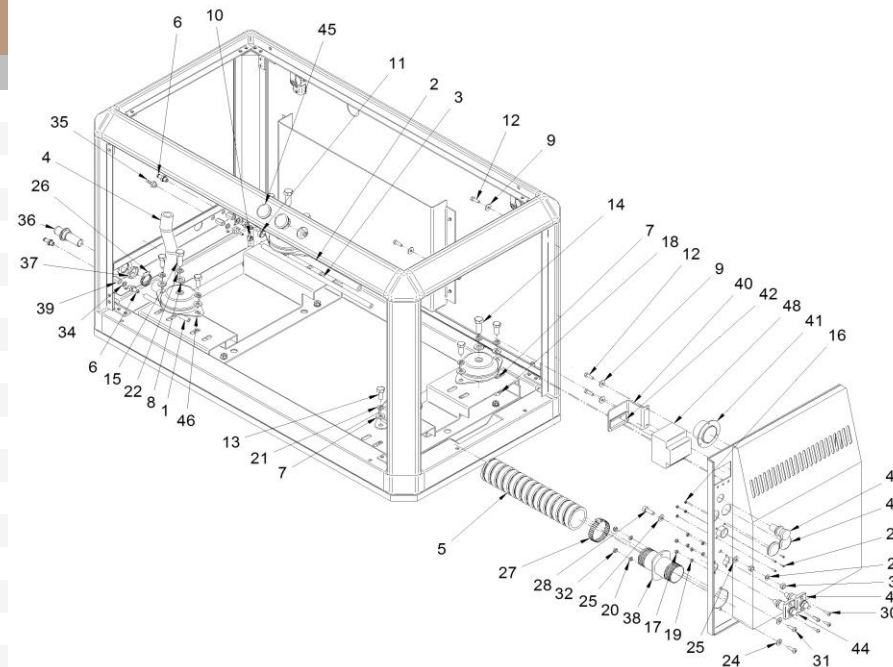


| D_AXGD_4_1 Cabin |              |     |                          |      |      |  |
|------------------|--------------|-----|--------------------------|------|------|--|
| FIG.             | REF.         | QTY | DESCR.                   | FROM | UPTO |  |
| 1                | 51030008     | 16  | Washer DIN 125-8         |      |      |  |
| 2                | 51058054     | 25  | Aluminium Rivet 4.0 X 10 |      |      |  |
| 3                | 52103258     | 8   | Bolt DIN 912 M8-25 8.8   |      |      |  |
| 4                | 52120008     | 8   | Nut DIN 934 M8 8.8       |      |      |  |
| 5                | 53033008     | 7   | Washer GROWER DIN 127-8  |      |      |  |
| 6                | 53038008     | 1   | Washer DIN 6798-A 8      |      |      |  |
| 7                | 53105104     | 8   | Bolt DIN 7991 M5-10 12.9 |      |      |  |
| 8                | 60573041.03  | 1   | VERTICAL BAR             |      |      |  |
| 9                | 60573041.04  | 1   | VERTICAL BAR             |      |      |  |
| 10               | 60573041.10  | 1   | BASEBOARD                |      |      |  |
| 11               | 60573041.20  | 1   | Upper Panel              |      |      |  |
| 12               | 60573041.21  | 1   | Side Panel               |      |      |  |
| 13               | 60573041.22  | 1   | Air Output Panel         |      |      |  |
| 14               | 60573041.24  | 1   | Front Panel              |      |      |  |
| 15               | 60573041.25A | 1   | Back Panel               |      |      |  |
| 16               | 60573041.30  | 1   | Upper Frame              |      |      |  |
| 17               | 60573041.31  | 1   | VERTICAL BAR             |      |      |  |
| 18               | 60573041.32  | 1   | Vertical Bar             |      |      |  |
| 19               | 60573041.43  | 4   | L Fastening Bracket      |      |      |  |
| 20               | 60573041.63  | 1   | Bottom Frame             |      |      |  |





| D_AXGD_4_2 |             | Cabin Kit |  |      |      |
|------------|-------------|-----------|--|------|------|
| FIG.       | REF.        | QTY       | DESCR.                                   | FROM | UPTO |
| 1          | M80501006   | 1,2       | Hose D.10-6 [NP]                         |      |      |
| 2          | M81510817   | 1,2       | Fuel Hose D. 8-17                        |      |      |
| 3          | M86500512   | 1,22      | Fuel Hose DIN 73379 D. 5-11              |      |      |
| 4          | M87501927   | 0,4       | Water Intake Hose (HQ) D. 19-27          |      |      |
| 5          | M88505062   | 0,6       | Exhaust Hose D. 51                       |      |      |
| 6          | 13814072    | 4         | Straight Hose Connector 1/8" NPTF        |      |      |
| 7          | 51030010    | 18        | Washer DIN 125-10                        |      |      |
| 8          | 51030012    | 5         | Washer DIN 125-12                        |      |      |
| 9          | 51031006    | 4         | Washer DIN 9021 6                        |      |      |
| 10         | 51086011    | 2         | ONE EAR Clamp With Interior Ring 9-10,5  |      |      |
| 11         | 51086015    | 2         | One Ear Clamp With Interior Ring 13-15,3 |      |      |
| 12         | 52102157    | 4         | Bolt DIN 933 M6-20 8.8                   |      |      |
| 13         | 52102307    | 8         | Bolt DIN 933 M10-20 8.8                  |      |      |
| 14         | 52102359    | 2         | Bolt DIN 933 M12-30 8.8                  |      |      |
| 15         | 52102361    | 2         | Bolt DIN 933 M12-40 8.8                  |      |      |
| 16         | 52120003    | 4         | Nut DIN 934 M3 8.8                       |      |      |
| 17         | 52120005    | 4         | Nut DIN 934 M5 8.8                       |      |      |
| 18         | 52120010    | 8         | Nut DIN 934 M10 8.8                      |      |      |
| 19         | 53033005    | 4         | Washer GROWER DIN 127-5                  |      |      |
| 20         | 53033006    | 2         | Washer GROWER DIN 127-6                  |      |      |
| 21         | 53033010    | 8         | Washer GROWER DIN 127-10                 |      |      |
| 22         | 53033012    | 4         | Washer Grower DIN 127-12                 |      |      |
| 23         | 53038008    | 1         | Washer DIN 6798-A 8                      |      |      |
| 24         | 54030006    | 2         | Washer DIN 125-6 INOX.                   |      |      |
| 25         | 54030008    | 2         | Washer DIN 125-8 INOX.                   |      |      |
| 26         | 54081016    | 2         | Clamp DIN 3017 16-27/9 W4                |      |      |
| 27         | 54083059    | 1         | GP Clamp 55-59 W4 STC                    |      |      |
| 28         | 54103258    | 1         | Bolt DIN 912 M8-25 INOX.                 |      |      |
| 29         | 54108003    | 4         | Bolt DIN 84 M3-8 INOX.                   |      |      |
| 30         | 54118106    | 4         | Bolt DIN 7985 M5-16 INOX                 |      |      |
| 31         | 54118157    | 2         | Bolt DIN 7985 M6-20 INOX                 |      |      |
| 32         | 54120006    | 2         | Nut DIN 934 M6 INOX                      |      |      |
| 33         | 54120008    | 2         | Nut DIN 934 M8                           |      |      |
| 34         | 57000361    | 3         | Washer 10-14-1,5                         |      |      |
| 35         | 60571041.39 | 2         | Gasoil Wall Bushing D.6 MALE             |      |      |

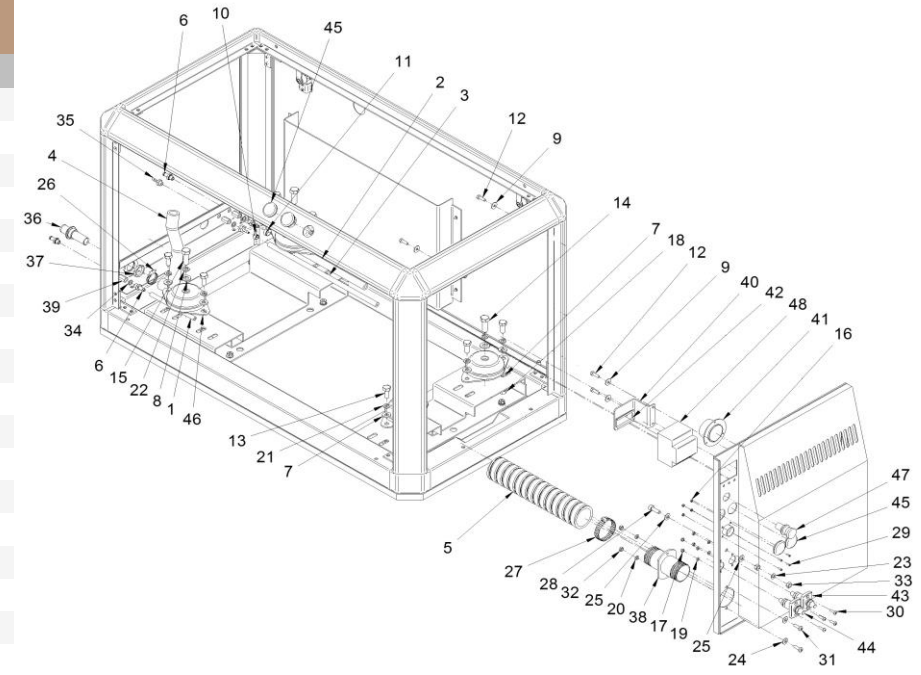


[NP] Not provided  
 [NS] Not shown

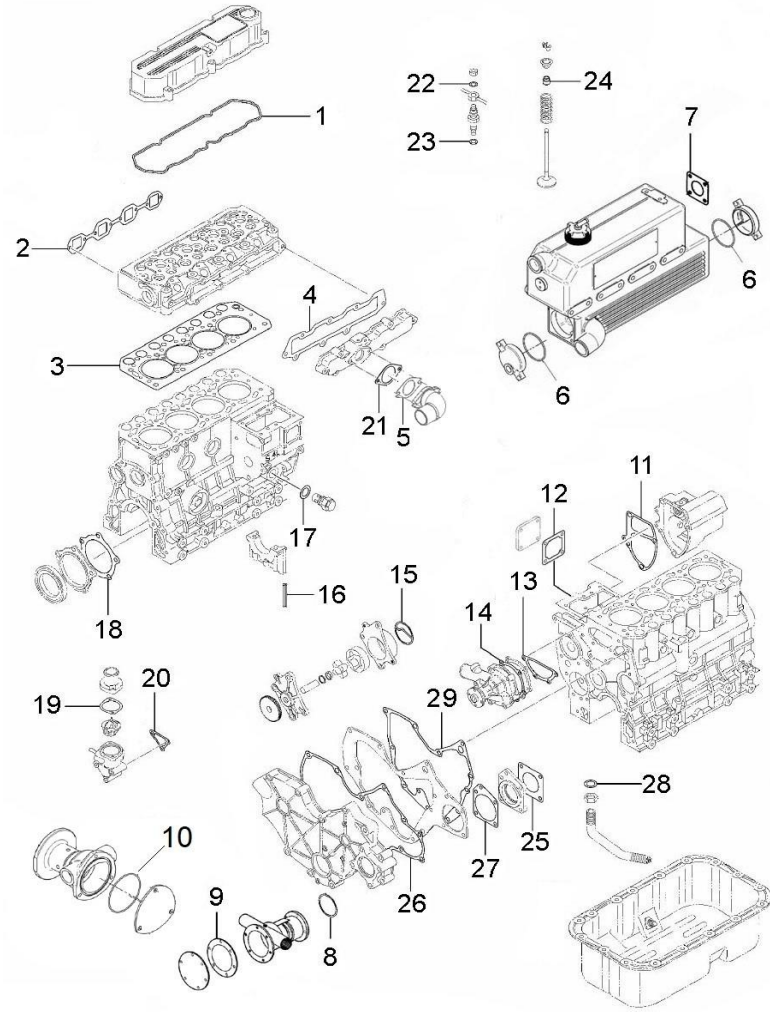




| D_AXGD_4_2 |             | Cabin Kit |   |      |      |
|------------|-------------|-----------|---|------|------|
| FIG.       | REF.        | QTY       | DESCR.  | FROM | UPTO |
| 36         | 60572014    | 1         | Water Wall Bushing D.20                       |      |      |
| 37         | 60572014.1  | 1         | 3/4" GAS Nut                                  |      |      |
| 38         | 60573014    | 1         | Exhaust Wall PASS D.50                        |      |      |
| 39         | 60573041.39 | 3         | ROD Coupling 1/8 BSP                          |      |      |
| 40         | 60573041.42 | 1         | L FASTENING Bracket With OMEGA                |      |      |
| 41         | 60573041.46 | 1         | Air Connection D.50                           |      |      |
| 42         | 60573041.64 | 1         | Switch Disconnecter Omega Bracket             |      |      |
| 43         | 60573047    | 1         | Battery Plug IN                               |      |      |
| 44         | 60573048    | 1         | Battery Plug IN                               |      |      |
| 45         | 60900508    | 4         | Shutter 31                                    |      |      |
| 46         | 61673001    | 4         | Engine Mount Type F 35 SHA M12 H 34           |      |      |
| 47         | 60900510    | 1         | Emergency Stop PUSH BOTTOM                    |      |      |
| 48         | 60971085    | 1         | FOUR PoleS 25A DISConnector                   |      |      |
| NS         | 17210074    | 4         | Spacer 17X30X5 [NS]                           |      |      |
| NS         | 52102256    | 1         | Bolt DIN 933 M8-16 8.8 [NS]                   |      |      |
| NS         | 52202358    | 1         | Bolt DIN 933 M12-1,25-25 8.8 [NS]             |      |      |
| NS         | 54082025    | 2         | Clamp DIN 3017 25-40/12 W4 [NS]               |      |      |
| NS         | 54082032    | 2         | Clamp DIN 3017 32-50/12 W4 [NS]               |      |      |
| NS         | 58018160    | 5         | Screw [NS]                                    |      |      |
| NS         | 60972073    | 1         | 0,25 M. CHASSIS TO MOTOR Wiring GROUND [NS]   |      |      |
| NS         | 60972074    | 1         | 0,44 M. Back Panel To Alt. Wiring Ground [NS] |      |      |
| NS         | 60972090    | 2         | TER. PROTECTIVE 20 RED [NS]                   |      |      |
| NS         | 60972091    | 2         | TER. PROTECTIVE 20 BLACK [NS]                 |      |      |
| NS         | 60972093    | 1         | TER. PROTECTIVE 28 BLACK [NS]                 |      |      |
| NS         | 60972094    | 1         | TER. PROTECTIVE 28 RED [NS]                   |      |      |
| NS         | 60973048    | 1         | BLACK Battery NEGATIVE Wiring [NS]            |      |      |
| NS         | 60973049    | 1         | RED Battery POSITIVE Wiring [NS]              |      |      |
| NS         | M88564500   | 1,2       | Air Aspiration Hose D. 45 [NS]                |      |      |
| NS         | M88565000   | 0,3       | Air Aspiration Hose D. 50 [NS]                |      |      |
| NS         | TP.16.L.22  | 4         | Twin Connector Terminal 16 Sec. [NS]          |      |      |

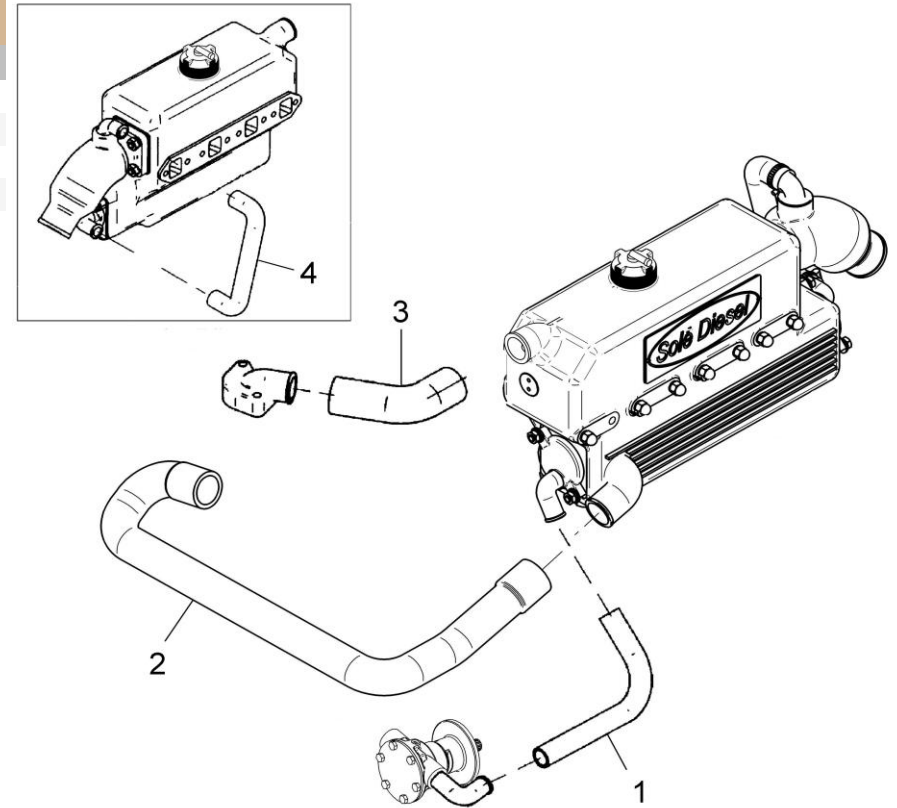


| D_17320101G |             | Gasket Kit |                             |            |            |  |
|-------------|-------------|------------|-----------------------------|------------|------------|--|
| FIG.        | REF.        | QTY        | DESCR.                      | FROM       | UPTO       |  |
| 1           | 17321010    | 1          | Rocker Cover Gasket         |            |            |  |
| 2           | 17321035.1  | 1          | Gasket                      |            |            |  |
| 3           | 17321004    | 1          | Gasket, Cylinder Head       |            |            |  |
| 4           | 17321032    | 1          | Gasket, Inlet Cover         |            |            |  |
| 5           | 17321033    | 1          | Inlet Pipe Gasket           |            |            |  |
| 6           | 13811007    | 2          | O-Ring D. 57X2,5            |            |            |  |
| 7           | 15113043    | 1          | Exhaust Elbow Gasket        |            |            |  |
| 8           | 17011007    | 1          | O-Ring D. 57X3              |            |            |  |
| 9           | 31211003    | 1          | Gasket Cover                |            |            |  |
| 10          | 37611003    | 1          | O-Ring D. 57x1,5            |            | 01/06/2022 |  |
| 10          | 37611005    | 1          | O-Ring D. 57X1,78           | 02/06/2022 |            |  |
| 11          | 17223033    | 1          | Gasket, Governor Case       |            |            |  |
| 12          | 13223014    | 1          | Gasket Cover                |            |            |  |
| 13          | 13221022    | 1          | Gasket Water Pump           |            |            |  |
| 14          | 13221041    | 1          | Gasket Water Pump           |            |            |  |
| 15          | 17224041    | 1          | Packing, Body               |            |            |  |
| 16          | 17220002    | 4          | Seal, Side                  |            |            |  |
| 17          | 17424063    | 1          | Gasket                      |            |            |  |
| 18          | 17220016    | 1          | Gasket, Oil Seal Case       |            |            |  |
| 19          | 17221031    | 1          | Gasket, Thermostat          |            |            |  |
| 20          | 17221033    | 1          | Gasket, Thermostat Case     |            |            |  |
| 21          | 17321034.4  | 1          | Pipe Inlet Gasket           |            |            |  |
| 22          | 17424025G.1 | 4          | Gasket Fuel Return (Genset) |            |            |  |
| 23          | 13824013    | 4          | Injector Washer             |            |            |  |
| 24          | 13222054    | 8          | Seal Valve Stem             |            |            |  |
| 25          | 13120047    | 3          | Gasket Water Pump           |            |            |  |
| 26          | 17220040    | 1          | Gasket, Gear Case           |            |            |  |
| 27          | 17220038    | 1          | Gasket, Housing             |            |            |  |
| 28          | 17024001    | 1          | Gasket                      |            |            |  |
| 29          | 17220018    | 1          | Gasket, Front Plate         |            |            |  |

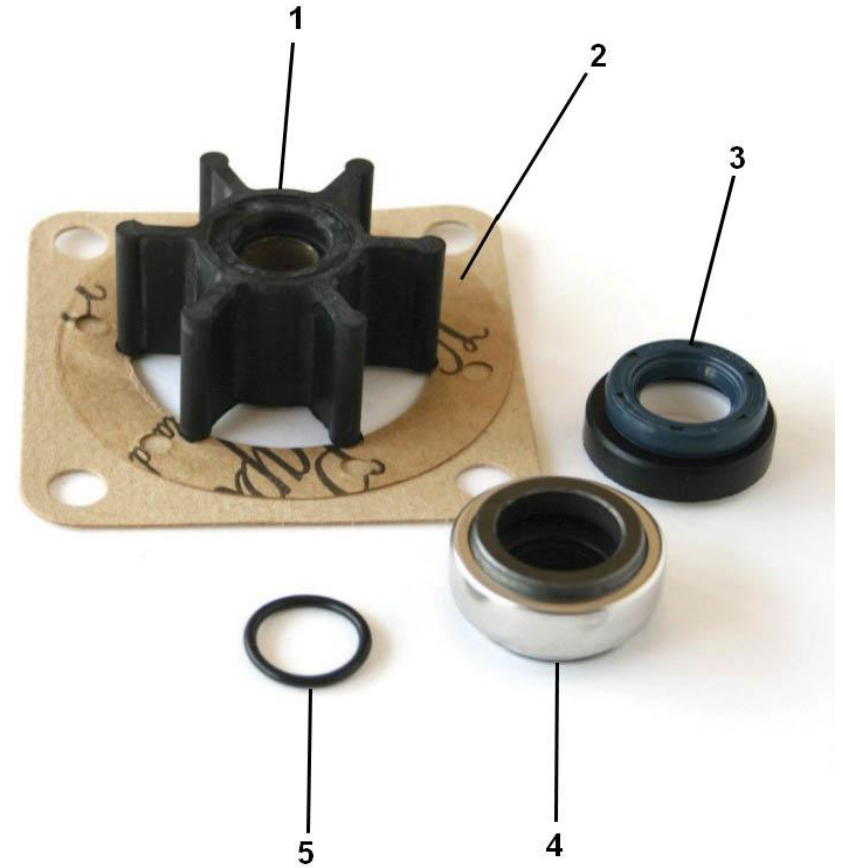




| 17211100.4 |          | Pipe Rubber Set, Water Line |                               |      |      |  |
|------------|----------|-----------------------------|-------------------------------|------|------|--|
| FIG.       | REF.     | QTY                         | DESCR.                        | FROM | UPTO |  |
| 1          | 17011012 | 1                           | Elbow                         |      |      |  |
| 2          | 17211006 | 1                           | Hose                          |      |      |  |
| 3          | 17211021 | 1                           | Elbow                         |      |      |  |
| 4          | 17211034 | 1                           | Rubber WET Exhaust Inlet BEND |      |      |  |



| 33811000K |          | Repair Kit Water Pump 1/2" |                     |      |      |  |
|-----------|----------|----------------------------|---------------------|------|------|--|
| FIG.      | REF.     | QTY                        | DESCR.              | FROM | UPTO |  |
| 1         | 31211008 | 1                          | 1/2" Impeller       |      |      |  |
| 2         | 31211003 | 1                          | Gasket Cover        |      |      |  |
| 3         | 33411020 | 1                          | Seal                |      |      |  |
| 4         | 33411019 | 1                          | Seal                |      |      |  |
| 5         | 33311013 | 1                          | O-Ring D. 15X2      |      |      |  |
| NS        | 17011007 | 1                          | O-Ring D. 57X3 [NS] |      |      |  |



[NS] Not shown

| 37611000K |          | Repair Kit Water Pump 1/2" |                     |            |            |  |
|-----------|----------|----------------------------|---------------------|------------|------------|--|
| FIG.      | REF.     | QTY                        | DESCR.              | FROM       | UPTO       |  |
| 1         | 31211008 | 1                          | 1/2" Impeller       |            |            |  |
| 2         | 37611003 | 1                          | O-Ring D. 57x1,5    |            | 01/06/2022 |  |
| 2         | 37611005 | 1                          | O-Ring D. 57X1,78   | 02/06/2022 |            |  |
| 3         | 33411020 | 1                          | Seal                |            |            |  |
| 4         | 33411019 | 1                          | Seal                |            |            |  |
| 5         | 33311013 | 1                          | O-Ring D. 15X2      |            |            |  |
| NS        | 17011007 | 1                          | O-Ring D. 57X3 [NS] |            |            |  |



[NS] Not shown



| D_UTILFA1229_1 |             | Special Tools |                            |      |      |  |
|----------------|-------------|---------------|----------------------------|------|------|--|
| FIG.           | REF.        | QTY           | DESCR.                     | FROM | UPTO |  |
| 1              | UMM74007    | 1             | Piston Ring Pliers         |      |      |  |
| 2              | U31A9100100 | 1             | Piston pin setting tool    |      |      |  |
| 3              | UST332270   | 1             | Compression Gauge Adapter  |      |      |  |
| 4              | UST332340   | 1             | Camshaft Bushing Installer |      |      |  |

