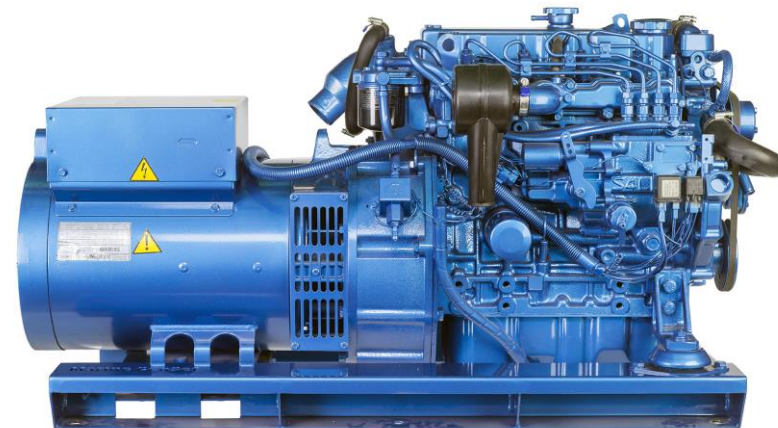
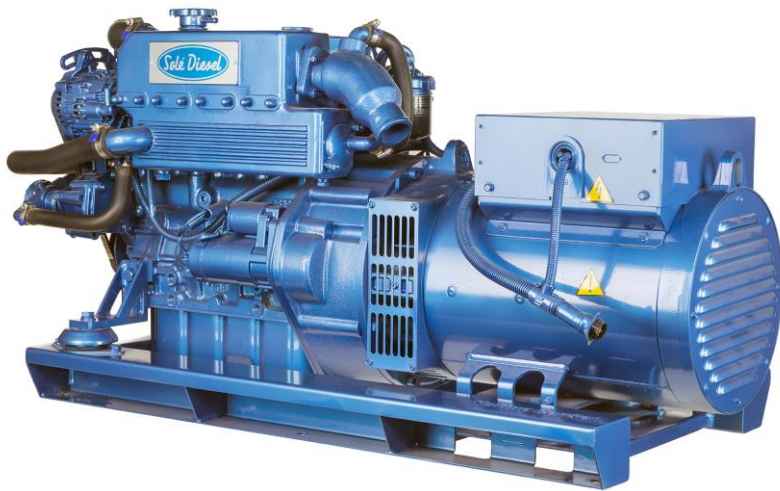




## Genset G-25M-3 & G-25T-3

VERSION 2023-8

SPARE PARTS MANUAL



## PARTS LIST CATALOGUE

### NORMS TO PLACE AN ORDER:

For fast and more efficient service, please specify the following information on spare parts orders that must be preferably done by FAX or e-mail as specified below:

- 1- Engine model: As shown in identification plate
- 2- Engine serial number: As shown in identification plate and stamped on crankcase
- 3- Item description + part number + quantity required

---

### Spare parts requests must be addressed to:

[recambios@solediesel.com](mailto:recambios@solediesel.com)

Telf.: +34 93 775 44 05

Fax: +34 93 775 30 13

---

The components shown in the catalog have:

- Figure: Number by which they are represented in scheme
  - Description: Trade name of the component
  - Quantity: Total number of parts used in the assembly of the part represented (may differ from the total minimum quantities)
- Hoses, indicates the total length in meters

---

*The diagrams shown in this catalog of spare parts, have only the purpose to identify the piece in question, its representation is not meaningful and may differ from the actual piece.*

*In case of doubt, contact Solé Diesel, or your authorized dealer.*

*The parts i / or references in this catalog are subject to change without notice.*

---

[SOLE S.A.](#)

C-243b, Km, 2 - P.O. BOX 15  
08760 Martorell (Barcelona) Spain

---

Download the latest version of this manual [HERE](#)

## Engine Body

Cylinder Head  
Rocker Cover and Breather  
Valve Drive  
Timing Parts  
Gear Case  
Crankcase  
Rear Plate  
Piston & Connection Rod  
Crankshaft & Flywheel  
Oil System  
Oil Pan  
Engine Brackets

## Inlet & Exhaust

Inlet

## Cooling System

Water Pump  
Cooler Pipes  
Water Cooler Assy MINI-44 v6 from to 27/11/2020  
Wet Exhaust  
Splined Pump 1/2" MINI-11/17/29/33/44

## Fuel System

Fuel Pipe  
Injection Nozzle  
Fuel Injection Pump  
Governor Parts  
Fuel Supply Parts

## Electrical System

Electrical System 12V  
Panels for Genset  
Panel Components for Genset  
Genset Extension

## Genset Alternator Spare Parts

Alternator G-25M-3 Y G-25T-3  
Alternator Spare Parts G-25M-3 & G-25T-3

## Genset Alternator Kit

Alternator Kit

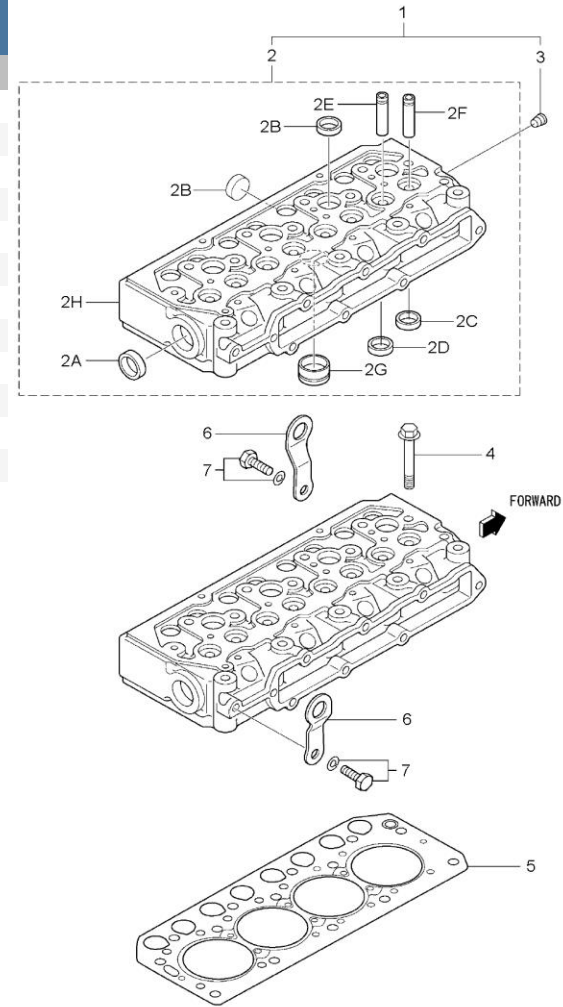
## Chassis Spare Parts

Genset Chassis

## Maintenance Kit

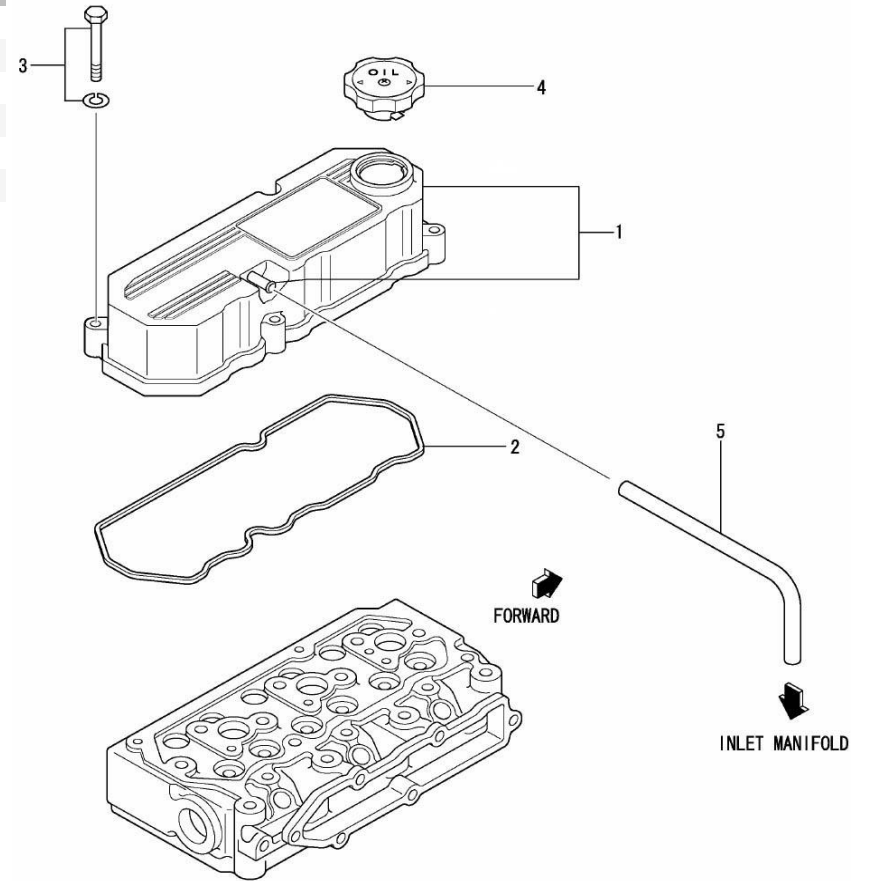
Gasket Kit  
Pipe Rubber Set, Water Line  
Gasket Set  
Repair Kit Water Pump 1/2"  
Repair Kit Water Pump 1/2"  
Special Tools

| D_MID1_1_1 |            | Cylinder Head |                       |      |      |  |
|------------|------------|---------------|-----------------------|------|------|--|
| FIG.       | REF.       | QTY           | DESCR.                | FROM | UPTO |  |
| 1          | 17721001   | 1             | Head Assy,Cylinder    |      |      |  |
| 2          | (*)        | 1             | Not available [NP]    |      |      |  |
| 2A         | 17221012.4 | 1             | Cap Sealing           |      |      |  |
| 2B         | 13220012   | 7             | Cap Sealing           |      |      |  |
| 2E         | 17221002.4 | 4             | Guide, Valve Exhaust  |      |      |  |
| 2F         | 17321003.4 | 4             | Guide, Valve, Inlet   |      |      |  |
| 2G         | 17321015.1 | 4             | JET,COMBUSTION [NP]   |      |      |  |
| 3          | 17621011.4 | 1             | Plug TAPER            |      |      |  |
| 4          | 17221005   | 14            | Bolt,cylinder head    |      |      |  |
| 5          | 17321004   | 1             | Gasket, Cylinder Head |      |      |  |
| 6          | 17210008   | 2             | HANGER, Engine        |      |      |  |
| 7          | 13322079   | 2             | Bolt                  |      |      |  |



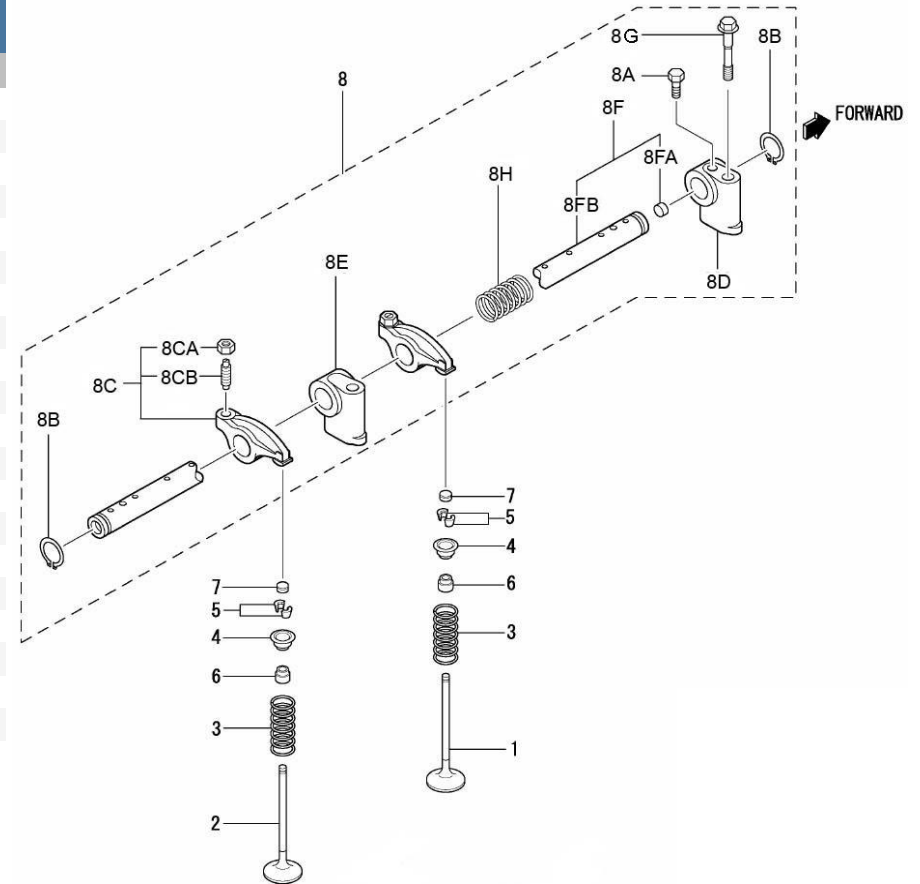
[NP] Not provided

| D_MID1_1_2 |            | Rocker Cover and Breather |                         |      |      |  |
|------------|------------|---------------------------|-------------------------|------|------|--|
| FIG.       | REF.       | QTY                       | DESCR.                  | FROM | UPTO |  |
| 1          | 17321009   | 1                         | Cover Assy, Rocker      |      |      |  |
| 2          | 17321010   | 1                         | Rocker Cover Gasket     |      |      |  |
| 3A         | 52101261   | 5                         | Bolt DIN 931 M8-40 8.8  |      |      |  |
| 3B         | 53033008   | 5                         | Washer GROWER DIN 127-8 |      |      |  |
| 4          | 13221003   | 1                         | Cap Oil FILLER          |      |      |  |
| 5          | 17321006.4 | 1                         | Hose Breather           |      |      |  |



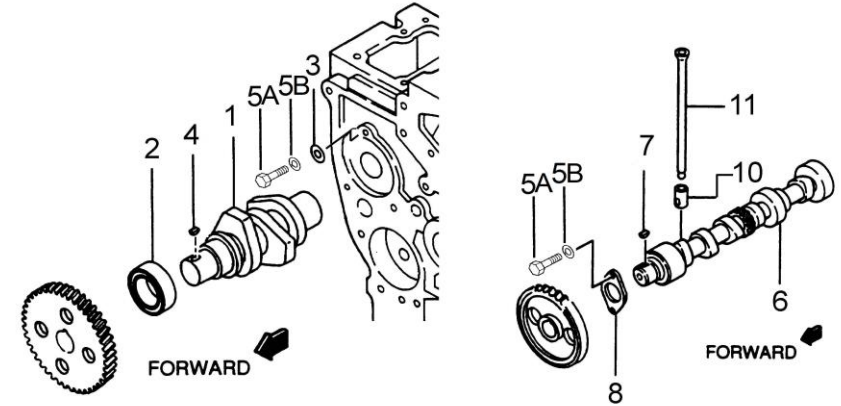
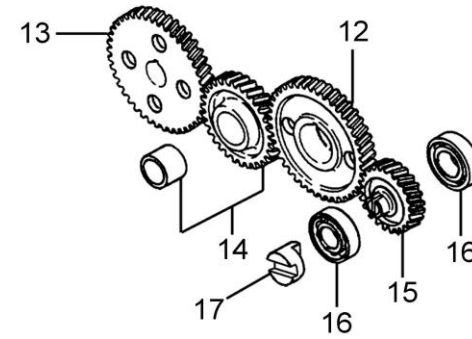


| D_MID1_1_3 |             | Valve Drive |                       |      |      |  |
|------------|-------------|-------------|-----------------------|------|------|--|
| FIG.       | REF.        | QTY         | DESCR.                | FROM | UPTO |  |
| 1          | 17222055    | 4           | Intake Valve Exhaust  |      |      |  |
| 2          | 17222056    | 4           | Valve                 |      |      |  |
| 3          | 17222057.4  | 8           | Spring, Valve         |      |      |  |
| 4          | 13822058    | 8           | Retainer Valve SP     |      |      |  |
| 5          | 17622059.4  | 16          | LOCK Valve            |      |      |  |
| 6          | 13222054    | 8           | Seal Valve Stem       |      |      |  |
| 7          | 13822069    | 8           | Cap Stem              |      |      |  |
| 8          | (*)         | 1           | Not available [NP]    |      |      |  |
| 8A         | 17222053    | 1           | Bolt                  |      |      |  |
| 8B         | 17222050    | 2           | Ring, SNAP            |      |      |  |
| 8C         | 17222142    | 8           | Rocker Assy           |      |      |  |
| 8CA        | 17122060    | 8           | Nut                   |      |      |  |
| 8CB        | 17122044    | 8           | Screw Adjusting       |      |      |  |
| 8D         | 17222048.4  | 1           | Bracket, Rocker Shaft |      |      |  |
| 8E         | 17222049.4  | 3           | Bracket, Rocker Shaft |      |      |  |
| 8F         | 17322146.4  | 1           | Rocker & Shaft Assy   |      |      |  |
| 8FA        | 17222025.4  | 2           | Cap, Sealing          |      |      |  |
| 8FB        | 17322046.4  | 1           | Shaft Assy, Rocker    |      |      |  |
| 8G         | 17222053.5G | 4           | Bolt                  |      |      |  |
| 8H         | 17222047.4  | 3           | Spring                |      |      |  |

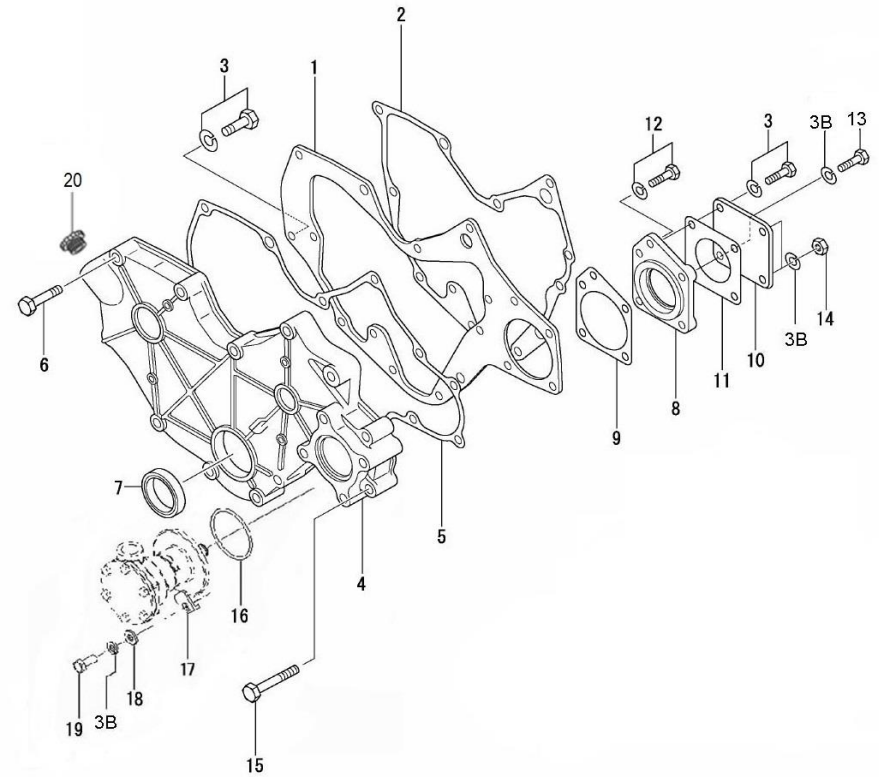


[NP] Not provided

| D_MID1_1_4 |            | Timing Parts |                            |      |      |  |
|------------|------------|--------------|----------------------------|------|------|--|
| FIG.       | REF.       | QTY          | DESCR.                     | FROM | UPTO |  |
| 1          | 17322040.4 | 1            | Shaft, Fuel Injection Pump |      |      |  |
| 2          | 13222062   | 1            | Ball Bearing 6228          |      |      |  |
| 3          | 17222065   | 1            | Washer                     |      |      |  |
| 4          | 17622060.4 | 1            | Key, Sunk                  |      |      |  |
| 5A         | 52102256   | 3            | Bolt DIN 933 M8-16 8.8     |      |      |  |
| 5B         | 53033008   | 3            | Washer GROWER DIN 127-8    |      |      |  |
| 6          | 17322035.4 | 1            | CamShaft                   |      |      |  |
| 7          | 17222020.4 | 1            | KEY                        |      |      |  |
| 8          | 17422075   | 1            | Plate,THRUST               |      |      |  |
| 10         | 17322061.4 | 8            | Tappet                     |      |      |  |
| 11         | 17222041   | 8            | ROD, PUSH                  |      |      |  |
| 12         | 17322037.4 | 1            | Gear, CamShaft             |      |      |  |
| 13         | 17322043.1 | 1            | Gear,Injection Pump        |      |      |  |
| 14         | 17222038.4 | 1            | Gear Assy, IDLER           |      |      |  |
| 15         | 17322066.4 | 1            | Gear, Pressure Oil Pump    |      |      |  |
| 16         | 17022067   | 2            | Ball Bearing 6205-C3       |      |      |  |
| 17         | 17311026   | 1            | Coupling,Water Pump        |      |      |  |

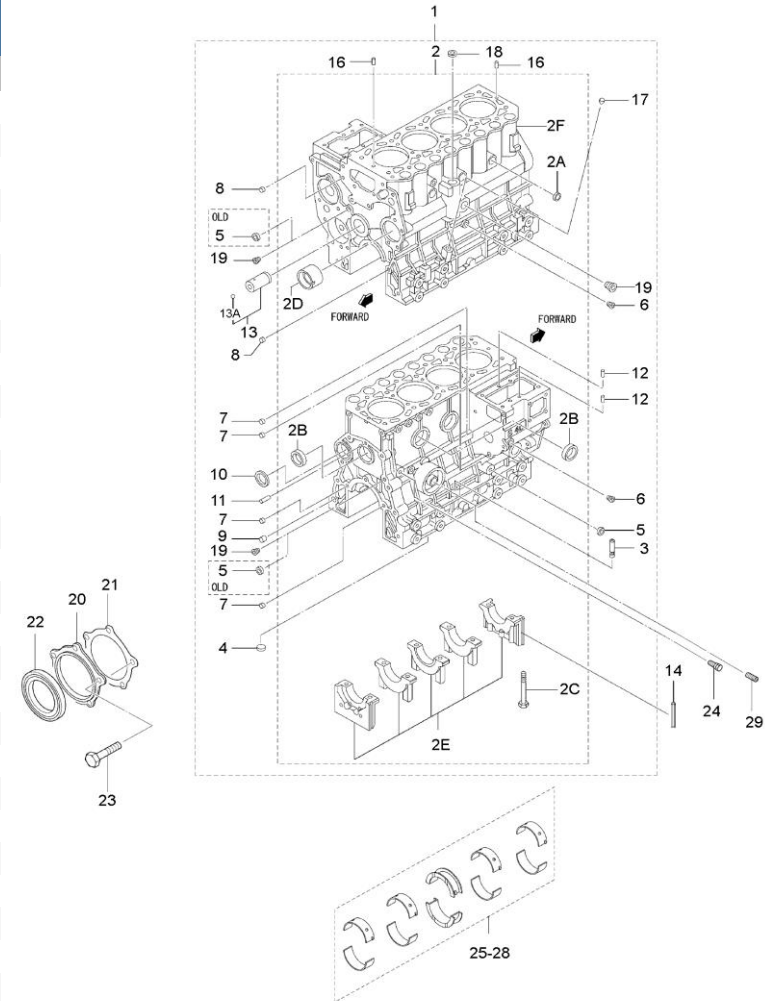


| D_MID1_1_5 |            | Gear Case |                         |      |      |
|------------|------------|-----------|-------------------------|------|------|
| FIG.       | REF.       | QTY       | DESCR.                  | FROM | UPTO |
| 1          | 17220024   | 1         | Plate, Front            |      |      |
| 2          | 17220018   | 1         | Gasket, Front Plate     |      |      |
| 3A         | 52102256   | 5         | Bolt DIN 933 M8-16 8.8  |      |      |
| 3B         | 53033008   | 12        | Washer GROWER DIN 127-8 |      |      |
| 4          | 17220035   | 1         | Case Gear               |      |      |
| 5          | 17220040   | 1         | Gasket, Gear Case       |      |      |
| 6          | 17220034.4 | 8         | Bolt                    |      |      |
| 7          | 13220039   | 1         | Seal Oil                |      |      |
| 8          | 17220037   | 1         | Housing, Gear Pump      |      |      |
| 9          | 17220038   | 1         | Gasket, Housing         |      |      |
| 10         | 13120046   | 1         | Cover Oil Pump SH       |      |      |
| 11         | 13120047   | 1         | Gasket Water Pump       |      |      |
| 12         | 13322078   | 1         | Bolt                    |      |      |
| 13         | 52101260   | 1         | Bolt DIN 931 M8-35 8.8  |      |      |
| 14         | 17120049   | 2         | Nut M8                  |      |      |
| 15         | 17024062   | 2         | Bolt                    |      |      |
| 16         | 17011007   | 1         | O-Ring D. 57X3          |      |      |
| 17         | 13811062   | 4         | Pump Bracket            |      |      |
| 18         | 51030008   | 4         | Washer DIN 125-8        |      |      |
| 19         | 52102257   | 4         | Bolt DIN 933 M8-20 8.8  |      |      |
| 20         | 17621003   | 1         | Cap Oil FILLER          |      |      |





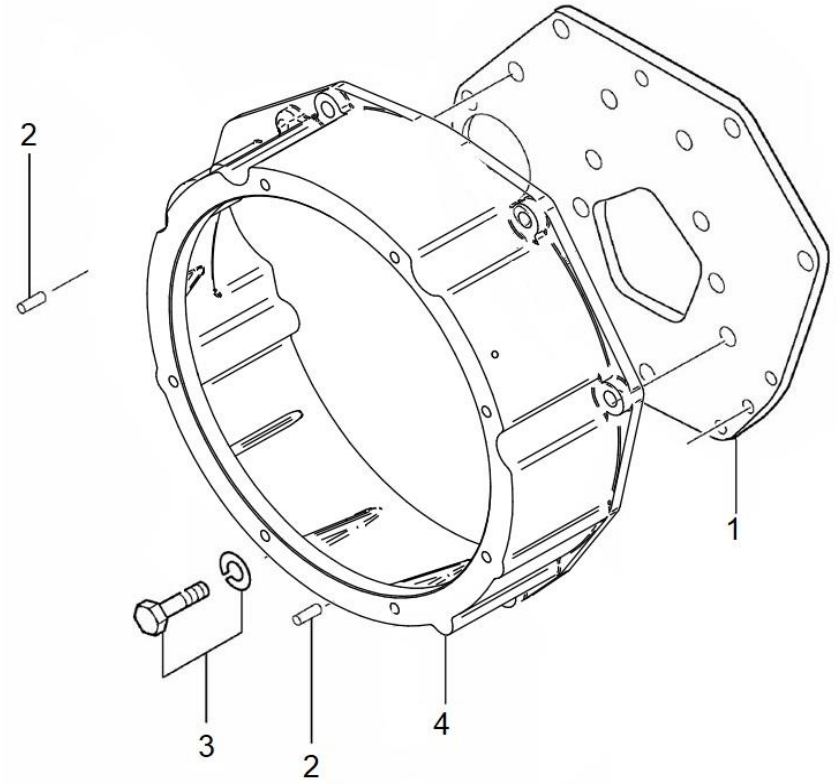
| D_MID1_1_6 |            | Cranckcase |                         |      |      |
|------------|------------|------------|-------------------------|------|------|
| FIG.       | REF.       | QTY        | DESCR.                  | FROM | UPTO |
| 1          | 17320001.4 | 1          | Block Assy, Cylinder    |      |      |
| 2          | (*)        | 2          | Not available [NP]      |      |      |
| 2A         | 17220006.4 | 3          | Cap, Sealing            |      |      |
| 2B         | 17221012.4 | 3          | Cap Sealing             |      |      |
| 2C         | 17220009   | 10         | Bolt Bearing Cap        |      |      |
| 2D         | 17220011   | 1          | Bushing, CamShaft       |      |      |
| 3          | 17620007.4 | 1          | Guide                   |      |      |
| 4          | 17220012.4 | 1          | Cap, Sealing            |      |      |
| 5          | 17220013   | 3          | Cap, Sealing            |      |      |
| 6          | 17220013.4 | 2          | Plug                    |      |      |
| 7          | 17220010.4 | 4          | BUSHING,KNOCK           |      |      |
| 8          | 17620022.4 | 2          | BUSHING,KNOCK           |      |      |
| 9          | 17220022.4 | 1          | BUSHING,KNOCK           |      |      |
| 10         | 17220019   | 1          | Plug, Expansion         |      |      |
| 11         | 17620020.4 | 1          | Pin                     |      |      |
| 12         | 17620036.4 | 2          | Pin Dowel               |      |      |
| 13         | 17220014.4 | 1          | Shaft Assy, IDLER       |      |      |
| 13A        | 17220028   | 1          | Ball                    |      |      |
| 14         | 17220002   | 4          | Seal, Side              |      |      |
| 15         | 17720011   | 2          | Plug,TAPERED            |      |      |
| 16         | 17120019   | 2          | Pin, dowel              |      |      |
| 17         | 17220023.4 | 1          | Plug, TAPER             |      |      |
| 18         | 17020014   | 1          | Cap                     |      |      |
| 19         | 17620024.4 | 5          | Plug TAPER              |      |      |
| 20         | 17220015.4 | 1          | Case, Oil Seal          |      |      |
| 21         | 17220016   | 1          | Gasket, Oil Seal Case   |      |      |
| 22         | 17220063   | 1          | Seal, Oil               |      |      |
| 23         | 17220059.4 | 5          | Bolt                    |      |      |
| 24         | 17120022   | 1          | Plug, tapered           |      |      |
| 25         | 13220003   | 1          | Bearing Set CRANK       |      |      |
| 26         | 13220004   | 0          | Bearing Set CRANK [VAR] |      |      |
| 27         | 13220005   | 0          | Bearing Set CRANK [VAR] |      |      |
| 28         | 13220006   | 0          | Bearing Set CRANK [VAR] |      |      |
| 29         | 17624047.4 | 1          | Shaft Oil Filter        |      |      |



[NP] Not provided

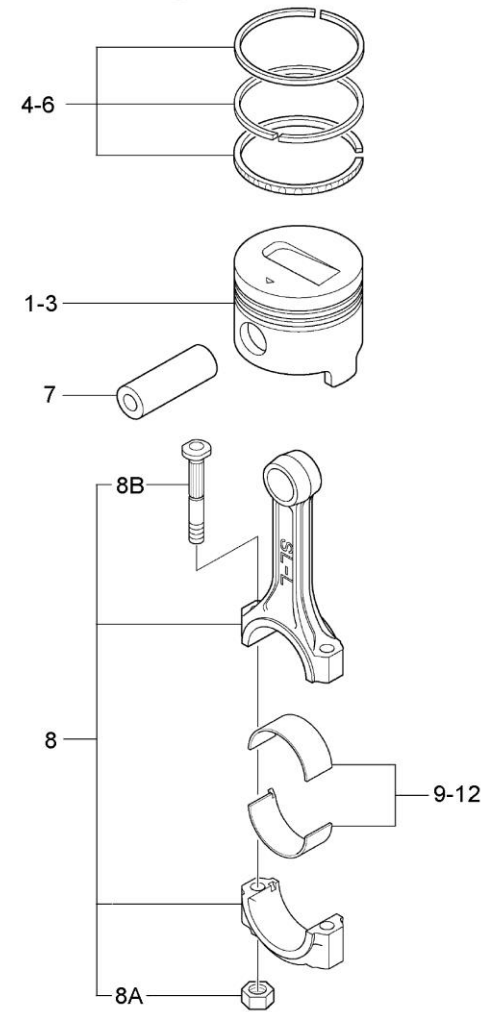
[VAR] Variable according to repair

| D_MI44GST3ST_01_7 |          | Rear Plate |                                   |      |      |  |
|-------------------|----------|------------|-----------------------------------|------|------|--|
| FIG.              | REF.     | QTY        | DESCR.                            | FROM | UPTO |  |
| 4                 | 13410019 | 1          | SAE 5,adaptor flange              |      |      |  |
| NS                | 17310011 | 1          | Suplement,Flywheel SAE 6 1/2 [NS] |      |      |  |



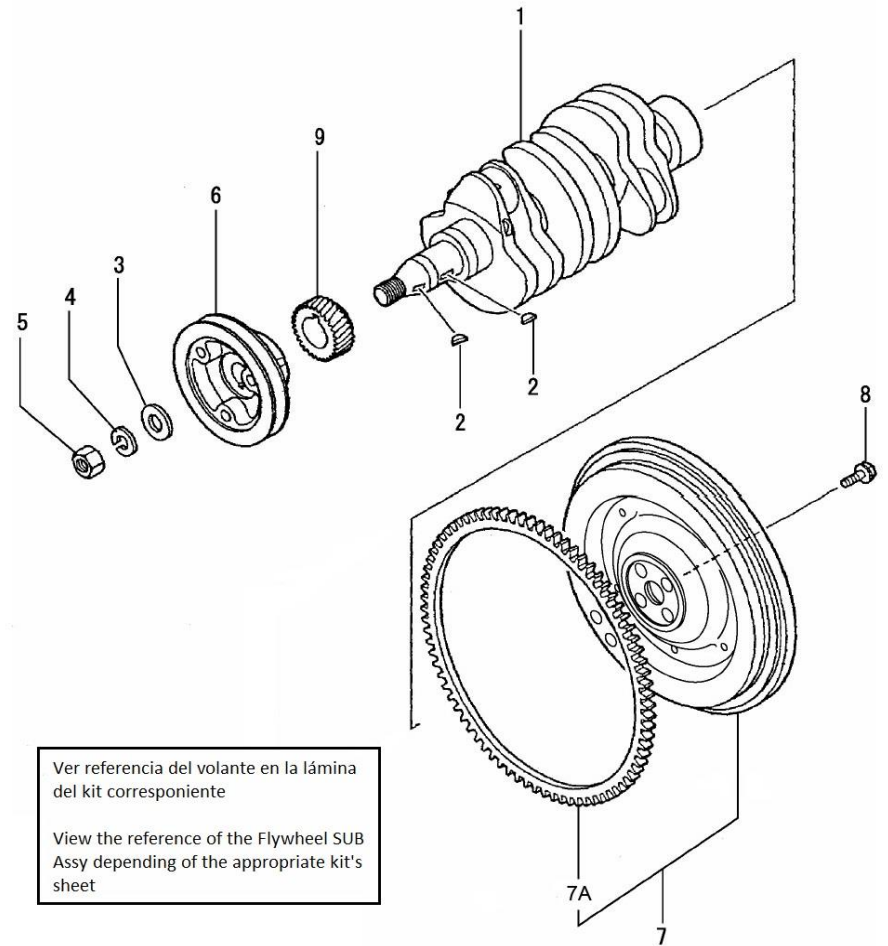
[NS] Not shown

| D_MID1_1_8 |            | Piston & Connection Rod |                                 |      |      |  |
|------------|------------|-------------------------|---------------------------------|------|------|--|
| FIG.       | REF.       | QTY                     | DESCR.                          | FROM | UPTO |  |
| 1          | 17222001   | 4                       | Piston STD.                     |      |      |  |
| 2          | 17222002   | 0                       | Piston + 0,25 [VAR]             |      |      |  |
| 3          | 17222003   | 0                       | Piston + 0,50 [VAR]             |      |      |  |
| 4          | 17222006   | 4                       | Ring Set, Piston STD            |      |      |  |
| 5          | 17222007   | 0                       | Ring Set, Piston + 0,25 [VAR]   |      |      |  |
| 6          | 17722008   | 0                       | Ring Set,Piston O.S 0.50 [VAR]  |      |      |  |
| 7          | 17222009   | 4                       | Pin, Piston                     |      |      |  |
| 8          | 17322010.4 | 4                       | ROD Assy, CONNECTING            |      |      |  |
| 8A         | 17022011   | 8                       | Nut,connecting rod              |      |      |  |
| 8B         | 17222013   | 8                       | Bolt,connecting rod             |      |      |  |
| 9          | 17222014   | 4                       | Metal Set, Con Rod STD.         |      |      |  |
| 10         | 17222015   | 0                       | METAL Set, CON ROD - 0,25 [VAR] |      |      |  |
| 11         | 17222016   | 0                       | METAL Set, CON ROD - 0,50 [VAR] |      |      |  |
| 12         | 17222017   | 0                       | METAL Set, CON ROD - 0,75 [VAR] |      |      |  |

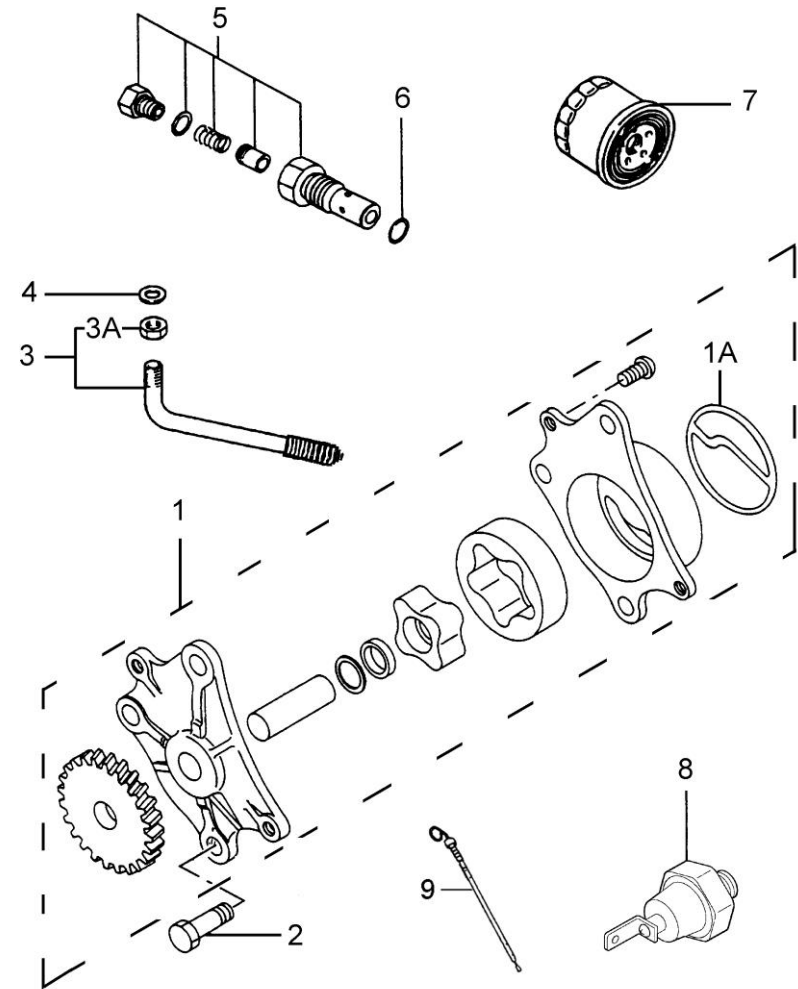


[VAR] Variable according to repair

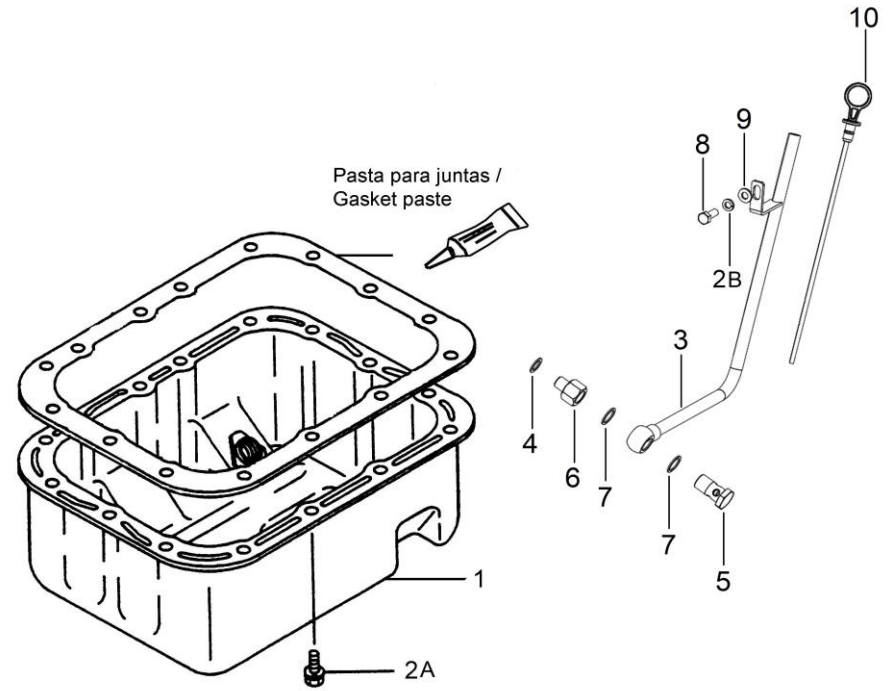
| D_MID1_1_9 Crankshaft & Flywheel |            |     |                          |      |      |  |
|----------------------------------|------------|-----|--------------------------|------|------|--|
| FIG.                             | REF.       | QTY | DESCR.                   | FROM | UPTO |  |
| 1                                | 17322018   | 1   | CrankShaft               |      |      |  |
| 2                                | 17222020.4 | 2   | KEY                      |      |      |  |
| 3                                | 17222051   | 1   | Washer, Plain            |      |      |  |
| 4                                | 53033018   | 1   | Washer GROWER DIN 127-18 |      |      |  |
| 5                                | 13222026   | 1   | Nut                      |      |      |  |
| 6                                | 17322024.4 | 1   | Pulley CrankShaft        |      |      |  |
| 7                                | 17322027.4 | 1   | Flywheel Sub Assy        |      |      |  |
| 7A                               | 13222029   | 1   | Gear                     |      |      |  |
| 8                                | 17222031.4 | 4   | Bolt Drive               |      |      |  |
| 9                                | 17222021.4 | 1   | Gear, CrankShaft         |      |      |  |



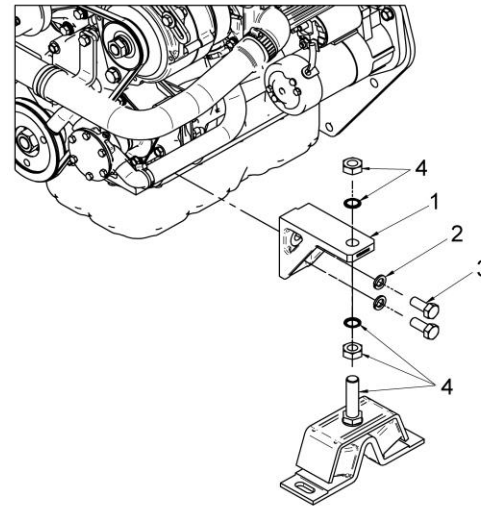
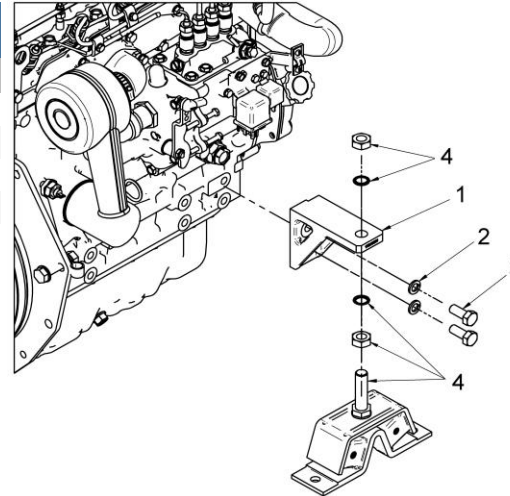
| D_MID1_1_10 |            | Oil System |                                       |      |      |  |
|-------------|------------|------------|---------------------------------------|------|------|--|
| FIG.        | REF.       | QTY        | DESCR.                                | FROM | UPTO |  |
| 1           | 17224040   | 1          | Pump Assy, Oil                        |      |      |  |
| 1A          | 17224041   | 1          | Packing, Body                         |      |      |  |
| 2           | 52102258   | 3          | Bolt DIN 933 M8-25 8.8                |      |      |  |
| 3           | 17324052.4 | 1          | Strainer Assy                         |      |      |  |
| 3A          | 51221016   | 1          | Nut DIN 936 M16X1,5 5.6 ZINC          |      |      |  |
| 4           | 17024001   | 1          | Gasket                                |      |      |  |
| 5           | 17124072   | 1          | Valve, Assy                           |      |      |  |
| 6           | 17424063   | 1          | Gasket                                |      |      |  |
| 7           | 13124051   | 1          | Oil Filter Element from MINI 11 to 55 |      |      |  |
| 8           | 17327027.4 | 1          | SWITCH, oil pressure                  |      |      |  |
| 9           | 17220029.4 | 1          | Gauge Oil LEVEL                       |      |      |  |



| D_MID2_1_11 |            | Oil Pan |                         |      |      |  |
|-------------|------------|---------|-------------------------|------|------|--|
| FIG.        | REF.       | QTY     | DESCR.                  | FROM | UPTO |  |
| 1           | 17320030.4 | 1       | Pan Assy, Oil           |      |      |  |
| 2A          | 52102256   | 15      | Bolt DIN 933 M8-16 8.8  |      |      |  |
| 2B          | 53033008   | 16      | Washer GROWER DIN 127-8 |      |      |  |
| 3           | 17312030   | 1       | Tube Oil Gauge          |      |      |  |
| 4           | 56000069   | 1       | Washer 14-20-1,5        |      |      |  |
| 5           | 16514022   | 1       | Coupling,screw 18x150   |      |      |  |
| 6           | 17312031   | 1       | Adapter                 |      |      |  |
| 7           | 56000077   | 2       | Washer 18-23-1,5        |      |      |  |
| 8           | 52102257   | 1       | Bolt DIN 933 M8-20 8.8  |      |      |  |
| 9           | 51030008   | 1       | Washer DIN 125-8        |      |      |  |
| 10          | 17312029   | 1       | Oil Dipstick            |      |      |  |

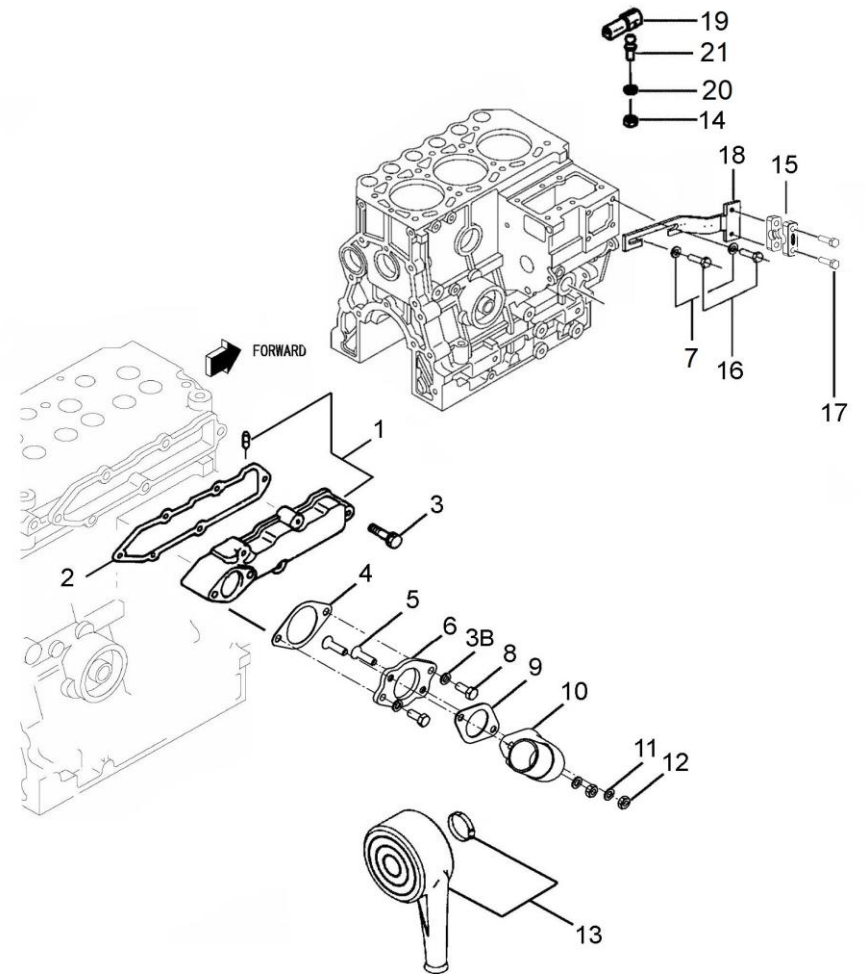


| D_MID2_1_12 |          | Engine Brackets |                                      |      |      |  |
|-------------|----------|-----------------|--------------------------------------|------|------|--|
| FIG.        | REF.     | QTY             | DESCR.                               | FROM | UPTO |  |
| 1           | 17210028 | 2               | Bracket, Front                       |      |      |  |
| 2           | 53033012 | 4               | Washer Grower DIN 127-12             |      |      |  |
| 3           | 52202358 | 4               | Bolt DIN 933 M12-1,25-25 8.8         |      |      |  |
| 4           | 61673100 | 4               | Engine Mount Type D 45 SHA M16 H 114 |      |      |  |





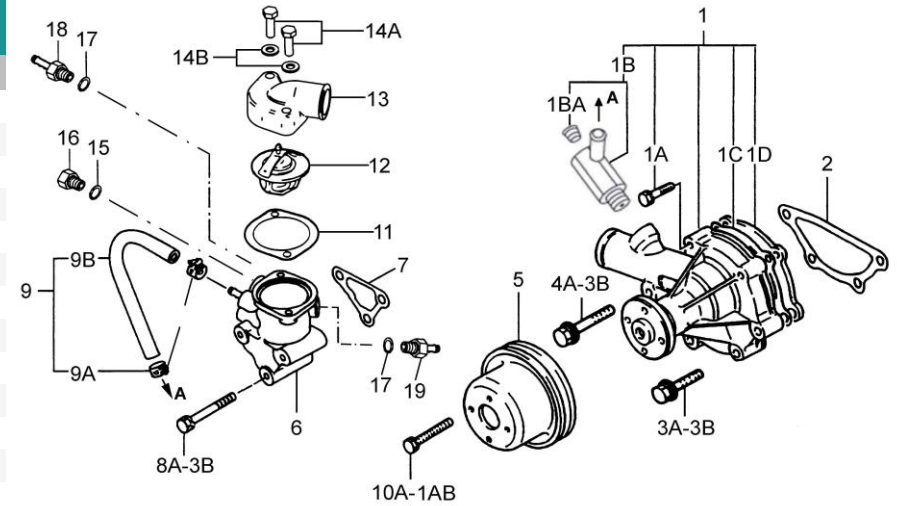
| D_MID2_2_1 |            | Inlet |                                |      |      |  |
|------------|------------|-------|--------------------------------|------|------|--|
| FIG.       | REF.       | QTY   | DESCR.                         | FROM | UPTO |  |
| 1          | 17321030.4 | 1     | Cover Assy, Inlet              |      |      |  |
| 2          | 17321032.1 | 1     | Gasket, Inlet Cover            |      |      |  |
| 3A         | 52101260   | 5     | Bolt DIN 931 M8-35 8.8         |      |      |  |
| 3B         | 53033008   | 7     | Washer GROWER DIN 127-8        |      |      |  |
| 4          | 17321034.4 | 1     | Pipe Inlet Gasket              |      |      |  |
| 5          | 52105258   | 2     | Bolt DIN 7991 M8-25 10.9       |      |      |  |
| 6          | 17310021   | 1     | Inlet Flange                   |      |      |  |
| 7          | 51030006   | 2     | Washer DIN 125-6               |      |      |  |
| 8          | 52102257   | 2     | Bolt DIN 933 M8-20 8.8         |      |      |  |
| 9          | 17221034   | 1     | Gasket, Inlet Pipe             |      |      |  |
| 10         | 17210020   | 1     | Bend                           |      |      |  |
| 11         | 53038008   | 2     | Washer DIN 6798-A 8            |      |      |  |
| 12         | 52120008   | 2     | Nut DIN 934 M8 8.8             |      |      |  |
| 13         | 13810074   | 1     | Air Filter                     |      |      |  |
| 14         | 52120006   | 1     | Nut DIN 934 M6 8.8             |      |      |  |
| 15         | 13819001   | 1     | Half Flange Morse Cable        |      |      |  |
| 16         | 52102157   | 2     | Bolt DIN 933 M6-20 8.8         |      |      |  |
| 17         | 52102108   | 2     | Bolt DIN 933 M5-20 8.8 CINCADO |      |      |  |
| 18         | 17319003   | 1     | Bracket, Engine Control        |      |      |  |
| 19         | 15119015   | 1     | CABLE Holder Ball              |      |      |  |
| 20         | 53033006   | 1     | Washer GROWER DIN 127-6        |      |      |  |
| 21         | 14419023   | 1     | Ball JOINT                     |      |      |  |





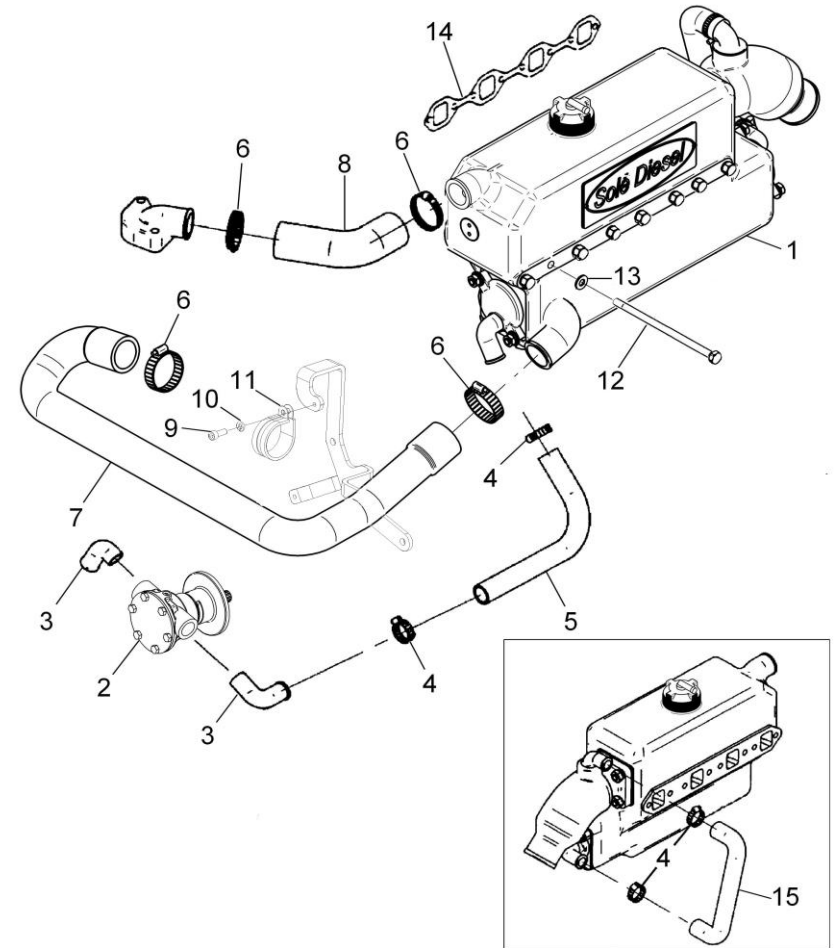


| D_MID2_3_1 |          | Water Pump |                         |      |      |  |
|------------|----------|------------|-------------------------|------|------|--|
| FIG.       | REF.     | QTY        | DESCR.                  | FROM | UPTO |  |
| 1          | 17221020 | 1          | Fresh Water Pump        |      |      |  |
| 1AA        | 52102159 | 2          | Bolt DIN 933 M6-30 8.8  |      |      |  |
| 1AB        | 53033006 | 6          | Washer GROWER DIN 127-6 |      |      |  |
| 1B         | 17321005 | 1          | Joint Assy, Water       |      |      |  |
| 1BA        | 17321007 | 1          | Plug, Taper             |      |      |  |
| 1C         | 13221041 | 1          | Gasket Water Pump       |      |      |  |
| 1D         | 13221042 | 1          | Plate Water Pump        |      |      |  |
| 2          | 13221022 | 1          | Gasket Water Pump       |      |      |  |
| 3A         | 52101262 | 3          | Bolt DIN 931 M8-45 8.8  |      |      |  |
| 3B         | 53033008 | 7          | Washer GROWER DIN 127-8 |      |      |  |
| 4A         | 52101265 | 1          | Bolt DIN 931 M8-60 8.8  |      |      |  |
| 5          | 17221021 | 1          | Pulley,Water Pump       |      |      |  |
| 6          | 17221037 | 1          | Assy Thermostat         |      |      |  |
| 7          | 17221033 | 2          | Gasket, Thermostat Case |      |      |  |
| 8A         | 13224062 | 3          | Bolt                    |      |      |  |
| 9          | 17221025 | 1          | Hose Assy               |      |      |  |
| 9A         | 17824029 | 2          | Clip,Hose               |      |      |  |
| 9B         | 17221024 | 1          | Elbow                   |      |      |  |
| 10A        | 52102155 | 4          | Bolt DIN 933 M6-12 8.8  |      |      |  |
| 11         | 17221031 | 1          | Gasket,Thermostat       |      |      |  |
| 12         | 17221040 | 1          | Thermostat              |      |      |  |
| 13         | 17211020 | 1          | Fitting, Water Outlet   |      |      |  |
| 14A        | 52101260 | 2          | Bolt DIN 931 M8-35 8.8  |      |      |  |
| 14B        | 53038008 | 2          | Washer DIN 6798-A 8     |      |      |  |
| 15         | 17121013 | 1          | Gasket                  |      |      |  |
| 16         | 17121016 | 1          | Plug, drain             |      |      |  |
| 17         | 56000073 | 2          | Copper Washer 16-23-1,5 |      |      |  |
| 18         | 60900980 | 1          | Temperature Sensor      |      |      |  |
| 19         | 60900070 | 1          | Thermo-Switch 97°C      |      |      |  |



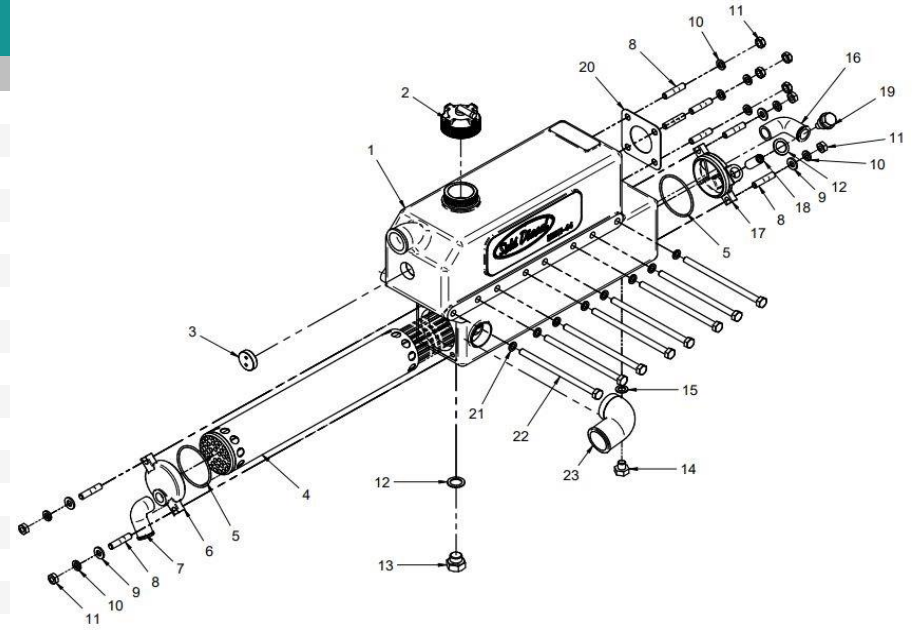


| D_MID2_3_2 |           | Cooler Pipes |  |      |      |  |
|------------|-----------|--------------|--|------|------|--|
| FIG.       | REF.      | QTY          | DESCR.                                 | FROM | UPTO |  |
| 1          | 17311002R | 1            | Water Cooler Assy MINI-44 (Spare Part) |      |      |  |
| 2          | 37611000  | 1            | Splined Pump 1/2" MINI-11/17/29/33/44  |      |      |  |
| 3          | 13811027  | 2            | Elbow 1/2"                             |      |      |  |
| 4          | 54081016  | 4            | Clamp DIN 3017 16-27/9 W4              |      |      |  |
| 5          | 17011012  | 1            | Elbow                                  |      |      |  |
| 6          | 54082032  | 4            | Clamp DIN 3017 32-50/12 W4             |      |      |  |
| 7          | 17211006  | 1            | Hose                                   |      |      |  |
| 8          | 17211021  | 1            | Elbow                                  |      |      |  |
| 9          | 52103156  | 1            | Bolt DIN 912 M6-16 8.8                 |      |      |  |
| 10         | 51030006  | 1            | Washer DIN 125-6                       |      |      |  |
| 11         | 51071373  | 1            | Clamp 31-40/15 W1                      |      |      |  |
| 12         | 54101323  | 8            | Bolt DIN 931 M8-140 Inox.              |      |      |  |
| 13         | 56000057  | 8            | Washer 8-13-1,5                        |      |      |  |
| 14         | 17321035  | 1            | Gasket                                 |      |      |  |
| 15         | 17211034  | 1            | Rubber WET Exhaust Inlet BEND          |      |      |  |





| D_17311002R |          | Water Cooler Assy MINI-44 v6 from to 27/11/2020 |                               |      |      |
|-------------|----------|---|-------------------------------|------|------|
| FIG.        | REF.     | QTY   | DESCR.                        | FROM | UPTO |
| 1           | 17311003 | 1   | Body, Water Cooler [NP]       |      |      |
| 2           | 13811010 | 1   | Cap                           |      |      |
| 3           | 12113092 | 1   | Plug                          |      |      |
| 4           | 17011004 | 1   | Tubular Bundle                |      |      |
| 5           | 13811007 | 2   | O-Ring D. 57X2,5              |      |      |
| 6           | 13811002 | 1   | Water Cooler Cover            |      |      |
| 7           | 13211027 | 1   | Water Inlet Bend              |      |      |
| 8           | 13311006 | 8   | Stud,cover                    |      |      |
| 9           | 51030008 | 4   | Washer DIN 125-8              |      |      |
| 10          | 53033008 | 8   | Washer GROWER DIN 127-8       |      |      |
| 11          | 54120008 | 8   | Nut DIN 934 M8                |      |      |
| 12          | 56000073 | 2   | Copper Washer 16-23-1,5       |      |      |
| 13          | 12111076 | 1   | Plug                          |      |      |
| 14          | 54102306 | 1   | Bolt DIN 933 M10-16 INOX.     |      |      |
| 15          | 56000061 | 1   | Washer 10-16-1,5              |      |      |
| 16          | 13211035 | 1   | Exhaust Manifold Outlet Bend  |      |      |
| 17          | 17211042 | 1   | Water Cooler Cover            |      |      |
| 18          | 13811043 | 1   | Engine Anode 29.5 mm M.8      |      |      |
| 19          | 18011009 | 1   | Anode Plug                    |      |      |
| 20          | 15113043 | 1   | Exhaust Elbow Gasket          |      |      |
| 21          | 56000057 | 8   | Washer 8-13-1,5               |      |      |
| 22          | 54101323 | 8   | Bolt DIN 931 M8-140 Inox.     |      |      |
| 23          | 17111011 | 1   | Elbow 1 1/8"                  |      |      |
| NS          | 17311040 | 1   | MINI-44 Cooling Adhesive [NS] |      |      |

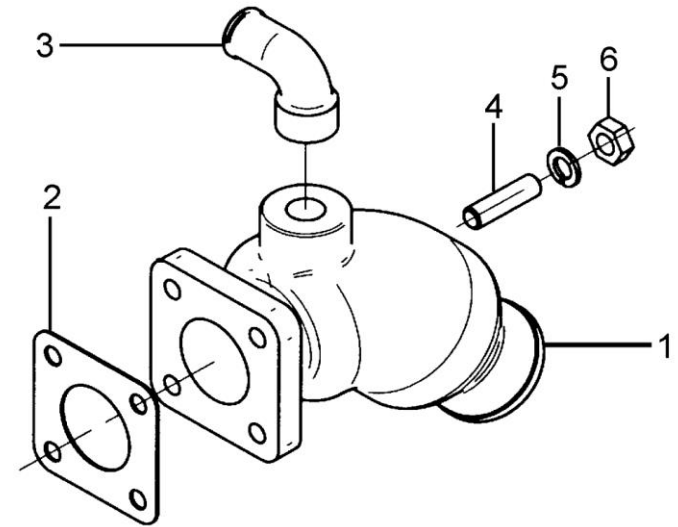


[NP] Not provided

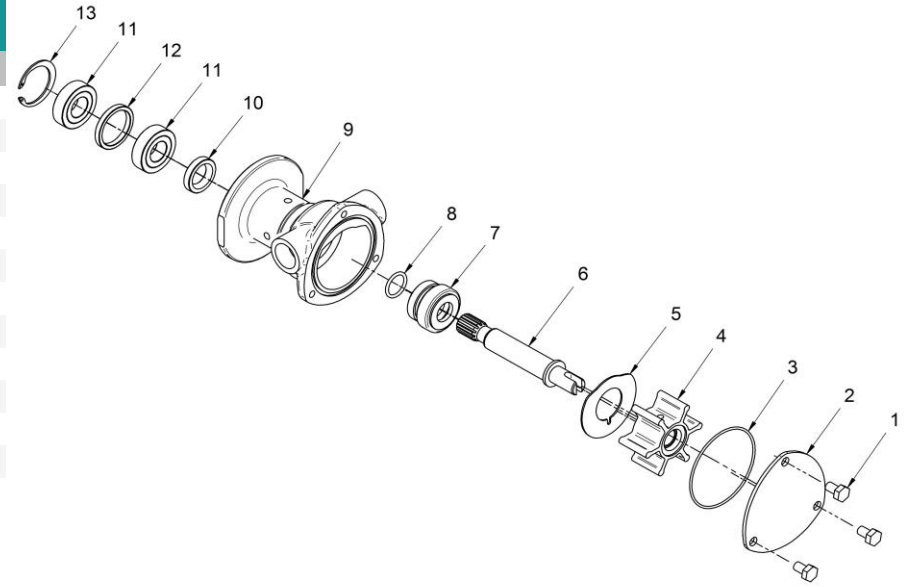
[NS] Not shown



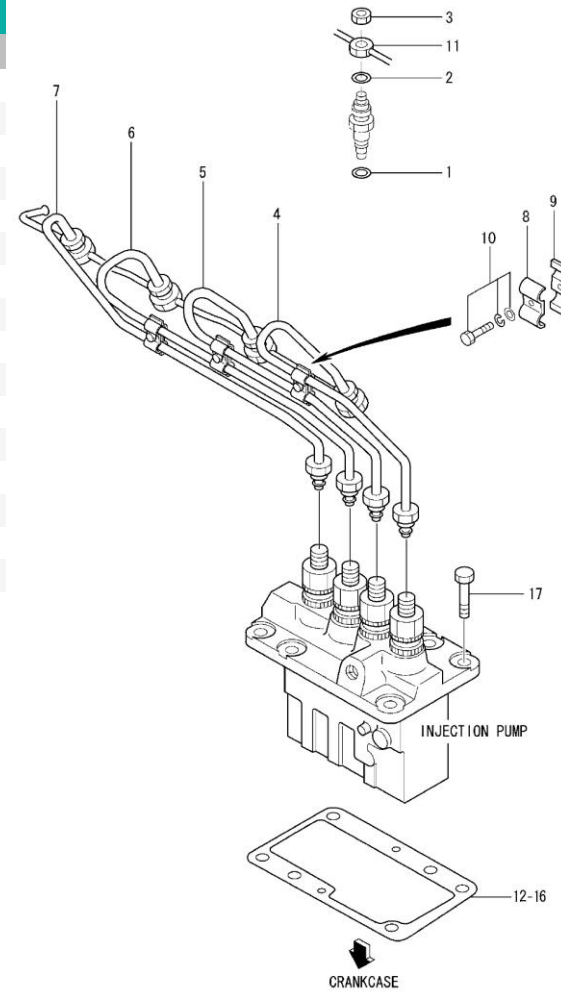
| D_MIC1_3_5 |          | Wet Exhaust |                         |      |      |  |
|------------|----------|-------------|-------------------------|------|------|--|
| FIG.       | REF.     | QTY         | DESCR.                  | FROM | UPTO |  |
| 1          | 17013015 | 1           | Elbow,wet exhaust       |      |      |  |
| 2          | 15113043 | 1           | Exhaust Elbow Gasket    |      |      |  |
| 3          | 17211028 | 1           | Water Bend              |      |      |  |
| 4          | 13311006 | 4           | Stud,cover              |      |      |  |
| 5          | 53033008 | 4           | Washer GROWER DIN 127-8 |      |      |  |
| 6          | 52120008 | 4           | Nut DIN 934 M8 8.8      |      |      |  |



| 37611000 |          | Splined Pump 1/2" MINI-11/17/29/33/44 |                         |      |            |
|----------|----------|---------------------------------------|-------------------------|------|------------|
| FIG.     | REF.     | QTY                                   | DESCR.                  | FROM | UPTO       |
| 1        | 54102154 | 3                                     | Bolt DIN 933 M6-10 INOX |      |            |
| 2        | 37611002 | 1                                     | Cover Pump              |      |            |
| 3        | 37611003 | 1                                     | O-Ring D. 57x1,5        |      | 01/06/2022 |
| 4        | 31211008 | 1                                     | 1/2" Impeller           |      |            |
| 5        | 37611026 | 1                                     | Plate, Friction         |      |            |
| 6        | 33811010 | 1                                     | Shaft, Water Pump       |      |            |
| 7        | 33411019 | 1                                     | Seal                    |      |            |
| 8        | 33311013 | 1                                     | O-Ring D. 15X2          |      |            |
| 9        | 37611001 | 1                                     | Body, Water Pump 1/2"   |      |            |
| 10       | 33411020 | 1                                     | Seal                    |      |            |
| 11       | 33411014 | 2                                     | Ball Bearing 6002-C3    |      |            |
| 12       | 33811015 | 1                                     | Spacer                  |      |            |
| 13       | 53041032 | 1                                     | CIRClip DIN 472 I-32    |      |            |

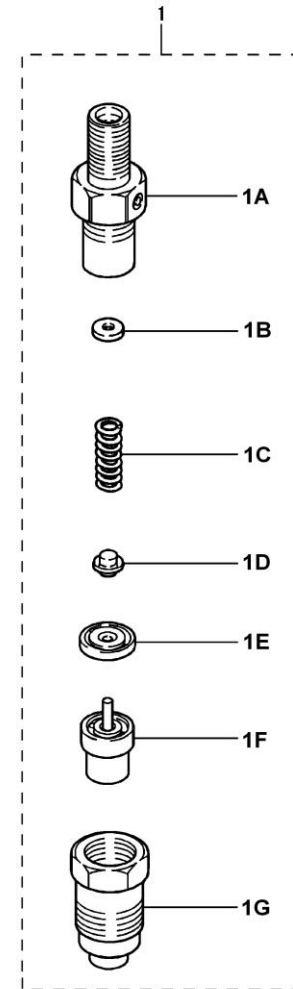


| D_MID1_4_1 Fuel Pipe |            |     |                              |      |      |  |
|----------------------|------------|-----|------------------------------|------|------|--|
| FIG.                 | REF.       | QTY | DESCR.                       | FROM | UPTO |  |
| 1                    | 13824013   | 4   | Injector Washer              |      |      |  |
| 2                    | 13824025   | 4   | Injector Gasket              |      |      |  |
| 3                    | 13824024   | 4   | Nut                          |      |      |  |
| 4                    | 17224015.4 | 1   | Pipe Injection N.1           |      |      |  |
| 5                    | 17224016.4 | 1   | Pipe Injection N.2           |      |      |  |
| 6                    | 17224019.4 | 1   | Pipe Injection N.3           |      |      |  |
| 7                    | 17324020.1 | 1   | Pipe Injection N.4           |      |      |  |
| 8                    | 13124018   | 3   | Clamp (A)                    |      |      |  |
| 9                    | 13124017   | 3   | Clamp (B)                    |      |      |  |
| 10                   | 13124019   | 3   | Bolt                         |      |      |  |
| 11                   | 17324002   | 1   | Assy,Fuel Return             |      |      |  |
| 12                   | 13224008   | 0   | Shim Adjusting T=0,7mm [VAR] |      |      |  |
| 13                   | 13224009   | 0   | Shim Adjusting T=0,8mm [VAR] |      |      |  |
| 14                   | 13224010   | 0   | Shim Adjusting T=0,9mm [VAR] |      |      |  |
| 15                   | 13224011   | 0   | Shim Adjusting T=1,0mm [VAR] |      |      |  |
| 16                   | 13224003   | 0   | Shim Adjusting T=0,2mm [VAR] |      |      |  |
| 17                   | 52102257   | 6   | Bolt DIN 933 M8-20 8.8       |      |      |  |



[VAR] Variable according to repair

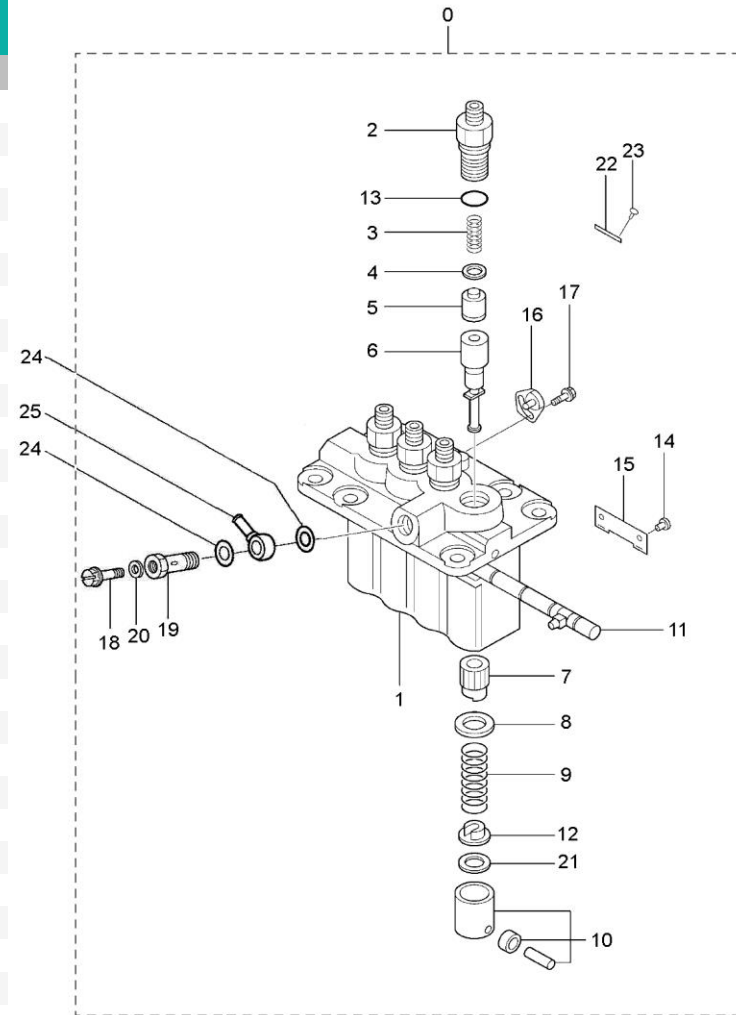
| D_MID1_4_2 |          | Injection Nozzle |                        |      |      |  |
|------------|----------|------------------|------------------------|------|------|--|
| FIG.       | REF.     | QTY              | DESCR.                 | FROM | UPTO |  |
| 1          | 13826001 | 4                | Nozzle & Holder A      |      |      |  |
| 1A         | 13826002 | 4                | Body Assy              |      |      |  |
| 1BA        | 13826010 | 0                | Washer 1,25 [VAR]      |      |      |  |
| 1BB        | 13826011 | 0                | Washer 1,30 [VAR]      |      |      |  |
| 1BC        | 13826012 | 0                | Washer 1,35 [VAR]      |      |      |  |
| 1BD        | 13826013 | 0                | Washer 1,40 [VAR]      |      |      |  |
| 1BE        | 13826014 | 0                | Washer 1,45 [NP] [VAR] |      |      |  |
| 1BF        | 13826015 | 0                | Washer 1,50 [VAR]      |      |      |  |
| 1BG        | 13826016 | 0                | Washer 1,55 [VAR]      |      |      |  |
| 1BH        | 13826017 | 0                | Washer 1,60 [VAR]      |      |      |  |
| 1BI        | 13826019 | 0                | Washer 1,65 [VAR]      |      |      |  |
| 1BJ        | 13826020 | 0                | Washer 1,70 [VAR]      |      |      |  |
| 1C         | 17226004 | 4                | Spring, Pressure [NP]  |      |      |  |
| 1D         | 13826003 | 4                | Pin Pressure           |      |      |  |
| 1E         | 13826007 | 4                | PIECE DISTANCE         |      |      |  |
| 1F         | 13826018 | 4                | Nozzle Assy            |      |      |  |
| 1G         | 17226006 | 4                | Nut, Nozzle RETAINING  |      |      |  |



[NP] Not provided

[VAR] Variable according to repair

| D_MID1_4_3 |            | Fuel Injection Pump |                             |      |      |  |
|------------|------------|---------------------|-----------------------------|------|------|--|
| FIG.       | REF.       | QTY                 | DESCR.                      | FROM | UPTO |  |
| 0          | 17325001.1 | 1                   | Pump Assy,Fuel Injection    |      |      |  |
| 1          | 17325005G  | 1                   | Housing SUB Assy            |      |      |  |
| 2          | 17325004.1 | 4                   | Holder,DELIVERY             |      |      |  |
| 3          | 17325002.1 | 4                   | Spring,DELIVERY             |      |      |  |
| 4          | 13125007   | 4                   | Gasket DELIVERY V           |      |      |  |
| 5          | 17225008G  | 4                   | Valve SUB-Assy (Generator)  |      |      |  |
| 6          | 17325009.1 | 4                   | Element SUB Assy            |      |      |  |
| 7          | 13125010   | 4                   | SLEEVE                      |      |      |  |
| 8          | 13125011   | 4                   | Seat Spring Upper           |      |      |  |
| 9          | 13125012   | 4                   | Spring Plunger              |      |      |  |
| 10         | 13125021   | 4                   | Tappet SUB Assy             |      |      |  |
| 11         | 17025006   | 1                   | RACK Control                |      |      |  |
| 12         | 13125013   | 3                   | Seat Spring LOWER           |      |      |  |
| 13         | 13125033   | 3                   | O-Ring D. 15X2,5            |      |      |  |
| 14         | 13125022   | 3                   | Pin Tappet Guide            |      |      |  |
| 15         | 13125023   | 1                   | Plate                       |      |      |  |
| 16         | 13125030   | 3                   | Plate Assy Pressure         |      |      |  |
| 17         | 17225028   | 3                   | Bolt, With Washer           |      |      |  |
| 18         | 17225026.3 | 1                   | Screw Air BLEEDER           |      |      |  |
| 19         | 17325027.1 | 1                   | Screw,HOLLOW                |      |      |  |
| 20         | 17225025.3 | 1                   | Washer DRAIN Screw          |      |      |  |
| 21A        | 13125014   | 0                   | Shim T=0,60 [VAR]           |      |      |  |
| 21B        | 13125015   | 0                   | Shim T=0,2 [VAR]            |      |      |  |
| 21C        | 13125016   | 0                   | Shim Adjusting T=0,3 [VAR]  |      |      |  |
| 21D        | 13125017   | 0                   | Shim T=0,4 [VAR]            |      |      |  |
| 21E        | 13125018   | 0                   | Shim T=0,5 [VAR]            |      |      |  |
| 21F        | 13125019   | 0                   | Shim Adjusting T=0,25 [VAR] |      |      |  |
| 21G        | 13125020   | 0                   | Shim Adjusting T=0,35 [VAR] |      |      |  |
| 22         | (*)        | 1                   | Not available [NP]          |      |      |  |
| 23         | 13125003   | 1                   | RIVET [NP]                  |      |      |  |
| 24         | 13224001   | 2                   | Washer                      |      |      |  |
| 25         | 17324017.4 | 1                   | COLOR, Union                |      |      |  |



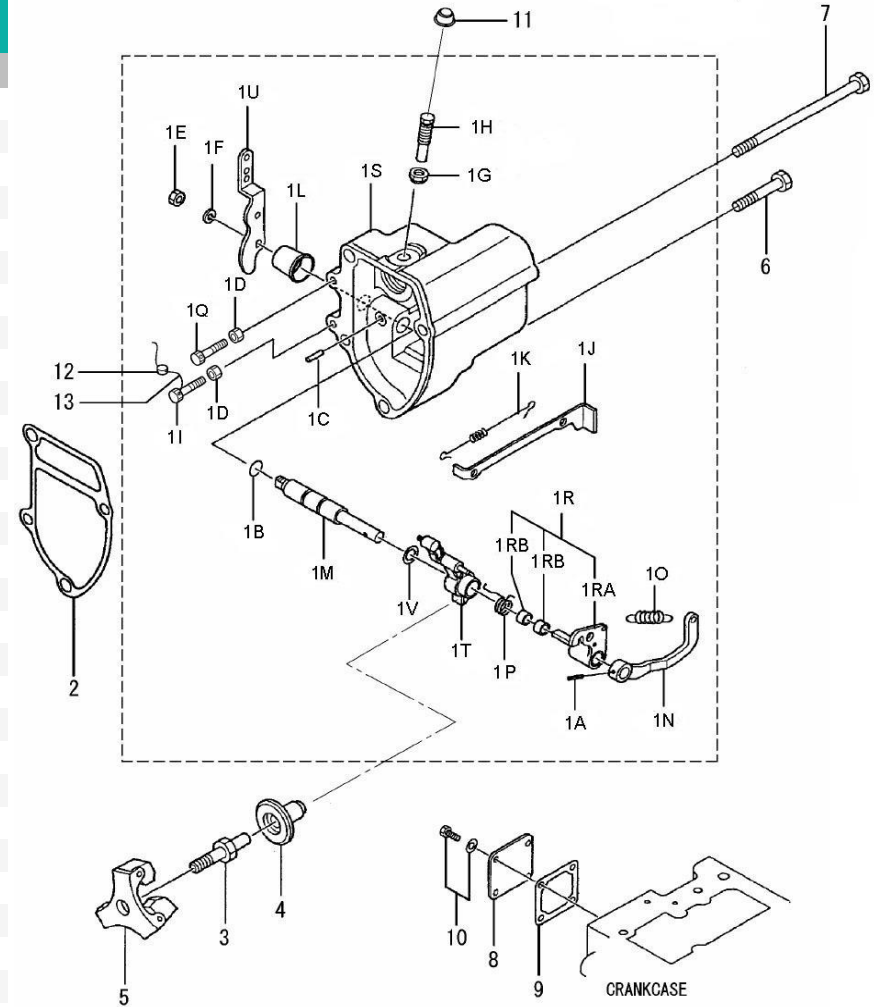
[NP] Not provided

[VAR] Variable according to repair





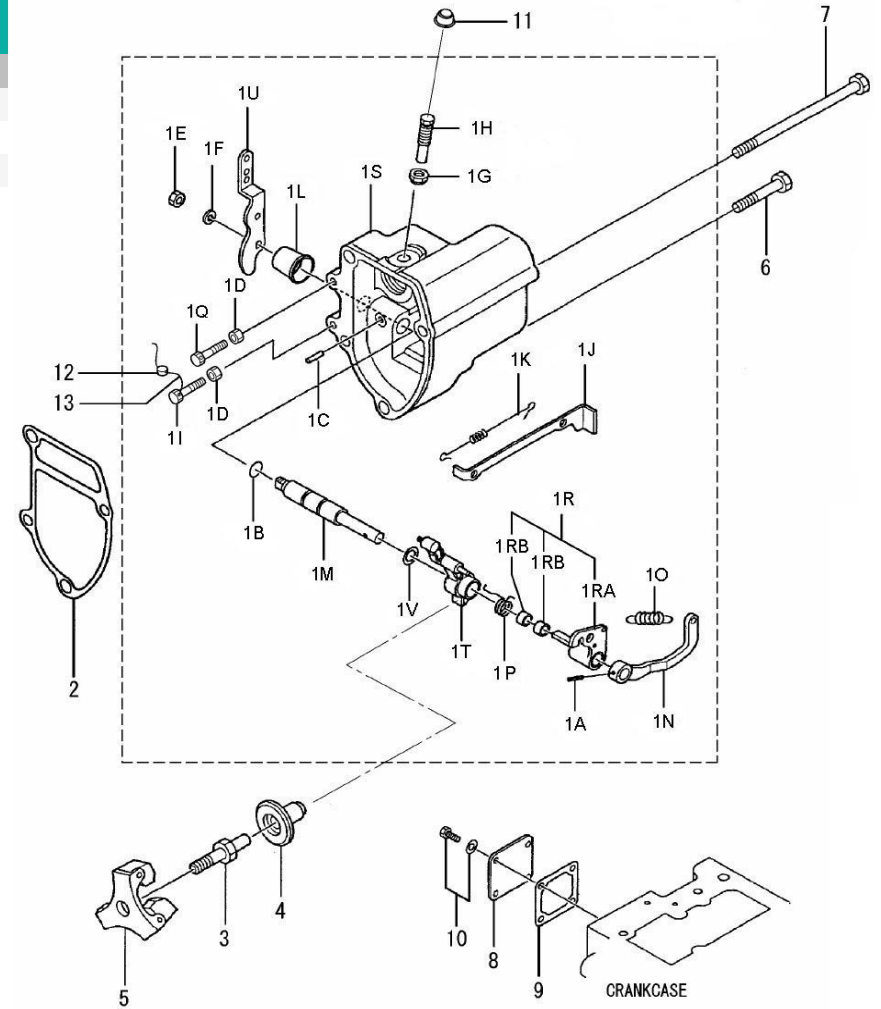
| D_MID1_4_4 |            | Governor Parts |                         |      |      |
|------------|------------|----------------|-------------------------|------|------|
| FIG.       | REF.       | QTY            | DESCR.                  | FROM | UPTO |
| 1          | 17323000.4 | 1              | Case Assy, Governor     |      |      |
| 1A         | 17323009.4 | 1              | Pin, Spring             |      |      |
| 1B         | 17323046.4 | 1              | O-Ring                  |      |      |
| 1C         | 17323010.4 | 2              | Pin GROOVED             |      |      |
| 1D         | 17323032.4 | 2              | Nut                     |      |      |
| 1E         | 17223030   | 1              | Nut                     |      |      |
| 1F         | 53033008   | 1              | Washer GROWER DIN 127-8 |      |      |
| 1G         | 17223035   | 1              | Nut                     |      |      |
| 1H         | 13823034   | 1              | RACK Set Screw (new)    |      |      |
| 1I         | 17323017.4 | 1              | Bolt                    |      |      |
| 1J         | 17323048.4 | 2              | Lever TIE-ROD           |      |      |
| 1K         | 17323049   | 1              | Spring TIE-ROD          |      |      |
| 1L         | 17323036.4 | 1              | Cover, Governor         |      |      |
| 1M         | 17223006   | 1              | Shaft, GOverNOR         |      |      |
| 1N         | 17323003.4 | 1              | Lever, Governor         |      |      |
| 1O         | 17223044   | 1              | Spring, GOverNOR        |      |      |
| 1P         | 17223028   | 1              | Spring                  |      |      |
| 1Q         | 17323025.4 | 1              | Bolt LOW IDLE Set       |      |      |
| 1R         | (*)        | 1              | Not available [NP]      |      |      |
| 1RA        | 17323029.4 | 1              | Lever Assy              |      |      |
| 1RB        | 13220034   | 2              | Roller Bearings         |      |      |
| 1S         | 17223019.4 | 1              | Case, Governor          |      |      |
| 1T         | 17223007   | 1              | Lever, Governor         |      |      |
| 1U         | 17223008.4 | 1              | Lever, SPEED            |      |      |
| 1V         | 17323047.4 | 1              | Shim, Governor Shaft    |      |      |
| 2          | 17223033G  | 1              | Gasket, GOverNOR Case   |      |      |
| 3          | 17223050   | 1              | Shaft, SLIDING SLEEVE   |      |      |
| 4          | 17223031   | 1              | SLEEVE, SLIDING         |      |      |
| 5          | 17223001   | 1              | WEIGHT Assy, GOverNOR   |      |      |
| 6          | 17220034.4 | 3              | Bolt                    |      |      |
| 7          | 17223052.4 | 1              | Bolt, Governor Case     |      |      |
| 8          | 17223043.4 | 1              | Cover TIE-ROD           |      |      |
| 9          | 13223014   | 1              | Gasket Cover            |      |      |
| 10A        | 52102256   | 4              | Bolt DIN 933 M8-16 8.8  |      |      |
| 10B        | 53033006   | 4              | Washer GROWER DIN 127-6 |      |      |



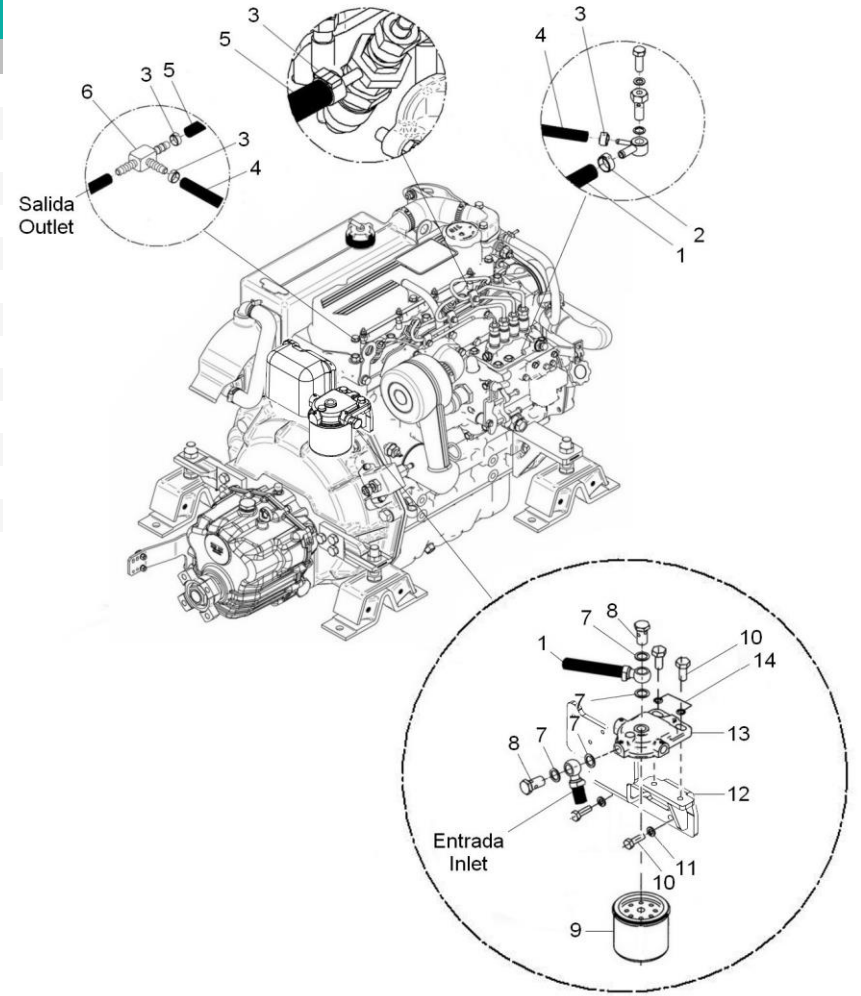
[NP] Not provided



| D_MID1_4_4 |            | Governor Parts |                   |      |      |  |
|------------|------------|----------------|-------------------|------|------|--|
| FIG.       | REF.       | QTY            | DESCR.            | FROM | UPTO |  |
| 11         | 13823042   | 1              | Cap TORQUE Set SE |      |      |  |
| 12         | 17623020.4 | 1              | Metal,Fuel        |      |      |  |
| 13         | 17323019.4 | 1              | Wire              |      |      |  |

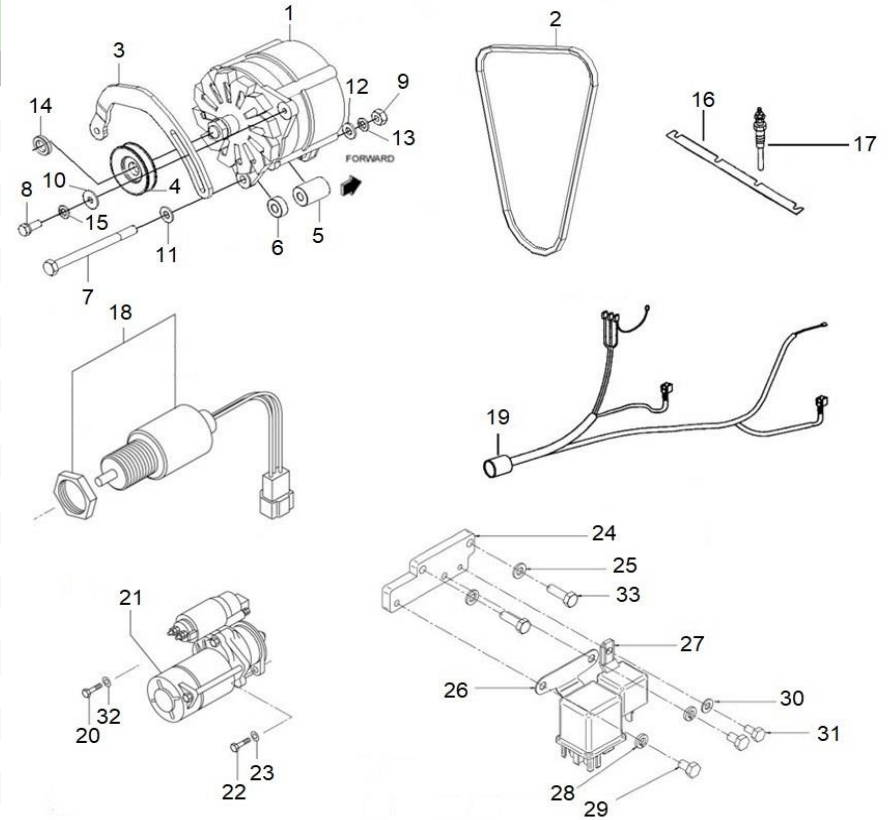


| D_MID2_4_5 |            | Fuel Supply Parts |  |      |      |  |
|------------|------------|-------------------|--|------|------|--|
| FIG.       | REF.       | QTY               | DESCR.                                   | FROM | UPTO |  |
| 1          | 17314017.4 | 1                 | Pipe, Filter TO INJ. Pump                |      |      |  |
| 2          | 51086016   | 1                 | ONE EAR Clamp With INTERIOR Ring 14-16,3 |      |      |  |
| 3          | 51086011   | 4                 | ONE EAR Clamp With Interior Ring 9-10,5  |      |      |  |
| 4          | 17314027   | 1                 | 0,48 M. Hose                             |      |      |  |
| 5          | 17614026   | 1                 | 0,04 M. Hose                             |      |      |  |
| 6          | 17614028   | 1                 | Bypass "T"                               |      |      |  |
| 7          | 57000369   | 4                 | Washer 14,2-20-1,5                       |      |      |  |
| 8          | 12814051   | 2                 | Screw,eye                                |      |      |  |
| 9          | 13114022   | 1                 | Fuel Filter Element from MINI 10 to 55   |      |      |  |
| 10         | 52102257   | 4                 | Bolt DIN 933 M8-20 8.8                   |      |      |  |
| 11         | 53033008   | 2                 | Washer GROWER DIN 127-8                  |      |      |  |
| 12         | 17317004   | 1                 | Relay-Fuel Filter Bracket                |      |      |  |
| 13         | 13114020   | 1                 | Cover,filter                             |      |      |  |
| 14         | 51031008   | 2                 | Washer DIN 9021 8                        |      |      |  |





| D_MI44GST3ST_05_1 Electrical System 12V |            |     |                                     |      |      |  |
|---|------------|-----|-------------------------------------|------|------|--|
| FIG.                                    | REF.       | QTY | DESCR.                              | FROM | UPTO |  |
| 1                                       | 17217057   | 1   | Alt. 14V/120A                       |      |      |  |
| 2                                       | 17217058   | 1   | Belt Type ZX 37,5 975               |      |      |  |
| 3                                       | 17217056   | 1   | Plate                               |      |      |  |
| 4                                       | 13817019   | 1   | Pulley Alternator                   |      |      |  |
| 5                                       | 17217020   | 1   | Spacer 10,5X25X36                   |      |      |  |
| 6                                       | 19017018   | 1   | Spacer 10,5X24X10                   |      |      |  |
| 7                                       | 52101326   | 1   | Bolt DIN 931 M10-130 8.8            |      |      |  |
| 8                                       | 52102257   | 1   | Bolt DIN 933 M8-20 8.8              |      |      |  |
| 9                                       | 52120010   | 1   | Nut DIN 934 M10 8.8                 |      |      |  |
| 10                                      | 51031008   | 1   | Washer DIN 9021 8                   |      |      |  |
| 11                                      | 53038010   | 1   | Washer DIN 6798-A 10                |      |      |  |
| 12                                      | 51030010   | 1   | Washer DIN 125-10                   |      |      |  |
| 13                                      | 53033010   | 1   | Washer GROWER DIN 127-10            |      |      |  |
| 14                                      | 13817017   | 1   | Spacer 17X28X5,5                    |      |      |  |
| 15                                      | 53033008   | 1   | Washer GROWER DIN 127-8             |      |      |  |
| 16                                      | 17327018.4 | 1   | Plate, Connection                   |      |      |  |
| 17                                      | 17127017   | 4   | Plug, glow                          |      |      |  |
| 18                                      | 17224025G  | 1   | SOLENOID & Nut Set (Generator)      |      |      |  |
| 19                                      | 60972502   | 1   | Genset Electrical Wiring MINI-33/44 |      |      |  |
| 20                                      | 52120008   | 1   | Nut DIN 934 M8 8.8                  |      |      |  |
| 21                                      | 17227001.2 | 1   | Starter Assy 12 V                   |      |      |  |
| 22                                      | 52202308   | 2   | Screw DIN 961 8.8 M-10/1,25X25      |      |      |  |
| 23                                      | 53033012   | 2   | Washer Grower DIN 127-12            |      |      |  |
| 24                                      | 17217001G  | 1   | Support, Relay                      |      |      |  |
| 25                                      | 53033006   | 2   | Washer GROWER DIN 127-6             |      |      |  |
| 26                                      | 13827005   | 1   | Glow Relay                          |      |      |  |
| 27                                      | 18217005   | 1   | Relay 12V 12-100                    |      |      |  |
| 28                                      | 51030006   | 2   | Washer DIN 125-6                    |      |      |  |
| 29                                      | 52102154   | 2   | Bolt DIN 933 M6-10 8.8              |      |      |  |
| 30                                      | 51030005   | 1   | Washer DIN 125-5                    |      |      |  |
| 31                                      | 52102104   | 1   | Bolt DIN 933 M5-10 8.8              |      |      |  |
| 32                                      | 51030008   | 1   | Washer DIN 125-8                    |      |      |  |
| 33                                      | 52102157   | 2   | Bolt DIN 933 M6-20 8.8              |      |      |  |

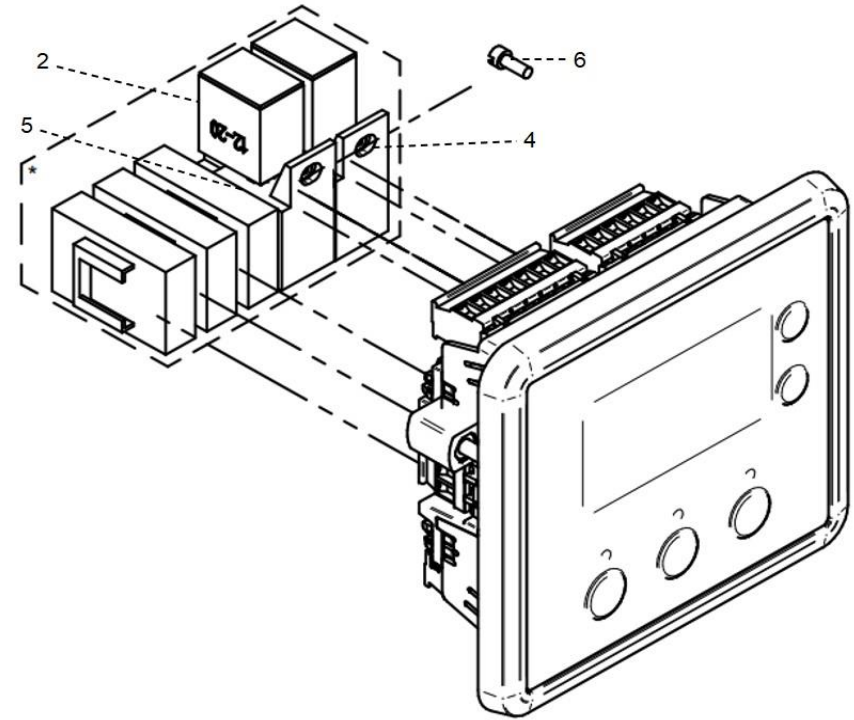




| D_MI44GST3ST_05_5 Panels for Genset |             |     |                                  |      |      |  |
|-------------------------------------|-------------|-----|----------------------------------|------|------|--|
| FIG.                                | REF.        | QTY | DESCR.                           | FROM | UPTO |  |
| 1A                                  | 61973230.3S | 1   | Panel SCO 5 G-25M-3 12V 230V     |      |      |  |
| 1B                                  | 61973400.3S | 1   | Panel SCO 5 G-25T-3 12V 400/230V |      |      |  |



| D_PANELGRUP02_01 Panel Components for Genset |          |     |  |      |            |  |
|--|----------|-----|--|------|------------|--|
| FIG.   | REF.     | QTY | DESCR.   | FROM | UPTO       |  |
| 2A   | 60900091 | 4   | MICRO Relay 12V 12-20                                      |      |            |  |
| <i>Figure A for 12V System</i>               |          |     |  |      |            |  |
| 2B   | 60900092 | 4   | MICRO Relay 24V 24-10                                      |      |            |  |
| <i>Figure b for 24V System</i>               |          |     |  |      |            |  |
| 4  | 51030005 | 2   | Washer DIN 125-5   |      |            |  |
| 5  | 61900001 | 1   | Rail Guide For Modular Micro Relay Holder - Fusible Holder |      | 29/03/2023 |  |
| 5  | 61900002 | 1   | Rail Guide For Modular Micro Relay Holder - Fusible F      |      | 29/03/2023 |  |
| 6  | 51918054 | 2   | Bolt DIN 7981C 3,5-9,5                                     |      |            |  |
| NS   | 60972112 | 1   | Wiring BRIDGE MONOF. Panel COMAP [NS]                      |      |            |  |
| NS   | 60972123 | 1   | Electrical System Back Panel SCO 5 [NS]                    |      |            |  |
| NS   | 61972124 | 1   | SCO 5 Panel Screw Bracket [NS]                             |      |            |  |



[NS] Not shown

| D_W1C1_1_1 |              | Genset Extension |  |      |      |  |
|------------|--------------|------------------|--|------|------|--|
| FIG.       | REF.         | QTY              | DESCR.   | FROM | UPTO |  |
| 1A         | 60938210I    | 1                | Genset Wiring Ext. 3 M. CPC                    |      |      |  |
| 1B         | 60985210I    | 1                | Genset Wiring Ext. 4 M. CPC                    |      |      |  |
| 1C         | 60938221     | 1                | Genset Wiring Ext. 6 M. CPC                    |      |      |  |
| 1D         | 60938212     | 1                | Genset Wiring Ext. 8 M. CPC                    |      |      |  |
| 1E         | 60985210.12I | 1                | Genset Wiring Ext. 12 M. CPC                   |      |      |  |
| 1F         | 60985210.18I | 1                | Genset Wiring Ext. 18 M. CPC                   |      |      |  |
| 1G         | 60985210.24I | 1                | Genset Wiring Ext. 24 M. CPC                   |      |      |  |
| 1H         | 60985210.30I | 1                | Genset Wiring Ext. 30 M. CPC                   |      |      |  |
| 1I         | 60974552     | 1                | 3-way Wiring Wxtension for Auxiliary Kits 4 m  |      |      |  |
| 1J         | 60900165     | 1                | 3-way Wiring Extension for Auxiliary Kits 6 m  |      |      |  |
| 1K         | 60900166     | 1                | 3-way Wiring Extension for Auxiliary Kits 12 m |      |      |  |
| 1L         | 60900167     | 1                | 3-way Wiring Extension for Auxiliary Kits 24 m |      |      |  |
| 1M         | 60972104     | 1                | Double Panel SCO 12 M. Harness                 |      |      |  |
| 1N         | 60972105     | 1                | Double Panel SCO 24 M. Harness                 |      |      |  |
| 1O         | 60972110     | 1                | Double Panel SCO 36 M. Harness                 |      |      |  |
| 1P         | 60972145     | 1                | Double Panel SCO 45 M. Harness                 |      |      |  |





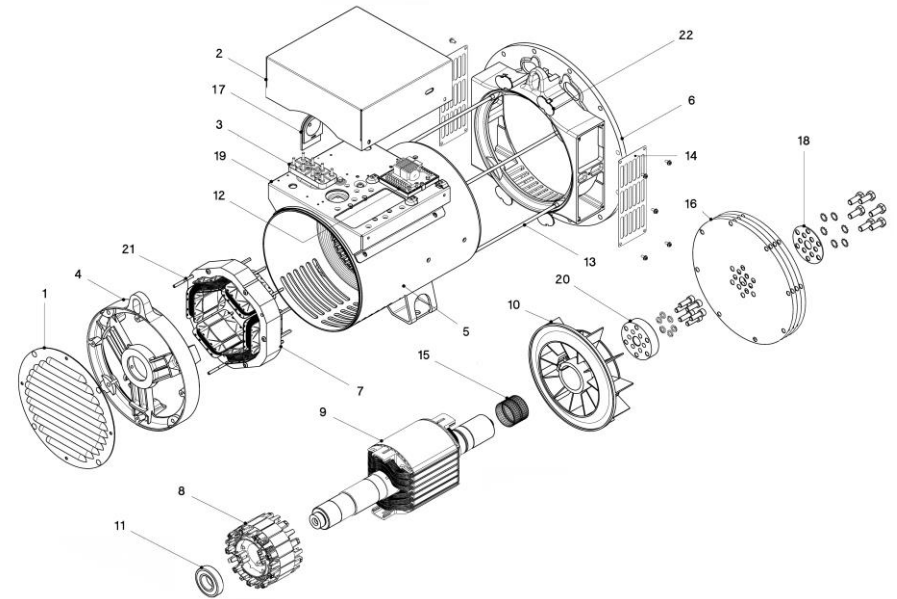
| D_MI44GST3ST_06_1 Alternator G-25M-3 Y G-25T-3 |           |     |  |      |      |  |
|--|-----------|-----|--|------|------|--|
| FIG.   | REF.      | QTY | DESCR.                                   | FROM | UPTO |  |
| 1  | 60513126R | 1   | Al.MECC.ALTE I 25KVA 3000RPM 230V (R)    |      |      |  |
| 2  | 60513329R | 1   | Alt.MECC.ALTE III 27KVA 3000 400/230 (R) |      |      |  |







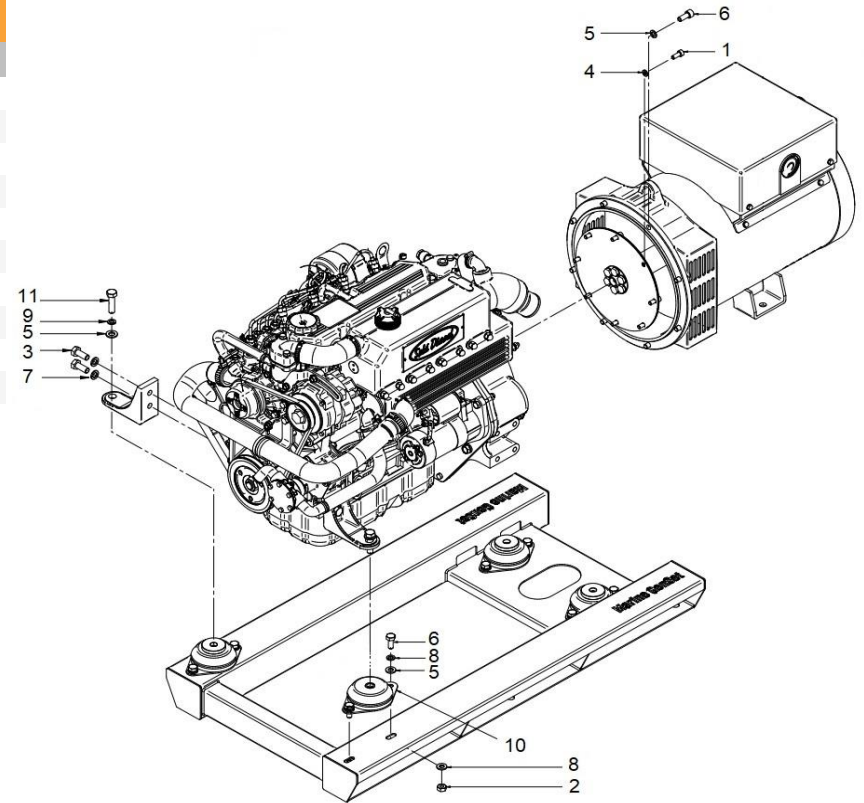
| D_60513329 Alternator Spare Parts G-25M-3 & G-25T-3 |               |     |   |      |      |  |
|---|---------------|-----|---|------|------|--|
| FIG.  | REF.          | QTY | DESCR.                                      | FROM | UPTO |  |
| 1   | 60513329.1    | 1   | Rear Seal [NP]                              |      |      |  |
| 2   | 60511320.1.2  | 1   | Terminal Box LID                            |      |      |  |
| 3   | 60513329.3    | 1   | Terminal Board 8 pin [NP]                   |      |      |  |
| 4   | 60511320.1.7  | 1   | NON Drive END Bracket                       |      |      |  |
| 5   | 60513329.5    | 1   | Frame and Stator 2L [NP]                    |      |      |  |
| 6   | 60511320.1.9  | 1   | Drive END Bracket MD35 SAE5 [NP]            |      |      |  |
| 7   | 60513329.7    | 1   | Exciter Stator H-45 6P [NP]                 |      |      |  |
| 8   | 60513329.8    | 1   | Exciter Armature H-45 6P [NP]               |      |      |  |
| 9   | 60513329.9    | 1   | Rotor Assy 2L MD35 [NP]                     |      |      |  |
| 10  | 60513329.10   | 1   | Fan [NP]                                    |      |      |  |
| 11  | 60513329.11   | 1   | Rear Bearing 6207-2RS C3 [NP]               |      |      |  |
| 12  | 60500023.1    | 1   | Electronic Regulator DSR                    |      |      |  |
| 13  | 60513329.13   | 1   | Cover Stay Bolt "L" [NP]                    |      |      |  |
| 14  | 60513329.14   | 2   | Protection Screen SAE [NP]                  |      |      |  |
| 15  | 60513329.15   | 1   | Fixing Ring SV 60-522 [NP]                  |      |      |  |
| 16  | 60513329.16   | 1   | Fixing Ring SV 60-522 [NP]                  |      |      |  |
| 17  | 60513329.17   | 1   | Cable Grommet [NP]                          |      |      |  |
| 18  | 60513316.16   | 1   | Disc Locking Ring-Spacer [NP]               |      |      |  |
| 19  | 60513329.19   | 1   | Component-Carrying Panel [NP]               |      |      |  |
| 20  | 60513329.20   | 1   | Ring Spacer Vol. 8 - 10 [NP]                |      |      |  |
| 21  | 60513329.21   | 1   | Exciter Stay Bolt [NP]                      |      |      |  |
| 22  | 60513329.22   | 1   | Cap for MD35/3 D.E. Bracket [NP]            |      |      |  |
| NS  | 60511320.1.11 | 1   | Diode [NS]                                  |      |      |  |
| NS  | 60513329.24   | 1   | DI1 for DSR/DER1 + Cable DI1/Reg. [NS] [NP] |      |      |  |
| NS  | 60513329.25   | 1   | Front Bearing 6309-2RS C3 [NS] [NP]         |      |      |  |



[NP] Not provided  
 [NS] Not shown

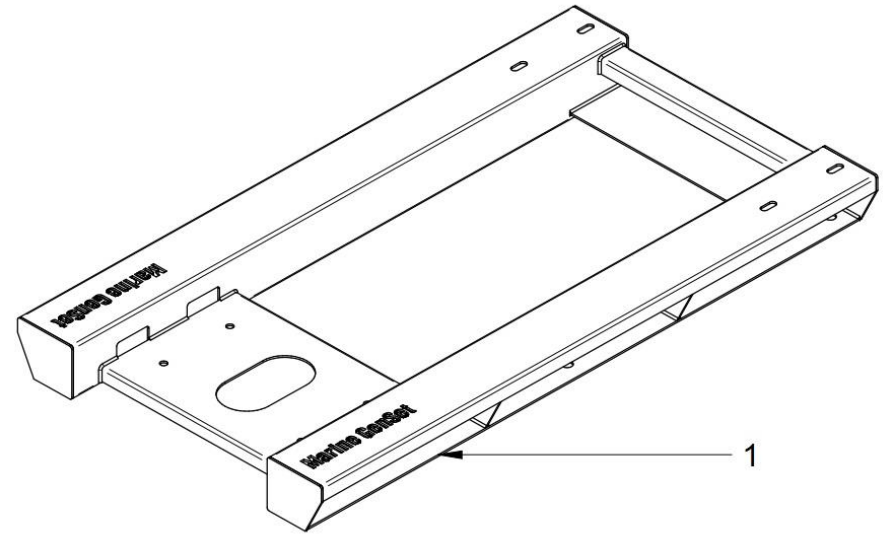


| D_60573107 Alternator Kit |          |     |                                     |      |      |  |
|---------------------------|----------|-----|-------------------------------------|------|------|--|
| FIG.                      | REF.     | QTY | DESCR.                              | FROM | UPTO |  |
| 1                         | 52103257 | 6   | Bolt DIN 912 M8-20 8.8              |      |      |  |
| 2                         | 52120010 | 8   | Nut DIN 934 M10 8.8                 |      |      |  |
| 3                         | 52202359 | 5   | Bolt DIN 933 M12-1,25-30 8.8        |      |      |  |
| 4                         | 53033008 | 6   | Washer GROWER DIN 127-8             |      |      |  |
| 5                         | 53033010 | 8   | Washer GROWER DIN 127-10            |      |      |  |
| 6                         | 52102307 | 8   | Bolt DIN 933 M10-20 8.8             |      |      |  |
| 7                         | 53033012 | 4   | Washer Grower DIN 127-12            |      |      |  |
| 8                         | 51030010 | 16  | Washer DIN 125-10                   |      |      |  |
| 9                         | 51030012 | 4   | Washer DIN 125-12                   |      |      |  |
| 10                        | 61673001 | 4   | Engine Mount Type F 35 SHA M12 H 34 |      |      |  |
| 11                        | 52102362 | 4   | Bolt DIN 933 M12-45 8.8             |      |      |  |

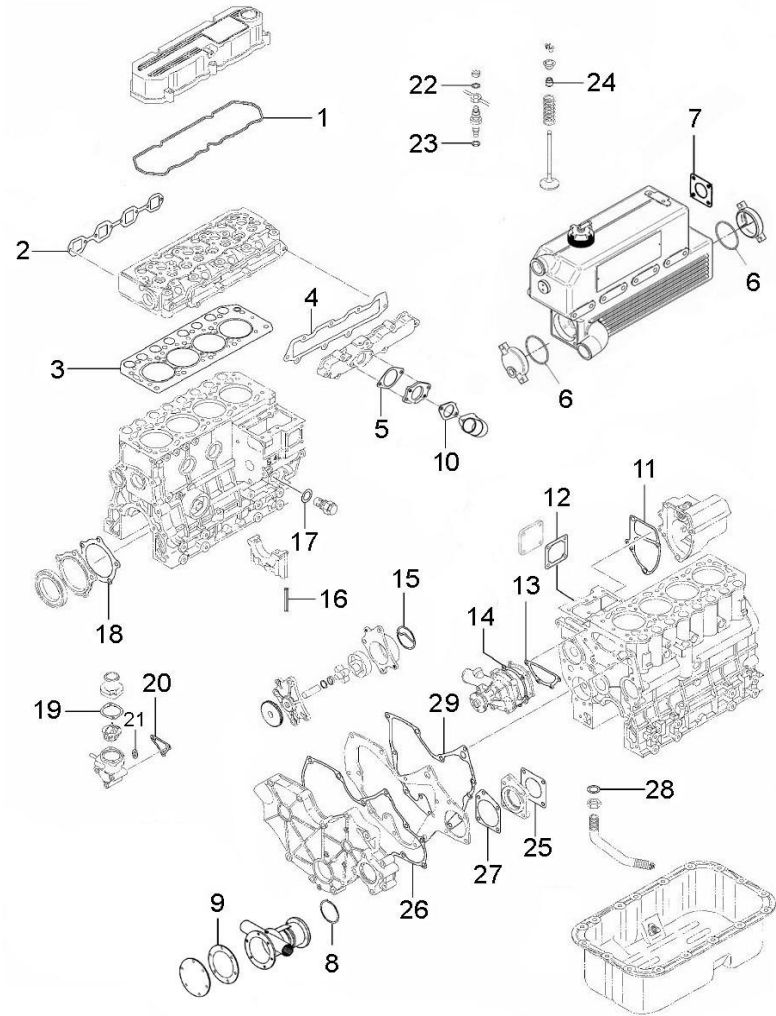




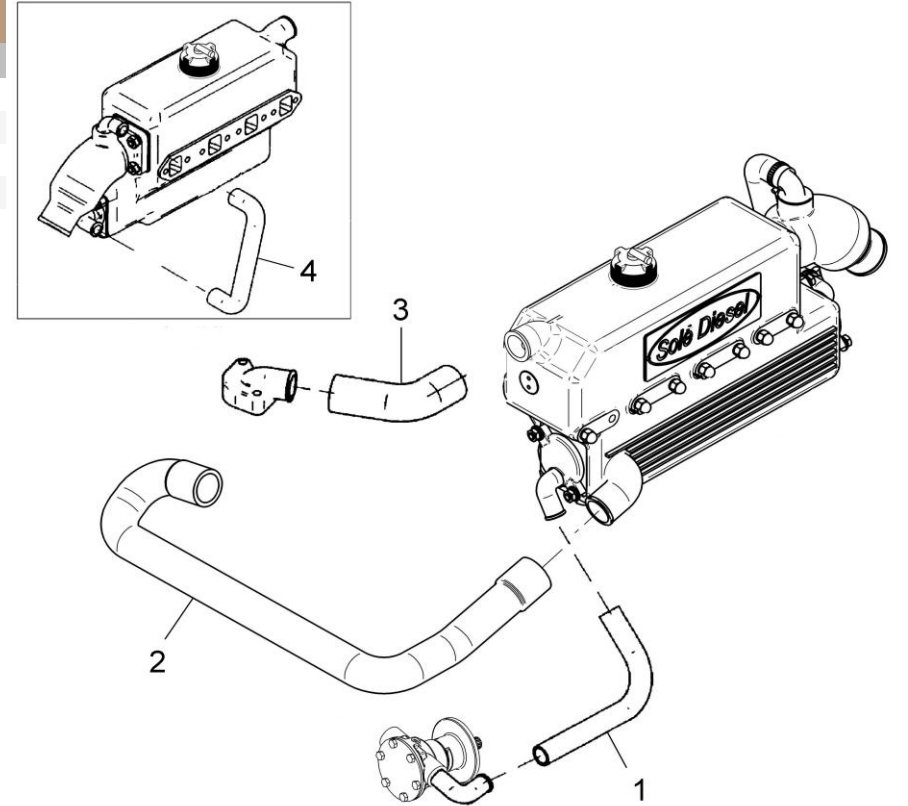
| D_60573015 |          | Genset Chassis |                                |      |      |
|------------|----------|----------------|--------------------------------|------|------|
| FIG.       | REF.     | QTY            | DESCR.                         | FROM | UPTO |
| 1          | 60573015 | 1              | G15M15/G15T15 MECCALTE CHASSIS |      |      |



| D_17320101.4 Gasket Kit |            |     |                         |      |      |  |
|-------------------------|------------|-----|-------------------------|------|------|--|
| FIG.                    | REF.       | QTY | DESCR.                  | FROM | UPTO |  |
| 1                       | 17321010   | 1   | Rocker Cover Gasket     |      |      |  |
| 2                       | 17321035   | 1   | Gasket                  |      |      |  |
| 3                       | 17321004   | 1   | Gasket, Cylinder Head   |      |      |  |
| 4                       | 17321032.1 | 1   | Gasket, Inlet Cover     |      |      |  |
| 5                       | 17321034.4 | 1   | Pipe Inlet Gasket       |      |      |  |
| 6                       | 13811007   | 2   | O-Ring D. 57X2,5        |      |      |  |
| 7                       | 15113043   | 1   | Exhaust Elbow Gasket    |      |      |  |
| 8                       | 17011007   | 1   | O-Ring D. 57X3          |      |      |  |
| 9                       | 31211003   | 1   | Gasket Cover            |      |      |  |
| 10                      | 17221034   | 1   | Gasket, Inlet Pipe      |      |      |  |
| 11                      | 17223033G  | 1   | Gasket, GOverNOR Case   |      |      |  |
| 12                      | 13223014   | 1   | Gasket Cover            |      |      |  |
| 13                      | 13221022   | 1   | Gasket Water Pump       |      |      |  |
| 14                      | 13221042   | 1   | Plate Water Pump        |      |      |  |
| 15                      | 17224041   | 1   | Packing, Body           |      |      |  |
| 16                      | 17220002   | 4   | Seal, Side              |      |      |  |
| 17                      | 17424063   | 1   | Gasket                  |      |      |  |
| 18                      | 17220016   | 1   | Gasket, Oil Seal Case   |      |      |  |
| 19                      | 17221031   | 1   | Gasket, Thermostat      |      |      |  |
| 20                      | 17221033   | 1   | Gasket, Thermostat Case |      |      |  |
| 21                      | 56000073   | 2   | Copper Washer 16-23-1,5 |      |      |  |
| 22                      | 13824025   | 4   | Injector Gasket         |      |      |  |
| 23                      | 13824013   | 4   | Injector Washer         |      |      |  |
| 24                      | 13222054   | 8   | Seal Valve Stem         |      |      |  |
| 25                      | 13120047   | 3   | Gasket Water Pump       |      |      |  |
| 26                      | 17220040   | 1   | Gasket, Gear Case       |      |      |  |
| 27                      | 17220038   | 1   | Gasket, Housing         |      |      |  |
| 28                      | 17024001   | 1   | Gasket                  |      |      |  |
| 29                      | 17220018   | 1   | Gasket, Front Plate     |      |      |  |

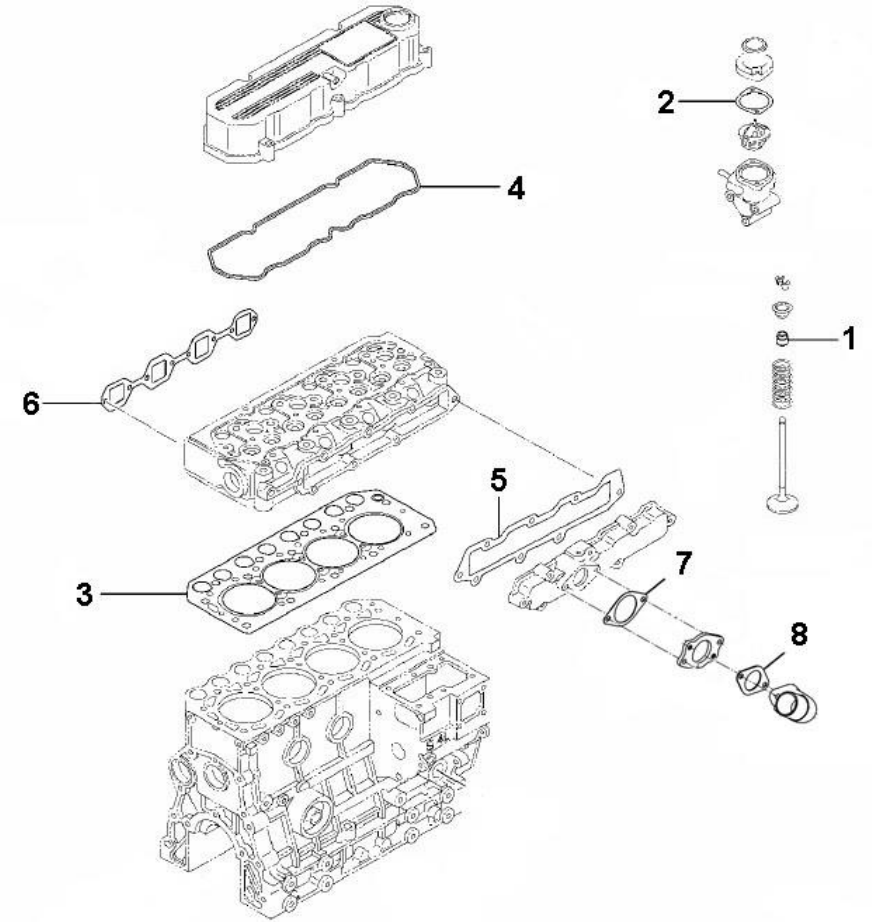


| 17211100.4 |          | Pipe Rubber Set, Water Line |                               |      |      |  |
|------------|----------|-----------------------------|-------------------------------|------|------|--|
| FIG.       | REF.     | QTY                         | DESCR.                        | FROM | UPTO |  |
| 1          | 17011012 | 1                           | Elbow                         |      |      |  |
| 2          | 17211006 | 1                           | Hose                          |      |      |  |
| 3          | 17211021 | 1                           | Elbow                         |      |      |  |
| 4          | 17211034 | 1                           | Rubber WET Exhaust Inlet BEND |      |      |  |

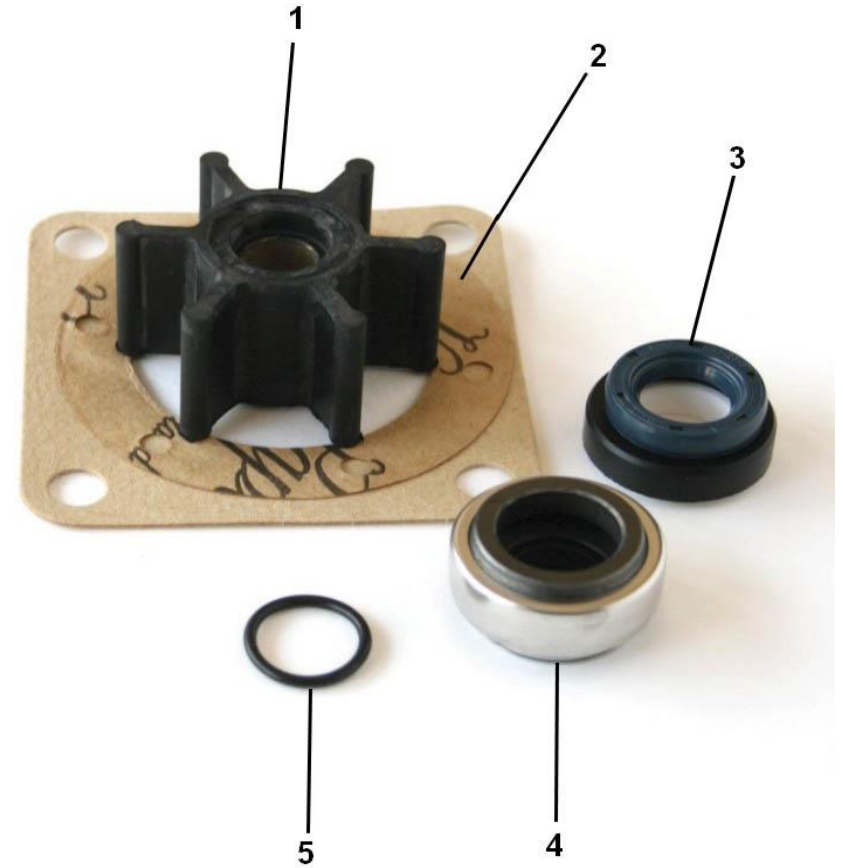




| 17320101.1.4 Gasket Set |            |     |                       |      |      |  |
|-------------------------|------------|-----|-----------------------|------|------|--|
| FIG.                    | REF.       | QTY | DESCR.                | FROM | UPTO |  |
| 1                       | 13222054   | 8   | Seal Valve Stem       |      |      |  |
| 2                       | 17221031   | 1   | Gasket, Thermostat    |      |      |  |
| 3                       | 17321004   | 1   | Gasket, Cylinder Head |      |      |  |
| 4                       | 17321010   | 1   | Rocker Cover Gasket   |      |      |  |
| 5                       | 17321032   | 1   | Gasket, Inlet Cover   |      |      |  |
| 6                       | 17321035.1 | 1   | Gasket                |      |      |  |
| 7                       | 17321034.4 | 1   | Pipe Inlet Gasket     |      |      |  |
| 8                       | 17221034   | 1   | Gasket, Inlet Pipe    |      |      |  |



| 33811000K |          | Repair Kit Water Pump 1/2" |                     |      |      |  |
|-----------|----------|----------------------------|---------------------|------|------|--|
| FIG.      | REF.     | QTY                        | DESCR.              | FROM | UPTO |  |
| 1         | 31211008 | 1                          | 1/2" Impeller       |      |      |  |
| 2         | 31211003 | 1                          | Gasket Cover        |      |      |  |
| 3         | 33411020 | 1                          | Seal                |      |      |  |
| 4         | 33411019 | 1                          | Seal                |      |      |  |
| 5         | 33311013 | 1                          | O-Ring D. 15X2      |      |      |  |
| NS        | 17011007 | 1                          | O-Ring D. 57X3 [NS] |      |      |  |



[NS] Not shown



| 37611000K |          | Repair Kit Water Pump 1/2" |                     |            |            |  |
|-----------|----------|----------------------------|---------------------|------------|------------|--|
| FIG.      | REF.     | QTY                        | DESCR.              | FROM       | UPTO       |  |
| 1         | 31211008 | 1                          | 1/2" Impeller       |            |            |  |
| 2         | 37611003 | 1                          | O-Ring D. 57x1,5    |            | 01/06/2022 |  |
| 2         | 37611005 | 1                          | O-Ring D. 57X1,78   | 02/06/2022 |            |  |
| 3         | 33411020 | 1                          | Seal                |            |            |  |
| 4         | 33411019 | 1                          | Seal                |            |            |  |
| 5         | 33311013 | 1                          | O-Ring D. 15X2      |            |            |  |
| NS        | 17011007 | 1                          | O-Ring D. 57X3 [NS] |            |            |  |



[NS] Not shown





| D_UTILFA1229_1 |             | Special Tools |                            |      |      |  |
|----------------|-------------|---------------|----------------------------|------|------|--|
| FIG.           | REF.        | QTY           | DESCR.                     | FROM | UPTO |  |
| 1              | UMM74007    | 1             | Piston Ring Pliers         |      |      |  |
| 2              | U31A9100100 | 1             | Piston pin setting tool    |      |      |  |
| 3              | UST332270   | 1             | Compression Gauge Adapter  |      |      |  |
| 4              | UST332340   | 1             | Camshaft Bushing Installer |      |      |  |

