



Genset 8 GT/GTC & 10 GTA/GTAC

VERSION 2023-8

SPARE PARTS MANUAL



PARTS LIST CATALOGUE

NORMS TO PLACE AN ORDER:

For fast and more efficient service, please specify the following information on spare parts orders that must be preferably done by FAX or e-mail as specified below:

- 1- Engine model: As shown in identification plate
- 2- Engine serial number: As shown in identification plate and stamped on crankcase
- 3- Item description + part number + quantity required

Spare parts requests must be addressed to:

recambios@solediesel.com

Telf.: +34 93 775 44 05

Fax: +34 93 775 30 13

The components shown in the catalog have:

- Figure: Number by which they are represented in scheme
 - Description: Trade name of the component
 - Quantity: Total number of parts used in the assembly of the part represented (may differ from the total minimum quantities)
- Hoses, indicates the total length in meters
-

The diagrams shown in this catalog of spare parts, have only the purpose to identify the piece in question, its representation is not meaningful and may differ from the actual piece.

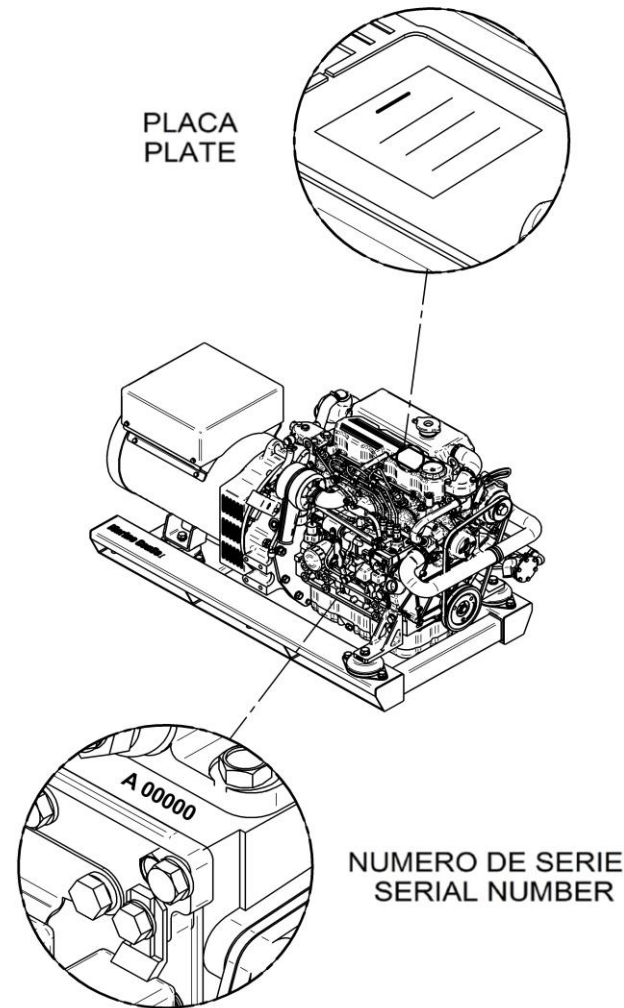
In case of doubt, contact Solé Diesel, or your authorized dealer.

The parts i / or references in this catalog are subject to change without notice.

[SOLÉ S.A.](http://www.solé.com)

C-243b, Km, 2 - P.O. BOX 15
08760 Martorell (Barcelona) Spain

Download the latest version of this manual [HERE](#)



Engine Body

Cylinder Head
Rocker Cover & Breather
Valve Drive
Timing Parts
Gear Case
Crankcase
Flywheel Housing
Piston & Connecting Rod
Crankshaft & Flywheel
Oil System
Oil Pan
Engine Brackets

Inlet & Exhaust

Inlet

Cooling System

Water Pump
Cooler Pipes
Wet Exhaust
Water Cooler Assy MINI-29
Body, Water Cooler And Cap
Splined Pump 3/8" MINI-48 Gen-26/33/44
1/2" Pump Water, Set
Splined Pump 1/2" MINI-11/17/29/33/44

Fuel System

Fuel Pipe
Injection Nozzle
Fuel Injection Pump
Governor Parts
Fuel Supply Parts

Electrical System

12V Electrical Wiring 12V
Panels for Genset
Panel Components for Genset
Genset Extension

Genset Alternator Spare Parts

Alternator 8 GT/GTC Y 10 GTA/GTAC
3 Phase SINCRO ALT. Genset Kit (C)

Genset Alternator Kit

Alternator Kit Without Canopy
Alternator Kit With Canopy 400/230V y 480/277V
Alternator Kit With Canopy 230V y 240V

Chassis Spare Parts

Genset Chassis

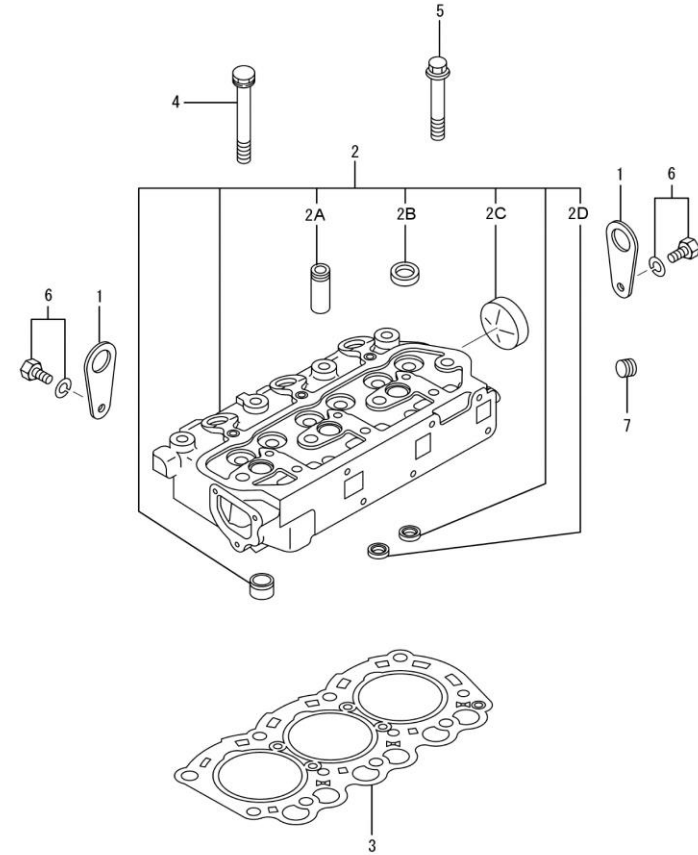
Canopy Spare Parts

Soundproof Cabin Group MI26
Kit Cabin Alt.SINCRO

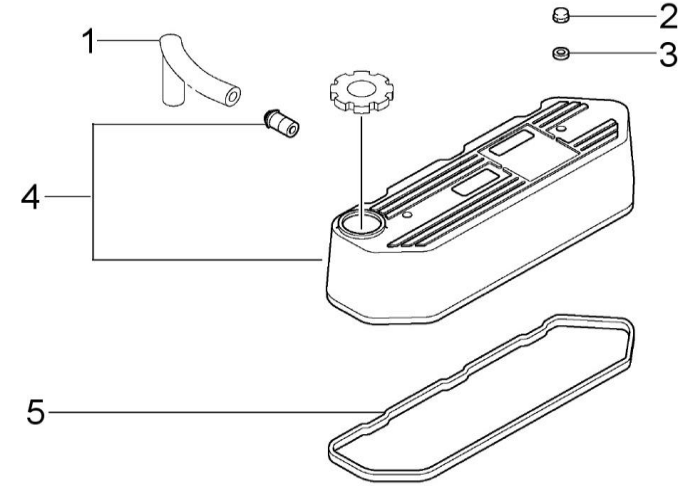
Maintenance Kit

Gasket Kit
Pipe Rubber Set, Water Line 4 V. MINI-29
Repair Kit Water Pump 1/2"
Repair Kit Water Pump 1/2"
Special Tools

D_GB01_1_1		Cylinder Head				
FIG.	REF.	QTY	DESCR.	FROM	UPTO	
1	13821011	2	HANGER Engine			
2	13921001G	1	Head Assy,Cylinder			
2A	13721002	6	Guide Valve			
2B	13821012	3	Cap			
2C	13520013	1	Cap,Sealling			
2D	13921061G	3	Seat Valve (Intake)			
3	17621004	1	Gasket,Cylinder Head			
4	13821005	8	Bolt,cylinder head			
5	13821013	3	Bolt,cylinder head			
6	17422037G.1	2	Bolt W/Washer (Generator)			
7	13220023	1	Plug TAPER			

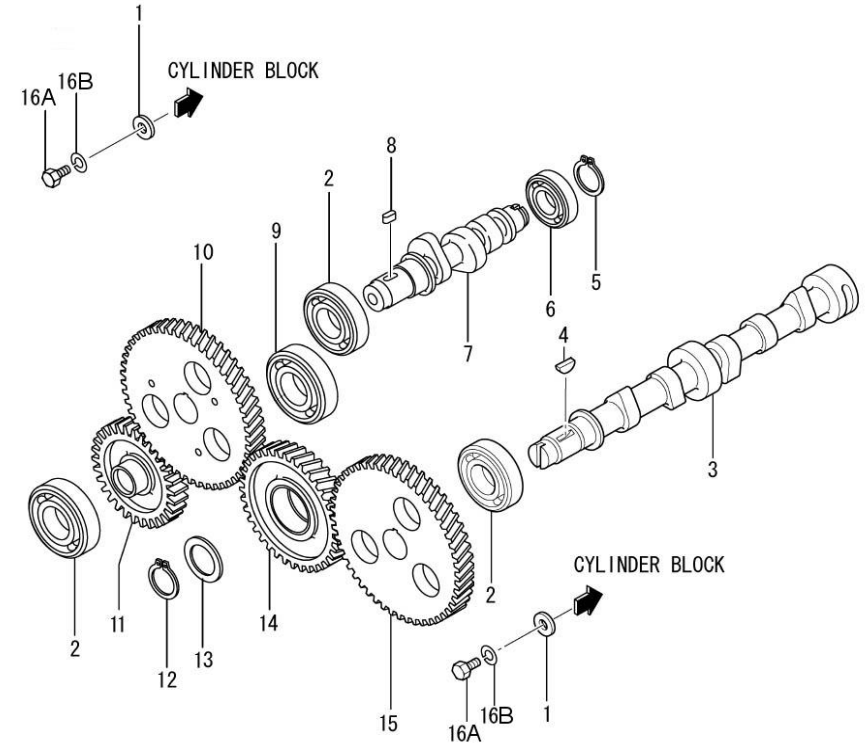


D_GB01_1_2		Rocker Cover & Breather				
FIG.	REF.	QTY	DESCR.	FROM	UPTO	
1	13821006	1	Hose BREATHER			
2	13821018	2	Nut			
3	51030006	2	Washer DIN 125-6			
4	(*)	1	Not available [NP]			
5	13921010	1	Gasket Rocker Cover			

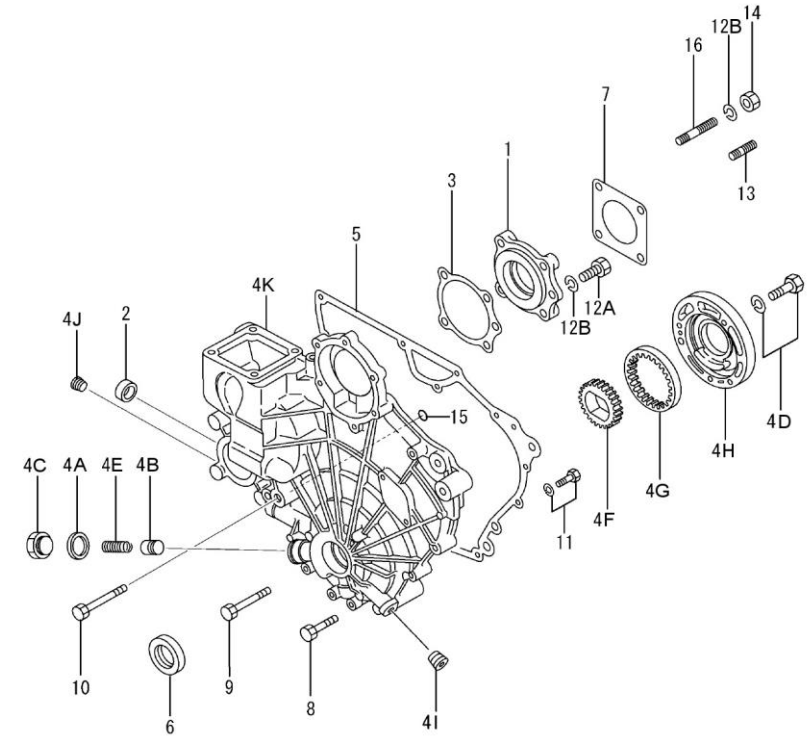


[NP] Not provided

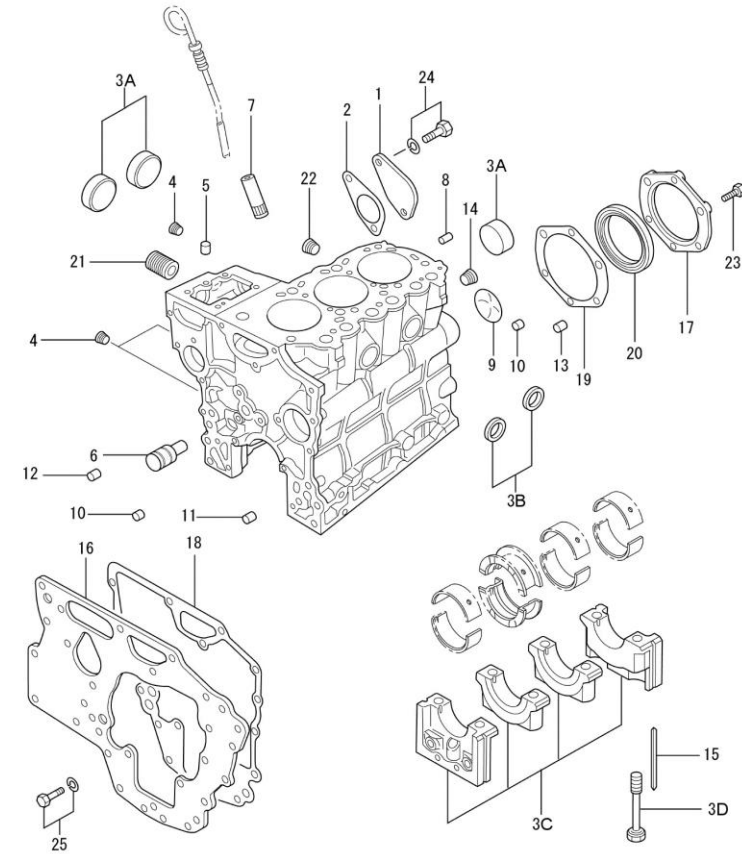
D_GB01_1_4 Timing Parts						
FIG.	REF.	QTY	DESCR.	FROM	UPTO	
1	13822033	1	Washer CamShaft Stop			
2	13822057.1	1	Spring,Valve			
3	13922035G.1	1	CamShaft			
4	17622036	1	KEY			
5	53040016	1	CIRclip DIN 471 E-16			
6	17622068.4	1	Bearing Ball			
7	13922040	1	Shaft Fuel INJ.PU			
8	17622060.4	1	Key, Sunk			
9	13822066	1	Ball Bearing 6005-C3			
10	13822043.4	1	Gear,Fuel INJ.Pump Z=52			
11	13922065G	1	Gear Oil Pump			
12	53040020	1	CIRclip DIN 471 E-20			
13	17622034.4	1	Plate DISTANCE			
14	17622038.4	1	Gear Assy,IDLER Z=40			
15	13822037	1	Gear,CamShaft Z=52			
16A	52102155	2	Bolt DIN 933 M6-12 8.8			
16B	53033006	2	Washer GROWER DIN 127-6			



D_GB01_1_5		Gear Case			
FIG.	REF.	QTY	DESCR.	FROM	UPTO
1	13820037	1	Housing Pump Gear		
2	13820045	1	Cap Sealling (20)		
3	13820038	1	Gasket Housing		
4	13820035	1	Case Gear		
4A	56000077	1	Washer 18-23-1,5		
4B	13224043	1	Plunger		
4C	13224045	1	Plug		
4DA	52101159	3	Bolt DIN 931 M6-30 8.8		
4DB	53033006	3	Washer GROWER DIN 127-6		
4E	13824044	1	Spring RELIEF		
4F	13820050	1	Gear Oil Pump INN		
4G	13820051	1	Gear Oil Pump OUT		
4H	13820052	1	Housing Oil Pump		
4I	13220023	1	Plug TAPER		
4J	13821012G	2	Conical Plug		
5	13820040	1	Gasket Gear Case		
6	13820039	1	Oil Seal		
7	13120047	1	Gasket Water Pump		
8	52102160	3	Bolt DIN 933 M6-35 8.8		
9	52102164	4	Bolt DIN 933 M6-55 8.8		
10	52101166	1	Bolt DIN 931 M6-65 8.8		
11	17620054	4	Bolt		
12A	52102258	1	Bolt DIN 933 M8-25 8.8		
12B	53033008	2	Washer GROWER DIN 127-8		
13	13220043	1	Stud L 34		
14	17120049	4	Nut M8		
15	13820044	2	O-Ring D. 11X2,5		
16	13220042	3	Stud L 54		



D_GB01_1_6		Crankcase			
FIG.	REF.	QTY	DESCR.	FROM	UPTO
1	13820011	1	Cover		
2	17620012.4	1	Gasket Cover		
3A	13520013	3	Cap,SeallNG		
3B	13220012	2	Cap Sealing		
3C	(*)	1	Not available [NP]		
3D	13820009.1	8	Bolt Bearing Cap		
4	17620013.4	3	Plug Taper 1/16		
5	17620036.4	2	Pin Dowel	02/08/2017	
6	13820014	1	Shaft IDLER		
7	17620007.4	1	Guide		
8	17620020.4	1	Pin	02/08/2017	
9	13820013	1	Plug Expansion		
10	13720009	2	Bushing (6X9)		
11	17620021.4	1	Bushing		
12	13220021	2	Bushing KNOCK		
13	13520010	3	KNOCK		
14	13220023	1	Plug TAPER		
15	13820002	4	Seal Side		
16	13820017	1	Plate, Front		
17	13820015	1	Case Oil Seal		
18	13820018	1	Gasket Front Plate		
19	13820016	1	Gasket Oil Seal C		
20	13820008	1	Seal Oil		
21	13124047	1	Shaft Oil Filter		
22	17120022	1	Plug, tapered		
23	52102157	6	Bolt DIN 933 M6-20 8.8		
24	17422037G.1	2	Bolt W/Washer (Generator)		
25	17620054	7	Bolt		
NS	17620001	1	Block SUB Assy,CYL [NS]		

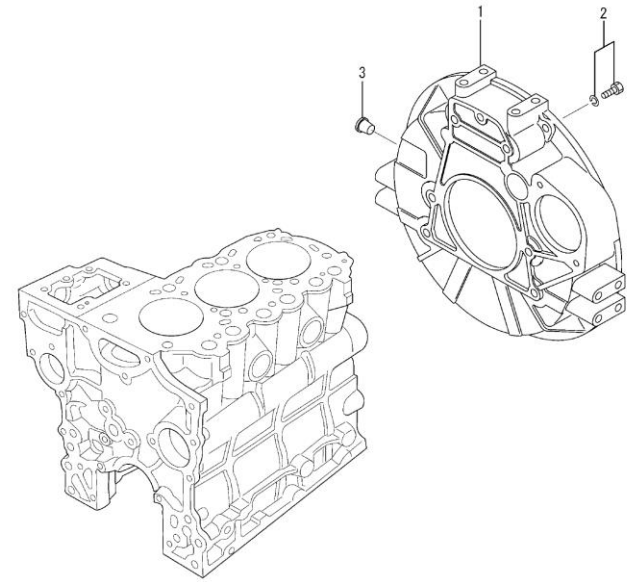


[NP] Not provided

[NS] Not shown

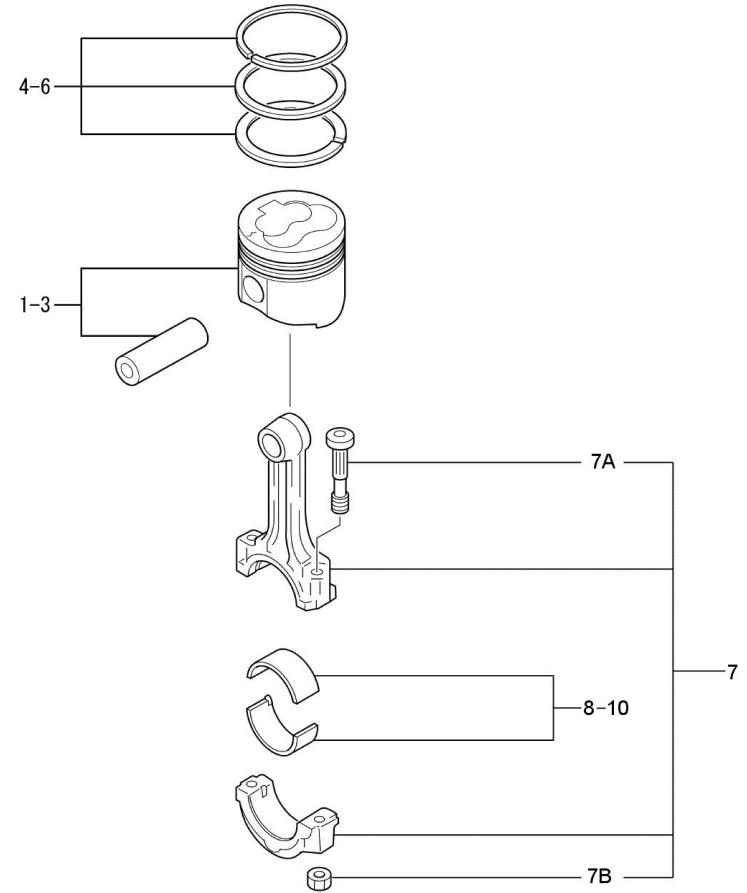


D_GB01_1_7 Flywheel Housing						
FIG.	REF.	QTY	DESCR.	FROM	UPTO	
1	13820002G	1	FLYWEEL Housing			
2	17327129.2	6	Bolt			
3	13820013G	1	Plug (Generator)			

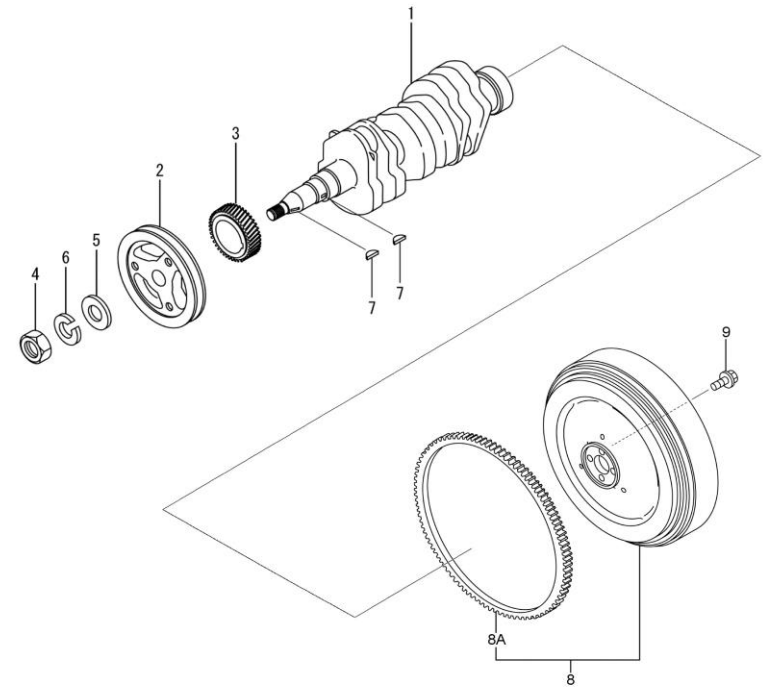




D_GB01_1_8		Piston & Connecting Rod				
FIG.	REF.	QTY	DESCR.	FROM	UPTO	
1	13822001.1	3	Piston & Pin Set STD.			
2	13822002.1	3	PISTON & Pin SET O.S. 0.25			
2	13822002.2	3	PISTON & Pin SET O.S. 0.25			
3	13822003.1	3	Piston & Pin Set O.S. 0.50			
4	13822006	3	Ring Set,Piston STD.			
5	13822007	3	Ring Set,Piston O.S. 0.25			
6	13822008	3	Ring Set,Piston O.S. 0.50			
7	13822012.3	3	Rod Assy (21)			
7A	13222013	6	Bolt,connecting rod			
7B	13222011	6	Nut,connecting rod			
8	13822014	3	Bearing Set,CON-ROD STD.			
9	13822015	3	Bearing Set,Con-Rod U.S. 0.25			
10	13822016	3	Bearing Set,Con-Rod U.S. 0.50			

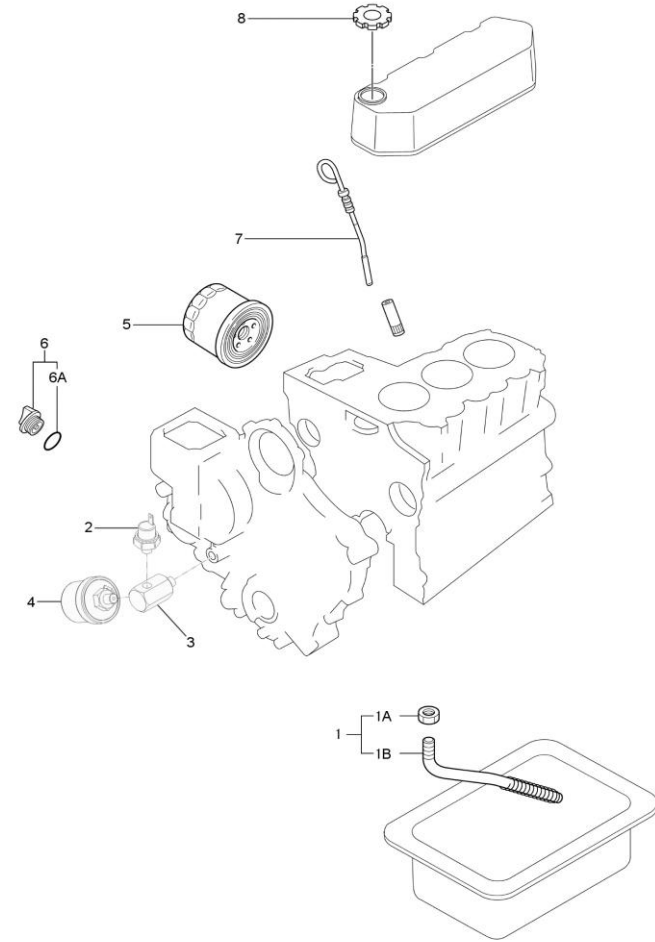


D_GB01_1_9		Crankshaft & Flywheel				
FIG.	REF.	QTY	DESCR.	FROM	UPTO	
1	13922020	1	CrankShaft			
2	17622024.4	1	Pulley CrankShaft			
3	13822021	1	Gear CrankShaft Z=26			
4	13822026	1	Nut			
5	(*)	2	Not available [NP]			
6	53033016	1	1			
7	17622036	2	KEY			
8	13822027.3	1	Flywheel Assy			
8A	13722029	1	Gear Ring Z=106 [NP]			
9	13822031.4	4	Bolt Flywheel			



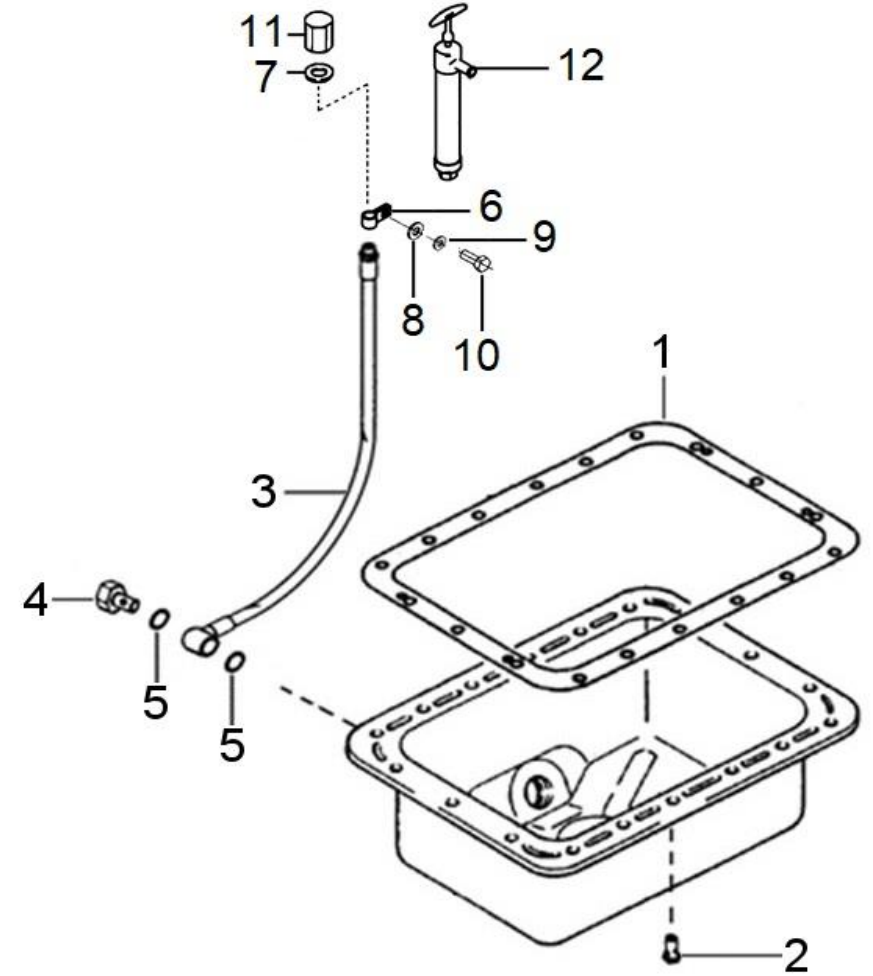
[NP] Not provided

D_GB01_1_10		Oil System				
FIG.	REF.	QTY	DESCR.	FROM	UPTO	
1	13824052	1	SCREEN Assy Oil			
1A	51221014	1	Nut DIN 936 M14X1,5 5.6 ZINC			
1B	(*)	1	Not available [NP]	01/01/2016		
2	13824060	1	SWITCH Assy			
3	13817051	1	Sender Holder			
4	60900985	1	Pressure Sensor			
5	13124051	1	Oil Filter Element from MINI 11 to 55			
6	13521003	1	Cap Oil FILLER		30/01/2020	
6	17621003.5	1	Cap Oil FILLER	05/02/2020		
6A	13721007	1	O-Ring D. 30X3			
7	13820029	1	Gauge Oil Level			
8	17621003	1	Cap Oil FILLER			



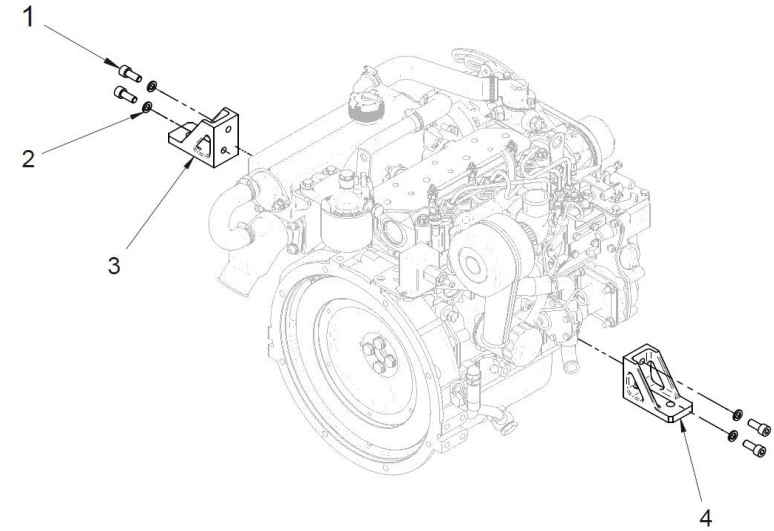
[NP] Not provided

D_GB01_1_11		Oil Pan				
FIG.	REF.	QTY	DESCR.	FROM	UPTO	
2A	52102155	18	Bolt DIN 933 M6-12 8.8			
2B	53033006	1	Washer GROWER DIN 127-6			
3	13814021	1	ExtraCTION, hose			
4	16514022	1	Coupling,screw 18x150			
5	56000077	2	Washer 18-23-1,5			
6	17114023	1	Bracket,pipe			
7	56000217	1	Washer 13-20-3			
8	51030010	1	Washer DIN 125-10			
9	53033010	1	Washer GROWER DIN 127-10			
10	52202307	1	Bolt DIN 933 M10-1,25-20 8.8			
11	16514020	1	Plug			
12	14714001	1	Oil Extraction Pump			

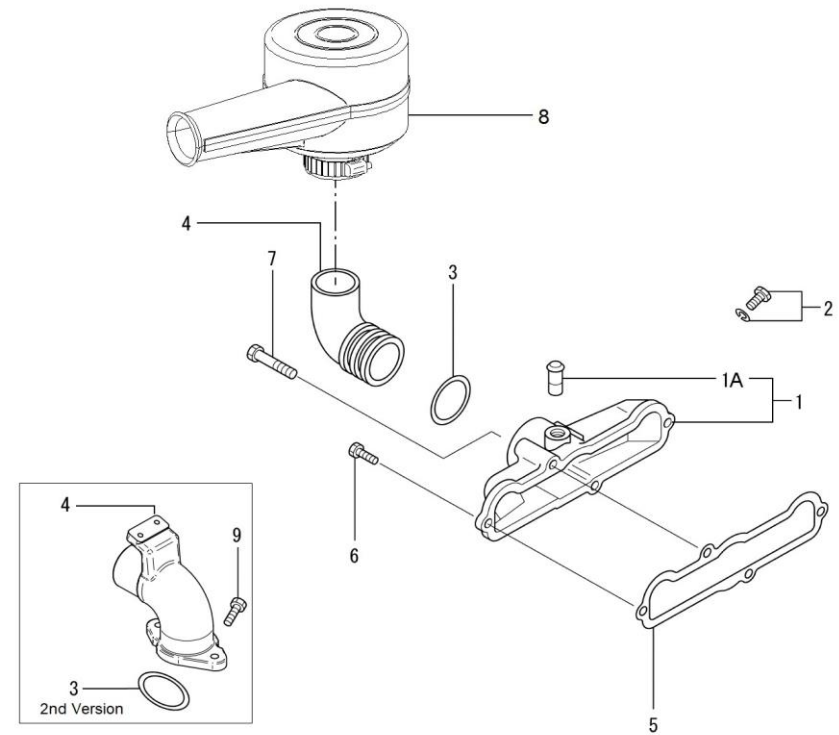




D_GB01_1_12		Engine Brackets				
FIG.	REF.	QTY	DESCR.	FROM	UPTO	
1	52203308	4	Bolt DIN 912 M10-1,25-25 12.9 Blued			
2	53033010	4	Washer GROWER DIN 127-10			
3	13910004G.1	1	Front Bracket			
4	13910003G.1	1	Front Bracket			

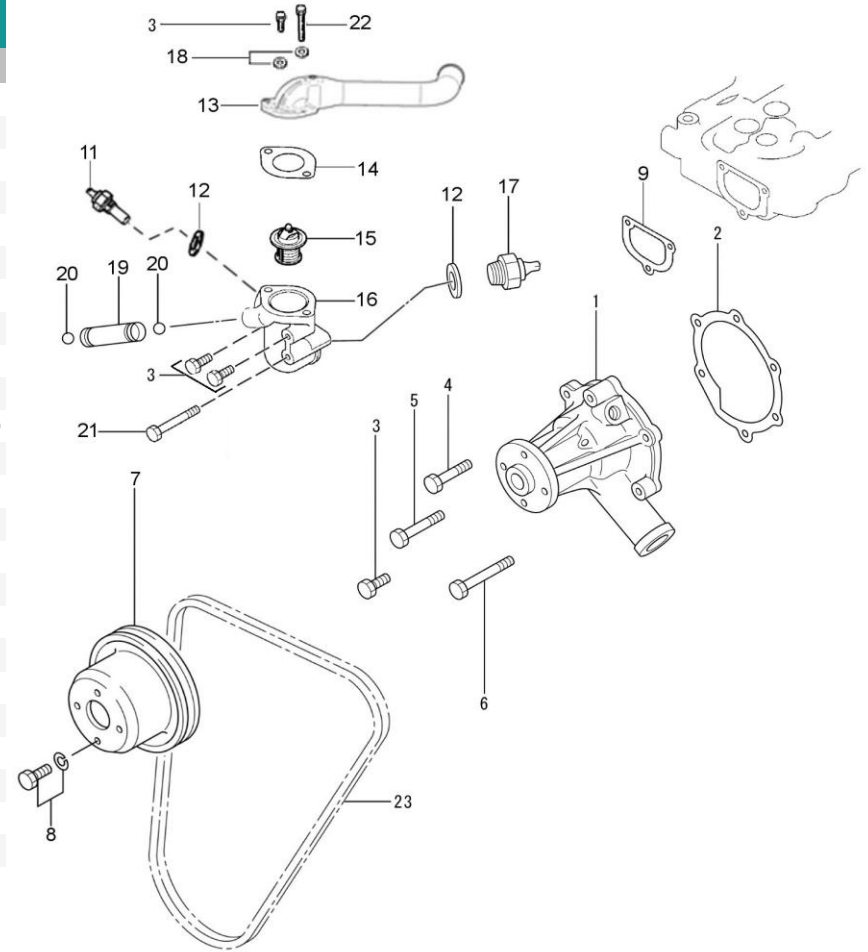


D_GB01_2_1		Inlet				
FIG.	REF.	QTY	DESCR.	FROM	UPTO	
1	13921030	1	Cover Assy Intake			
1A	(*)	1	Not available [NP]			
2	13821033.1	1	Bolt,W/Washer		19/09/2017	
2A	52102155	1	Bolt DIN 933 M6-12 8.8	20/09/2017	19/12/2019	
3	13821042	1	O-Ring D. 40X3,5			
3	17621042	1	Gasket			
4	13821029	1	Pipe Intake			
4	17610027	1	Bend Filter Air			
5	17621032	1	Gasket Intake COV			
7	52101162	2	Bolt DIN 931 M6-45 8.8			
8	13810074	1	Air Filter	15/02/2017		
9A	52102157	2	Bolt DIN 933 M6-20 8.8			
9B	53038006	2	Washer DIN 6798-A 6			



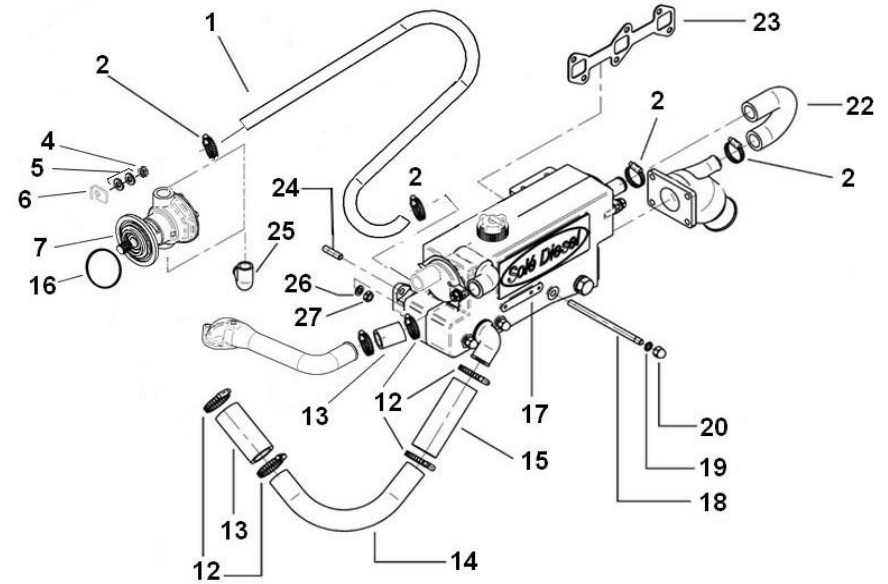
[NP] Not provided

D_GB01_3_1		Water Pump				
FIG.	REF.	QTY	DESCR.	FROM	UPTO	
1	13821020	1	Fresh Water Pump			
2	13821022	1	Gasket Water Pump			
3	52102157	5	Bolt DIN 933 M6-20 8.8			
4	52102160	1	Bolt DIN 933 M6-35 8.8			
5	52101162	1	Bolt DIN 931 M6-45 8.8			
6	52102164	2	Bolt DIN 933 M6-55 8.8			
7	13921021	1	Pulley Water Pump			
8A	52102155	4	Bolt DIN 933 M6-12 8.8			
8B	53033006	4	Washer GROWER DIN 127-6			
9	13821033	1	Gasket Thermostat	25/03/2020		
9	17621033.4	1	Gasket Thermostat	27/03/2018	25/03/2020	
11	60900980	1	Temperature Sensor			
12	56000073	2	Copper Washer 16-23-1,5			
13	13811020.1	2	Cover			
14	13821031	1	Gasket Water OutL			
15	13821027	1	Thermostat 71°			
16	13821037.1	1	FITTING Thermostat New			
17	60900070	1	Thermo-Switch 97°C			
18	53038006	2	Washer DIN 6798-A 6			
19	17621026.4	1	Pipe BYPASS			
20	13821038	2	O-Ring D. 9X2			
21	52101165	1	Bolt DIN 931 M6-60 8.8			
22	52101163	1	Bolt DIN 931 M6-50 8.8			
23	13821228	1	Belt Type SPZX 900			



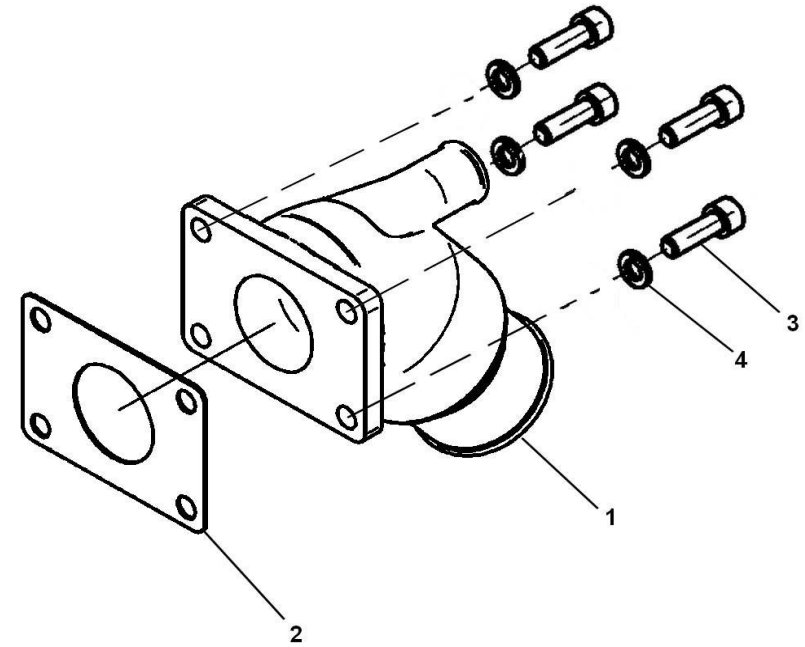


D_GB01_3_4		Cooler Pipes				
FIG.	REF.	QTY	DESCR.	FROM	UPTO	
1	M87501927	0,75	Water Intake Hose (HQ) D. 19-27			
2	54081020	3	Clamp DIN 3017 20-32/9 W4			
4	17120049	4	Nut M8			
5A	51030008	4	Washer DIN 125-8			
5B	53033008	4	Washer GROWER DIN 127-8			
6	13811062	4	Pump Bracket			
7	37611000	1	Splined Pump 1/2" MINI-11/17/29/33/44	22/05/2017		
12	54081025	6	Clamp DIN 3017 25-40/9 W4			
13	13811017	2	Pipe 28-38-80			
14	13811014	1	Elbow			
15	17611002	1	Pipe 28-38-110			
16	17011007	1	O-Ring D. 57X3			
17	17611000.1R	1	Water Cooler Assy MINI-29 (Spare Part)			
18	13811018	1	Manifold, mounting stud			
19	56000057	1	Washer 8-13-1,5			
20	55122008	1	Nut DIN 1587 M8			
22	17611034	1	Hose			
23	17621035	1	Gasket, Exhaust			
24	14711008	3	Stud, cover			
25	13211035	2	Exhaust Manifold Outlet Bend			
26	53038008	3	Washer DIN 6798-A 8			
27	54120008	3	Nut DIN 934 M8			



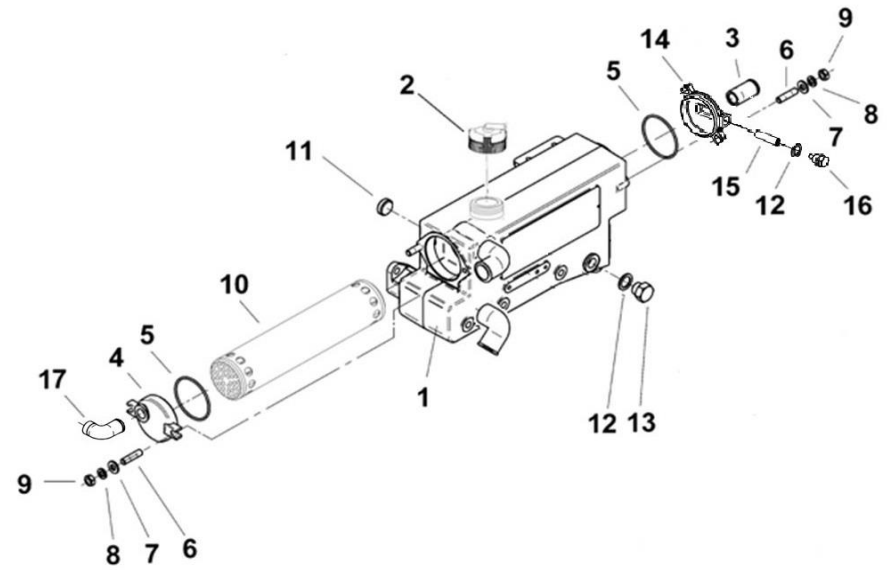


D_GB01_3_5		Wet Exhaust				
FIG.	REF.	QTY	DESCR.	FROM	UPTO	
1	17613015G	1	Elbow, WET Exhaust GEN.Set		24/03/2023	
1	17613016G	1	Elbow, Wet Exhaust Genset	24/03/2023		
2	17613014	1	Gasket			
3	52103257	4	Bolt DIN 912 M8-20 8.8			
4	53033008	4	Washer GROWER DIN 127-8			



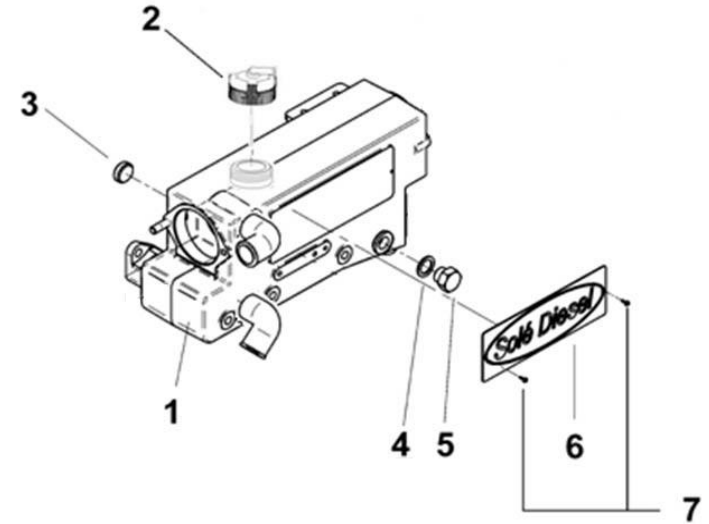


D_17611000.1REC		Water Cooler Assy MINI-29				
FIG.	REF.	QTY	DESCR.	FROM	UPTO	
1	17611001	1	Body, Water Cooler			
2	13811010	1	Cap			
3	13211031	1	Raccord 1/2"			
4	13811002	1	Water Cooler Cover			
5	13811007	2	O-Ring D. 57X2,5			
6	13311006	4	Stud,cover			
7	51030008	4	Washer DIN 125-8			
8	53033008	4	Washer GROWER DIN 127-8			
9	54120008	4	Nut DIN 934 M8			
10	17211004	1	Tubular Bundle			
11	12113092	1	Plug			
12	56000073	2	Copper Washer 16-23-1,5			
13	12111076	1	Plug			
14	13811042	1	Water Cooler Cover			
15	13811043	1	Engine Anode 29.5 mm M.8			
16	18011009	1	Anode Plug			
17	13211035	1	Exhaust Manifold Outlet Bend			



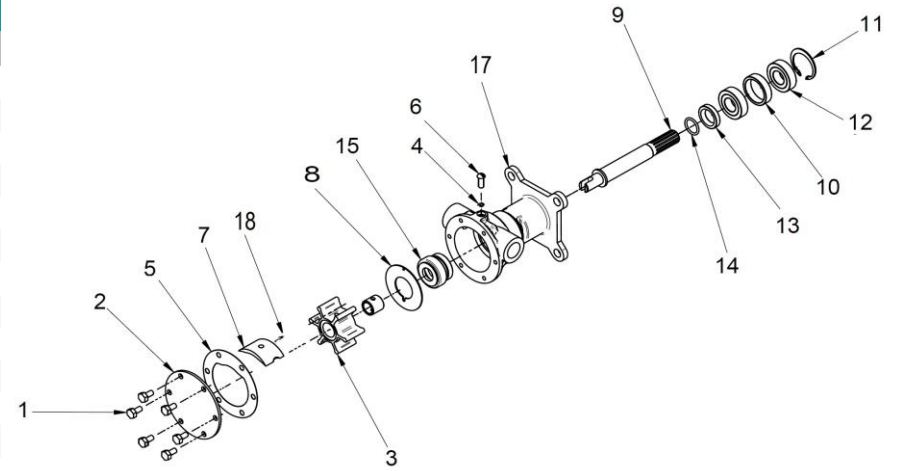


17611001C		Body, Water Cooler And Cap			
FIG.	REF.	QTY	DESCR.	FROM	UPTO
1	17611001	1	Body, Water Cooler		
2	13811010	1	Cap		
3	12113092	1	Plug		
4	56000073	1	Copper Washer 16-23-1,5		
5	12111076	1	Plug		
6	17111060	1	Plate "SOLE Diesel"		
7	17111062	2	Bolt		



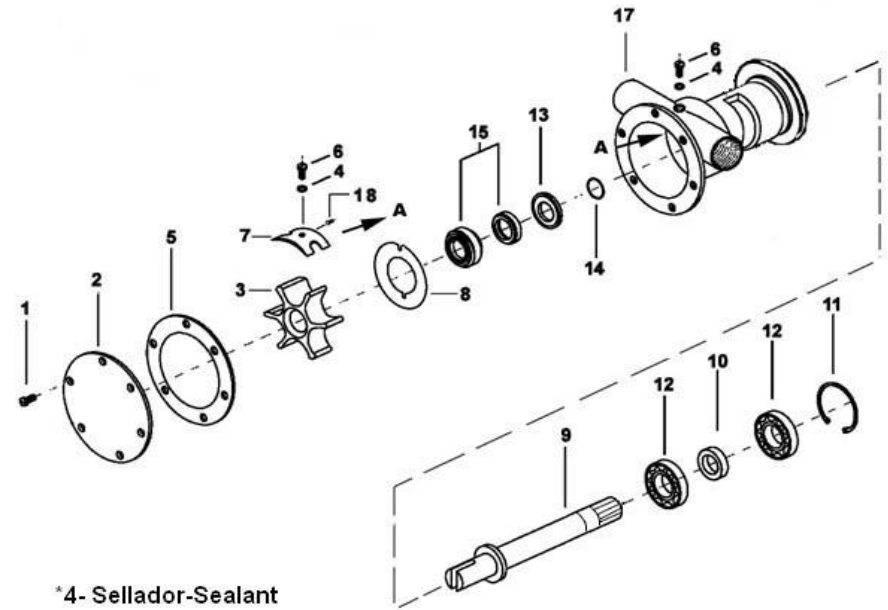


37011200		Splined Pump 3/8" MINI-48 Gen-26/33/44			
FIG.	REF.	QTY	DESCR.	FROM	UPTO
1	54102104	6	Bolt DIN 933 M5-10 INOX.		
2	31211002	1	Cover Pump		
3	31211008	1	1/2" Impeller		
5	31211003	1	Gasket Cover		
6	55307105	1	Bolt DIN 86 W3/16-13		
7	31211005	1	Cam		
8	33411026	1	Wearplate		
9	37011210	1	Shaft,water pump		
10	33411015	1	Spacer 32X26X8		
11	53041032	1	CIRClip DIN 472 I-32		
12	33411014	2	Ball Bearing 6002-C3		
13	33411020	1	Seal		
14	33311013	1	O-Ring D. 15X2		
15	33411019	1	Seal		
17	33411001	1	Body,Water Pump		
18	33411017	1	Pin,Dowel		



*4 - Sellador - Sealant

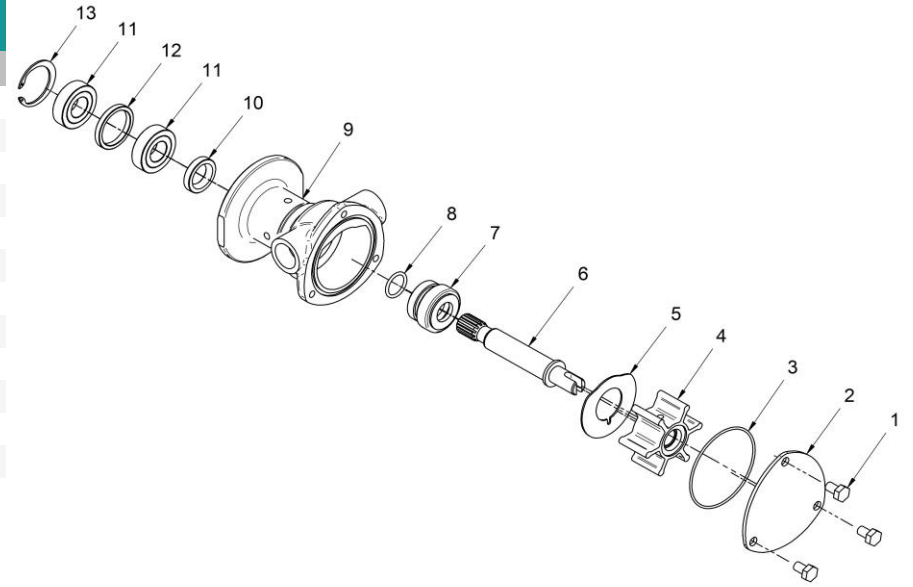
33811000		1/2" Pump Water, Set			
FIG.	REF.	QTY	DESCR.	FROM	UPTO
1	54102104	6	Bolt DIN 933 M5-10 INOX.		
2	31211002	1	Cover Pump		
3	31211008	1	1/2" Impeller		
5	31211003	1	Gasket Cover		
6	55307105	1	Bolt DIN 86 W3/16-13		
7	31211005	1	Cam		
8	33411026	1	Wearplate		
9	33811010	1	Shaft,Water Pump		
10	33811015	1	Spacer		
11	53041032	1	CIRClip DIN 472 I-32		
12	33411014	2	Ball Bearing 6002-C3		
13	33411020	1	Seal		
14	33311013	1	O-Ring D. 15X2		
15	33411019	1	Seal		
17	33811001	1	Body,Water Pump [NP]		
18	33411017	1	Pin,Dowel		



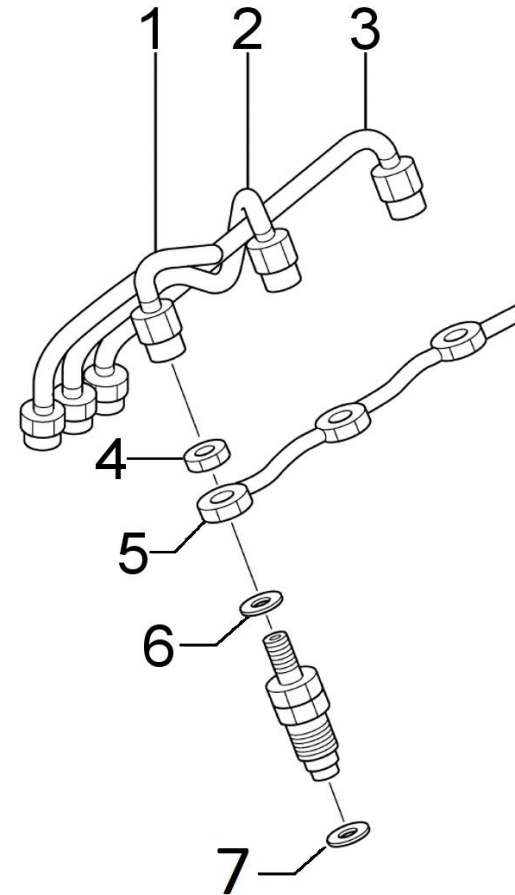
[NP] Not provided



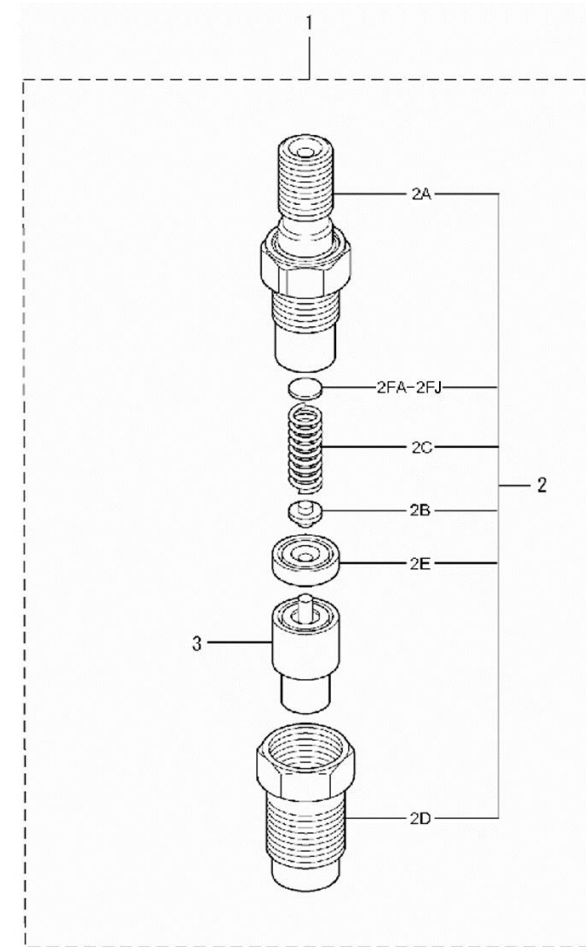
37611000 Splined Pump 1/2" MINI-11/17/29/33/44					
FIG.	REF.	QTY	DESCR.	FROM	UPTO
1	54102154	3	Bolt DIN 933 M6-10 INOX		
2	37611002	1	Cover Pump		
3	37611003	1	O-Ring D. 57x1,5		01/06/2022
4	31211008	1	1/2" Impeller		
5	37611026	1	Plate, Friction		
6	33811010	1	Shaft, Water Pump		
7	33411019	1	Seal		
8	33311013	1	O-Ring D. 15X2		
9	37611001	1	Body, Water Pump 1/2"		
10	33411020	1	Seal		
11	33411014	2	Ball Bearing 6002-C3		
12	33811015	1	Spacer		
13	53041032	1	CIRClip DIN 472 I-32		



D_GB01_4_1		Fuel Pipe				
FIG.	REF.	QTY	DESCR.	FROM	UPTO	
1	13824015.1	1	Pipe Injection N.1			
2	13824016.1	1	Pipe Injection N.2			
3	13924019.1	1	Pipe Injection N.3			
4	13824024	3	Nut			
5	13924026	1	Tube gasoil SPILL			
6	17424025G.1	3	Gasket Fuel Return (Genset)			
7	13824013	3	Injector Washer			



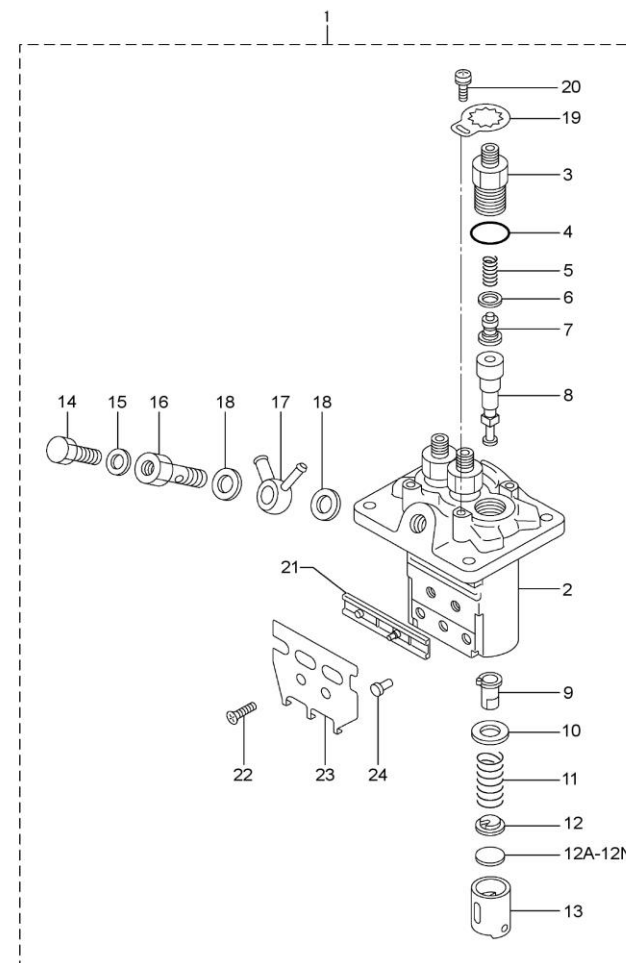
D_GB01_4_2		Injection Nozzle				
FIG.	REF.	QTY	DESCR.	FROM	UPTO	
1	13826001	3	Nozzle & Holder A			
2	13824013	3	Injector Washer			
2A	(*)	3	Not available [NP]	01/01/2016		
2B	13826003	3	Pin Pressure			
2C	17226004	3	Spring, Pressure [NP]			
2D	13826006	3	Nut RETAINING			
2E	13826007	3	PIECE DISTANCE		07/01/2020	
2FA	13826010	0	Washer 1,25 [VAR]			
2FB	13826011	0	Washer 1,30 [VAR]			
2FC	13826012	0	Washer 1,35 [VAR]			
2FD	13826013	0	Washer 1,40 [VAR]			
2FE	13826014	0	Washer 1,45 [NP] [VAR]			
2FF	13826015	0	Washer 1,50 [VAR]			
2FG	13826016	0	Washer 1,55 [VAR]			
2FH	13826017	0	Washer 1,60 [VAR]			
2FI	13826019	0	Washer 1,65 [VAR]			
2FJ	13826020	0	Washer 1,70 [VAR]			
3	13826018	3	Nozzle Assy			



[NP] Not provided

[VAR] Variable according to repair

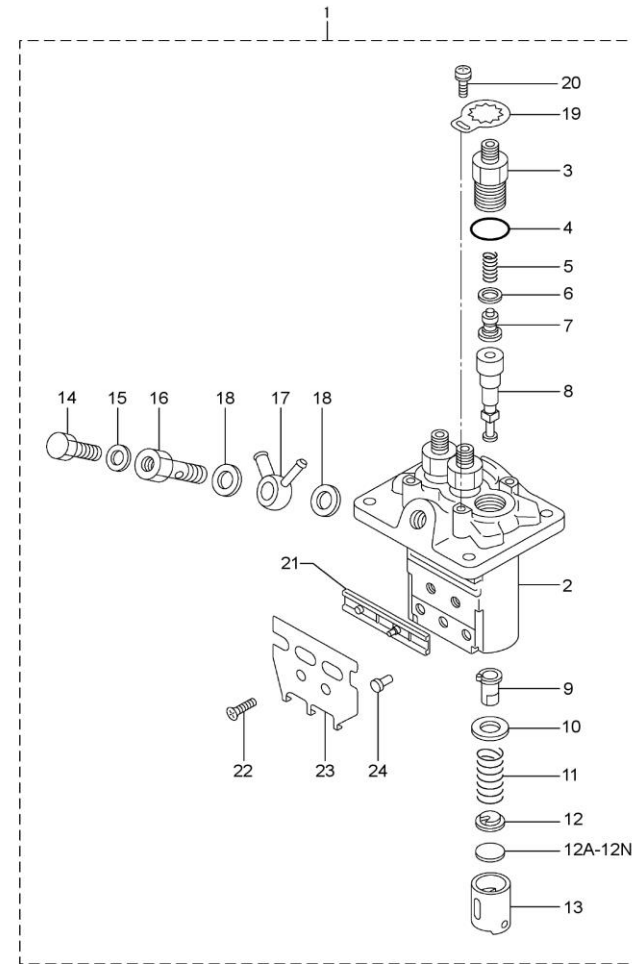
D_GB01_4_3		Fuel Injection Pump																																																																																												
FIG.	REF.	QTY	DESCR.	FROM	UPTO																																																																																									
1	13925001G	1	Pump Assy,Fuel Injection																																																																																											
2	13925005	1	Housing SUB Assy																																																																																											
3	13825004	3	Holder																																																																																											
4	13825033	3	O-Ring D. 15X1,8																																																																																											
5	13825002	3	Spring [NP]																																																																																											
6	13125007	3	Gasket DELIVERY V																																																																																											
7	13825008.1	3	Valve SUB Assy																																																																																											
8	13825009	3	Element SUB Assy																																																																																											
9	13825010	3	SLEEVE SUB Assy																																																																																											
10	13825011	3	Seat																																																																																											
11	13825012	3	Spring																																																																																											
12	13825013	3	Seat																																																																																											
12A	13925015G	0	Plate Tappet Shim 1,85 [VAR]																																																																																											
12B	13825016G	0	Plate Tappet Shim 1,90 [VAR]																																																																																											
12C	13925017G	0	Plate Tappet Shim 1,95 [VAR]																																																																																											
12D	13925018G	0	Plate Tappet Shim 2,00 [VAR]																																																																																											
12E	13925019G	0	Plate Tappet Shim 2,05 [VAR]																																																																																											
12F	13925020G	0	Plate Tappet Shim 2,10 [VAR]																																																																																											
12G	13925021G	0	Plate Tappet Shim 2,15 [VAR]																																																																																											
12H	13925022G	0 <td Plate Tappet Shim 2,20 [VAR]			12I	13925023G	0	Plate Tappet Shim 2,25 [VAR]			12J	13925024G	0	Plate Tappet Shim 2,30 [VAR]			12K	13925025G	0	Plate Tappet Shim 2,35 [VAR]			12L	13925026G	0	Plate Tappet Shim 2,40 [VAR]			12M	13925027G	0	Plate Tappet Shim 2,45 [VAR]			12N	13925028G	0	Plate Tappet Shim 2,50 [VAR]			13	13825021	3	TAPPET Assy			14	13825026	1	Screw Air			15	13825025	1	Washer,DRAIN Screw			16	13825027	1	Screw HOLLOW			17	17325029.3	1	Nipple Swivel			18	13825061	2	Washer			19	13825030	3	Plate Set			20	13825028.1	3	Screw,W/Washer [NP]			21	17625006.4	1	RACK Assy Control		
12I	13925023G	0	Plate Tappet Shim 2,25 [VAR]																																																																																											
12J	13925024G	0	Plate Tappet Shim 2,30 [VAR]																																																																																											
12K	13925025G	0	Plate Tappet Shim 2,35 [VAR]																																																																																											
12L	13925026G	0	Plate Tappet Shim 2,40 [VAR]																																																																																											
12M	13925027G	0	Plate Tappet Shim 2,45 [VAR]																																																																																											
12N	13925028G	0	Plate Tappet Shim 2,50 [VAR]																																																																																											
13	13825021	3	TAPPET Assy																																																																																											
14	13825026	1	Screw Air																																																																																											
15	13825025	1	Washer,DRAIN Screw																																																																																											
16	13825027	1	Screw HOLLOW																																																																																											
17	17325029.3	1	Nipple Swivel																																																																																											
18	13825061	2	Washer																																																																																											
19	13825030	3	Plate Set																																																																																											
20	13825028.1	3	Screw,W/Washer [NP]																																																																																											
21	17625006.4	1	RACK Assy Control																																																																																											



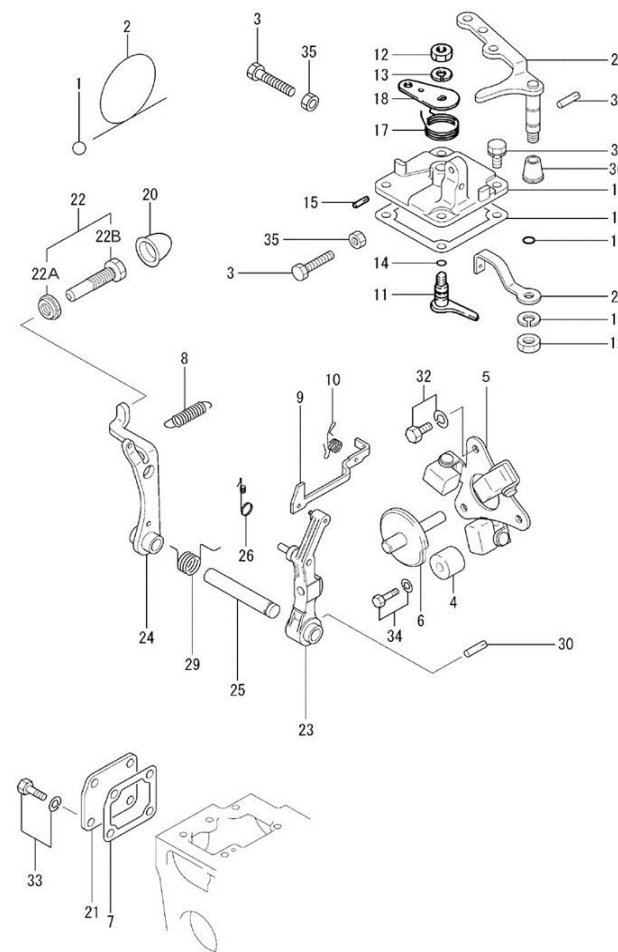
[NP] Not provided

[VAR] Variable according to repair

D_GB01_4_3		Fuel Injection Pump			
FIG.	REF.	QTY	DESCR.	FROM	UPTO
22	13825062	2	Screw		
23	13925063	1	Bracket Stop Wire		
24	13925034G	3	Pin Tappet Guide		



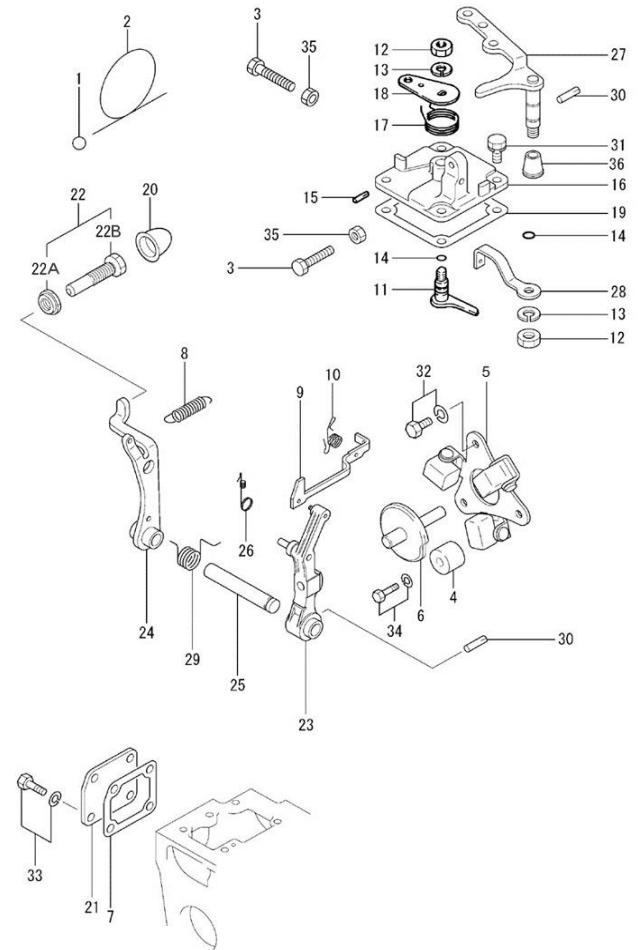
D_GB01_4_4		Governor Parts		
FIG.	REF.	QTY	DESCR.	FROM UPTO
1	17623020.4	1	Metal,Fuel	02/08/2017
2	13123019	1	Metal Sealing	
3	13123017	2	Bolt High Speed	
4	13723005	1	Stopper	
5	13823001G.1	1	WEIGHT Assy,GOverNOR (Generator)	
6	60530009	1	Shaft Assy,sliding	
7	13823014	1	Gasket Tie Rod CO	
8	60539015G	1	Spring,Governor (Generator)	
9	13923005	1	ROD TIE	
10	13823028	1	Spring, Tie Rod	
11	13823026	1	Lever Assy Stop	
12	17223030	1	Nut	
13	53033008	1	Washer GROWER DIN 127-8	
14	13123021	1	O-Ring D. 7X1.8	
15	13823031	1	Pin GROOVED (3X14	
16	13923032G	1	Cover,GOverNOR	
17	13823030	1	Spring Return	
18	13823029	1	Lever Stop	
19	13823033	1	Gasket Governor Cover	
20	13823042	1	Cap TORQUE Set SE	
21	13823043	1	Cover TIE ROD	
22	(*)	1	Not available [NP]	
22A	17223035	1	Nut	
22B	13823034	1	RACK Set Screw (new)	
23	13823003	1	Lever Assy Governor	
24	13823007	1	Lever Assy TENSIO	
25	13823006	1	Shaft Governor	
26	13823044	1	Spring TIE ROD	
27	13823008	1	Lever Assy SPEED	
28	13823027	1	Lever Governor SP	
29	13823036	1	Spring START	
30	13823009	2	Pin GROOVED	
31	52102155	4	Bolt DIN 933 M6-12 8.8	
32	13821033.1	2	Bolt,W/Washer	
33	17620054	4	Bolt	



[NP] Not provided

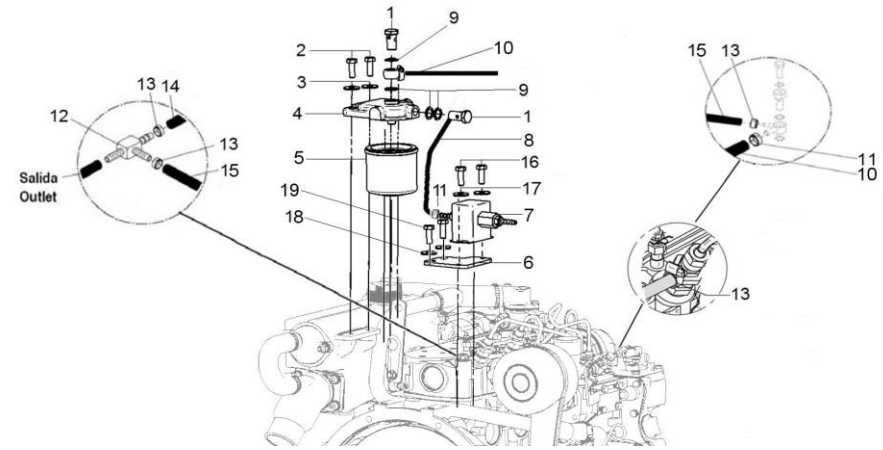


D_GB01_4_4		Governor Parts			
FIG.	REF.	QTY	DESCR.	FROM	UPTO
34	13923011G	1	Bolt,W/Washer		
35	17223032	2	Nut		
36	17623045	1	Cover,Governor Shaft		



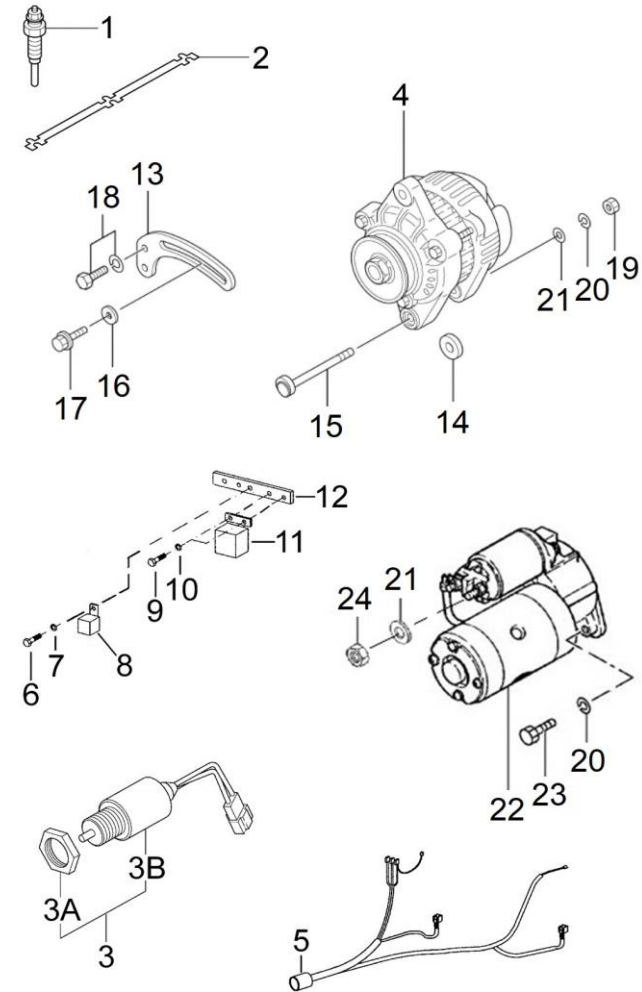


D_GB01_4_5		Fuel Supply Parts			
FIG.	REF.	QTY	DESCR.	FROM	UPTO
1	12814051	2	Screw,eye		
2	52102258	2	Bolt DIN 933 M8-25 8.8		
3	51031008	2	Washer DIN 9021 8		
4	13114120	1	Cover,filter f/.SMI		
5	13114022	1	Fuel Filter Element from MINI 10 to 55		
6	60539018	1	Bracket		
7	13814070	1	Electric Fuel Feed Pump 12V		
<i>Figure A for 12V System</i>					
7A	13814072	2	Straight Hose Connector 1/8" NPTF		
7B	57000361	2	Washer 10-14-1,5		
8	13914015	1	Pipe		
9	57000369	4	Washer 14,2-20-1,5		
10	17614027	1	Hose		
11	51086016	2	ONE EAR Clamp With INTERIOR Ring 14-16,3		
12	17614028	1	Bypass "T"		
13	51086010	4	One Ear Clamp With Interior Ring 10-11,5		
14	17614026	1	0,04 M. Hose		
15	17214025	1	0,31 M. Hose		
16	52102153	2	Bolt DIN 933 M6-8 8.8		
17	51030006	2	Washer DIN 125-6		
18	53033010	2	Washer GROWER DIN 127-10		
19	52202307	2	Bolt DIN 933 M10-1,25-20 8.8		
NS	60900126	1	TERMINAL [NS]		



[NS] Not shown

D_GB01_5_5		12V Electrical Wiring 12V			
FIG.	REF.	QTY	DESCR.	FROM	UPTO
1	13827017	3	Plug,Glow		
2	17627018.4	1	Plate Glow Plug		
3	17324026G	1	SOLENOID, Assy		
3A	13425029	1	Nut (old)		
3A	17224100R	1	Kit Injection Pipes 2nd Wall		
3B	13824021G	1	Reloy Stop		
4	13827210	1	Alternator 12V/40A		
5	60939501.1	1	MINI-26 ETR Electrical Wiring Genset		
6	52102153	1	Bolt DIN 933 M6-8 8.8		
7	51030006	1	Washer DIN 125-6		
8	18217005	1	Relay 12V 12-100		
9	52102104	2	Bolt DIN 933 M5-10 8.8		
10	51030005	2	Washer DIN 125-5		
11	13827005	1	Glow Relay		
12	13917001	1	Support,relay		
13	13827207	1	BRACE		
14	13827006	1	Spacer Generator		
15	13727008	1	Bolt ALT.		
16	51031008	1	Washer DIN 9021 8		
17	13827012	1	Bolt		
18	17620054	1	Bolt		
19	17427053G.1	1	Bolt Set (Generator)		
20	53033008	3	Washer GROWER DIN 127-8		
21	51030008	2	Washer DIN 125-8		
22	13827002.1	1	Starter Assy 12 V		
23	52102259	2	Bolt DIN 933 M8-30 8.8		
24	52120008	1	Nut DIN 934 M8 8.8		
NS	60900028	2	Diode 25A. DS-1712A [NS]		



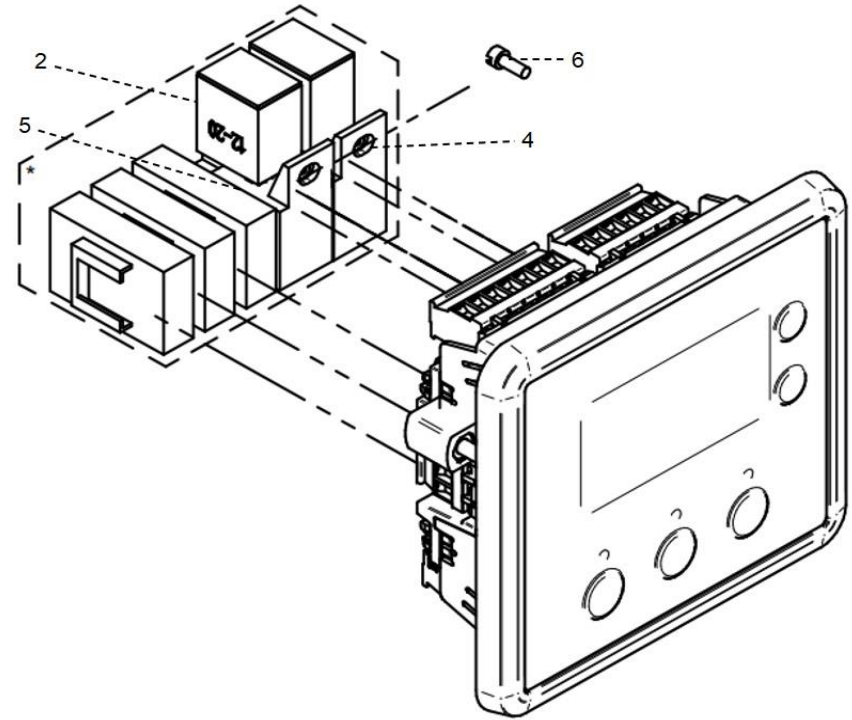
[NS] Not shown



D_MI26GSTST_05_5 Panels for Genset						
FIG.	REF.	QTY	DESCR.	FROM	UPTO	
1A	61939230S	1	Panel SC05 7 GSC 12V 230V			
1A	61939240T.18S	1	Panel SCO 5 10 GTAC 12V 240V			
1B	61939240.18S	1	Panel SCO 5 8 GSAC 12V 240V			
1B	61939480.18S	1	Panel SCO 5 10 GTAC 12V 480/277V			
1C	61939230TS	1	Panel SCO 5 8 GTC 12V 230V			
1D	61939400S	1	Panel SCO 5 8 GTC 12V 400/230V			



D_PANELGRUP02_01 Panel Components for Genset						
FIG.	REF.	QTY	DESCR.	FROM	UPTO	
2A	60900091	4	MICRO Relay 12V 12-20			
<i>Figure A for 12V System</i>						
2B	60900092	4	MICRO Relay 24V 24-10			
<i>Figure b for 24V System</i>						
4	51030005	2	Washer DIN 125-5			
5	61900001	1	Rail Guide For Modular Micro Relay Holder - Fusible Holder		29/03/2023	
5	61900002	1	Rail Guide For Modular Micro Relay Holder - Fusible F		29/03/2023	
6	51918054	2	Bolt DIN 7981C 3,5-9,5			
NS	60972112	1	Wiring BRIDGE MONOF. Panel COMAP [NS]			
NS	60972123	1	Electrical System Back Panel SCO 5 [NS]			
NS	61972124	1	SCO 5 Panel Screw Bracket [NS]			



[NS] Not shown

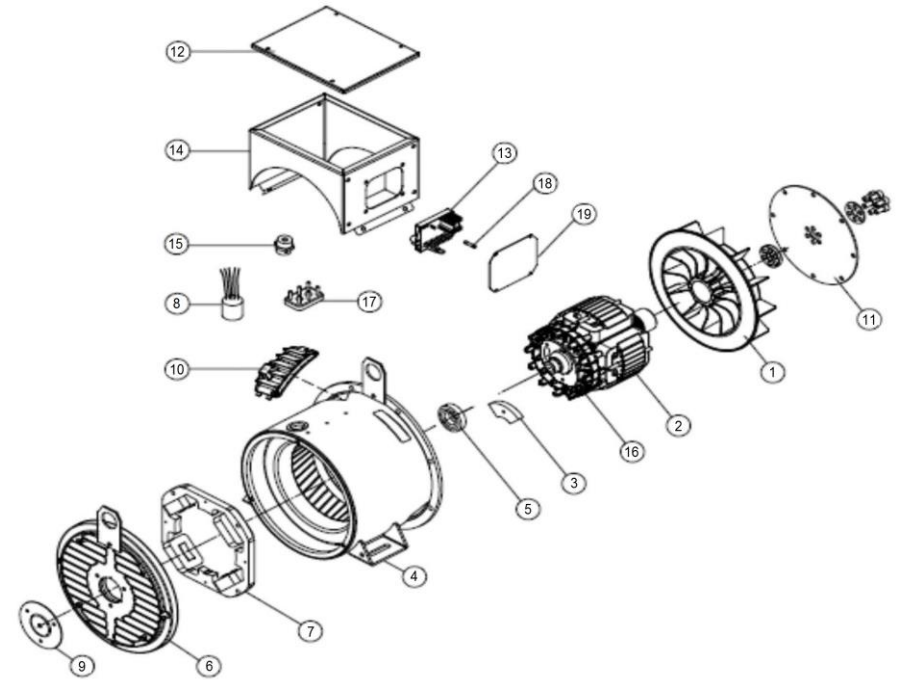
D_W1C1_1_1		Genset Extension				
FIG.	REF.	QTY	DESCR.	FROM	UPTO	
1A	60938210I	1	Genset Wiring Ext. 3 M. CPC			
1B	60985210I	1	Genset Wiring Ext. 4 M. CPC			
1C	60938221	1	Genset Wiring Ext. 6 M. CPC			
1D	60938212	1	Genset Wiring Ext. 8 M. CPC			
1E	60985210.12I	1	Genset Wiring Ext. 12 M. CPC			
1F	60985210.18I	1	Genset Wiring Ext. 18 M. CPC			
1G	60985210.24I	1	Genset Wiring Ext. 24 M. CPC			
1H	60985210.30I	1	Genset Wiring Ext. 30 M. CPC			
1I	60974552	1	3-way Wiring Wxtension for Auxiliary Kits 4 m			
1J	60900165	1	3-way Wiring Extension for Auxiliary Kits 6 m			
1K	60900166	1	3-way Wiring Extension for Auxiliary Kits 12 m			
1L	60900167	1	3-way Wiring Extension for Auxiliary Kits 24 m			
1M	60972104	1	Double Panel SCO 12 M. Harness			
1N	60972105	1	Double Panel SCO 24 M. Harness			
1O	60972110	1	Double Panel SCO 36 M. Harness			
1P	60972145	1	Double Panel SCO 45 M. Harness			



D_MI26GTST_06_1		Alternator 8 GT/GTC Y 10 GTA/GTAC			
FIG.	REF.	QTY	DESCR.	FROM	UPTO
1A	60511308SRC	1	AI.SINCRO III 8,5KVA 1500 400/230V (RC)		
1B	60511308SRS	1	AI.SINCRO III 8,5KVA 1500 400/230V (RS)		
1B	60511309SRC	1	AI.SINCRO III 11KVA 1800 480/277V (RC)		
1C	60511309SRS	1	AI.SINCRO III 11KVA 1800 480/277V (RS)		
1D	60511310SRC	1	AI.SINCRO III 8,5KVA 1500RPM 230V (RC)		
1E	60511310SRS	1	AI.SINCRO III 8,5KVA 1500RPM 230V (RS)		

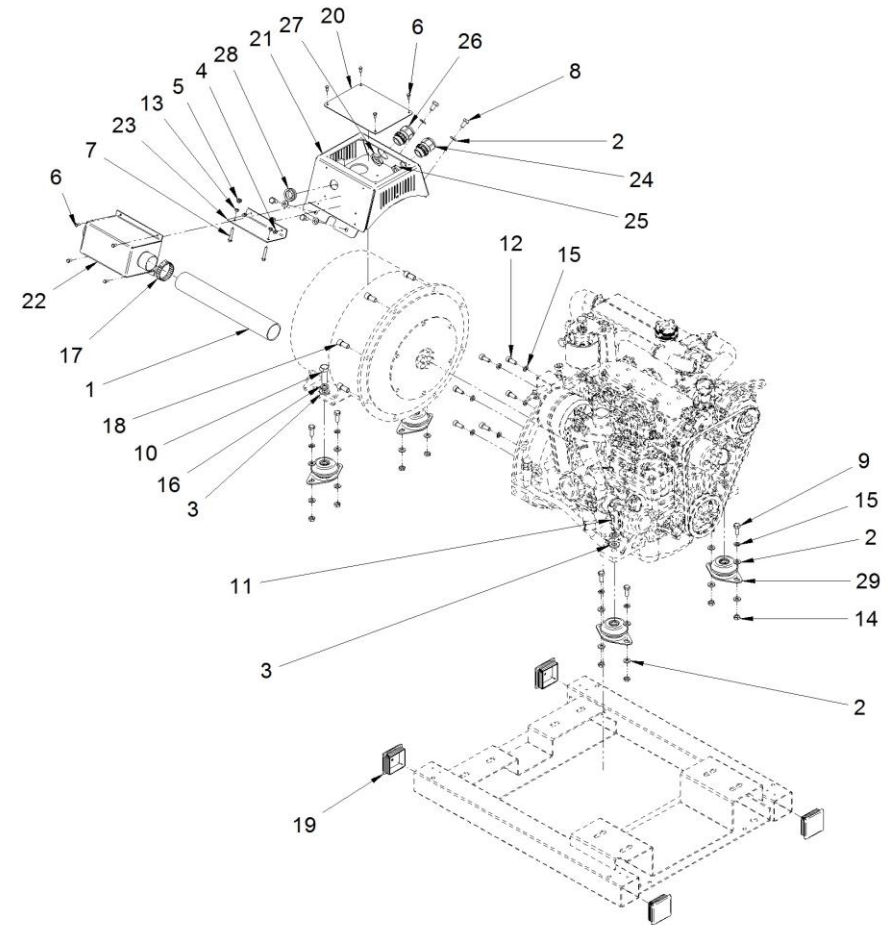


D_605111309S		3 Phase SINCR0 ALT. Genset Kit (C)			
FIG.	REF.	QTY	DESCR.	FROM	UPTO
1	60511107S.1	1	Fan SK160S-, C-, M- 4P		
2	(*)	2	Not available [NP]		
3	60511107S.3	1	Diode Bridge		
5	60511107S.5	1	Bearing 6206 2RS/C3 [NP]		
6	60511107S.13	1	Rear Shield		
7	60511107S.25	1	Exciter Stator SK160S- [NP]		
8	60511308S.1	1	EMC Filter SK160S-, C-, M- [NP]		
9	60511107S.26	5	Rear Shield Cover [NP]		
10	60511107S.10	5	IP23 Grid [NP]		
11	60511107S.27	1	SAE Kit Disk 6,5"		
12	60511107S.12	1	Top Cover SK160S-, C-, M-		
13	60511107S.35.1	1	Electronic Board AVR BL4 U		
14	60511107S.28	1	Terminal Box SK160S-, C-, M- Boîte [NP]		
16	60511107S.15	1	M6 Insulator Clamp		
16	60511107S.16	1	M8 Insulator Clamp		
16	60511107S.29	1	Exciter Rotor SK160S- 4P [NP]		
17	60511107S.18	1	M6 Terminal Board		
17	60511107S.19	1	M8 Terminal Board [NP]		
18	60511107S.20	10	Fuse 5x20 3,15A F [NP]		
19	60511107S.21	1	Cover on Regulator Side [NP]		
20	UMSINCR01	1	SINCR0 SK160 Special Tool		



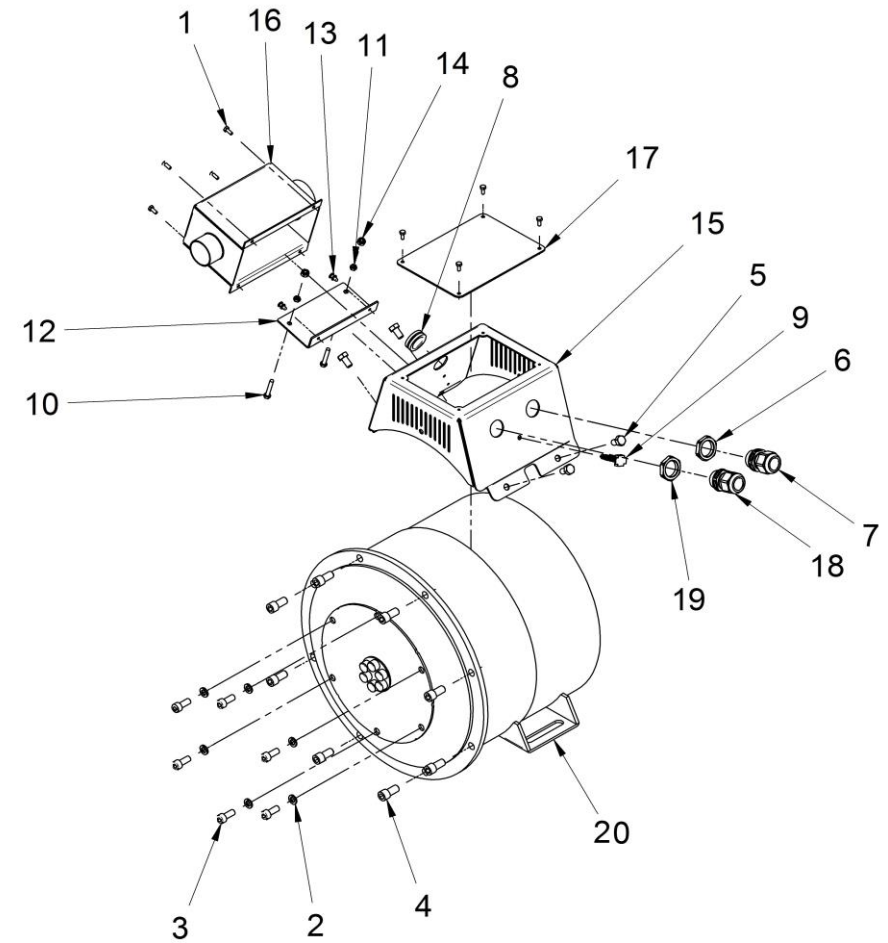
[NP] Not provided

D_60539065 Alternator Kit Without Canopy						
FIG.	REF.	QTY	DESCR.	FROM	UPTO	
1	M88564500	0,4	Air Aspiration Hose D. 45			
2	51030008	20	Washer DIN 125-8			
3	51030012	4	Washer DIN 125-12			
5	51123005	4	Nut DIN 985 M5 5.6			
6	52102054	8	Bolt DIN 933 M4-10 8.8			
7	52102110	2	Bolt DIN 933 M5-30 8.8 CINCADO			
8	52102256	4	Bolt DIN 933 M8-16 8.8			
9	52102257	8	Bolt DIN 933 M8-20 8.8			
10	52102359	2	Bolt DIN 933 M12-30 8.8			
11	52102360	2	Bolt DIN 933 M12-35 8.8			
12	52103257	6	Bolt DIN 912 M8-20 8.8			
13	52120005	2	Nut DIN 934 M5 8.8			
14	52120008	8	Nut DIN 934 M8 8.8			
15	53033008	14	Washer GROWER DIN 127-8			
16	53033012	4	Washer Grower DIN 127-12			
17	54082032	2	Clamp DIN 3017 32-50/12 W4			
18	60539017	8	ALT. SINCRO FASTENING Bolt			
19	60539019	1	LID (60 Tube)			
20	60539024	1	REGULATOR LID			
21	60539041.49	1	Terminals Protection Plate			
22	60573041.71	1	REGULATOR Bracket Box			
23	60573041.72	1	VOLT REGULATOR Bracket Box			
24	60900306	1	Connector Press CAPTOR-2000 M25 RAL7001			
25	60900309	1	Screw Connector Press Captor-2000 M25			
26	60900310	1	Connector Press CAPTOR-2000 M32 RAL7001			
27	60900311	1	Screw Connector Press Captor-2000 M32			
28	60900517	1	Cover,wiring			
29	61638001	4	Engine Mount Type F 50 SHA M12 H 34			
NS	52120006	1	Nut DIN 934 M6 8.8 [NS]			
NS	53104257	4	Bolt DIN 7984 M8-20 12.9 [NS]			
NS	58018160	1	Screw [NS]			
NS	58088284	1	Pastic Cable Zip Tie [NS]			
NS	60511112S.81	2	16 mm Hexagon Plug [NS] [NP]			
NS	60900158	1	Terminal Tubular Sleeve (1.5) [NS]			
NS	TR.1.5.6	4	Ring Terminal 1.5 Sec. [NS]			



[NP] Not provided
 [NS] Not shown

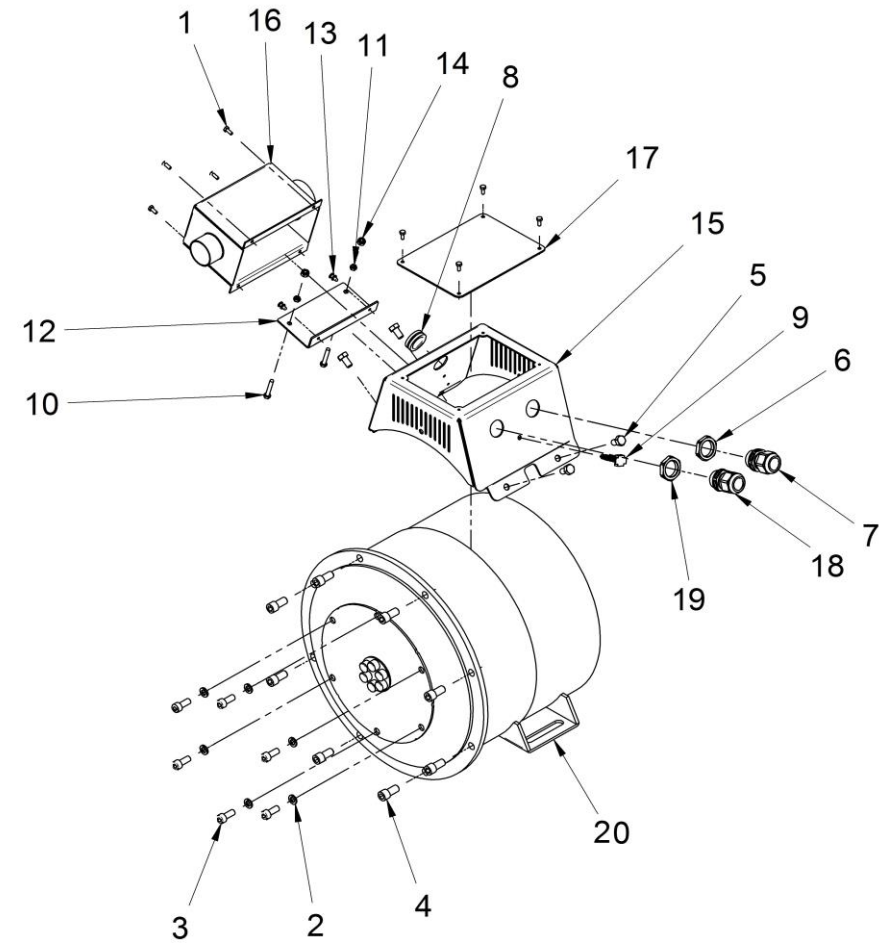
D_60539064 Alternator Kit With Canopy 400/230V y 480/277V					
FIG.	REF.	QTY	DESCR.	FROM	UPTO
1	52102054	8	Bolt DIN 933 M4-10 8.8		
2	53033008	6	Washer GROWER DIN 127-8		
3	52103257	6	Bolt DIN 912 M8-20 8.8		
4	60539017	8	ALT. SINCRO FASTENING Bolt		
5	52102256	4	Bolt DIN 933 M8-16 8.8		
6	60900309	1	Screw Connector Press Captor-2000 M25		
7	60900306	1	Connector Press CAPTOR-2000 M25 RAL7001		
8	60900517	1	Cover,wiring		
9	58018160	1	Screw		
10	52102110	2	Bolt DIN 933 M5-30 8.8 CINCADO		
11	52120005	2	Nut DIN 934 M5 8.8		
12	60573041.72	1	VOLT REGULATOR Bracket Box		
13	51058054	2	Aluminium Rivet 4.0 X 10		
14	51123005	2	Nut DIN 985 M5 5.6		
15	60539041.49	1	Terminals Protection Plate		
16	60571043.71	1	Regulatory Support Box		
17	60539024	1	REGULATOR LID		
18	60900310	1	Connector Press CAPTOR-2000 M32 RAL7001		
19	60900311	1	Screw Connector Press Captor-2000 M32		
20	60511308S	1	AL.SINCRO III 8,5KVA 1500RPM 400/230V [NP]		
NS	54082032	2	Clamp DIN 3017 32-50/12 W4 [NS]		
NS	58088285	2	Pastic Cable Zip Tie [NS]		
NS	60939085	1	FOUR Poles 10A DISConnector [NS]		
NS	60972072A	1	N BLUE Breaker TO ALT. SYStem [NS]		
NS	60972072G	1	W GRAY Breaker TO ALT. SYStem [NS]		
NS	60972072M	1	V BROWN Breaker TO ALT. SYStem [NS]		
NS	60972072N	1	U BLACK Breaker TO ALT. SYStem [NS]		



[NP] Not provided

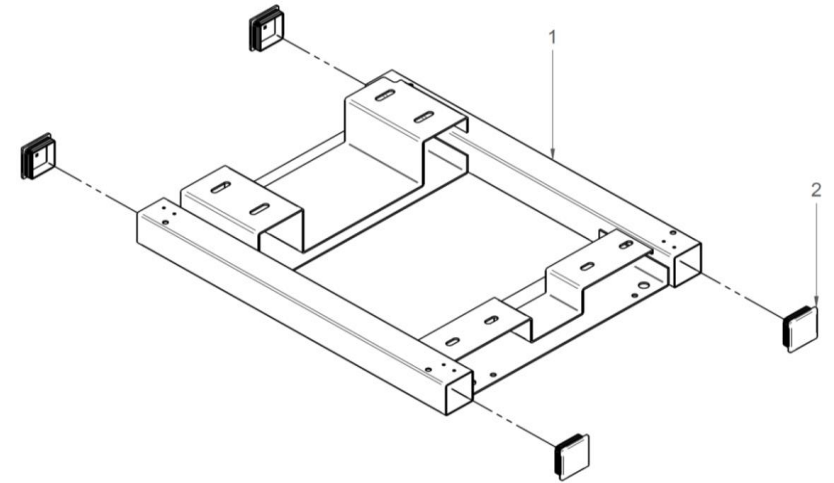
[NS] Not shown

D_60539066 Alternator Kit With Canopy 230V y 240V						
FIG.	REF.	QTY	DESCR.	FROM	UPTO	
1	52102054	8	Bolt DIN 933 M4-10 8.8			
2	53033008	8	Washer GROWER DIN 127-8			
3	52103257	8	Bolt DIN 912 M8-20 8.8			
4	60539017	8	ALT. SINCRO FASTENING Bolt			
5	52102256	4	Bolt DIN 933 M8-16 8.8			
6	60900309	1	Screw Connector Press Captor-2000 M25			
7	60900306	1	Connector Press CAPTOR-2000 M25 RAL7001			
8	60900517	1	Cover,wiring			
9	58018160	1	Screw			
10	52102110	2	Bolt DIN 933 M5-30 8.8 CINCADO			
11	52120005	2	Nut DIN 934 M5 8.8			
12	60573041.72	1	VOLT REGULATOR Bracket Box			
13	51058054	1	Aluminium Rivet 4.0 X 10			
14	51123005	2	Nut DIN 985 M5 5.6			
15	60539041.49	1	Terminals Protection Plate			
16	60571043.71	1	Regulatory Support Box			
17	60539024	1	REGULATOR LID			
18	60900310	1	Connector Press CAPTOR-2000 M32 RAL7001			
19	60900311	1	Screw Connector Press Captor-2000 M32			
20	60511308S	1	AL.SINCRO III 8,5KVA 1500RPM 400/230V [NP]			
NS	54082032	2	Clamp DIN 3017 32-50/12 W4 [NS]			
NS	58088285	2	Pastic Cable Zip Tie [NS]			
NS	60939087	1	Disconnecter 20A 3 poles [NS]			
NS	60972072A	1	N BLUE Breaker TO ALT. SYStem [NS]			
NS	60972072G	1	W GRAY Breaker TO ALT. SYStem [NS]			
NS	60972072M	1	V BROWN Breaker TO ALT. SYStem [NS]			
NS	60972072N	1	U BLACK Breaker TO ALT. SYStem [NS]			



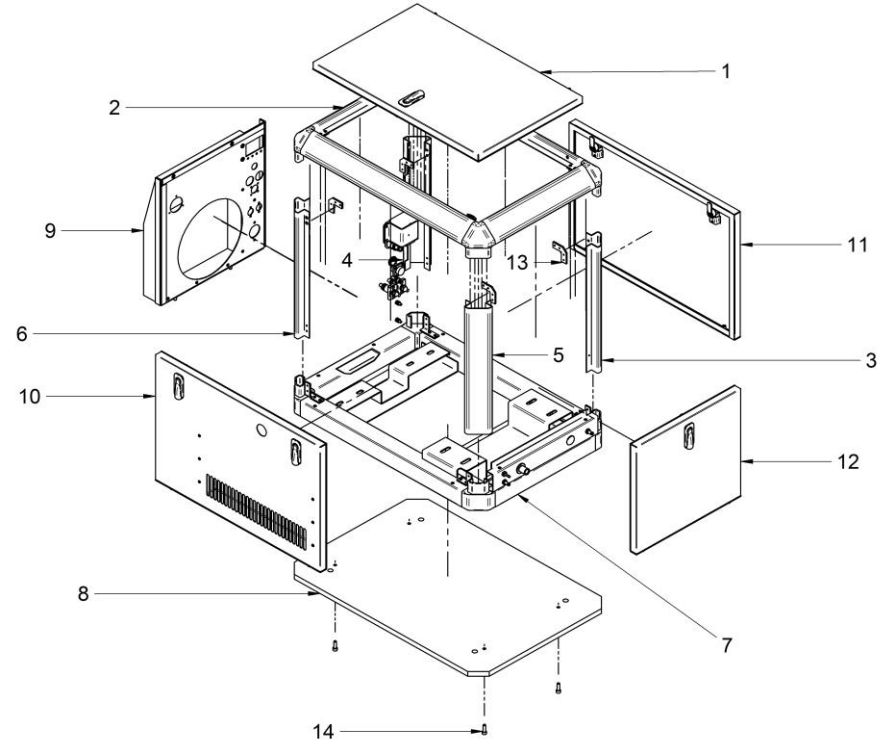
[NP] Not provided
 [NS] Not shown

D_60539041.01		Genset Chassis				
FIG.	REF.	QTY	DESCR.	FROM	UPTO	
1	60539041.01	1	Genset CHASSIS			
2	60539019	4	LID (60 Tube)			



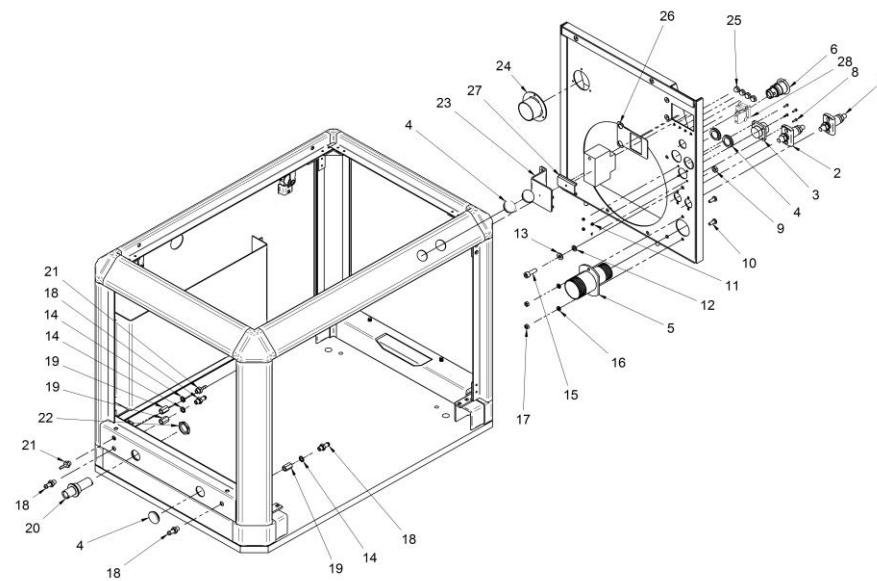


D_60539041 Soundproof Cabin Group MI26						
FIG.	REF.	QTY	DESCR.	FROM	UPTO	
1	60539041.20	1	Upper Panel			
2	60539041.30	1	Upper FRAME			
3	60539041.03	1	VERTICAL BAR			
4	60539041.04	1	VERTICAL BAR			
5	60539041.31	1	VERTICAL BAR			
6	60539041.32	1	VERTICAL BAR			
7	60539041.63	1	Bottom Frame			
8	60539041.10	1	BASEBOARD			
9	60539041.25	1	Back Panel			
10	60539041.22	1	Air Output Panel			
11	60539041.21	1	Side Panel			
12	60539041.24	1	FrontAL Panel			
13	60573041.43	4	L Fastening Bracket			
14	52103258	4	Bolt DIN 912 M8-25 8.8			





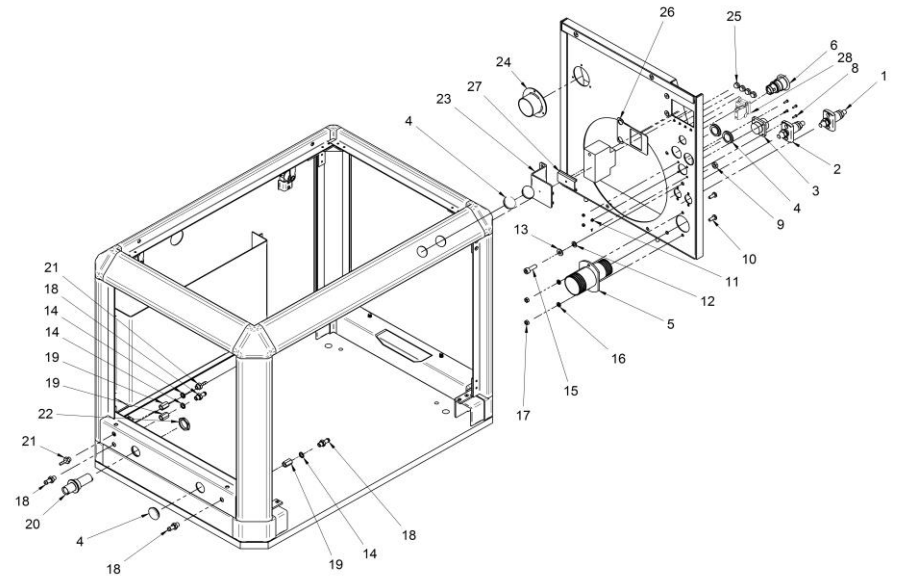
D_60539059		Kit Cabin Alt.SINCRO			
FIG.	REF.	QTY	DESCR.	FROM	UPTO
1	60573047	1	Battery Plug IN		
2	60573048	1	Battery Plug IN		
3	60939501	1	MINI-26 Electrical Wiring Genset		
4	60900502	5	Shutter 27		
5	60539022	1	Exhaust Wall Bushing D.50-40		
6	60900510	1	Emergency Stop PUSH BOTTOM		
8	54118004	4	Bolt DIN 7985 M3-10 INOX		
9	54120008	1	Nut DIN 934 M8		
10	54118156	2	Bolt DIN 7985 M6-16 INOX		
11	52120003	4	Nut DIN 934 M3 8.8		
12	53038008	1	Washer DIN 6798-A 8		
13	51030008	2	Washer DIN 125-8		
14	57000361	3	Washer 10-14-1,5		
15	54103258	1	Bolt DIN 912 M8-25 INOX.		
16	53033006	2	Washer GROWER DIN 127-6		
17	54120006	2	Nut DIN 934 M6 INOX		
18	13814072	4	Straight Hose Connector 1/8" NPTF		
19	60573041.39	3	ROD Coupling 1/8 BSP		
20	60572014	1	Water Wall Bushing D.20		
21	60571041.39	2	Gasoil Wall Bushing D.6 MALE		
22	60572014.1	1	3/4" GAS Nut		
23	60573041.42	1	L FASTENING Bracket With OMEGA		
24	60573041.46	1	Air Connection D.50		
25	60900509	2	Shutter 6		
26	60572041.70	1	Genset Switch Disconnecter Bracket [NP]		
27	60573041.62	1	Switch Disconnecter Omega Bracket		
28	60900511	1	Stop PUSH BOTTOM Body		
NS	51058054	22	Aluminium Rivet 4.0 X 10 [NS]		
NS	60972074	1	0,44 M. Back Panel To Alt. Wiring Ground [NS]		
NS	60972076	1	0,36 M. CHASSIS TO MOTOR Wiring GROUND [NS]		
NS	60972090	2	TER. PROTECTIVE 20 RED [NS]		
NS	60972091	2	TER. PROTECTIVE 20 BLACK [NS]		
NS	60972094	1	TER. PROTECTIVE 28 RED [NS]		
NS	60973048	1	BLACK Battery NEGATIVE Wiring [NS]		
NS	60973049	1	RED Battery POSITIVE Wiring [NS]		



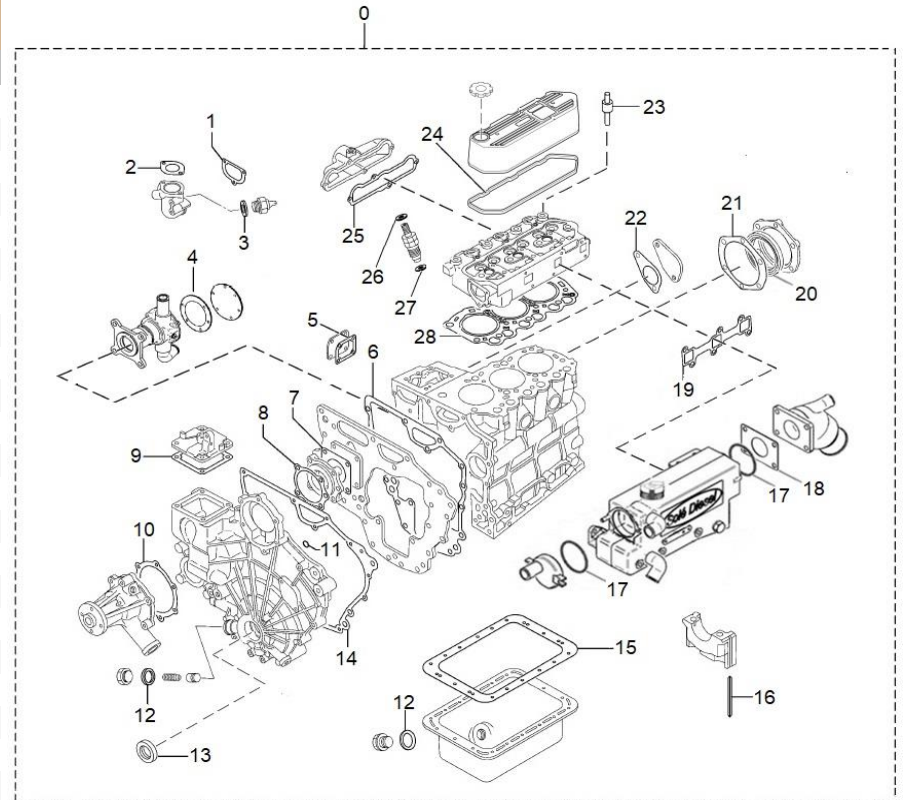
[NP] Not provided
 [NS] Not shown



D_60539059		Kit Cabin Alt.SINCRO			
FIG.	REF.	QTY	DESCR.	FROM	UPTO
NS	CAP.FLEXI0048	1	Rubber Cap D. 4.8 X 13 [NS] [NP]		
NS	CAP.FLEXI0064	2	Rubber Cap D. 6,4x13 [NS] [NP]		
NS	M80501006	0,87	Hose D.10-6 [NS] [NP]		
NS	M81510817	0,84	Fuel Hose D. 8-17 [NS]		
NS	M86500512	1,04	Fuel Hose DIN 73379 D. 5-11 [NS]		
NS	M87501927	0,45	Water Intake Hose (HQ) D. 19-27 [NS]		
NS	M88505062	0,36	Exhaust Hose D. 51 [NS]		
NS	M88564000	0,35	Air Aspiration Hose D. 40 [NS]		
NS	M88564500	0,35	Air Aspiration Hose D. 45 [NS]		
NS	M88565000	0,08	Air Aspiration Hose D. 50 [NS]		



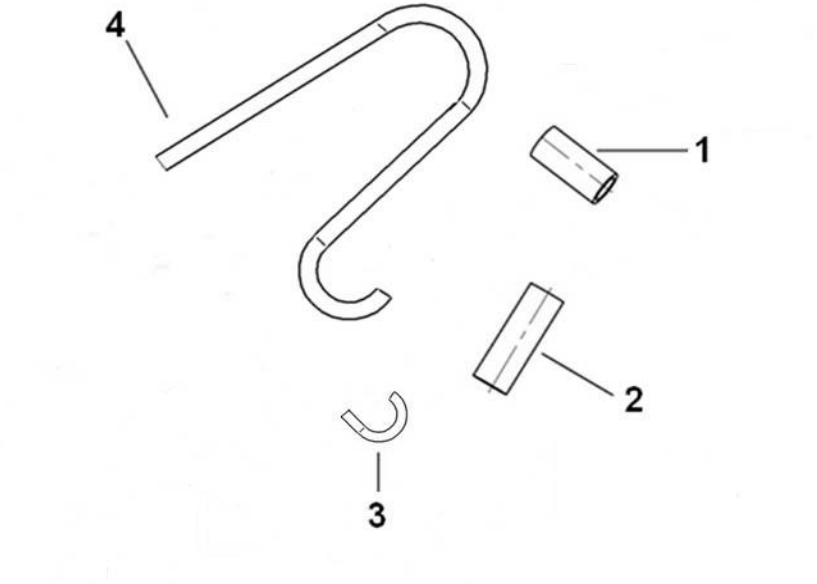
D_13920101		Gasket Kit			
FIG.	REF.	QTY	DESCR.	FROM	UPTO
0	13920101	1	Kit Gasket		
1	17621033.4	1	Gasket Thermostat		25/03/2020
3	MH594601601	1	Washer [NP]		
4	31211003	1	Gasket Cover		
5	13823014	1	Gasket Tie Rod CO		
6	13820018	1	Gasket Front Plate		
7	13120047	1	Gasket Water Pump		
8	13820038	1	Gasket Housing		
9	13823033	1	Gasket Governor Cover		
10	13821022	1	Gasket Water Pump		
11	13820044	2	O-Ring D. 11X2,5		
12	56000077	2	Washer 18-23-1,5		
13	13820039	1	Oil Seal		
14	13820040	1	Gasket Gear Case		
16	13820002	4	Seal Side		
17	13811007	2	O-Ring D. 57X2,5		
18	17613014	1	Gasket		
19	17621043	1	Gasket		
20	13820008	1	Seal Oil		
21	13820016	1	Gasket Oil Seal C		
22	17620012.4	1	Gasket Cover		
23	13222054	6	Seal Valve Stem		
24	13921010	1	Gasket Rocker Cover		
25	17621032	1	Gasket Intake COV		
26	17424025G.1	3	Gasket Fuel Return (Genset)		
27	13824013	3	Injector Washer		
28	17621004	1	Gasket,Cylinder Head		
NS	12111006	1	O-Ring [NS]		
NS	13114002	1	Gasket [NS]		



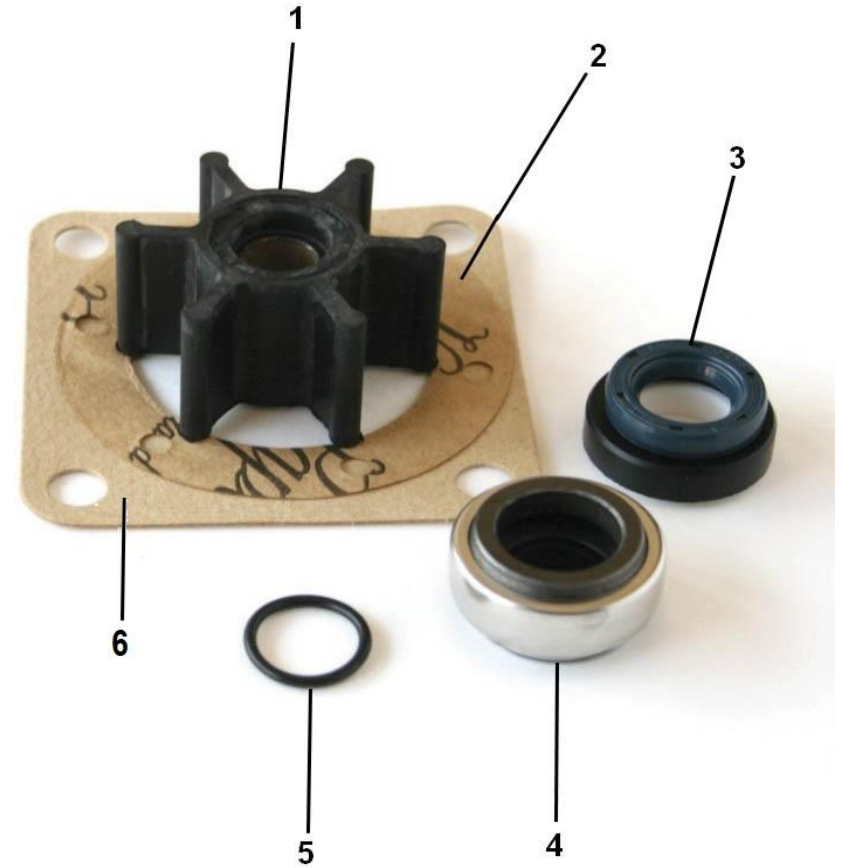
[NP] Not provided
 [NS] Not shown



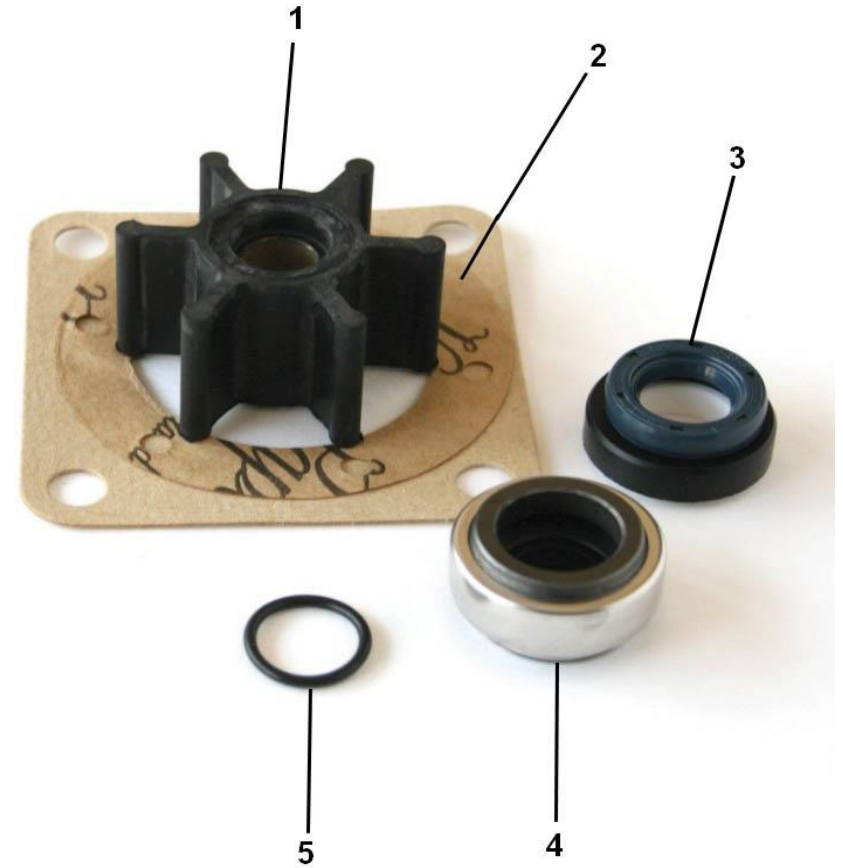
17611100.4		Pipe Rubber Set,Water Line 4 V.MINI-29				
FIG.	REF.	QTY	DESCR.	FROM	UPTO	
1	13811017	2	Pipe 28-38-80			
2	17611002	1	Pipe 28-38-110			
3	17611034	1	Hose			
4	M87501927	0,75	Water Intake Hose (HQ) D. 19-27			



37011200K		Repair Kit Water Pump 1/2"				
FIG.	REF.	QTY	DESCR.	FROM	UPTO	
1	31211008	1	1/2" Impeller			
2	31211003	1	Gasket Cover			
3	33411020	1	Seal			
4	33411019	1	Seal			
5	33311013	1	O-Ring D. 15X2			
6	13120047	1	Gasket Water Pump			



33811000K		Repair Kit Water Pump 1/2"				
FIG.	REF.	QTY	DESCR.	FROM	UPTO	
1	31211008	1	1/2" Impeller			
2	31211003	1	Gasket Cover			
3	33411020	1	Seal			
4	33411019	1	Seal			
5	33311013	1	O-Ring D. 15X2			
NS	17011007	1	O-Ring D. 57X3 [NS]			



[NS] Not shown



D_UTILFA0968_1		Special Tools				
FIG.	REF.	QTY	DESCR.	FROM	UPTO	
1	U30L9110010	1	Piston Pin Setting Tool			
2	13811063	1	Refrigerator Mounting Key			
3	UMM74007	1	Piston Ring Pliers			
4	UST332270	1	Compression Gauge Adapter			

